

Engine

MC Common Rail tier 3 (2007-2008) - MC01 - 115

MC01\00005987.PNG

A-05
01

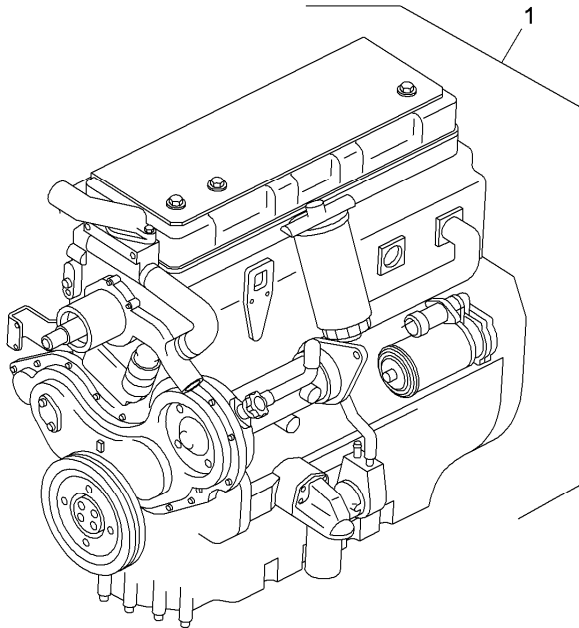


A0501

Engine assembly

Inglese

- 1 4212011M91 ● 4212011M92(1) 1 Engine
- Replacement Perkins nj38571



Engine

MC Common Rail tier 3 (2007-2008) - MC01 - 115

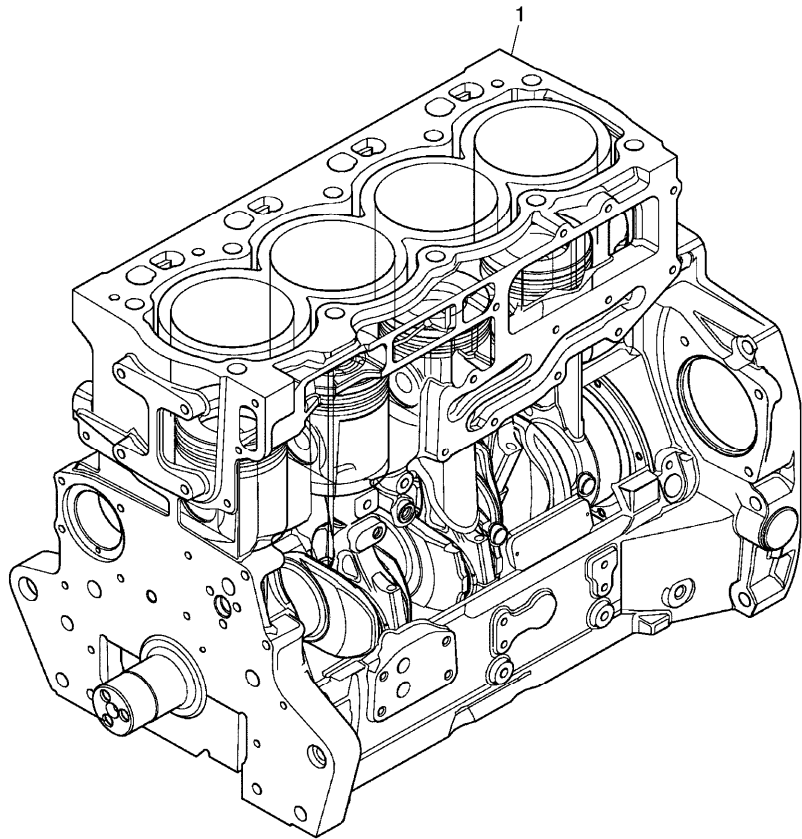
MC01\000015070.PNG

A-05
015



A05015

Short engine



Inglese

- | | | | | | |
|---|---------|--|----------------------------------|---|--------------|
| 1 | NH39872 | | U056074t | 1 | Short engine |
| | | | 3115A141(1), 32186146(3), NH4 | | |
| 1 | NH40030 | | U056075t | 1 | Short engine |

- From serial or engine number
- Up to serial or engine number
- Replacement

Engine

MC Common Rail tier 3 (2007-2008) - MC01 - 115

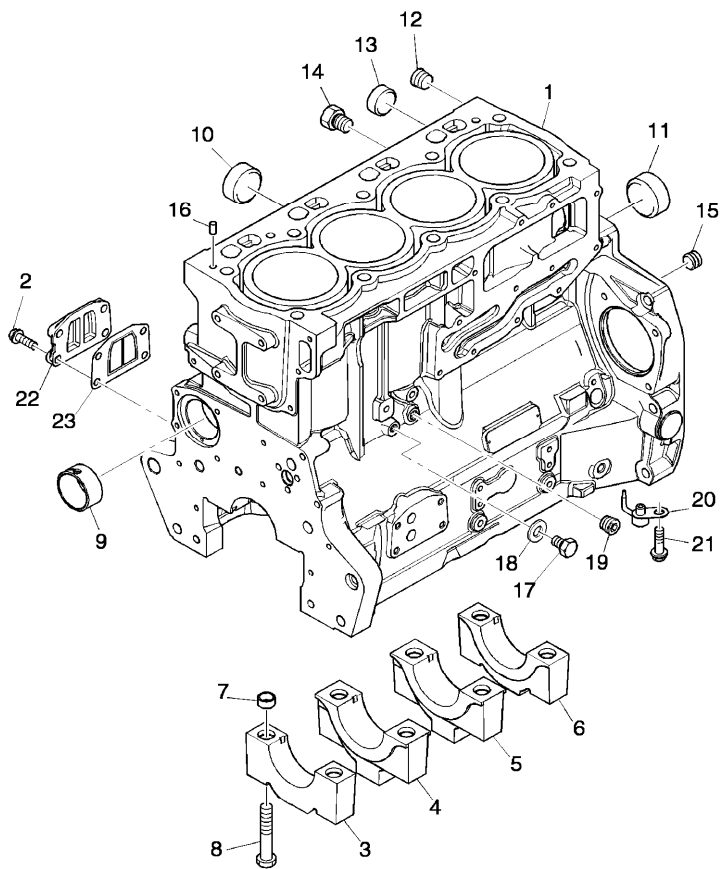
MC01\000022252.png

A-05
02



A0502

Cylinders block



- | | | | |
|----|----------|---|-------------|
| 1 | ZZ50318 | | |
| 2 | 2314H034 | ! | 1 |
| 3 | | ! | 1 |
| | | ➡ | Ref.n.1 |
| 4 | | ! | 1 |
| | | ➡ | Ref.n.1 |
| 5 | | ! | 1 |
| | | ➡ | Ref.n.1 |
| 6 | | ! | 1 |
| | | ➡ | Ref.n.1 |
| 7 | 33142111 | ! | 1 |
| 8 | 32166329 | ! | 1 |
| 9 | 3112D071 | ! | 1 |
| | | ● | 3112D075(1) |
| 10 | 3241A011 | ! | 1 |
| 11 | 3241A012 | ! | 1 |
| 12 | 0650588 | ! | 1 |
| 13 | 0650710 | ! | 1 |
| 14 | 32141316 | ! | 1 |
| 15 | 3212P008 | ! | 1 |
| 16 | 3244A009 | ! | 1 |
| 17 | 2314C049 | ! | 1 |
| 18 | 2415D053 | ! | 1 |
| 19 | 0650594 | ! | 1 |
| 20 | 2113A003 | ! | 1 |

Inglese

- | | |
|----|-------------|
| 1 | Block |
| 4 | Screw |
| 1 | Bearing cup |
| 1 | Bearing cup |
| 1 | Bearing cup |
| 1 | Bearing cup |
| 10 | Manicott |
| 10 | Screw |
| 1 | Bush |
| 2 | Plug |
| 1 | Plug |
| 1 | Plug |
| 1 | Plug |
| 1 | Plug |
| 2 | Dowel |
| 1 | Screw |
| 1 | Washer |
| 1 | Plug |
| 4 | Atomiser |

<https://www.ebooklibonline.com>

Hello dear friend!

Thank you very much for reading.

Enter the link into your browser.

The full manual is available for immediate download.

<https://www.ebooklibonline.com>

Engine

MC Common Rail tier 3 (2007-2008) - MC01 - 115

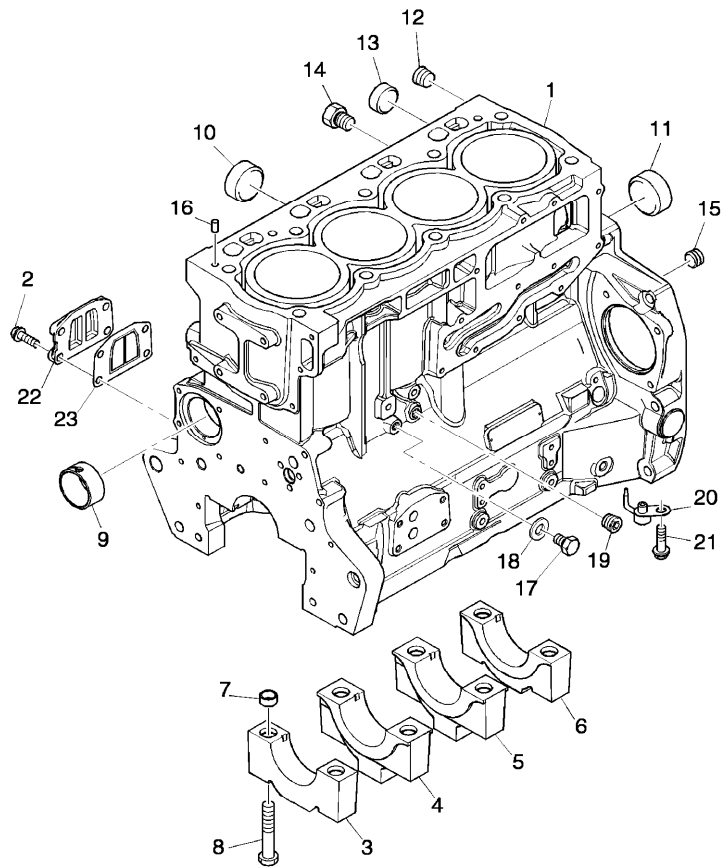
MC01\000022252.png

A-05
02



A0502

Cylinders block



Inglese

21 2314F001 ! 1

4 Screw

22 3753A071 ! 1

1 Coperch.

23 3688A041 ! 1

1 Gasket

! This is a component of an assembly

📄 Not serviced, order

🔧 Replacement

Engine

MC Common Rail tier 3 (2007-2008) - MC01 - 115

MC01\000015074.png

A-05
03



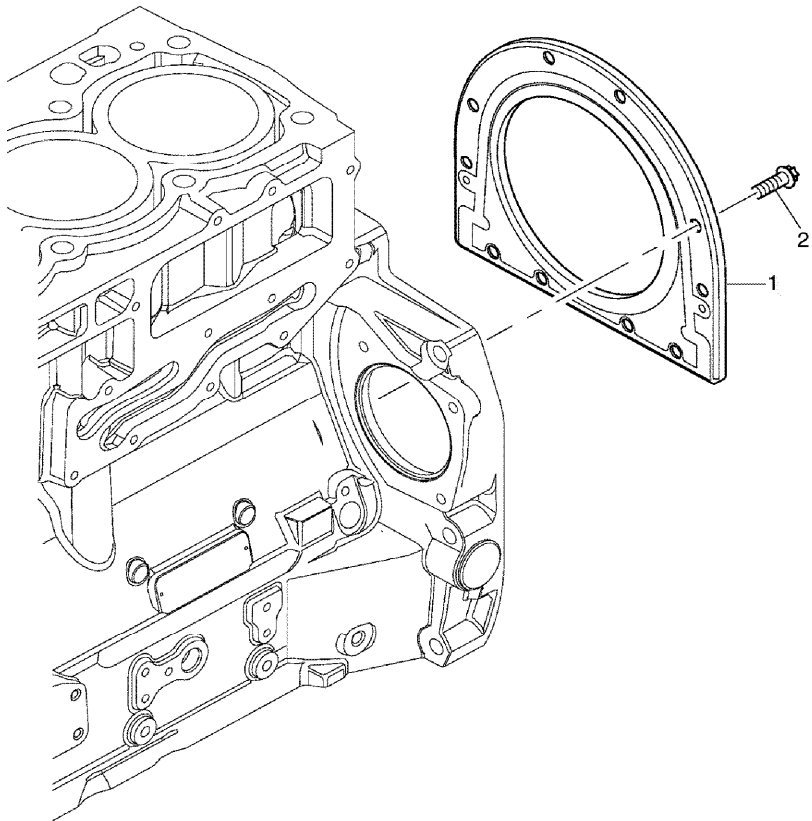
A0503

End cover

Inglese

- 1 2418F704
- 2 3211C002

- 1 Housing
- 10 Screw



Engine

MC Common Rail tier 3 (2007-2008) - MC01 - 115

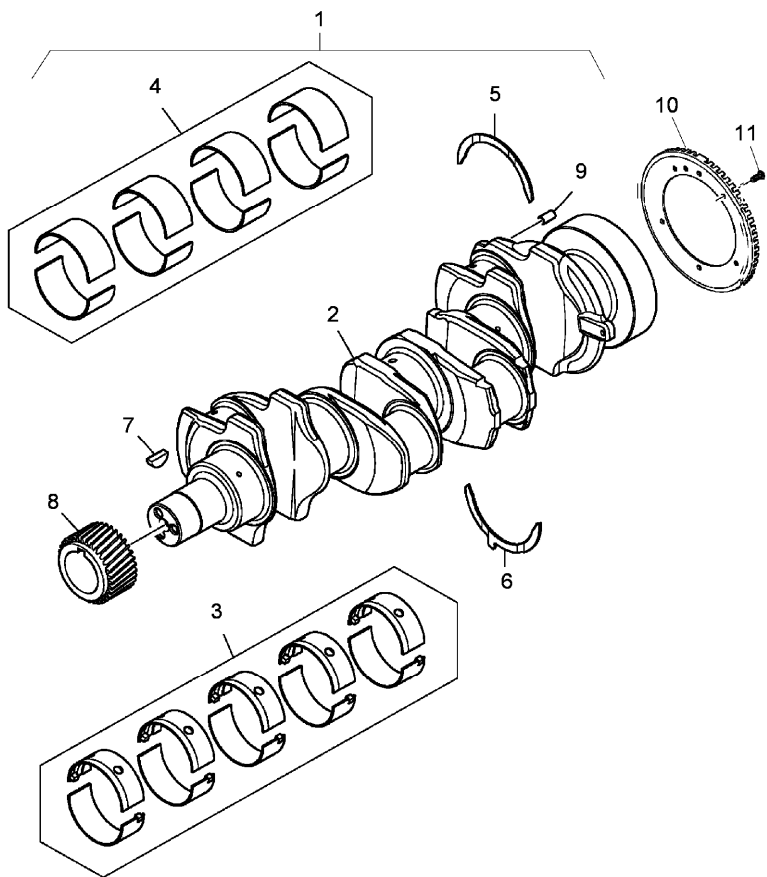
MC01\00006973.png

A-05
04



A0504

Crankshaft



Inglese

| | | | |
|---|---|--------------|--------------|
| - | ➔ | U056074t | |
| 1 | ● | ZZ90233 | 1 Shaft |
| 2 | ! | 1 | 1 Crankshaft |
| | ➔ | Ref.n.1 | |
| 3 | ! | U5MB0018 | 1 Kit |
| | ● | U5MB0033(1) | |
| 3 | ! | U5MB0018A | 1 Kit |
| | ⚡ | 0.010 mm | |
| | ● | U5MB0033A(1) | |
| 3 | ! | U5MB0018B | 1 Kit |
| | ⚡ | 0.020 mm | |
| | ● | U5MB0033B(1) | |
| 3 | ! | U5MB0018C | 1 Kit |
| | ⚡ | 0.030 mm | |
| | ● | N.L.A.(1) | |
| 4 | ! | T400002 | 1 Kit |
| | ➔ | U491477 t | |
| | ● | T410927(1) | |
| 4 | ! | U5ME0026 | 1 Kit |
| | ➔ | U491476 t | |
| | ● | U5ME0034(1) | |
| 4 | ! | U5ME0026A | 1 Kit |
| | ⚡ | 0.25 mm | |
| | ➔ | U491476 t | |
| | ● | U5ME0034A(1) | |

Engine

MC Common Rail tier 3 (2007-2008) - MC01 - 115

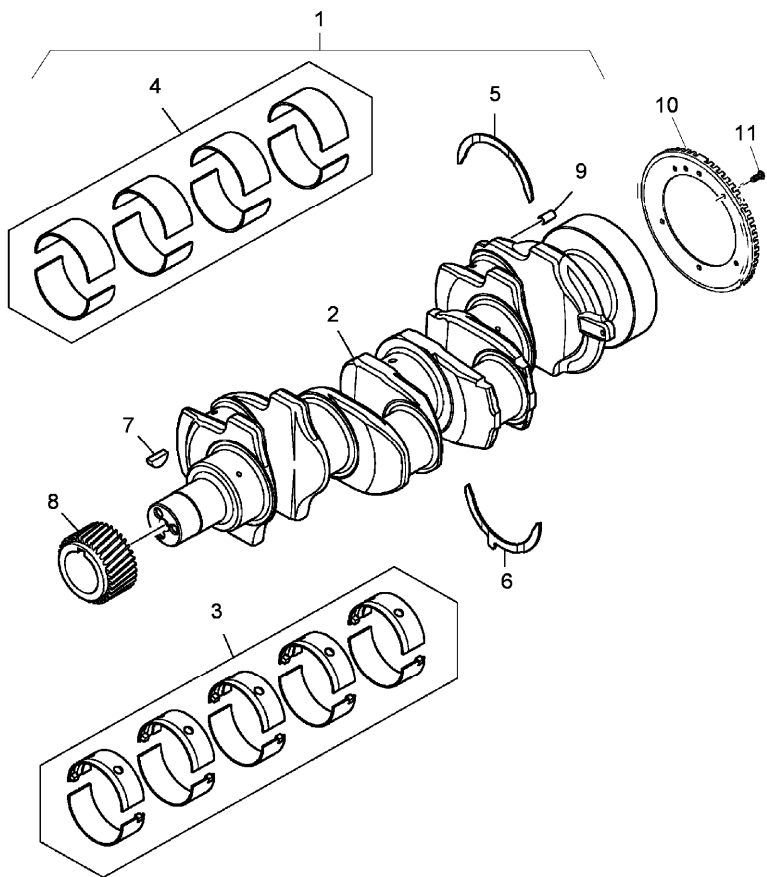
MC01\00006973.png

A-05
04



A0504

Crankshaft



| | | | | Inglese |
|----|------------------------------------|---|--------------|-----------------|
| 4 | U5ME0026B | ! | 1 | 1 Kit |
| | | ▲ | 0.50 mm | |
| | | ➔ | U491476 t | |
| 4 | U5ME0026C | ! | 1 | 1 Kit |
| | | ▲ | 0.75 mm | |
| | | ➔ | U491476 t | |
| | | ● | U5ME0034B(1) | |
| 5 | 31137312 | ! | 1 | 2 Ring |
| | | ▲ | 0.007 mm | |
| 5 | 31137551 | ! | 1 | 2 Washer |
| 6 | 31137322 | ! | 1 | 2 Ring |
| | | ▲ | 0.007 mm | |
| 6 | 31137561 | ! | 1 | 2 Washer |
| 7 | 0500012 | | | 1 Key |
| 8 | 3117C221 | | | 1 Gear |
| 9 | 3313A036 | ! | 1 | 1 Dowel |
| 10 | 3116L022 | | | 1 Change device |
| 11 | 2316T244 | | | 3 Screw |
| ! | This is a component of an assembly | | | |
| ➔ | From serial or engine number | | | |
| ➔ | Up to serial or engine number | | | |
| ➔ | Not serviced, order | | | |
| ▲ | Shim | | | |
| ● | Replacement | | | |

Engine

MC Common Rail tier 3 (2007-2008) - MC01 - 115

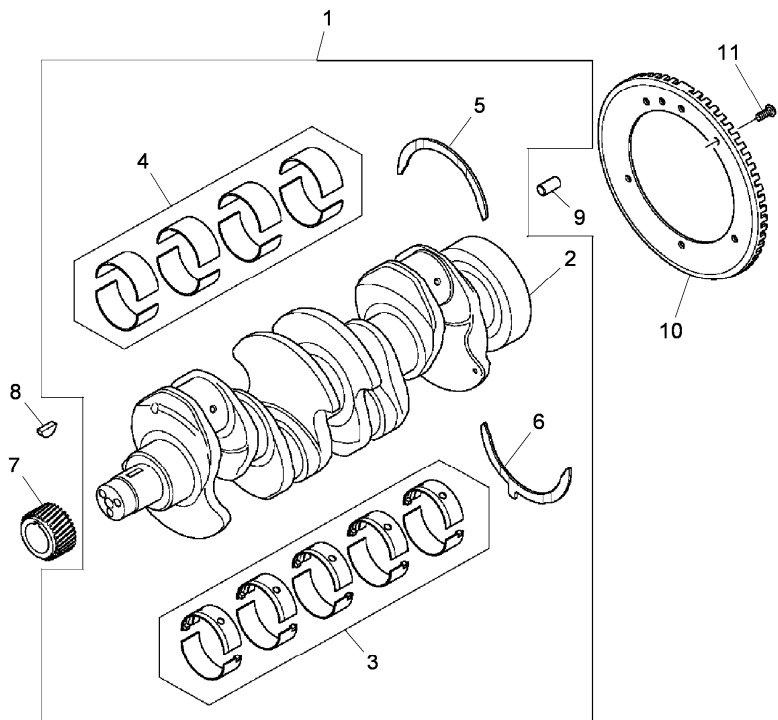
MC01\00008779.png

A-05
041



A05041

Crankshaft



Inglese

| | | | |
|----|------------------------------------|------------|-----------------|
| - | ➡ | U056075t | |
| 1 | | ZZ90241 | 1 Shaft |
| 2 | ! | 1 | 1 Crankshaft |
| 3 | ➡ | Ref.n.1 | |
| 3 | U5MB0033 | ! | 1 Kit |
| 3 | U5MB0033A | ! | 1 Kit |
| | ⚡ | -0,25 mm | |
| 3 | U5MB0033B | ! | 1 Kit |
| | ⚡ | -0,50 mm | |
| 3 | U5MB0033C | ! | 1 Kit |
| | ⚡ | -0,75 mm | |
| | ● | N.L.A.(1) | |
| 4 | T400002 | ! | 1 Kit |
| | ● | T410927(1) | |
| 5 | 31137312 | ! | 2 Ring |
| | ⚡ | 0.007 mm | |
| 5 | 31137551 | ! | 2 Washer |
| 6 | 31137322 | ! | 2 Ring |
| | ⚡ | 0.007 mm | |
| 6 | 31137561 | ! | 2 Washer |
| 7 | 3117C221 | | 1 Gear |
| 8 | 0500012 | | 1 Key |
| 9 | 3313A036 | | 1 Dowel |
| 10 | 3116L022 | | 1 Change device |
| 11 | 2316T244 | | 3 Screw |
| ! | This is a component of an assembly | | |

Engine

MC Common Rail tier 3 (2007-2008) - MC01 - 115





MC01\00008779.png

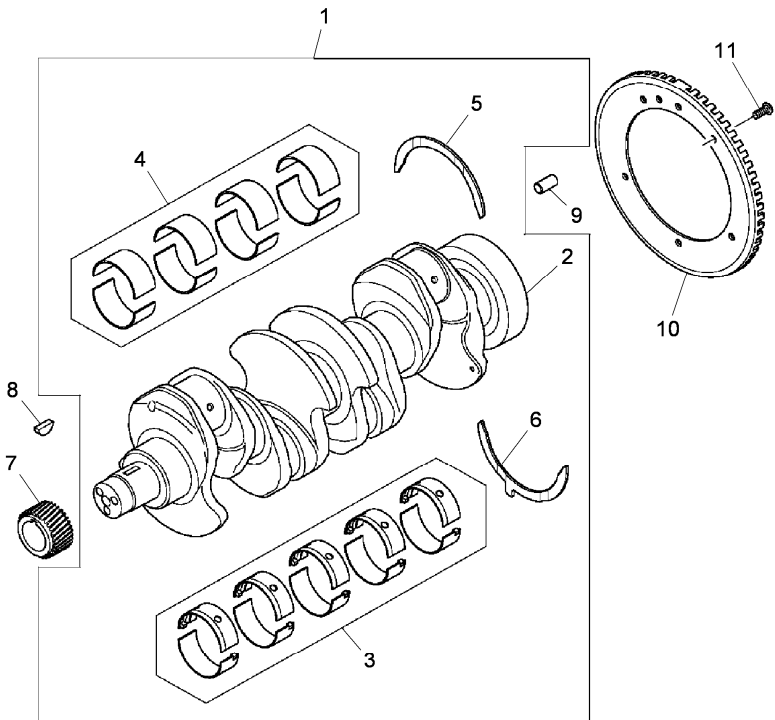
A-05
041



A05041

Crankshaft

-  From serial or engine number
-  Not serviced, order
-  Shim
-  Replacement



Engine

MC Common Rail tier 3 (2007-2008) - MC01 - 115

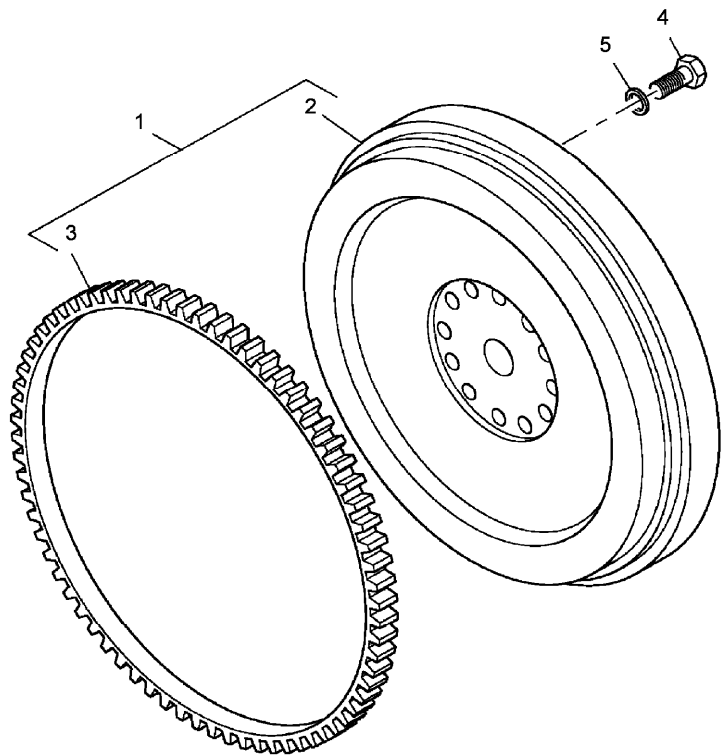
MC01\00006984.png

A-05
045



A05045

Flywheel



| | | Inglese | |
|---|----------|----------------|--------------|
| 1 | 4111D267 | ⊕ E-04 01 1 | 1 Flywheel |
| 2 | | ! 1 | 1 Flywheel |
| | | ➡ Ref.n.1 | |
| 3 | 0410236 | ! 1 | 1 Crownwheel |
| | | ● 3552228M1(1) | |
| 4 | 0096803 | ⊕ E-04 01 2 | 10 Screw |
| 5 | 33117127 | ⊕ E-04 01 3 | 10 Washer |

- ! This is a component of an assembly
- ⊕ See page - reference number
- ➡ Not serviced, order
- Replacement

Engine

MC Common Rail tier 3 (2007-2008) - MC01 - 115

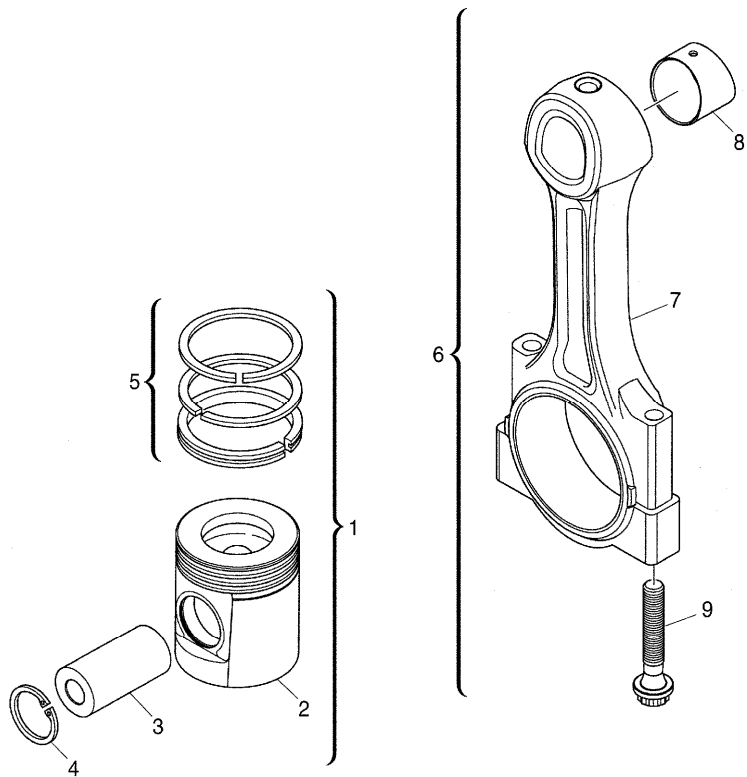
MC01\000020562.png

A-05
05



A0505

Pistons and connecting rods



| | | Inglese |
|---|---------------------|----------|
| 1 | U5PR0060 | 4 Kit |
| 2 | ! 1 | 1 Piston |
| | ➡ Ref.n.1 | |
| 3 | ! 1 | 1 Piston |
| | ➡ Ref.n.1 | |
| 4 | 2721332 ! 1 | 2 Ring |
| 5 | UPRK0005 ! 1 | 1 Kit |
| 6 | 4115C311 ➡ U056074t | 4 Kit |
| | A | |
| | T-A 14:0 | |
| 6 | 4115C312 ➡ U056074t | 4 Kit |
| | B | |
| | T-A 14:0 | |
| 6 | 4115C313 ➡ U056074t | 4 Kit |
| | C | |
| | T-A 14:0 | |
| 6 | 4115C314 ➡ U056074t | 4 Kit |
| | D | |
| | T-A 14:0 | |
| 6 | 4115C315 ➡ U056074t | 4 Kit |
| | E | |
| | T-A 14:0 | |
| 6 | 4115C316 ➡ U056074t | 4 Kit |
| | F | |
| | T-A 14:0 | |

Engine

MC Common Rail tier 3 (2007-2008) - MC01 - 115

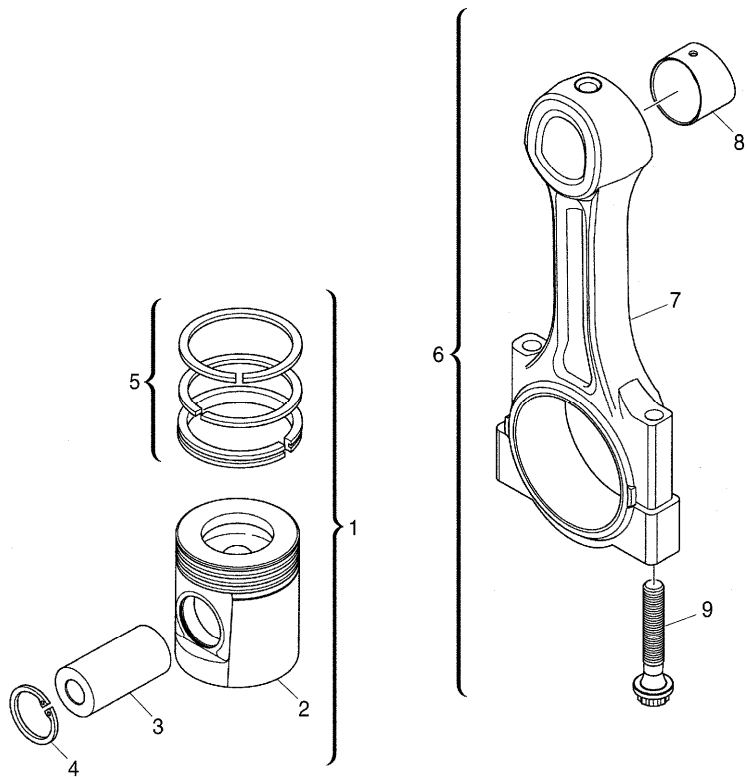
MC01\000020562.png

A-05
05



A0505

Pistons and connecting rods



| | | | | Inglese |
|-----|------------------------------------|-----|----------|----------|
| 6 | 4115C361 | ➡ | U056075t | 4 Conrod |
| | | | A | |
| 6 | 4115C362 | ➡ | U056075t | 4 Conrod |
| | | | B | |
| 6 | 4115C363 | ➡ | U056075t | 4 Conrod |
| | | | C | |
| 6 | 4115C364 | ➡ | U056075t | 4 Conrod |
| | | | D | |
| 6 | 4115C365 | ➡ | U056075t | 4 Conrod |
| | | | E | |
| 6 | 4115C366 | ➡ | U056075t | 4 Conrod |
| | | | F | |
| 7 | | ! | 6 | 1 Conrod |
| | | ➡ | Ref.n.6 | |
| 8 | 3112A005 | ! | 6 | 1 Bush |
| | | T-A | 14:0 | |
| 9 | 3212V003 | ! | 6 | 2 Screw |
| ! | This is a component of an assembly | | | |
| ➡ | From serial or engine number | | | |
| ➡ | Up to serial or engine number | | | |
| ➡ | Not serviced, order | | | |
| T-A | Replacement | | | |
| A | Red | | | |
| B | Orange | | | |
| C | White | | | |
| D | Green | | | |
| E | Purple | | | |
| F | Blue | | | |

Engine

MC Common Rail tier 3 (2007-2008) - MC01 - 115

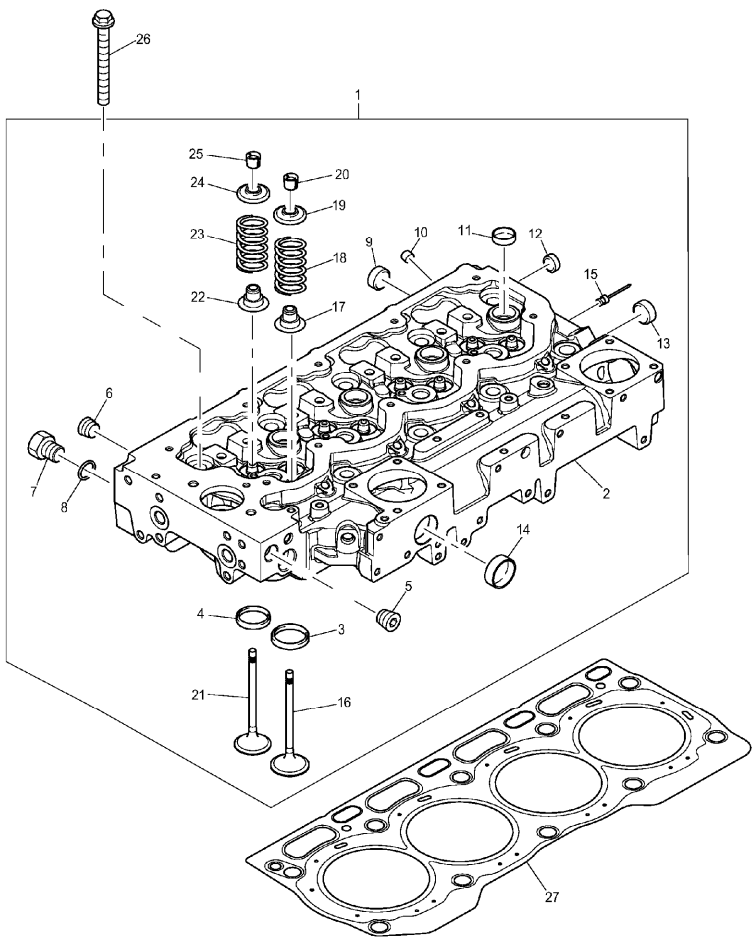
MC01\00006974.png

A-05
06



A0506

Cylinder head



1 ZZ80274

2

! 1

➡ Ref.n.1

3

! 1

➡ Ref.n.1

4

! 1

➡ Ref.n.1

5 2431154

! 1

6 2431154

! 1

7 3278A006

! 1

8 2415H003

! 1

9 2485A517

! 1

10 3241A201

! 1

11 2485A517

! 1

12 2485A509

! 1

13 2485A517

! 1

14 2485A524

! 1

15 2485A307

! 1

16 3142H091

! 1

17 2418M522

! 1

18 3174A028

! 1

19 3311A025

! 1

20 3142W005

! 1

21 3142A181

! 1

22 2418M522

! 1

Inglese

1 Cylinder head

1 Cylinder head

8 Insert

8 Insert

1 Plug

1 Plug

1 Plug

1 Ring

4 Plug

4 Plug

4 Plug

1 Plug

1 Plug

1 Plug

1 Plug

8 Valve

8 Valve

8 Spring

8 Coperch.

16 Collet

8 Valve

8 Valve

Engine

A-05
06

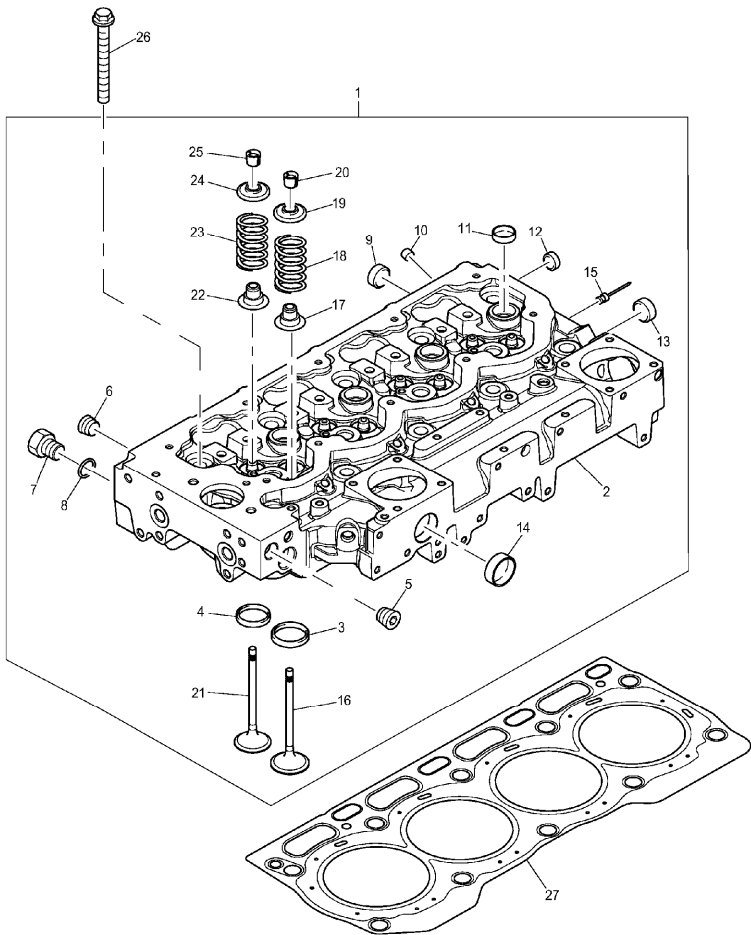
Cylinder head

MC Common Rail tier 3 (2007-2008) - MC01 - 115



A0506

MC01\00006974.png



- 23 3174A028 ! 1
- 24 3311A025 ! 1
- 25 3142W005 ! 1
- 26 3218A011
- 27 3681E074

Inglese

- 8 Spring
- 8 Coperch.
- 16 Collet
- 10 Screw
- 1 Gasket

- ! This is a component of an assembly
- 🔧 Not serviced, order

Engine

MC Common Rail tier 3 (2007-2008) - MC01 - 115

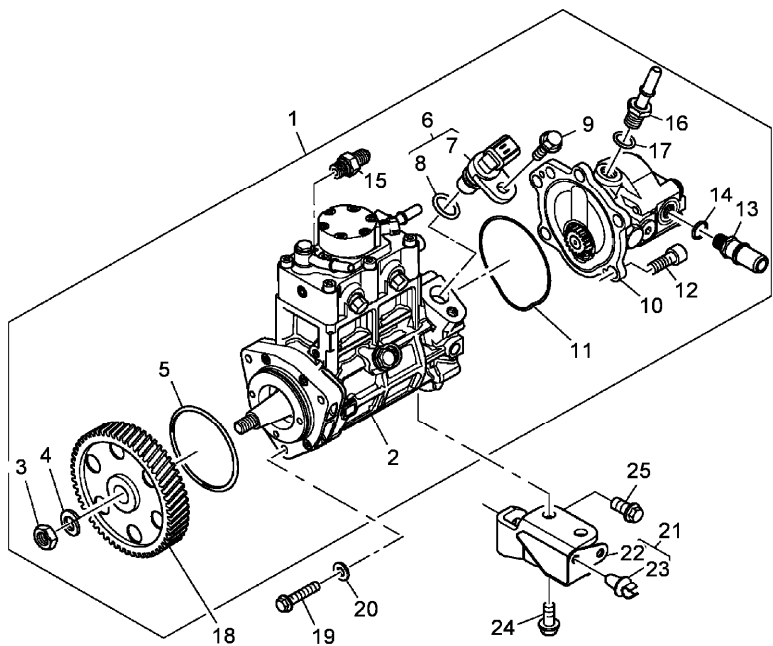
MC01\00006979.png

A-05
07



A0507

Injection pump assy



26
ANTI CONTAMINATION KIT
KIT DE PROTECTION
SCHUTZSATZ
KIT PROTEZIONE
EQUIPO DE PROTECCION

| | | Inglese |
|----|--------------|--------------|
| - | ➔ U001673p | |
| 1 | 2641A405 | 1 Pump |
| 2 | ! | 1 Pump |
| 3 | 2318A108 | 1 Nut |
| 4 | K134AF01 | 1 Washer |
| 5 | 2415H531 | 1 O ring |
| 6 | U5MK1086 | 1 Sensor |
| | A | |
| 7 | ! | 6 |
| | ➔ Ref.n.6 | |
| 8 | 2415H524 | 1 Gasket |
| 9 | 2314H002 | 1 Screw |
| 10 | 2641A307 | 1 Lift |
| | ● T400392(1) | |
| 11 | 2415H528 | 1 Ring |
| 12 | 2311D060 | 5 Screw |
| 13 | 3355A028 | 1 Connection |
| 14 | 2415H221 | 1 Ring |
| 15 | 2441A601 | 1 Connection |
| 16 | 3355A038 | 1 Connection |
| 17 | 2415H221 | 1 Ring |
| 18 | 3117L261 | 1 Pinion |
| 19 | 2314H004 | 3 Screw |
| 20 | 2411D008 | 3 Washer |
| 21 | 4141A188 | 1 Stirrup |

Engine

MC Common Rail tier 3 (2007-2008) - MC01 - 115

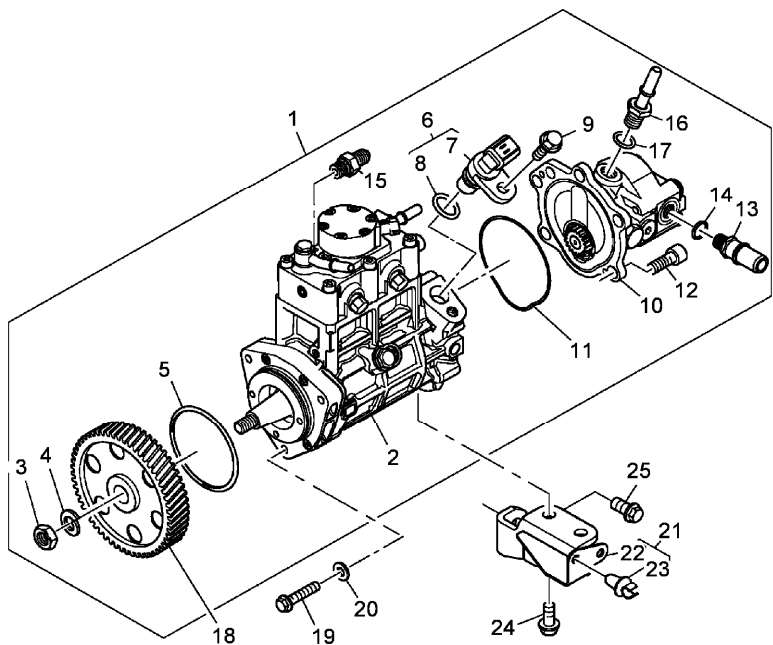
MC01\00006979.png

A-05
07



A0507

Injection pump assy



26
ANTI CONTAMINATION KIT
KIT DE PROTECTION
SCHUTZSATZ
KIT PROTEZIONE
EQUIPO DE PROTECCION

- 22 ! 21
- ➡ Ref.n.21
- 23 2481D558 ! 21
- 24 2314H002
- 25 2314J002
- 26 U5MK1124
- ! This is a component of an assembly
- ➡ From serial or engine number
- ➡ Not serviced, order
- Replacement
- A Speed

Inglese

- 1 Stirrup
- 2 Clip
- 2 Screw
- 1 Screw
- 1 Kit

Engine

A-05
075

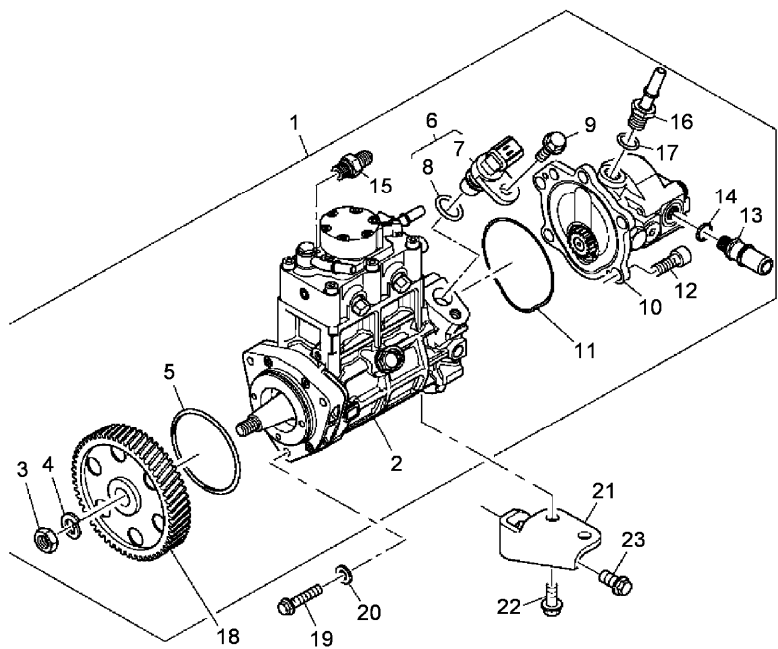
Injection pump assy

MC Common Rail tier 3 (2007-2008) - MC01 - 115



A05075

MC01\00008783.png



24
ANTI CONTAMINATION KIT
KIT DE PROTECTION
SCHUTZSATZ
KIT PROTEZIONE
EQUIPO DE PROTECCION

Inglese

| | | | |
|----|---|------------|--------------|
| - | ➔ | U001672p | |
| 1 | | 2641A405 | 1 Pump |
| 2 | ! | | 1 Pump |
| 3 | ! | 2318A108 | 1 Nut |
| 4 | ! | K134AF01 | 1 Washer |
| 5 | ! | 2415H531 | 1 O ring |
| 6 | ! | U5MK1086 | 1 Sensor |
| | A | | |
| 7 | ! | | 1 Sensor |
| | ➔ | Ref.n.6 | |
| 8 | ! | 2415H524 | 1 Gasket |
| 9 | ! | 2314H002 | 1 Screw |
| 10 | ! | 2641A307 | 1 Lift |
| | ● | T400392(1) | |
| 11 | ! | 2415H528 | 1 Ring |
| 12 | ! | 2311D060 | 5 Screw |
| 13 | ! | 3355A028 | 1 Connection |
| 14 | ! | 2415H221 | 1 Ring |
| 15 | ! | 2441A601 | 1 Connection |
| 16 | | 3355A038 | 1 Connection |
| 17 | ! | 2415H221 | 1 Ring |
| 18 | | 3117L261 | 1 Pinion |
| 19 | | 2314H004 | 3 Screw |
| 20 | | 2411D008 | 3 Washer |
| 21 | | 3656A026 | 1 Stirrup |

Engine

MC Common Rail tier 3 (2007-2008) - MC01 - 115

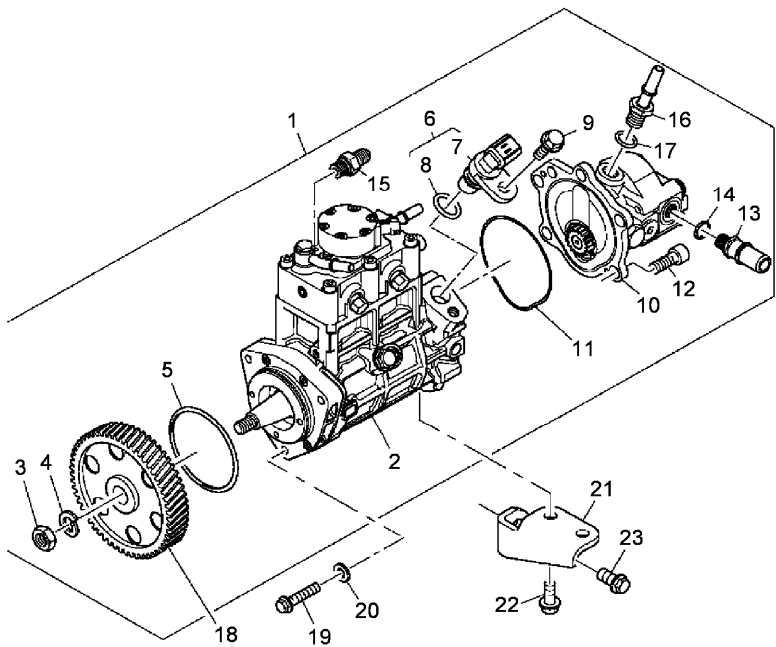
MC01\00008783.png

A-05
075



A05075

Injection pump assy



24
ANTI CONTAMINATION KIT
KIT DE PROTECTION
SCHUTZSATZ
KIT PROTEZIONE
EQUIPO DE PROTECCION

Inglese

- 22 2314H002 2 Screw
- 23 2314J002 1 Screw
- 24 U5MK1124 1 Kit

- ! This is a component of an assembly
- ➔ Up to serial or engine number
- 📄 Not serviced, order
- Replacement
- A Speed

Engine

MC Common Rail tier 3 (2007-2008) - MC01 - 115

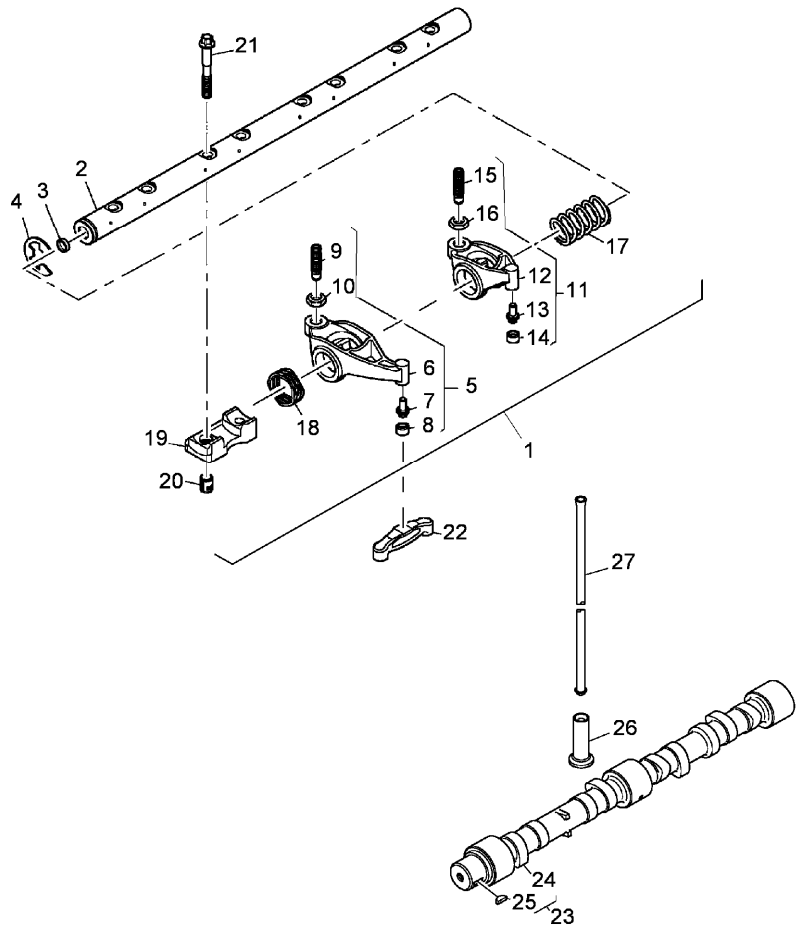
MC01\00006975.png

A-05
08



A0508

Rocker shaft



| | | | Inglese |
|----|----------|------------|----------|
| 1 | 4115R819 | | 1 Rocker |
| 2 | | ! 1 | 1 Shaft |
| | | ➡ Ref.n.1 | |
| 3 | 2485A105 | ! 1 | 2 Plug |
| 4 | 2727A015 | ! 1 | 1 Ring |
| 5 | 4115R317 | ! 1 | 4 Rocker |
| 6 | | ! 5 | 1 Rocker |
| | | ➡ Ref.n.5 | |
| 7 | | ! 5 | 1 Insert |
| | | ➡ Ref.n.5 | |
| 8 | | ! 5 | 1 Pad |
| | | ➡ Ref.n.5 | |
| 9 | 3211C004 | ! 5 | 1 Screw |
| 10 | 3331A004 | ! 5 | 1 Nut |
| 11 | 4115R316 | ! 1 | 4 Rocker |
| 12 | | ! 11 | 1 Rocker |
| | | ➡ Ref.n.11 | |
| 13 | | ! 11 | 1 Insert |
| | | ➡ Ref.n.11 | |
| 14 | | ! 11 | 1 Pad |
| | | ➡ Ref.n.11 | |
| 15 | 3211C004 | ! 11 | 1 Screw |
| 16 | 3331A004 | ! 11 | 1 Nut |
| 17 | 3174A023 | ! 1 | 3 Spring |
| 18 | 3174A024 | ! 1 | 1 Spring |

Engine

MC Common Rail tier 3 (2007-2008) - MC01 - 115

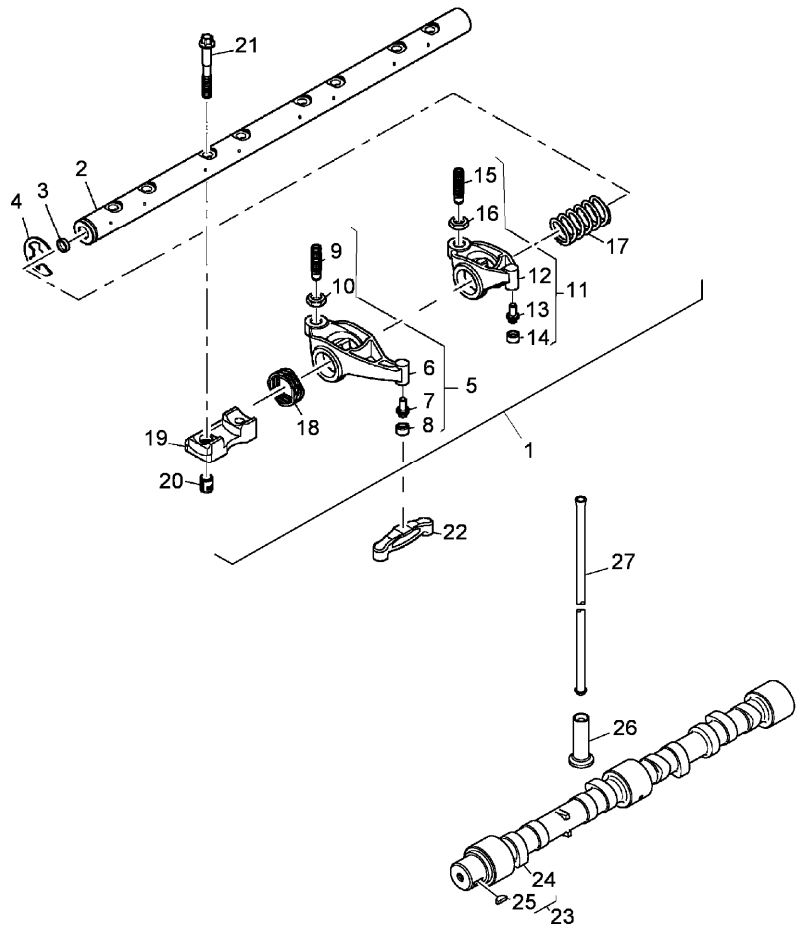
MC01\00006975.png

A-05
08



A0508

Rocker shaft



| | | | |
|----|----------|---|----------|
| 19 | 3818X161 | ! | 1 |
| 20 | 3241A024 | ! | 1 |
| 21 | 3218A201 | ! | 1 |
| 22 | 4116A002 | | |
| 23 | 4112K026 | | |
| 24 | | ! | 23 |
| | | ➡ | Ref.n.23 |
| 25 | 0500012 | ! | 23 |
| 26 | 3142U061 | | |
| 27 | 3142V011 | | |

! This is a component of an assembly
➡ Not serviced, order

Inglese

| | |
|---|----------|
| 4 | Pedestal |
| 4 | Retainer |
| 8 | Screw |
| 8 | Stirrup |
| 1 | Shaft |
| 1 | Shaft |
| 1 | Key |
| 8 | Tappet |
| 8 | Rod |

Engine

MC Common Rail tier 3 (2007-2008) - MC01 - 115

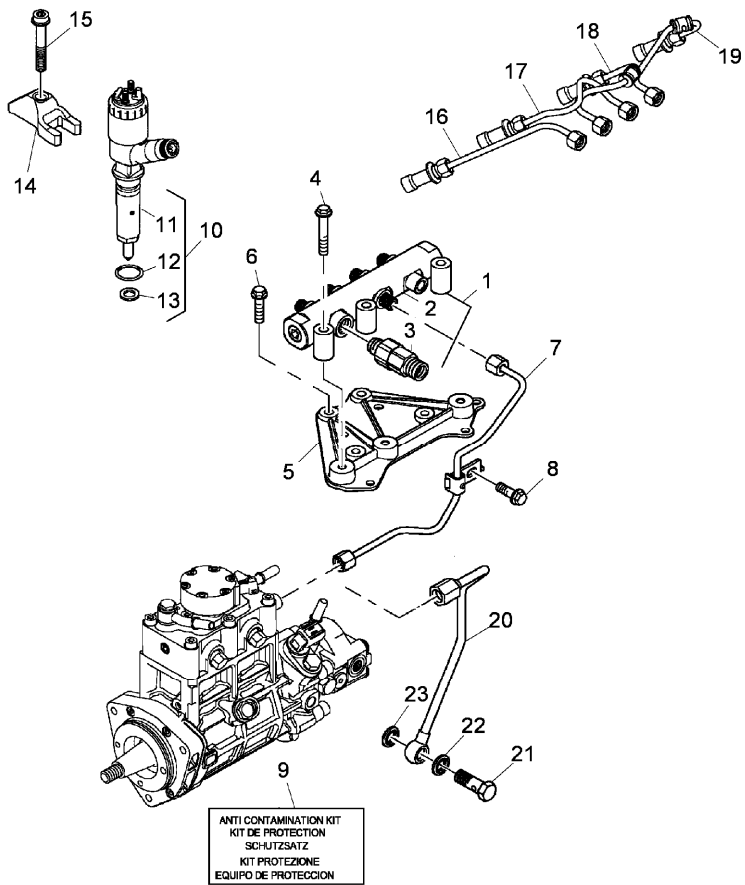
MC01\00006980.png

A-05
09



A0509

Fuel injection equipment (diesel)



| | | Inglese |
|----|--------------|------------|
| 1 | 3774A413 | 1 Manifold |
| 2 | ! | 1 Manifold |
| | ➡ Ref.n.1 | |
| 3 | 2658A301 | 1 Valve |
| | ● T417873(1) | |
| 4 | 2314H010 | 3 Screw |
| 5 | 3812A351 | 1 Stirrup |
| 6 | 2314H006 | 4 Screw |
| 7 | 3525A217 | 1 Pipe |
| 8 | 2314H002 | 1 Screw |
| 9 | U5MK1124 | 1 Kit |
| 10 | 2645A747 | 4 Nozzle |
| 11 | ! | 1 Nozzle |
| | ➡ Ref.n.10 | |
| 12 | 2415H014 | 1 Ring |
| 13 | 2415D154 | 1 Washer |
| | ➡ Ref.n.10 | |
| 14 | 3751A331 | 4 Clamp |
| 15 | 3218A016 | 4 Screw |
| 16 | 3525A211 | 1 Pipe |
| 17 | 3525A212 | 1 Pipe |
| 18 | 3525A222 | 1 Pipe |
| 19 | 3525A223 | 1 Pipe |
| 20 | 3552A039 | 1 Pipe |
| 21 | 3218R044 | 1 Bolt |

Engine

MC Common Rail tier 3 (2007-2008) - MC01 - 115

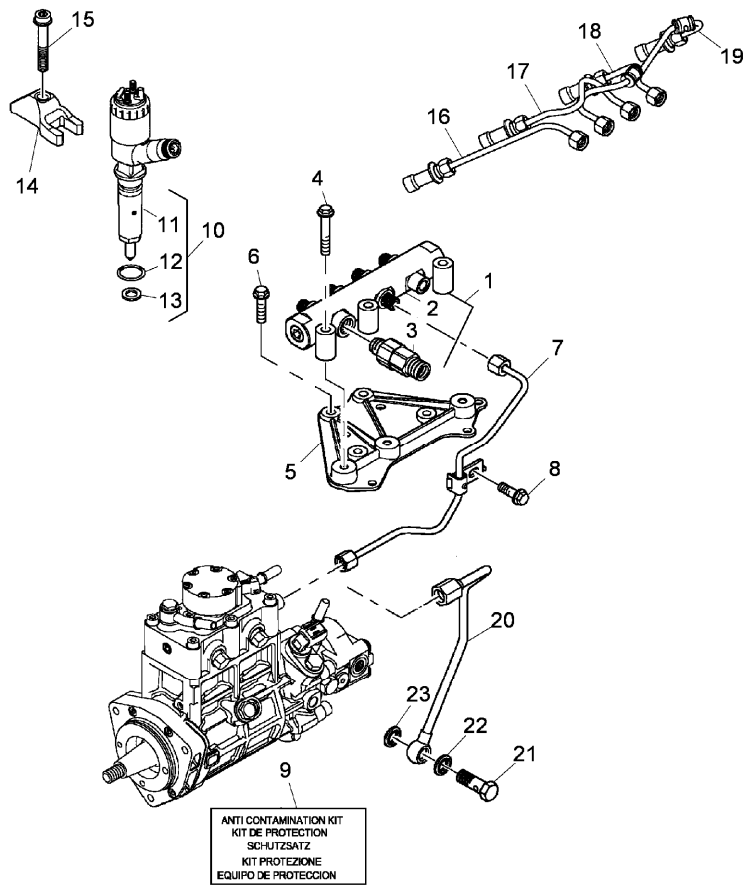
MC01\00006980.png

A-05
09



A0509

Fuel injection equipment (diesel)



22 2415D002

23 2415D002

! This is a component of an assembly

▣ Not serviced, order

● Replacement

Inglese

1 Washer

1 Washer

Engine

MC Common Rail tier 3 (2007-2008) - MC01 - 115

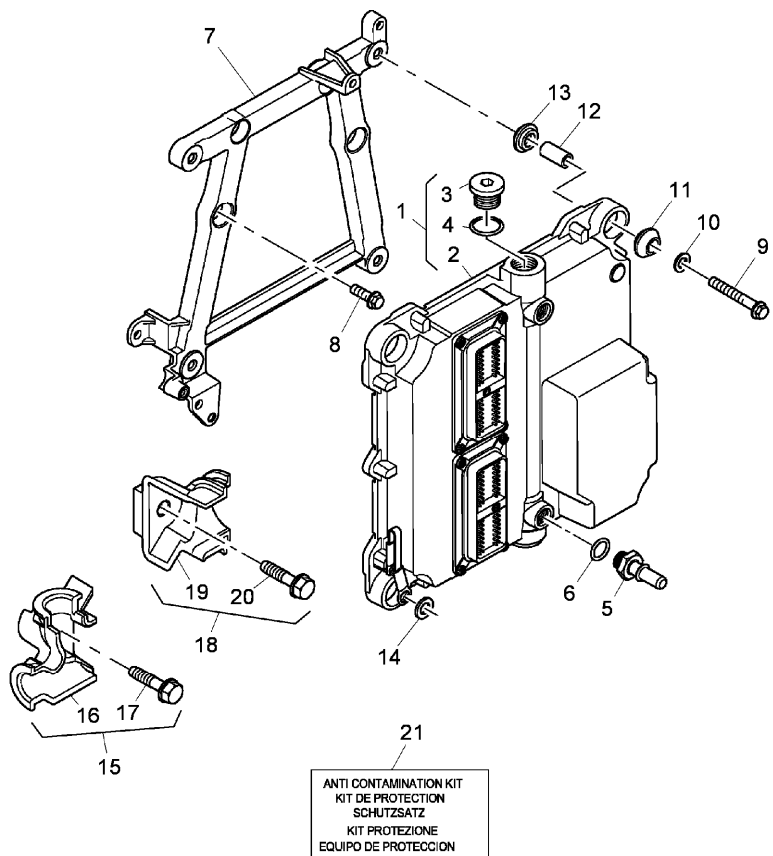
MC01\00006981.png

**A-05
095**



A05095

Engine control module



ANTI CONTAMINATION KIT
KIT DE PROTECCION
SCHUTZSATZ
KIT PROTEZIONE
EQUIPO DE PROTECCION

- | | | | |
|----|----------|---|-----------|
| 1 | 28170119 | ● | N.L.S.(1) |
| 2 | | ! | 1 |
| | | ➡ | Ref.n.1 |
| 3 | | ! | 1 |
| | | ➡ | Ref.n.1 |
| 4 | 2415H015 | ! | 1 |
| 5 | 3355A021 | | |
| 6 | 2415H011 | | |
| 7 | 3812A051 | | |
| 8 | 2314H033 | | |
| 9 | 2314H039 | | |
| 10 | 3311A015 | | |
| 11 | 2634C501 | | |
| 12 | 3313A027 | | |
| 13 | 2634C501 | | |
| 14 | 2131A008 | | |
| 15 | 4175A005 | | |
| 16 | | ! | 15 |
| | | ➡ | Ref.n.15 |
| 17 | 2314E949 | ! | 15 |
| 18 | 4175A006 | | |
| 19 | | ! | 18 |
| | | ➡ | Ref.n.18 |
| 20 | 2314E949 | ! | 18 |
| 21 | U5MK1124 | | |

Inglese

- | | |
|---|-------------------------|
| 1 | Electr.contr.unit |
| 1 | Electronic unit control |
| 2 | Plug |
| 2 | Ring |
| 2 | Connection |
| 2 | Ring |
| 1 | Stirrup |
| 4 | Screw |
| 4 | Screw |
| 5 | Washer |
| 4 | Support |
| 4 | Spacer |
| 4 | Support |
| 1 | Washer |
| 1 | Clip |
| 1 | Stop |
| 1 | Screw |
| 1 | Clip |
| 1 | Stop |
| 1 | Screw |
| 1 | Kit |



Suggest:

For more complete manuals. Please go to the home page.

<https://www.ebooklibonline.com>

If the above button click is invalid. Please download this document first, and then click the above link to download the complete manual.

Thank you so much for reading

Engine

A-05
095

Engine control module

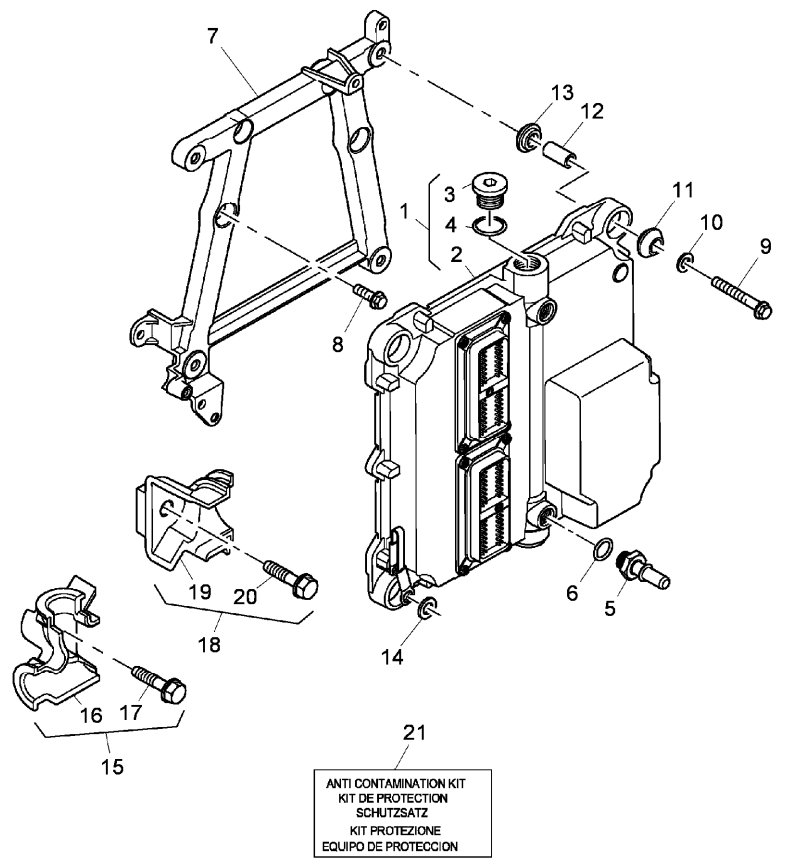
MC Common Rail tier 3 (2007-2008) - MC01 - 115



A05095

MC01\00006981.png

- ! This is a component of an assembly
- Not serviced, order
- Replacement



ANTI CONTAMINATION KIT
 KIT DE PROTECCION
 SCHUTZSATZ
 KIT PROTEZIONE
 EQUIPO DE PROTECCION

Engine

MC Common Rail tier 3 (2007-2008) - MC01 - 115

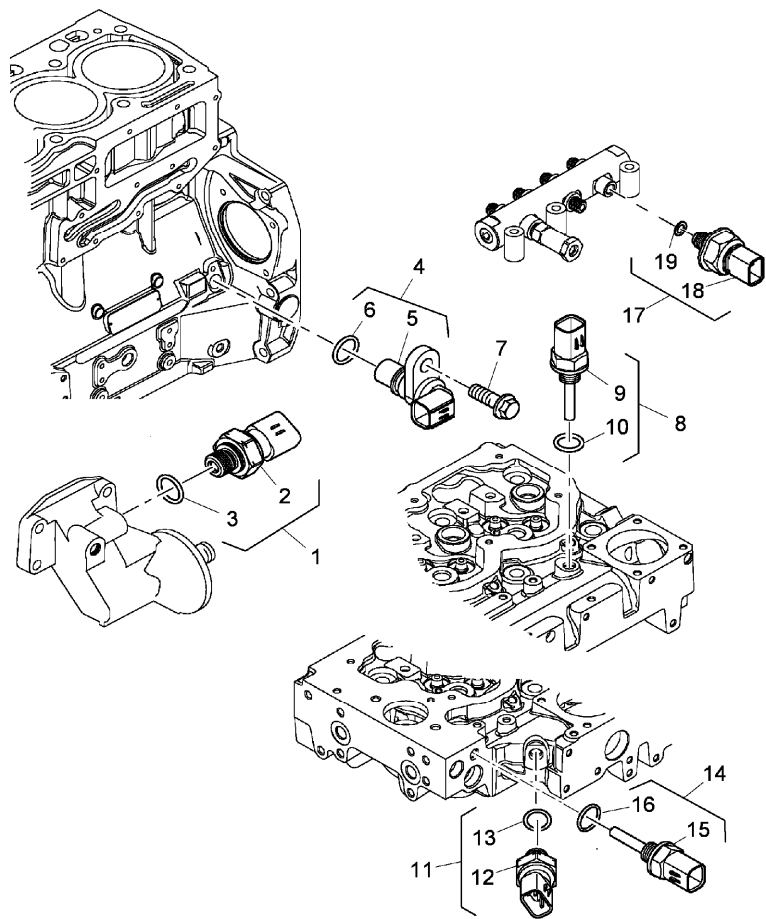
A-05
10



A0510

Sensors

MC01\00006983.png



| | | | Inglese |
|----|----------|---|----------|
| 1 | U5MK1088 | A | 1 Sensor |
| 2 | | ! | 1 Sensor |
| | | ➡ | Ref.n.1 |
| 3 | 2415H002 | ! | 1 Ring |
| 4 | U5MK1234 | B | 1 Sensor |
| 5 | | ! | 1 Sensor |
| | | ➡ | Ref.n.4 |
| 6 | 2415H014 | ! | 1 Ring |
| 7 | 2314H002 | | 1 Screw |
| 8 | U5MK1089 | C | 1 Sensor |
| 9 | | ! | 1 Sensor |
| | | ➡ | Ref.n.8 |
| 10 | 2415H523 | ! | 1 Ring |
| 11 | U5MK1090 | D | 1 Sensor |
| 12 | | ! | 1 Sensor |
| | | ➡ | Ref.n.11 |
| 13 | 2415H001 | ! | 1 Gasket |
| 14 | U5MK1091 | E | 1 Sensor |
| 15 | | ! | 1 Sensor |
| | | ➡ | Ref.n.14 |
| 16 | 2415H002 | ! | 1 Ring |
| 17 | U5MK1236 | F | 1 Sensor |
| 18 | | ! | 1 Sensor |
| | | ➡ | Ref.n.17 |
| 19 | 3311A053 | ! | 1 Washer |

<https://www.ebooklibonline.com>

Hello dear friend!

Thank you very much for reading.

Enter the link into your browser.

The full manual is available for immediate download.

<https://www.ebooklibonline.com>