

Engine

G-MAX Tier 3 New Cab (2012-) - RP75 - 165

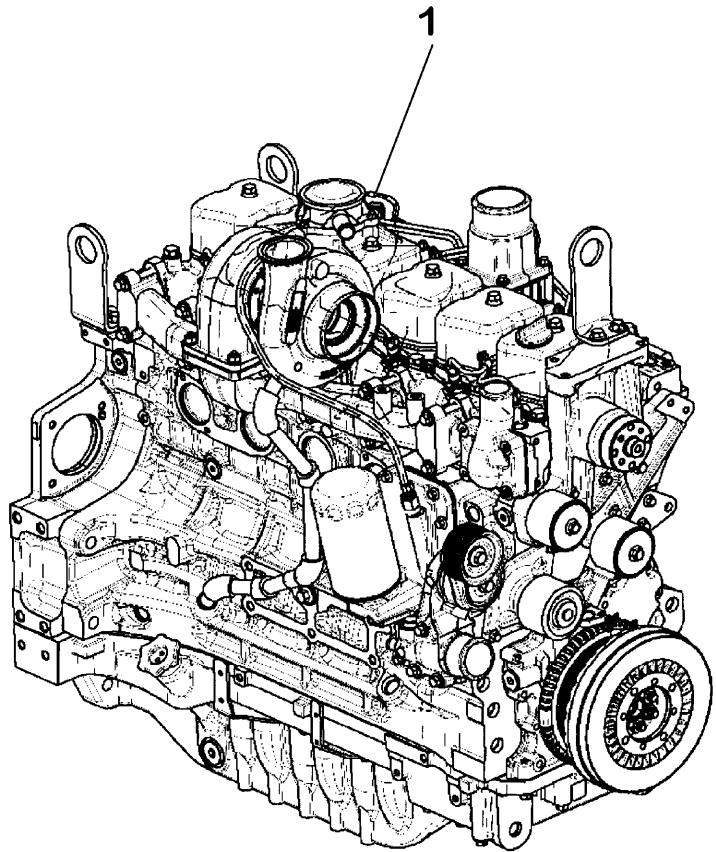
RP75\00005363.png

A-05
01



A0501

Engine assembly



- | | | Inglese |
|---|------------------------------|----------|
| 1 | 3691627M91 ● 3691627M92(1) | 1 Engine |
| | "tier 3" - 116 kw | |
| 1 | 6511062M91 "tier 3" - 116 kw | 1 Engine |
| | A | |
| | B | |
| | C | |
| ● | Replacement | |
| A | Flexibility engine | |
| B | For market "cee" | |
| C | For market "n.a.o." | |

Engine

G-MAX Tier 3 New Cab (2012-) - RP75 - 165

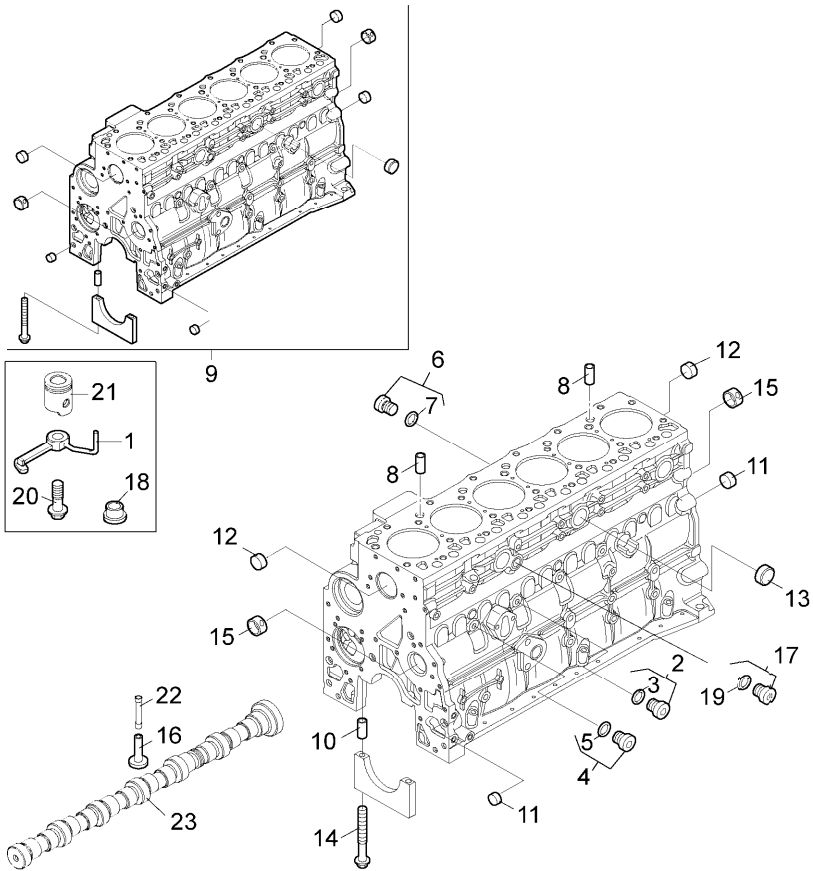
RP75\00006029.png

A-05
02



A0502

Crankcase



Inglese

- | | | | |
|----|-----------|---|--|
| 1 | 3689030M1 | | 6 Jet |
| 2 | 3689350M1 | ● | 1 Plug
M14x1,5 |
| 3 | 3688868M1 | | 1 O ring |
| 4 | 3688822M1 | ● | 3 Plug
M10x1 |
| 5 | 3688855M1 | | 3 O ring |
| 6 | 3688780M1 | ● | 3 Plug
Assy m18x1,5 |
| 7 | 3688781M1 | ● | 3 O ring |
| 8 | 3688760M1 | | 2 Screw |
| 9 | 3688625M1 | | 1 Crankcase |
| 10 | 3688824M1 | ● | 14 Dowel pin |
| 11 | 3688758M1 | | 2 Plug
17,73x6,35x1,07 |
| 12 | 3688757M1 | | 6 Plug
58,06x8,25x1,52 |
| 13 | 3688775M1 | | 3 Plug
35,23x7,94x1,52 |
| 14 | 3688673M1 | ● | 14 Screw
M12x120 mm |
| 15 | 3688759M1 | | 2 Bearing |
| 16 | 704803A1 | | 1 Register |
| 17 | 3688800M1 | ● | 1 Plug
M16x1,5 mm assy |
| 18 | 3688628M1 | | 1 Splasher |
| 19 | 3688994M1 | ⊗ | 1 Toroidal seal
=2,6 mm
Ø13,9 mm |

Engine

G-MAX Tier 3 New Cab (2012-) - RP75 - 165

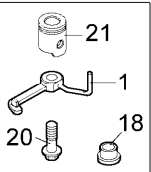
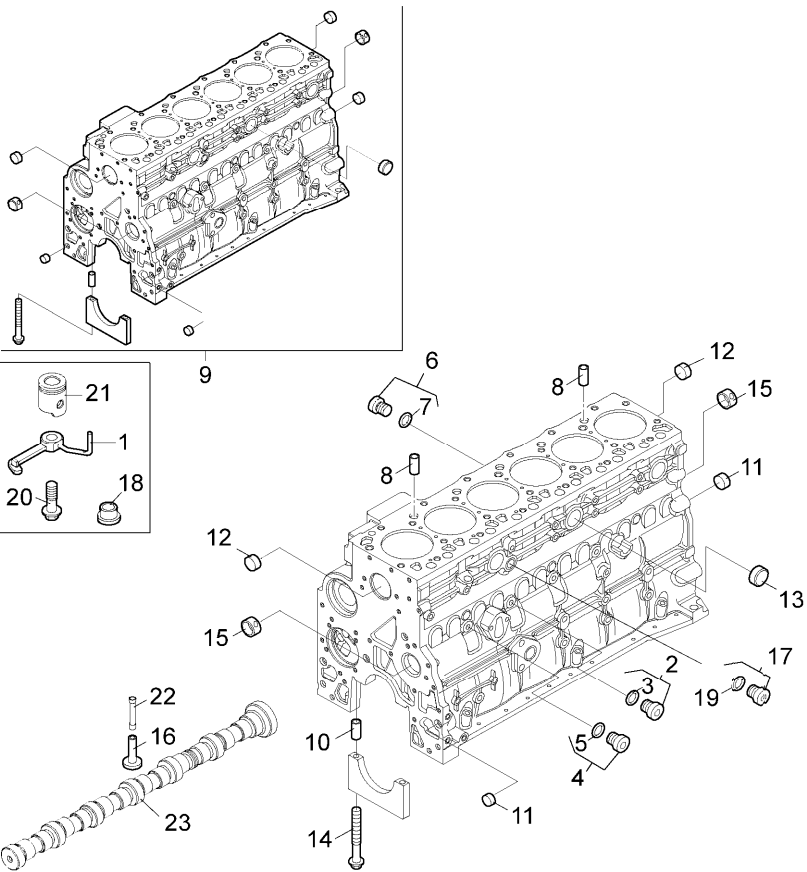
A-05
02



A0502

Crankcase

RP75\00006029.png



Inglese

- 20 3688692M1 M8x1,25
 - 21 A-05 13 5
 - 22 A-05 08 2
 - 23 A-05 15 1
 - See page - reference number
 - Shim
 - Replacement
- 6 Filler
 - 1 Piston
 - 1 Rod
 - 1 Camshaft

<https://www.ebooklibonline.com>

Hello dear friend!

Thank you very much for reading.

Enter the link into your browser.

The full manual is available for immediate download.

<https://www.ebooklibonline.com>

Engine

G-MAX Tier 3 New Cab (2012-) - RP75 - 165

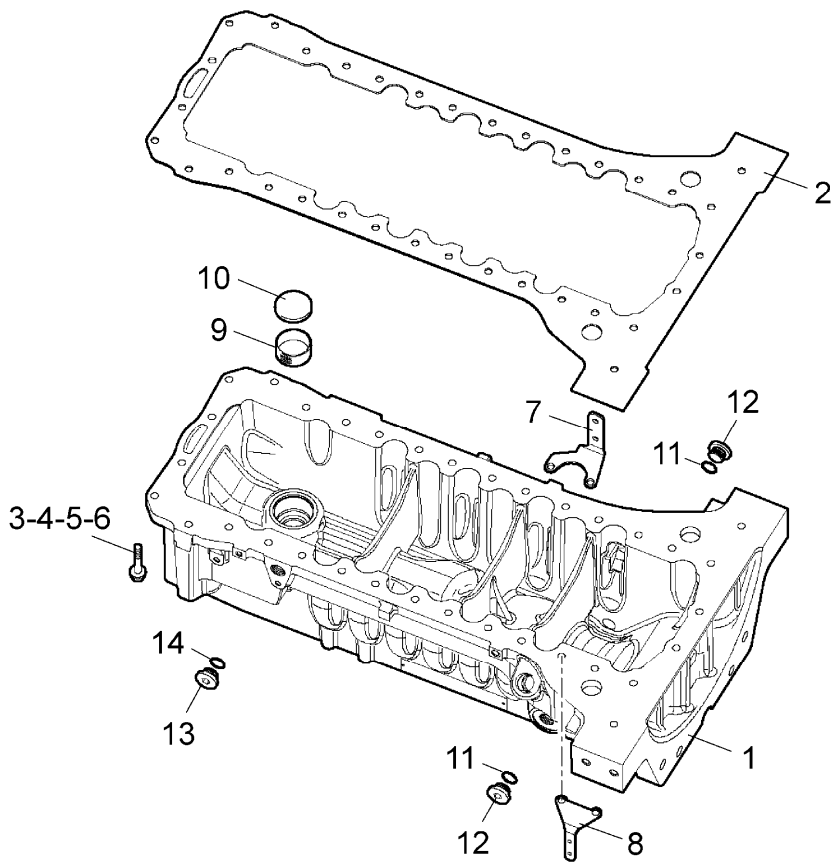
A-05
03



A0503

Oil sump

RP75\00006027.png



- 1 4208117M1
- 2 3688752M1
- 3 3688778M1
- 4 3688679M1
- 5 4208118M1
- 6 3688678M1
- 7 4208119M1
- 8 4208120M1
- 9 3688803M1
- 10 3688804M1
- 11 3688997M1
- 12 3688691M1
- 13 4208121M1
- 14 4208122M1

M10x90 mm

M10x190 mm

M22x1,5

≡ =1,5 mm

● 6528826M1(1)

Ø18x26 mm

≡ Shim

● Replacement

Inglese

- 1 Pan
- 1 Gasket
- 2 Screw
- 24 Screw
- 6 Screw
- 2 Screw
- 1 Stirrup
- 2 Stirrup
- 1 Filter
- 1 Plug
- 2 O ring
- 2 Plug
- 1 Plug
- 1 Gasket

Engine

G-MAX Tier 3 New Cab (2012-) - RP75 - 165

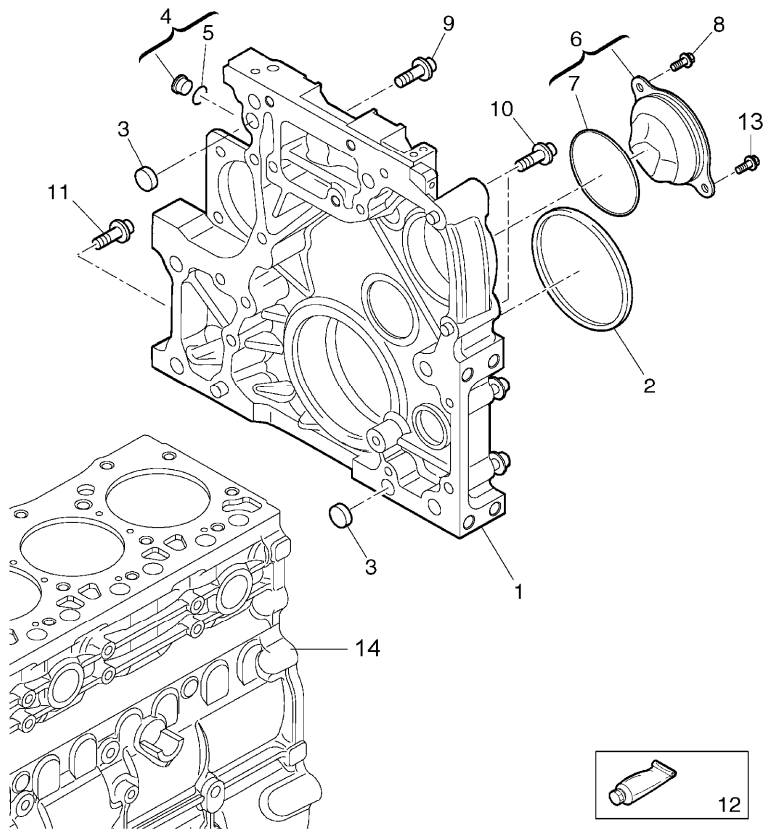
RP75\00006000.png

**A-05
04**



A0504

Crankcase covers



		Inglese
1	4206380M1	1 Coperch.
2	3688647M1 ● 6514306M1(1) 130x155x12,5	1 Ring
3	3688753M1	2 Screw
4	3688780M1 ● 704848A1(1) M18x1,5	1 Plug
5	3688781M1 ● 707405A1(1)	1 O ring
6	4208123M1	1 Coperch.
7	3689092M1	1 O ring
8	3688941M1 ● 710625A1(1) M8x1,25x20 mm	1 Screw
9	3688874M1 M16x1,5	1 Screw
10	3688671M1 M12x1,75	15 Screw
11	3688869M1	2 Screw
12	3688632M1 ● 3688632M2(1)	1 Adhesive
13	4208124M1 M8x1,25x23 mm	1 Screw
14	⊕ A-05 02 9	Crankcase
⊕	See page - reference number	
●	Replacement	

Engine

G-MAX Tier 3 New Cab (2012-) - RP75 - 165

RP75\00006001.png

A-05
05



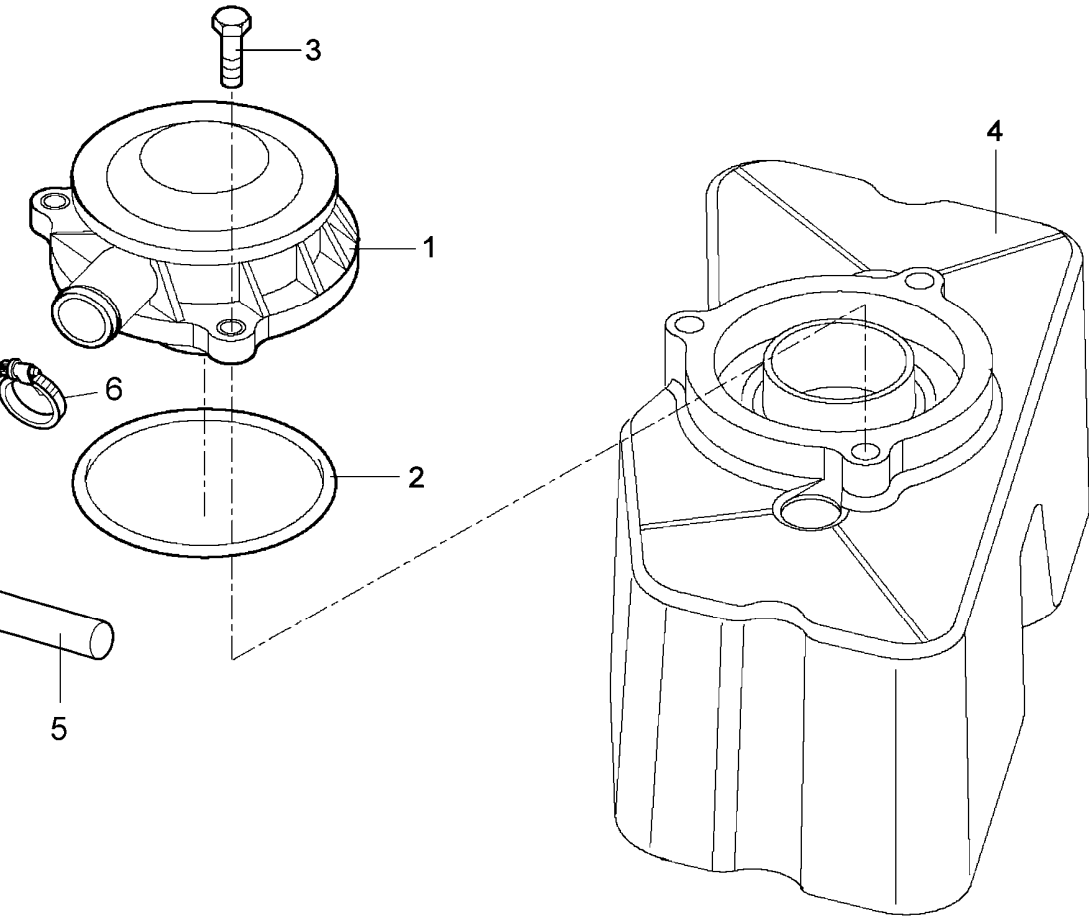
A0505

Engine breathers

Inglese

- 1 Valve
- 1 Gasket
- 3 Screw
- 1 Cover
- 1 Pipe
- 1 Clamp

- 1 707434A1
- 7435A1
- 38866M1 ● 705021A1(3)
- ◁ A-05 07 7
- 34643M1
- 51942M1
- see page - reference number
- replacement



Engine

G-MAX Tier 3 New Cab (2012-) - RP75 - 165

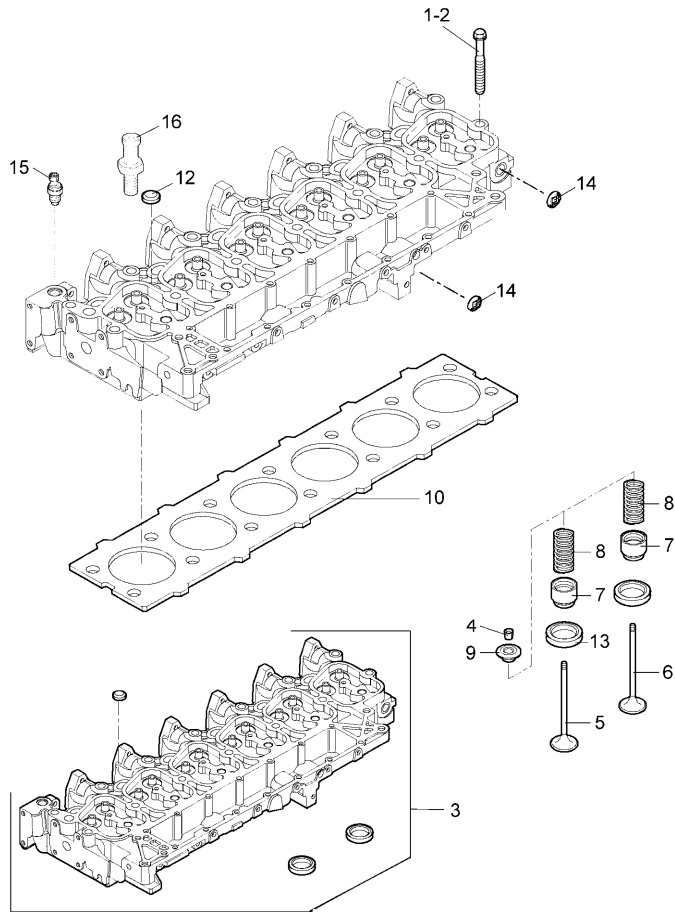
RP75\00006002.png

A-05
06



A0506

Head cylinder



		Inglese	
1	704717A1	● 707391A1(6) M15x1,75	6 Screw
2	707390A1	M15x1,75	14 Screw
3	704877A1		1 Head
4	704804A1		24 Half cone
5	704807A1		6 Valve
6	704806A1		6 Valve
7	704836A1		12 Cap
8	704821A1		12 Spring
9	704805A1		12 Cup
10	704652A1	▲ 1,15 mm └ 707379a1 ● N.L.S.(1) ▲ =1,25 mm └ 704652a1	1 Gasket
10	707379A1		1 Gasket
11	704922A1		6 Valve seat
12	704802A1		3 Plug
13	704921A1		Valve seat
14	704784A1		2 Plug
15	4217672M1	◁ D-00 04 5 A B	1 Sensor
15	705080A1	● 4217672M1(1) A	1 Transmitter
16	705133A1		1 Union

Engine

G-MAX Tier 3 New Cab (2012-) - RP75 - 165

RP75\00006002.png

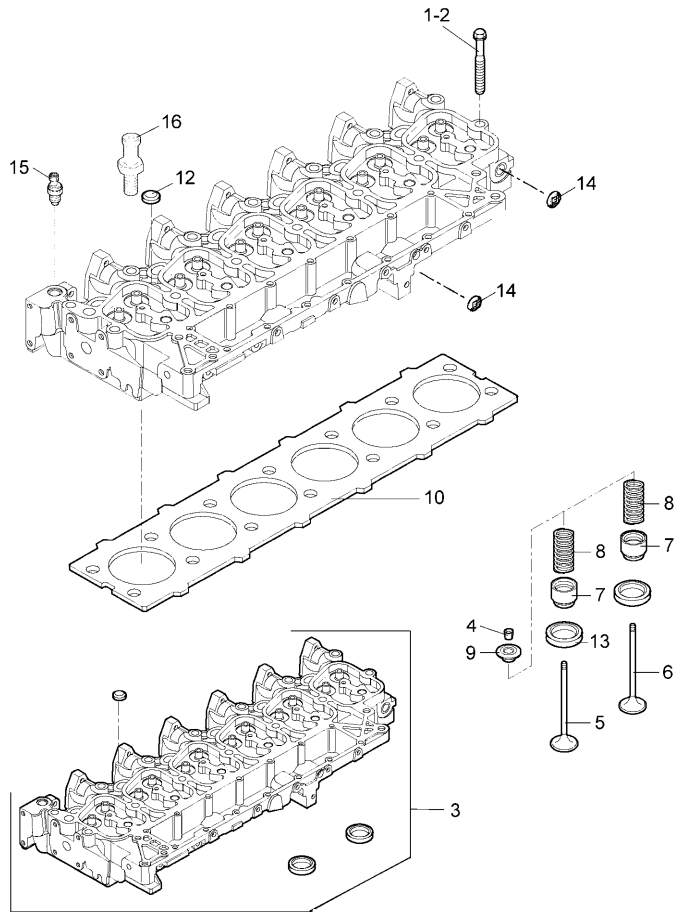
A-05
06



A0506

Head cylinder

- See page - reference number
- Alternative
- Shim
- Replacement
- A Engine water temperature
- B For markets climi freddi



Engine

G-MAX Tier 3 New Cab (2012-) - RP75 - 165

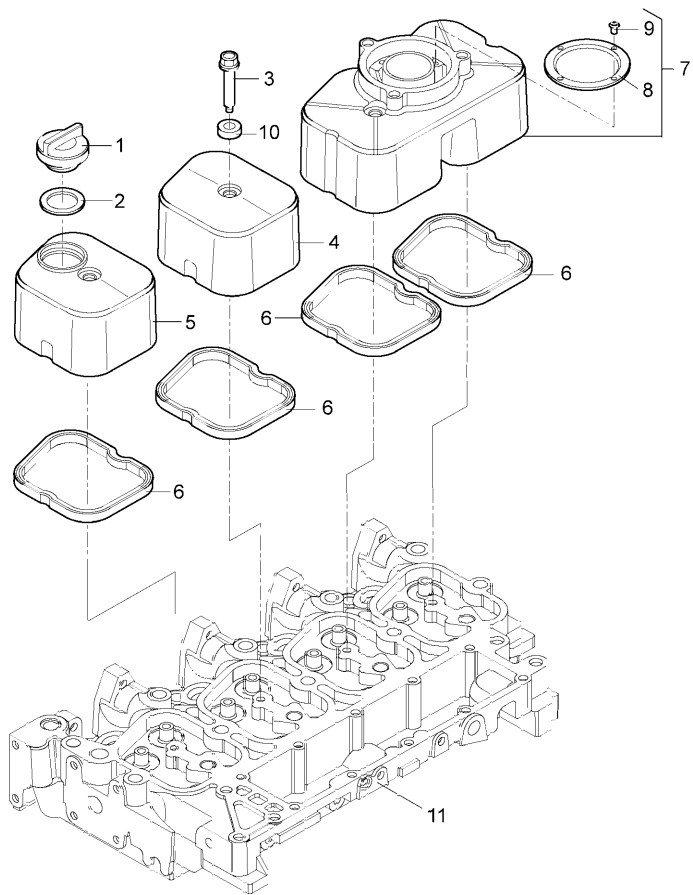
RP75\00006003.png

A-05
07



A0507

Cylinder head cover



- 1 4208125M1
- 2 4208126M1
- 3 704820A1 M8x1,25
- 4 705188A1
- 5 4208127M1
- 6 705147A1
- 7 704650A1
- 8 707378A1
- 9 704576A1
- 10 707403A1
- 11 A-05 06 3
- See page - reference number

Inglese

- 1 Plug
- 1 Gasket
- 6 Screw
- 3 Coperch.
- 1 Coperch.
- 6 Gasket
- 1 Cover
- 1 Ring
- 4 Screw
- 6 Ring
- Head

Engine

G-MAX Tier 3 New Cab (2012-) - RP75 - 165

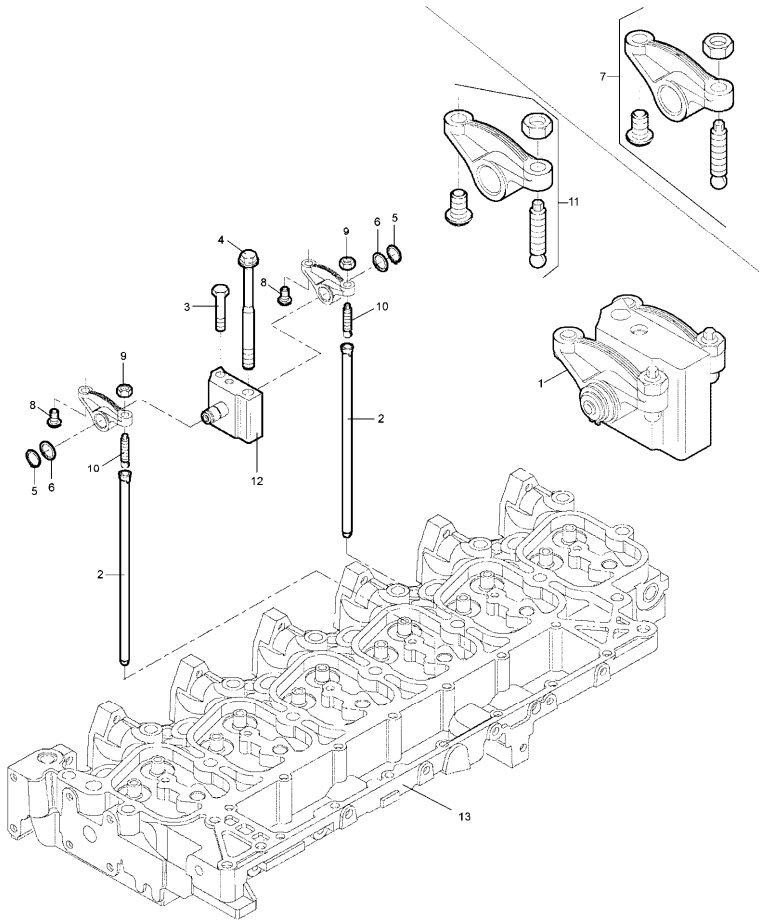
RP75\00006004.png

A-05
08



A0508

Rocker arm



- | | | | | | |
|----|-----------------------------|---------------|----|-----------|--|
| 1 | 704809A1 | | | | |
| 2 | 704841A1 | | | | |
| 3 | 4208128M1 | M8x1,25x60 mm | | | |
| 4 | 704716A1 | M12x1,75 | | | |
| 5 | 704843A1 | | | | |
| 6 | 704844A1 | | | | |
| 7 | 704810A1 | | | | |
| 8 | 704845A1 | | | | |
| 9 | 704812A1 | | | | |
| 10 | 704813A1 | | | | |
| 11 | 704814A1 | | | | |
| 12 | 704816A1 | | | | |
| 13 | | | <> | A-05 06 3 | |
| <> | See page - reference number | | | | |

Inglese

- 6 Shaft
- 12 Rod
- 6 Screw
- 6 Screw
- 12 Ring
- 12 Washer
- 6 Rocker
- 12 Ball pin
- 12 Nut
- 12 Screw
- 6 Rocker
- 6 Support
- Head

Engine

G-MAX Tier 3 New Cab (2012-) - RP75 - 165

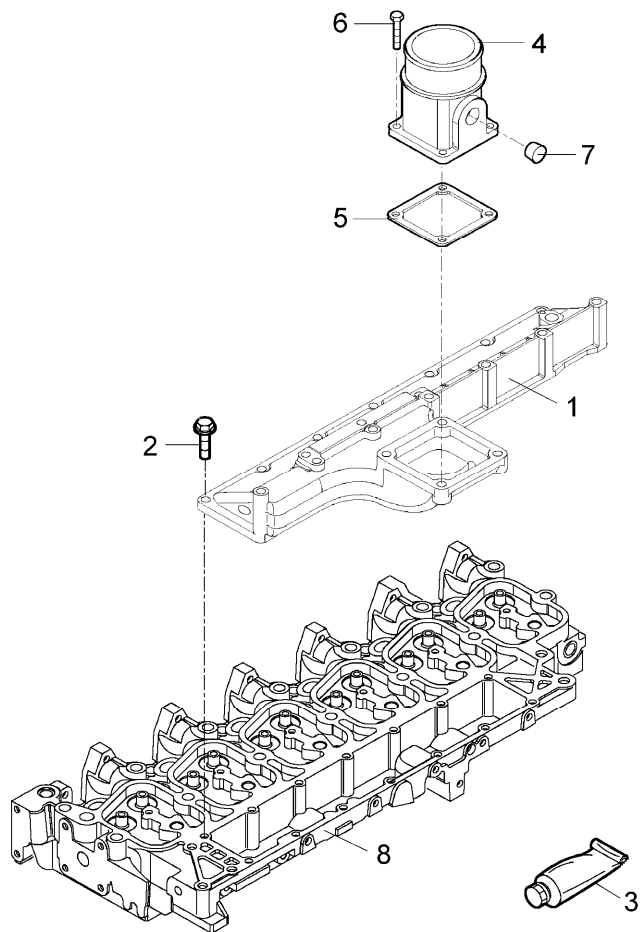
RP75\00006005.png

A-05
09



A0509

Induction manifold



			Inglese
1	705187A1		1 Cover
2	3688850M1	M8x1,25x25 mm	10 Screw
3	3688633M1	● 6500933M1(1)	1 Adhesive
4	4208129M1		1 Duct
5	705061A1	● 6500220M1(1)	1 Gasket
6	3688850M1	M8x1,25x25 mm	4 Screw
7	3688683M1		1 Plug
8		◁ A-05 06 3	Head
◁	See page - reference number		
●	Replacement		

Engine

G-MAX Tier 3 New Cab (2012-) - RP75 - 165

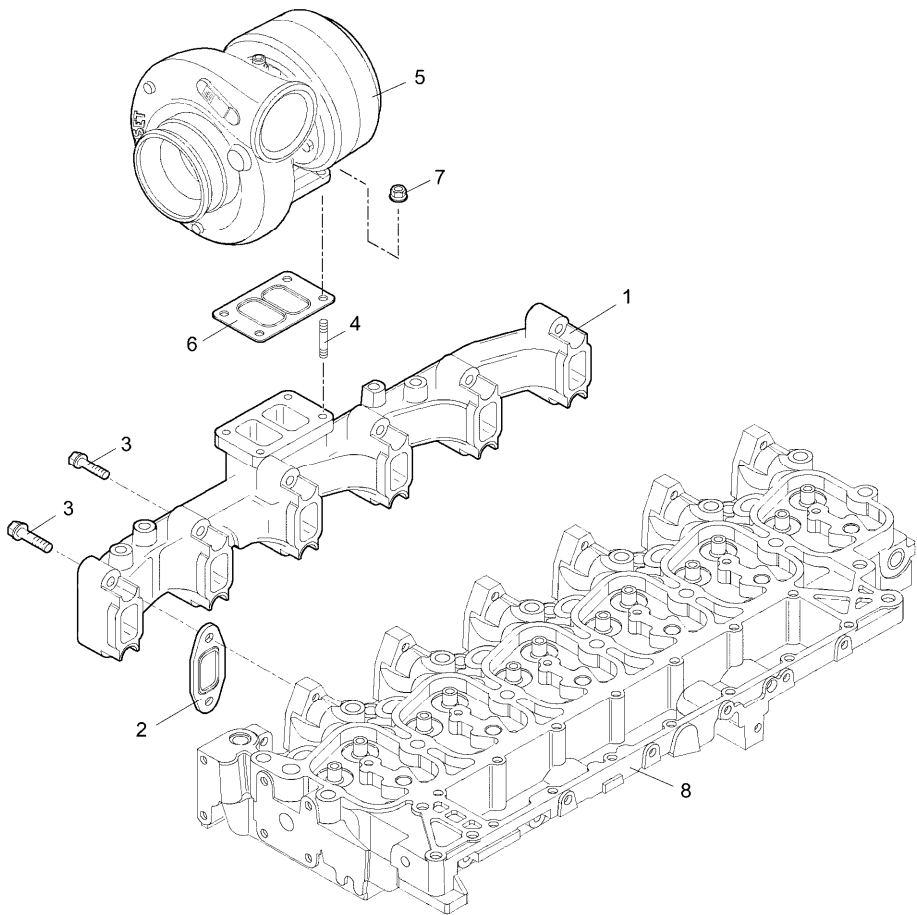
RP75\00006006.png

A-05
10



A0510

Exhaust manifold



- | | | | | | |
|---|-------------|--------------------------|---------|----|--------------|
| 1 | 705199A1 | | Inglese | 1 | Collet |
| 2 | 705273A1 | | | 6 | Gasket |
| 3 | 3688774M2 | M10x1,5x65 mm | | 12 | Worm |
| 4 | 3688861M1 | ● 705008A1(4)
M10x1,5 | | 4 | Screw |
| 5 | 708801A1 | | | 1 | Turbocharger |
| 6 | 3688770M1 | | | 1 | Gasket |
| 7 | 3688862M1 | M10x1,5 | | 4 | Nut |
| 8 | ◁ A-05 06 3 | | | | Head |
- ◁ See page - reference number
● Replacement

Engine

G-MAX Tier 3 New Cab (2012-) - RP75 - 165

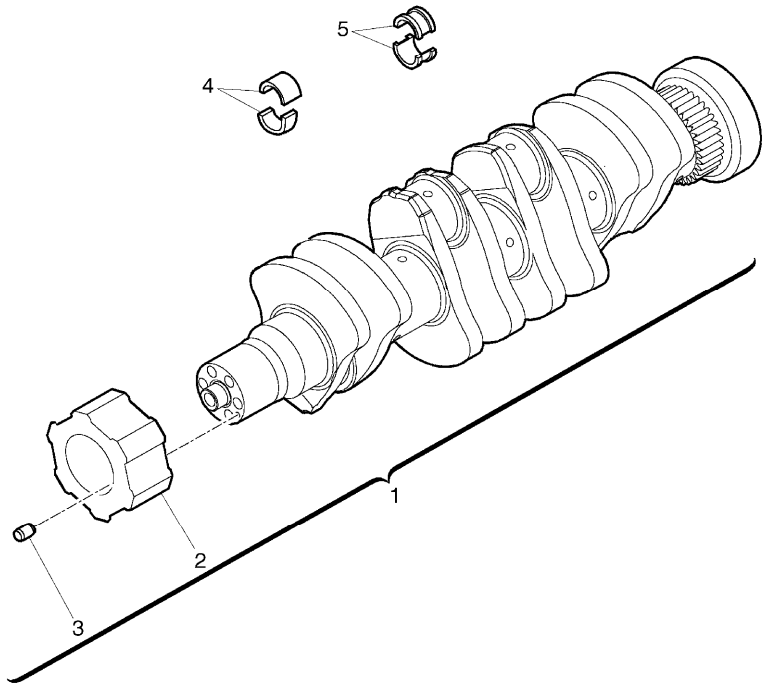
RP75\000022015.png

A-05
11



A0511

Crankshaft



		Inglese	
1	3688630M1	● 3688630M2(1)	1 Shaft
2	4206387M1		1 Bushing
3	3688851M1	● 704992A1(1)	1 Screw
4	3688637M1	Std.	6 Cuscinet
4	3688638M1	-0.250	6 Cuscinet
4	3688639M1	-0.500	6 Cuscinet
5	3688634M1	Std.	1 Cuscinet
5	3688635M1	-0.250	1 Bearing
5	3688636M1	-0.500	1 Cuscinet
●	Replacement		

Engine

G-MAX Tier 3 New Cab (2012-) - RP75 - 165

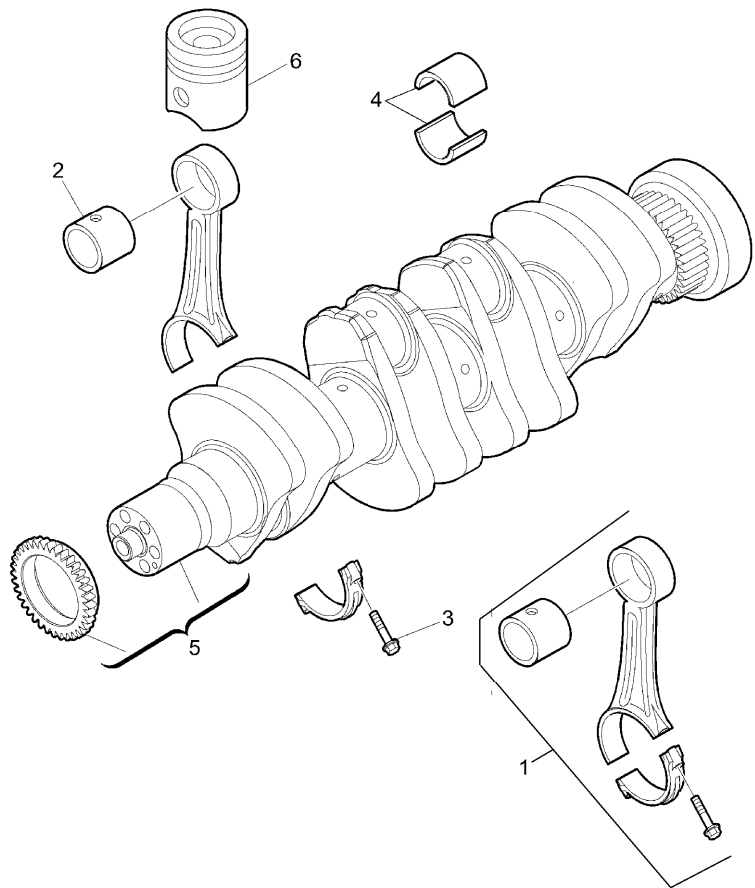
RP75\000022016.png

A-05
12



A0512

Crank shaft - connecting rods



- 1 3688624M1
- 2 3688675M1
- 3 3688623M1
- 4 3688880M1 Std
- 4 4206388M1 -o,250
- 4 4206389M1 -0,500
- 5 A-05 11 1
- 6 A-05 13 5
- See page - reference number

Inglese

- 6 Conrod
- 6 Bush
- 12 Screw
- 6 Cuscinet
- 6 Cuscinet
- 6 Cuscinet
- 1 Shaft
- 6 Piston

Engine

G-MAX Tier 3 New Cab (2012-) - RP75 - 165

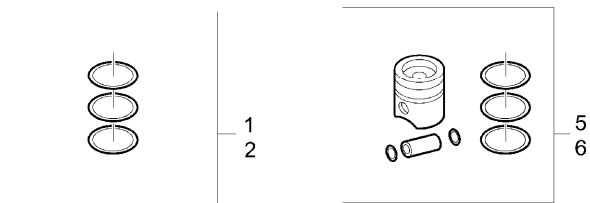
RP75\000021409.png

A-05
13



A0513

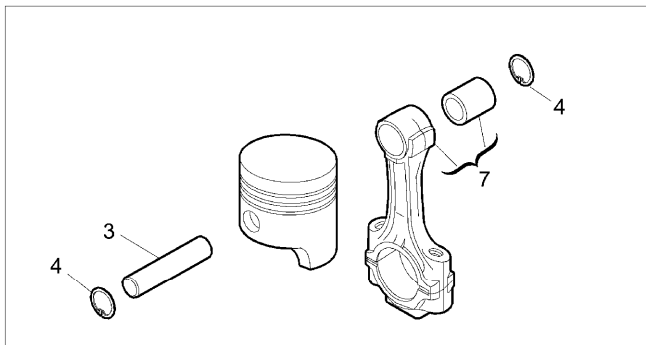
Piston assay piston rings - piston complete



- | | | | | | |
|---|-----------|----|--------------|----|--------|
| 1 | 706290A1 | ● | 3688921M1(1) | 6 | Kit |
| 2 | 707354A1 | ✕ | +0,4 | 6 | Kit |
| | | ● | 713981A1(6) | | |
| 3 | 3688676M1 | | | 6 | Pin |
| 4 | 3689087M1 | | | 12 | Ring |
| 5 | 4208130M1 | | | 6 | Piston |
| 6 | 4208156M1 | ✕ | +0,4 | 6 | Piston |
| 7 | | ◁▷ | A-05 12 1 | 6 | Conrod |

Inglese

- ◁▷ See page - reference number
- ✕ Shim
- Replacement



Engine

G-MAX Tier 3 New Cab (2012-) - RP75 - 165

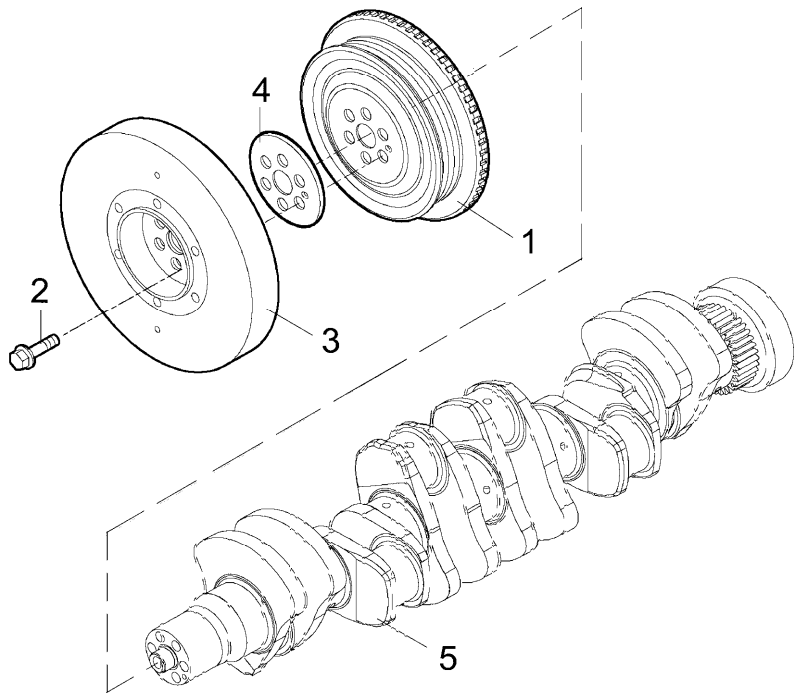
RP75\00006007.png





A-05
14



A0514

Vibration damper



- | | | Inglese |
|---|--|--------------------|
| 1 | 3689094M1 | 1 Pulley |
| 2 | 3688681M1 M12x1,5 | 6 Screw |
| 3 | 4208157M1  4208157M2(1) | 1 Vibration damper |
| 4 | 4208158M1 | 1 Spacer |
| 5 |  A-05 11 1 | 1 Shaft |
|  | See page - reference number | |
|  | Replacement | |

Engine

G-MAX Tier 3 New Cab (2012-) - RP75 - 165

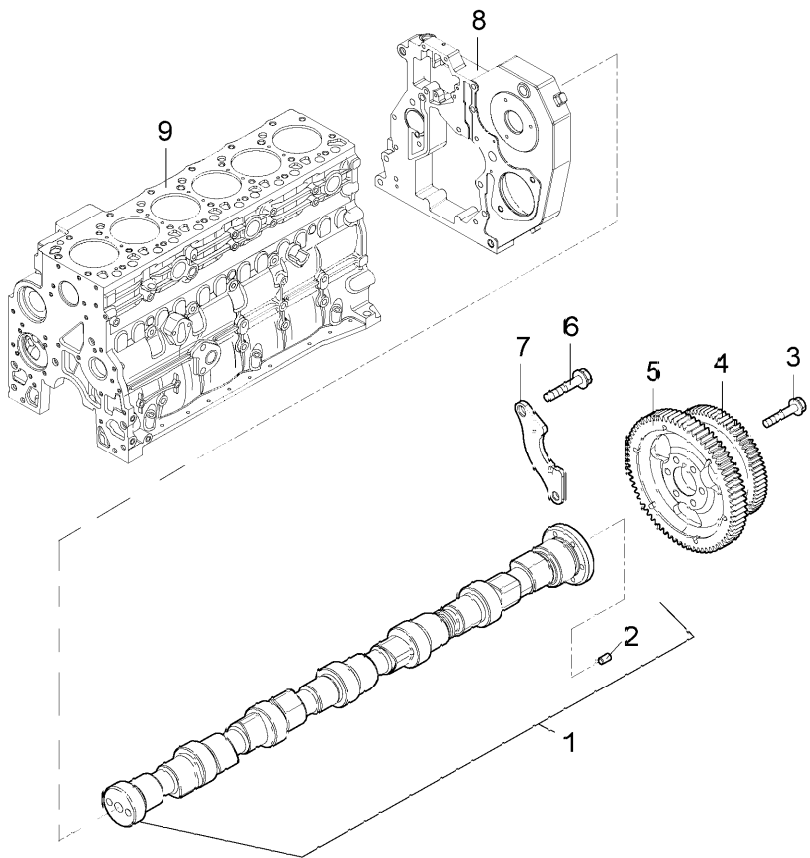
RP75\00006008.png

A-05
15



A0515

Timing parts



- 1 4208161M1
- 2 3688857M1 ● 705005A1(1)
- 3 4208159M1
- 4 4208162M1
- 5 4208160M1
- 6 3688854M1 ● 704997A1(2)
M8x17 mm
- 7 3688818M1 ● 704931A1(1)
- 8 ◊ A-05 04 1
- 9 ◊ A-05 02 9

Inglese

- 1 Shaft
- 1 Screw
- 6 Screw
- 1 Gear
- 1 Gear
- 2 Screw
- 1 Stirrup
- 1 Cover
- 1

- ◊ See page - reference number
- Replacement

Engine

G-MAX Tier 3 New Cab (2012-) - RP75 - 165

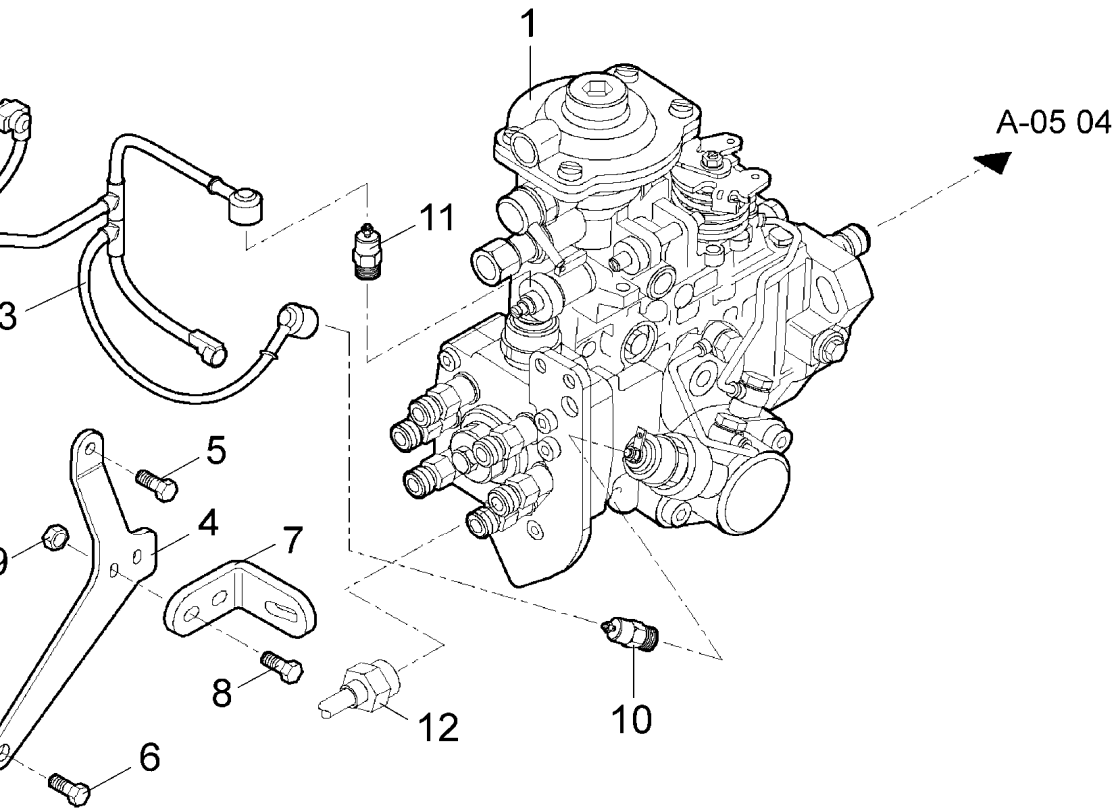
RP75\00006028.png

**A-05
16**



A0516

Fuel injection pump



1 4208162M1

1 4213703M1(1)

1

M1

M1

710625A1(1)
M8x1,25x20 mm

1

M1

M1

M1

M1

M1

A-05 22 1

je - reference number
ement

Inglese

1 Pump

1 Sensor

1 Cable

1 Console

1 Screw

1 Screw

1 Console

3 Screw

3 Nut

1 Magnet

1 Electro-valve

1 Pipe

Engine

G-MAX Tier 3 New Cab (2012-) - RP75 - 165

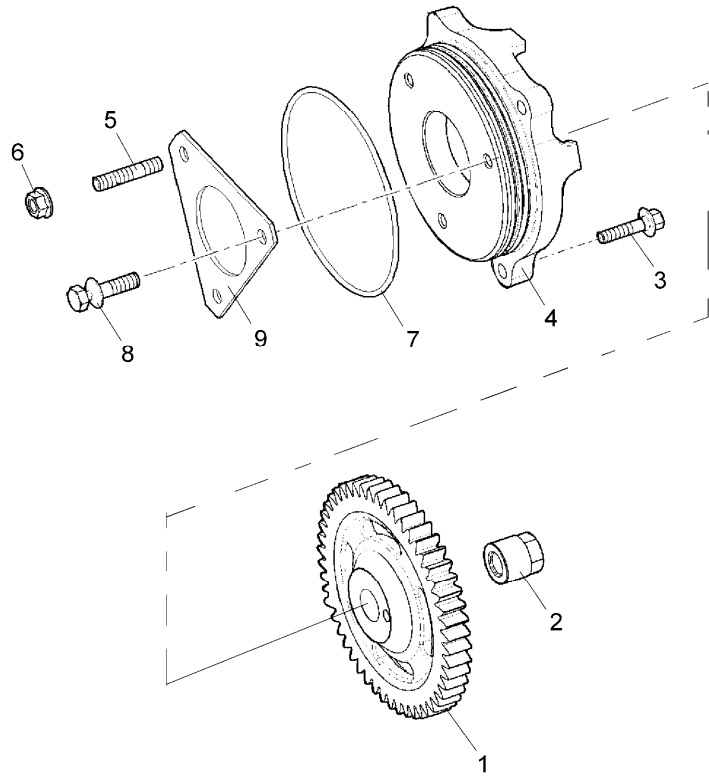
RP75\00006010.png

A-05
17



A0517

Injection pump drive



		Inglese
1	4208168M1	1 Gear
2	4208169M1 M14x1,5	1 Nut
3	3688853M1 M8x30 mm	3 Screw
4		1 Spacer
5	4208171M1 M8x30 mm	2 Screw
6	3688948M1 M8	2 Nut
7	3689000M1 \times =3,53 mm \varnothing 120,24 mm	1 O ring
8	4208172M1	1 Screw
9	710622A1	1 Gasket
\blacktriangle	Shim	

Engine

G-MAX Tier 3 New Cab (2012-) - RP75 - 165

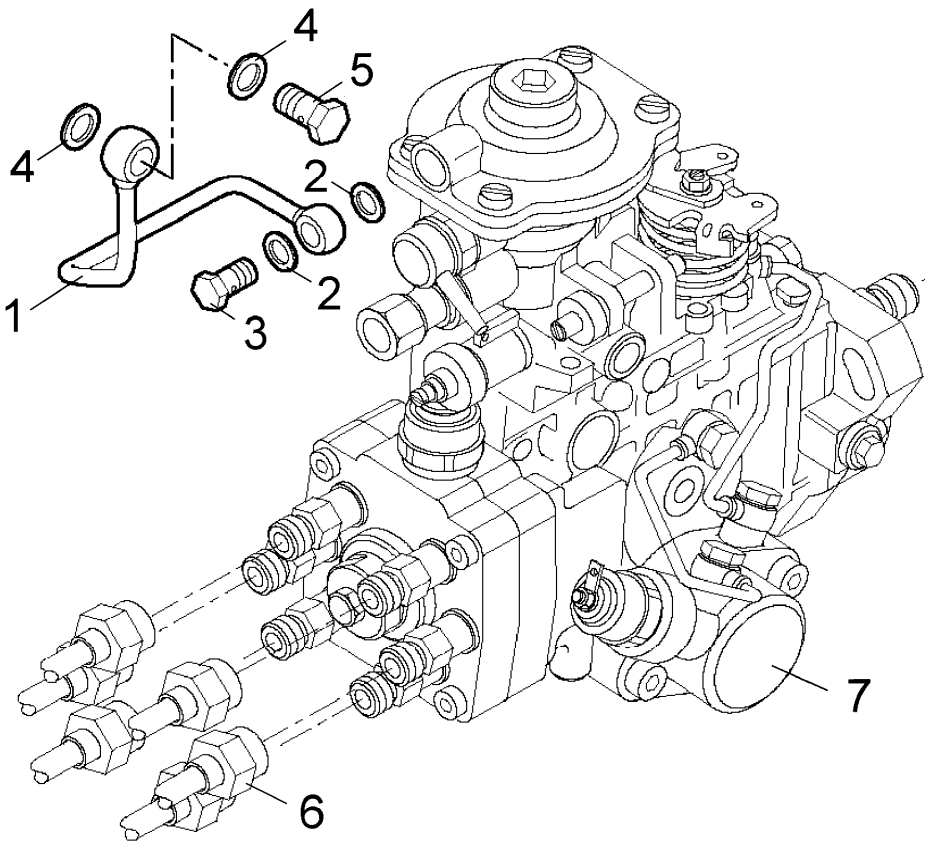
A-05
18



A0518

Injection pipes

RP75\00006011.png



- | | | | | | |
|---|----------|---|--------------|--|--|
| 1 | 704634A1 | | | | |
| 2 | 704633A1 | | | | |
| 3 | 704621A1 | | | | |
| 4 | 704558A1 | ≡ | =1 mm | | |
| | | | Ø10x13,5 mm | | |
| 5 | 704556A1 | ● | 6515434M1(1) | | |
| 6 | | ◊ | A-05 22 1 | | |
| | | ◊ | A-05 16 1 | | |
| 7 | | | | | |
- ≡ See page - reference number
 ≡ Shim
 ● Replacement

Inglese

- 1 Pipe
- 2 Gasket
- 1 Filler
- 2 Gasket
- 1 Filler
- 1 Pipe
- 1 Pump

Engine

G-MAX Tier 3 New Cab (2012-) - RP75 - 165

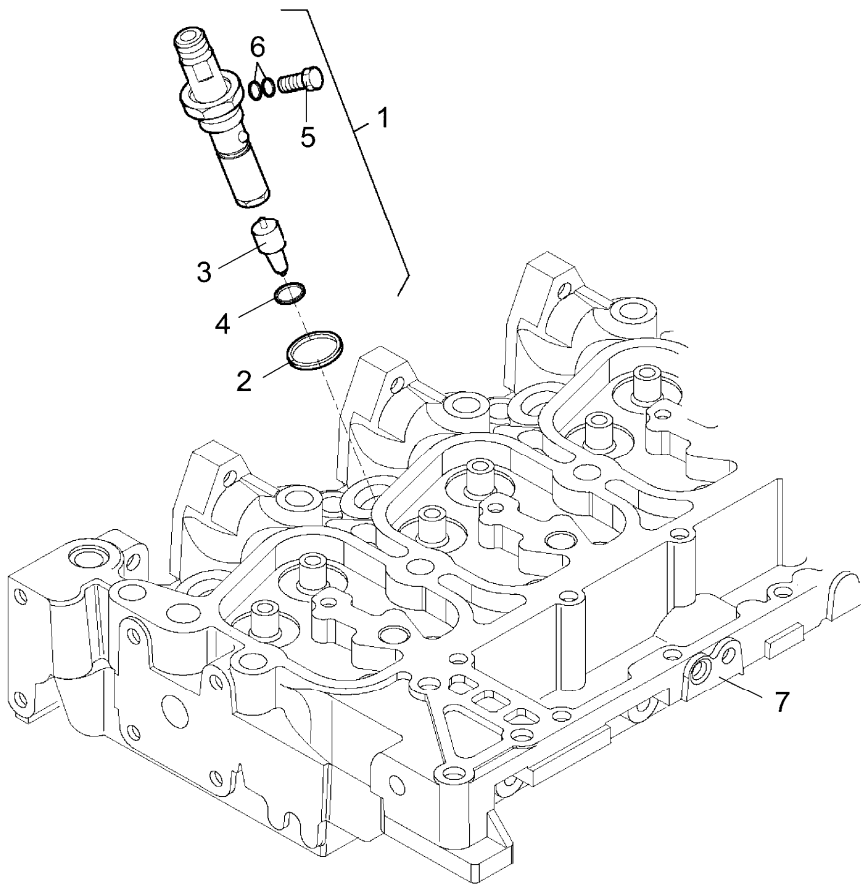
A-05
19



A0519

Nozzles

RP75\00006012.png



- 1 4208173M1
- 2 707401A1
- 3 4208174M1
- 4 4208343M1
- 5 4208176M1 M8x1
- 6 4208177M1 Ø6x10 mm
- 7 A-05 06 3
- See page - reference number

Inglese

- 6 Nozzle
- 6 Gasket
- 6 Nozzle
- 6 Washer
- 6 Filler
- 12 Ring
- 1 Head

Engine

G-MAX Tier 3 New Cab (2012-) - RP75 - 165

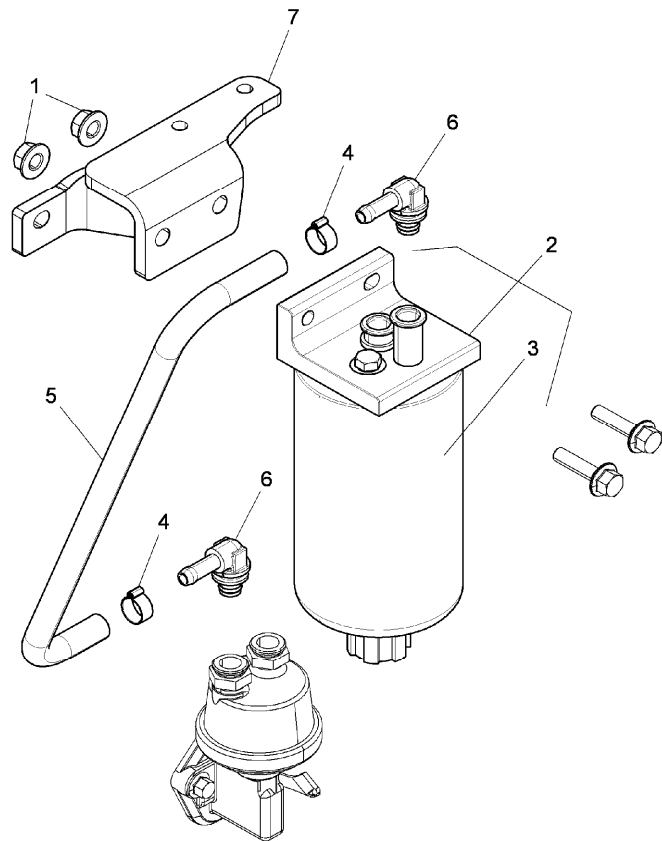
RP75\00041833.png

A-05
20



A0520

Heavy duty fuel filter



- 1 4208180M1
- 2 6507443M91
- 3 6508562M91 ! 2
- 4 3647035M1
- 5 6500786M1
- 6 3692722M91
- 7 4208178M1

! This is a component of an assembly

Inglese

- 2 Nut
- 1 Filter
- 1 Cartridge
- 2 Clamp
- 1 Pipe
- 2 Union
- 1 Support

Engine

G-MAX Tier 3 New Cab (2012-) - RP75 - 165

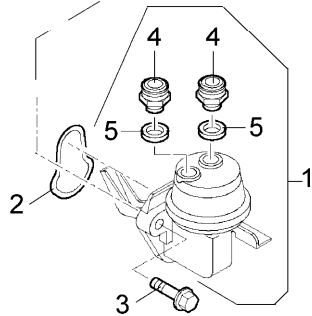
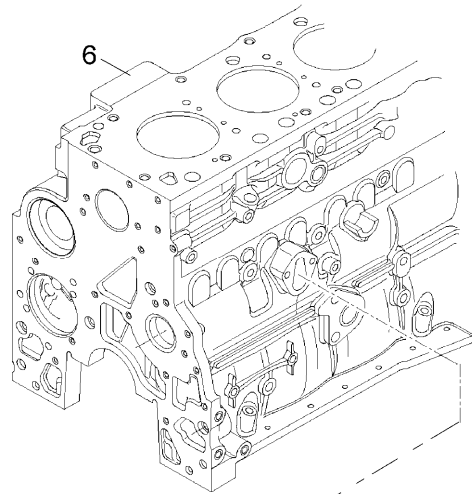
RP75\00006014.png

A-05
21



A0521

Fuel pump



		Inglese	
1	707371A1	● 3688650M1(2), 3688754M1(2), 6507275M91(1)	1 Pump
2	707370A1		1 Ring
3	3688849M1	● 3688856M1(1) M8x25 mm	2 Screw
4	3688650M1	! 1 M12x1,5	2 Union
5	3688754M1	! 1	2 Ring
6		◁ A-05 2 9	
!		This is a component of an assembly	
◁		See page - reference number	
●		Replacement	

Engine

G-MAX Tier 3 New Cab (2012-) - RP75 - 165

A-05
22



A0522

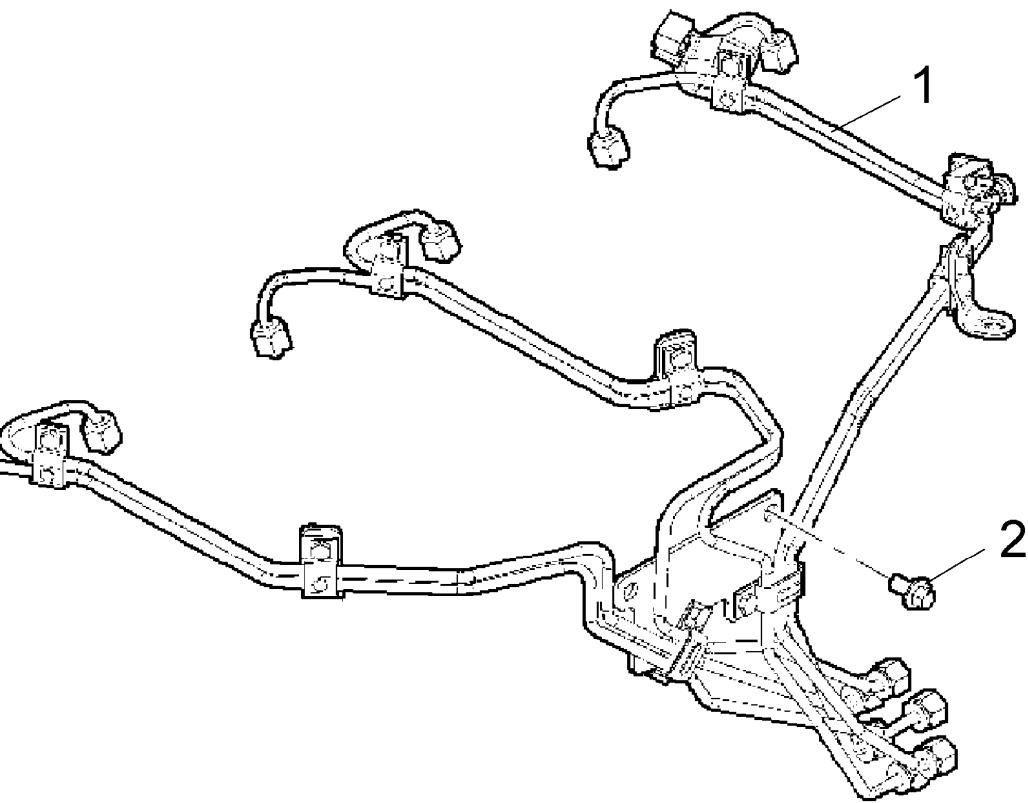
Injection pipes

RP75\00006015.png

- 1 420236M1
J4A1

Inglese

- 1 Pipe
- 2 Screw





Suggest:

For more complete manuals. Please go to the home page.

<https://www.ebooklibonline.com>

If the above button click is invalid. Please download this document first, and then click the above link to download the complete manual.

Thank you so much for reading

Engine

G-MAX Tier 3 New Cab (2012-) - RP75 - 165

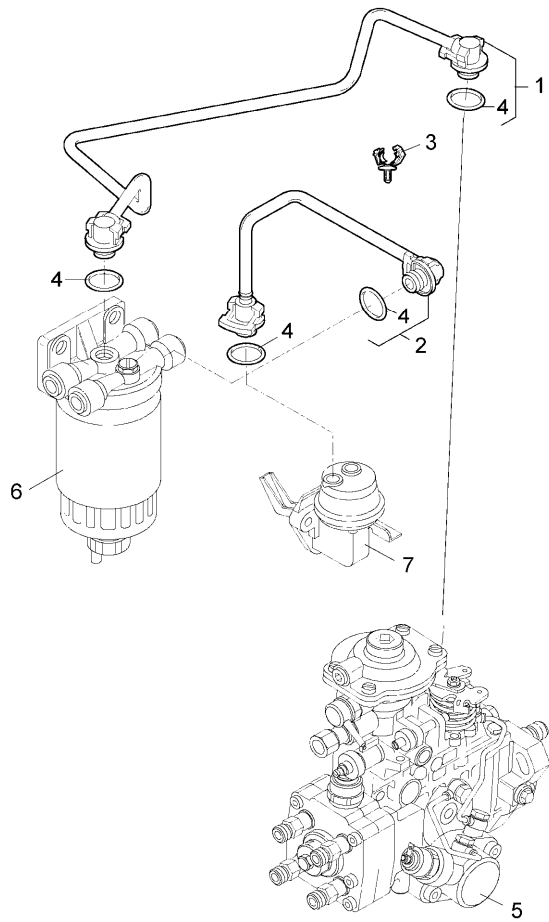
A-05
23



A0523

Fuel lines

RP75\00006016.png



- 1 4208237M1
- 2 4208238M1
- 3 705191A1
- 4 3688690M1
- 5 A-05 16 1
- 6 A-05 20 1
- 7 A-05 21 1
- See page - reference number

Inglese

- 1 Pipe
- 1 Pipe
- 2 Clip
- 4 O ring
- 1 Pump
- 1 Filter
- 1 Pump, fuel

Engine

G-MAX Tier 3 New Cab (2012-) - RP75 - 165

RP75\00006017.png

A-05
24

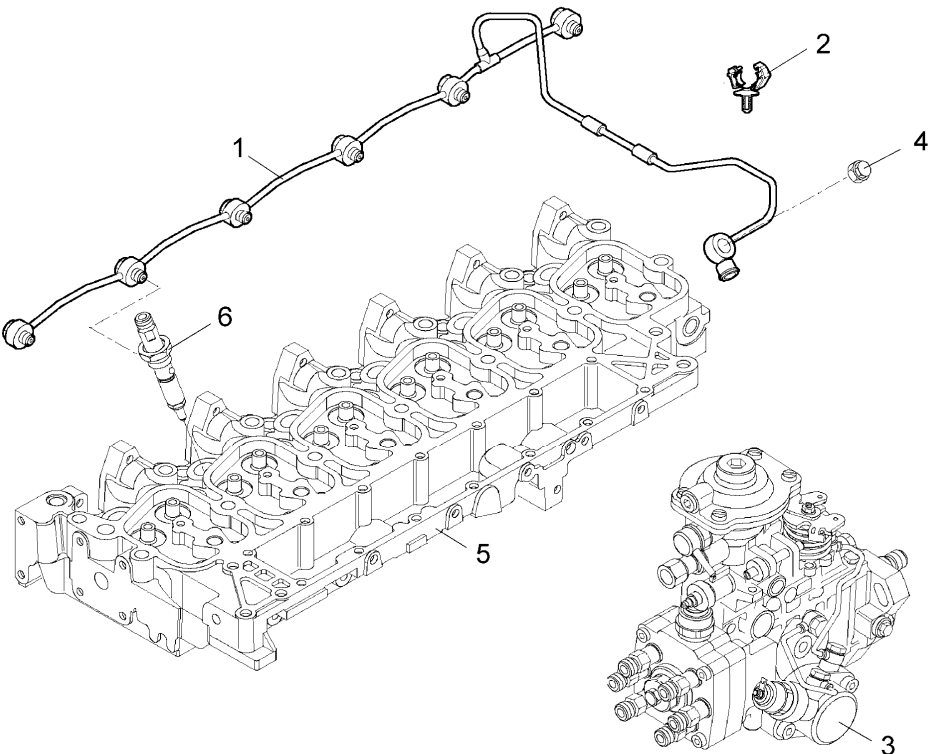


A0524

Fuel lines

Inglese

- | | | | |
|---|-----------------------------|-------------|----------|
| 1 | 705208A1 | | 1 Pipe |
| 2 | 705191A1 | | 1 Clip |
| 3 | | ⊕ A-05 16 1 | 1 Pump |
| 4 | | ⊕ A-05 16 2 | 1 Sensor |
| 5 | | ⊕ A-05 06 3 | 1 Head |
| 6 | | ⊕ A-05 19 1 | 1 Nozzle |
| ⊕ | See page - reference number | | |



<https://www.ebooklibonline.com>

Hello dear friend!

Thank you very much for reading.

Enter the link into your browser.

The full manual is available for immediate download.

<https://www.ebooklibonline.com>