

Engine

G-MAX Tier 3 New Cab (2012- ) - RP75 - 135

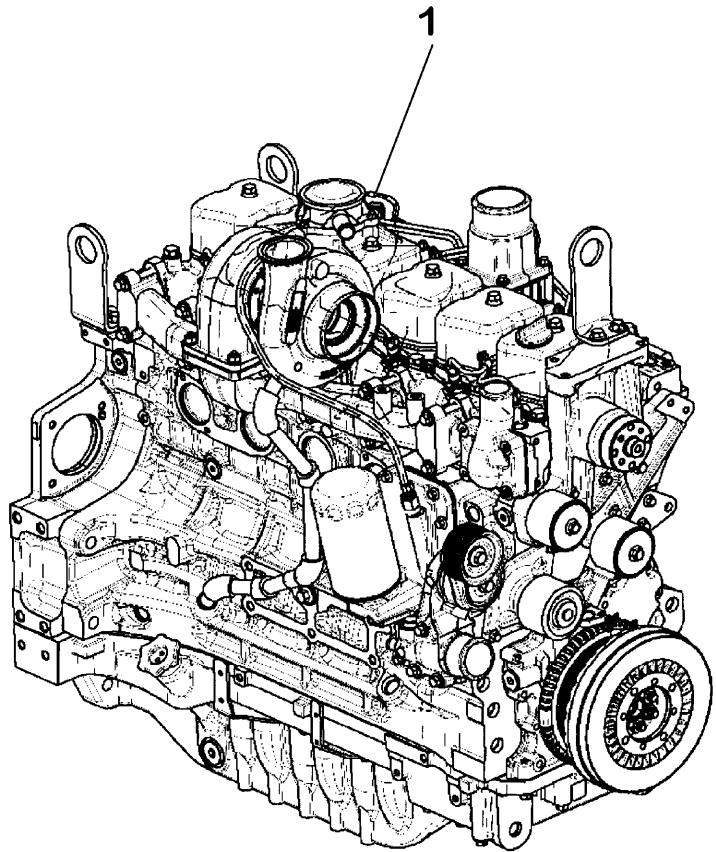
RP75\00005363.png

A-05  
01



A0501

Engine assembly



		Inglese
1	3691629M91 ● 3691629M92(1)	1 Engine
	"tier 3" - 98 kw	
1	6511060M91 "tier 3" - 98 kw	1 Engine
	A	
	B	
	C	
●	Replacement	
A	Flexibility engine	
B	For market "cee"	
C	For market "n.a.o."	

Engine

G-MAX Tier 3 New Cab (2012- ) - RP75 - 135

RP75\00041500.png

A-05  
015



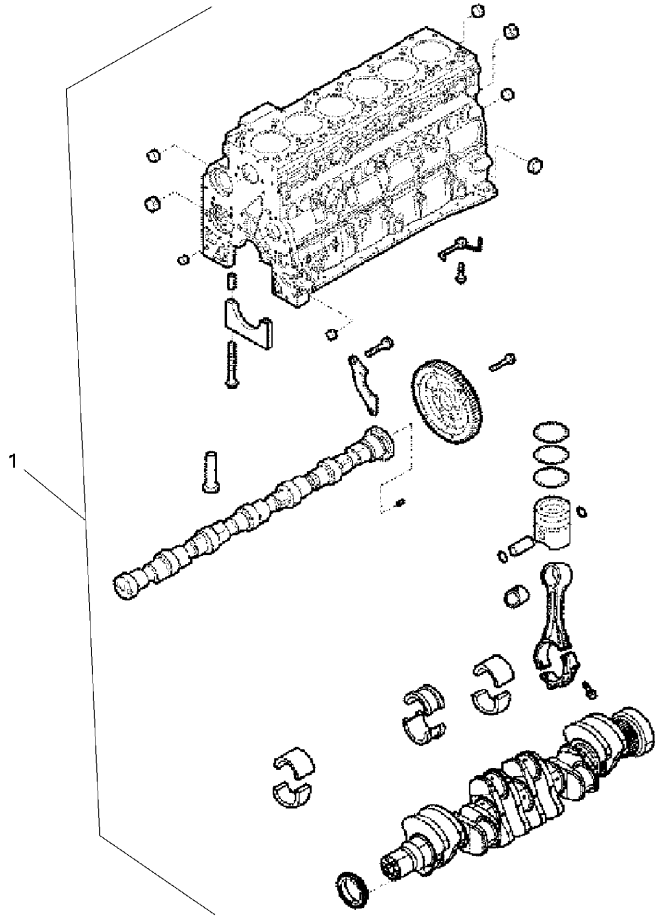
A05015

Short engine

1 6511965M91

Inglese

1 Short engine



Engine

G-MAX Tier 3 New Cab (2012- ) - RP75 - 135

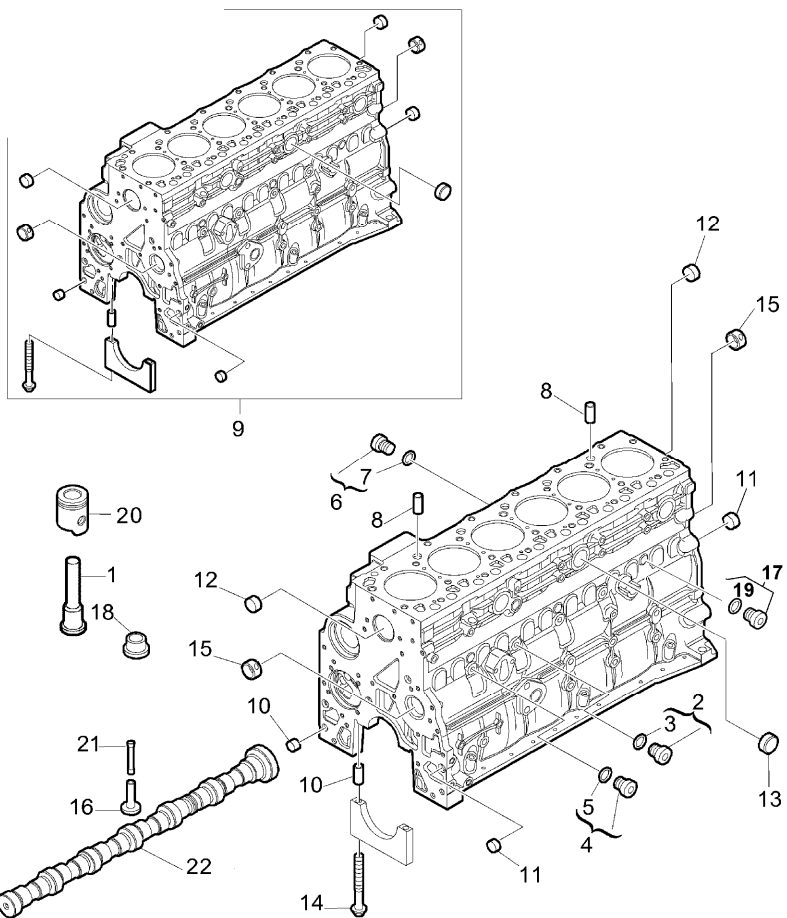
RP75\00005435.png

A-05  
02



A0502

Crankcase



Inglese

- |    |           |   |  |
|----|-----------|---|--|
| 1  | 3688809M1 |   | 6 Jet                                  |
| 2  | 3689350M1 | ● | 1 Plug<br>M14x1,5                      |
| 3  | 3688868M1 |   | 1 O ring                               |
| 4  | 3688822M1 | ● | 3 Plug<br>M10x1                        |
| 5  | 3688855M1 |   | 3 O ring                               |
| 6  | 3688780M1 | ● | 3 Plug<br>Assy m18x1,5                 |
| 7  | 3688781M1 | ● | 3 O ring                               |
| 8  | 3688761M1 |   | 2 Dowel pin                            |
| 9  | 3688626M1 |   | 1 Crankcase                            |
| 10 | 3688824M1 | ● | 14 Dowel pin                           |
| 11 | 3688758M1 |   | 2 Plug<br>17,73x6,35x1,07              |
| 12 | 3688757M1 |   | 6 Plug<br>58,06x8,25x1,52              |
| 13 | 3688775M1 |   | 3 Plug<br>35,23x7,94x1,52              |
| 14 | 3688673M1 | ● | 14 Screw<br>M12x120 mm                 |
| 15 | 3688759M1 |   | 2 Bearing                              |
| 16 | 704803A1  |   | 1 Register                             |
| 17 | 3688800M1 | ● | 1 Plug<br>M16x1,5 mm assy              |
| 18 | 3688628M1 |   | 1 Splasher                             |
| 19 | 3688994M1 | ⊗ | 1 Toroidal seal<br>=2,6 mm<br>Ø13,9 mm |

**<https://www.ebooklibonline.com>**

Hello dear friend!

Thank you very much for reading.

Enter the link into your browser.

The full manual is available for immediate download.

**<https://www.ebooklibonline.com>**

Engine

G-MAX Tier 3 New Cab (2012- ) - RP75 - 135

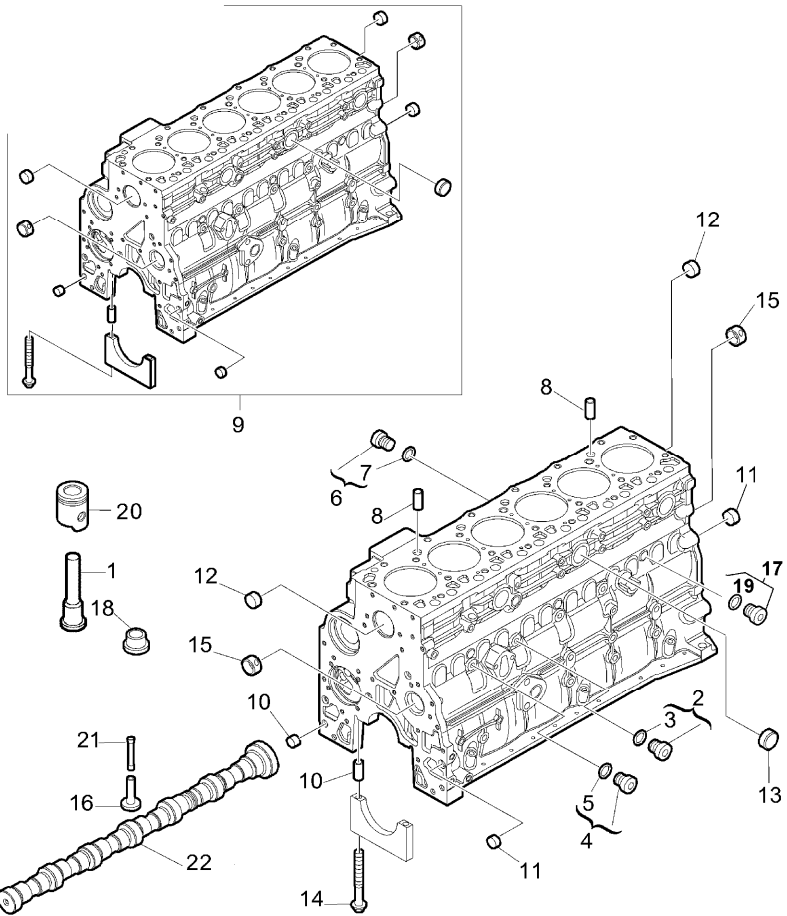
RP75\00005435.png

A-05  
02



A0502

Crankcase



- 20      A-05 13 5
- 21      A-05 08 2
- 22      A-05 15 1

- See page - reference number
- Shim
- Replacement

Inglese

- 1 Piston
- 1 Shaft
- 1 Camshaft

Engine

G-MAX Tier 3 New Cab (2012- ) - RP75 - 135

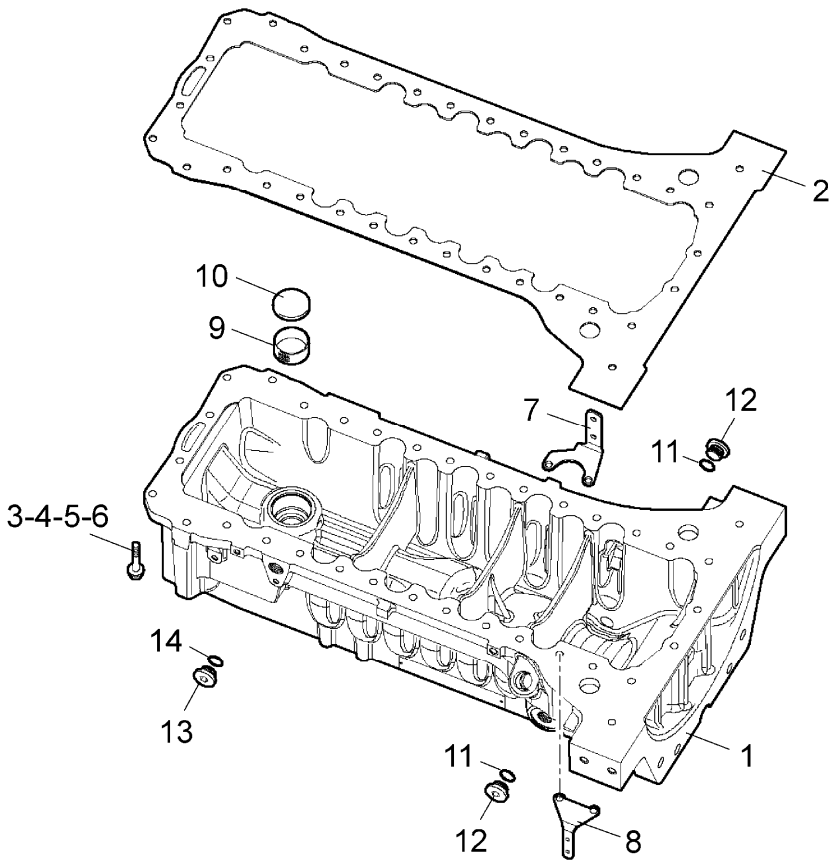
A-05  
03



A0503

Oil sump

RP75\00006027.png



- |    |           | Inglese    |
|----|-----------|------------|
| 1  | 4208117M1 | 1 Pan      |
| 2  | 3688752M1 | 1 Gasket   |
| 3  | 3688778M1 | 2 Screw    |
| 4  | 3688679M1 | M10x90 mm  |
| 5  | 4208118M1 | 24 Screw   |
| 6  | 3688678M1 | M10x190 mm |
| 6  | 3688678M1 | 2 Screw    |
| 7  | 4208119M1 | 1 Stirrup  |
| 8  | 4208120M1 | 2 Stirrup  |
| 9  | 3688803M1 | 1 Filter   |
| 10 | 3688804M1 | 1 Plug     |
| 11 | 3688997M1 | 2 O ring   |
| 12 | 3688691M1 | M22x1,5    |
| 12 | 3688691M1 | 2 Plug     |
| 13 | 4208121M1 | 1 Plug     |
| 14 | 4208122M1 | 1 Gasket   |

- ✂ =1,5 mm
- 6528826M1(1)  
Ø18x26 mm

- ✂ Shim
- Replacement

Engine

G-MAX Tier 3 New Cab (2012- ) - RP75 - 135

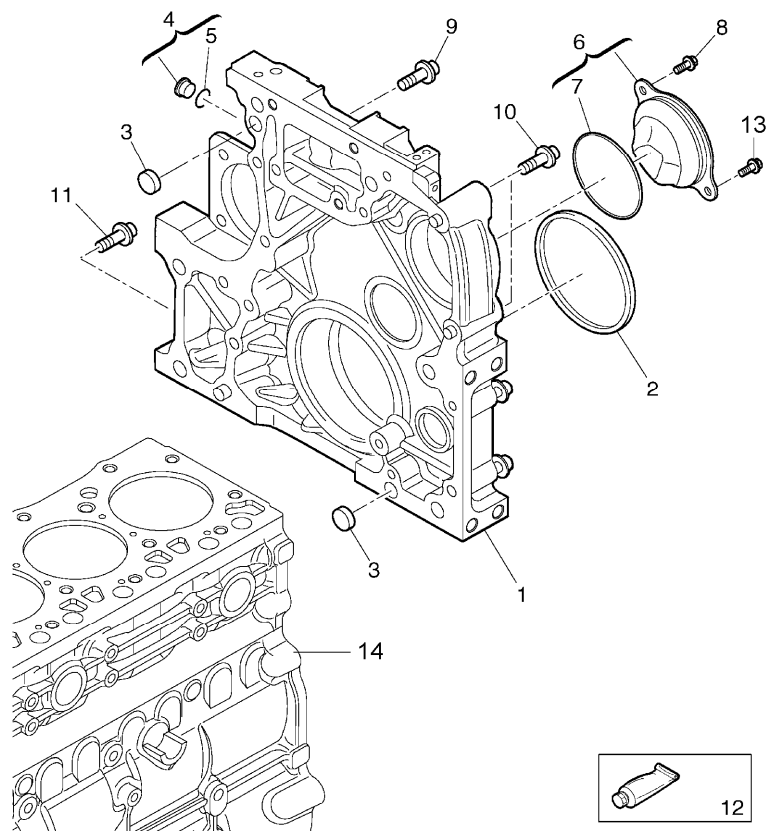
**A-05  
04**



A0504

Crankcase covers

RP75\00006000.png



		Inglese
1	4206380M1	1 Coperch.
2	3688647M1 ● 6514306M1(1) 130x155x12,5	1 Ring
3	3688753M1	2 Screw
4	3688780M1 ● 704848A1(1) M18x1,5	1 Plug
5	3688781M1 ● 707405A1(1)	1 O ring
6	4208123M1	1 Coperch.
7	3689092M1	1 O ring
8	3688941M1 ● 710625A1(1) M8x1,25x20 mm	1 Screw
9	3688874M1 M16x1,5	1 Screw
10	3688671M1 M12x1,75	15 Screw
11	3688869M1	2 Screw
12	3688632M1 ● 3688632M2(1)	1 Adhesive
13	4208124M1 M8x1,25x23 mm	1 Screw
14	⊕ A-05 02 9	Crankcase

⊕ See page - reference number

● Replacement

Engine

G-MAX Tier 3 New Cab (2012- ) - RP75 - 135

RP75\00006001.png

A-05  
05



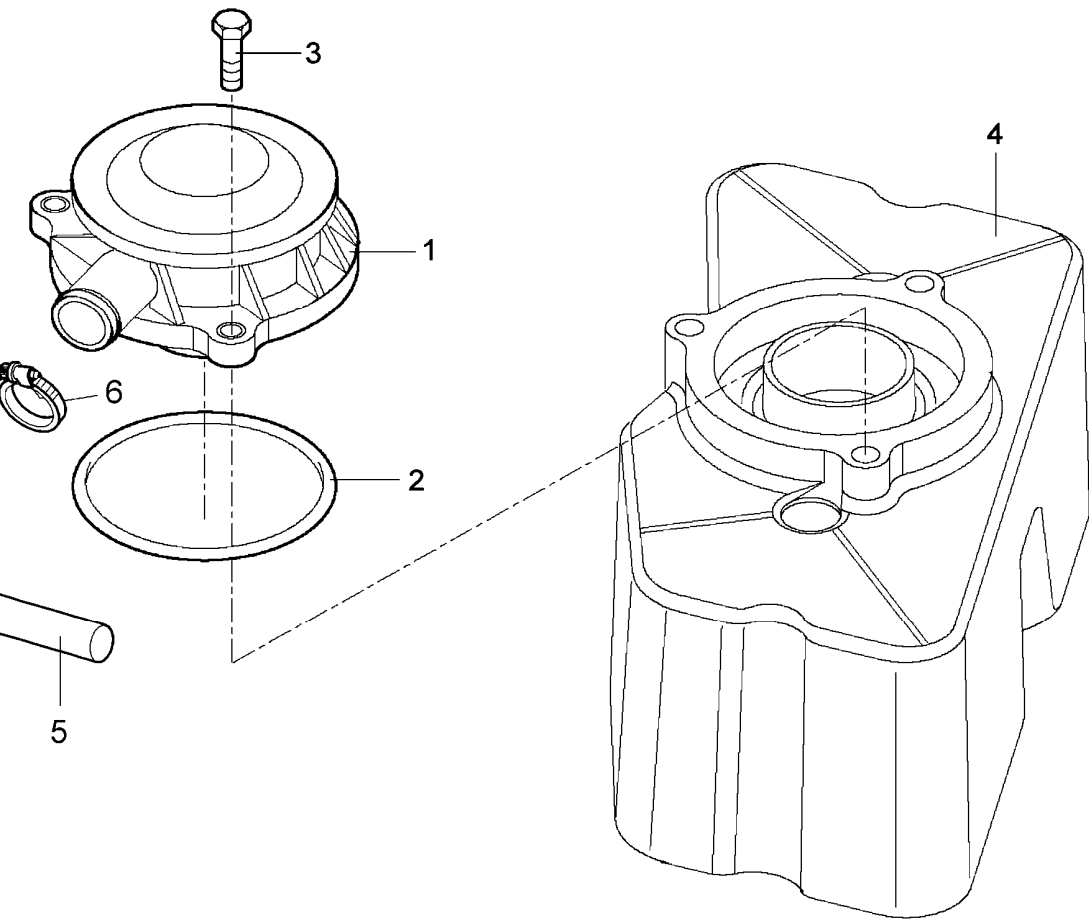
A0505

Engine breathers

Inglese

- 1 Valve
- 1 Gasket
- 3 Screw
- 1 Cover
- 1 Pipe
- 1 Clamp

- 1 707434A1
- 7435A1
- 38866M1 ● 705021A1(3)
- ⊕ A-05 07 7
- 34643M1
- 51942M1
- see page - reference number
- replacement



Engine

G-MAX Tier 3 New Cab (2012- ) - RP75 - 135

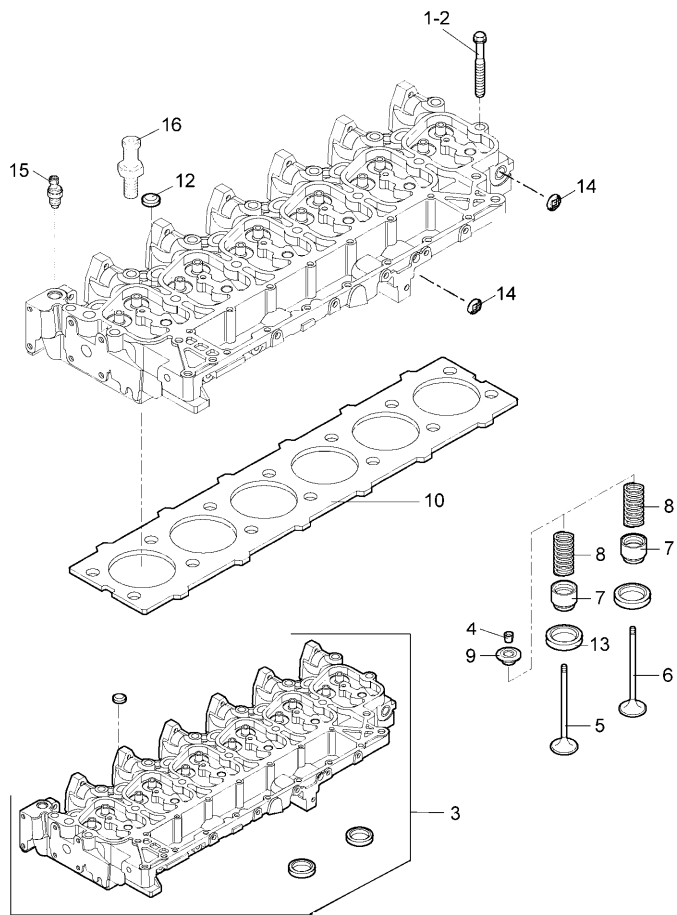
RP75\00006002.png

A-05  
06



A0506

Head cylinder



		Inglese	
1	704717A1	● 707391A1(6) M15x1,75	6 Screw
2	707390A1	M15x1,75	14 Screw
3	704877A1		1 Head
4	704804A1		24 Half cone
5	704807A1		6 Valve
6	704806A1		6 Valve
7	704836A1		12 Cap
8	704821A1		12 Spring
9	704805A1		12 Cup
10	704652A1	▲ 1,15 mm └ 707379a1 ● N.L.S.(1) ▲ =1,25 mm └ 704652a1	1 Gasket
10	707379A1		1 Gasket
11	704922A1		6 Valve seat
12	704802A1		3 Plug
13	704921A1		Valve seat
14	704784A1		2 Plug
15	4217672M1	◁ D-00 04 5 A B	1 Sensor
15	705080A1	● 4217672M1(1) A	1 Transmitter
16	705133A1		1 Union

Engine

G-MAX Tier 3 New Cab (2012- ) - RP75 - 135

**A-05**  
**06**

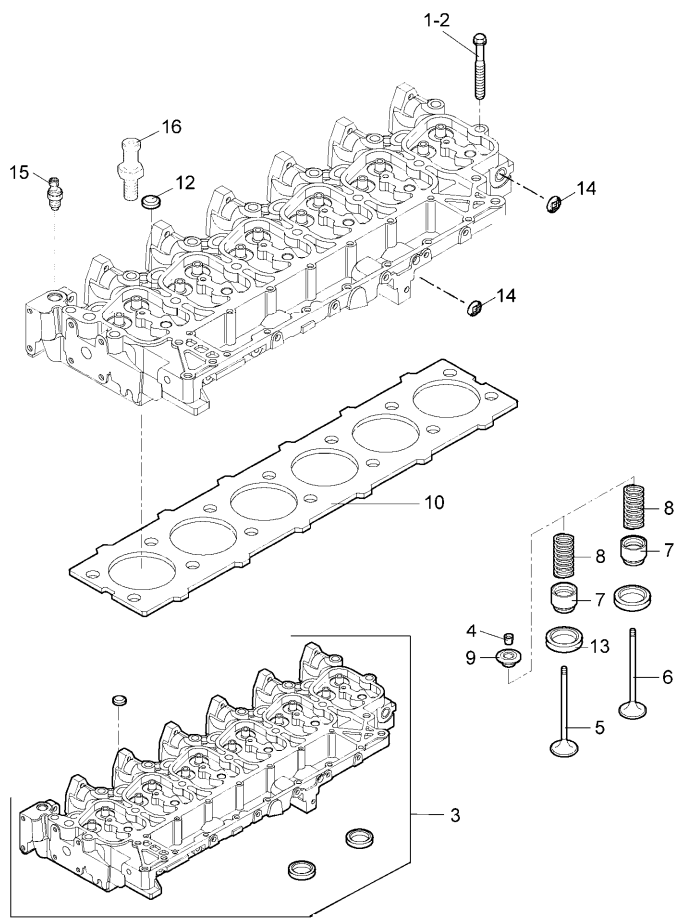


A0506

Head cylinder

RP75\00006002.png

- See page - reference number
- Alternative
- Shim
- Replacement
- A Engine water temperature
- B For markets climi freddi



Engine

G-MAX Tier 3 New Cab (2012- ) - RP75 - 135

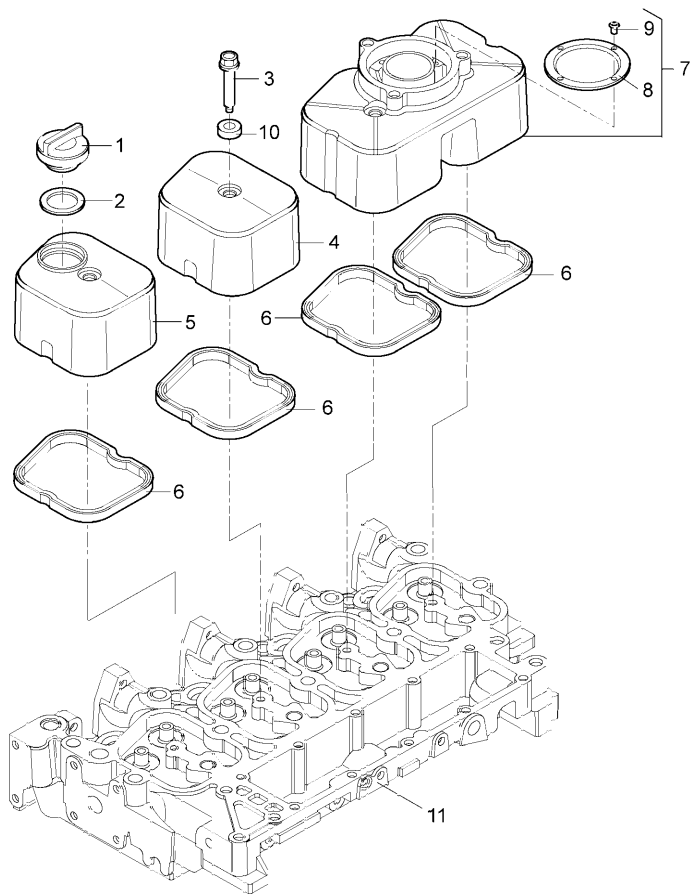
RP75\00006003.png

A-05  
07



A0507

Cylinder head cover



- 1 4208125M1
- 2 4208126M1
- 3 704820A1 M8x1,25
- 4 705188A1
- 5 4208127M1
- 6 705147A1
- 7 704650A1
- 8 707378A1
- 9 704576A1
- 10 707403A1
- 11 A-05 06 3
- See page - reference number

Inglese

- 1 Plug
- 1 Gasket
- 6 Screw
- 3 Coperch.
- 1 Coperch.
- 6 Gasket
- 1 Cover
- 1 Ring
- 4 Screw
- 6 Ring
- Head

Engine

G-MAX Tier 3 New Cab (2012- ) - RP75 - 135

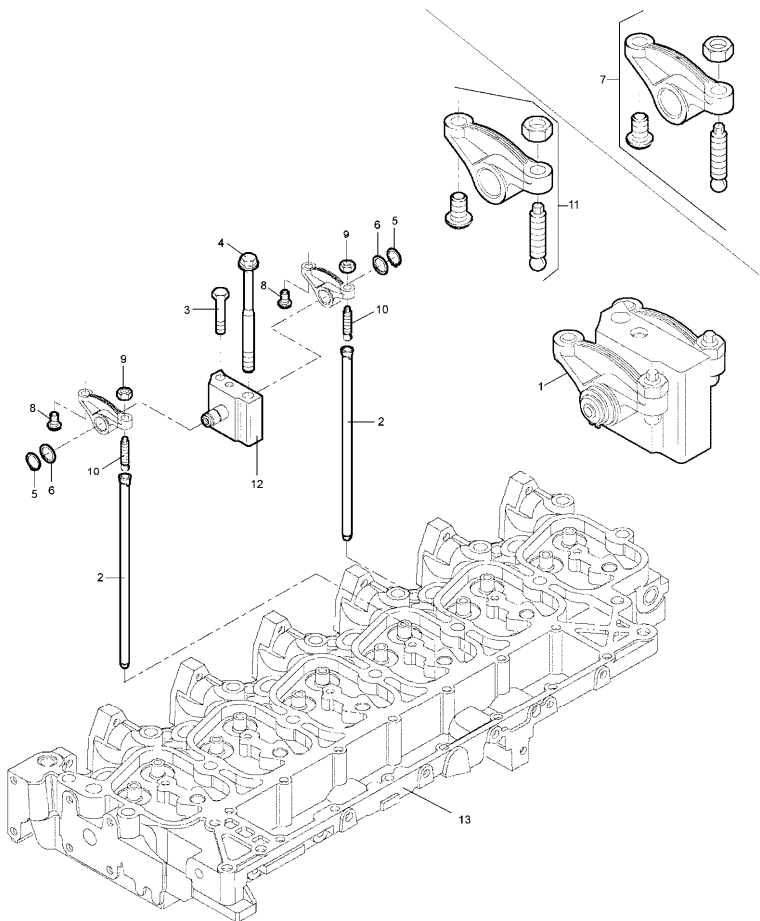
RP75\00006004.png

A-05  
08



A0508

Rocker arm



- 1 704809A1
- 2 704841A1
- 3 4208128M1 M8x1,25x60 mm
- 4 704716A1 M12x1,75
- 5 704843A1
- 6 704844A1
- 7 704810A1
- 8 704845A1
- 9 704812A1
- 10 704813A1
- 11 704814A1
- 12 704816A1
- 13 A-05 06 3

Inglese

- 6 Shaft
- 12 Rod
- 6 Screw
- 6 Screw
- 12 Ring
- 12 Washer
- 6 Rocker
- 12 Ball pin
- 12 Nut
- 12 Screw
- 6 Rocker
- 6 Support
- Head

See page - reference number

Engine

G-MAX Tier 3 New Cab (2012- ) - RP75 - 135

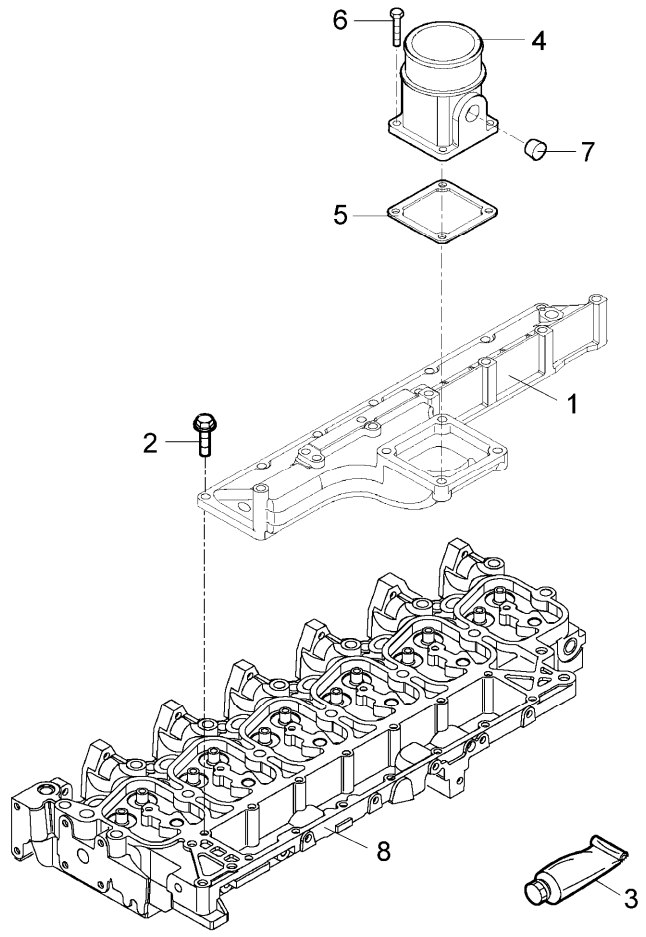
RP75\00006005.png

A-05  
09



A0509

Induction manifold



		Inglese
1	705187A1	1 Cover
2	3688850M1 M8x1,25x25 mm	10 Screw
3	3688633M1 ● 6500933M1(1)	1 Adhesive
4	4208129M1	1 Duct
5	705061A1 ● 6500220M1(1)	1 Gasket
6	3688850M1 M8x1,25x25 mm	4 Screw
7	3688683M1	1 Plug
8	◁ A-05 06 3	Head
◁	See page - reference number	
●	Replacement	

Engine

G-MAX Tier 3 New Cab (2012- ) - RP75 - 135

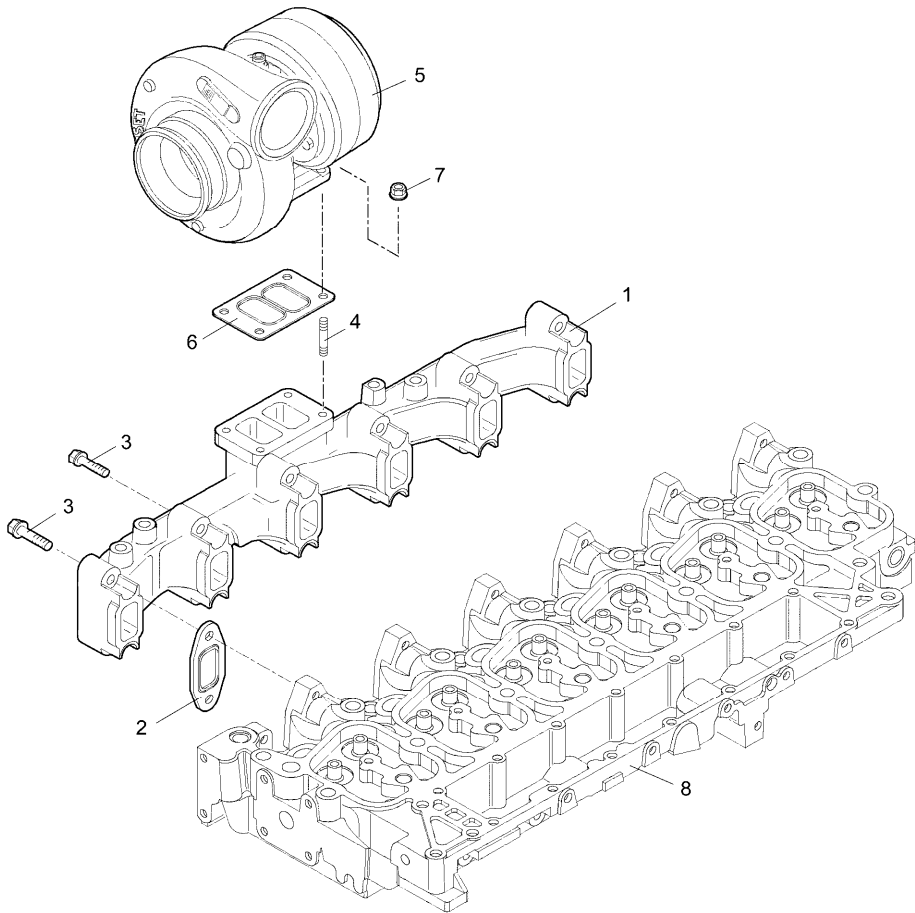
RP75\00006006.png

A-05  
10



A0510

Exhaust manifold



- |   |           |                          |         |    |              |
|---|-----------|--------------------------|---------|----|--------------|
| 1 | 704607A1  |                          | Inglese | 1  | Manifold     |
| 2 | 705273A1  |                          |         | 6  | Gasket       |
| 3 | 3688774M2 | M10x1,5x65 mm            |         | 12 | Worm         |
| 4 | 3688861M1 | ● 705008A1(4)<br>M10x1,5 |         | 4  | Screw        |
| 5 | 708801A1  |                          |         | 1  | Turbocharger |
| 6 | 3688770M1 |                          |         | 1  | Gasket       |
| 7 | 3688862M1 | M10x1,5                  |         | 4  | Nut          |
| 8 |           | ◁ A-05 06 3              |         |    | Head         |
- ◁ See page - reference number  
● Replacement

Engine

G-MAX Tier 3 New Cab (2012- ) - RP75 - 135

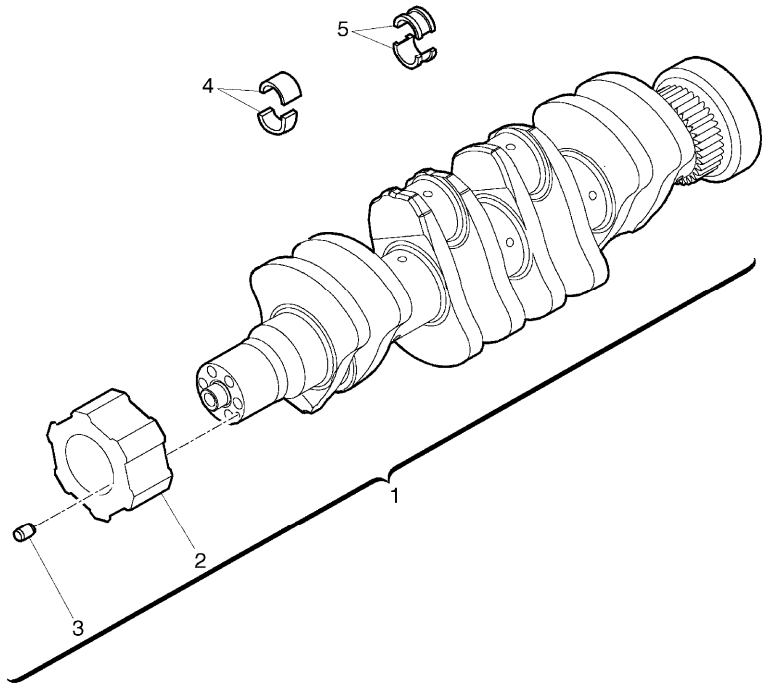
RP75\000022015.png

A-05  
11



A0511

Crankshaft



		Inglese	
1	3688630M1	● 3688630M2(1)	1 Shaft
2	4206387M1		1 Bushing
3	3688851M1	● 704992A1(1)	1 Screw
4	3688637M1	Std.	6 Cuscinet
4	3688638M1	-0.250	6 Cuscinet
4	3688639M1	-0.500	6 Cuscinet
5	3688634M1	Std.	1 Cuscinet
5	3688635M1	-0.250	1 Bearing
5	3688636M1	-0.500	1 Cuscinet
●	Replacement		

Engine

G-MAX Tier 3 New Cab (2012- ) - RP75 - 135

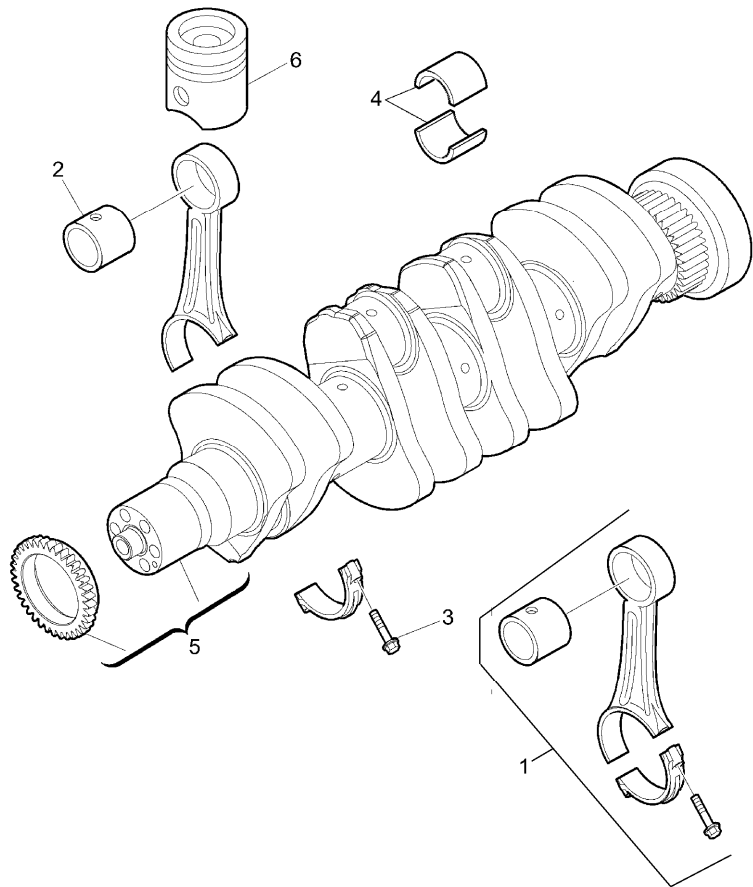
RP75\000022016.png

A-05  
12



A0512

Crank shaft - connecting rods



- 1 3688624M1
  - 2 3688675M1
  - 3 3688623M1
  - 4 3688880M1 Std
  - 4 4206388M1 -o,250
  - 4 4206389M1 -0,500
  - 5 A-05 11 1
  - 6 A-05 13 5
- See page - reference number

Inglese

- 6 Conrod
- 6 Bush
- 12 Screw
- 6 Cuscinet
- 6 Cuscinet
- 6 Cuscinet
- 1 Shaft
- 6 Piston

Engine

G-MAX Tier 3 New Cab (2012- ) - RP75 - 135

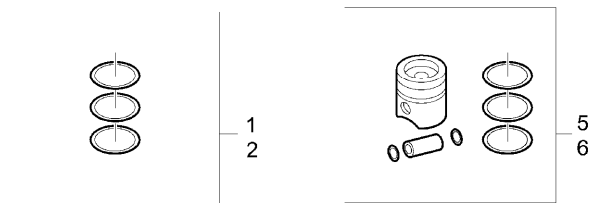
RP75\000021409.png

A-05  
13



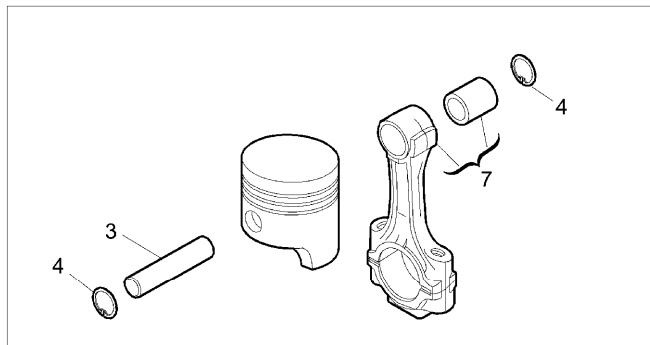
A0513

Piston assay piston rings - piston complete



- |   |           |    |              |    |        |
|---|-----------|----|--------------|----|--------|
| 1 | 706290A1  | ●  | 3688921M1(1) | 6  | Kit    |
| 2 | 707354A1  | ✕  | +0,4         | 6  | Kit    |
|   |           | ●  | 713981A1(6)  |    |        |
| 3 | 3688676M1 |    |              | 6  | Pin    |
| 4 | 3689087M1 |    |              | 12 | Ring   |
| 5 | 4208130M1 |    |              | 6  | Piston |
| 6 | 4208156M1 | ✕  | +0,4         | 6  | Piston |
| 7 |           | ◁▷ | A-05 12 1    | 6  | Conrod |

- ◁▷ See page - reference number
- ✕ Shim
- Replacement



Engine

G-MAX Tier 3 New Cab (2012- ) - RP75 - 135

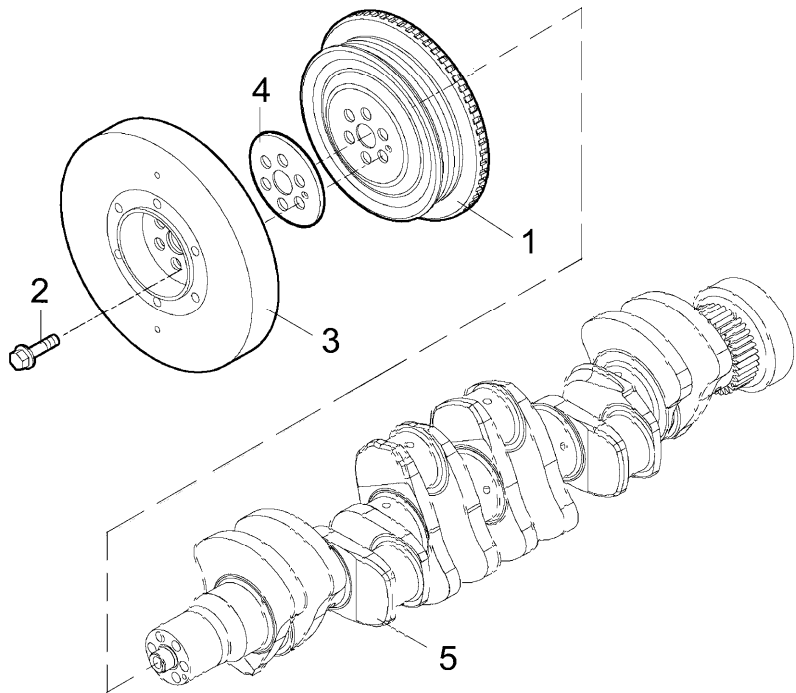
RP75\00006007.png

**A-05  
14**



A0514

Vibration damper



**Inglese**

- |   |           |                |   |                  |
|---|-----------|----------------|---|------------------|
| 1 | 3689094M1 |                | 1 | Pulley           |
| 2 | 3688681M1 | M12x1,5        | 6 | Screw            |
| 3 | 4208157M1 | ● 4208157M2(1) | 1 | Vibration damper |
| 4 | 4208158M1 |                | 1 | Spacer           |
| 5 |           | ◁ A-05 11 1    | 1 | Shaft            |
- ◁ See page - reference number  
● Replacement

Engine

G-MAX Tier 3 New Cab (2012- ) - RP75 - 135

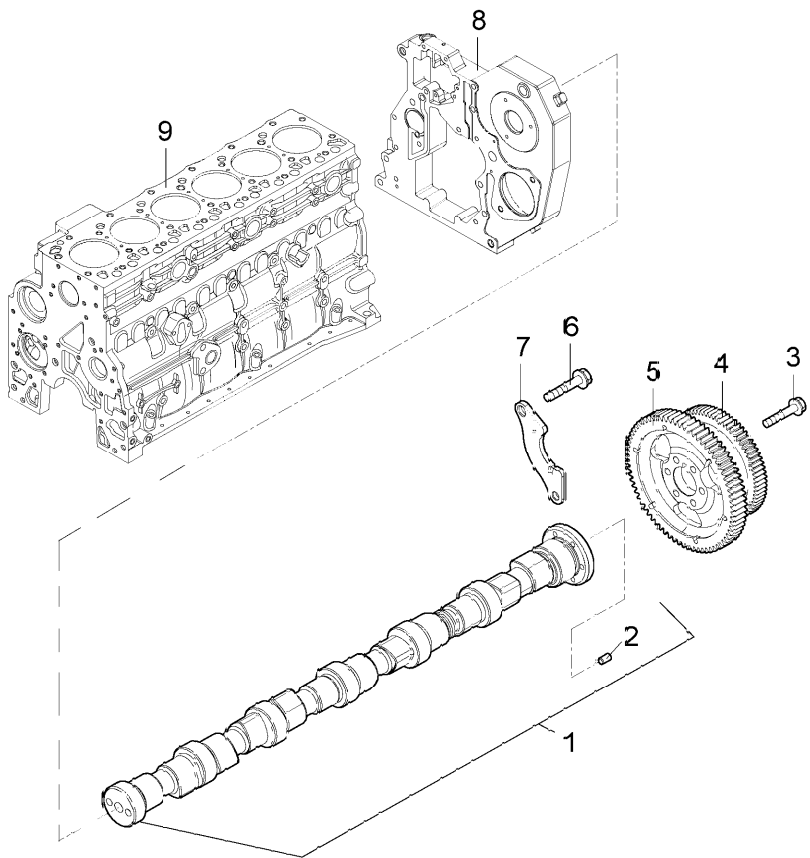
RP75\00006008.png

A-05  
15



A0515

Timing parts



- 1 4208161M1
- 2 3688857M1 ● 705005A1(1)
- 3 4208159M1
- 4 4208162M1
- 5 4208160M1
- 6 3688854M1 ● 704997A1(2)  
M8x17 mm
- 7 3688818M1 ● 704931A1(1)
- 8 ◁ A-05 04 1
- 9 ◁ A-05 02 9

Inglese

- 1 Shaft
- 1 Screw
- 6 Screw
- 1 Gear
- 1 Gear
- 2 Screw
- 1 Stirrup
- 1 Cover
- 1

- ◁ See page - reference number
- Replacement

Engine

G-MAX Tier 3 New Cab (2012- ) - RP75 - 135

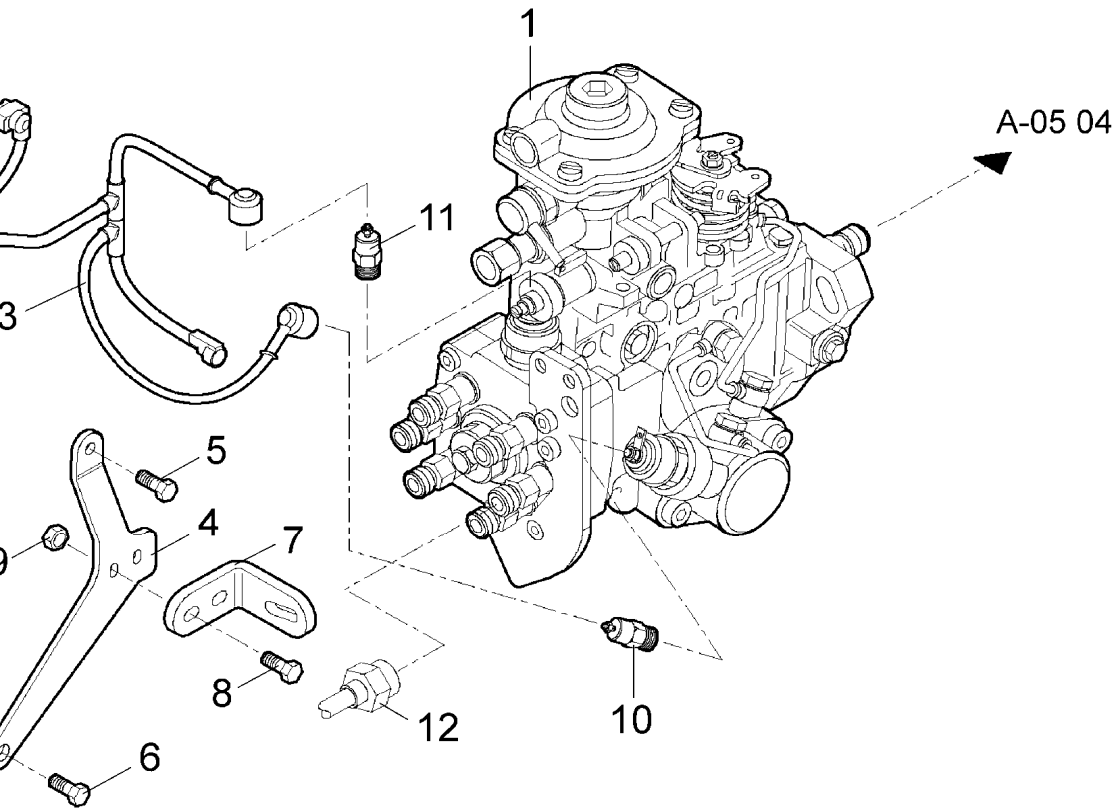
RP75\00006028.png

**A-05  
16**



A0516

Fuel injection pump



1 420822M1

1 4213703M1(1)

1

M1

M1

710625A1(1)  
M8x1,25x20 mm

1

M1

M1

M1

M1

M1

A-05 22 1

je - reference number  
ement

Inglese

1 Pump

1 Sensor

1 Cable

1 Console

1 Screw

1 Screw

1 Console

3 Screw

3 Nut

1 Magnet

1 Electro-valve

1 Pipe

Engine

G-MAX Tier 3 New Cab (2012- ) - RP75 - 135

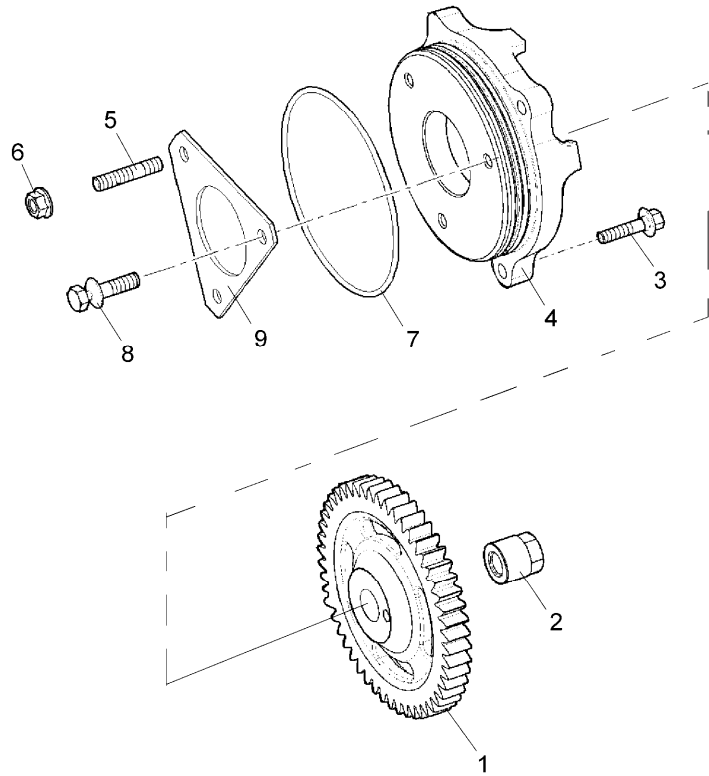
RP75\00006010.png

A-05  
17



A0517

Injection pump drive



		Inglese
1	4208168M1	1 Gear
2	4208169M1	1 Nut
3	3688853M1	3 Screw
4		1 Spacer
5	4208171M1	2 Screw
6	3688948M1	2 Nut
7	3689000M1	1 O ring
8	4208172M1	1 Screw
9	710622A1	1 Gasket
▲	Shim	

▲ =3,53 mm  
Ø120,24 mm

Engine

G-MAX Tier 3 New Cab (2012- ) - RP75 - 135

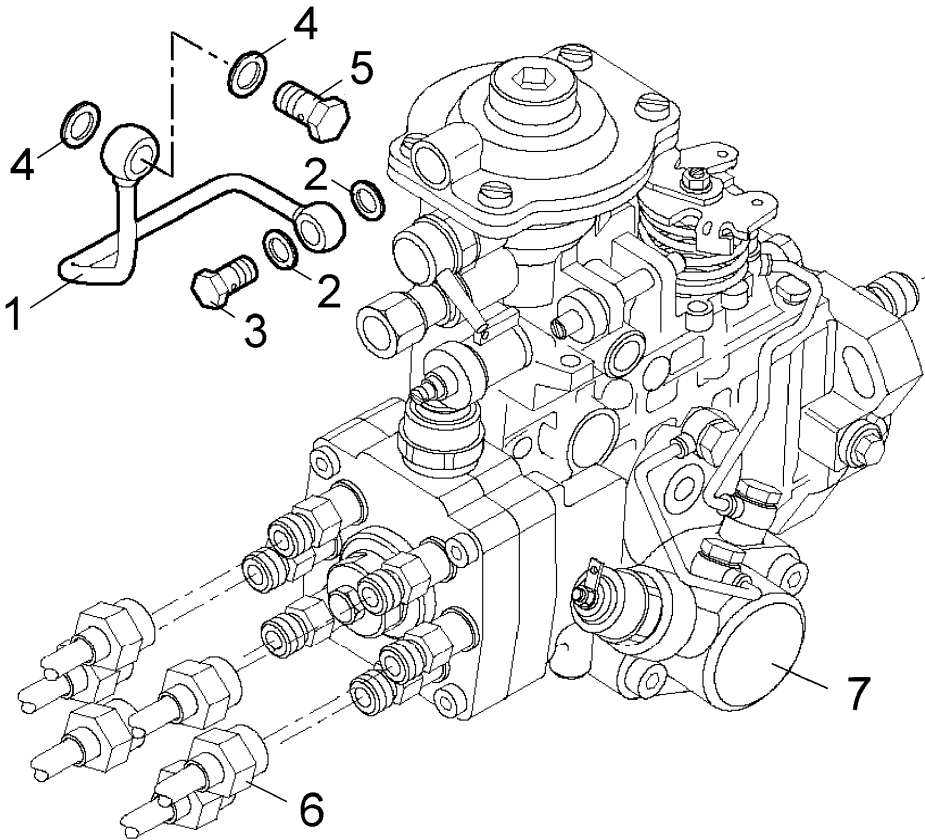
RP75\00006011.png

A-05  
18



A0518

Injection pipes



- |   |                             |                        |  |          |
|---|-----------------------------|------------------------|--|----------|
| 1 | 704634A1                    |                        |  | 1 Pipe   |
| 2 | 704633A1                    |                        |  | 2 Gasket |
| 3 | 704621A1                    |                        |  | 1 Filler |
| 4 | 704558A1                    | ≡ =1 mm<br>Ø10x13,5 mm |  | 2 Gasket |
| 5 | 704556A1                    | ● 6515434M1(1)         |  | 1 Filler |
| 6 |                             | ◊ A-05 22 1            |  | 1 Pipe   |
|   |                             | ◊ A-05 16 1            |  | 1 Pump   |
| ▷ | See page - reference number |                        |  |          |
| ◄ | Shim                        |                        |  |          |
| D | Replacement                 |                        |  |          |

Inglese

Engine

G-MAX Tier 3 New Cab (2012- ) - RP75 - 135

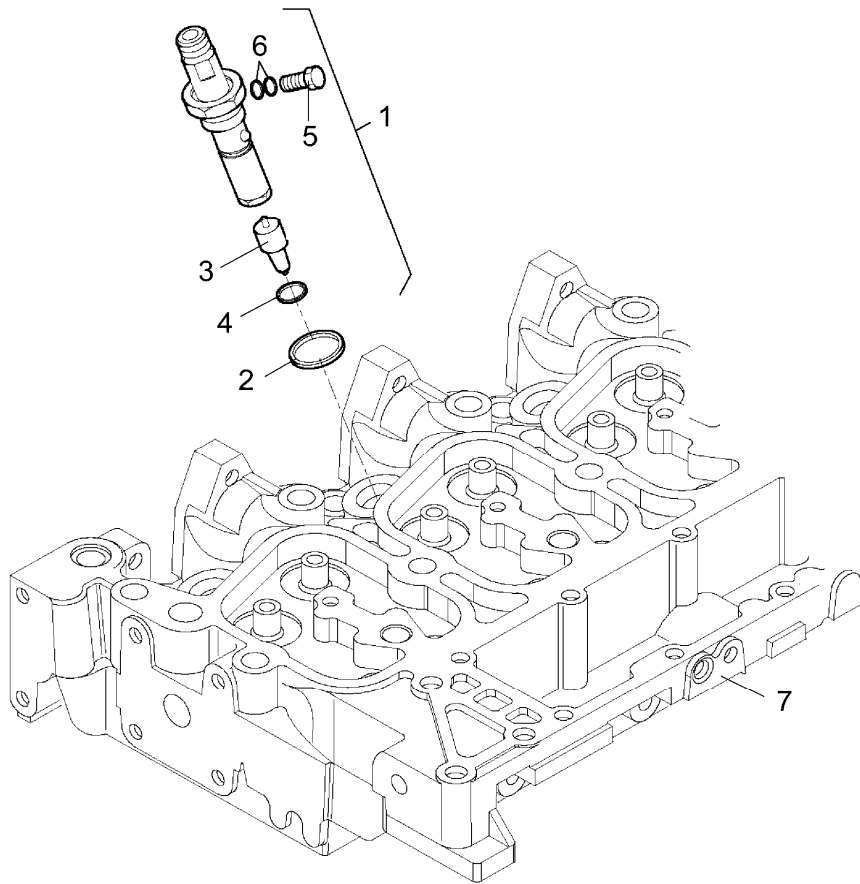
RP75\00006012.png

**A-05  
19**



A0519

Nozzles



- 1 4208173M1
- 2 707401A1
- 3 4208174M1
- 4 4208343M1
- 5 4208176M1 M8x1
- 6 4208177M1 Ø6x10 mm
- 7 A-05 06 3
- See page - reference number

**Inglese**

- 6 Nozzle
- 6 Gasket
- 6 Nozzle
- 6 Washer
- 6 Filler
- 12 Ring
- 1 Head

Engine

G-MAX Tier 3 New Cab (2012- ) - RP75 - 135

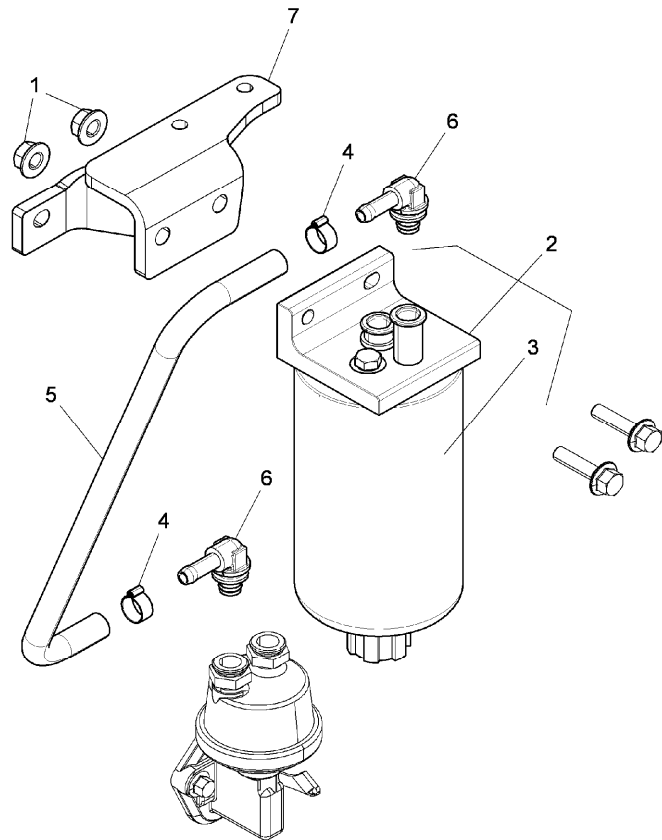
RP75\00041833.png

A-05  
20



A0520

Heavy duty fuel filter



- 1 4208180M1
- 2 6507443M91
- 3 6508562M91 ! 2
- 4 3647035M1
- 5 6500786M1
- 6 3692722M91
- 7 4208178M1

Inglese

- 2 Nut
- 1 Filter
- 1 Cartridge
- 2 Clamp
- 1 Pipe
- 2 Union
- 1 Support

! This is a component of an assembly

Engine

G-MAX Tier 3 New Cab (2012- ) - RP75 - 135

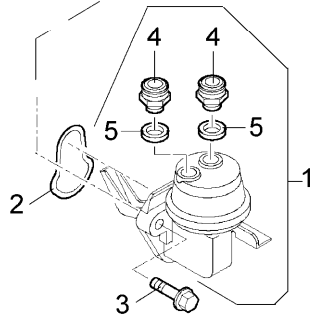
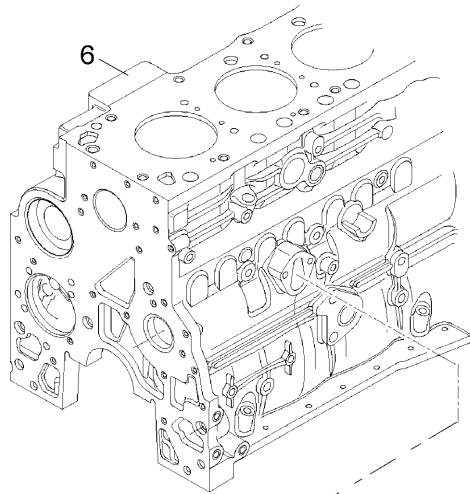
RP75\00006014.png

A-05  
21



A0521

Fuel pump



		Inglese	
1	707371A1	● 3688650M1(2), 3688754M1(2), 6507275M91(1)	1 Pump
2	707370A1		1 Ring
3	3688849M1	● 3688856M1(1) M8x25 mm	2 Screw
4	3688650M1	! 1 M12x1,5	2 Union
5	3688754M1	! 1	2 Ring
6		◁ A-05 2 9	
!		This is a component of an assembly	
◁		See page - reference number	
●		Replacement	

Engine

G-MAX Tier 3 New Cab (2012- ) - RP75 - 135

A-05  
22



A0522

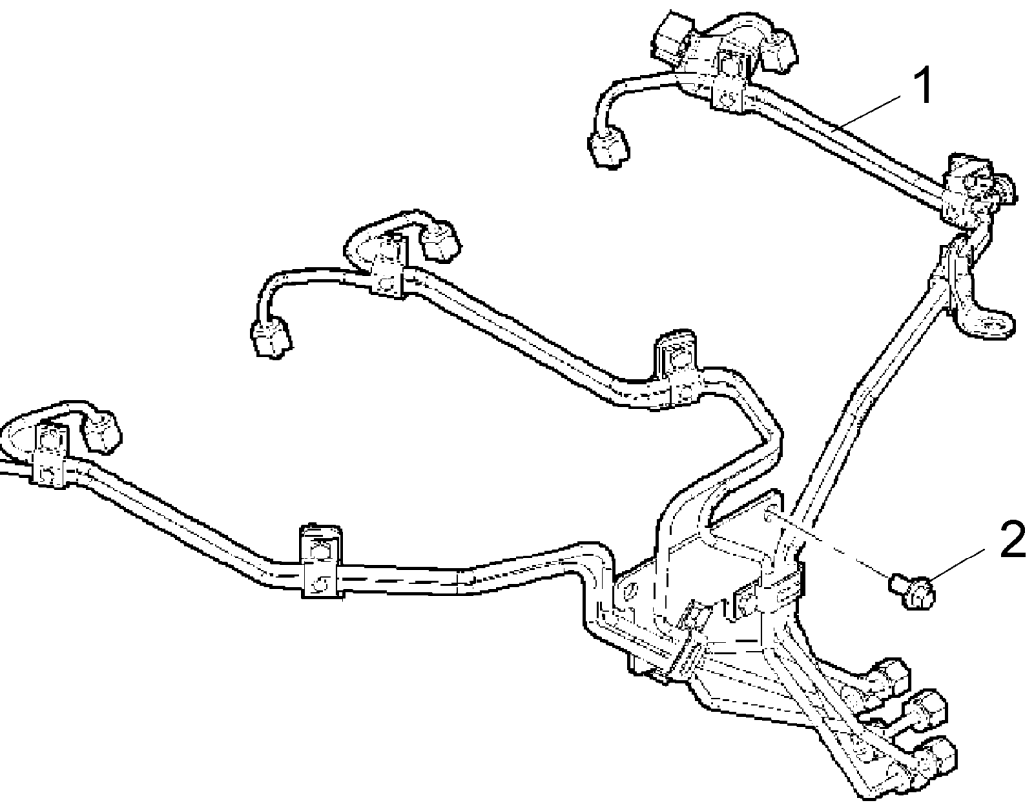
Injection pipes

RP75\00006015.png

- 1 420236M1  
J4A1

Inglese

- 1 Pipe
- 2 Screw



Engine

G-MAX Tier 3 New Cab (2012- ) - RP75 - 135

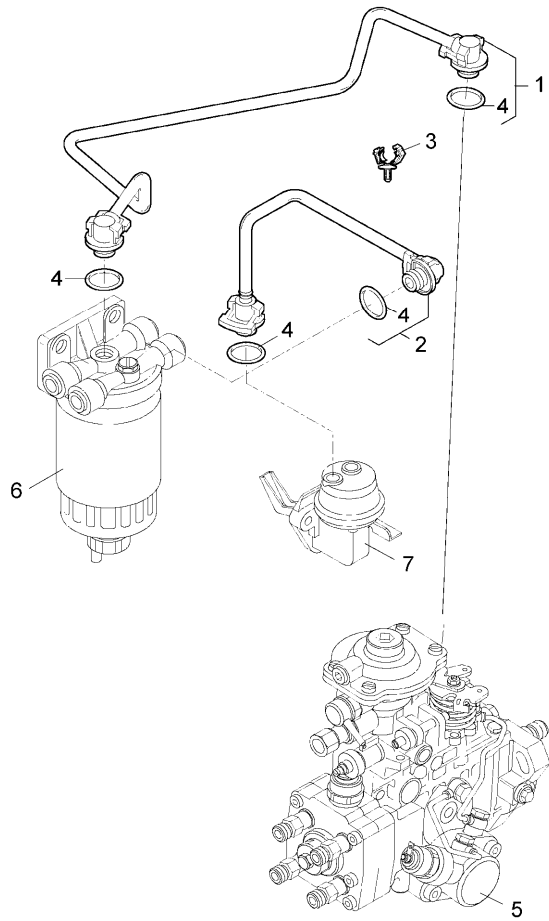
RP75\00006016.png

A-05  
23



A0523

Fuel lines



- 1 4208237M1
- 2 4208238M1
- 3 705191A1
- 4 3688690M1
- 5 A-05 16 1
- 6 A-05 20 1
- 7 A-05 21 1
- See page - reference number

Inglese

- 1 Pipe
- 1 Pipe
- 2 Clip
- 4 O ring
- 1 Pump
- 1 Filter
- 1 Pump, fuel

Engine

G-MAX Tier 3 New Cab (2012- ) - RP75 - 135

RP75\00006017.png

**A-05  
24**

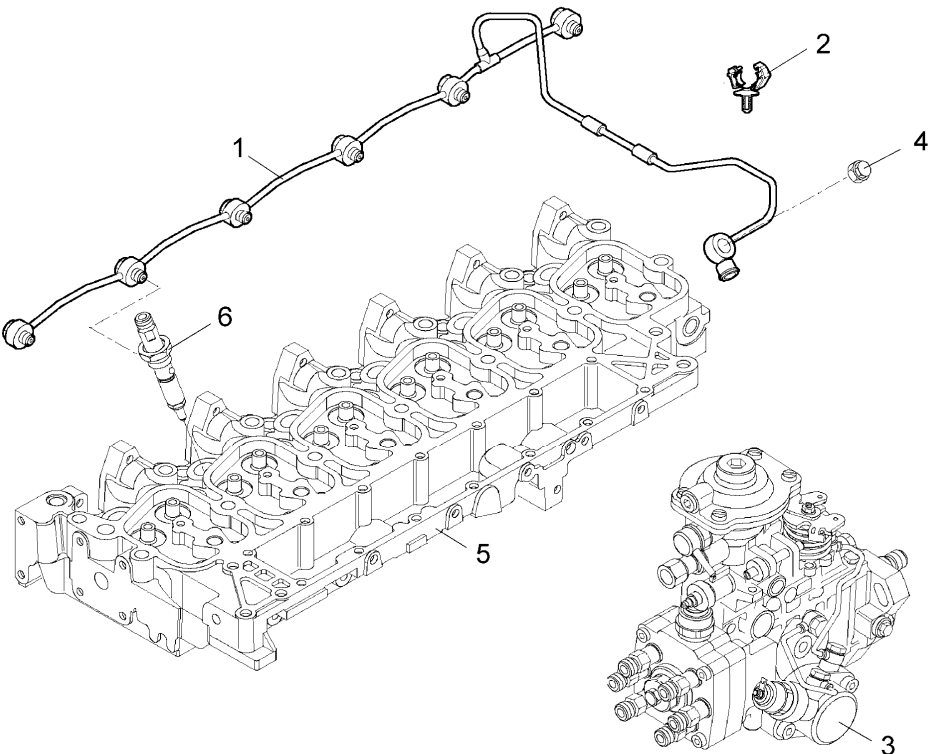


A0524

Fuel lines

**Inglese**

- |   |                             |             |          |
|---|-----------------------------|-------------|----------|
| 1 | 705208A1                    |             | 1 Pipe   |
| 2 | 705191A1                    |             | 1 Clip   |
| 3 |                             | ⊕ A-05 16 1 | 1 Pump   |
| 4 |                             | ⊕ A-05 16 2 | 1 Sensor |
| 5 |                             | ⊕ A-05 06 3 | 1 Head   |
| 6 |                             | ⊕ A-05 19 1 | 1 Nozzle |
| ⊕ | See page - reference number |             |          |





**Suggest:**

**For more complete manuals. Please go to the home page.**

**<https://www.ebooklibonline.com>**

**If the above button click is invalid. Please download this document first, and then click the above link to download the complete manual.**

**Thank you so much for reading**

Engine

G-MAX Tier 3 New Cab (2012- ) - RP75 - 135

RP75\000021421.png

A-05  
25



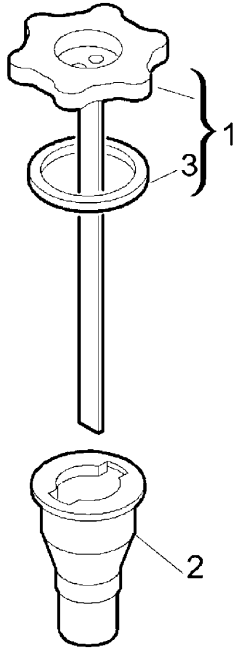
A0525

Oil dipstick

- 1 4208239M1
- 2 3688653M1
- 3 3689017M1

Inglese

- 1 Dipstick
- 1 Pipe
- 1 Gasket



Engine

G-MAX Tier 3 New Cab (2012- ) - RP75 - 135

RP75\00006018.png

A-05  
26



A0526

Oil gauge

Inglese

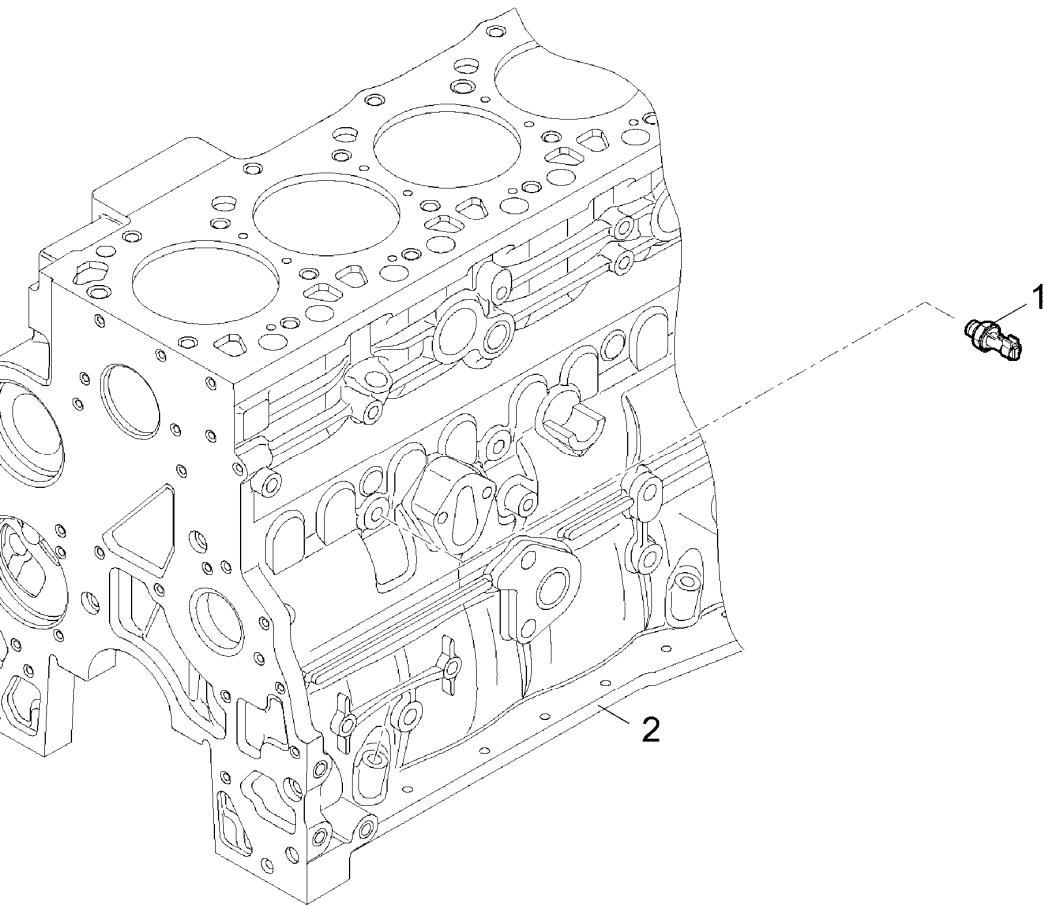
1 1208240M1

◀ A-05 2 9

See page - reference number

1 Switch

1



**<https://www.ebooklibonline.com>**

Hello dear friend!

Thank you very much for reading.

Enter the link into your browser.

The full manual is available for immediate download.

**<https://www.ebooklibonline.com>**