

Engine

G-MAX Tier 3 New Cab (2012-) - RP75 - 125

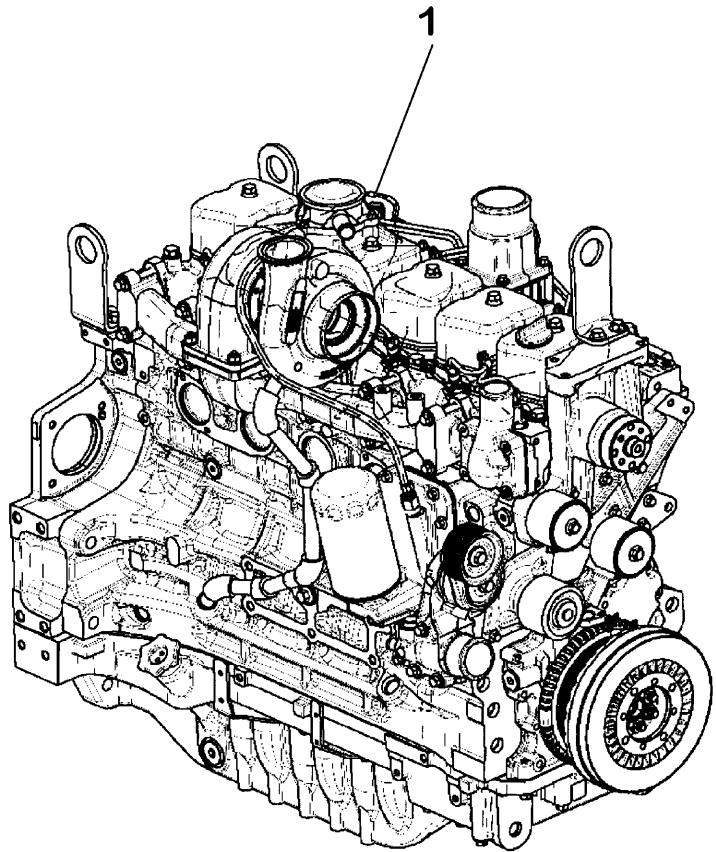
RP75\00005363.png

A-05
01



A0501

Engine assembly



		Inglese
1	3691630M91 ● 3691630M92(1)	1 Engine
	"tier 3" - 86 kw	
1	6511059M91 "tier 3" - 86 kw	1 Engine
	A	
	B	
	C	
●	Replacement	
A	Flexibility engine	
B	For market "cee"	
C	For market "n.a.o."	

Engine

G-MAX Tier 3 New Cab (2012-) - RP75 - 125

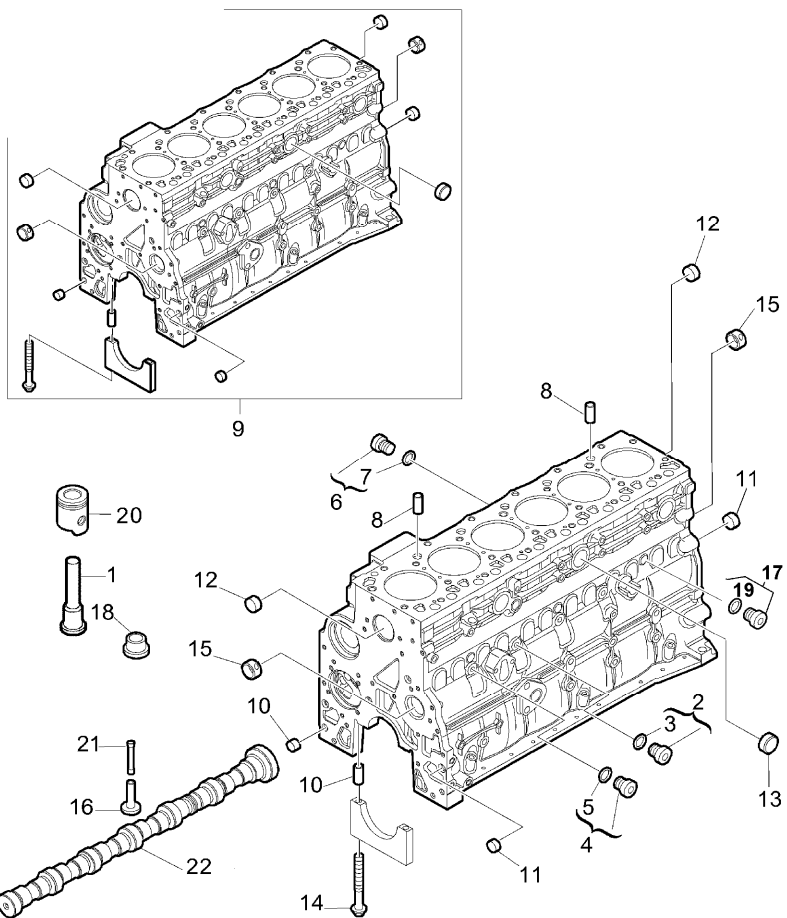
RP75\00005435.png

A-05
02



A0502

Crankcase



Inglese

- | | | | |
|----|-----------|---|----------------------------------------|
| 1 | 3688809M1 | | 6 Jet |
| 2 | 3689350M1 | ● | 1 Plug
M14x1,5 |
| 3 | 3688868M1 | | 1 O ring |
| 4 | 3688822M1 | ● | 3 Plug
M10x1 |
| 5 | 3688855M1 | | 3 O ring |
| 6 | 3688780M1 | ● | 3 Plug
Assy m18x1,5 |
| 7 | 3688781M1 | ● | 3 O ring |
| 8 | 3688761M1 | | 2 Dowel pin |
| 9 | 3688626M1 | | 1 Crankcase |
| 10 | 3688824M1 | ● | 14 Dowel pin |
| 11 | 3688758M1 | | 2 Plug
17,73x6,35x1,07 |
| 12 | 3688757M1 | | 6 Plug
58,06x8,25x1,52 |
| 13 | 3688775M1 | | 3 Plug
35,23x7,94x1,52 |
| 14 | 3688673M1 | ● | 14 Screw
M12x120 mm |
| 15 | 3688759M1 | | 2 Bearing |
| 16 | 704803A1 | | 1 Register |
| 17 | 3688800M1 | ● | 1 Plug
M16x1,5 mm assy |
| 18 | 3688628M1 | | 1 Splasher |
| 19 | 3688994M1 | ⊗ | 1 Toroidal seal
=2,6 mm
Ø13,9 mm |

Engine

G-MAX Tier 3 New Cab (2012-) - RP75 - 125

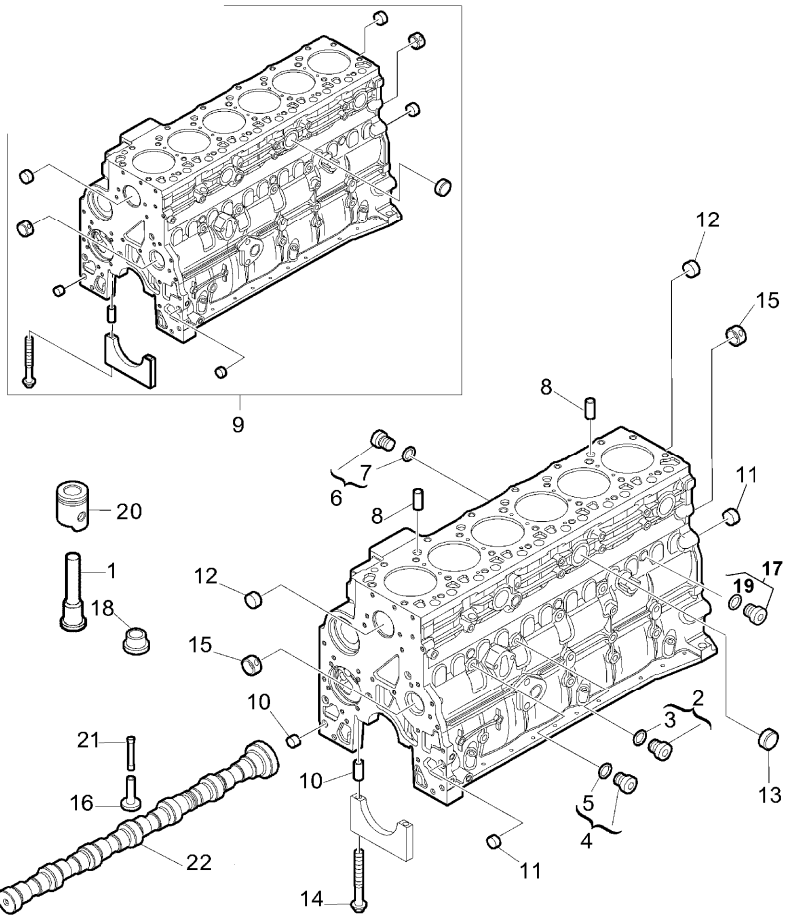
RP75\00005435.png

A-05
02



A0502

Crankcase



- 20 ◊ A-05 13 5
- 21 ◊ A-05 08 2
- 22 ◊ A-05 15 1

- ◊ See page - reference number
- ◊ Shim
- Replacement

Inglese

- 1 Piston
- 1 Shaft
- 1 Camshaft

<https://www.ebooklibonline.com>

Hello dear friend!

Thank you very much for reading.

Enter the link into your browser.

The full manual is available for immediate download.

<https://www.ebooklibonline.com>

Engine

G-MAX Tier 3 New Cab (2012-) - RP75 - 125

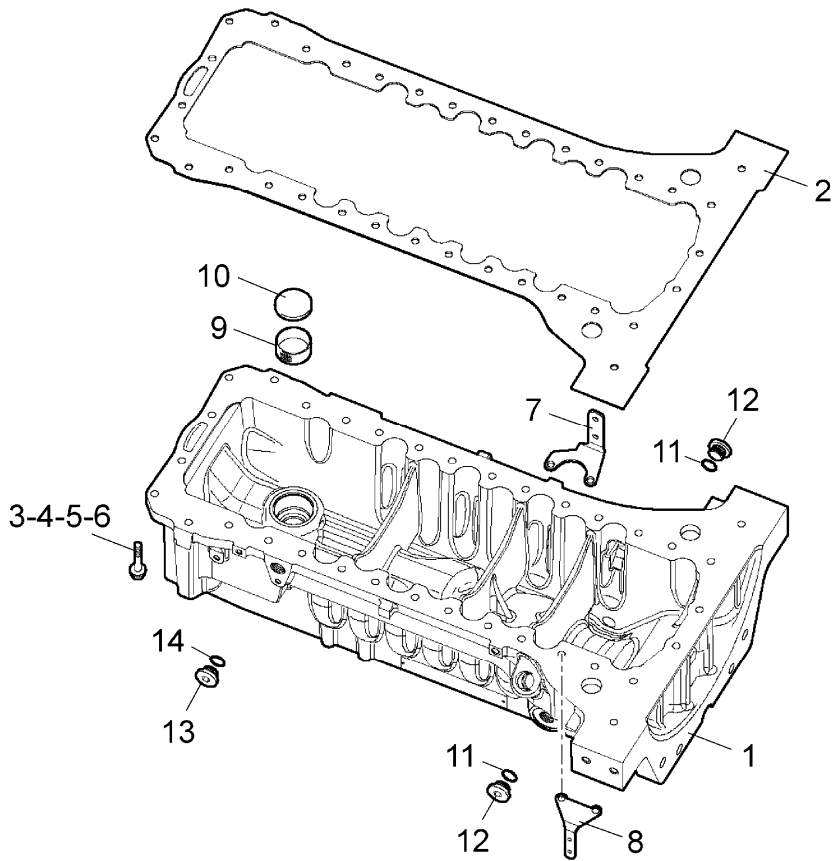
A-05
03



A0503

Oil sump

RP75\00006027.png



		Inglese
1	4208117M1	1 Pan
2	3688752M1 (X) 1.3.5.	1 Gasket
3	3688778M1	2 Screw
4	3688679M1 M10x90 mm	24 Screw
5	4208118M1	6 Screw
6	3688678M1 M10x190 mm	2 Screw
7	4208119M1	1 Stirrup
8	4208120M1	2 Stirrup
9	3688803M1	1 Filter
10	3688804M1	1 Plug
11	3688997M1	2 O ring
12	3688691M1 M22x1,5	2 Plug
13	4208121M1	1 Plug
14	4208122M1 Δ =1,5 mm	1 Gasket
	\bullet 6528826M1(1) Ø18x26 mm	

Δ Shim

\bullet Replacement

(X) Qty per tractors sold (aa.bbb.ccc.ddd) (aa) for 1,(bbb) 2-10 (ccc) 11-25 (ddd) 26-50

Engine

G-MAX Tier 3 New Cab (2012-) - RP75 - 125

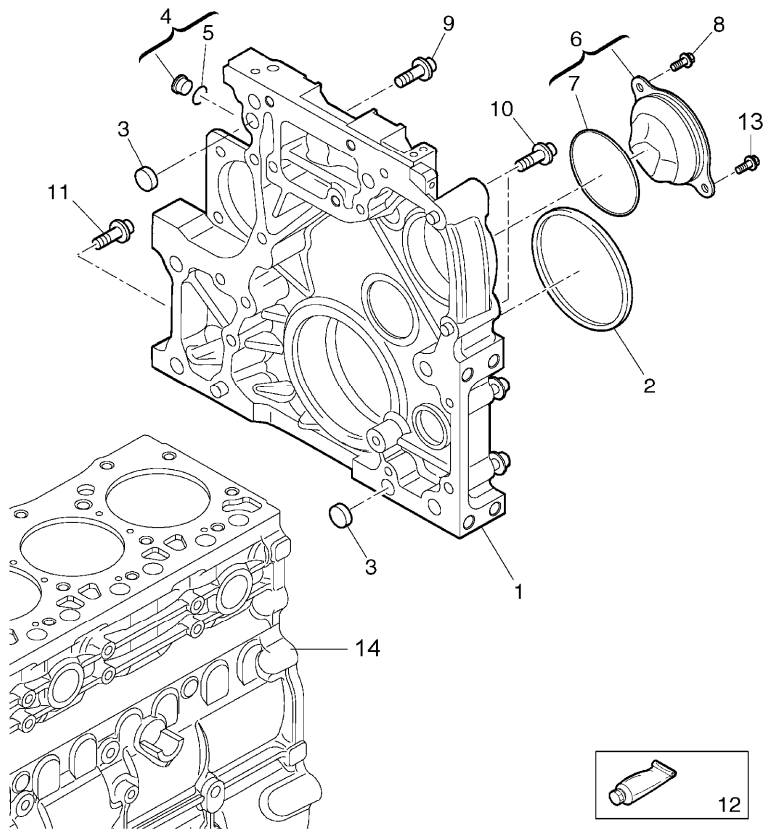
RP75\00006000.png

**A-05
04**



A0504

Crankcase covers



Inglese

1	4206380M1		1 Coperch.
2	3688647M1	● 6514306M1(1) 130x155x12,5	1 Ring
		(X)	
3	3688753M1		2 Screw
4	3688780M1	● 704848A1(1) M18x1,5	1 Plug
5	3688781M1	● 707405A1(1)	1 O ring
6	4208123M1		1 Coperch.
7	3689092M1		1 O ring
8	3688941M1	● 710625A1(1) M8x1,25x20 mm	1 Screw
9	3688874M1	M16x1,5	1 Screw
10	3688671M1	M12x1,75	15 Screw
11	3688869M1		2 Screw
12	3688632M1	● 3688632M2(1)	1 Adhesive
13	4208124M1	M8x1,25x23 mm	1 Screw
14	⊕ A-05 02 9		Crankcase
⊕	See page - reference number		
●	Replacement		
(X)	Qty per tractors sold (aa.bbb.ccc.ddd) (aa) for 1,(bbb) 2-10 (ccc) 11-25 (ddd) 26-50		

Engine

G-MAX Tier 3 New Cab (2012-) - RP75 - 125

RP75\00006001.png

A-05
05



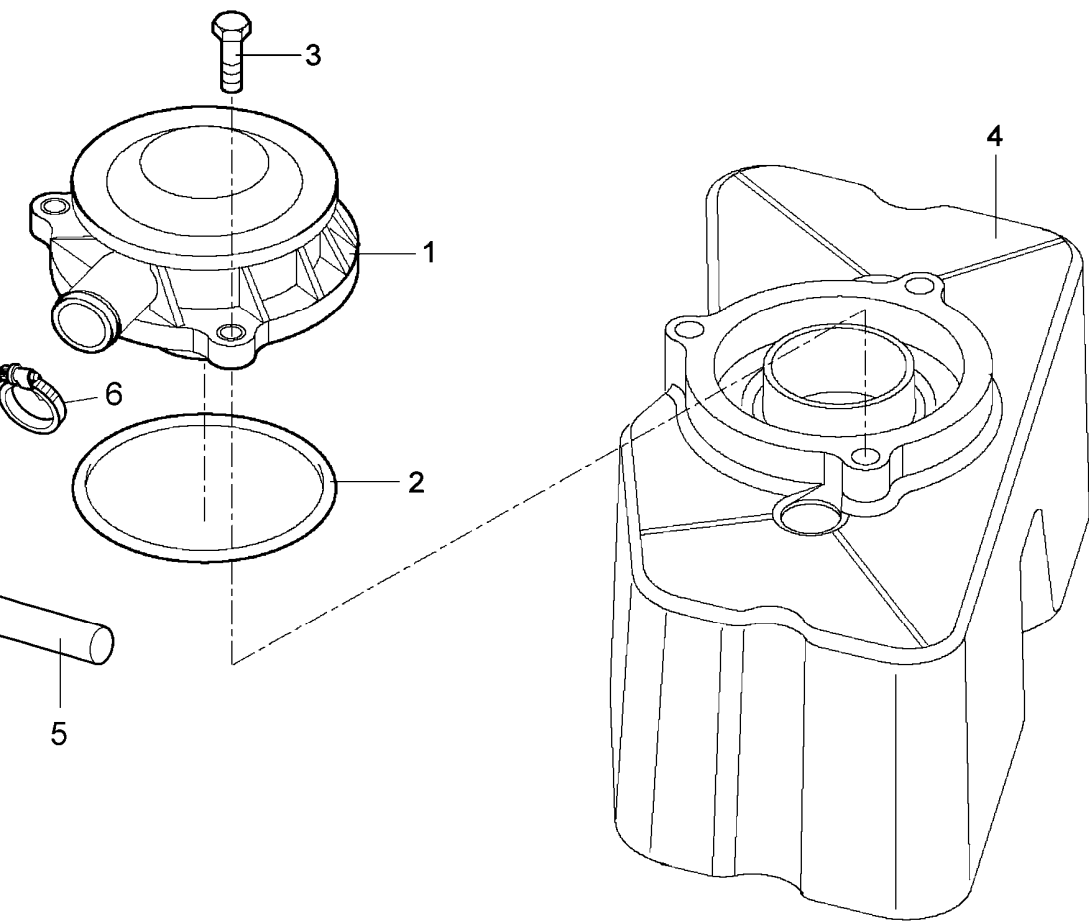
A0505

Engine breathers

Inglese

- 1 Valve
- 1 Gasket
- 3 Screw
- 1 Cover
- 1 Pipe
- 1 Clamp

- 1 707434A1
- 7435A1
- 38866M1 ● 705021A1(3)
- ⊕ A-05 07 7
- 34643M1
- 51942M1
- see page - reference number
- replacement



Engine

G-MAX Tier 3 New Cab (2012-) - RP75 - 125

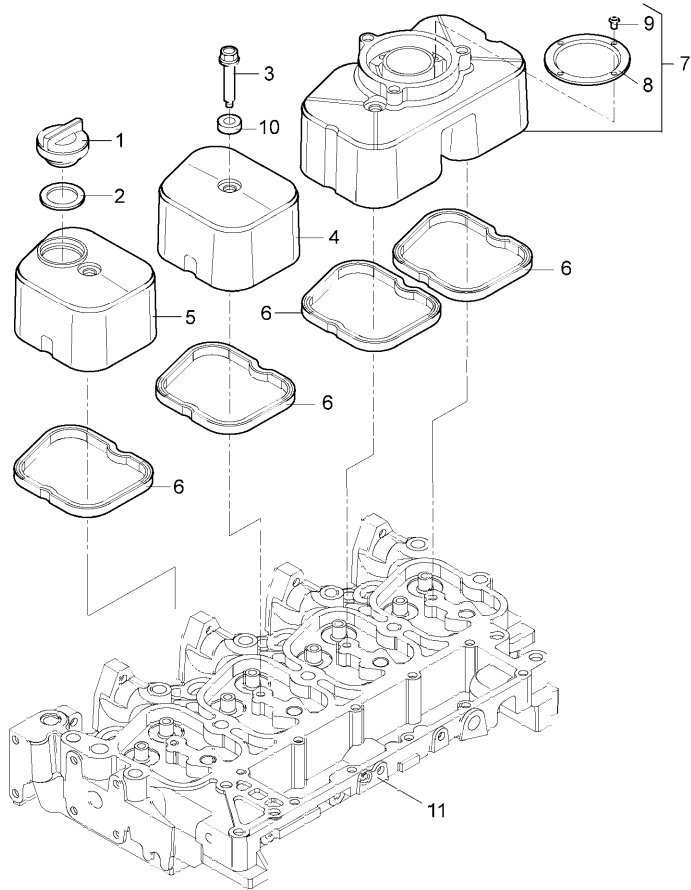
RP75\00006003.png

A-05
07



A0507

Cylinder head cover



- 1 4208125M1
 - 2 4208126M1
 - 3 704820A1 M8x1,25
 - 4 705188A1
 - 5 4208127M1
 - 6 705147A1
 - 7 704650A1
 - 8 707378A1
 - 9 704576A1
 - 10 707403A1
 - 11 A-05 06 3
- See page - reference number

Inglese

- 1 Plug
- 1 Gasket
- 6 Screw
- 3 Coperch.
- 1 Coperch.
- 6 Gasket
- 1 Cover
- 1 Ring
- 4 Screw
- 6 Ring
- Head

Engine

G-MAX Tier 3 New Cab (2012-) - RP75 - 125

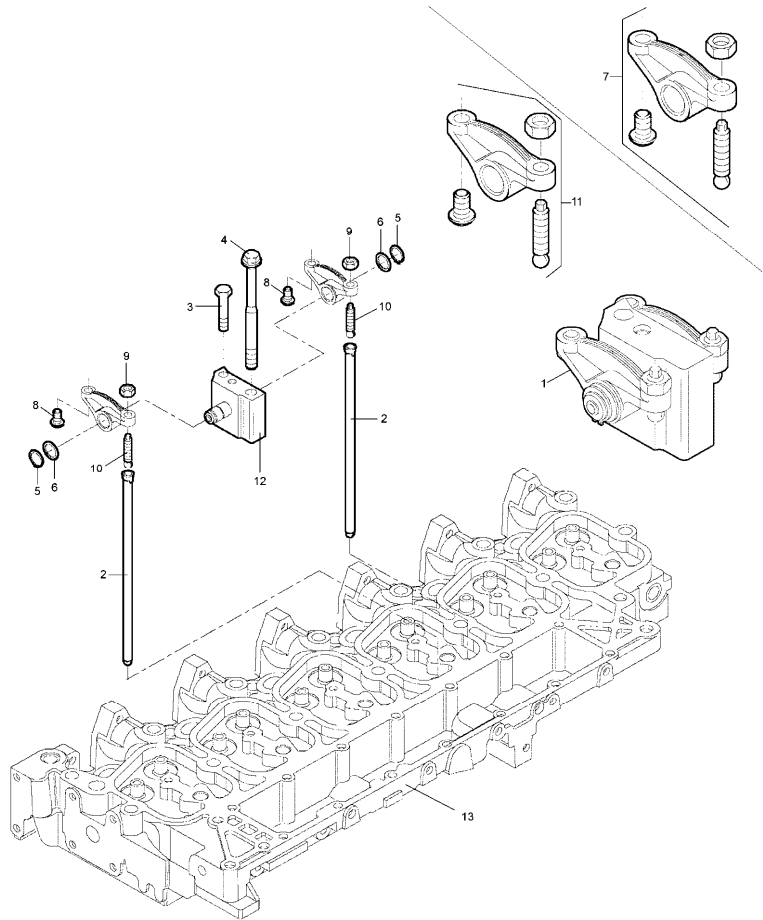
RP75\00006004.png

A-05
08



A0508

Rocker arm



- | | | | | | |
|----|-----------------------------|---------------|--------------|----|----------|
| 1 | 704809A1 | | | | |
| 2 | 704841A1 | | | | |
| 3 | 4208128M1 | M8x1,25x60 mm | | 6 | Screw |
| 4 | 704716A1 | M12x1,75 | | 6 | Screw |
| 5 | 704843A1 | | | 12 | Ring |
| 6 | 704844A1 | | | 12 | Washer |
| 7 | 704810A1 | | | 6 | Rocker |
| 8 | 704845A1 | | | 12 | Ball pin |
| 9 | 704812A1 | | | 12 | Nut |
| 10 | 704813A1 | | | 12 | Screw |
| 11 | 704814A1 | | | 6 | Rocker |
| 12 | 704816A1 | | | 6 | Support |
| 13 | | | <> A-05 06 3 | | Head |
| <> | See page - reference number | | | | |

Inglese

Engine

G-MAX Tier 3 New Cab (2012-) - RP75 - 125

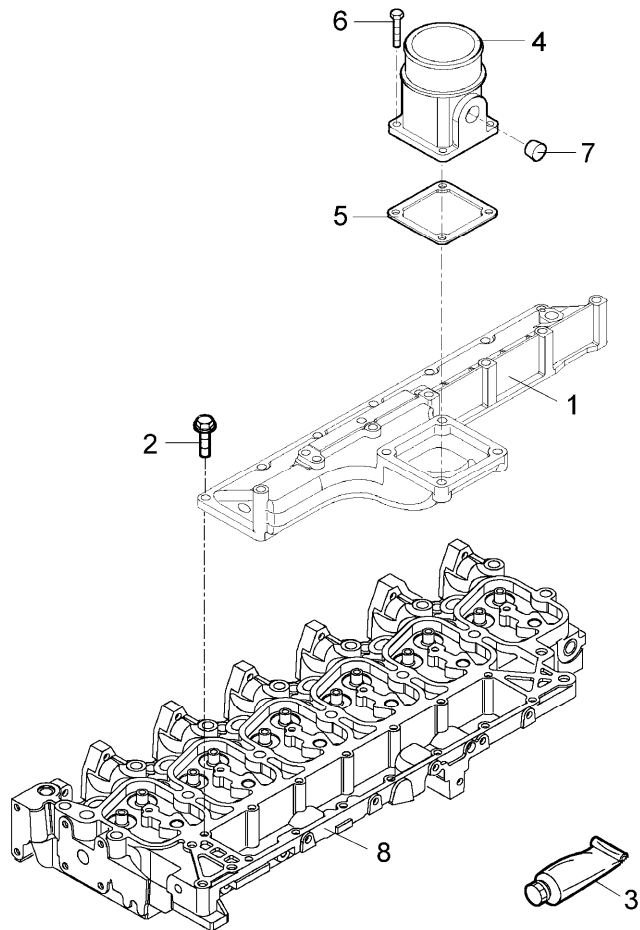
RP75\00006005.png

A-05
09



A0509

Induction manifold



			Inglese
1	705187A1		1 Cover
2	3688850M1	M8x1,25x25 mm	10 Screw
3	3688633M1	● 6500933M1(1)	1 Adhesive
4	4208129M1		1 Duct
5	705061A1	● 6500220M1(1)	1 Gasket
6	3688850M1	M8x1,25x25 mm	4 Screw
7	3688683M1		1 Plug
8		◁ A-05 06 3	Head
◁	See page - reference number		
●	Replacement		

Engine

G-MAX Tier 3 New Cab (2012-) - RP75 - 125

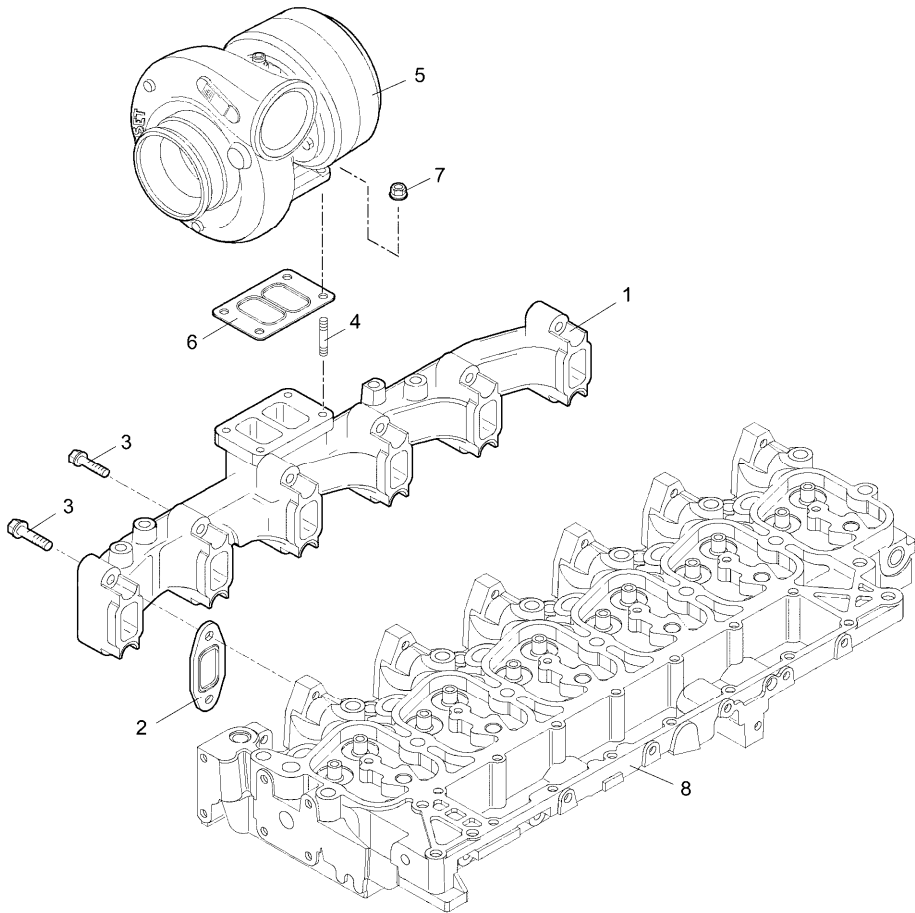
RP75\00006006.png

A-05
10



A0510

Exhaust manifold



- | | | | | | |
|---|-------------|--------------------------|---------|----|--------------|
| 1 | 704607A1 | | Inglese | 1 | Manifold |
| 2 | 705273A1 | | | 6 | Gasket |
| 3 | 3688774M2 | M10x1,5x65 mm | | 12 | Worm |
| 4 | 3688861M1 | ● 705008A1(4)
M10x1,5 | | 4 | Screw |
| 5 | 708801A1 | | | 1 | Turbocharger |
| 6 | 3688770M1 | | | 1 | Gasket |
| 7 | 3688862M1 | M10x1,5 | | 4 | Nut |
| 8 | ⦿ A-05 06 3 | | | | Head |
- ⦿ See page - reference number
● Replacement

Engine

G-MAX Tier 3 New Cab (2012-) - RP75 - 125

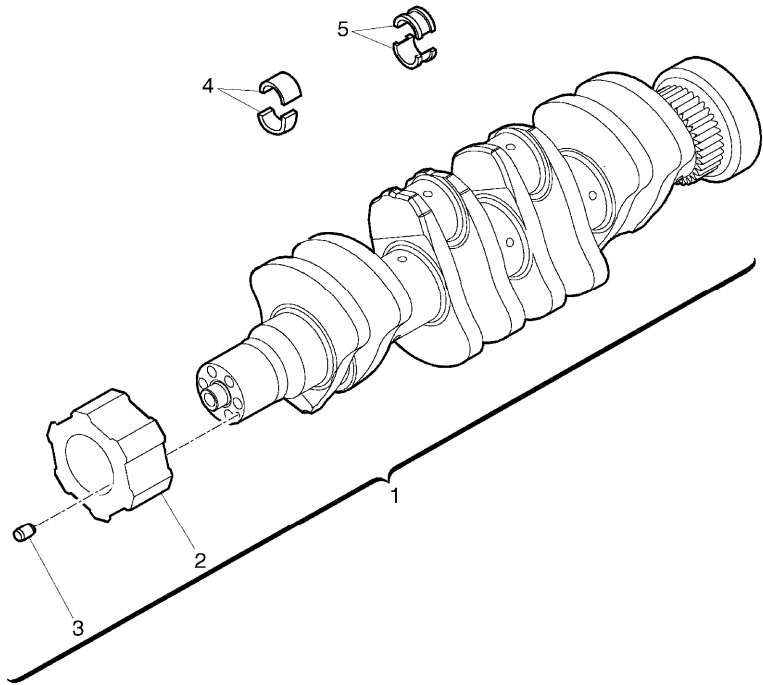
RP75\000022015.png

A-05
11



A0511

Crankshaft



		Inglese	
1	3688630M1	● 3688630M2(1)	1 Shaft
2	4206387M1		1 Bushing
3	3688851M1	● 704992A1(1)	1 Screw
4	3688637M1	Std.	6 Cuscinet
4	3688638M1	-0.250	6 Cuscinet
4	3688639M1	-0.500	6 Cuscinet
5	3688634M1	Std.	1 Cuscinet
5	3688635M1	-0.250	1 Bearing
5	3688636M1	-0.500	1 Cuscinet
●	Replacement		

Engine

G-MAX Tier 3 New Cab (2012-) - RP75 - 125

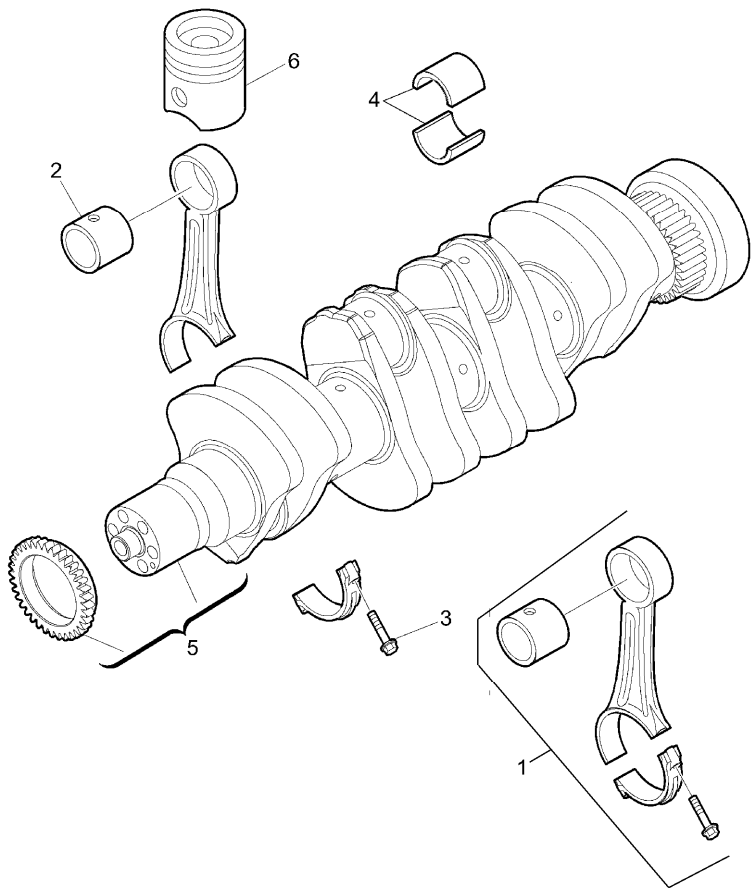
RP75\000022016.png

A-05
12



A0512

Crank shaft - connecting rods



- 1 3688624M1
 - 2 3688675M1
 - 3 3688623M1
 - 4 3688880M1 Std
 - 4 4206388M1 -o,250
 - 4 4206389M1 -0,500
 - 5 A-05 11 1
 - 6 A-05 13 5
- See page - reference number

Inglese

- 6 Conrod
- 6 Bush
- 12 Screw
- 6 Cuscinet
- 6 Cuscinet
- 6 Cuscinet
- 1 Shaft
- 6 Piston

Engine

G-MAX Tier 3 New Cab (2012-) - RP75 - 125

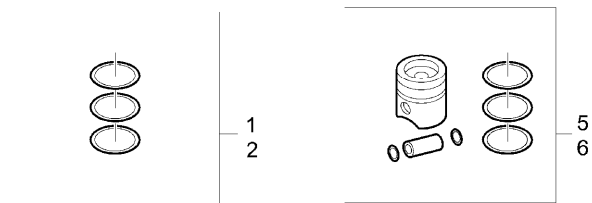
RP75\000021409.png

A-05
13



A0513

Piston assay piston rings - piston complete

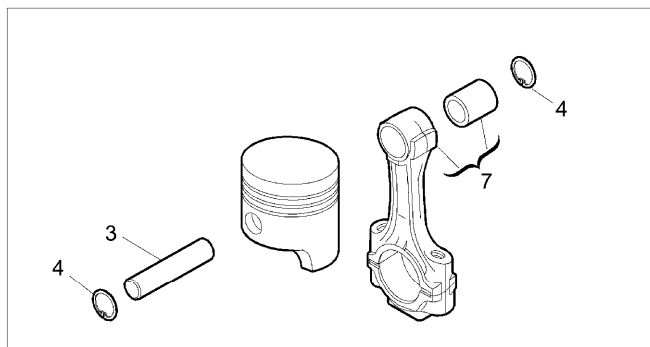


- | | | | | | |
|---|-----------|----|--------------|----|--------|
| 1 | 706290A1 | ● | 3688921M1(1) | 6 | Kit |
| 2 | 707354A1 | ✕ | +0,4 | 6 | Kit |
| | | ● | 713981A1(6) | | |
| 3 | 3688676M1 | | | 6 | Pin |
| 4 | 3689087M1 | | | 12 | Ring |
| 5 | 4208130M1 | | | 6 | Piston |
| 6 | 4208156M1 | ✕ | +0,4 | 6 | Piston |
| 7 | | ◁▷ | A-05 12 1 | 6 | Conrod |

◁▷ See page - reference number

✕ Shim

● Replacement



Engine

G-MAX Tier 3 New Cab (2012-) - RP75 - 125

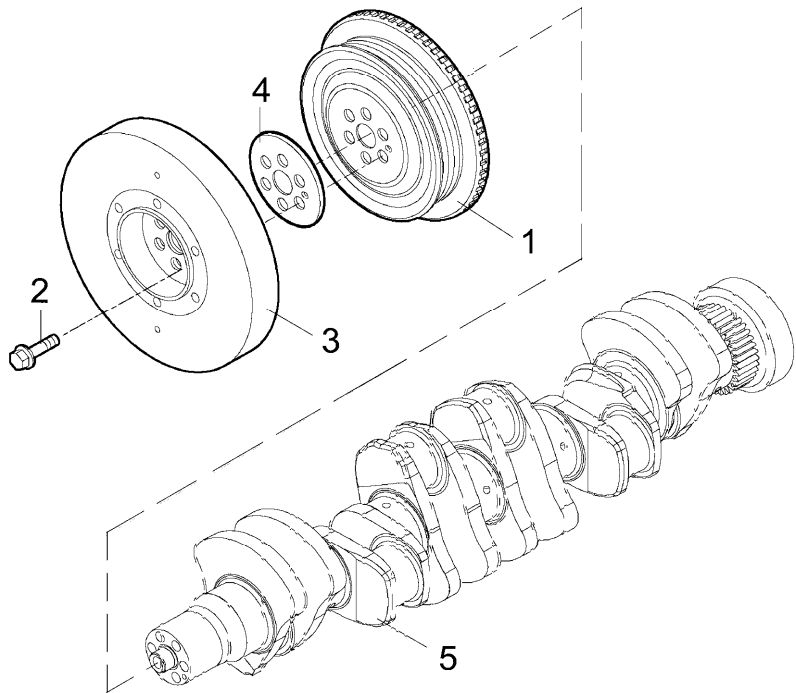
RP75\00006007.png

**A-05
14**



A0514

Vibration damper



Inglese

- | | | | | |
|---|-----------|----------------|---|------------------|
| 1 | 3689094M1 | | 1 | Pulley |
| 2 | 3688681M1 | M12x1,5 | 6 | Screw |
| 3 | 4208157M1 | ● 4208157M2(1) | 1 | Vibration damper |
| 4 | 4208158M1 | | 1 | Spacer |
| 5 | | ◁ A-05 11 1 | 1 | Shaft |
- ◁ See page - reference number
● Replacement

Engine

G-MAX Tier 3 New Cab (2012-) - RP75 - 125

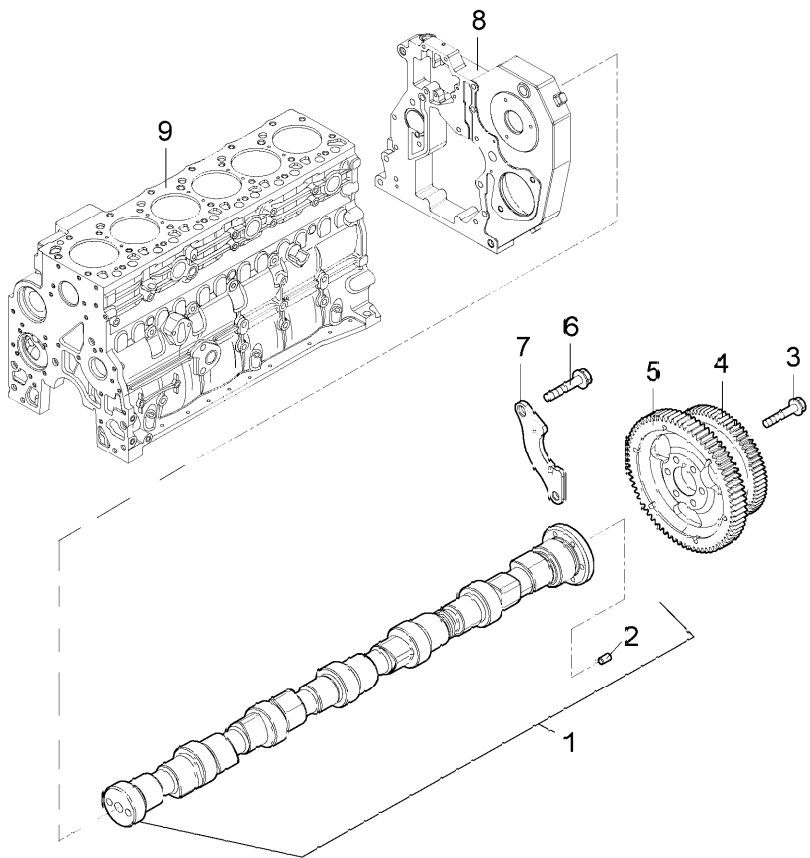
RP75\00006008.png

A-05
15



A0515

Timing parts



- 1 4208161M1
- 2 3688857M1 ● 705005A1(1)
- 3 4208159M1
- 4 4208162M1
- 5 4208160M1
- 6 3688854M1 ● 704997A1(2)
M8x17 mm
- 7 3688818M1 ● 704931A1(1)
- 8 ◊ A-05 04 1
- 9 ◊ A-05 02 9

◊ See page - reference number
 ● Replacement

Inglese

- 1 Shaft
- 1 Screw
- 6 Screw
- 1 Gear
- 1 Gear
- 2 Screw
- 1 Stirrup
- 1 Cover
- 1

Engine

G-MAX Tier 3 New Cab (2012-) - RP75 - 125

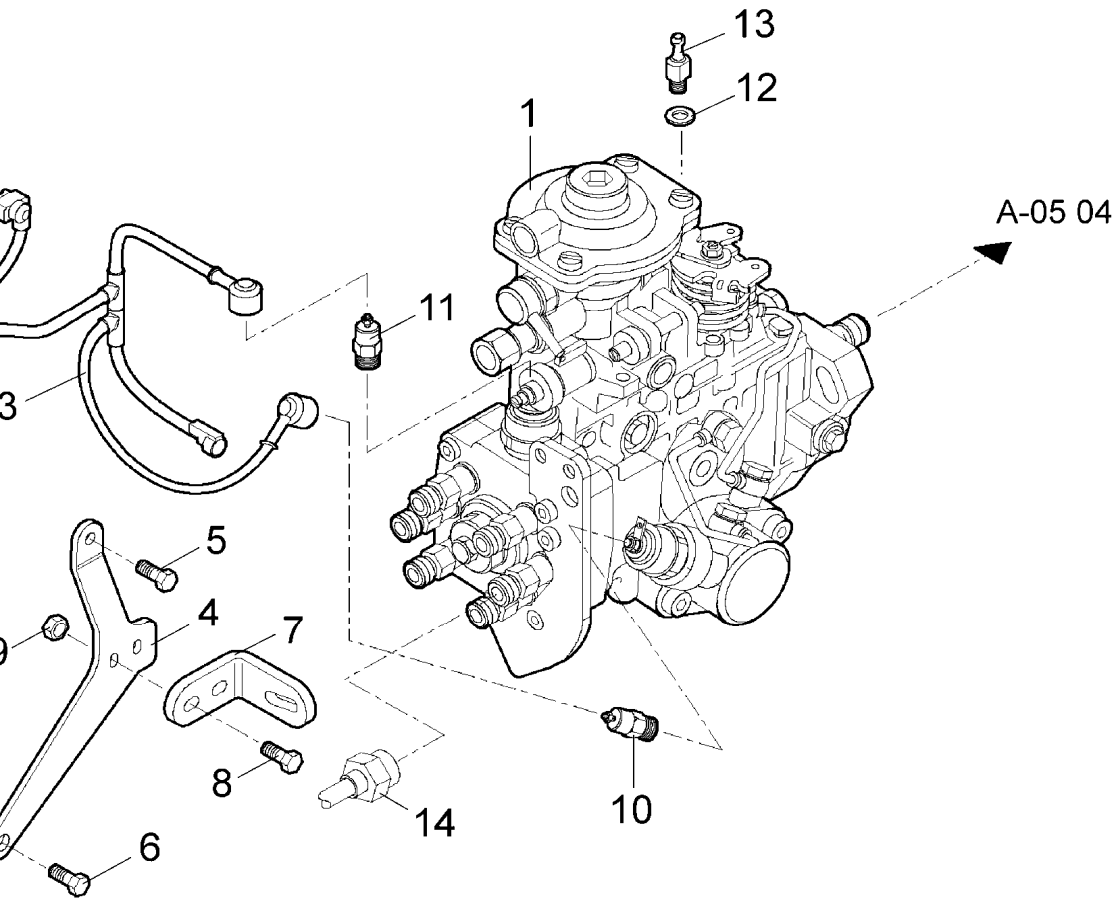
RP75\00006009.png

**A-05
16**



A0516

Fuel injection pump



1 420325M1

1 4213703M1(1)

1 Cable

M1 Console

M1 710625A1(1)

M8x1,25x20 mm

1 Screw

M1 Console

M1 3 Screw

M1 M8 3 Nut

M1 Magnet

M1 12v 1 Electro-valve

M1 1 Washer

Ø6x12 mm

M1 1 Track rod end

1 Pipe

A-05 22 1

reference number

Engine

G-MAX Tier 3 New Cab (2012-) - RP75 - 125

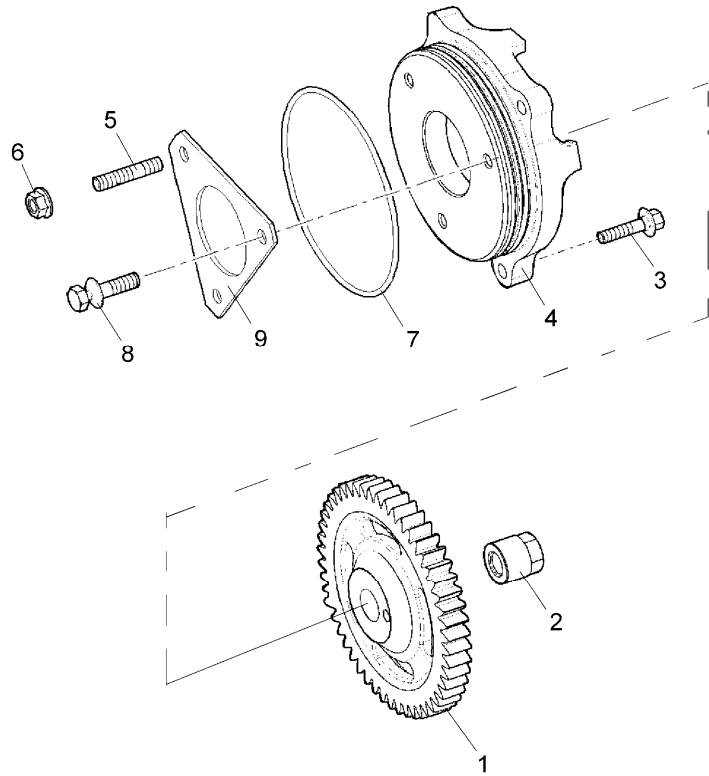
RP75\00006010.png

A-05
17



A0517

Injection pump drive



		Inglese
1	4208168M1	1 Gear
2	4208169M1 M14x1,5	1 Nut
3	3688853M1 M8x30 mm	3 Screw
4		1 Spacer
5	4208171M1 M8x30 mm	2 Screw
6	3688948M1 M8	2 Nut
7	3689000M1 X =3,53 mm Ø120,24 mm	1 O ring
8	4208172M1	1 Screw
9	710622A1	1 Gasket
X	Shim	

Engine

G-MAX Tier 3 New Cab (2012-) - RP75 - 125

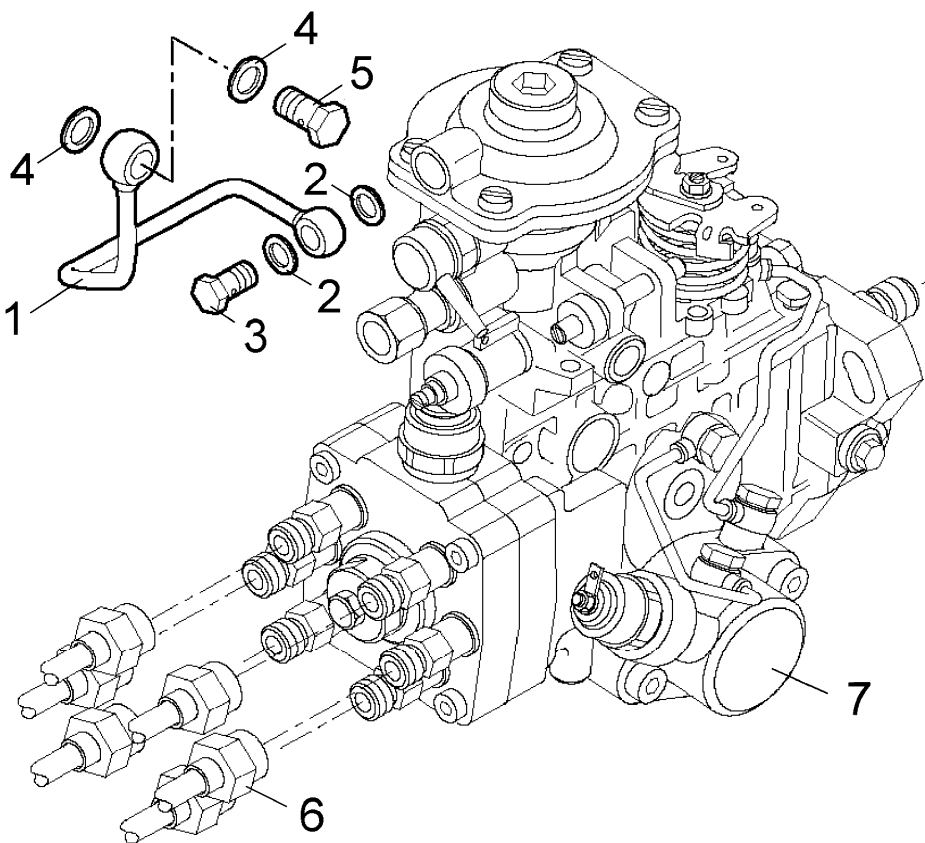
RP75\00006011.png

A-05
18



A0518

Injection pipes



- | | | | |
|---|----------|------------------------|----------|
| 1 | 704634A1 | | Inglese |
| 2 | 704633A1 | | 1 Pipe |
| 3 | 704621A1 | | 2 Gasket |
| 4 | 704558A1 | ≡ =1 mm
Ø10x13,5 mm | 1 Filler |
| 5 | 704556A1 | ● 6515434M1(1) | 2 Gasket |
| 6 | | ◊ A-05 22 1 | 1 Filler |
| | | ◊ A-05 16 1 | 1 Pipe |
| | | | 1 Pump |

➤ See page - reference number

▲ Shim

D Replacement

Engine

G-MAX Tier 3 New Cab (2012-) - RP75 - 125

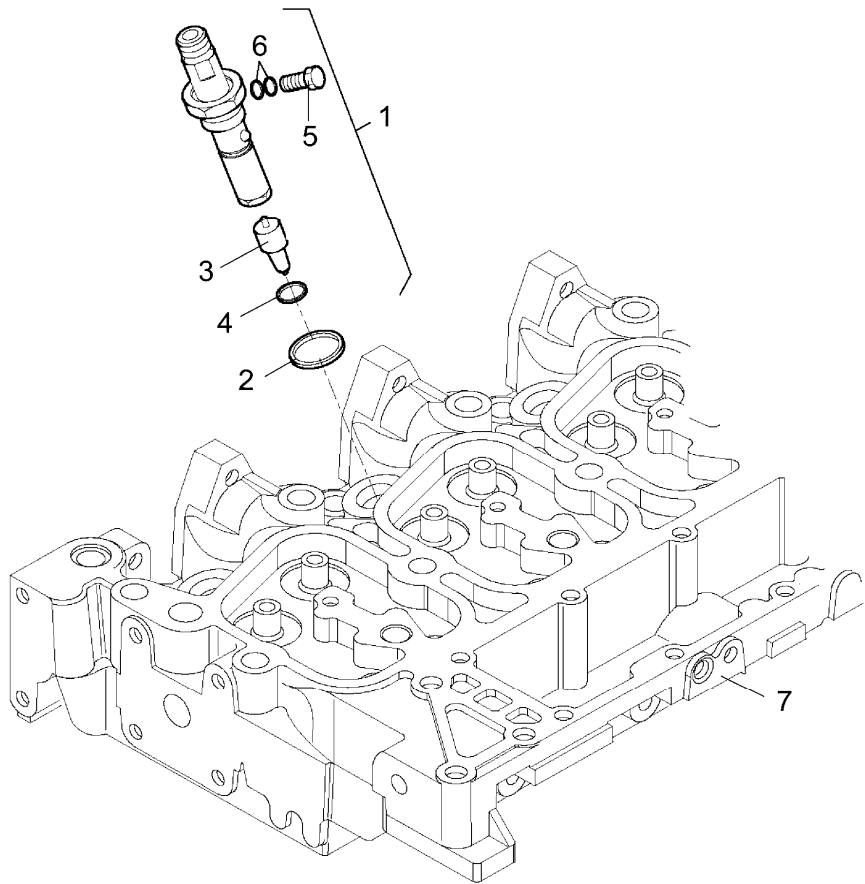
RP75\00006012.png

**A-05
19**



A0519

Nozzles



- 1 4208173M1
- 2 707401A1
- 3 4208174M1
- 4 4208343M1
- 5 4208176M1 M8x1
- 6 4208177M1 Ø6x10 mm
- 7 A-05 06 3
- See page - reference number

Inglese

- 6 Nozzle
- 6 Gasket
- 6 Nozzle
- 6 Washer
- 6 Filler
- 12 Ring
- 1 Head



Suggest:

For more complete manuals. Please go to the home page.

<https://www.ebooklibonline.com>

If the above button click is invalid. Please download this document first, and then click the above link to download the complete manual.

Thank you so much for reading

Engine

G-MAX Tier 3 New Cab (2012-) - RP75 - 125

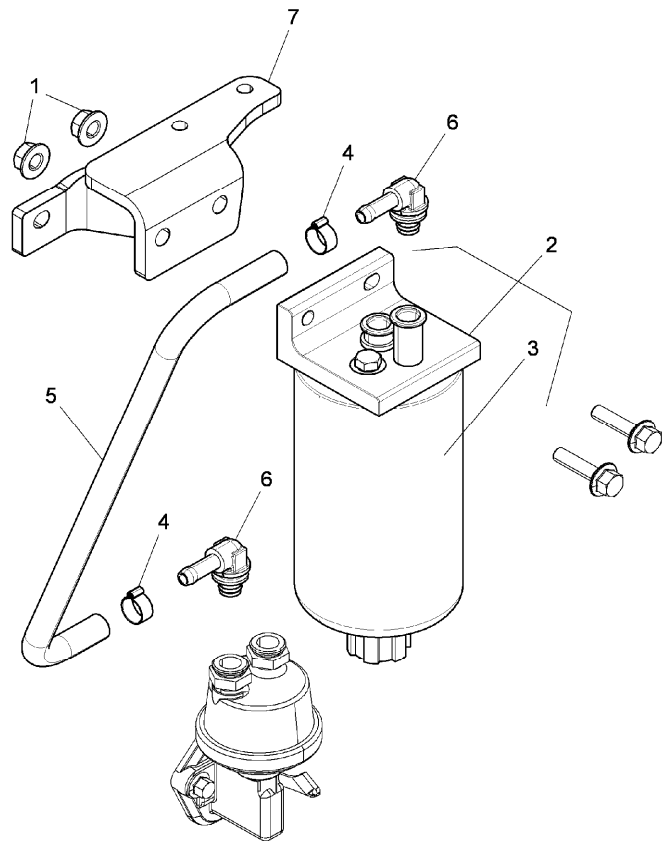
RP75\00041833.png

A-05
20



A0520

Heavy duty fuel filter



- 1 4208180M1
- 2 6507443M91
- 3 6508562M91 ! 2
- 4 3647035M1
- 5 6500786M1
- 6 3692722M91
- 7 4208178M1

! This is a component of an assembly

Inglese

- 2 Nut
- 1 Filter
- 1 Cartridge
- 2 Clamp
- 1 Pipe
- 2 Union
- 1 Support

Engine

G-MAX Tier 3 New Cab (2012-) - RP75 - 125

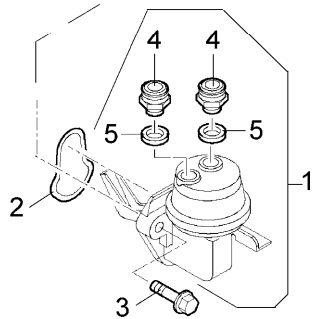
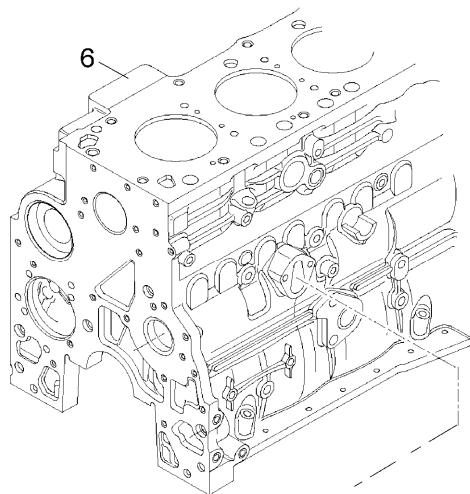
RP75\00006014.png

A-05
21



A0521

Fuel pump



		Inglese	
1	707371A1	● 3688650M1(2), 3688754M1(2), 6507275M91(1)	1 Pump
2	707370A1		1 Ring
3	3688849M1	● 3688856M1(1) M8x25 mm	2 Screw
4	3688650M1	! 1 M12x1,5	2 Union
5	3688754M1	! 1	2 Ring
6		◁ A-05 2 9	
!		This is a component of an assembly	
◁		See page - reference number	
●		Replacement	

<https://www.ebooklibonline.com>

Hello dear friend!

Thank you very much for reading.

Enter the link into your browser.

The full manual is available for immediate download.

<https://www.ebooklibonline.com>