

Engine

G-MAX IVECO Tier 3 (2007-2012) - RP74 - 135

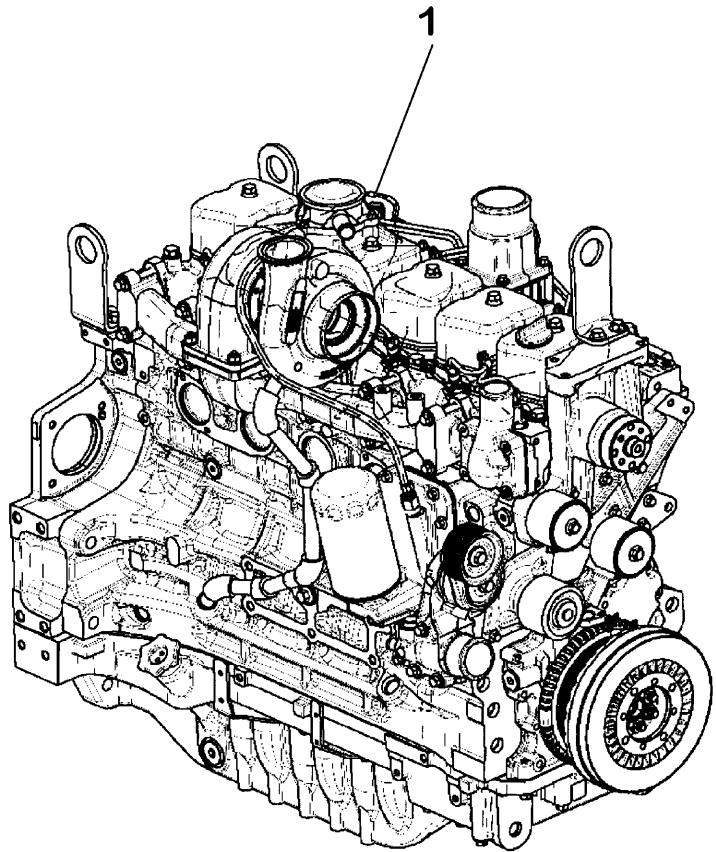
RP74\00005363.png

A-05
01



A0501

Engine assembly



		Inglese
1	3691629M91 ● 3691629M92(1)	1 Engine
	"tier 3" - 98 kw	
1	6511060M91 "tier 3" - 98 kw	1 Engine
	A	
	B	
	C	
●	Replacement	
A	Flexibility engine	
B	For market "cee"	
C	For market "n.a.o."	

Engine

G-MAX IVECO Tier 3 (2007-2012) - RP74 - 135

RP74\00041500.png

A-05
015



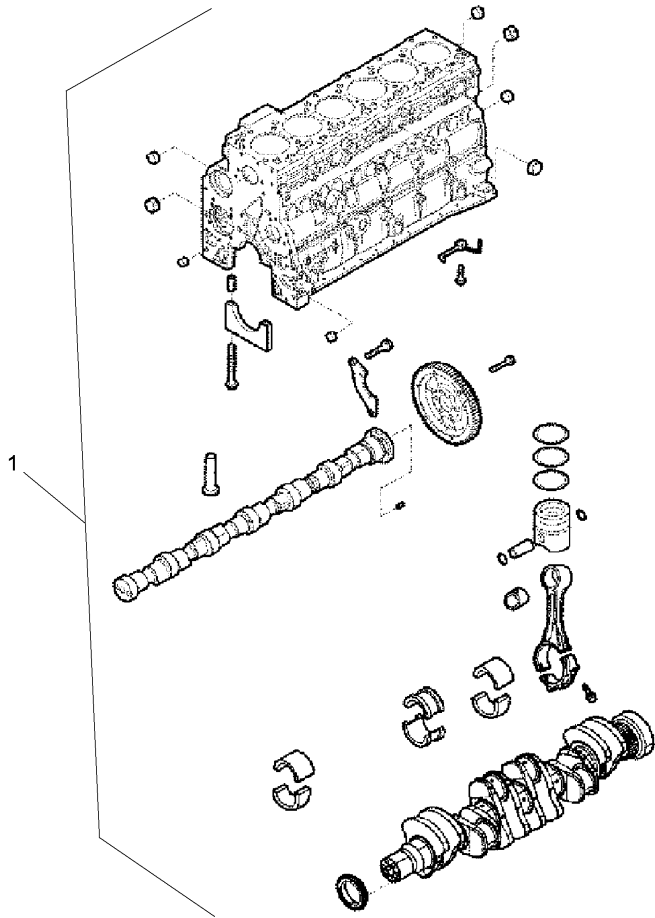
A05015

Short engine

1 6511965M91

Inglese

1 Short engine



Engine

G-MAX IVECO Tier 3 (2007-2012) - RP74 - 135

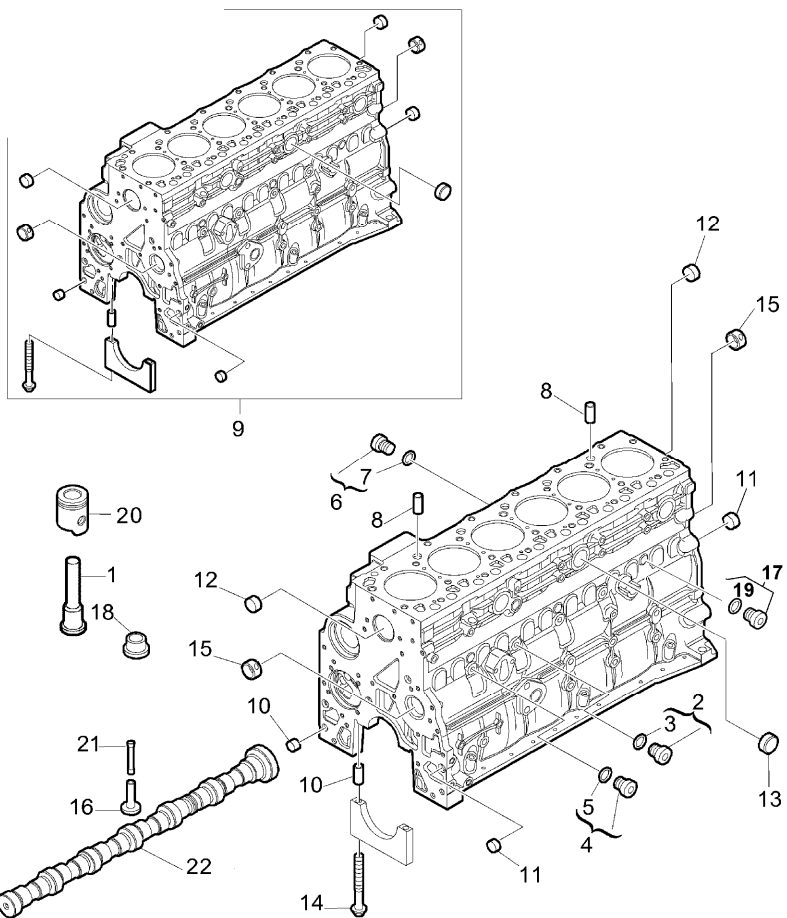
RP74\00005435.png

A-05
02



A0502

Crankcase



Inglese

- | | | | |
|----|-----------|---|--|
| 1 | 3688809M1 | | 6 Jet |
| 2 | 3689350M1 | ● | 1 Plug
M14x1,5 |
| 3 | 3688868M1 | | 1 O ring |
| 4 | 3688822M1 | ● | 3 Plug
M10x1 |
| 5 | 3688855M1 | | 3 O ring |
| 6 | 3688780M1 | ● | 3 Plug
Assy m18x1,5 |
| 7 | 3688781M1 | ● | 3 O ring |
| 8 | 3688761M1 | | 2 Dowel pin |
| 9 | 3688626M1 | | 1 Crankcase |
| 10 | 3688824M1 | ● | 14 Dowel pin |
| 11 | 3688758M1 | | 2 Plug
17,73x6,35x1,07 |
| 12 | 3688757M1 | | 6 Plug
58,06x8,25x1,52 |
| 13 | 3688775M1 | | 3 Plug
35,23x7,94x1,52 |
| 14 | 3688673M1 | ● | 14 Screw
M12x120 mm |
| 15 | 3688759M1 | | 2 Bearing |
| 16 | 704803A1 | | 1 Register |
| 17 | 3688800M1 | ● | 1 Plug
M16x1,5 mm assy |
| 18 | 3688628M1 | | 1 Splasher |
| 19 | 3688994M1 | ⊗ | 1 Toroidal seal
=2,6 mm
Ø13,9 mm |

<https://www.ebooklibonline.com>

Hello dear friend!

Thank you very much for reading.

Enter the link into your browser.

The full manual is available for immediate download.

<https://www.ebooklibonline.com>

Engine

G-MAX IVECO Tier 3 (2007-2012) - RP74 - 135

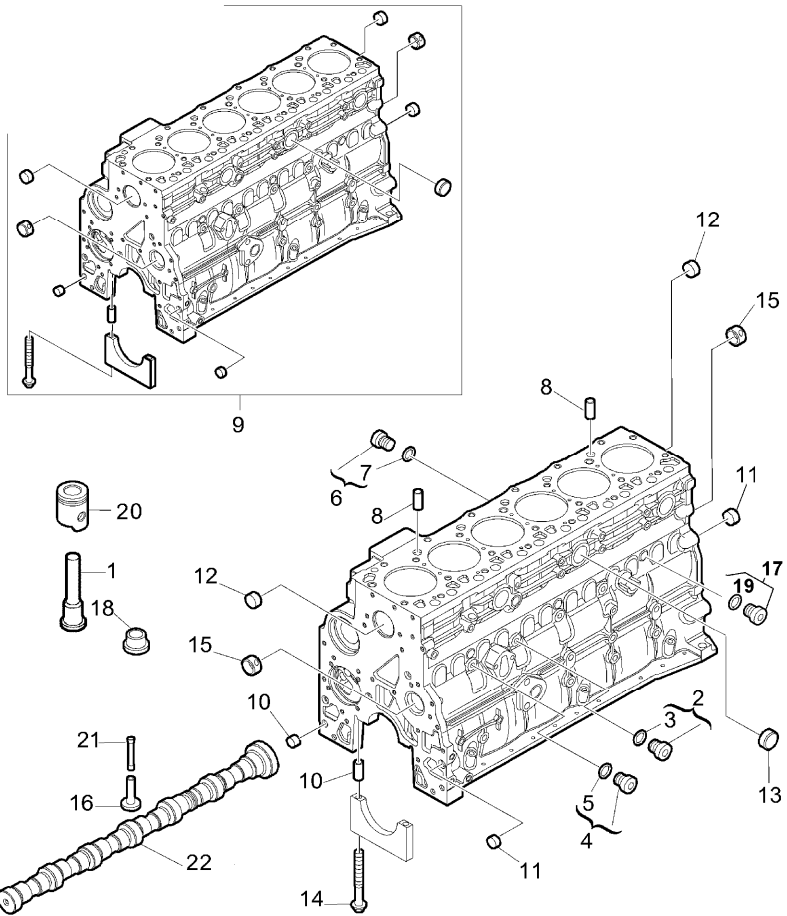
RP74\00005435.png

A-05
02



A0502

Crankcase



- 20 A-05 13 5
- 21 A-05 08 2
- 22 A-05 15 1

- See page - reference number
- Shim
- Replacement

Inglese

- 1 Piston
- 1 Shaft
- 1 Camshaft

Engine

G-MAX IVECO Tier 3 (2007-2012) - RP74 - 135

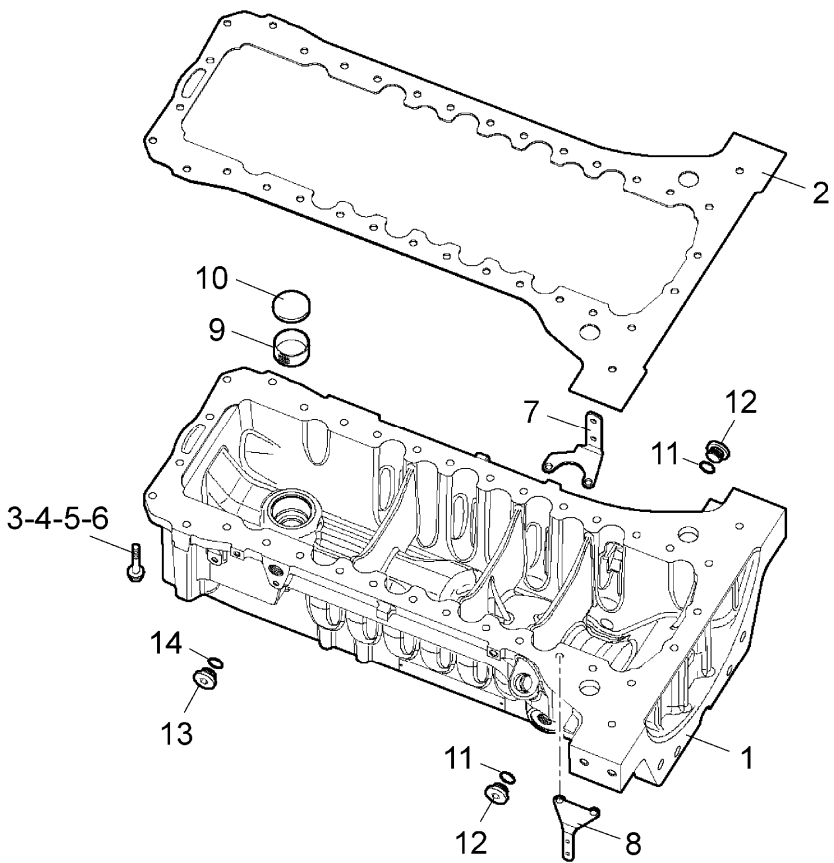
RP74\00006027.png

A-05
03



A0503

Oil sump



- 1 4208117M1
- 2 3688752M1
- 3 3688778M1
- 4 3688679M1
- 5 4208118M1
- 6 3688678M1
- 7 4208119M1
- 8 4208120M1
- 9 3688803M1
- 10 3688804M1
- 11 3688997M1
- 12 3688691M1
- 13 4208121M1
- 14 4208122M1

M10x90 mm

M10x190 mm

M22x1,5

≡ =1,5 mm

● 6528826M1(1)

Ø18x26 mm

≡ Shim

● Replacement

Inglese

- 1 Pan
- 1 Gasket
- 2 Screw
- 24 Screw
- 6 Screw
- 2 Screw
- 1 Stirrup
- 2 Stirrup
- 1 Filter
- 1 Plug
- 2 O ring
- 2 Plug
- 1 Plug
- 1 Gasket

Engine

G-MAX IVECO Tier 3 (2007-2012) - RP74 - 135

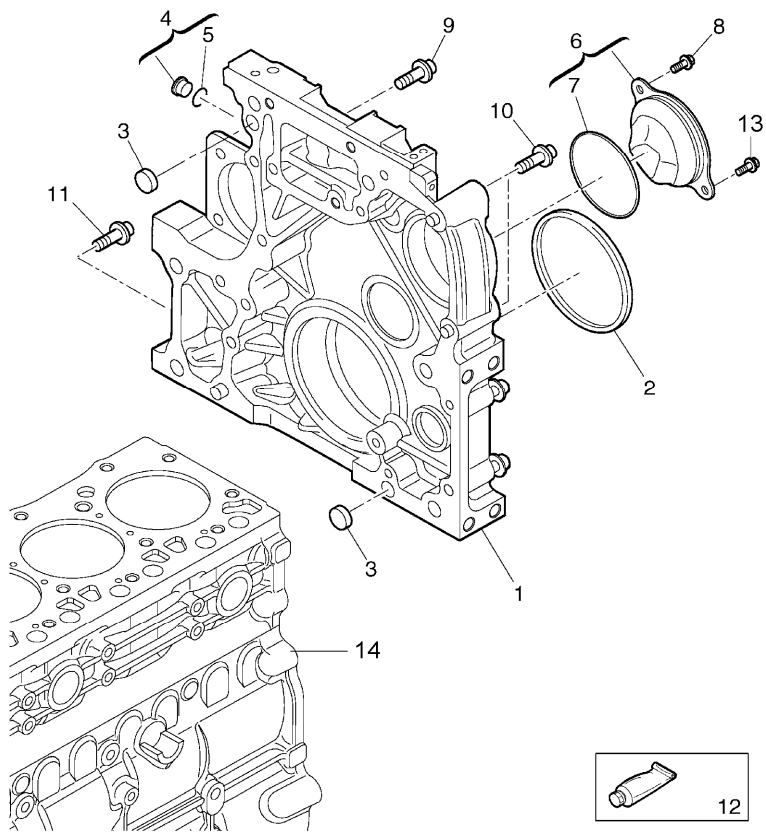
RP74\00006000.png

**A-05
04**



A0504

Crankcase covers



		Inglese
1	4206380M1	1 Coperch.
2	3688647M1 ● 6514306M1(1) 130x155x12,5	1 Ring
3	3688753M1	2 Screw
4	3688780M1 ● 704848A1(1) M18x1,5	1 Plug
5	3688781M1 ● 707405A1(1)	1 O ring
6	4208123M1	1 Coperch.
7	3689092M1	1 O ring
8	3688941M1 ● 710625A1(1) M8x1,25x20 mm	1 Screw
9	3688874M1 M16x1,5	1 Screw
10	3688671M1 M12x1,75	15 Screw
11	3688869M1	2 Screw
12	3688632M1 ● 3688632M2(1)	1 Adhesive
13	4208124M1 M8x1,25x23 mm	1 Screw
14	⦿ A-05 02 9	Crankcase
⦿	See page - reference number	
●	Replacement	

Engine

G-MAX IVECO Tier 3 (2007-2012) - RP74 - 135

RP74\00006001.png

A-05
05



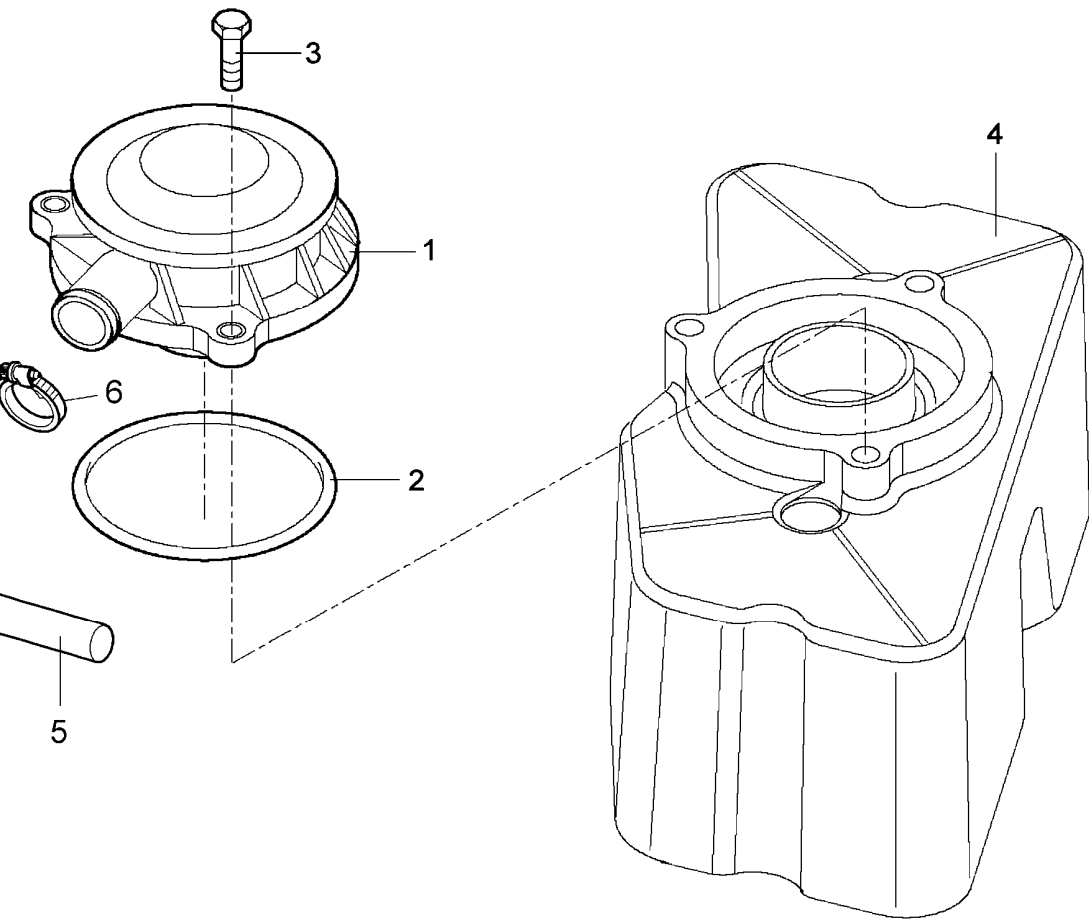
A0505

Engine breathers

Inglese

- 1 Valve
- 1 Gasket
- 3 Screw
- 1 Cover
- 1 Pipe
- 1 Clamp

- 1 707434A1
- 7435A1
- 38866M1 ● 705021A1(3)
- ◁ A-05 07 7
- 34643M1
- 51942M1
- see page - reference number
- replacement



Engine

G-MAX IVECO Tier 3 (2007-2012) - RP74 - 135

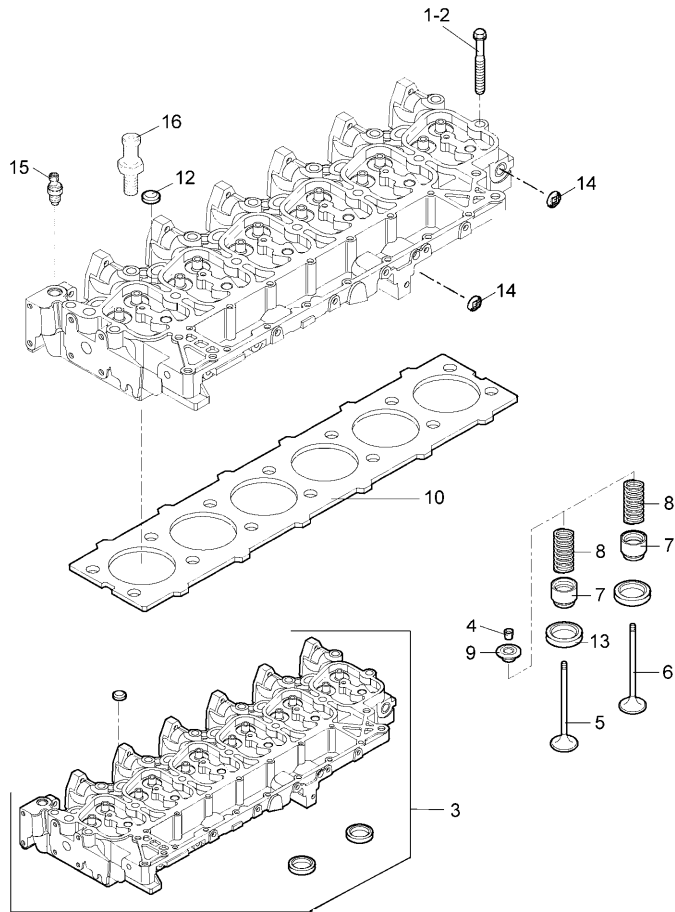
RP74\00006002.png

A-05
06



A0506

Head cylinder



		Inglese	
1	704717A1	● 707391A1(6) M15x1,75	6 Screw
2	707390A1	M15x1,75	14 Screw
3	704877A1		1 Head
4	704804A1		24 Half cone
5	704807A1		6 Valve
6	704806A1		6 Valve
7	704836A1		12 Cap
8	704821A1		12 Spring
9	704805A1		12 Cup
10	704652A1	▲ 1,15 mm └ 707379a1 ● N.L.S.(1) ▲ =1,25 mm └ 704652a1	1 Gasket
10	707379A1		1 Gasket
11	704922A1		6 Valve seat
12	704802A1		3 Plug
13	704921A1		Valve seat
14	704784A1		2 Plug
15	4217672M1	◁ D-00 04 5 A B	1 Sensor
15	705080A1	● 4217672M1(1) A	1 Transmitter
16	705133A1		1 Union

Engine

G-MAX IVECO Tier 3 (2007-2012) - RP74 - 135

RP74\00006002.png

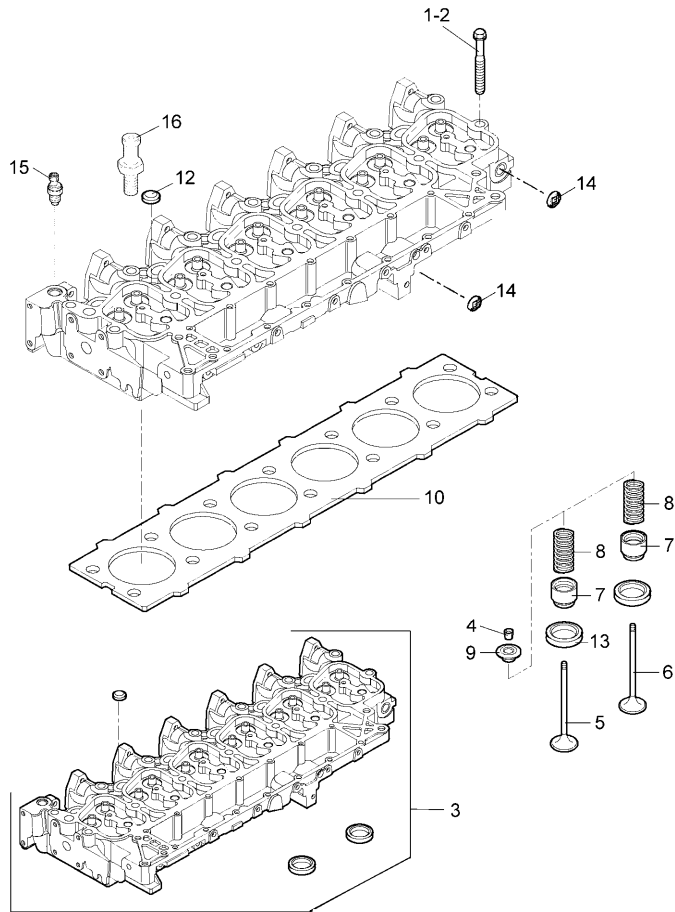
A-05
06



A0506

Head cylinder

- See page - reference number
- Alternative
- Shim
- Replacement
- A Engine water temperature
- B For markets climi freddi



Engine

G-MAX IVECO Tier 3 (2007-2012) - RP74 - 135

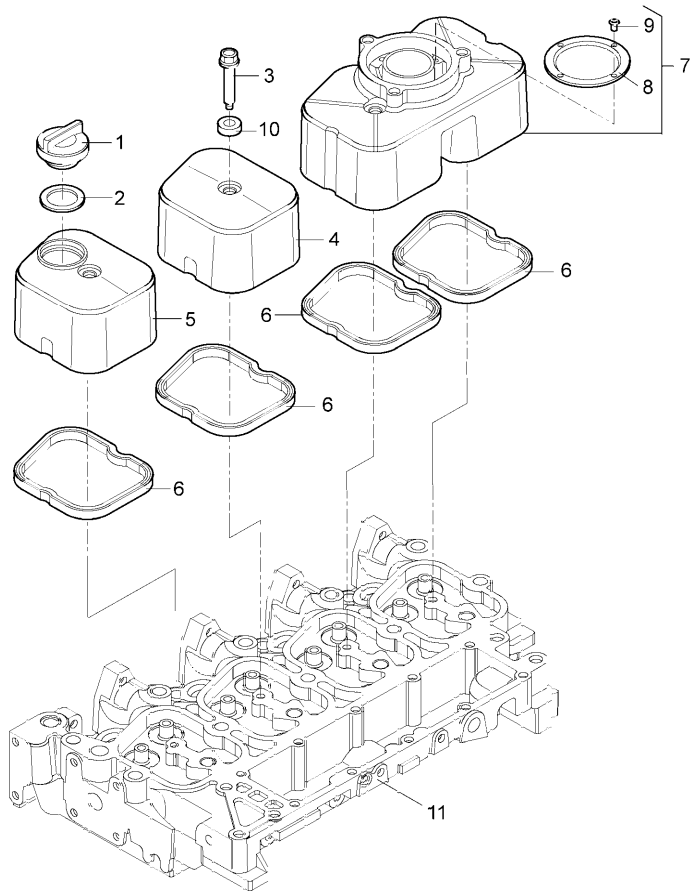
RP74\00006003.png

A-05
07



A0507

Cylinder head cover



- 1 4208125M1
- 2 4208126M1
- 3 704820A1 M8x1,25
- 4 705188A1
- 5 4208127M1
- 6 705147A1
- 7 704650A1
- 8 707378A1
- 9 704576A1
- 10 707403A1
- 11 A-05 06 3
- See page - reference number

Inglese

- 1 Plug
- 1 Gasket
- 6 Screw
- 3 Coperch.
- 1 Coperch.
- 6 Gasket
- 1 Cover
- 1 Ring
- 4 Screw
- 6 Ring
- Head

Engine

G-MAX IVECO Tier 3 (2007-2012) - RP74 - 135

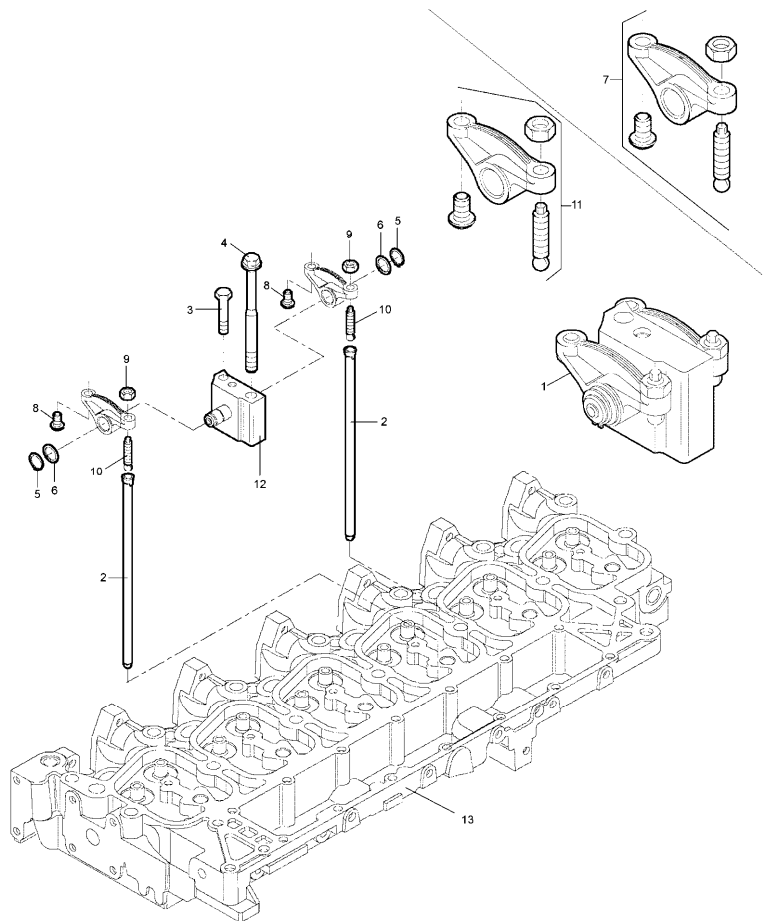
RP74\00006004.png

A-05
08



A0508

Rocker arm



- 1 704809A1
- 2 704841A1
- 3 4208128M1 M8x1,25x60 mm
- 4 704716A1 M12x1,75
- 5 704843A1
- 6 704844A1
- 7 704810A1
- 8 704845A1
- 9 704812A1
- 10 704813A1
- 11 704814A1
- 12 704816A1
- 13 A-05 06 3

Inglese

- 6 Shaft
- 12 Rod
- 6 Screw
- 6 Screw
- 12 Ring
- 12 Washer
- 6 Rocker
- 12 Ball pin
- 12 Nut
- 12 Screw
- 6 Rocker
- 6 Support
- Head

 See page - reference number

Engine

G-MAX IVECO Tier 3 (2007-2012) - RP74 - 135

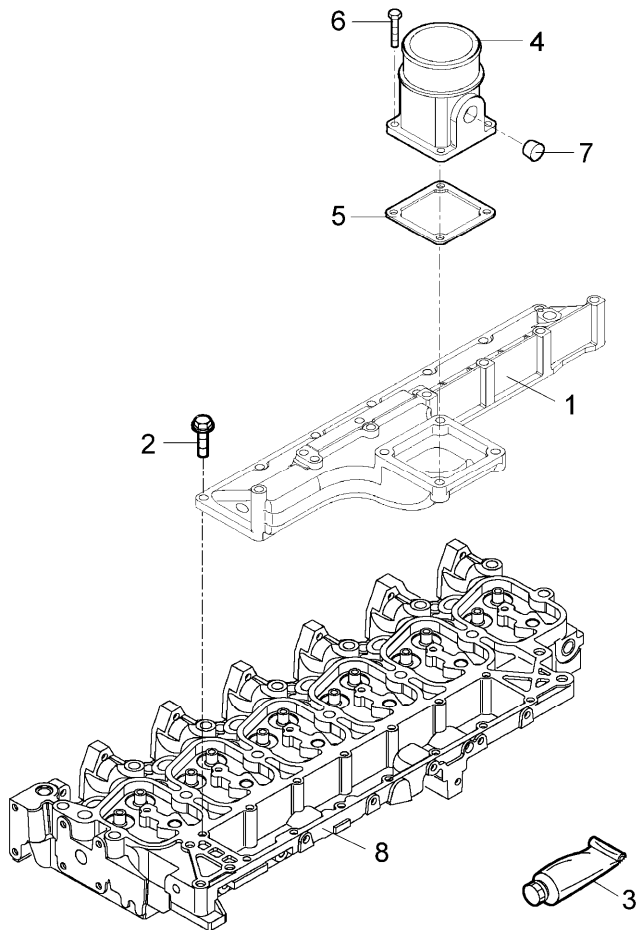
RP74\00006005.png

A-05
09



A0509

Induction manifold



1	705187A1		1	Cover
2	3688850M1	M8x1,25x25 mm	10	Screw
3	3688633M1	● 6500933M1(1)	1	Adhesive
4	4208129M1		1	Duct
5	705061A1	● 6500220M1(1)	1	Gasket
6	3688850M1	M8x1,25x25 mm	4	Screw
7	3688683M1		1	Plug
8	◁ A-05 06 3			Head

◁ See page - reference number

● Replacement

Inglese

Engine

G-MAX IVECO Tier 3 (2007-2012) - RP74 - 135

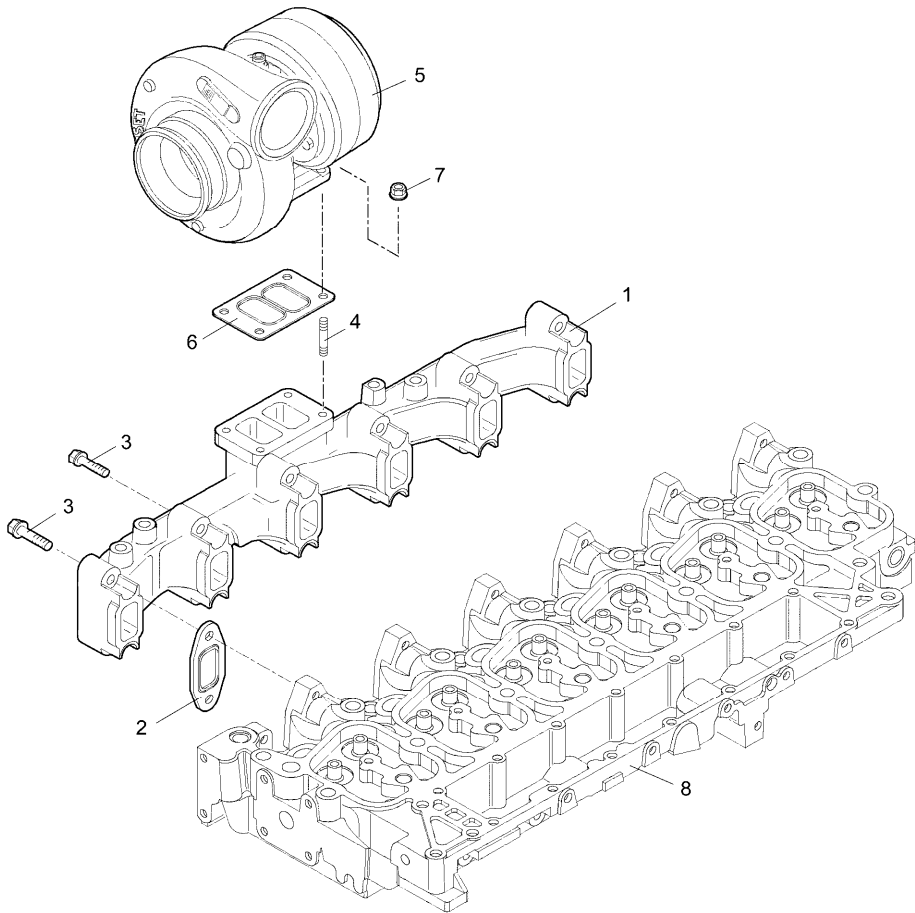
RP74\00006006.png

A-05
10



A0510

Exhaust manifold



		Inglese
1	704607A1	1 Manifold
2	705273A1	6 Gasket
3	3688774M2	M10x1,5x65 mm 12 Worm
4	3688861M1	● 705008A1(4) 4 Screw M10x1,5
5	708801A1	1 Turbocharger
6	3688770M1	1 Gasket
7	3688862M1	M10x1,5 4 Nut
8	⦿ A-05 06 3	Head
⦿	See page - reference number	
●	Replacement	

Engine

G-MAX IVECO Tier 3 (2007-2012) - RP74 - 135

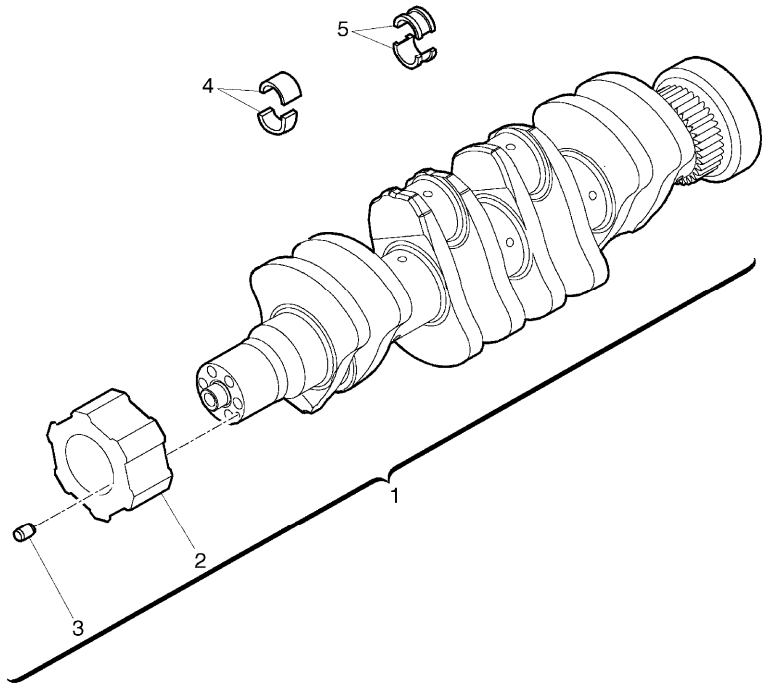
RP74\000022015.png

A-05
11



A0511

Crankshaft



			Inglese
1	3688630M1	● 3688630M2(1)	1 Shaft
2	4206387M1		1 Bushing
3	3688851M1	● 704992A1(1)	1 Screw
4	3688637M1	Std.	6 Cuscinet
4	3688638M1	-0.250	6 Cuscinet
4	3688639M1	-0.500	6 Cuscinet
5	3688634M1	Std.	1 Cuscinet
5	3688635M1	-0.250	1 Bearing
5	3688636M1	-0.500	1 Cuscinet
●	Replacement		

Engine

G-MAX IVECO Tier 3 (2007-2012) - RP74 - 135

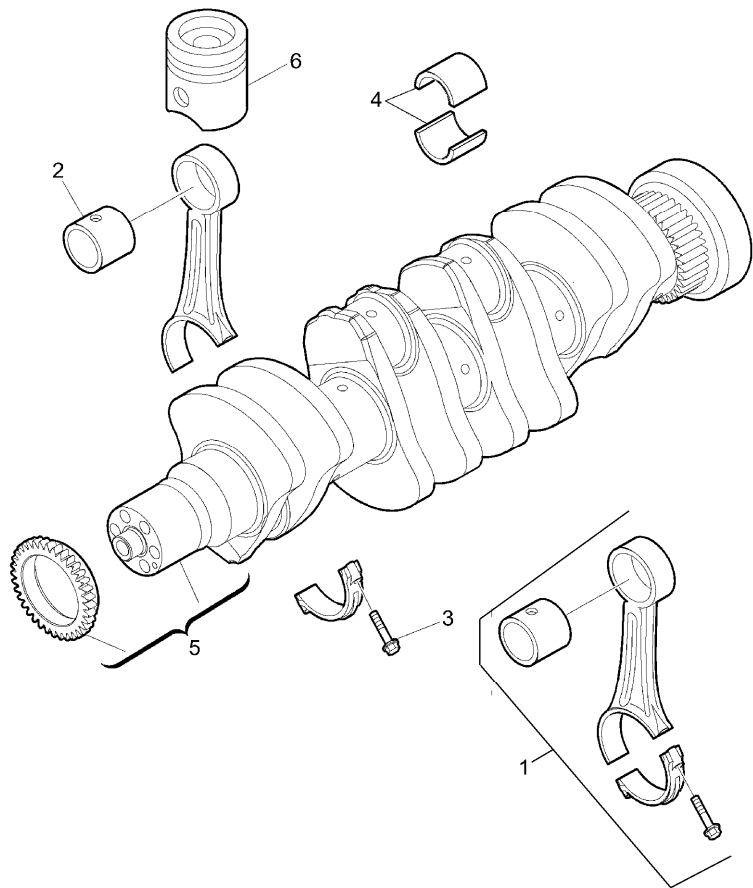
RP74\000022016.png

A-05
12



A0512

Crank shaft - connecting rods



- | | | |
|---|-----------|-------------|
| 1 | 3688624M1 | |
| 2 | 3688675M1 | |
| 3 | 3688623M1 | |
| 4 | 3688880M1 | Std |
| 4 | 4206388M1 | -o,250 |
| 4 | 4206389M1 | -0,500 |
| 5 | | ↔ A-05 11 1 |
| 6 | | ↔ A-05 13 5 |
- ↔ See page - reference number

Inglese

- | | |
|----|----------|
| 6 | Conrod |
| 6 | Bush |
| 12 | Screw |
| 6 | Cuscinet |
| 6 | Cuscinet |
| 6 | Cuscinet |
| 1 | Shaft |
| 6 | Piston |

Engine

G-MAX IVECO Tier 3 (2007-2012) - RP74 - 135

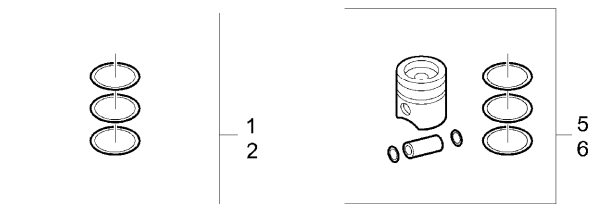
RP74\000021409.png

**A-05
13**



A0513

Piston assay piston rings - piston complete

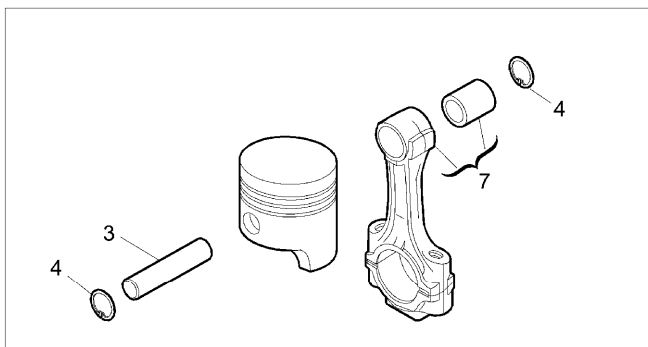


				Inglese	
1	706290A1	●	3688921M1(1)	6	Kit
2	707354A1	✕	+0,4	6	Kit
		●	713981A1(6)		
3	3688676M1			6	Pin
4	3689087M1			12	Ring
5	4208130M1			6	Piston
6	4208156M1	✕	+0,4	6	Piston
7		◁▷	A-05 12 1	6	Conrod

◁▷ See page - reference number

✕ Shim

● Replacement



Engine

G-MAX IVECO Tier 3 (2007-2012) - RP74 - 135

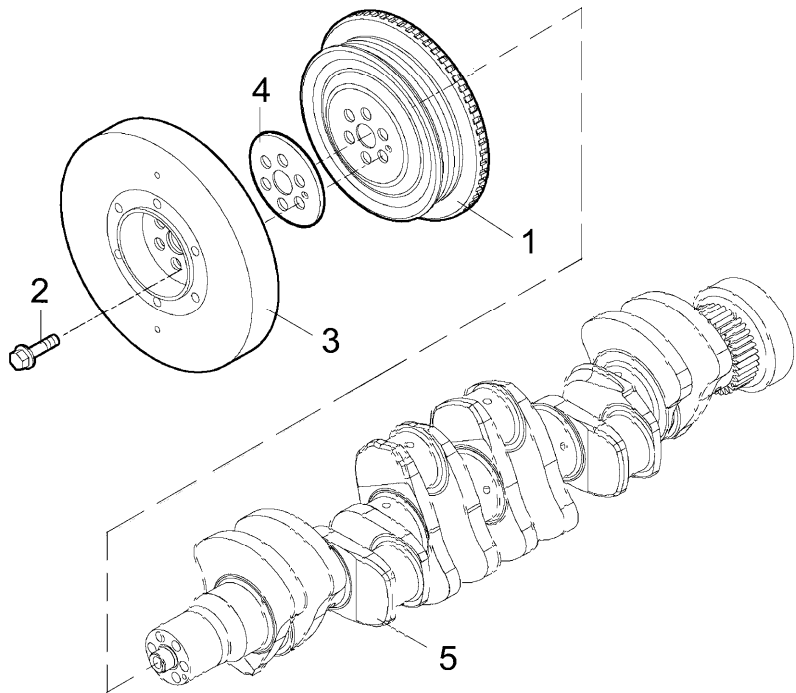
RP74\00006007.png

**A-05
14**



A0514

Vibration damper



Inglese

- | | | | | |
|---|-----------|----------------|---|------------------|
| 1 | 3689094M1 | | 1 | Pulley |
| 2 | 3688681M1 | M12x1,5 | 6 | Screw |
| 3 | 4208157M1 | ● 4208157M2(1) | 1 | Vibration damper |
| 4 | 4208158M1 | | 1 | Spacer |
| 5 | | ◁ A-05 11 1 | 1 | Shaft |
- ◁ See page - reference number
● Replacement

Engine

G-MAX IVECO Tier 3 (2007-2012) - RP74 - 135

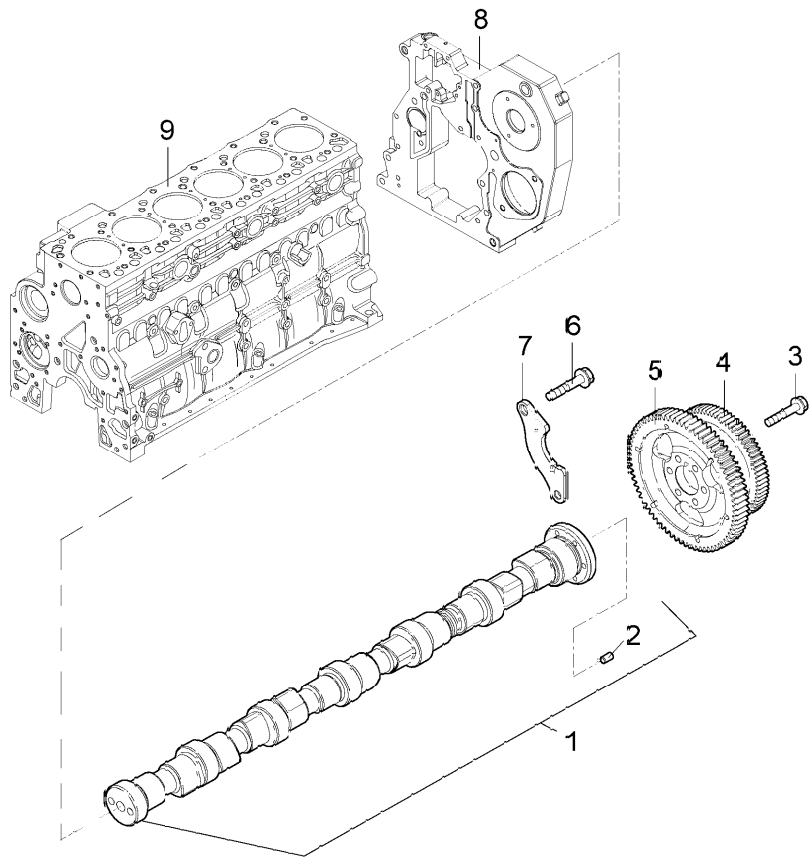
RP74\00006008.png

A-05
15



A0515

Timing parts



- 1 4208161M1
 - 2 3688857M1 ● 705005A1(1)
 - 3 4208159M1
 - 4 4208162M1
 - 5 4208160M1
 - 6 3688854M1 ● 704997A1(2)
M8x17 mm
 - 7 3688818M1 ● 704931A1(1)
 - 8 ◁ A-05 04 1
 - 9 ◁ A-05 02 9
- ◁ See page - reference number
● Replacement

Inglese

- 1 Shaft
- 1 Screw
- 6 Screw
- 1 Gear
- 1 Gear
- 2 Screw
- 1 Stirrup
- 1 Cover
- 1

Engine

G-MAX IVECO Tier 3 (2007-2012) - RP74 - 135

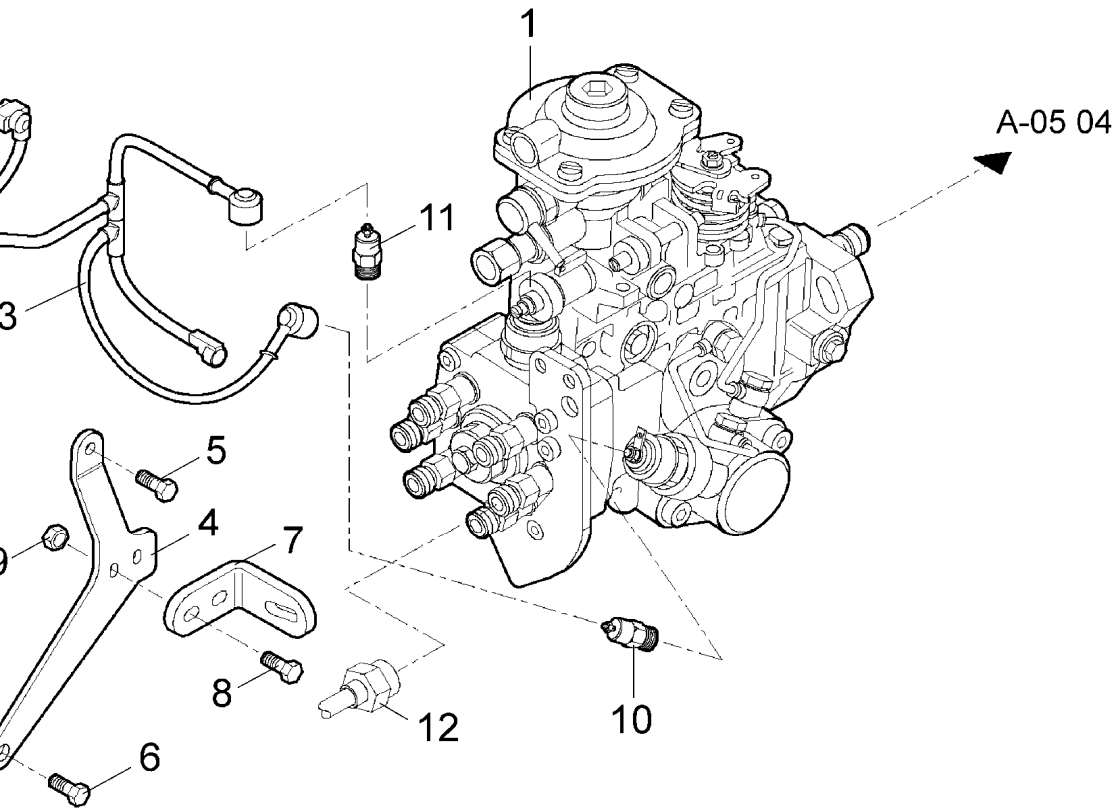
RP74\00006028.png

**A-05
16**



A0516

Fuel injection pump



1 420822M1

1 4213703M1(1)

1

M1

M1

710625A1(1)
M8x1,25x20 mm

1

M1

M1

M1

M1

M1

A-05 22 1

je - reference number
ement

Inglese

- 1 Pump
- 1 Sensor
- 1 Cable
- 1 Console
- 1 Screw
- 1 Screw
- 1 Console
- 3 Screw
- 3 Nut
- 1 Magnet
- 1 Electro-valve
- 1 Pipe

Engine

G-MAX IVECO Tier 3 (2007-2012) - RP74 - 135

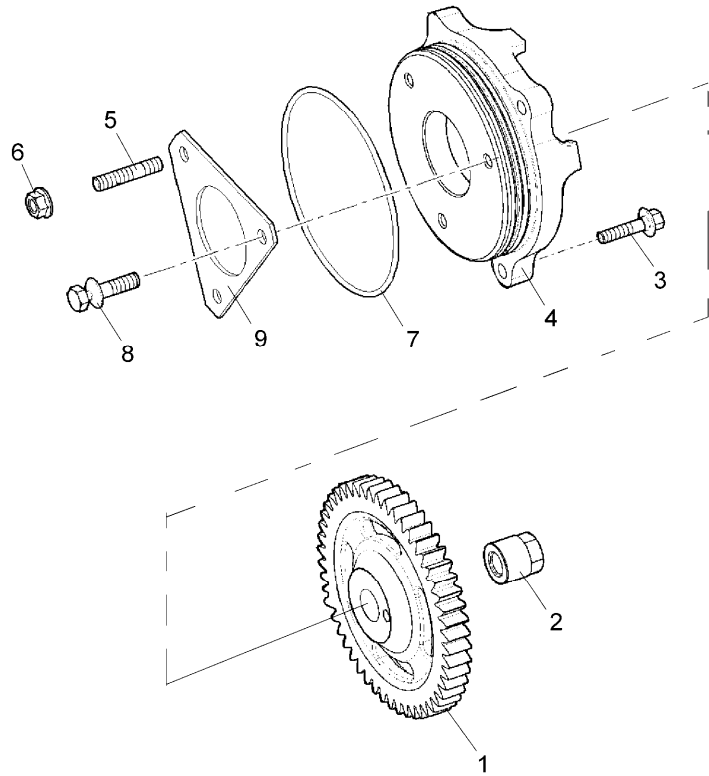
RP74\00006010.png

A-05
17



A0517

Injection pump drive



		Inglese
1	4208168M1	1 Gear
2	4208169M1 M14x1,5	1 Nut
3	3688853M1 M8x30 mm	3 Screw
4		1 Spacer
5	4208171M1 M8x30 mm	2 Screw
6	3688948M1 M8	2 Nut
7	3689000M1 Δ =3,53 mm \varnothing 120,24 mm	1 O ring
8	4208172M1	1 Screw
9	710622A1	1 Gasket
Δ	Shim	

Engine

G-MAX IVECO Tier 3 (2007-2012) - RP74 - 135

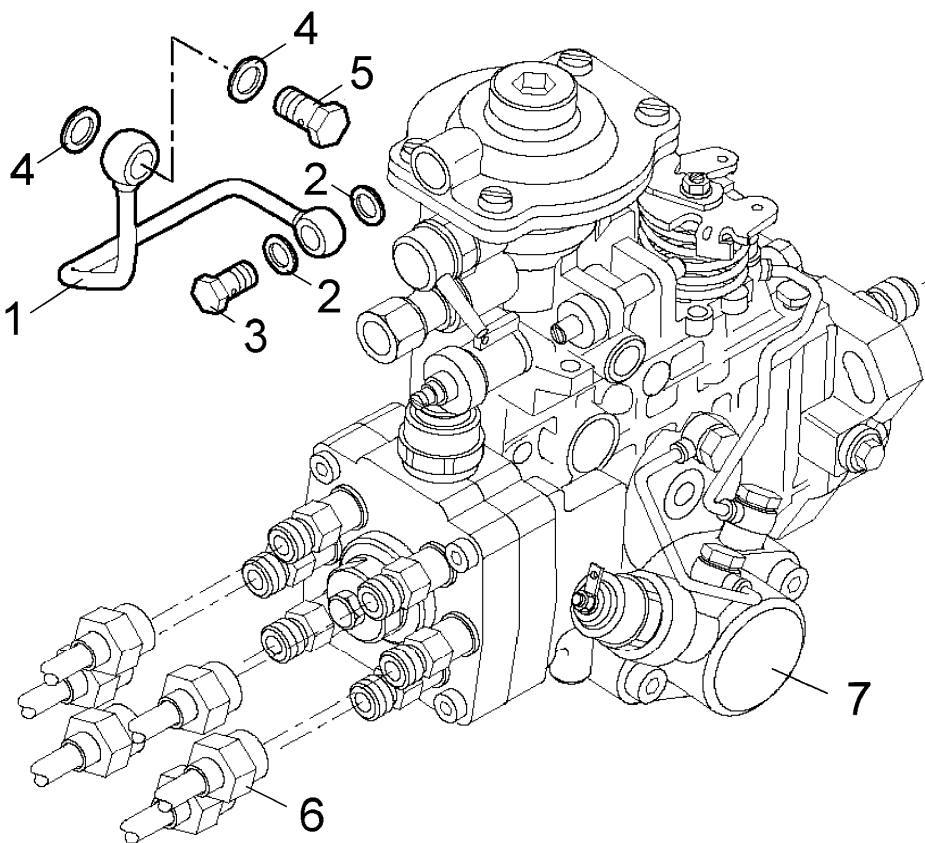
RP74\00006011.png

A-05
18



A0518

Injection pipes



- | | | | | | |
|---|----------|---|----------------------|---------|----------|
| 1 | 704634A1 | | | Inglese | 1 Pipe |
| 2 | 704633A1 | | | | 2 Gasket |
| 3 | 704621A1 | | | | 1 Filler |
| 4 | 704558A1 | ≡ | =1 mm
Ø10x13,5 mm | | 2 Gasket |
| 5 | 704556A1 | ● | 6515434M1(1) | | 1 Filler |
| 6 | | ◊ | A-05 22 1 | | 1 Pipe |
| | | ◊ | A-05 16 1 | | 1 Pump |

- ▷ See page - reference number
- ◄ Shim
- D Replacement

Engine

G-MAX IVECO Tier 3 (2007-2012) - RP74 - 135

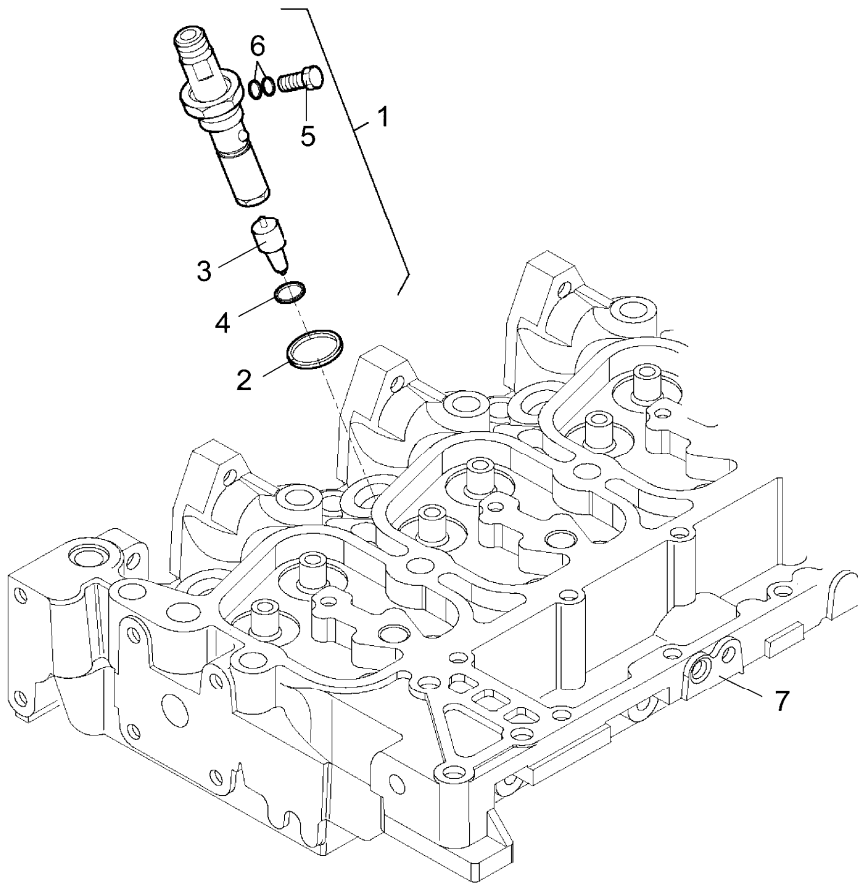
RP74\00006012.png

A-05
19



A0519

Nozzles



- 1 4208173M1
- 2 707401A1
- 3 4208174M1
- 4 4208343M1
- 5 4208176M1 M8x1
- 6 4208177M1 Ø6x10 mm
- 7 A-05 06 3
- See page - reference number

Inglese

- 6 Nozzle
- 6 Gasket
- 6 Nozzle
- 6 Washer
- 6 Filler
- 12 Ring
- 1 Head

Engine

G-MAX IVECO Tier 3 (2007-2012) - RP74 - 135

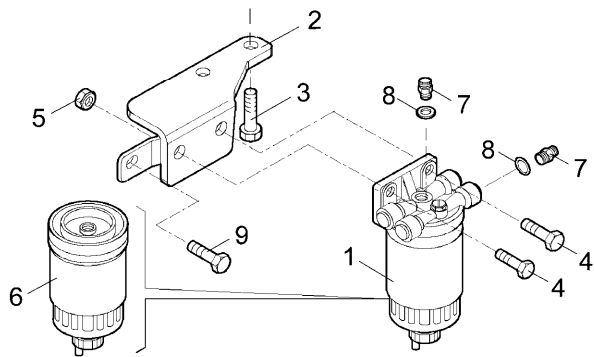
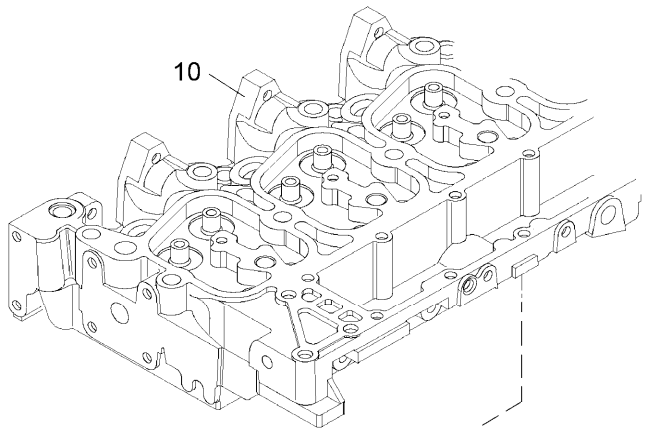
RP74\00006013.png

A-05
20



A0520

Fuel filter



		Inglese
-	➔ N17029	
1	4207948M91	1 Filter
2	4208178M1	1 Support
3	4208179M1	2 Screw
4	3688934M1 ●	2 Screw
	706314A1(2)	
	M10x35 mm	
5	4208180M1	2 Nut
	M10x1,5	
6	4207949M1	1 Filter
7	4208234M1	2 Union
8	4208235M1	2 Gasket
9	3688854M1 ●	1 Screw
	704997A1(1)	
	M8x17 mm	
10	◁ A-05 06 3	1 Head
➔	Up to serial or engine number	
◁	See page - reference number	
●	Replacement	



Suggest:

For more complete manuals. Please go to the home page.

<https://www.ebooklibonline.com>

If the above button click is invalid. Please download this document first, and then click the above link to download the complete manual.

Thank you so much for reading

Engine

G-MAX IVECO Tier 3 (2007-2012) - RP74 - 135

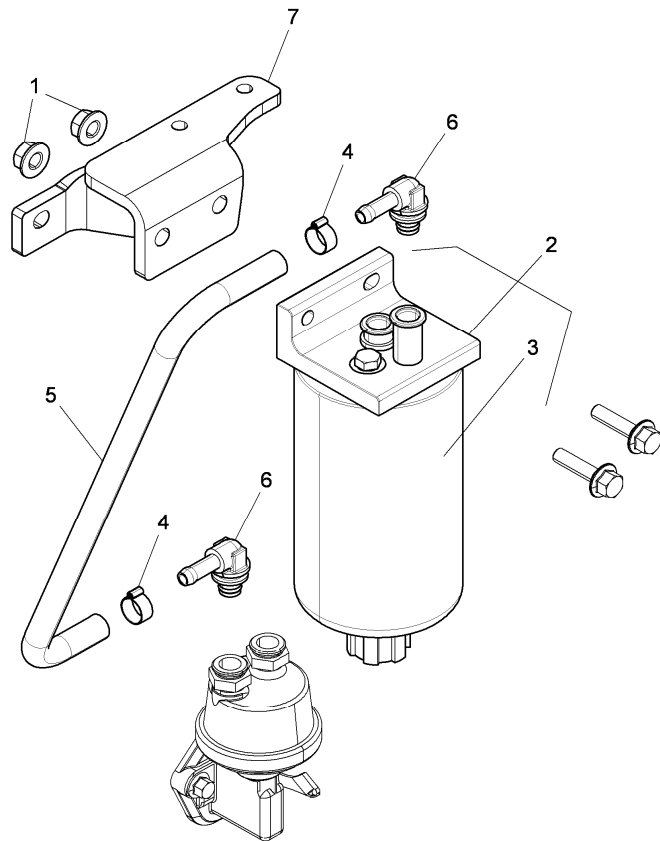
RP74\00041833.png

A-05
205



A05205

Heavy duty fuel filter



- ➡ N17030
- 1 4208180M1
- 2 6507443M91
- 3 6508562M91 ! 2
- 4 3647035M1
- 5 6500786M1
- 6 3692722M91
- 7 4208178M1
- ! This is a component of an assembly
- ➡ From serial or engine number

Inglese

- 2 Nut
- 1 Filter
- 1 Cartridge
- 2 Clamp
- 1 Pipe
- 2 Union
- 1 Support

Engine

G-MAX IVECO Tier 3 (2007-2012) - RP74 - 135

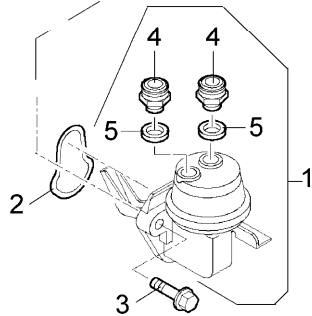
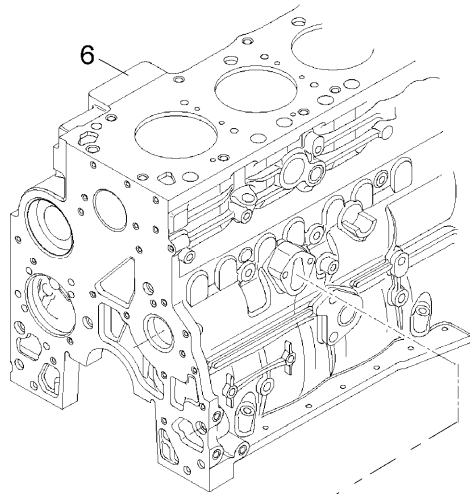
RP74\00006014.png

A-05
21



A0521

Fuel pump



		Inglese	
1	707371A1	● 3688650M1(2), 3688754M1(2), 6507275M91(1)	1 Pump
2	707370A1		1 Ring
3	3688849M1	● 3688856M1(1) M8x25 mm	2 Screw
4	3688650M1	! 1 M12x1,5	2 Union
5	3688754M1	! 1	2 Ring
6		◁ A-05 2 9	
!	This is a component of an assembly		
◁	See page - reference number		
●	Replacement		

<https://www.ebooklibonline.com>

Hello dear friend!

Thank you very much for reading.

Enter the link into your browser.

The full manual is available for immediate download.

<https://www.ebooklibonline.com>