

Engine

G-Max (2008- ) - RP72 - 160

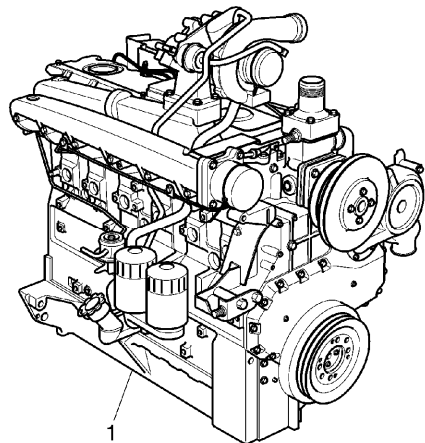
RP72\000020784.png

A-05  
01



A0501

Engine assembly - perkins 1006c - e60ta



- 1 3678638M91 ● N.L.A.(1)
- T-A 13:50
- T-B 33:0

- Replacement
- T-A Replacement
- T-B Overhaul

Inglese

- 1 Engine

Engine

G-Max (2008- ) - RP72 - 160

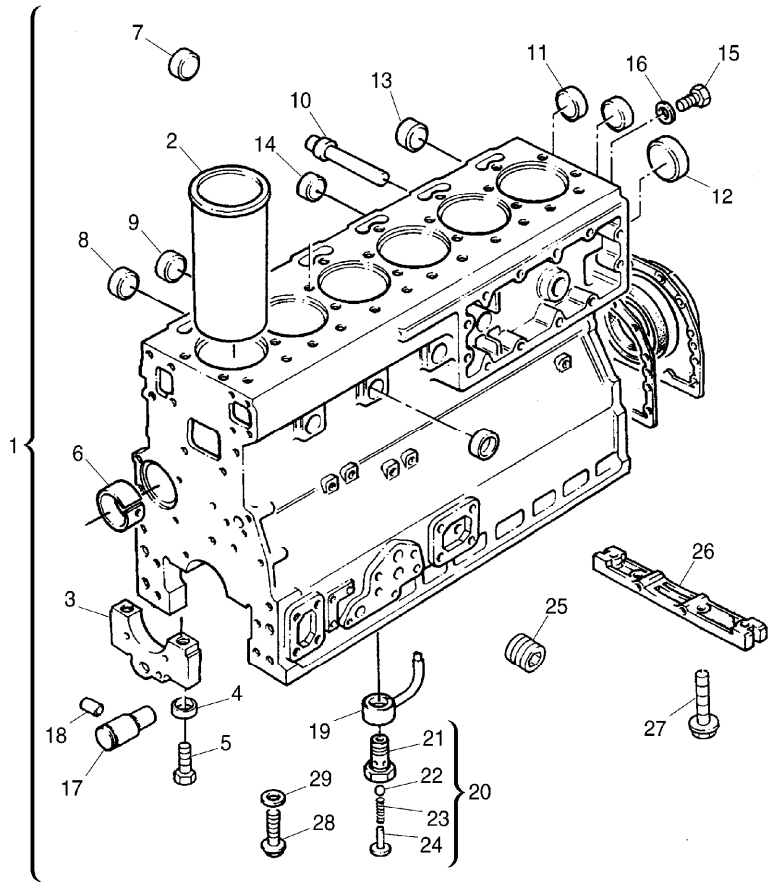
A-05  
02



A0502

Cylinder block

RP72\000021233.png




Inglese

1	ZZ50295	T-A	33:0	1	Cylinder block
2	3135X041	!	1	6	Liner
		A			
		T-A	16:0		
2	3135X042	!	1	6	Liner
		B			
		(X)	3.6.12.2		
		T-A	16:0		
2	3135X045	!	1	6	Liner
		✂	+ 0.010"		
		B			
		T-A	16:0		
2	3135X046	!	1	6	Liner
		✂	+ 0.020"		
		A			
		T-A	16:0		
3		!	1	1	Bearing
		➡	Ref.n.1		
4	33142111	!	1	14	Manicott
5	32166329	!	1	14	Screw
6	31134165	!	1	1	Bush
		T-A	16:0		
7	32418122	!	1	5	Plug
8	32416119	!	1	1	Plug
9	32417134	!	1	1	Plug

Engine

G-Max (2008- ) - RP72 - 160

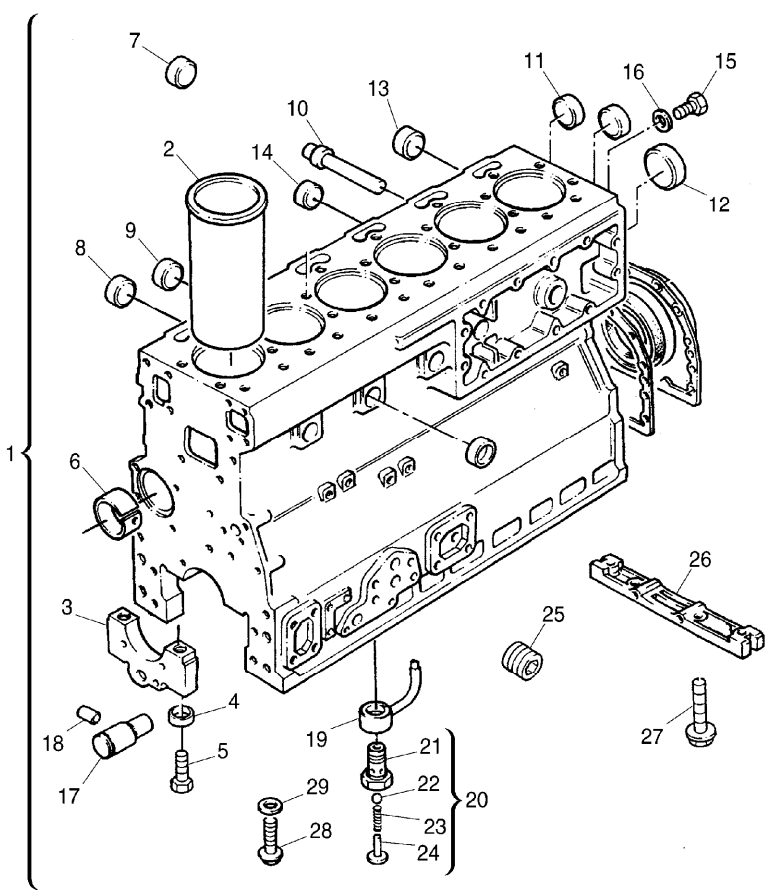
**A-05  
02**



A0502

Cylinder block

RP72\000021233.png



		Inglese	
10	2485A204	! 1	1 Plug
	● 2485A304(1)		
11	32418122	! 1	3 Plug
12	32418122	! 1	1 Plug
13	0650710	! 1	3 Plug
14	32416118	! 1	6 Plug
15	32168212	! 1	1 Plug
	● 0650582(1)		
16	2415D108	! 1	1 Washer
17	3271H004	! 1	1 Pin
17	3271H005	! 1	1 Shaft
	✂ + 1.33mm		
	D		
	E		
18	2116087	! 1	1 Pin
19	3861A027	! 1	6 Jet
	T-A 6:0		
20	4138A017	! 1	6 Valve
21		! 20	1 Valve
	➡ Ref.n.20		
22		! 20	1 Ball
	➡ Ref.n.20		
23		! 20	1 Spring
	➡ Ref.n.20		
24		! 20	1 Retainer
	➡ Ref.n.20		

**<https://www.ebooklibonline.com>**

Hello dear friend!

Thank you very much for reading.

Enter the link into your browser.

The full manual is available for immediate download.

**<https://www.ebooklibonline.com>**

Engine

G-Max (2008- ) - RP72 - 160

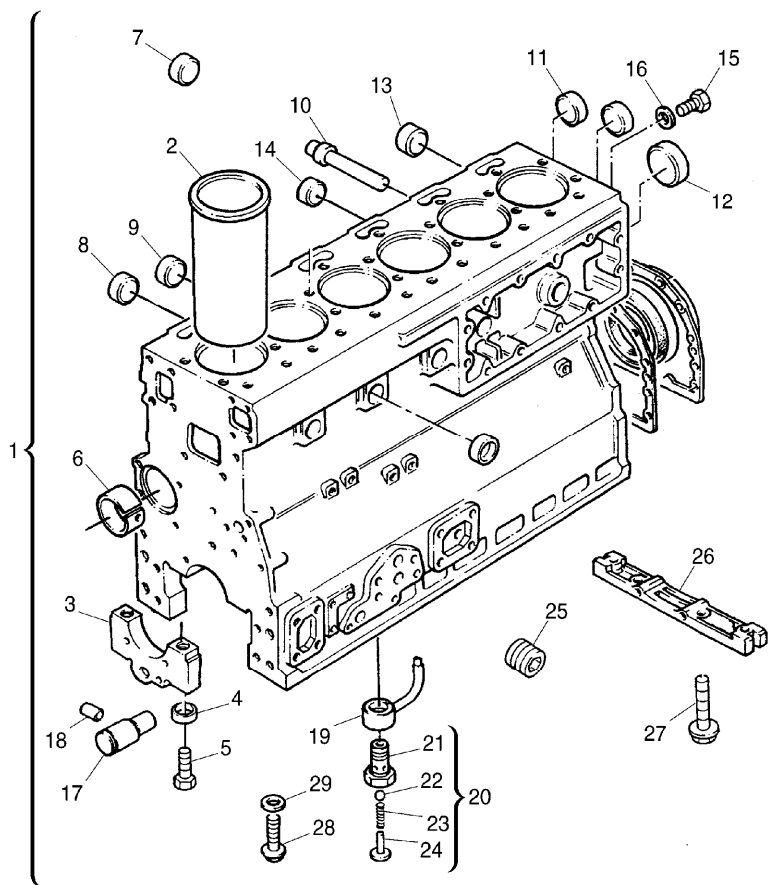
A-05  
02



A0502

Cylinder block

RP72\000021233.png



Inglese

25	3211A005	!	1	2	Plug
26	3627P043	!	1	1	Bridge piece
27	2311D039	!	1	2	Screw
28	2182110	!	1	6	Screw
29	0920469	!	1	6	Spacer

● 376616X1(6)

! This is a component of an assembly

▣ Not serviced, order

▲ Shim

● Replacement

(X) Qty per tractors sold (aa.bbb.ccc.ddd) (aa) for 1,(bbb) 2-10 (ccc) 11-25 (ddd) 26-50

T-A Replacement

A Press fit

B Slip fit

D Alternative applies to 4 cylinder engine only

E Refer to service bulletin no.163

Engine

G-Max (2008- ) - RP72 - 160

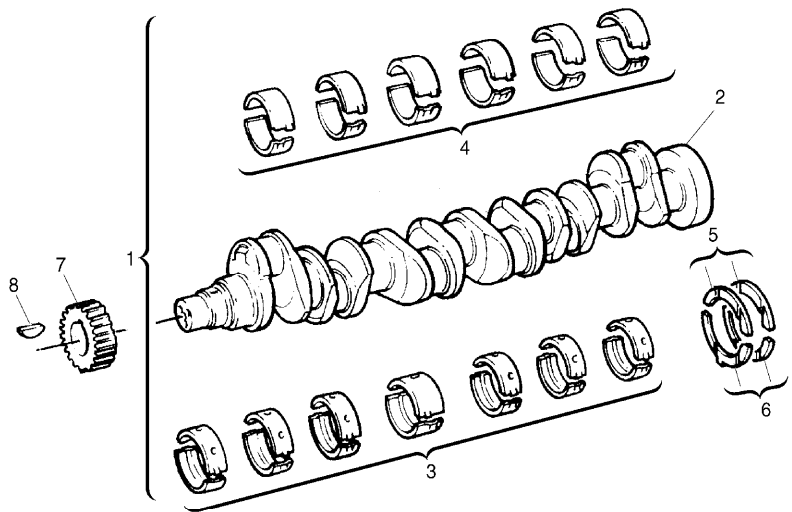
RP72\000020131.png

A-05  
03



A0503

Camshaft



Inglese

1	ZZ90229	T-A 20:0	1	Shaft
2		! 1	1	Shaft
		➡ Ref.n.1		
3	U5MB0007	! 1	1	Kit
		● U5MB0030(1)		
		A		
		T-A 20:0		
3	U5MB0007A	! 1	1	Kit
		⚡ - 0.010"		
		● U5MB0030A(1)		
		A		
		T-A 20:0		
3	U5MB0007B	! 1	1	Kit
		⚡ - 0.020"		
		● U5MB0030B(1)		
		A		
		T-A 20:0		
3	U5MB0007C	! 1	1	Kit
		⚡ - 0.030"		
		A		
		T-A 20:0		
4	U5ME0014	! 1	1	Kit
		● U5ME0035(1)		
		T-A 20:0		

Engine

G-Max (2008- ) - RP72 - 160

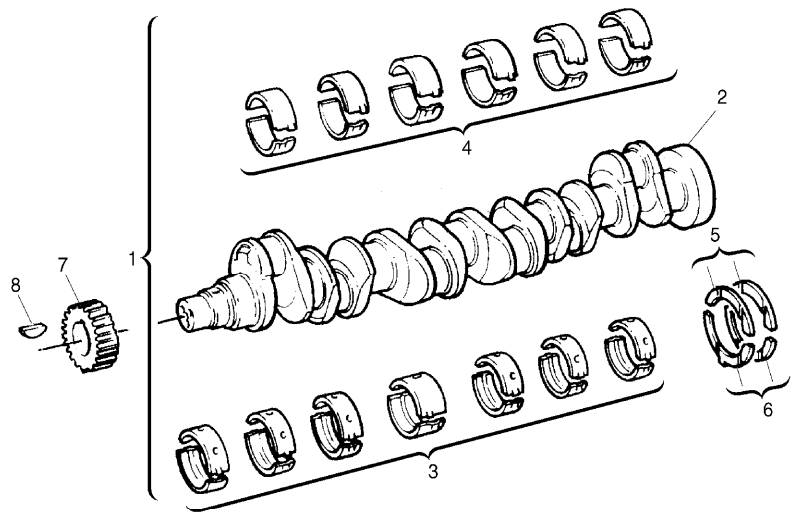
RP72\000020131.png

A-05  
03



A0503

Camshaft



Inglese

4	U5ME0014A	!	1	1 Kit
		✂	+ 0.010"	
		●	U5ME0035A(1)	
		T-A	20:0	
4	U5ME0014B	!	1	1 Kit
		✂	+ 0.020"	
		●	U5ME0035B(1)	
		T-A	20:0	
4	U5ME0014C	!	1	1 Kit
		✂	+ 0.030"	
		●	U5ME0035C(1)	
		T-A	20:0	
5	31137312	!	1	2 Ring
		✂	+ 0.007"	
5	31137551	!	1	2 Washer
		T-A	5:50	
6	31137322	!	1	2 Ring
		✂	+ 0.007"	
6	31137561	!	1	2 Washer
		T-A	5:50	
7	3117C061	T-A	6:0	1 Gear
8	0500012			1 Key
	!	This is a component of an assembly		
	▣	Not serviced, order		
	✂	Shim		
	●	Replacement		
	T-A	Replacement		

Engine

G-Max (2008- ) - RP72 - 160

RP72\000020131.png

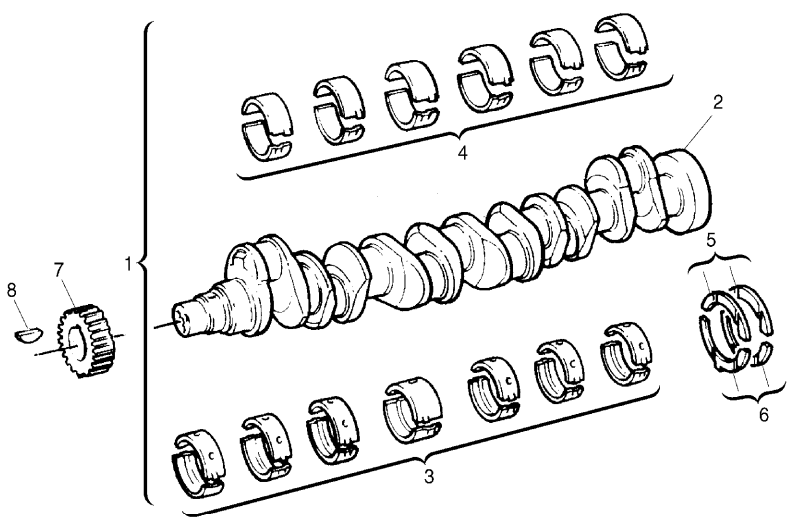
A-05  
03



A0503

Camshaft

A Ended



Engine

G-Max (2008- ) - RP72 - 160

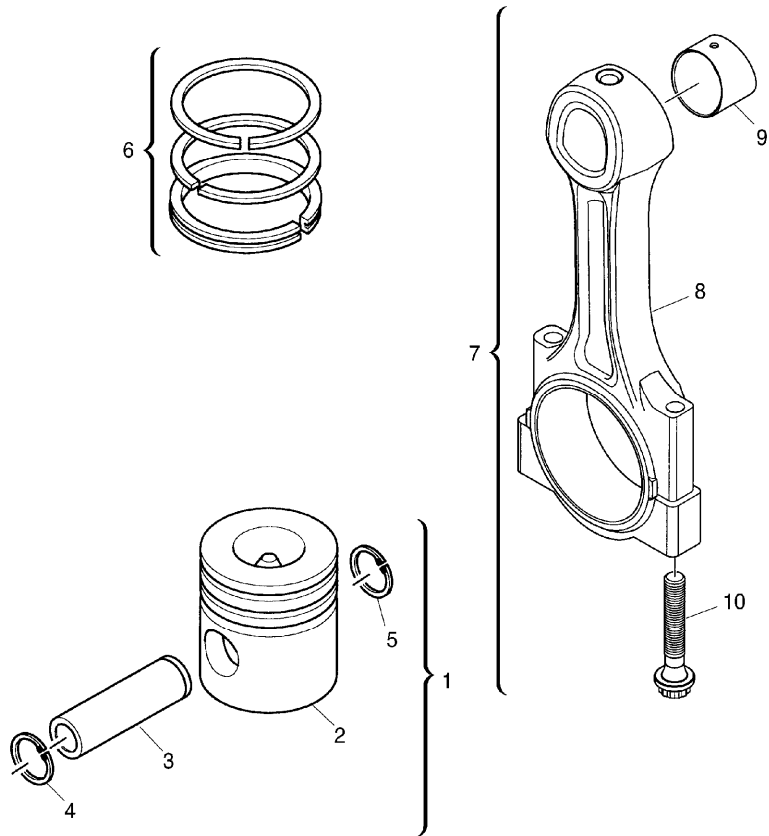
RP72\000021234.png

**A-05  
04**



A0504

Pistons and connecting rods



		Inglese	
1	U5LL0038	● U5LL0047(6) T-A 15:0	6 Piston
2		! 1	1 Piston
3		➡ Ref.n.1 ! 1	1 Pin
4	2721A029	! 1	1 Ring
5	2721A029	! 1	1 Ring
6	4181A026	(X) 3.6.12.2 T-A 14:50	6 Kit
7	4115C321	T-A 14:50	6 Kit
8		! 7 ➡ Ref.n.7	1 Conrod
9	3112A006	! 7 T-A 2:50	1 Bush
10	3212V003	! 7	2 Screw
		! This is a component of an assembly	
		➡ Not serviced, order	
		● Replacement	
		(X) Qty per tractors sold (aa.bbb.ccc.ddd) (aa) for 1,(bbb) 2-10 (ccc) 11-25 (ddd) 26-50	
		T-A Replacement	

Engine

G-Max (2008- ) - RP72 - 160

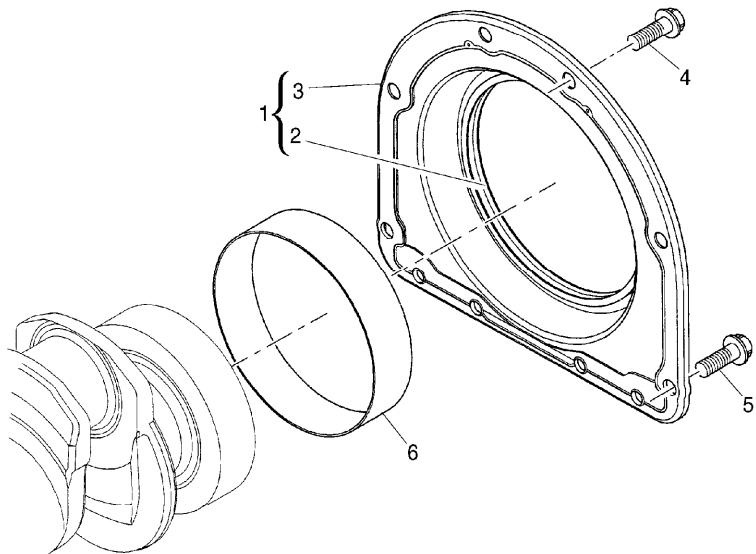
RP72\000020678.png

A-05  
05



A0505

End cover



				Inglese
1	2418F701	(X)	1.3.6.1	1 Seal
		T-A	7:0	
2		!	1	1 Seal
		➡	Ref.n.1	
3		!	1	1 Housing
		➡	Ref.n.1	
4	3211C002			6 Screw
5	3211C002			4 Screw
6	21826222	A		1 Sleeve
		T-A	7:0	

- ! This is a component of an assembly
- ➡ Not serviced, order
- (X) Qty per tractors sold (aa.bbb.ccc.ddd) (aa) for 1,(bbb) 2-10 (ccc) 11-25 (ddd) 26-50
- T-A Replacement
- A Use with worn crankshaft only

Engine

G-Max (2008- ) - RP72 - 160

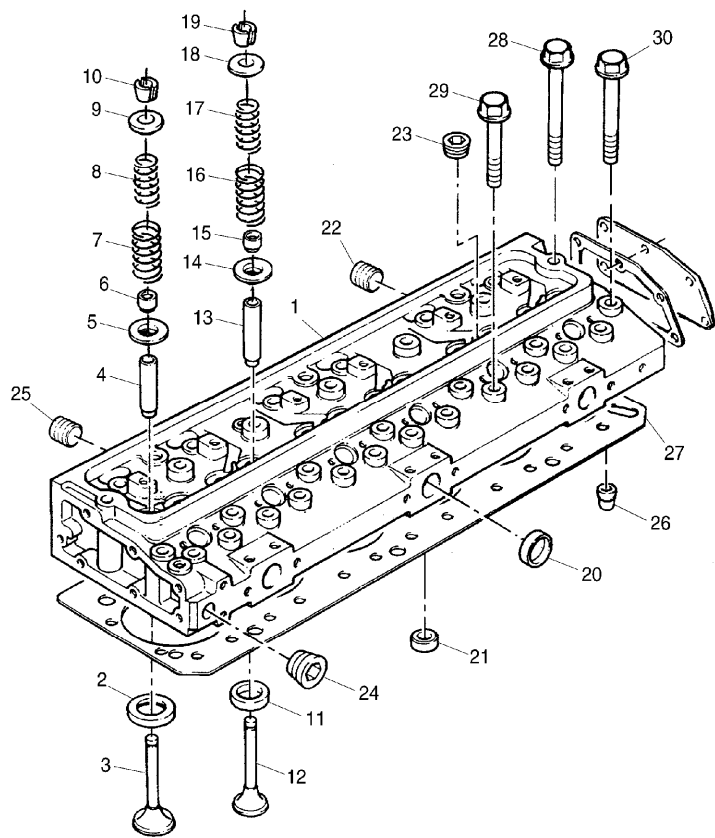
RP72\000021255.png

A-05  
06



A0506

Cylinder head



Inglese

-			
1	ZZ80229		1 Kit
2	3324E003	! 1	6 Ring
		T-A 10:50	
3	3142L072	! 1	6 Valve
		T-A 9:75	
4	3343F041	! 1	1 Guide
		T-A 10:75	
5	33415118	! 1	6 Washer
		T-A 1:50	
6	33817117	! 1	6 Seal
		T-A 1:50	
7	31745122	! 1	6 Spring
		T-A 1:50	
8	31744133	! 1	6 Spring
		● 6518765M1(1)	
		T-A 1:50	
9	33424107	! 1	6 Coperch.
		T-A 1:50	
10	33173108	! 1	12 Cotter
		A	
		T-A 1:50	
11	3314A122	! 1	6 Ring
		T-A 1:50	
12	3142A051	! 1	6 Valve
		T-A 9:75	

Engine

G-Max (2008- ) - RP72 - 160

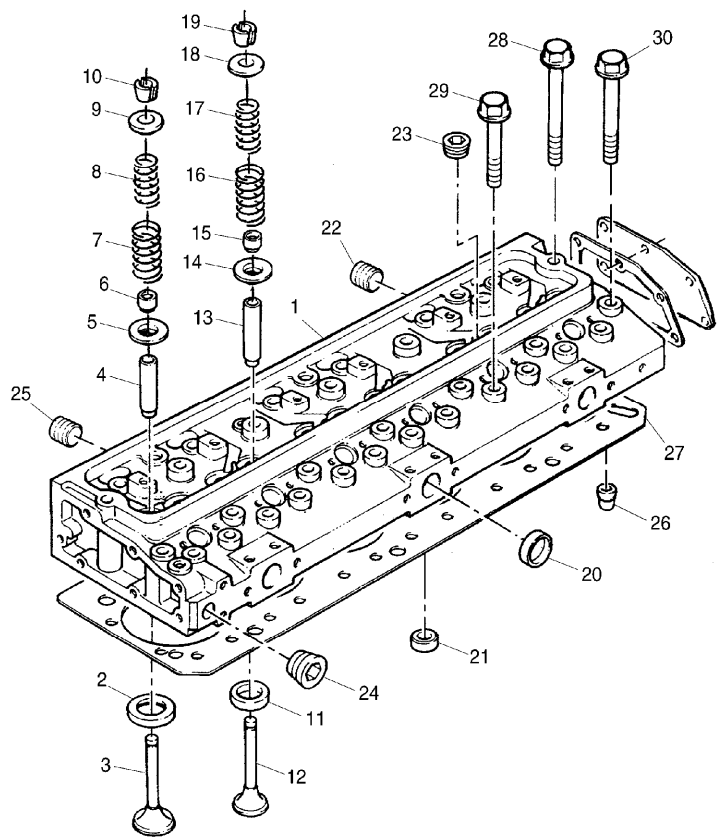
A-05  
06



A0506

Cylinder head

RP72\000021255.png



				Inglese
13	3343J021	!	1	1 Guide
		T-A	10:50	
14	33415118	!	1	6 Washer
		T-A	1:50	
15	33817117	!	1	6 Seal
		T-A	1:50	
16	31745122	!	1	6 Spring
		T-A	1:50	
17	31744133	!	1	6 Spring
		●	6518765M1(1)	
		T-A	1:50	
18	33424107	!	1	6 Coperch.
		T-A	1:50	
19	33173108	!	1	12 Cotter
		A		
		T-A	1:50	
20	0650710	!	1	3 Plug
21	32417156	!	1	6 Plug
22	3212P002	!	1	1 Plug
		T-A	0:50	
23	0650586	!	1	6 Plug
24	2431154	!	1	1 Plug
25	2431154	!	1	1 Plug
26	29990001	!	1	2 Dowel
		B		
27	3681H208	(X)	1.3.6.1	1 Gasket

Engine

G-Max (2008- ) - RP72 - 160

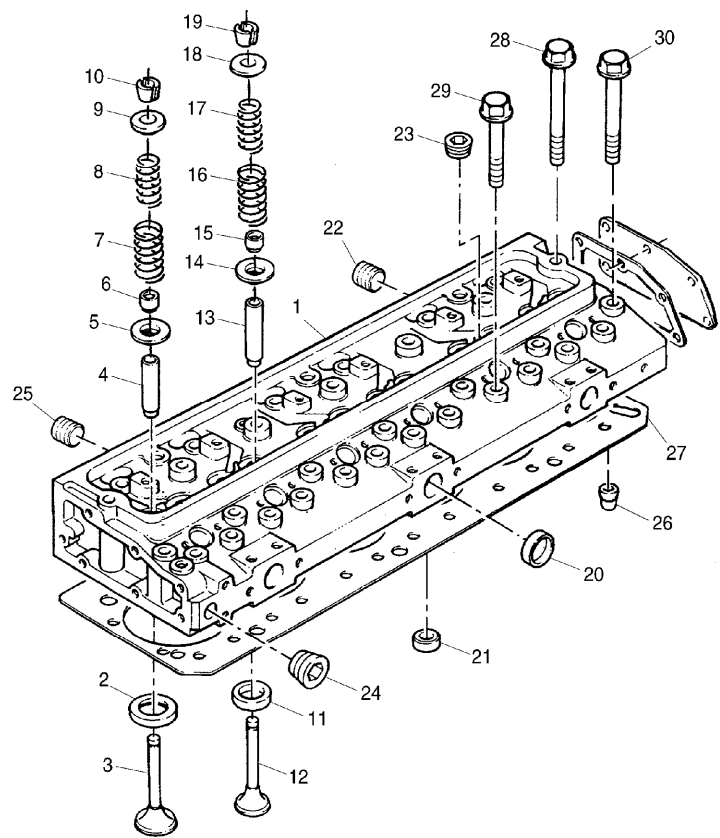
A-05  
06



A0506

Cylinder head

RP72\000021255.png



Inglese

- 28 32166222 2 Screw
- 29 32166219 12 Screw
- 30 32166221 18 Screw

- ! This is a component of an assembly
- Replacement
- (X) Qty per tractors sold (aa.bbb.ccc.ddd) (aa) for 1,(bbb) 2-10 (ccc) 11-25 (ddd) 26-50
- T-A Replacement
- A Service in pairs
- B Locating dowels

Engine

G-Max (2008- ) - RP72 - 160

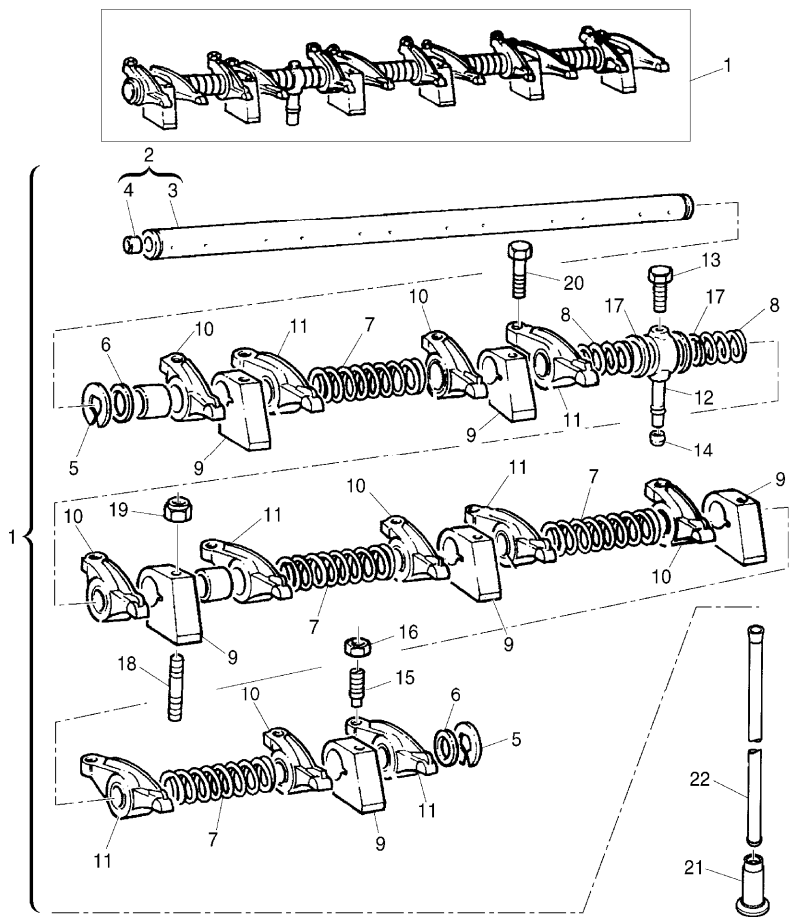
A-05  
07



A0507

Rocker shaft

RP72\000020134.png



Inglese

1	ZZ90057	T-A 1:75	1	Shaft
2	U7LR0003	! 1	1	Shaft
		T-A 1:75		
3		! 2	1	Shaft
		➡ Ref.n.2		
4	0650507	! 2	2	Plug
5	0170151	! 1	2	Ring
6	33117434	! 1	2	Lock washer
7	31744123	! 1	4	Spring
		T-A 1:75		
8	31743108	! 1	2	Spring
		T-A 1:75		
9	3818X901	! 1	6	Poppet
		T-A 2:25		
10	4115R305	! 1	6	Axle
		● 4115R505(6)		
		T-A 1:75		
11	4115R306	! 1	6	Rocker
		● 4115R506(6)		
		T-A 1:75		
12	3775E012	! 1	1	Union
		T-A 1:75		
13	2233022	! 1	1	Screw
14	33811113	! 1	1	Ring
		● 376525X1(1)		
15	32114145	! 1	12	Screw

Engine

G-Max (2008- ) - RP72 - 160

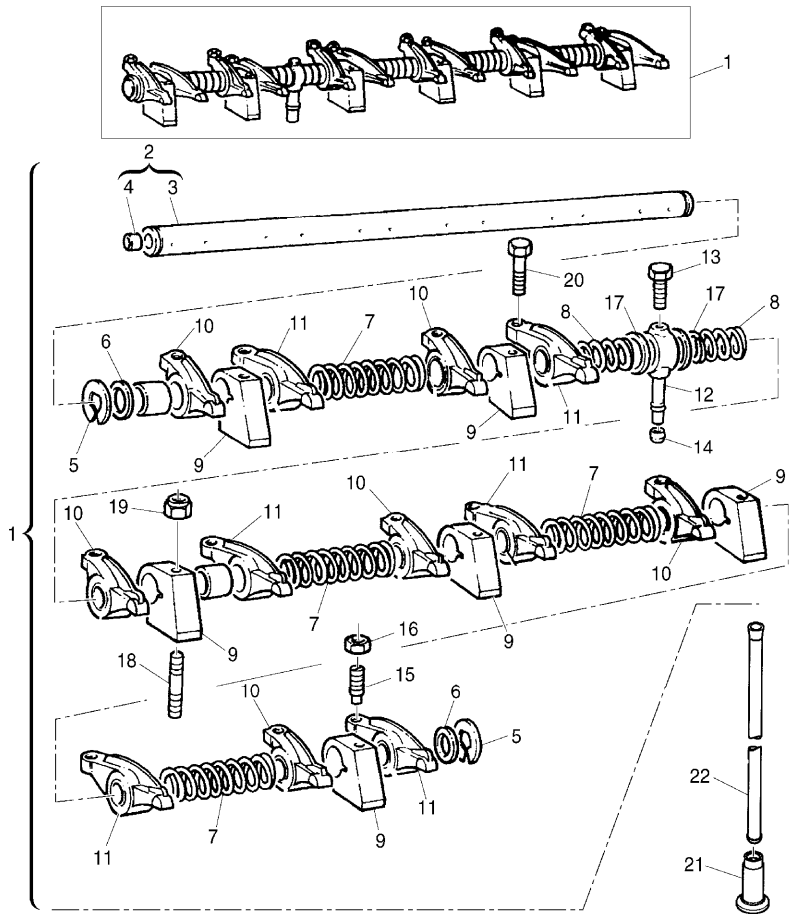
**A-05  
07**



A0507

Rocker shaft

RP72\000020134.png



**Inglese**

- |    |          |     |             |    |        |
|----|----------|-----|-------------|----|--------|
| 16 | 0576052  | !   | 1           | 12 | Nut    |
| 17 | 3311K015 | !   | 1           | 2  | Shim   |
|    |          | T-A | 1:75        |    |        |
| 18 | 2313H331 |     |             | 4  | Stud   |
| 19 | 2318A605 |     |             | 4  | Nut    |
| 20 | 2314J607 |     |             | 2  | Screw  |
| 21 | 3142U031 | ●   | 3142U991(6) | 6  | Tappet |
|    |          | T-A | 16:0        |    |        |
| 22 | 31434307 | T-A | 2:25        | 6  | Rod    |
- ! This is a component of an assembly  
 ▣ Not serviced, order  
 ● Replacement  
 T-A Replacement

Engine

G-Max (2008- ) - RP72 - 160

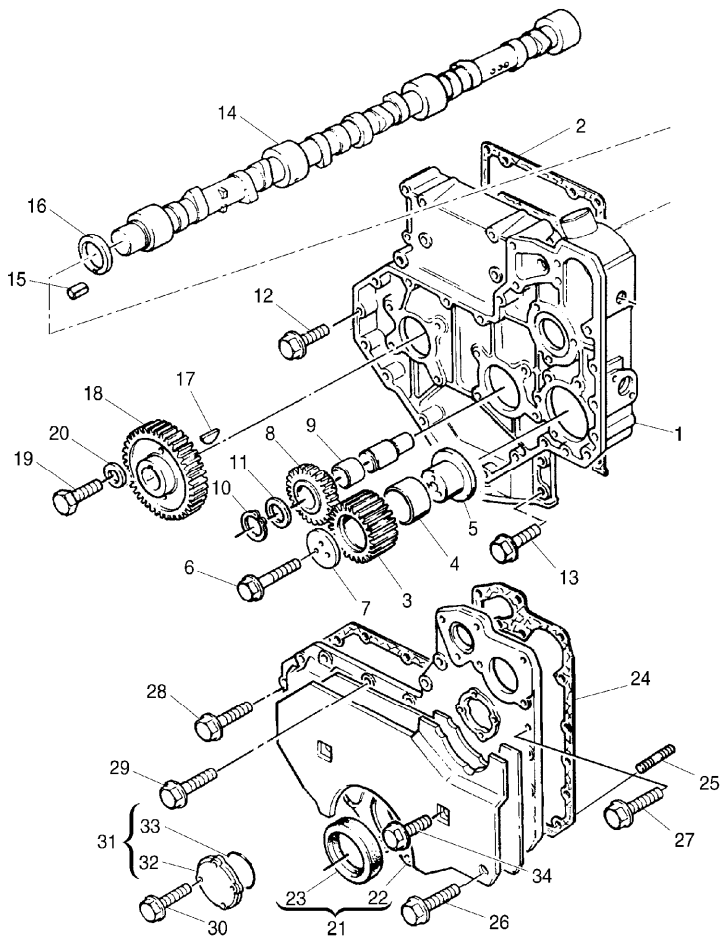
RP72\000021256.png

A-05  
08



A0508

Timing gear and camshaft



		Inglese	
1	3716C242	● 3716C522(1)	1 Coperch.
		T-A 7:75	
2	3681P009	● 21826412(1)	1 Gasket
		T-A 7:75	
3	4111A013	T-A 6:0	1 Gear
4	0050345	! 3	2 Thimble
		T-A 6:0	
5	33426161	● 3311A054(1)	1 Collar
		T-A 6:0	
6	2314J011		3 Screw
7	3241A021	● 3272A033(1)	1 Plate
8	4111A008	T-A 5:25	1 Gear
9	2511437	! 8	1 Bush
		T-A 6:0	
10	2722A206		1 Ring
11	33123125		1 Washer
12	2314H003		8 Screw
13	2314H004		4 Screw
14	31416307	● 4112K051(1)	1 Shaft
15	2116053		1 Pin
16	33153121		1 Washer
17	0500012		1 Key
18	3117L023	T-A 6:0	1 Gear
19	2314J606		1 Screw
20	3321A003		1 Washer

Engine

G-Max (2008- ) - RP72 - 160

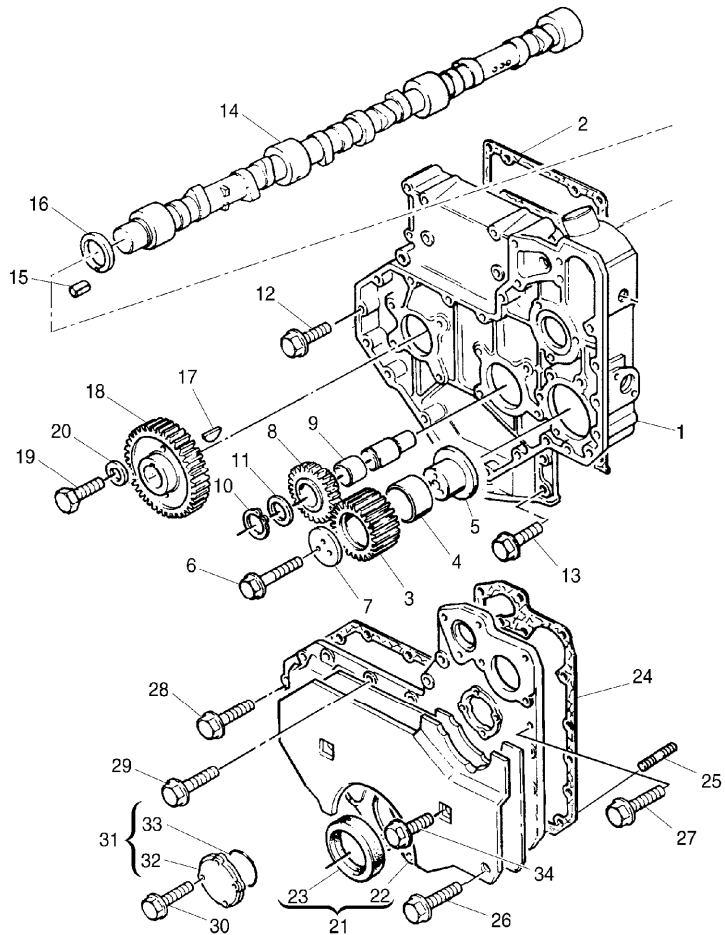
RP72\000021256.png

A-05  
08



A0508

Timing gear and camshaft



				Inglese
21	4142A171	T-A 5:75		1 Ring
22	!	21		1 Ring
	➡	Ref.n.21		
23	2418F436	!	21	1 Seal
	●	2418F437(1)		
	(X)			
24	3681P019	●	U5MK0641(1)	1 Gasket
	(X)			
	T-A 5:75			
25	2313M058			2 Stud
26	2318A603			2 Nut
27	2314H004			1 Screw
28	2314H005			6 Screw
29	2314H013			6 Screw
30	2314F036			4 Screw
31	4152A002			1 Coperch.
32	!	31		1 Cover
	➡	Ref.n.31		
33	2415A093			1 Ring
34	2314F002			2 Screw
!	This is a component of an assembly			
➡	Not serviced, order			
●	Replacement			
(X)	Qty per tractors sold (aa.bbb.ccc.ddd) (aa) for 1,(bbb) 2-10 (ccc) 11-25 (ddd) 26-50			
T-A	Replacement			

Engine

G-Max (2008- ) - RP72 - 160

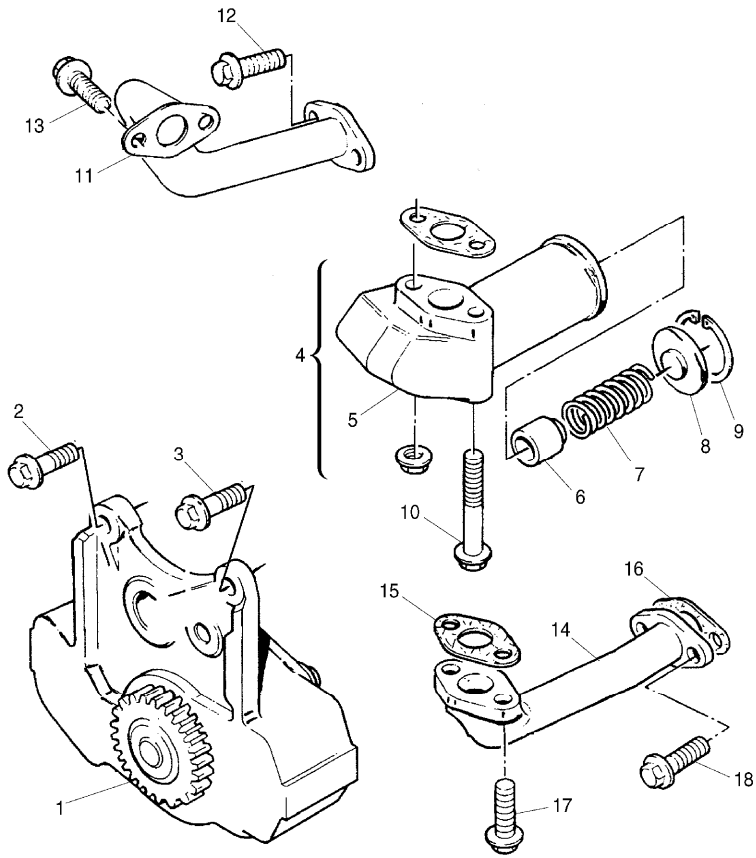
RP72\000020136.png

A-05  
09



A0509

Lubricating oil pump and delivery housing



				Inglese
1	4132F057	T-A	5:25	1 Pump
2	2314H004			2 Screw
3	2314H002			1 Screw
4	4138A034	T-A	5:25	1 Valve
5		!	4	1 Valve
		▶	Ref.n.4	
6	32712726	!	4	1 Piston
		T-A	5:25	
7	31744151	!	4	1 Spring
		T-A	5:25	
8	32712111	!	4	1 Cup
		T-A	5:25	
9	2721130	!	4	1 Ring
		T-A	5:25	
10	2314K161			2 Screw
11	3571C045	T-A	5:25	1 Pipe
12	2314H004			2 Screw
13	2314H004			2 Screw
14	3572V013	T-A	5:25	1 Pipe
15	36832143	T-A	5:25	1 Gasket
16	36831127	T-A	5:25	1 Gasket
17	2314F004			2 Screw
18	2311D038			2 Screw
!	This is a component of an assembly			
▶	Not serviced, order			
T-A	Replacement			

Engine

G-Max (2008- ) - RP72 - 160

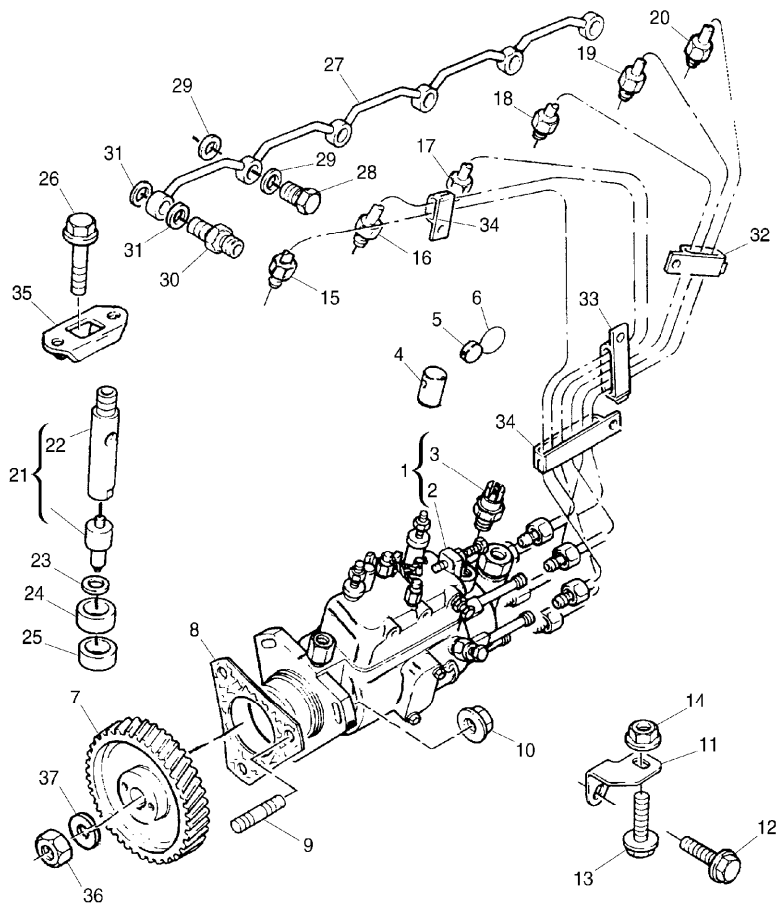
**A-05**  
**10**



A0510

Fuel injection equipment (diesel)

RP72\000021257.png



		Inglese	
1	U FK3M122	➔ U738861g ● N.L.S.(1) A	1 Kit
2		! 1 ➔ Ref.n.1	1 Kit
3	26420469	! 1 (X) 1.3.6.1 T-A 0:25	1 Solenoid
4	2648A110		1 Manicott
5	31718104		1 Sealer
6	31718105		1 Wire, retaining
7	3117L052	T-A 5:0	1 Gear
8	3682A008		1 Gasket
9	3211P004	● 2313m059	3 Stud
10	2318A603		3 Nut
11	3645E008		1 Support
12	2314J002		1 Screw
13	2314H003		1 Screw
14	2318A603		1 Nut
15	3521P062	➔ U593766a T-A 0:75	1 Pipe
16	3521P063	➔ U593766a T-A 0:75	1 Pipe
17	3521P064	➔ U593766a T-A 0:75	1 Pipe

Engine

G-Max (2008- ) - RP72 - 160

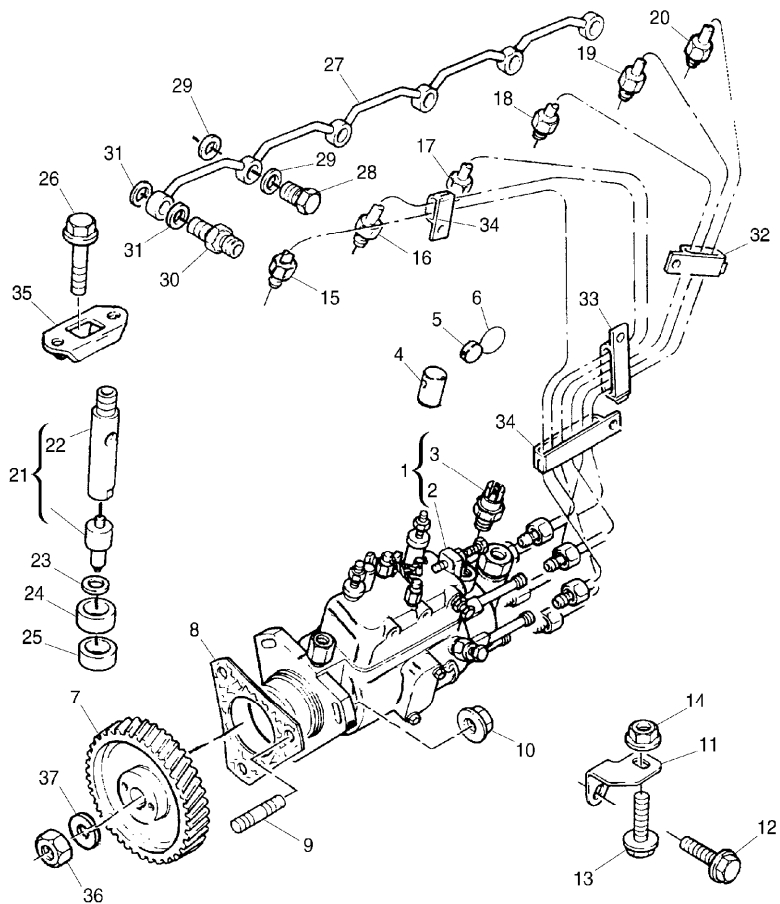
A-05  
10



A0510

Fuel injection equipment (diesel)

RP72\000021257.png



		Inglese	
18	3521P065	➔ U593766a T-A 0:75	1 Pipe
19	3521P065	➔ U593766a T-A 0:75	1 Pipe
20	3521P067	➔ U593766a T-A 0:75	1 Pipe
21	2645A026	(X) 6.12.20.3	6 Atomiser
22	2645A304	! 21 T-A 0:50	1 Support
23	0921173		6 Washer
24	33813129		6 Spacer
25	33813131	● 3311A042(6)	6 Seal
26	2314H006		12 Screw
27	3558X021		1 Pipe
28	3218R039	➔ 01/06/2003	3 Bolt
29	2411D007	➔ 01/06/2003	6 Washer
30	3355E005	➔ 01/06/2003	3 Connection
31	2411D007	➔ 01/06/2003	6 Washer
32	2646E007	➔ U593766a	1 Clip
33	2646E009	➔ U593766a	1 Clip
34	2646E010	➔ U593766a	1 Clip
35	3662K002	● 3663k001	6 Clamp
36	2318A108		1 Nut
37	K134AF01		1 Washer

! This is a component of an assembly

Engine

G-Max (2008- ) - RP72 - 160

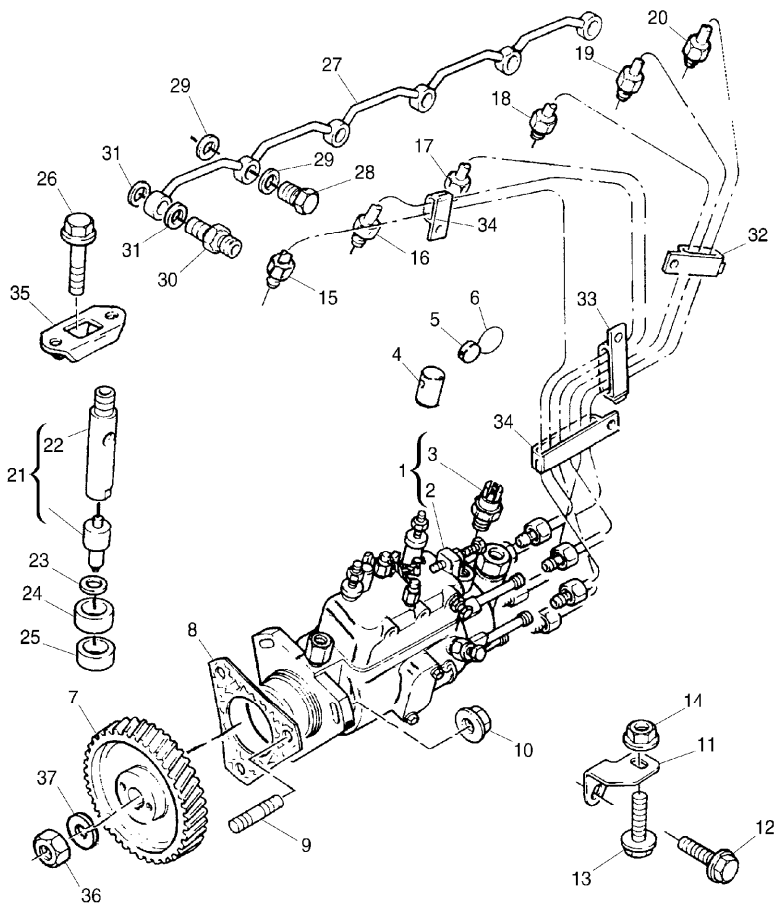
A-05  
10



A0510

Fuel injection equipment (diesel)

RP72\000021257.png



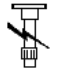
- ➔ From serial or engine number
- Repairs and replaces
- ➔ Not serviced, order
- Replacement
- (X) Qty per tractors sold (aa.bbb.ccc.ddd) (aa) for 1,(bbb) 2-10 (ccc) 11-25 (ddd) 26-50
- T-A Replacement
- A For breakdown details see following pages



Engine

G-Max (2008- ) - RP72 - 160

**A-05**  
**11**

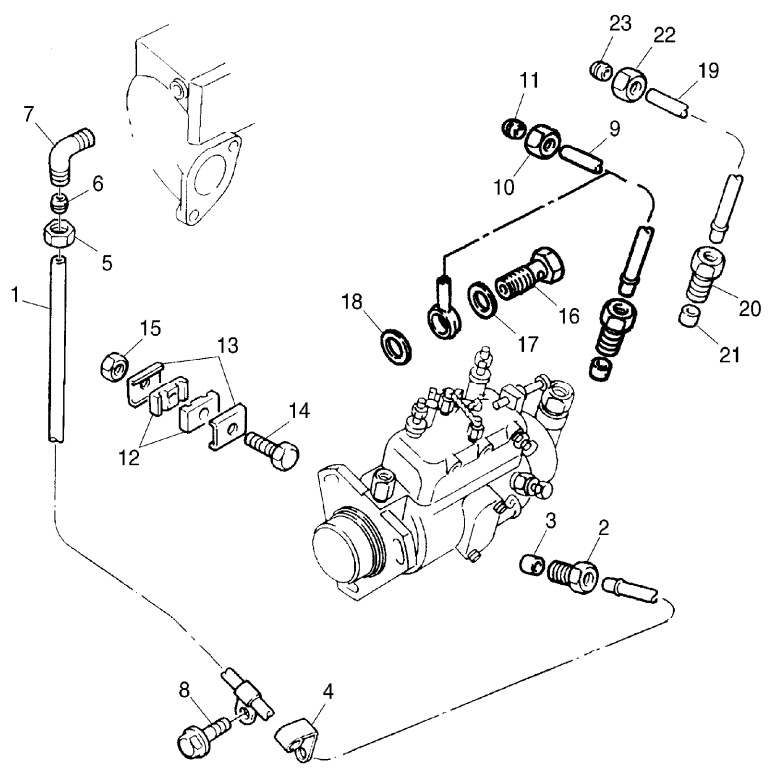


A0511

Fuel system

RP72\000021258.png

● Replacement  
T-A Replacement



Engine

G-Max (2008- ) - RP72 - 160

RP72\000020138.png

A-05  
12

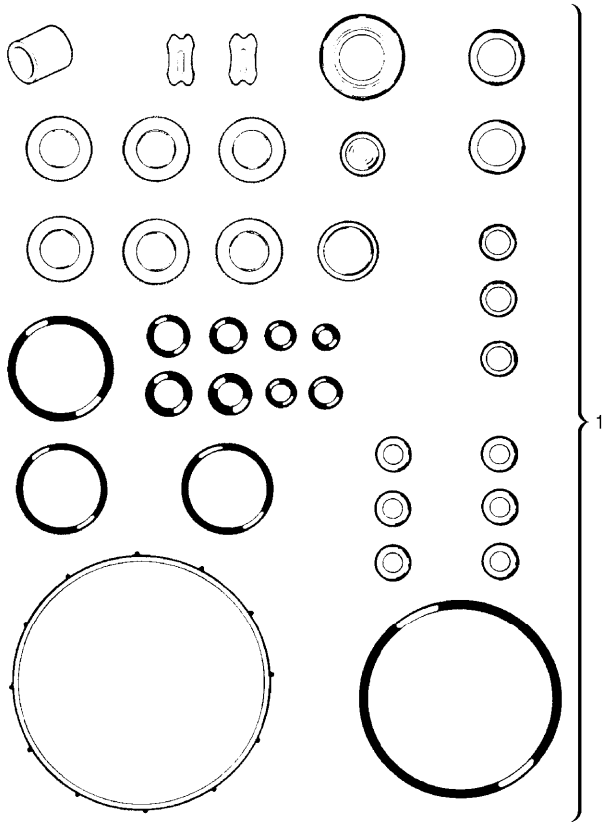


A0512

Kit gasket

1 26431815

Inglese  
999 Kit



Engine

G-Max (2008- ) - RP72 - 160

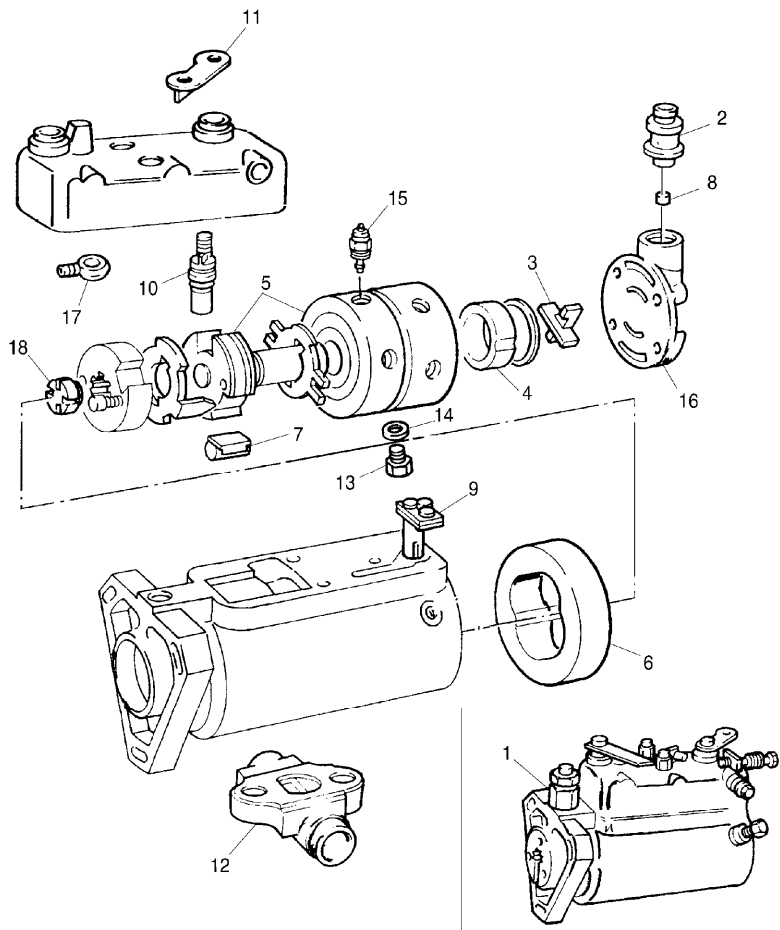
RP72\000021259.png

**A-05  
13**



A0513

Injection pump assy



				Inglese
1	2643M022	●	N.L.S.(1)	1 Pump
		T-A	2:50	
		T-B	3:50	
2	26431329	!	1	1 Manicott
3	0997231	!	1	1 Blade cutter
4	26430793	!	1	1 Liner
5	26431816	!	1	1 Rotor
6	26431833	!	1	1 Ring
		●	N.L.A.(1)	
7	26431818	!	1	1 Valve
8		!	1	1 Piston
		A		
9	26431819	!	1	1 Valve
9	26431820	!	1	1 Valve
10	26431730	!	1	1 Shaft
11	26431708	!	1	1 Nameplate
12	26431821	!	1	1 Head
13		!	1	1 Plug
		A		
14		!	1	1 Washer
		A		
15	28730179	!	1	1 Solenoid
		●	26420469(1), 3161C012(1), 4181V013(1)	

Engine

G-Max (2008- ) - RP72 - 160

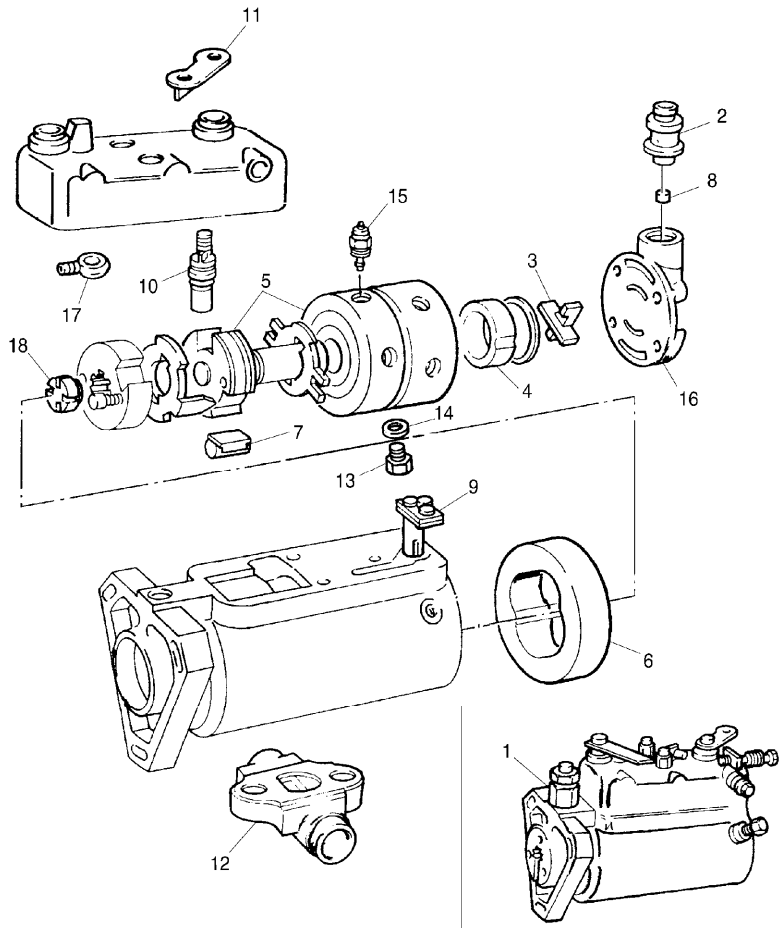
RP72\000021259.png

A-05  
13



A0513

Injection pump assy



16	26431838	!	1	
		●	26431834	
17	26431835	!	1	
18		!	1	

Inglese

- 1 Disc
- 1 Connection
- 1 Rotor

A

- ! This is a component of an assembly
- Repairs and replaces
- Replacement
- T-A Replacement
- T-B Overhaul
- A To be advised



**Suggest:**

**For more complete manuals. Please go to the home page.**

**<https://www.ebooklibonline.com>**

**If the above button click is invalid. Please download this document first, and then click the above link to download the complete manual.**

**Thank you so much for reading**

Engine

G-Max (2008- ) - RP72 - 160

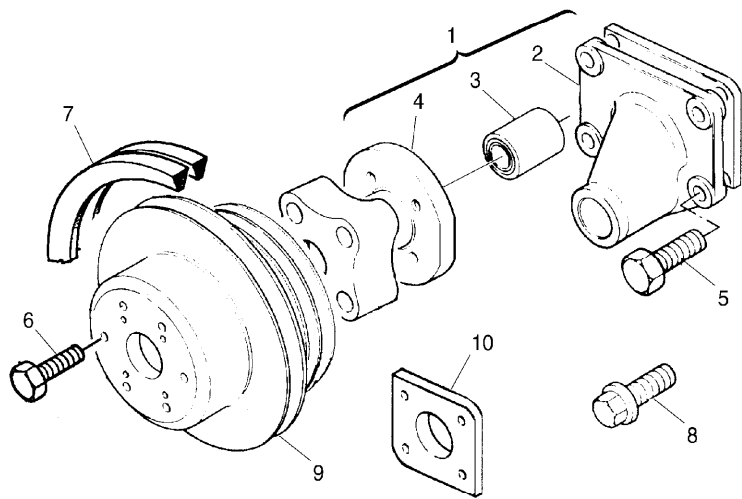
RP72\000021260.png

**A-05  
14**



A0514

Fan-type pulley



				Inglese
1	4113H072	T-A	1:75	1 Flange
2		!	1	1 Housing
		➡	Ref.n.1	
3		!	1	1 Bearing
		➡	Ref.n.1	
4		!	1	1 Hub
		➡	Ref.n.1	
5	2314J008			4 Screw
6	2314H004			4 Screw
7	2614B666	●	2614B166(1)	1 Belt
		A		
		(X)		
		T-A	0:75	
8	2314J011			4 Screw
9	3115C101	T-A	1:50	1 Pulley
10	3612H002	B		2 Plate
!	This is a component of an assembly			
➡	Not serviced, order			
●	Replacement			
(X)	Qty per tractors sold (aa.bbb.ccc.ddd) (aa) for 1,(bbb) 2-10 (ccc) 11-25 (ddd) 26-50			
T-A	Replacement			
A	Serviced in pairs			
B	Was 3612h001 use 3612h002			

Engine

G-Max (2008- ) - RP72 - 160

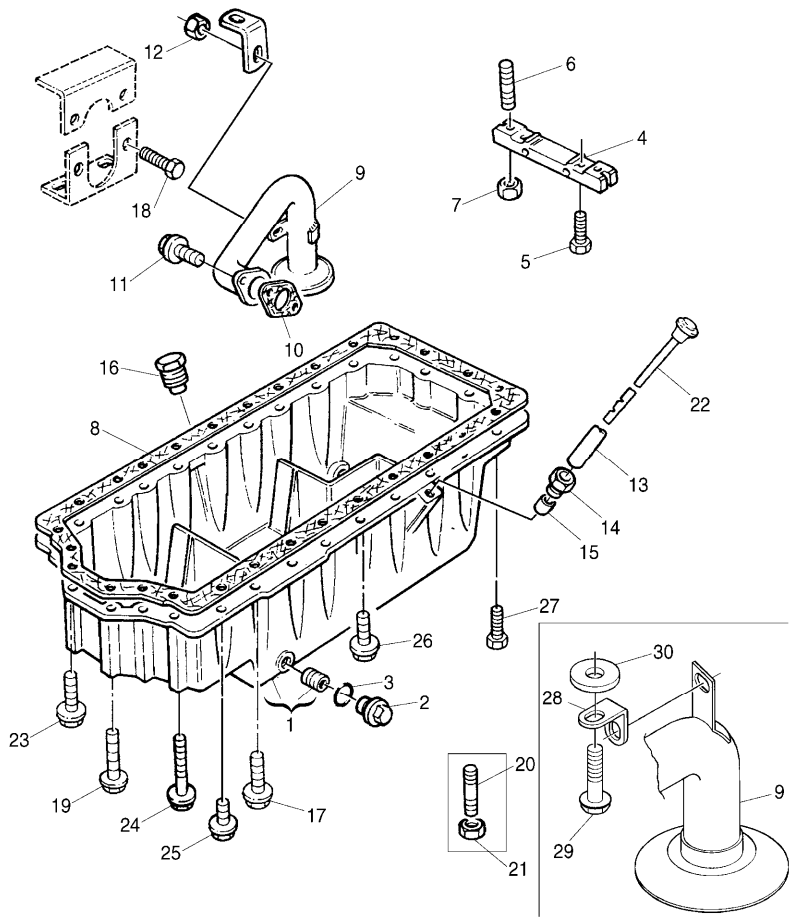
RP72\000020141.png

**A-05  
15**



A0515

Lubricating oil sump



- |    |          |     |                    |
|----|----------|-----|--------------------|
| 1  | 3717P174 | T-A | 5:0                |
| 2  | 32186405 |     |                    |
| 3  | 2415715  |     |                    |
| 4  | 3627P043 | ➔   | U764752h           |
| 5  | 2311D039 |     |                    |
| 6  | 3211P005 |     |                    |
| 7  | 2318A603 |     |                    |
| 8  | 3681M007 | (X) | 1.3.6.1<br>T-A 5:0 |
| 9  | 3575K007 | T-A | 5:25               |
| 10 | 3683H005 |     |                    |
| 11 | 2314H004 |     |                    |
| 12 | 2318A603 |     |                    |
| 13 | 3577A125 | T-A | 0:25               |
| 14 | 3353D005 | !   | 13                 |
| 15 | 33812116 |     |                    |
| 16 | 2431A016 |     |                    |
| 17 | 2314H019 |     |                    |
| 18 | 2314H002 |     |                    |
| 19 | 2314H019 |     |                    |
| 20 | 3211P005 |     |                    |
| 21 | 2318A603 |     |                    |
| 22 | 3178C079 | T-A | 0:25               |
| 23 | 2314H008 |     |                    |

**Inglese**

- 1 Pan
- 2 Plug
- 2 Ring
- 1 Crosspiece
- 2 Screw
- 2 Stud
- 2 Nut
- 1 Gasket
- 1 Pipe
- 1 Gasket
- 2 Screw
- 1 Nut
- 1 Pipe
- 1 Nut
- 1 Olive
- 1 Plug
- 2 Screw
- 1 Screw
- 4 Screw
- 2 Stud
- 2 Nut
- 1 Dipstick
- 2 Screw

**<https://www.ebooklibonline.com>**

Hello dear friend!

Thank you very much for reading.

Enter the link into your browser.

The full manual is available for immediate download.

**<https://www.ebooklibonline.com>**