

Engine

G-Max (2008- ) - RP72 - 130

RP72\000020783.png

A-05  
01



A0501

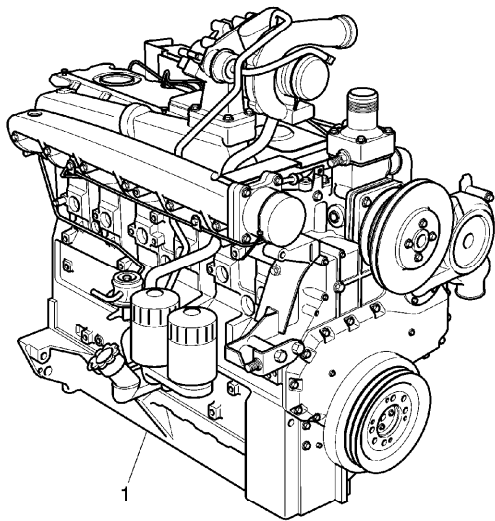
Engine assembly - perkins 1006 - 6t4

Inglese

1 3681177M91 T-A 13:50  
T-B 24:0

1 Engine

T-A Replacement  
T-B Overhaul



Engine

G-Max (2008- ) - RP72 - 130

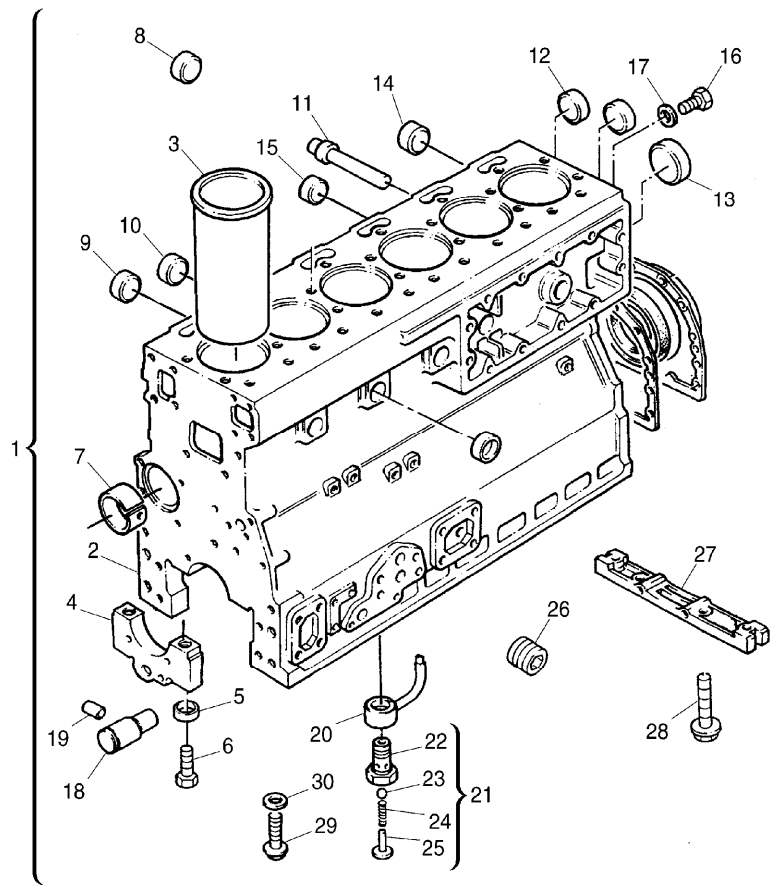
A-05  
02



A0502

Cylinder block

RP72\000021232.png



		Inglese	
1	ZZ50295	T-A 24:0	1 Cylinder block
2		! 1	1 Cylinder block
3	3135X041	➡ Ref.n.1 ! 1 A (X) 2.6.10.1 T-A 16:0	6 Liner
3	3135X042	! 1 B T-A 16:0	6 Liner
3	3135X045	! 1 ✂ +0.010" B T-A 16:0	6 Liner
3	3135X046	! 1 ✂ +0.020" A T-A 16:0	6 Liner
4		! 1 ➡ Ref.n.1	1 Bearing
5		! 1 ➡ Ref.n.1	14 Thimble
6	32166329	! 1	14 Screw
7	31134165	! 1	1 Bush
8	32418122	! 1	5 Plug
9	32416119	! 1	1 Plug

Engine

G-Max (2008- ) - RP72 - 130

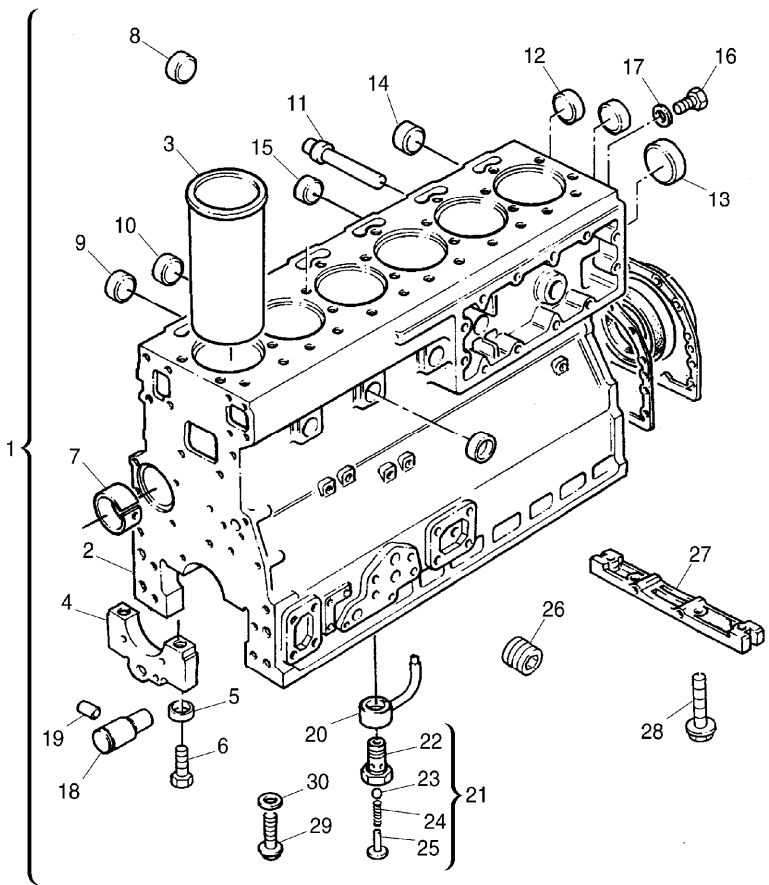
A-05  
02



A0502

Cylinder block

RP72\000021232.png



				Inglese
10	32417134	!	1	1 Plug
11	2485A204	!	1	1 Plug
		●	2485A304(1)	
12	32418122	!	1	3 Plug
13	32418122	!	1	1 Plug
		T-A	0:50	
14	0650710	!	1	3 Plug
15	32416118	!	1	6 Plug
16	32168212	!	1	1 Plug
		●	0650582(1)	
17	2415D108	!	1	1 Washer
18	3271H004	!	1	1 Pin
18	3271H005	!	1	1 Shaft
		✂	+ 1.33mm	
		D		
		E		
19	2116087	!	1	1 Pin
20	3861A027	!	1	6 Jet
21	4138A017	!	1	6 Valve
22		!	21	1 Valve
		➡	Ref.n.21	
23		!	21	1 Ball
		➡	Ref.n.21	
24		!	21	1 Spring
		➡	Ref.n.21	

**<https://www.ebooklibonline.com>**

Hello dear friend!

Thank you very much for reading.

Enter the link into your browser.

The full manual is available for immediate download.

**<https://www.ebooklibonline.com>**

Engine

G-Max (2008- ) - RP72 - 130

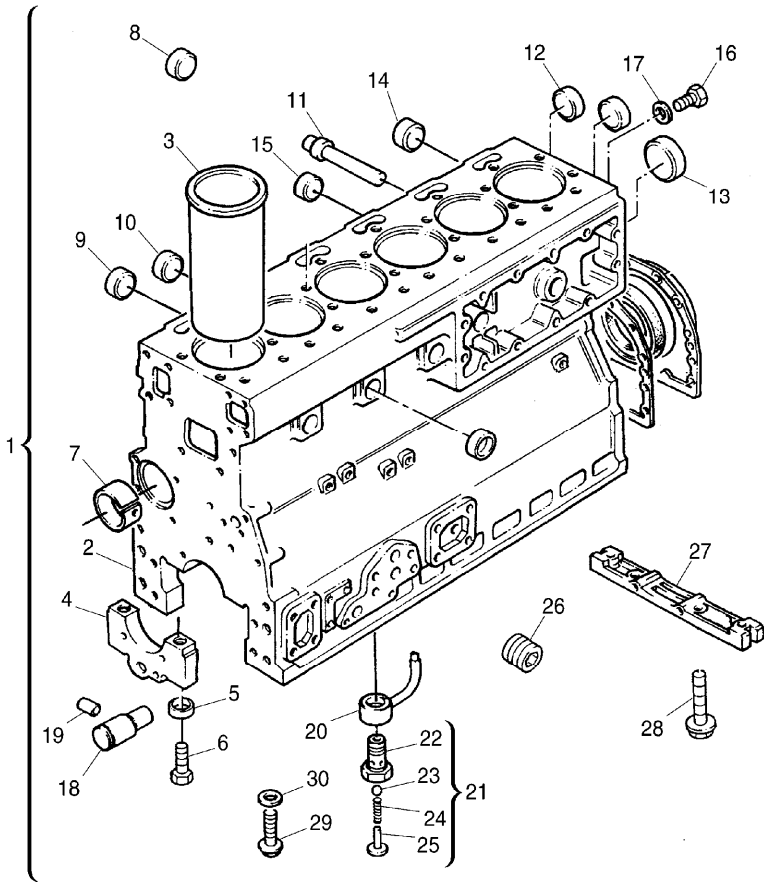
**A-05  
02**



A0502

Cylinder block

RP72\000021232.png



		Inglese	
25	!	21	1 Retainer
	➡	Ref.n.21	
26	3211A005	!	1
27	3627P043	!	1
28	2311D039	!	1
29	2182110	!	1
30	0920469	!	1
	●	376616X1(6)	

- ! This is a component of an assembly
- ➡ Not serviced, order
- ▲ Shim
- Replacement
- (X) Qty per tractors sold (aa.bbb.ccc.ddd) (aa) for 1,(bbb) 2-10 (ccc) 11-25 (ddd) 26-50
- T-A Replacement
- A Press fit
- B Slip fit
- D Alternative applies to 4 cylinder engine only
- E Refer to service bulletin no.163

Engine

G-Max (2008- ) - RP72 - 130

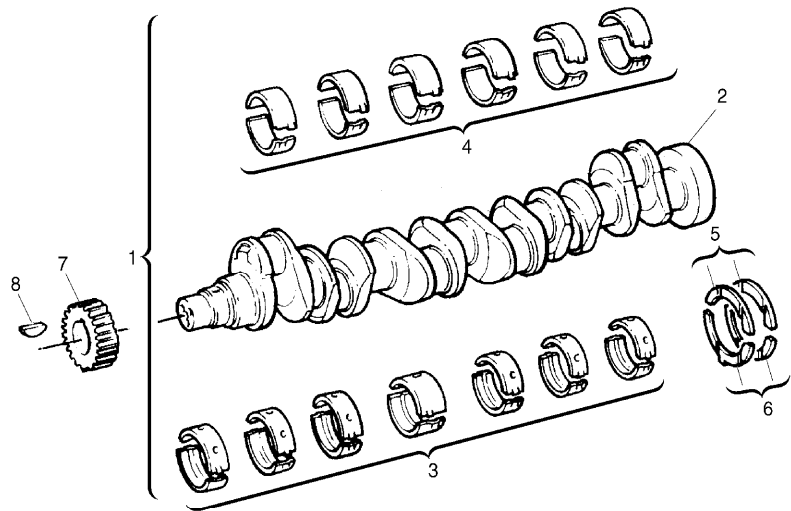
RP72\000020131.png

A-05  
03



A0503

Camshaft



Inglese

1	ZZ90229	T-A 20:0	1	Shaft
2		! 1	1	Shaft
		➡ Ref.n.1		
3	U5MB0007	! 1	1	Kit
		● U5MB0030(1)		
		A		
		T-A 20:0		
3	U5MB0007A	! 1	1	Kit
		⚡ - 0.010"		
		● U5MB0030A(1)		
		A		
		T-A 20:0		
3	U5MB0007B	! 1	1	Kit
		⚡ - 0.020"		
		● U5MB0030B(1)		
		A		
		T-A 20:0		
3	U5MB0007C	! 1	1	Kit
		⚡ - 0.030"		
		A		
		T-A 20:0		
4	U5ME0014	! 1	1	Kit
		● U5ME0035(1)		
		T-A 20:0		

Engine

G-Max (2008- ) - RP72 - 130

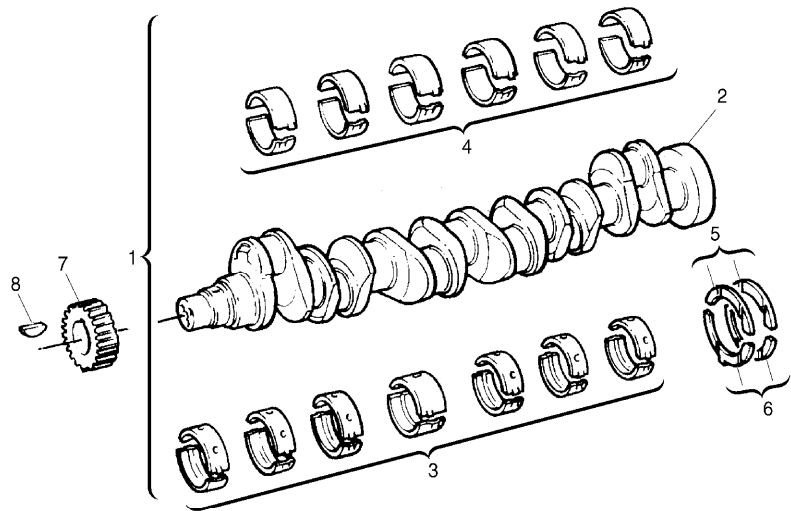
RP72\000020131.png

A-05  
03



A0503

Camshaft



Inglese

4	U5ME0014A	!	1	1 Kit
		✂	+ 0.010"	
		●	U5ME0035A(1)	
		T-A	20:0	
4	U5ME0014B	!	1	1 Kit
		✂	+ 0.020"	
		●	U5ME0035B(1)	
		T-A	20:0	
4	U5ME0014C	!	1	1 Kit
		✂	+ 0.030"	
		●	U5ME0035C(1)	
		T-A	20:0	
5	31137312	!	1	2 Ring
		✂	+ 0.007"	
5	31137551	!	1	2 Washer
		T-A	5:50	
6	31137322	!	1	2 Ring
		✂	+ 0.007"	
6	31137561	!	1	2 Washer
		T-A	5:50	
7	3117C061	T-A	6:0	1 Gear
8	0500012			1 Key
	!	This is a component of an assembly		
	▣	Not serviced, order		
	✂	Shim		
	●	Replacement		
	T-A	Replacement		

Engine

G-Max (2008- ) - RP72 - 130

RP72\000020131.png

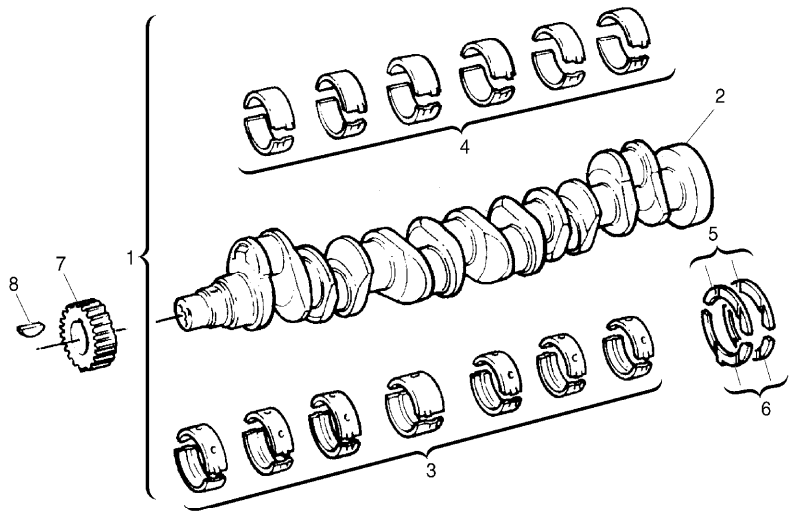
A-05  
03



A0503

Camshaft

A Ended



Engine

G-Max (2008- ) - RP72 - 130

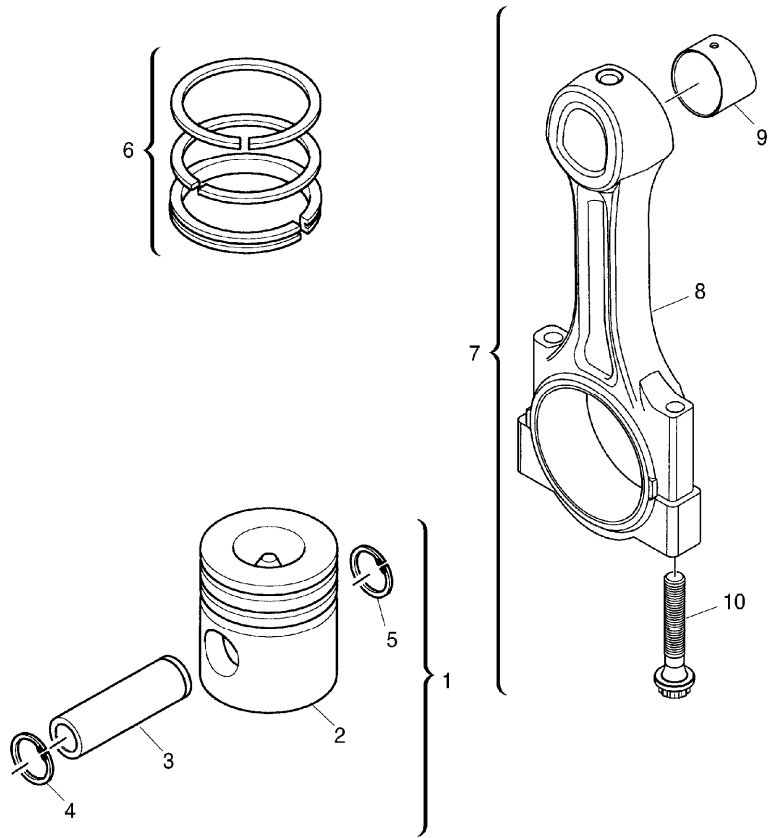
RP72\000021234.png

A-05  
04



A0504

Pistons and connecting rods



		Inglese	
1	U5LL0038	● U5LL0047(6) T-A 15:0	6 Piston
2		! 1	1 Piston
3		➡ Ref.n.1 ! 1	1 Pin
4	2721A029	! 1	1 Ring
5	2721A029	! 1	1 Ring
6	4181A026	(X) 3.6.12.1 T-A 14:50	6 Kit
7	4115C321	T-A 14:50	6 Kit
8		! 7 ➡ Ref.n.7	1 Conrod
9	3112A006	! 7 T-A 2:50	1 Bush
10	3212V003	! 7	2 Screw
!		This is a component of an assembly	
➡		Not serviced, order	
●		Replacement	
(X)		Qty per tractors sold (aa.bbb.ccc.ddd) (aa) for 1,(bbb) 2-10 (ccc) 11-25 (ddd) 26-50	
T-A		Replacement	

Engine

G-Max (2008- ) - RP72 - 130

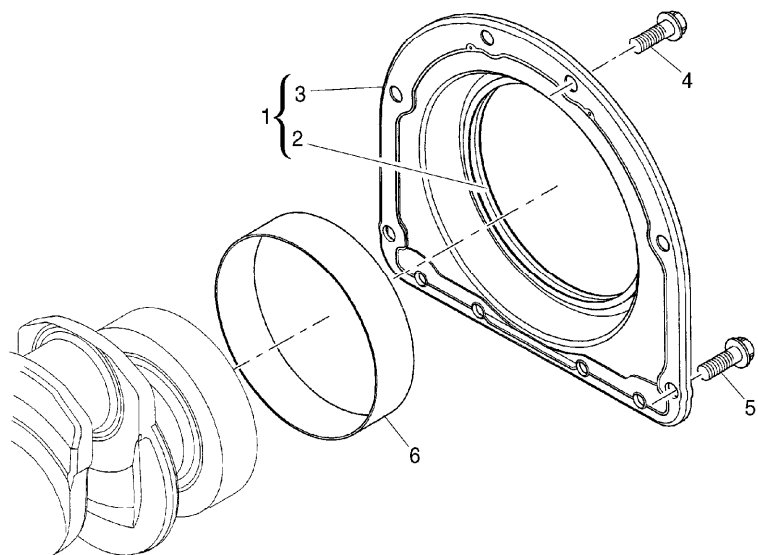
RP72\000020678.png

A-05  
05



A0505

End cover



				Inglese
1	2418F701	(X)	1.3.6.1	1 Seal
		T-A	7:0	
2		!	1	1 Seal
		➡	Ref.n.1	
3		!	1	1 Housing
		➡	Ref.n.1	
4	3211C002			6 Screw
5	3211C002			4 Screw
6	21826222	A		1 Sleeve
		T-A	7:0	
!	This is a component of an assembly			
➡	Not serviced, order			
(X)	Qty per tractors sold (aa.bbb.ccc.ddd) (aa) for 1,(bbb) 2-10 (ccc) 11-25 (ddd) 26-50			
T-A	Replacement			
A	Use with worn crankshaft only			

Engine

G-Max (2008- ) - RP72 - 130

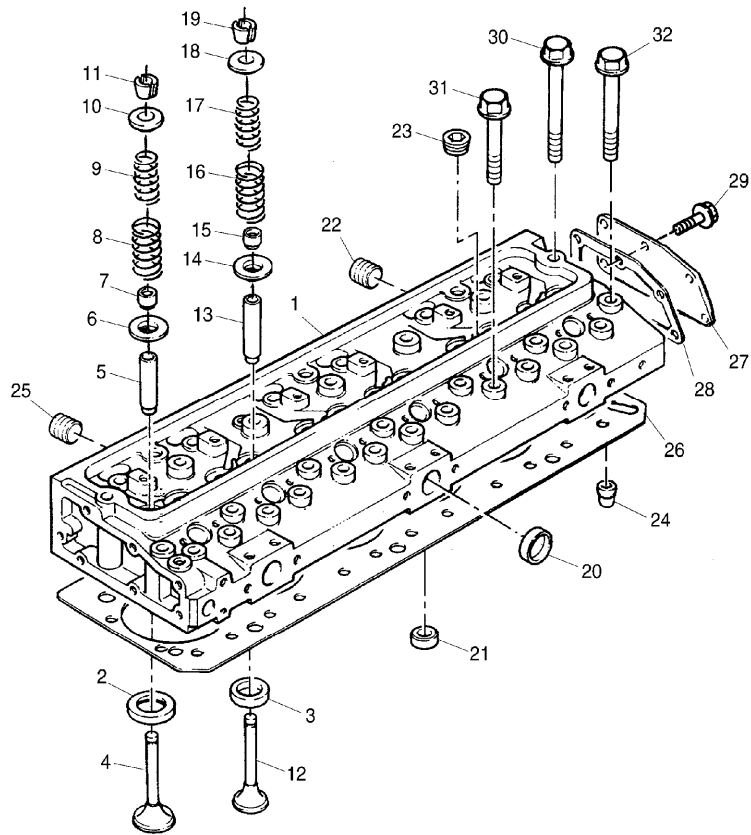
RP72\000021235.png

A-05  
06



A0506

Cylinder head



		Inglese	
1	ZZ80228	T-A 9:50 T-B 13:50	1 Kit
2	3324E002	! 1 ● 3324E003(6) T-A 10:75	6 Ring
3	3314A121	! 1 T-A 10:75	6 Ring
4	3142L072	! 1 T-A 9:75	6 Valve
5	3343F042	! 1 ● 3343F041(6) T-A 10:50	6 Guide
6	33415118	! 1 T-A 1:50	6 Washer
7	33817117	! 1 T-A 1:50	6 Seal
8	31745122	! 1 T-A 1:50	6 Spring
9	31744133	! 1 ● 6518765M1(1) T-A 1:50	6 Spring
10	33424107	! 1 T-A 1:50	6 Coperch.
11	33173108	! 1 A T-A 1:50	12 Cotter

Engine

G-Max (2008- ) - RP72 - 130

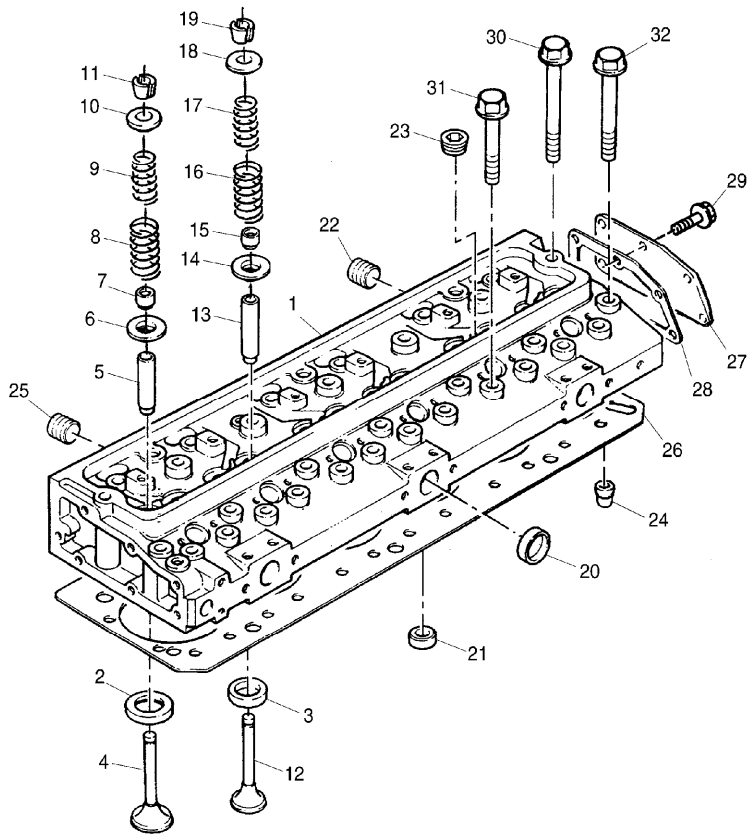
RP72\000021235.png

A-05  
06



A0506

Cylinder head



			Inglese
12	3142A051	!	6 Valve
		T-A	9:75
13	3343J022	!	6 Guide
		●	3343J021(6)
		T-A	10:50
14	33415118	!	6 Washer
		T-A	1:50
15	33817117	!	6 Seal
		T-A	1:50
16	31745122	!	6 Spring
		T-A	1:50
17	31744133	!	6 Spring
		●	6518765M1(1)
		T-A	1:50
18	33424107	!	6 Coperch.
		T-A	1:50
19	33173108	!	12 Cotter
		A	
		T-A	1:50
20	0650710	!	3 Plug
21	32417156	!	6 Plug
22	3212P002	!	1 Plug
		T-A	0:50
23	0650586	!	6 Plug
24	29990001	!	2 Dowel
		B	

Engine

G-Max (2008- ) - RP72 - 130

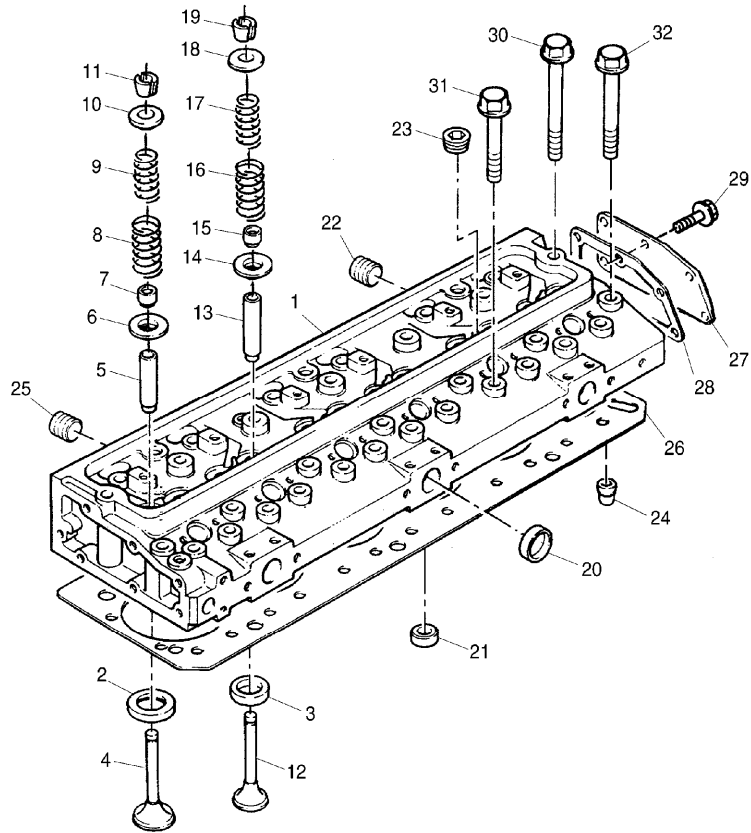
RP72\000021235.png

A-05  
06



A0506

Cylinder head



Inglese

25	2431154	!	1	2	Plug
26	3681H208	(X)	1.3.6.1	1	Gasket
		T-A	9:50		
27		◁▷	A-05 20 18	1	Cover
28		◁▷	A-05 20 20	1	Gasket
29		D		6	Screw
		C			
30	32166222			2	Screw
31	32166219			12	Screw
32	32166221			18	Screw

- ! This is a component of an assembly
- ◁▷ See page - reference number
- Replacement
- (X) Qty per tractors sold (aa.bbb.ccc.ddd) (aa) for 1,(bbb) 2-10 (ccc) 11-25 (ddd) 26-50
- T-A Replacement
- T-B Overhaul
- A Service in pairs
- B Locating dowels
- C To be advised
- D Assembly component parts may not apply to your application-refer to relevant option/accessory packs.

Engine

G-Max (2008- ) - RP72 - 130

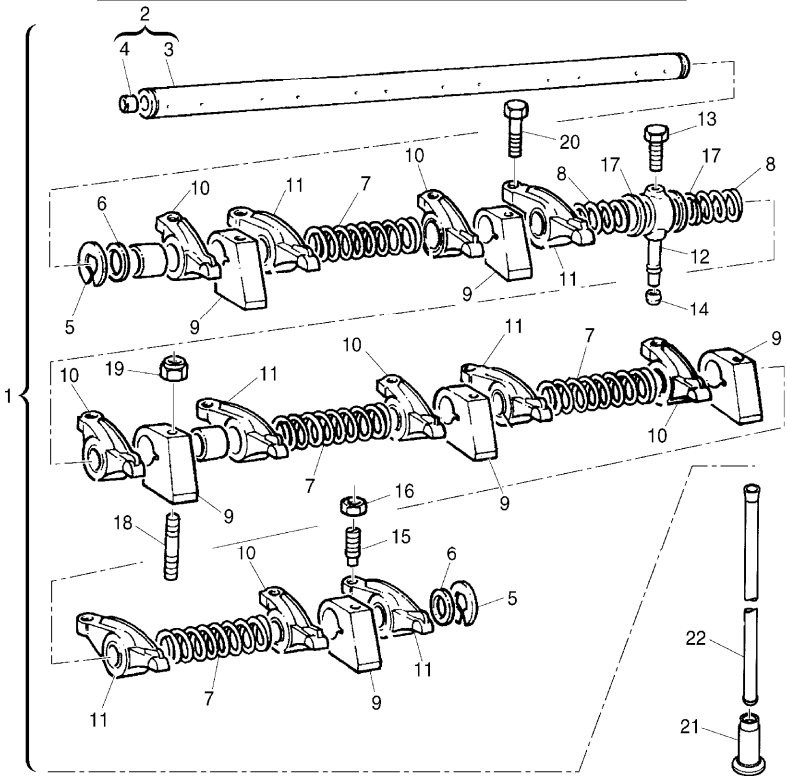
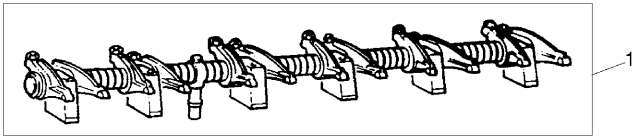
RP72\000020134.png

A-05  
07



A0507

Rocker shaft



		Inglese	
1	ZZ90057	T-A 1:75	1 Shaft
2	U7LR0003	! 1	1 Shaft
		T-A 1:75	
3		! 2	1 Shaft
		➡ Ref.n.2	
4	0650507	! 2	2 Plug
5	0170151	! 1	2 Ring
6	33117434	! 1	2 Lock washer
7	31744123	! 1	4 Spring
		T-A 1:75	
8	31743108	! 1	2 Spring
		T-A 1:75	
9	3818X901	! 1	6 Poppet
		T-A 2:25	
10	4115R305	! 1	6 Axle
		● 4115R505(6)	
		T-A 1:75	
11	4115R306	! 1	6 Rocker
		● 4115R506(6)	
		T-A 1:75	
12	3775E012	! 1	1 Union
		T-A 1:75	
13	2233022	! 1	1 Screw
14	33811113	! 1	1 Ring
		● 376525X1(1)	

Engine

G-Max (2008- ) - RP72 - 130

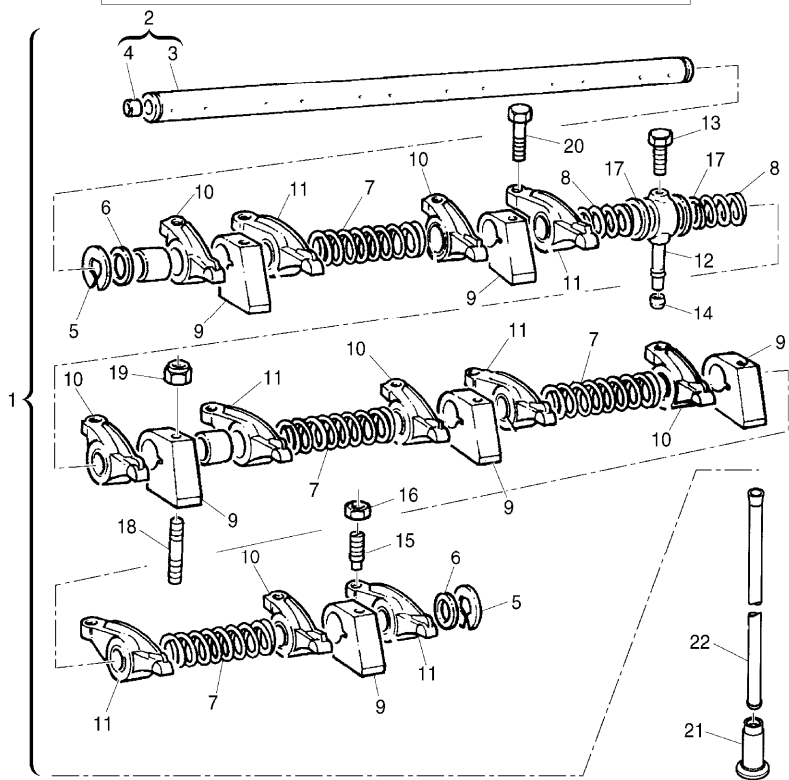
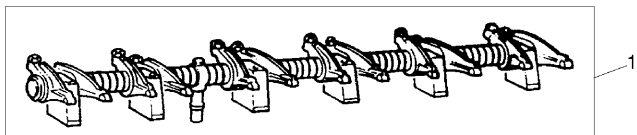
RP72\000020134.png

A-05  
07



A0507

Rocker shaft



		Inglese			
15	32114145	!	1	12	Screw
		T-A	1:50		
16	0576052	!	1	12	Nut
17	3311K015	!	1	2	Shim
		T-A	1:75		
18	2313H331	T-A	1:75	4	Stud
19	2318A605			4	Nut
20	2314J607			2	Screw
21	3142U031	●	3142U991(12)	12	Tappet
		T-A	16:0		
22	31434307	T-A	2:25	12	Rod

- ! This is a component of an assembly
- ▣ Not serviced, order
- Replacement
- T-A Replacement

Engine

G-Max (2008- ) - RP72 - 130

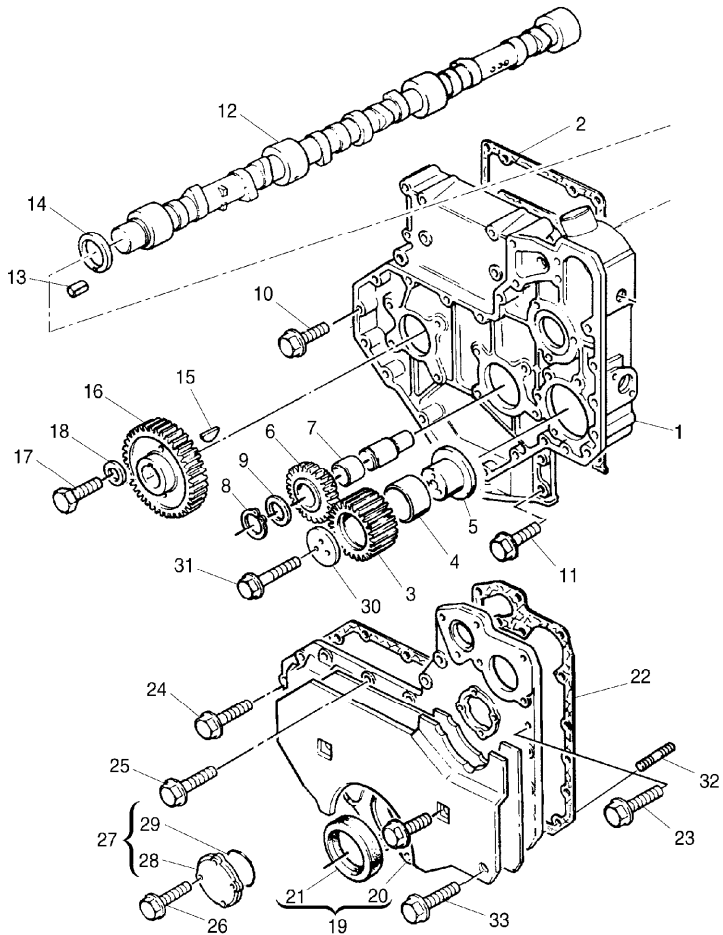
RP72\000021236.png

**A-05  
08**



A0508

Timing gear and camshaft



		Inglese	
1	3716C242	● 3716C522(1) T-A 7:75	1 Coperch.
2	21826405	● 21826412(1) T-A 7:75	1 Gasket
2	3681P009	● 21826412(1) T-A 7:75	1 Gasket
3	4111A013	T-A 6:0	1 Gear
4	0050345	! 3 T-A 6:0	2 Thimble
5	33426161	● 3311A054(1) T-A 6:0	1 Collar
6	4111A008	T-A 6:0	1 Gear
7	2511437	! 6 T-A 6:0	1 Bush
8	2722A206		1 Ring
9	33123125		1 Washer
10	2314H003		8 Screw
11	2314H004		4 Screw
12	31416307	● 4112K051(1) T-A 16:0	1 Shaft
13	2116053		1 Pin
14	33153121		1 Washer
15	0500012		1 Key
16	3117L023	T-A 6:0	1 Gear
17	2314J606		1 Screw

Engine

G-Max (2008- ) - RP72 - 130

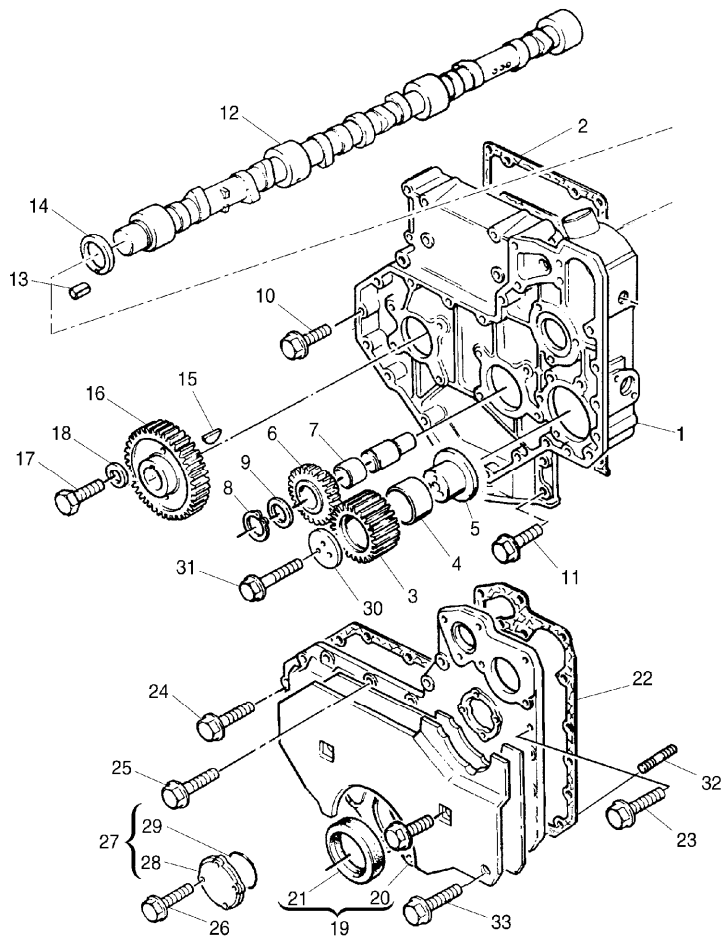
RP72\000021236.png

**A-05  
08**



A0508

Timing gear and camshaft



		Inglese
18	3321A003	1 Washer
19	4142A171	(X) 1.3.6.1 T-A 5:75 1 Ring
20		! 19 1 Ring
21	2418F436	➡ Ref.n.19 ! 19 1 Seal
		● 2418F437(1) (X) T-A 5:75
22	3681P019	● U5MK0641(1) (X) T-A 5:75 1 Gasket
23	2314H004	1 Screw
24	2314H005	6 Screw
25	2314H013	6 Screw
26	2314F036	4 Screw
27	4152A002	1 Coperch.
28		! 27 ➡ Ref.n.27 1 Cover
29	2415A093	! 27 T-A 1:25 1 Ring
30	3241A021	● 3272A033(1) 1 Plate
31	2314J011	1 Screw
32	2313M058	2 Stud
33	2318A603	2 Nut

! This is a component of an assembly

Engine

G-Max (2008- ) - RP72 - 130



RP72\000021236.png

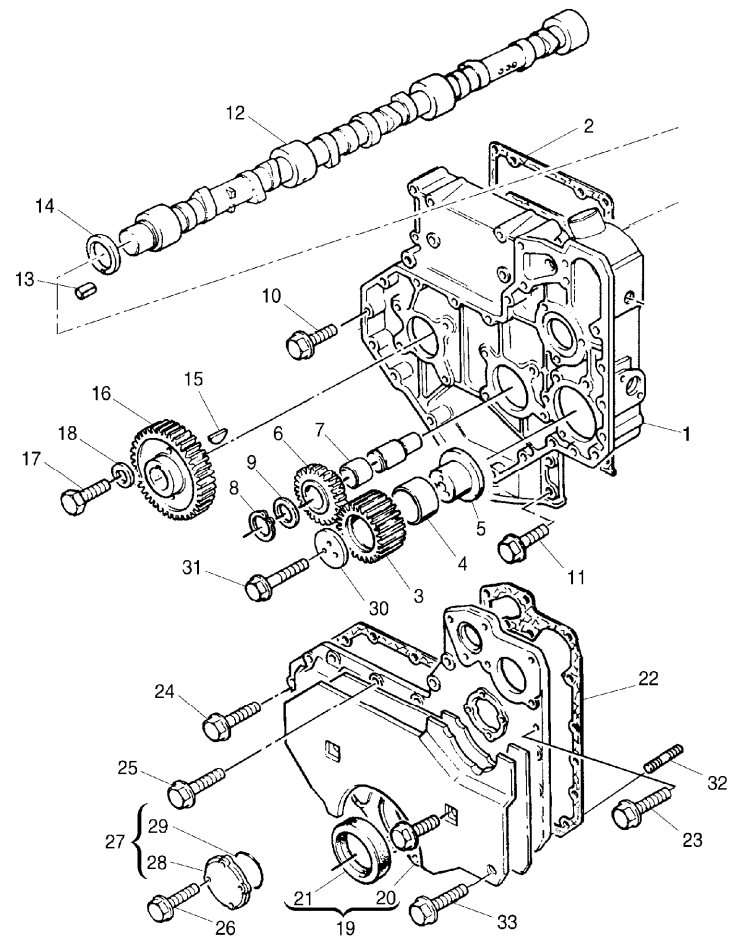
A-05  
08



A0508

Timing gear and camshaft

-  Not serviced, order
-  Replacement
- (X) Qty per tractors sold (aa.bbb.ccc.ddd) (aa) for 1,(bbb) 2-10 (ccc) 11-25 (ddd) 26-50
- T-A Replacement



Engine

G-Max (2008- ) - RP72 - 130

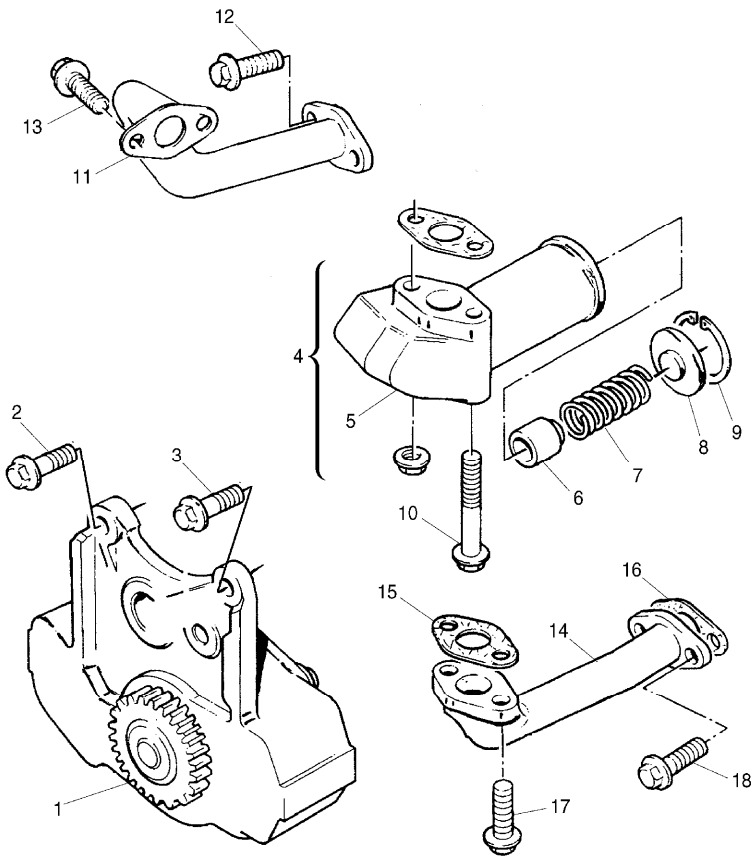
RP72\000020136.png

A-05  
09



A0509

Lubricating oil pump and delivery housing



				Inglese
1	4132F057	T-A	5:25	1 Pump
2	2314H004			2 Screw
3	2314H002			1 Screw
4	4138A034	T-A	5:25	1 Valve
5	!		4	1 Valve
		▶	Ref.n.4	
6	32712726	!	4	1 Piston
		T-A	5:25	
7	31744151	!	4	1 Spring
		T-A	5:25	
8	32712111	!	4	1 Cup
		T-A	5:25	
9	2721130	!	4	1 Ring
		T-A	5:25	
10	2314K161			2 Screw
11	3571C045	T-A	5:25	1 Pipe
12	2314H004			2 Screw
13	2314H004			2 Screw
14	3572V013	T-A	5:25	1 Pipe
15	36832143	T-A	5:25	1 Gasket
16	36831127	T-A	5:25	1 Gasket
17	2314F004			2 Screw
18	2311D038			2 Screw
!	This is a component of an assembly			
▶	Not serviced, order			
T-A	Replacement			

Engine

G-Max (2008- ) - RP72 - 130

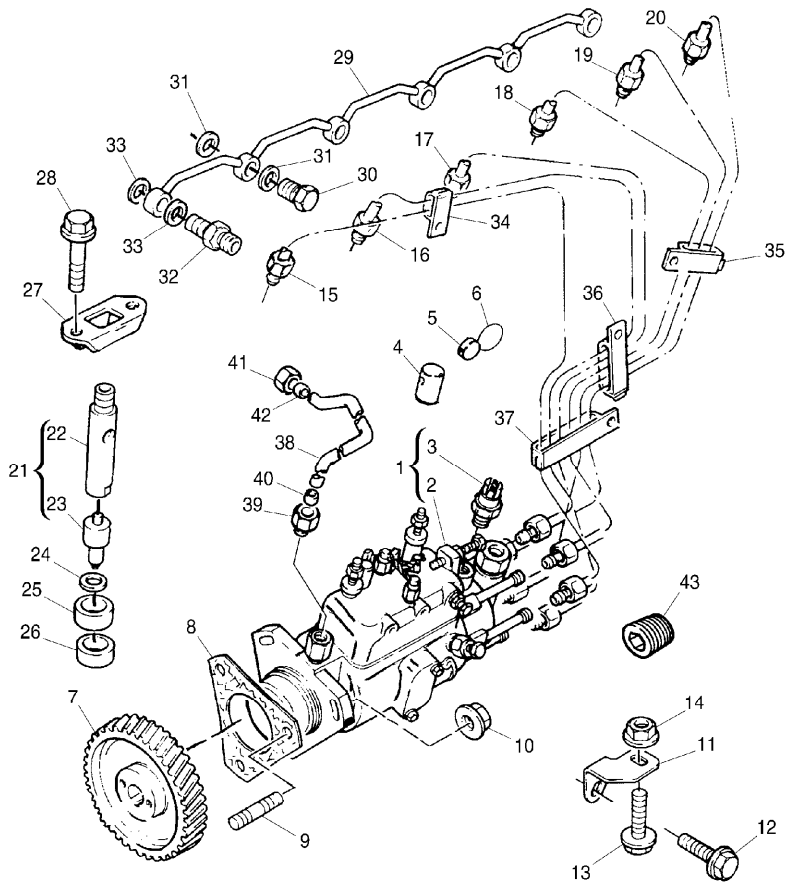
RP72\000021237.png

**A-05**  
**10**



A0510

Fuel injection equipment (diesel)



		Inglese
1	UFK3D665	U738861g A T-A 2:50
2		! 1 Ref.n.1
3	26420469	! 1 (X) 1.3.6.1 T-A 0:25
4	2648A110	
5	31718104	
6	31718105	
7	3117L052	T-A 5:0
8	33828108	● 3687H017(1) T-A 1:50
9	3211P004	● 2313m059
10	2318A603	
11	3645E008	
12	2314J002	
13	2314H003	
14	2318A603	
15	3522N021	T-A 0:75
16	3522N022	➔ U579766a T-A 0:75
17	3522N023	➔ U593766a T-A 0:75
1		Kit
1		Kit
1		Solenoid
1		Manicott
2		Sealer
2		Wire, retaining
1		Gear
1		Gasket
3		Stud
3		Nut
1		Support
1		Screw
1		Screw
1		Nut
1		Pipe
1		Pipe
1		Pipe

Engine

G-Max (2008- ) - RP72 - 130

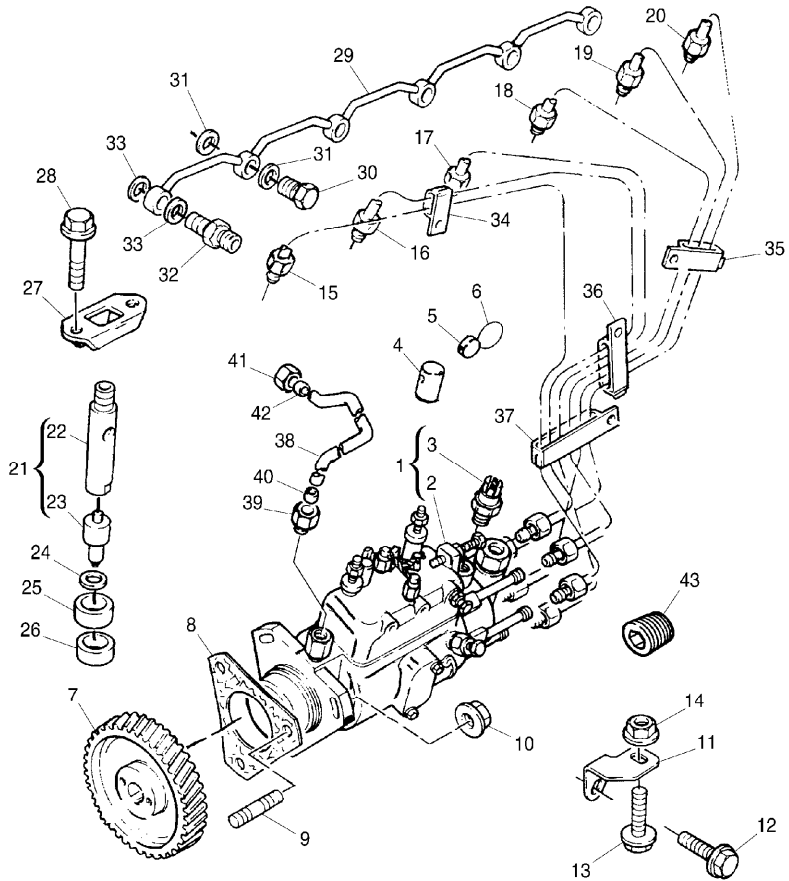
RP72\000021237.png

**A-05  
10**



A0510

Fuel injection equipment (diesel)



		Inglese	
18	3522N024	➔ U593766a T-A 0:75	1 Pipe
19	3522N025	➔ U593766a T-A 0:75	1 Pipe
20	3522N026	➔ U593766a T-A 0:75	1 Pipe
21	2645A031	T-A 0:50	6 Atomiser
22	2645A304	! 21 T-A 0:50	1 Support
23	2645A616	! 21 (X) 6.12.18.2 T-A 0:50	1 Atomiser
24	0921173		6 Washer
25	33813129		6 Spacer
26	33813131	● 3311A042(6) T-A 0:75	6 Seal
27	3662K002	● 3662k001 ● 3666v002	6 Clamp
28	2314H006		12 Screw
29	3558X021	T-A 0:50	1 Pipe
30	3218R039	➔ 01/06/2003	4 Bolt
31	2411D007	➔ 01/06/2003	8 Washer
32	3355E005	➔ 01/06/2003	2 Connection
33	2411D007	➔ 01/06/2003	4 Washer
34	2646E006	➔ U593766a	1 Clip

Engine

G-Max (2008- ) - RP72 - 130

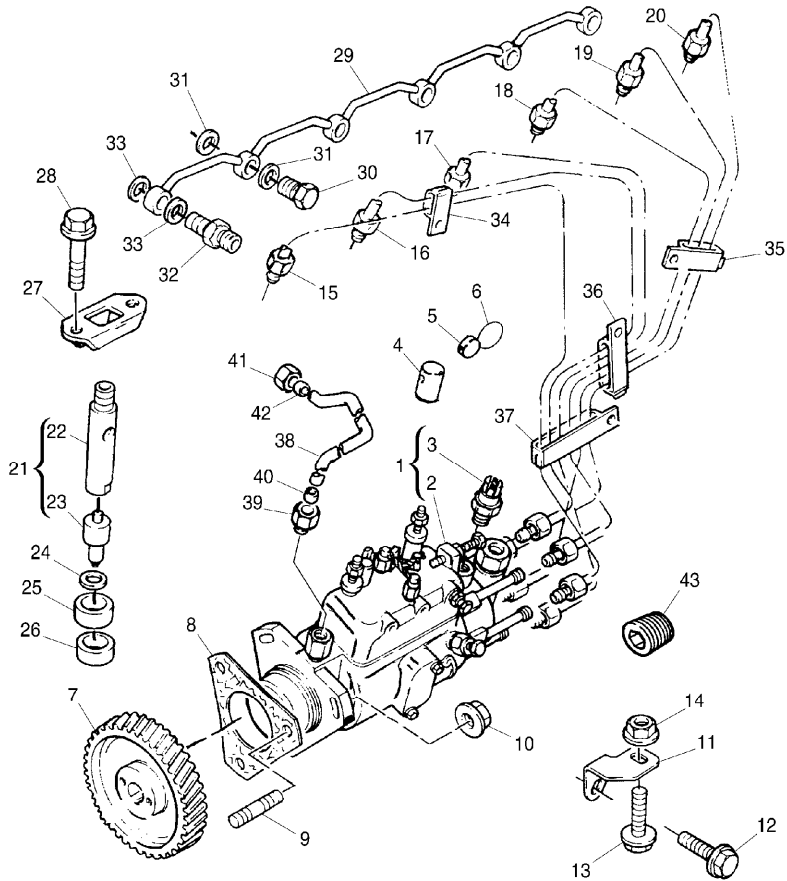
RP72\000021237.png

A-05  
10



A0510

Fuel injection equipment (diesel)



Inglese

35	2646E007	➔	U593766a	1	Clip
36	2646E009	➔	U593766a	1	Clip
37	2646E009	➔	U593766a	1	Clip
38	4121C021	●	4121c018	1	Pipe
			T-A 0:50		
39	3353D004	!	38	1	Nut
40	33811112	!	38	1	Spinner
41	33225412	●	376521X1(1)	1	Nut
42	33811112			1	Spinner
43	2431131	●	0650594(1)	1	Plug

B

- ! This is a component of an assembly
- ➔ From serial or engine number
- Repairs and replaces
- ➔ Not serviced, order
- Replacement
- (X) Qty per tractors sold (aa.bbb.ccc.ddd) (aa) for 1,(bbb) 2-10 (ccc) 11-25 (ddd) 26-50
- T-A Replacement
- A For breakdown details see following pages
- B Locates in induction manifold

Engine

G-Max (2008- ) - RP72 - 130

RP72\000020138.png

**A-05**  
**11**



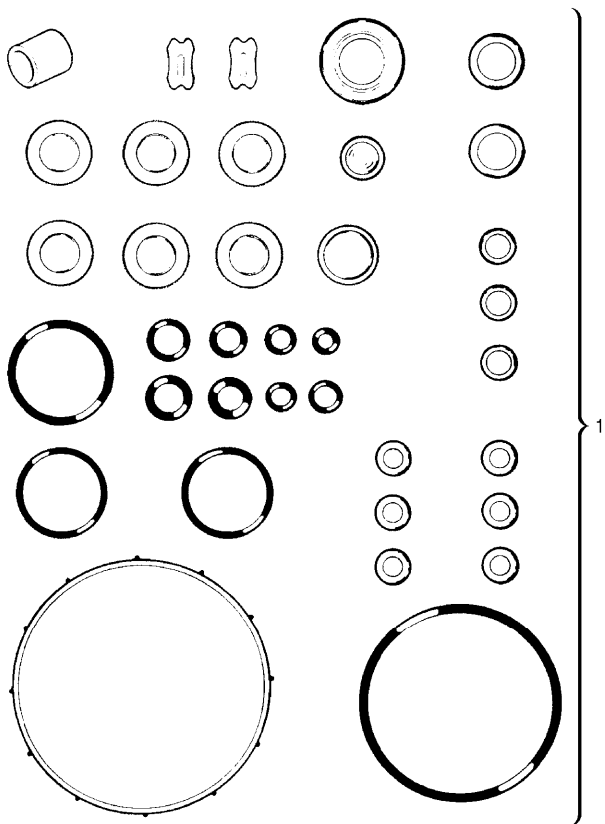
A0511

Kit gasket

Inglese

1 U5MK0159

999 Kit



Engine

G-Max (2008- ) - RP72 - 130

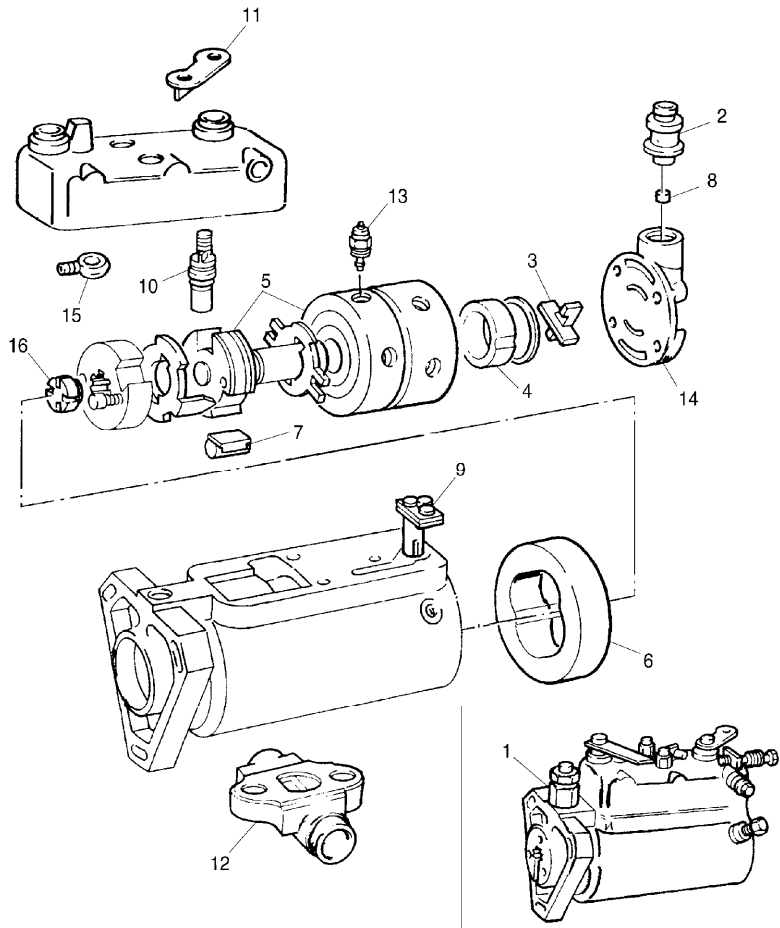
RP72\000021238.png

**A-05  
12**



A0512

Injection pump assy



		Inglese	
1	2643D615	● UFK3D665(1)	1 Pump
		T-A 2:50	
		T-B 3:50	
2	26431334	! 1	1 Sleeve
3	0997231	! 1	1 Blade cutter
4	26430793	! 1	1 Liner
5	26431836	! 1	1 Rotor
6	26431837	! 1	1 Ring
7	26430277	! 1	1 Ball
8	26430278	! 1	1 Sleeve
9	26431819	! 1	1 Valve
		A	
9	26431820	! 1	1 Valve
		A	
10	26431730	! 1	1 Shaft
11	26431708	! 1	1 Nameplate
12	26430663	! 1	1 Housing
13	28730179	! 1	1 Solenoid
		● 26420469(1), 3161C012(1), 4181V013(1)	
14	26431838	! 1	1 Disc
15	26430714	! 1	1 Connector
16	26431867	! 1	1 Rotor
		● 0997230	

! This is a component of an assembly

Engine

G-Max (2008- ) - RP72 - 130

RP72\000021238.png

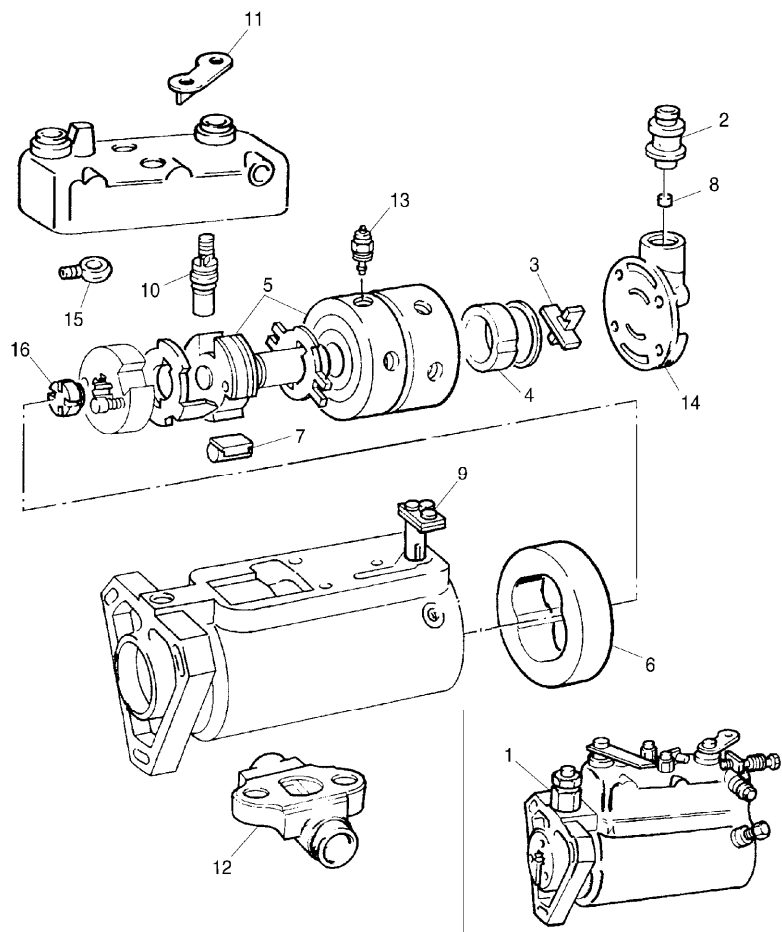
A-05  
12



A0512

Injection pump assy

- Repairs and replaces
- Replacement
- T-A Replacement
- T-B Overhaul
- A Request engine specifications before ordering



Engine

G-Max (2008- ) - RP72 - 130

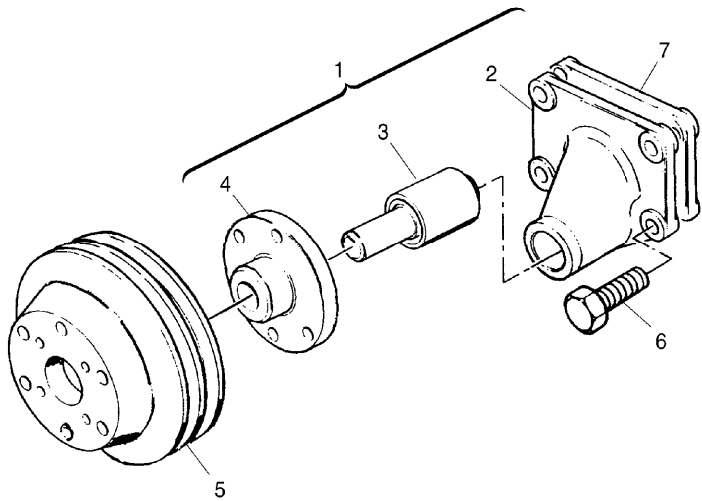
RP72\000021239.png

A-05  
13



A0513

Fan-type pulley



				Inglese
1	4113H083	T-A	1:75	1 Housing
2		!	1	1 Housing
		➡	Ref.n.1	
3		!	1	1 Bearing
		➡	Ref.n.1	
4		!	1	1 Hub
		➡	Ref.n.1	
5	3115C113	T-A	1:50	1 Pulley
6	2314J018			4 Screw
7	3612H004			1 Plate
!	This is a component of an assembly			
➡	Not serviced, order			
T-A	Replacement			



**Suggest:**

**For more complete manuals. Please go to the home page.**

**<https://www.ebooklibonline.com>**

**If the above button click is invalid. Please download this document first, and then click the above link to download the complete manual.**

**Thank you so much for reading**

Engine

G-Max (2008- ) - RP72 - 130

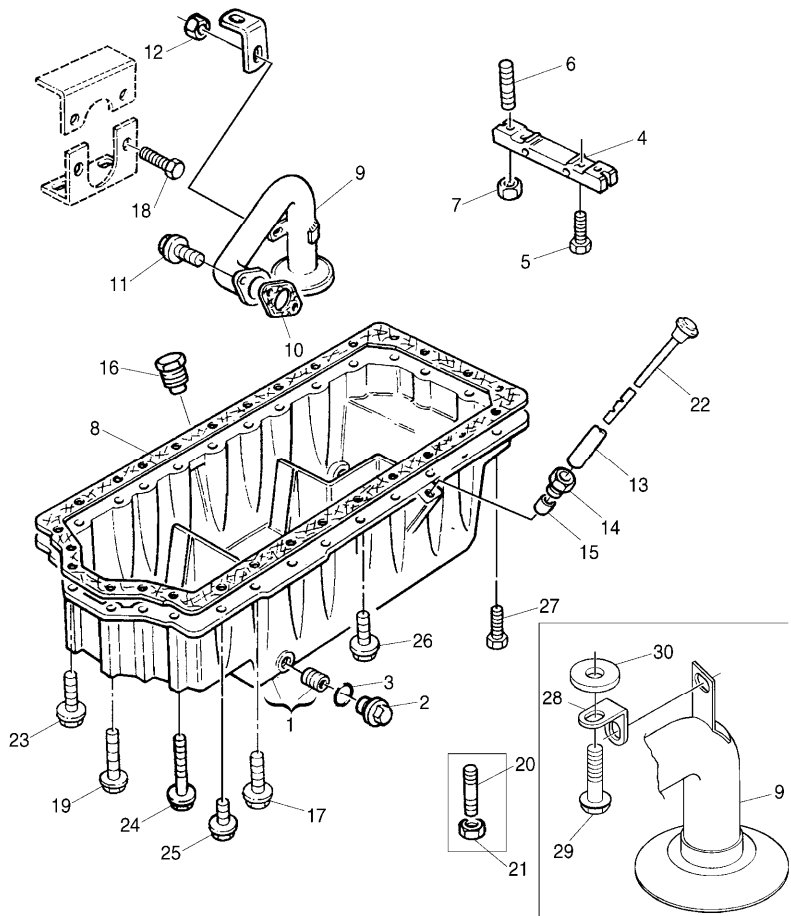
RP72\000020141.png

**A-05  
14**



A0514

Lubricating oil sump



- |    |          |     |                    |
|----|----------|-----|--------------------|
| 1  | 3717P174 | T-A | 5:0                |
| 2  | 32186405 |     |                    |
| 3  | 2415715  |     |                    |
| 4  | 3627P043 | ➔   | U764752h           |
| 5  | 2311D039 |     |                    |
| 6  | 3211P005 |     |                    |
| 7  | 2318A603 |     |                    |
| 8  | 3681M007 | (X) | 1.3.5.1<br>T-A 5:0 |
| 9  | 3575K007 | T-A | 5:25               |
| 10 | 3683H005 | T-A | 5:25               |
| 11 | 2314H004 |     |                    |
| 12 | 2318A603 |     |                    |
| 13 | 3577A125 | T-A | 0:25               |
| 14 | 3353D005 | !   | 13                 |
| 15 | 33812116 |     |                    |
| 16 | 2431A016 |     |                    |
| 17 | 2314H019 |     |                    |
| 18 | 2314H002 |     |                    |
| 19 | 2314H019 |     |                    |
| 20 | 3211P005 |     |                    |
| 21 | 2318A603 |     |                    |
| 22 | 3178C079 | T-A | 0:25               |
| 23 | 2314H008 |     |                    |

**Inglese**

- 1 Pan
- 2 Plug
- 2 Ring
- 1 Crosspiece
- 2 Screw
- 2 Stud
- 2 Nut
- 1 Gasket
- 1 Pipe
- 1 Gasket
- 2 Screw
- 1 Nut
- 1 Pipe
- 1 Nut
- 1 Olive
- 1 Plug
- 2 Screw
- 1 Screw
- 4 Screw
- 2 Stud
- 2 Nut
- 1 Dipstick
- 2 Screw

Engine

G-Max (2008- ) - RP72 - 130

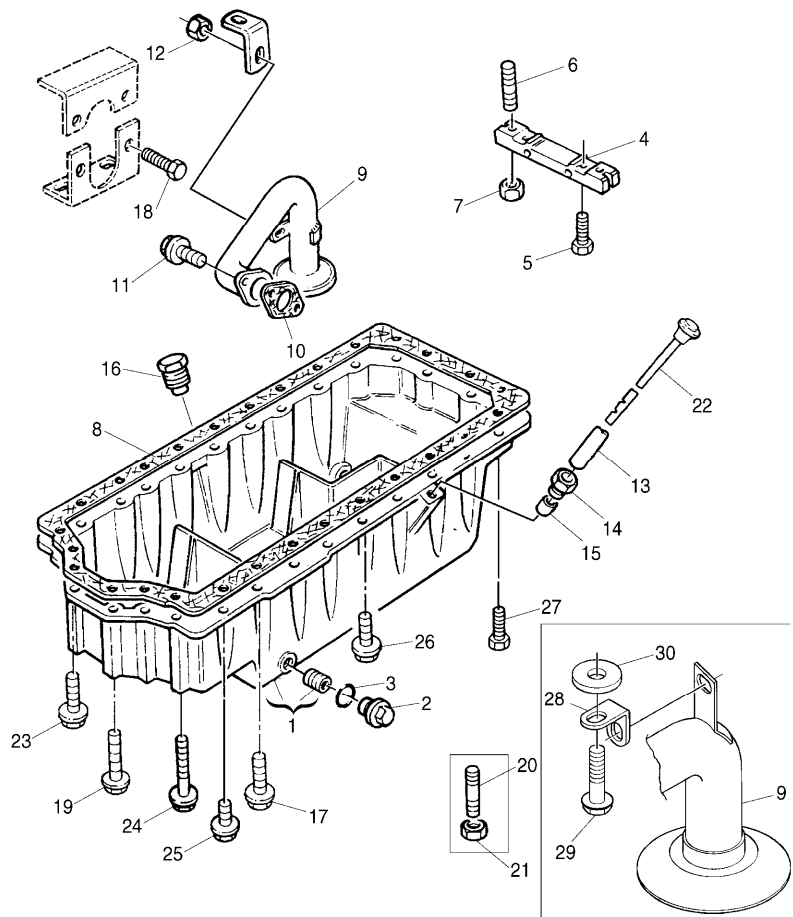
RP72\000020141.png

A-05  
14



A0514

Lubricating oil sump



Inglese

- 24 2314H007 1 Screw
- 25 2314H012 1 Screw
- 26 2314H008 12 Screw
- 27 2314H013 2 Screw
- 28 3641A005 1 Support
- 29 2314H003 1 Screw
- 30 0920433 1 Spacer

! This is a component of an assembly

➔ From serial or engine number

(X) Qty per tractors sold (aa.bbb.ccc.ddd) (aa) for 1,(bbb) 2-10 (ccc) 11-25 (ddd) 26-50

T-A Replacement

**<https://www.ebooklibonline.com>**

Hello dear friend!

Thank you very much for reading.

Enter the link into your browser.

The full manual is available for immediate download.

**<https://www.ebooklibonline.com>**