

Engine

G-Max (2008-) - RP72 - 115

RP72\000020160.png

A-05
01



A0501

Engine assembly - perkins 1006.6 (blue)

Inglese

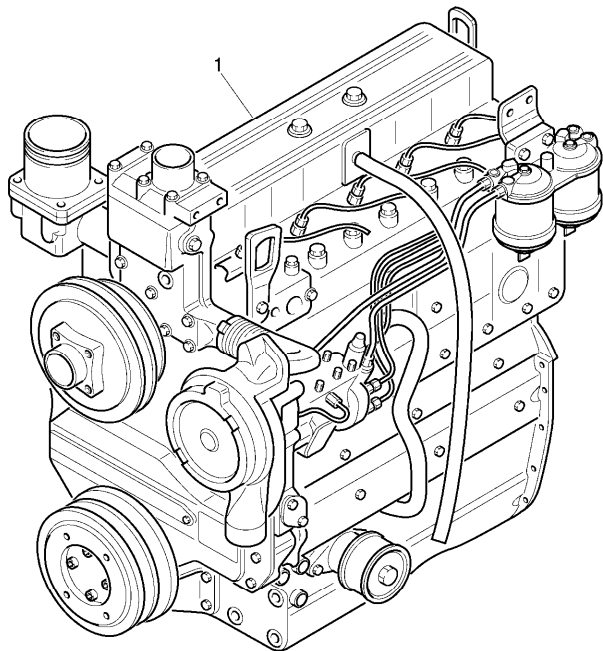
Engine

1 3659433M91 T-A 13:50

T-B 24:0

T-A Replacement

T-B Overhaul



Engine

G-Max (2008-) - RP72 - 115

RP72\000020129.png

A-05
02

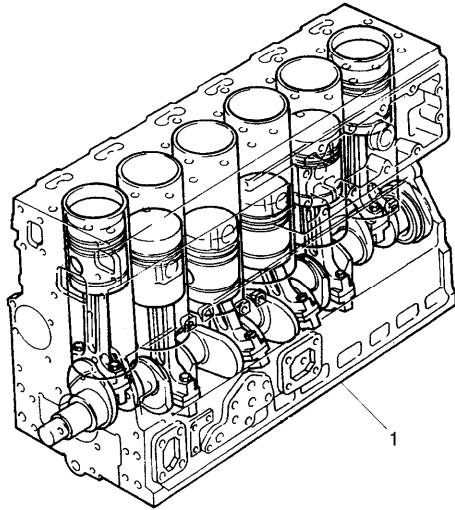


A0502

Short engine

1 YA39854 T-A 24:0
T-A Replacement

Inglese
Short engine



Engine

G-Max (2008-) - RP72 - 115

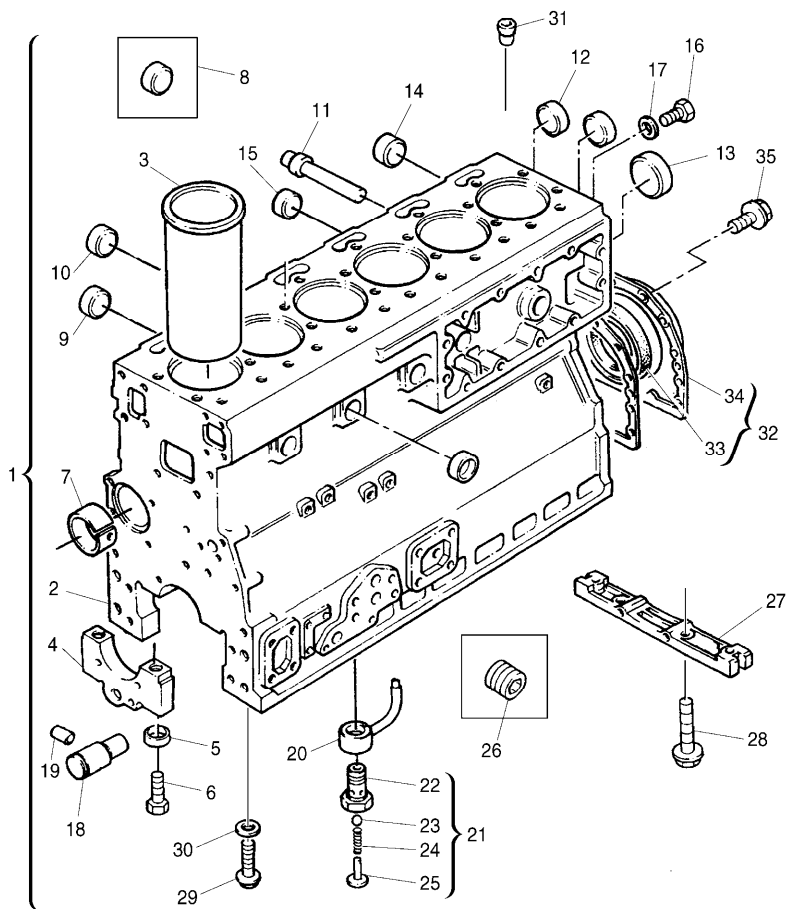
RP72\000020130.png

A-05
03



A0503

Cylinder block



		Inglese	
1	ZZ50295	T-A 24:0	1 Cylinder block
2		! 1	1 Cylinder block
		➡ Ref.n.1	
3	3135X041	↘ 3135x042	6 Liner
		↘ 3135x045	
		! 1	
		A	
		(X) 3.6.12.2	
		T-A 16:0	
3	3135X042	↘ 3135x041	6 Liner
		↘ 3135x045	
		! 1	
		C	
		T-A 16:0	
3	3135X045	↘ 3135x041	6 Liner
		↘ 3135x042	
		! 1	
		T-A 16:0	
4		! 1	1 Cover
		➡ Ref.n.1	
5	33142111	! 1	14 Manicott
6	32166329	! 1	14 Screw
7	31134165	! 1	1 Bush
		T-A 16:0	
8	32418122	! 1	5 Plug
		T-A 0:50	

<https://www.ebooklibonline.com>

Hello dear friend!

Thank you very much for reading.

Enter the link into your browser.

The full manual is available for immediate download.

<https://www.ebooklibonline.com>

Engine

G-Max (2008-) - RP72 - 115

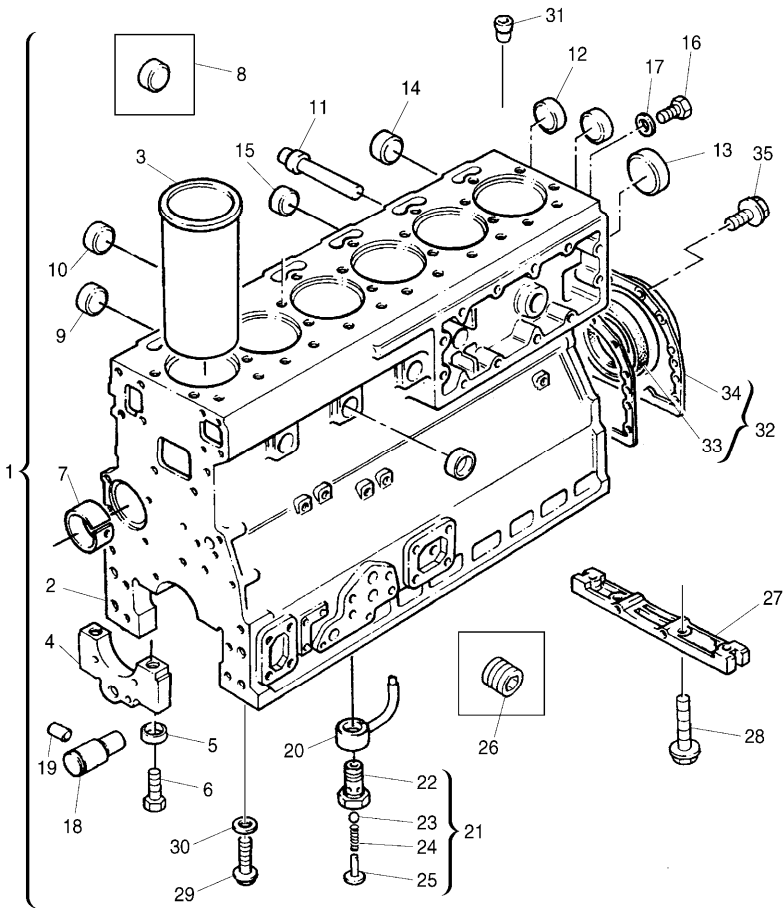
RP72\000020130.png

A-05
03



A0503

Cylinder block



				Inglese
9	32416119	!	1	1 Plug
10	32417134	!	1	1 Plug
11	2485A204	!	1	1 Plug
		●	2485A304(1)	
12	32418122	!	1	3 Plug
13	32418122	!	1	1 Plug
14	0650710	!	1	3 Plug
15	32416118	!	1	6 Plug
16	32168212	!	1	1 Plug
		●	0650582(1)	
17	2415D108	!	1	1 Washer
18	3271H004	!	1	1 Pin
19	2116087	!	1	1 Pin
20	3861A027	!	1	6 Jet
21	4138A017	!	1	6 Valve
		T-A	6:0	
22		!	21	1 Valve
		➡	Ref.n.21	
23		!	21	1 Valve
		➡	Ref.n.21	
24		!	21	1 Valve
		➡	Ref.n.21	
25		!	21	1 Valve
		➡	Ref.n.21	
26	3211A005	!	1	2 Plug

Engine

G-Max (2008-) - RP72 - 115

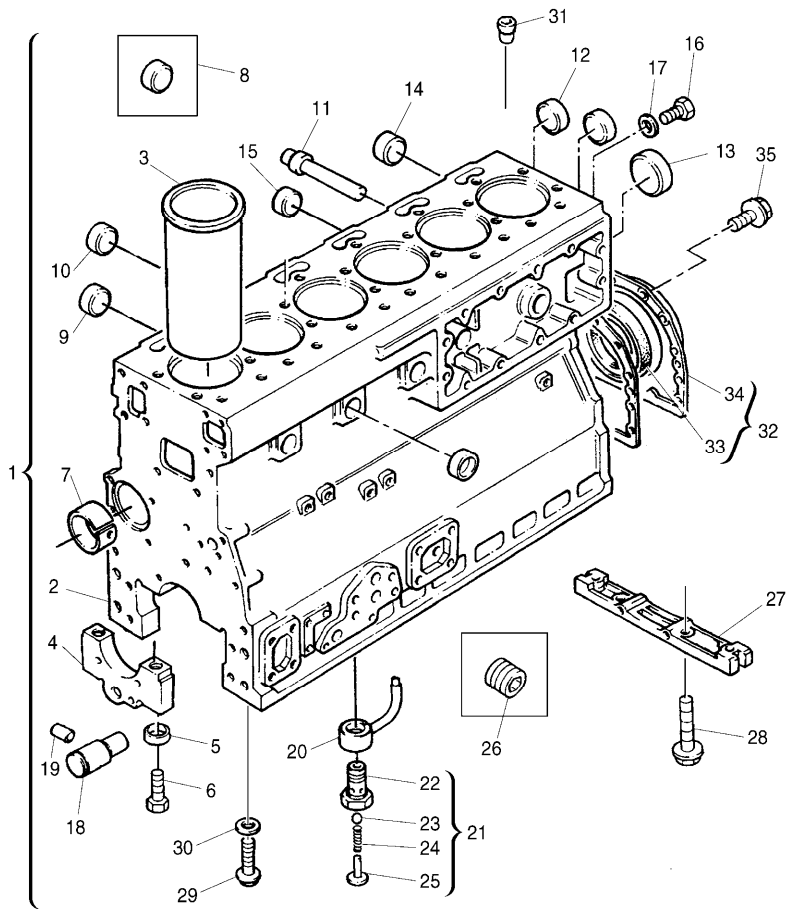
RP72\000020130.png

A-05
03



A0503

Cylinder block



			Inglese
27	3627P023	!	1 Crosspiece
		●	3627P041(1)
28	2311D039	!	2 Screw
29	2182110	!	6 Screw
30	0920469	!	6 Spacer
		●	376616X1(6)
31	29990001	!	2 Dowel
		B	
32	2418F701	!	1 Seal
	(X)	1.3.6.1	
	T-A	7:0	
33		!	32 Seal
		➡	Ref.n.32
34		!	32 Seal
		➡	Ref.n.32
35	3211C002	!	10 Screw
!	This is a component of an assembly		
⚙	Alternative		
➡	Not serviced, order		
●	Replacement		
(X)	Qty per tractors sold (aa.bbb.ccc.ddd) (aa) for 1,(bbb) 2-10 (ccc) 11-25 (ddd) 26-50		
T-A	Replacement		
A	Press fit		
B	Locating dowels		
C	Slip fit		

Engine

G-Max (2008-) - RP72 - 115

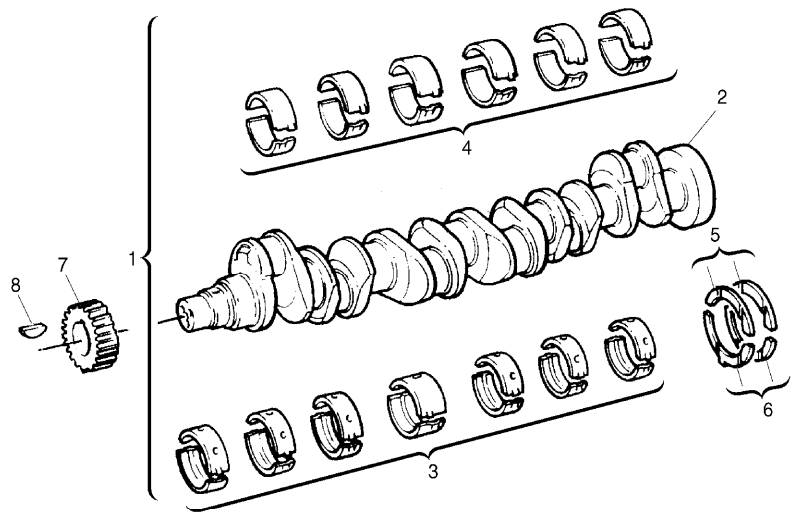
RP72\000020131.png

A-05
04



A0504

Camshaft



		Inglese	
1	ZZ90196	● ZZ90229(1)	1 Kit
		T-A 20:0	
2		! 1	1 Kit
		▢ Ref.n.1	
3	U5MB0007	! 1	1 Kit
		└ U5mb0007a	
		└ U5mb0007b	
		└ U5mb0007c	
		● U5MB0030(1)	
		A	
		T-A 20:0	
3	U5MB0007A	! 1	1 Kit
		⚡ (-)0.010"	
		└ U5mb0007	
		└ U5mb0007b	
		└ U5mb0007c	
		● U5MB0030A(1)	
		A	
		T-A 20:0	

Engine

G-Max (2008-) - RP72 - 115

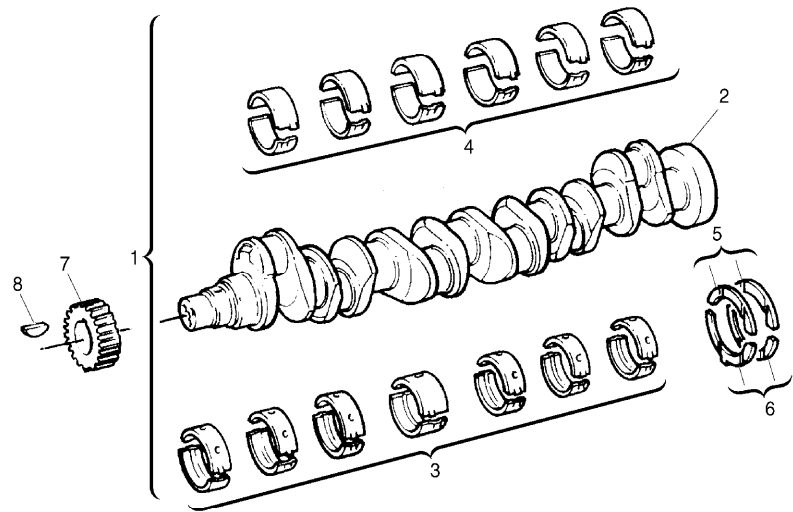
RP72\000020131.png

A-05
04



A0504

Camshaft



Inglese

3	U5MB0007B	!	1	1 Kit
		⚡	(-)0.020"	
		⚡	U5mb0007	
		⚡	U5mb0007a	
		⚡	U5mb007c	
		●	U5MB0030B(1)	
		A		
		T-A	20:0	
3	U5MB0007C	!	1	1 Kit
		⚡	(-)0.030"	
		⚡	U5mb0007	
		⚡	U5mb0007a	
		⚡	U5mb0007b	
		A		
		T-A	20:0	
4	85043	!	1	1 Kit
		A		
		(X)	1.3.5.1	
		T-A	7:0	
5	31137312	!	1	1 Ring
		⚡	(+)0.007"	
		⚡	31137551	
		T-A	5:50	
5	31137551	!	1	1 Washer
		⚡	31137312	
		T-A	5:50	

Engine

G-Max (2008-) - RP72 - 115

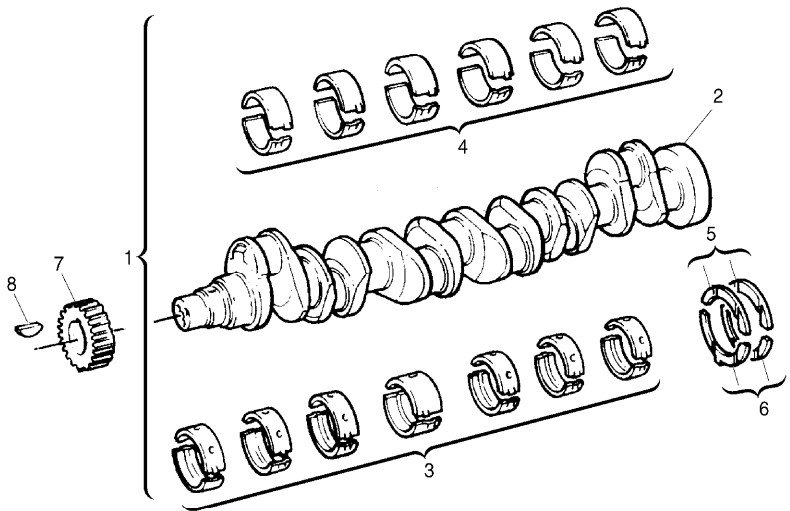
RP72\000020131.png

A-05
04



A0504

Camshaft



		Inglese		
6	31137322	!	1	1 Ring
		↖	31137561	
		⚡	(+)0.007"	
		T-A	5:50	
6	31137561	!	1	1 Washer
		↖	31137322	
		T-A	5:50	
7	3117C061	T-A	6:0	1 Gear
8	0500012	T-A	6:0	1 Key

- ! This is a component of an assembly
- ↖ Alternative
- ⚡ Not serviced, order
- ⚡ Shim
- Replacement
- (X) Qty per tractors sold (aa.bbb.ccc.ddd) (aa) for 1,(bbb) 2-10 (ccc) 11-25 (ddd) 26-50
- T-A Replacement
- A Ended

Engine

G-Max (2008-) - RP72 - 115

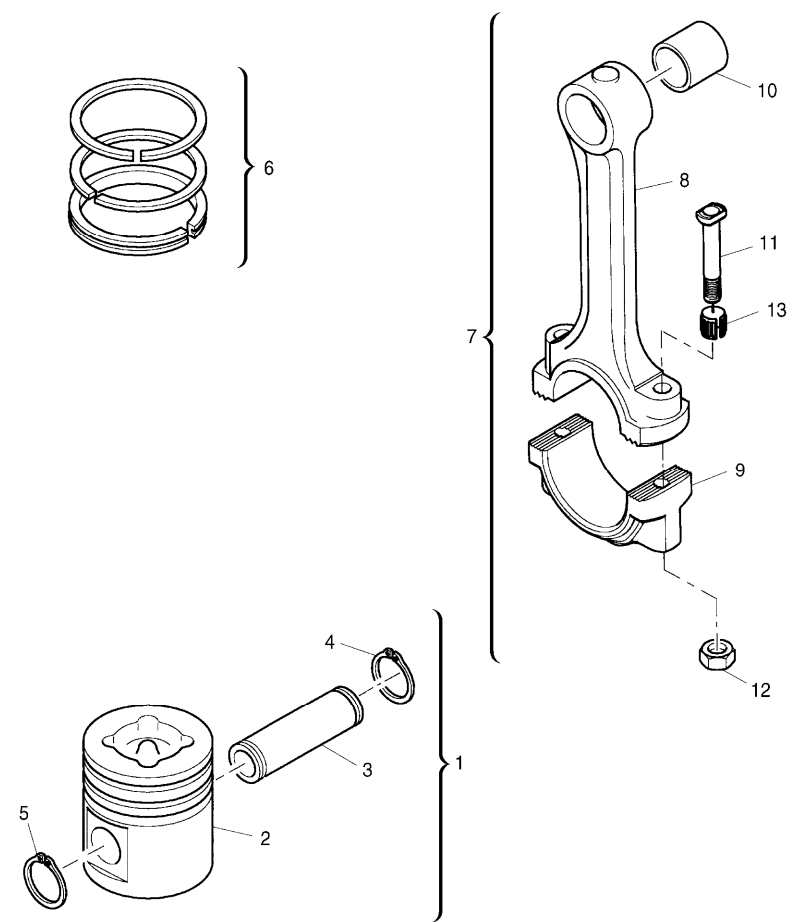
RP72\000020132.png

A-05
05



A0505

Pistons and connecting rods



		Inglese	
1	U5LL0021	● U5LL0048(6) T-A 15:0	6 Piston
2		! 1	1 Piston
3		➡ Ref.n.1	1 Pin
4	0170002	! 1	1 Ring
5	0170002	! 1	1 Ring
6	4181A041	(X) 1.3.5.1 T-A 14:50	6 Kit
7	ZZ90009	T-A 14:50	6 Conrod
8		! 7	1 Conrod
9		➡ Ref.n.7	1 Conrod
10	31134123	! 7 T-A 2:50	1 Thimble
11	32762145	! 7	2 Screw
12	33221328	! 7	2 Nut
13	2135A001	! 7	2 Thimble
!		This is a component of an assembly	
➡		Not serviced, order	
●		Replacement	
(X)		Qty per tractors sold (aa.bbb.ccc.ddd) (aa) for 1,(bbb) 2-10 (ccc) 11-25 (ddd) 26-50	
T-A		Replacement	

Engine

G-Max (2008-) - RP72 - 115

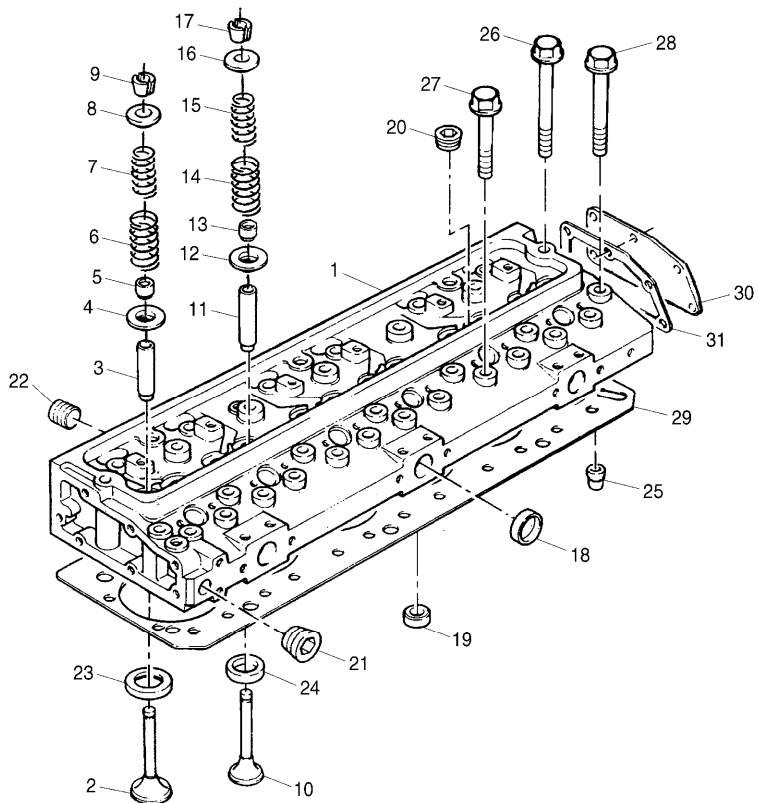
A-05
06



A0506

Cylinder head

RP72\000020133.png



		Inglese	
1	ZZ80225	T-A 9:50	1 Cylinder head
		T-B 13:50	
2	3142L051	! 1	6 Valve
		T-A 9:75	
3	3343F041	! 1	6 Guide
		T-A 10:50	
4	33415118	! 1	6 Washer
		T-A 1:50	
5	33817117	! 1	6 Seal
		T-A 1:50	
6	31745122	! 1	6 Spring
		T-A 1:50	
7	31744133	! 1	6 Spring
		● 6518765M1(1)	
		T-A 1:50	
8	33424107	! 1	6 Coperch.
		T-A 1:50	
9	33173108	! 1	12 Cotter
		A	
		T-A 1:50	
10	3142A051	! 1	6 Valve
		T-A 9:75	
11	3343J021	! 1	6 Guide
		T-A 10:50	
12	33415118	! 1	6 Washer
		T-A 1:50	

Engine

G-Max (2008-) - RP72 - 115

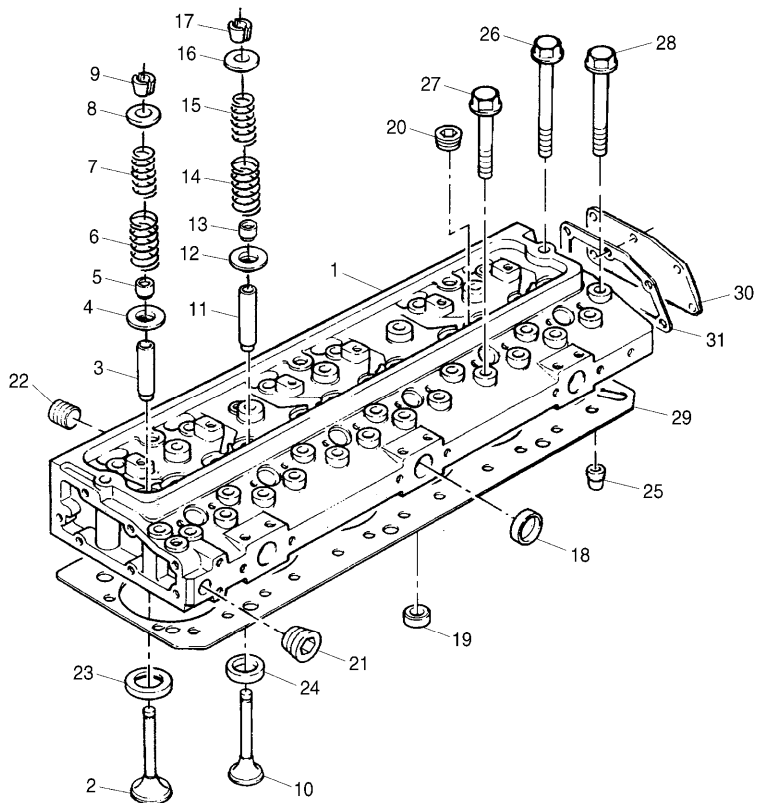
RP72\000020133.png

A-05
06



A0506

Cylinder head



			Inglese
13	33817117	! 1	6 Seal
		T-A 1:50	
14	31745122	! 1	6 Spring
		T-A 1:50	
15	31744133	! 1	6 Spring
		● 6518765M1(1)	
		T-A 1:50	
16	33424107	! 1	6 Coperch.
		T-A 1:50	
17	33173108	! 1	12 Cotter
		A	
		T-A 1:50	
18	0650710	! 1	3 Plug
		T-A 0:50	
19	32417156	! 1	6 Plug
		T-A 0:50	
20	0650586	! 1	6 Plug
		T-A 0:50	
21	2431154	! 1	1 Plug
		T-A 0:50	
22	3212P002	! 1	1 Plug
		T-A 0:50	
23	3314A011	T-A 10:75	6 Insert
24	3314A004	● 3314A121(6)	6 Ring
		T-A 10:75	
25	2114A046		2 Dowel

Engine

G-Max (2008-) - RP72 - 115

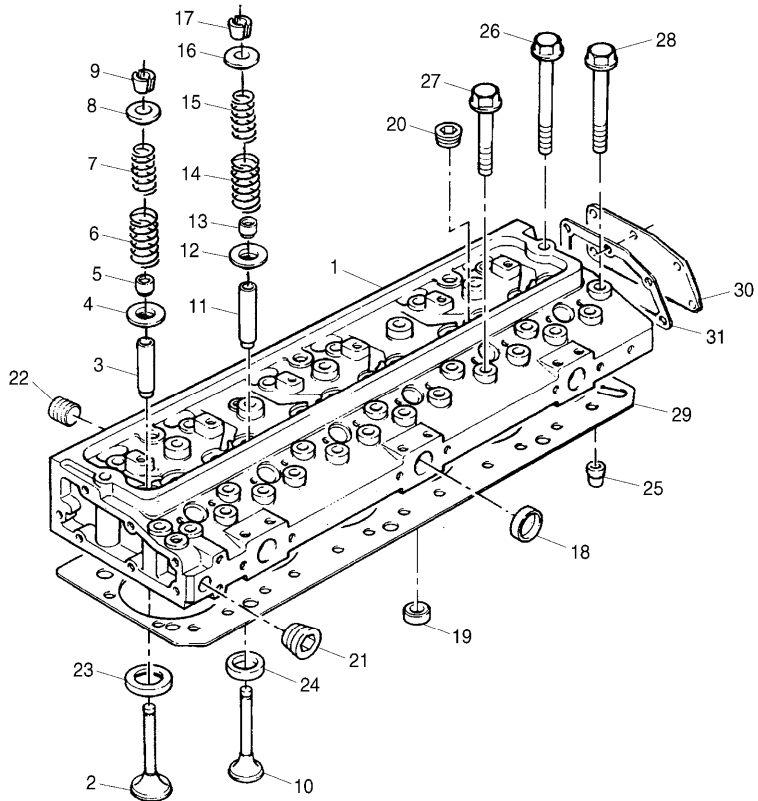
**A-05
06**



A0506

Cylinder head

RP72\000020133.png



Inglese

26	32166219			12	Screw
27	32166221			18	Screw
28	32166222			2	Screw
29	3681H209	(X)	1.3.5.1	1	Gasket
			T-A 9:50		
30		◊	A-05 20 17	1	Cover
31		◊	A-05 20 18	1	Gasket

! This is a component of an assembly

◊ See page - reference number

● Replacement

(X) Qty per tractors sold (aa.bbb.ccc.ddd) (aa) for 1,(bbb) 2-10 (ccc) 11-25 (ddd) 26-50

T-A Replacement

T-B Overhaul

A Service in pairs

Engine

G-Max (2008-) - RP72 - 115

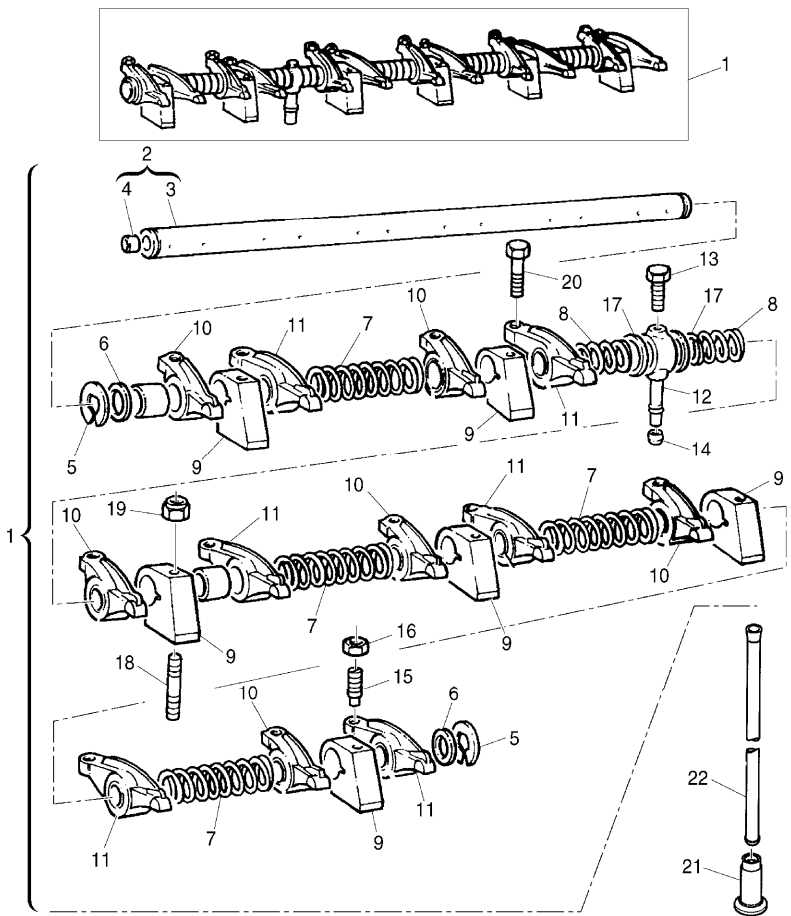
A-05
07



A0507

Rocker shaft

RP72\000020134.png



Inglese

1	ZZ90057	T-A 1:75	1	Shaft
2	U7LR0003	! 1	1	Shaft
		T-A 1:75		
3		! 2	1	Shaft
		➡ Ref.n.2		
4	0650507	! 2	2	Plug
5	0170151	! 1	2	Ring
6	33117434	! 1	2	Lock washer
7	31744123	! 1	4	Spring
		T-A 1:75		
8	31743108	! 1	2	Spring
		T-A 1:75		
9	3818X901	! 1	6	Poppet
		T-A 2:25		
10	4115R305	! 1	6	Axle
		● 4115R505(6)		
		T-A 1:75		
11	4115R306	! 1	6	Rocker
		● 4115R506(6)		
		T-A 1:75		
12	3775E012	! 1	1	Union
		T-A 1:75		
13	2233022	! 1	1	Screw
14	33811113	! 1	1	Ring
		● 376525X1(1)		

Engine

G-Max (2008-) - RP72 - 115

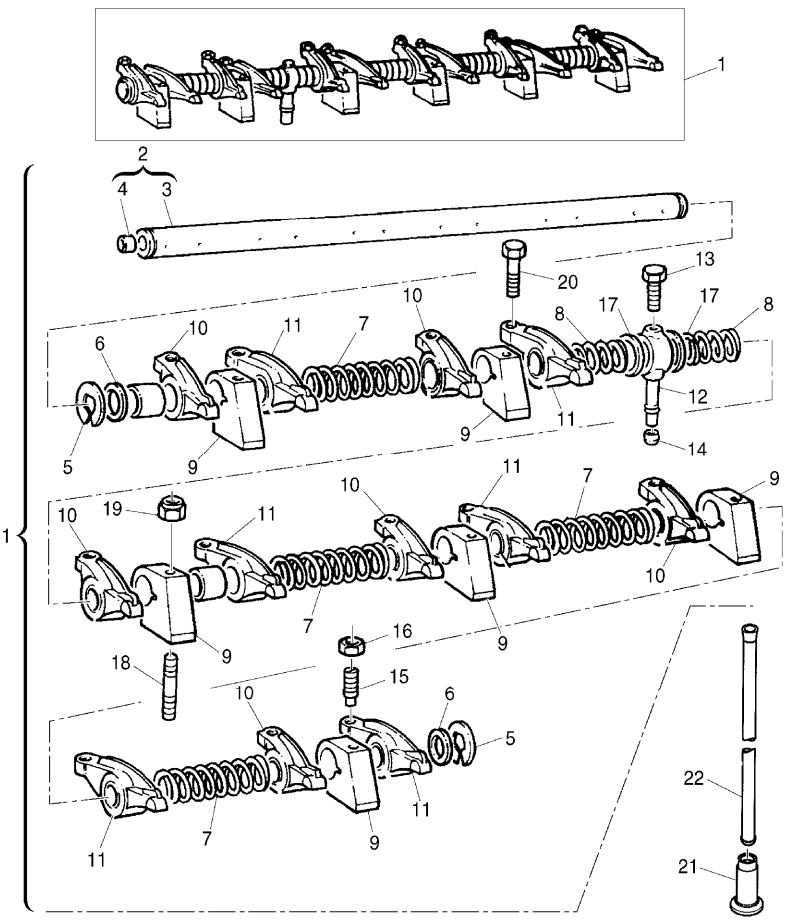
A-05
07



A0507

Rocker shaft

RP72\000020134.png



Inglese

15	32114145	!	1	12	Screw
		T-A	1:50		
16	0576052	!	1	12	Nut
17	3311K015	!	1	2	Shim
		T-A	1:75		
18	2313H331	T-A	1:75	4	Stud
19	2318A605			4	Nut
20	2314J607			2	Screw
21	3142U031	●	3142U991(12)	12	Tappet
		T-A	16:0		
22	31434307	T-A	2:25	12	Rod

- ! This is a component of an assembly
- ▣ Not serviced, order
- Replacement
- T-A Replacement

Engine

G-Max (2008-) - RP72 - 115

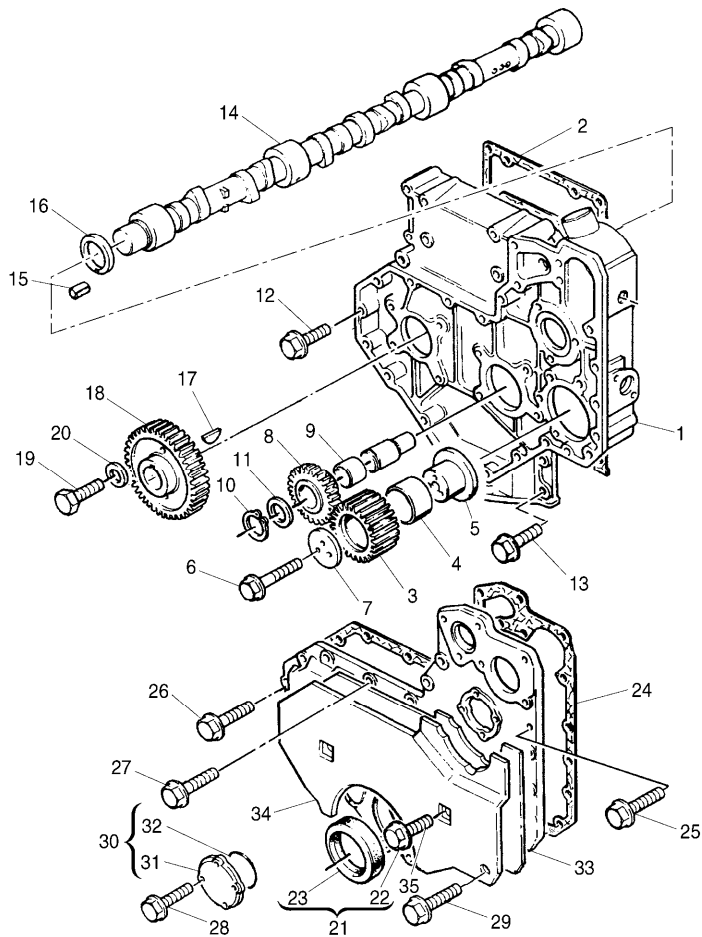
RP72\000020135.png

A-05
08



A0508

Timing gear and camshaft



		Inglese	
1	3716C242	● 3716C522(1) T-A 7:75	1 Coperch.
2	21826405	✂ 3681p009 ● 21826412(1) T-A 7:75	1 Gasket
2	3681P009	✂ 21826405 ● 21826412(1) T-A 7:75	1 Gasket
3	4111A013	T-A 6:0	1 Gear
4	0050345	! 3 T-A 6:0	2 Thimble
5	33426161	● 3311A054(1) T-A 6:0	1 Collar
6	2314J010	T-A 6:0	3 Screw
7	3241H009	● 2314J011(3), 3272 T-A 5:25	1 Plate
8	4111A008	T-A 5:25	1 Gear
9	2511437	! 8 T-A 5:50	1 Bush
10	2722A206		1 Ring
11	33123125		1 Washer
12	2314H003		8 Screw
13	2314H004		4 Screw
14	31416307	● 4112K051(1) T-A 16:0	1 Shaft
15	2116053		1 Pin

Engine

G-Max (2008-) - RP72 - 115

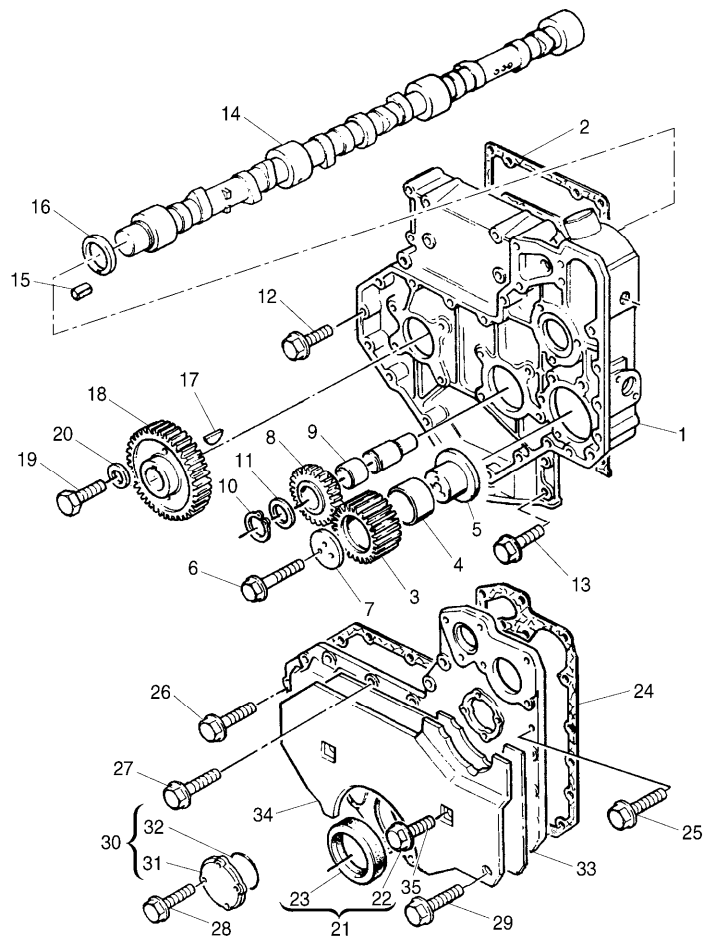
RP72\000020135.png

A-05
08



A0508

Timing gear and camshaft



				Inglese
16	33153121	T-A 6:0		1 Washer
17	0500012			1 Key
18	3117L012	T-A 6:0		1 Gear
19	2314J606			1 Screw
20	3321A003			1 Washer
21	4142A171	(X) 1.2.5.1		1 Ring
		T-A 5:75		
22		! 21		1 Ring
		➡ Ref.n.21		
23	2418F436	! 21		1 Seal
		● 2418F437(1)		
		(X)		
		T-A 5:75		
24	3681P019	● U5MK0641(1)		1 Gasket
		(X)		
		T-A 5:75		
25	2314H004			1 Screw
26	2314H005			6 Screw
27	2314H013			6 Screw
28	2314F036			4 Screw
29	2314H034			1 Screw
30	4152A002	T-A 1:25		1 Coperch.
31		! 30		1 Cover
		➡ Ref.n.30		

Engine

G-Max (2008-) - RP72 - 115

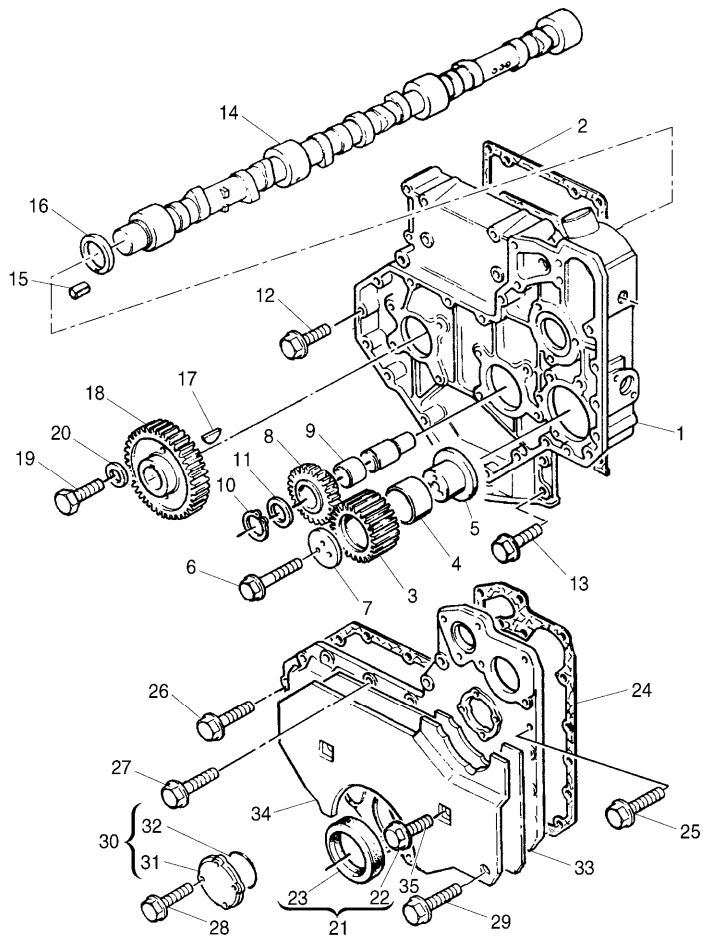
RP72\000020135.png

A-05
08



A0508

Timing gear and camshaft



Inglese

32	2415A093	!	30	1	Ring
			T-A 1:25		
33	3781N042	T-A	5:75	1	Guard
34	3781N043	T-A	5:75	1	Guard
35	2314F003			1	Screw

! This is a component of an assembly

 Alternative

 Not serviced, order

 Replacement

(X) Qty per tractors sold (aa.bbb.ccc.ddd) (aa) for 1,(bbb) 2-10 (ccc) 11-25 (ddd) 26-50

T-A Replacement

Engine

G-Max (2008-) - RP72 - 115

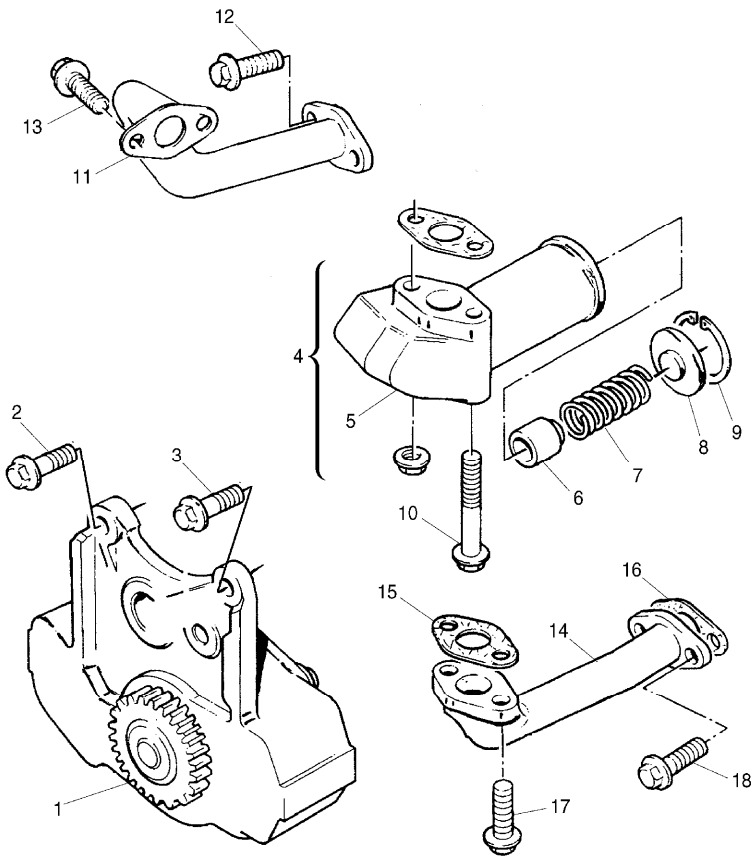
RP72\000020136.png

A-05
09



A0509

Lubricating oil pump and delivery housing



				Inglese
1	4132F043	T-A	5:25	1 Pump
2	2314H004			2 Screw
3	2314H002			1 Screw
4	4138A034	T-A	5:25	1 Valve
5	!		4	1 Valve
		▶	Ref.n.4	
6	32712726	!	4	1 Piston
		T-A	5:25	
7	31744151	!	4	1 Spring
		T-A	5:25	
8	32712111	!	4	1 Cup
		T-A	5:25	
9	2721130	!	4	1 Ring
		T-A	5:25	
10	2314K161			2 Screw
11	3571C045	T-A	5:25	1 Pipe
12	2314H004			2 Screw
13	2314H004			2 Screw
14	3572V013	T-A	5:25	1 Pipe
15	36832143	T-A	5:25	1 Gasket
16	36831127	T-A	5:25	1 Gasket
17	2314F004			2 Screw
18	2311D038			2 Screw
!	This is a component of an assembly			
▶	Not serviced, order			
T-A	Replacement			

Engine

G-Max (2008-) - RP72 - 115

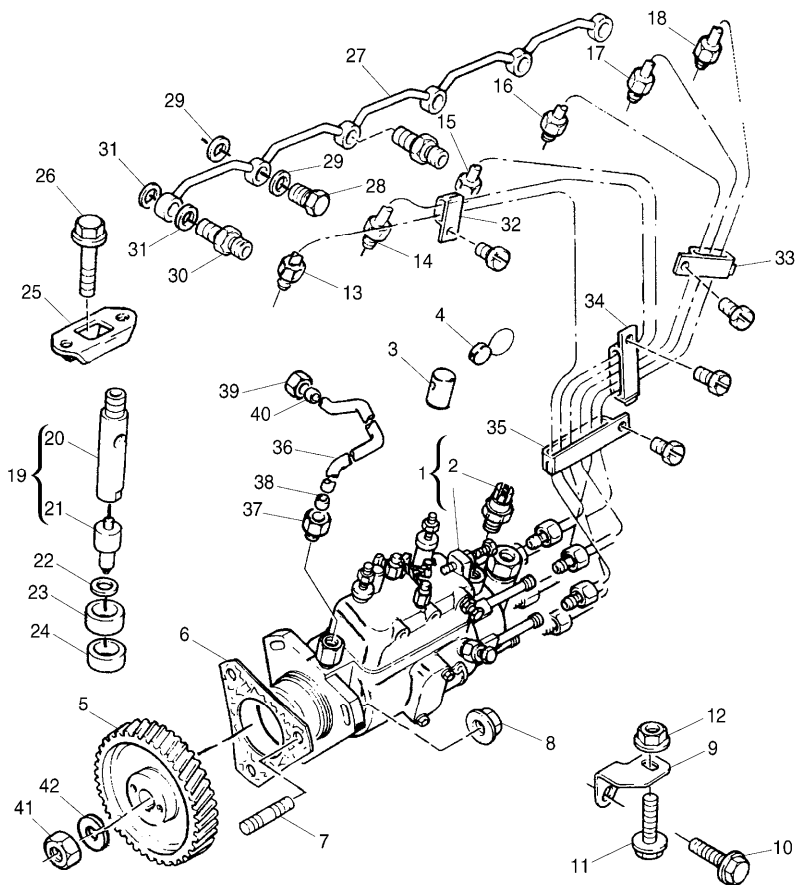
A-05
10



A0510

Fuel injection equipment (diesel)

RP72\000020137.png



		Inglese	
1	2643D804	● UFK3D824(1) T-A 2:50	1 Pump
2	28730179	! 1 ● 26420469(1), 3161C012(1), 4181V013(1) (X) T-A 0:25	1 Solenoid
3	2648A115		1 Manicott
4	31718105		1 Wire, retaining
5	3117L052	T-A 5:0	1 Gear
6	33828108	● 3687H017(1) T-A 1:50	1 Gasket
7	3211P004		3 Stud
8	2318A603		3 Nut
9	3645E008		1 Support
10	2314J002		1 Screw
11	2314H003		1 Screw
12	2318A603		1 Nut
13	3522N034	T-A 0:75	1 Pipe
14	3522N035	T-A 0:75	1 Pipe
15	3522N036	T-A 0:75	1 Pipe
16	3522N037	T-A 0:75	1 Pipe
17	3522N038	T-A 0:75	1 Pipe
18	3522N039	T-A 0:75	1 Pipe
19	2645A032	T-A 0:50	6 Atomiser

Engine

G-Max (2008-) - RP72 - 115

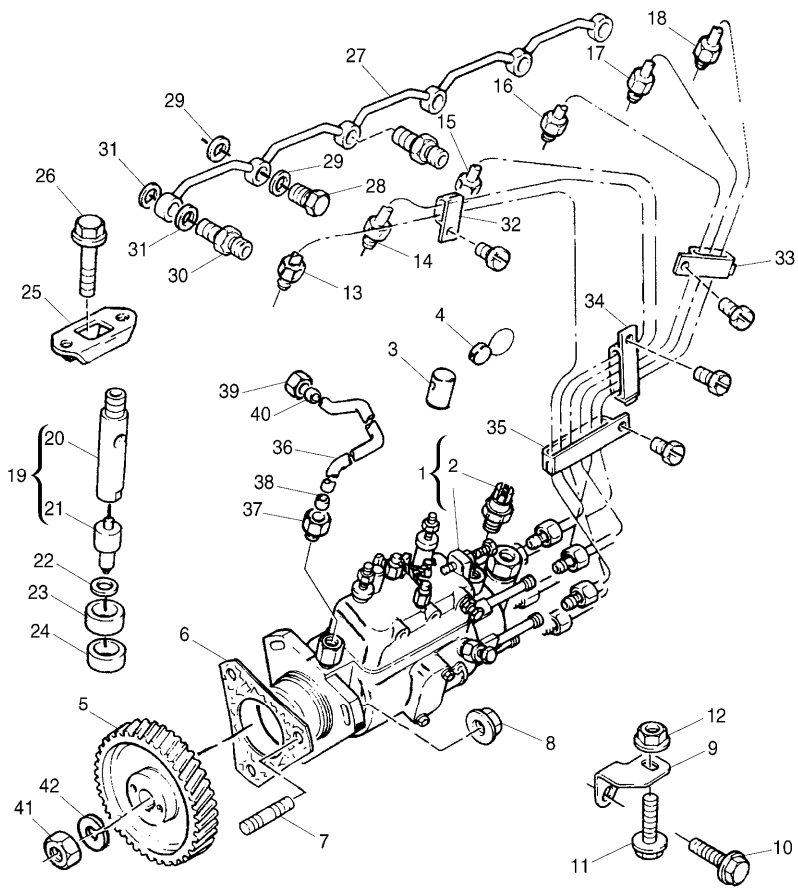
A-05
10



A0510

Fuel injection equipment (diesel)

RP72\000020137.png



				Inglese
20	2645A302	!	19	1 Support
		T-A	0:50	
21	2645A617	!	19	1 Nozzle
		(X)	6.12.24.5	
		T-A	0:50	
22	0921173	T-A	0:75	6 Washer
23	33813129	T-A	0:75	6 Spacer
24	33813131	●	3311A042(6)	6 Seal
		T-A	0:75	
25	3662K002			6 Clamp
26	2314H006			12 Screw
27	3558X021	T-A	0:50	1 Pipe
28	0095315			3 Filler
29	2415D052			8 Washer
30	0201526			2 Union
31	2415D052			4 Washer
32	2646E006			1 Clip
33	2646E007			1 Clip
34	2646E007			1 Clip
35	2646E009			1 Clip
36	4121C316	T-A	0:50	1 Pipe
37	3353D004	!	36	1 Nut
38	33811112	!	36	1 Spinner
39	33225412	●	376521X1(1)	1 Nut
40	33811112			1 Spinner

Engine

G-Max (2008-) - RP72 - 115

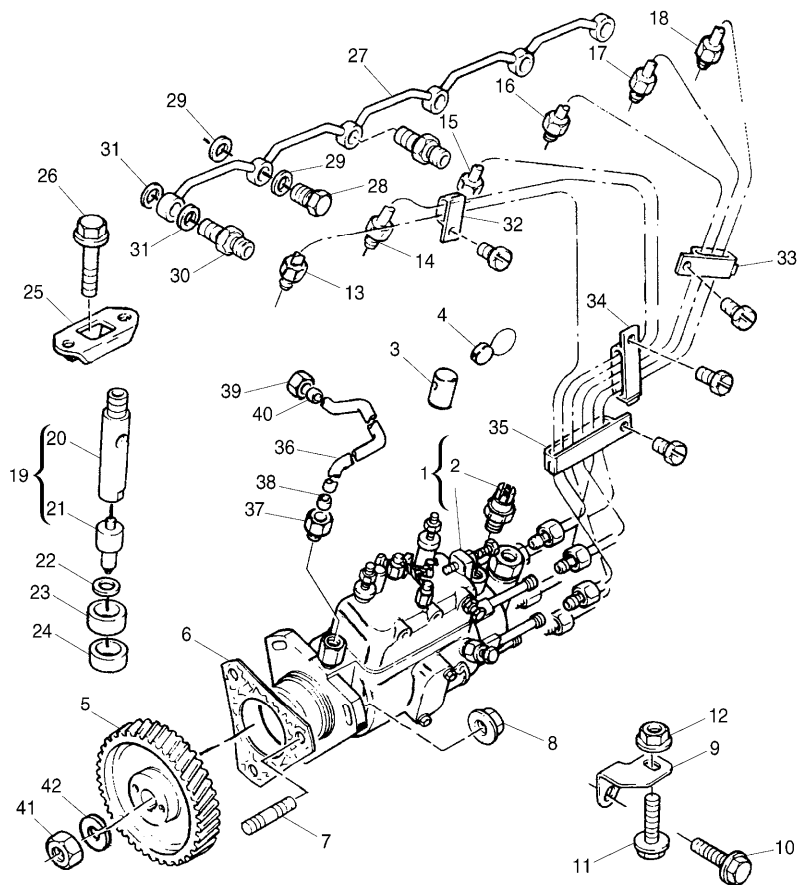
A-05
10



A0510

Fuel injection equipment (diesel)

RP72\000020137.png



Inglese

41 2318A108

1 Nut

42 K134AF01

1 Washer

! This is a component of an assembly

● Replacement

(X) Qty per tractors sold (aa.bbb.ccc.ddd) (aa) for 1,(bbb) 2-10 (ccc) 11-25 (ddd) 26-50

T-A Replacement

Engine

G-Max (2008-) - RP72 - 115

RP72\000020138.png

A-05
11



A0511

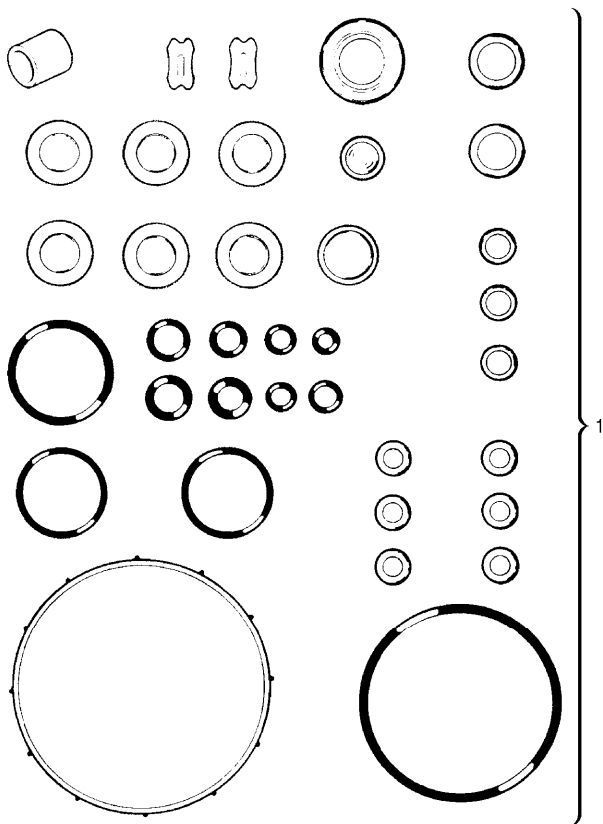
Kit gasket

Inglese

Kit

1 26431762 A

A Used only with 2643d803



Engine

G-Max (2008-) - RP72 - 115

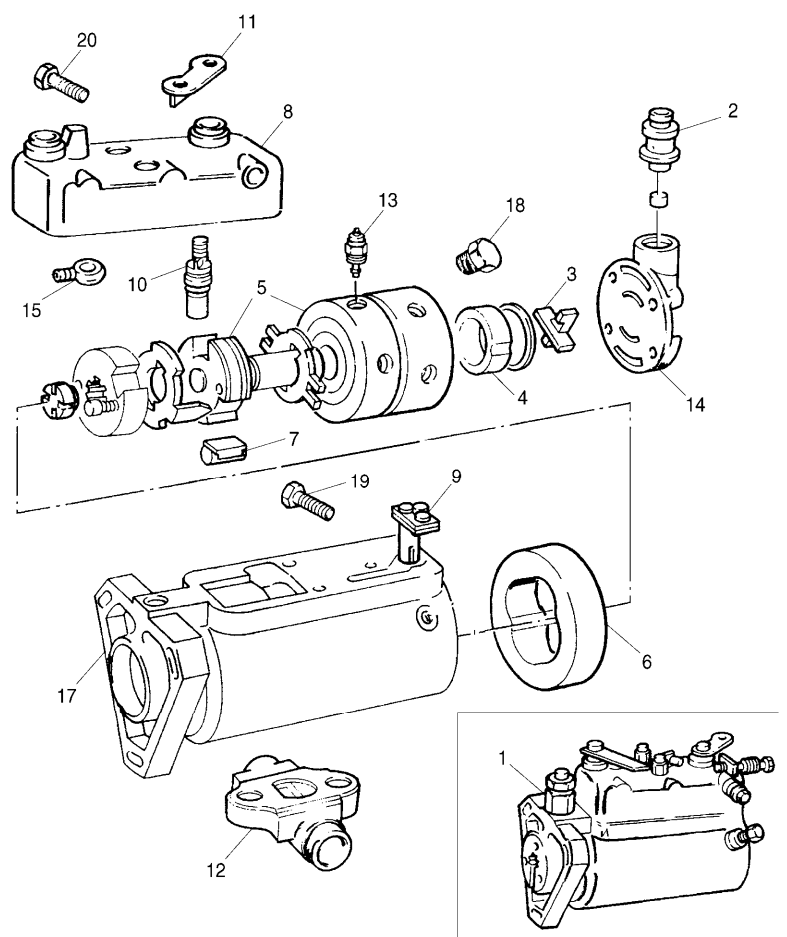
RP72\000020139.png

**A-05
12**



A0512

Injection pump



		Inglese	
1	2643D804	● UFK3D824(1)	1 Pump
		T-A 2:50	
		T-B 3:50	
2	26431038	! 1	1 Piston
3	0997231	! 1	1 Blade cutter
4	26430445	! 1	1 Liner
5	26431907	! 1	1 Body
		T-A 3:50	
6	26431420	! 1	1 Ring
7	26431420	! 1	1 Ring
8	26431873	! 1	1 Cover
9	26430864	! 1	1 Valve
		A	
10	26431874	! 1	1 Shaft
11	26431880	! 1	1 Lever
12	26431765	! 1	1 Piston
		T-A 3:50	
13	28730179	! 1	1 Solenoid
		● 26420469(1), 3161C012(1), 4181V013(1)	
14	26431878	! 1	1 Plate
15	26430714	! 1	1 Connector
16	26431861	! 1	1 Rotor
17	26431529	! 1	1 Body
18	26431881	! 1	1 Valve

Engine

G-Max (2008-) - RP72 - 115

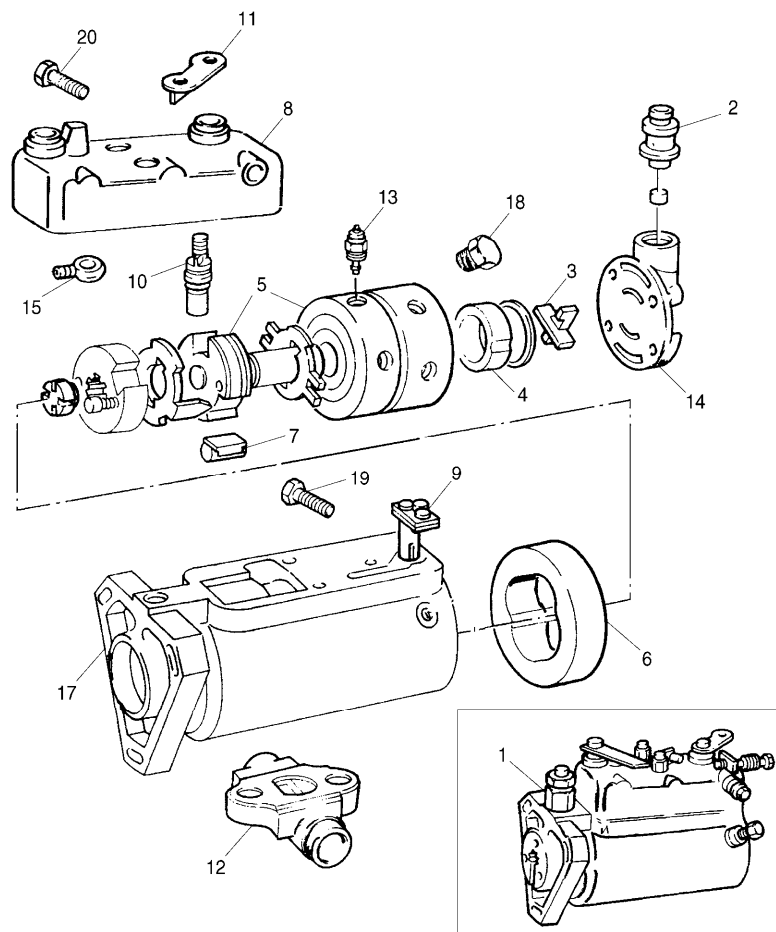
RP72\000020139.png

A-05
12



A0512

Injection pump



Inglese

19 26430021 ! 1 1 Screw

20 26430048 ! 1 1 Screw

! This is a component of an assembly

● Replacement

T-A Replacement

T-B Overhaul

A Request engine specifications before ordering

Engine

G-Max (2008-) - RP72 - 115

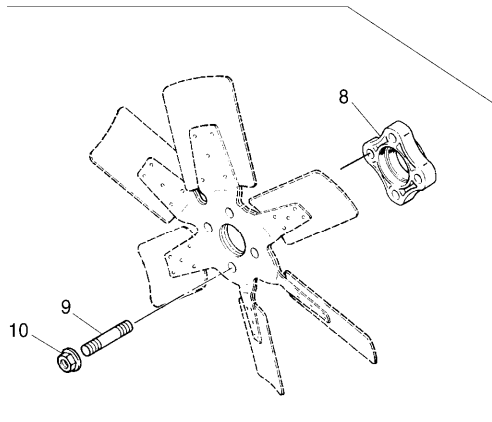
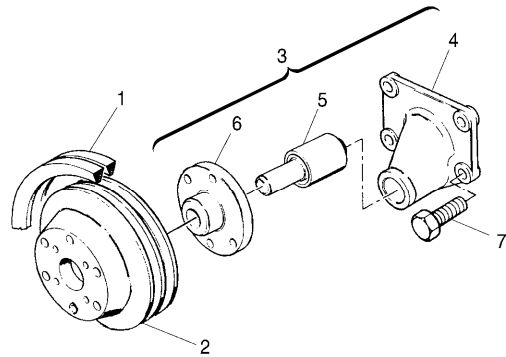
RP72\000020140.png

**A-05
13**



A0513

Fan-type pulley



Inglese

1	2614B665	A		1 Belt
		(X)	1.3.6.1	
		T-A	0:50	
2	3115C113	T-A	1:50	1 Pulley
3	4113H073	T-A	1:75	1 Kit
4		!	3	1 Kit
		➤	Ref.n.3	
5		!	3	1 Kit
		➤	Ref.n.3	
6		!	3	1 Kit
		➤	Ref.n.3	
7	2314J014			4 Screw
8	3748W216	T-A	1:0	1 Extension
9	2313H228			4 Stud
10	2318D208			4 Nut
	!	This is a component of an assembly		
	➤	Not serviced, order		
	(X)	Qty per tractors sold (aa.bbb.ccc.ddd) (aa) for 1,(bbb) 2-10 (ccc) 11-25 (ddd) 26-50		
	T-A	Replacement		
	A	Serviced in pairs		



Suggest:

For more complete manuals. Please go to the home page.

<https://www.ebooklibonline.com>

If the above button click is invalid. Please download this document first, and then click the above link to download the complete manual.

Thank you so much for reading

Engine

G-Max (2008-) - RP72 - 115

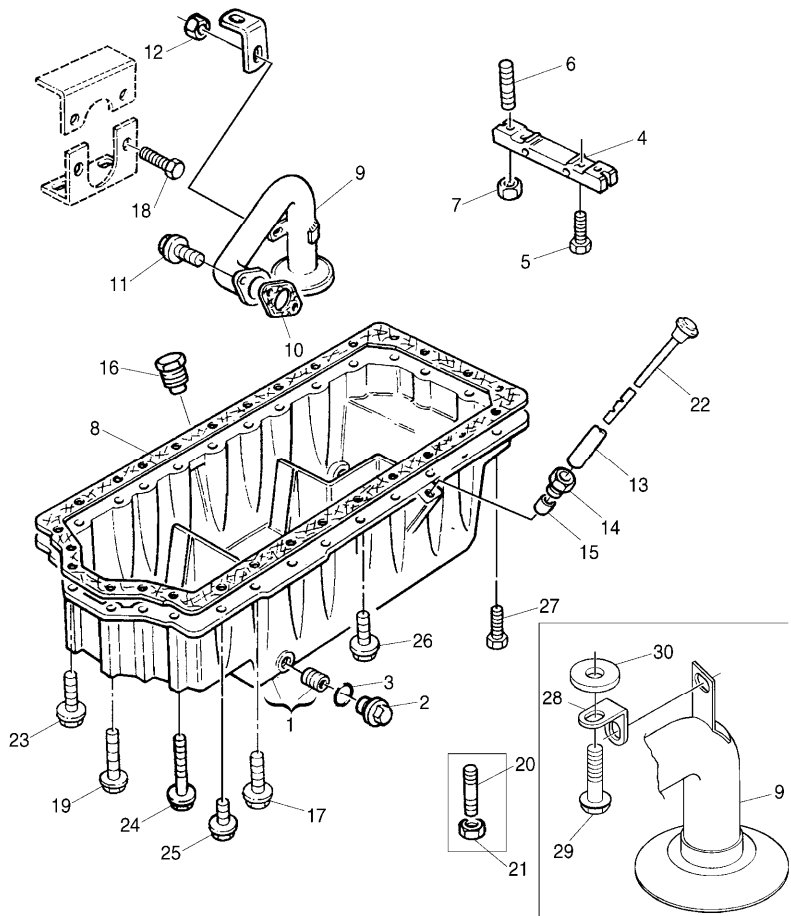
RP72\000020141.png

A-05
14



A0514

Lubricating oil sump



- | | | | |
|----|----------|-----|-------------|
| 1 | 3717P174 | T-A | 5:0 |
| 2 | 32186405 | | |
| 3 | 2415715 | | |
| 4 | 3627P023 | ● | 3627P041(1) |
| | | T-A | 5:0 |
| 5 | 2311D039 | | |
| 6 | 3211P005 | | |
| 7 | 2318A603 | | |
| 8 | 3681M007 | (X) | 1.3.5.1 |
| | | T-A | 5:0 |
| 9 | 3575K007 | T-A | 5:25 |
| 10 | 3683H005 | T-A | 5:25 |
| 11 | 2314H004 | | |
| 12 | 2318A603 | | |
| 13 | 3577A125 | T-A | 0:25 |
| 14 | 3353D005 | ! | 13 |
| 15 | 33812116 | | |
| 16 | 2431A016 | | |
| 17 | 2314H019 | | |
| 18 | 2314H002 | | |
| 19 | 2314H019 | | |
| 20 | 3211P005 | | |
| 21 | 2318A603 | | |
| 22 | 3178C079 | T-A | 0:25 |
| 23 | 2314H008 | | |

Inglese

- | | |
|---|------------|
| 1 | Pan |
| 2 | Plug |
| 2 | Ring |
| 1 | Crosspiece |
| 2 | Screw |
| 2 | Stud |
| 2 | Nut |
| 1 | Gasket |
| 1 | Pipe |
| 1 | Gasket |
| 2 | Screw |
| 1 | Nut |
| 1 | Pipe |
| 1 | Nut |
| 1 | Olive |
| 1 | Plug |
| 2 | Screw |
| 1 | Screw |
| 4 | Screw |
| 2 | Stud |
| 2 | Nut |
| 1 | Dipstick |
| 2 | Screw |

Engine

G-Max (2008-) - RP72 - 115

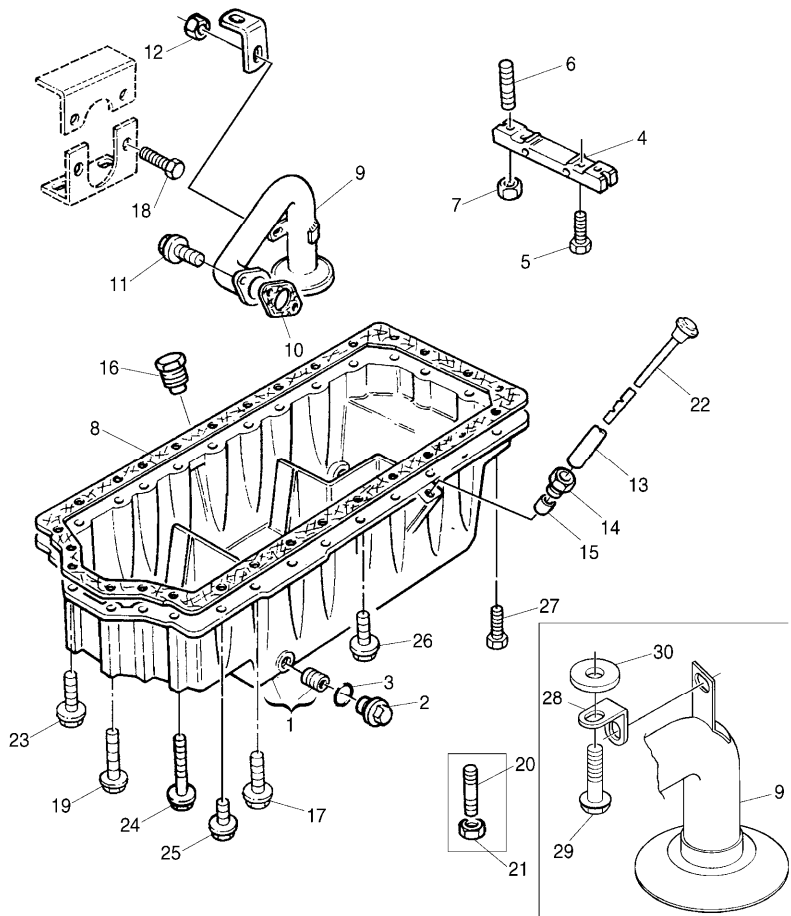
RP72\000020141.png

A-05
14



A0514

Lubricating oil sump



Inglese

- 24 2314H007 1 Screw
- 25 2314H012 1 Screw
- 26 2314H008 12 Screw
- 27 2314H013 2 Screw
- 28 3641A005 1 Support
- 29 2314H003 1 Screw
- 30 0920433 1 Spacer

! This is a component of an assembly

● Replacement

(X) Qty per tractors sold (aa.bbb.ccc.ddd) (aa) for 1,(bbb) 2-10 (ccc) 11-25 (ddd) 26-50

T-A Replacement

<https://www.ebooklibonline.com>

Hello dear friend!

Thank you very much for reading.

Enter the link into your browser.

The full manual is available for immediate download.

<https://www.ebooklibonline.com>