

Engine

GM tier 3 (2009-) - RS12 - 55

RS12\00012225.png

A-05
01



A0501

Engine assembly - engine yanmar type "4tnv - zxlan"

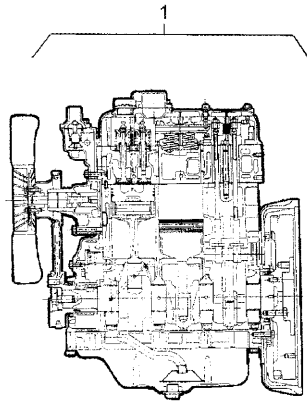
Inglese

1 4208203M93 T-A 13:0
T-B 31:0

1 Engine

T-A Replacement

T-B Overhaul



Engine

GM tier 3 (2009-) - RS12 - 55

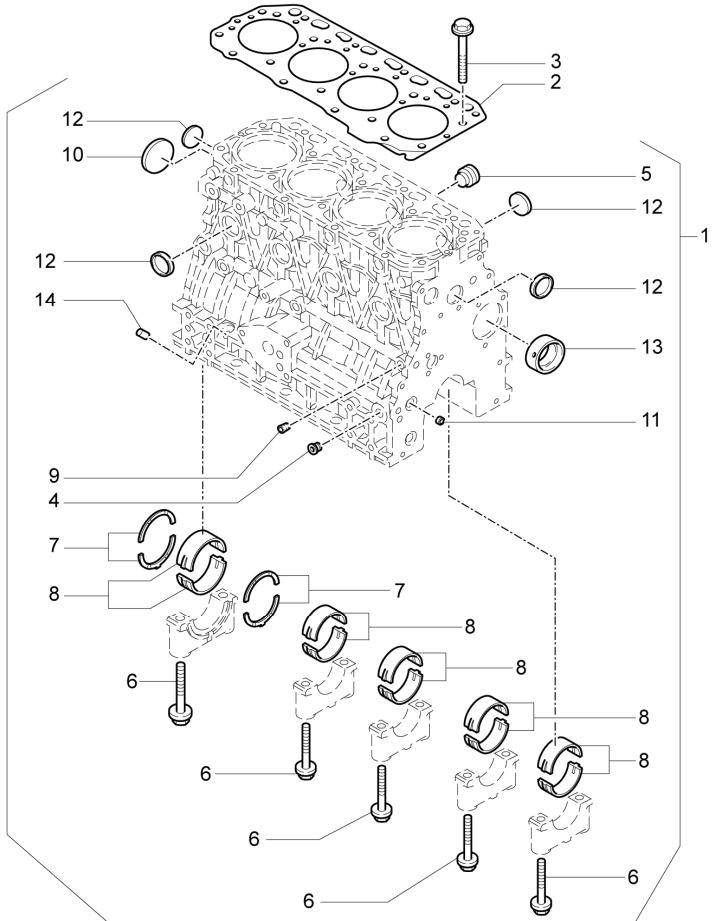
RS12\000015553.png

A-05
02



A0502

Cylinder block & related parts



				Inglese
1	4218308M91	T-A	33:0	1 Block
2	3693927M1	(X)	1.3.6.1	1 Gasket
		T-A	5:50	
3	3653428M1			18 Stud
4	3653316M1	!	1	2 Plug
		T-A	0:25	
5	3653796M1	!	1	1 Plug
		T-A	0:25	
6	3653429M1	!	1	10 Bolt
7	4215968M1	!	1	2 Clamp
		T-A	16:50	
7	4215970M1	!	1	1 Clamp
		A		
		T-A	16:50	
8	4215967M1	T-A	16:50	5 Clamp
8	4215969M1	●	3653431M2(5)	5 Clamp
		B		
		T-A	16:50	
9	3678007M1	!	1	1 Plug
		T-A	0:25	
10	3664445M1	!	1	1 Plug
		Ø	50mm	
11	3653888M1	!	1	2 Plug
		Ø	12mm	

Engine

GM tier 3 (2009-) - RS12 - 55

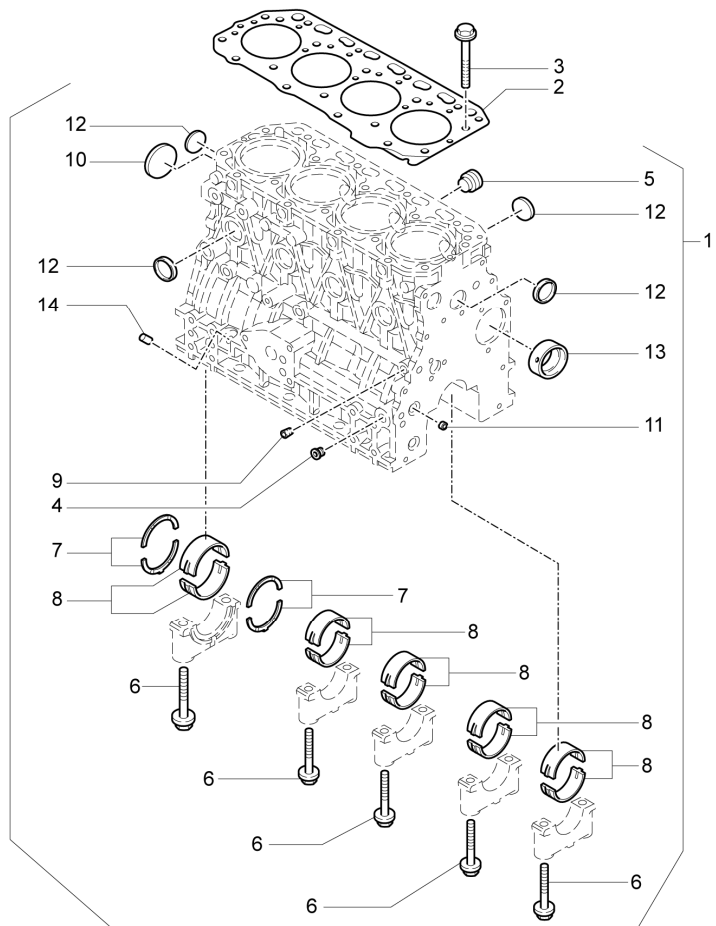
RS12\000015553.png

A-05
02



A0502

Cylinder block & related parts



Inglese

12	3653889M1	!	1	8	Plug
		Ø	30mm		
		●	3653889M2(8)		
		T-A	0:75		
13	4215962M1	!	1	1	Bush
		T-A	31:0		
14	3677943M1	!	1	1	Plug

! This is a component of an assembly

Ø Diameter

● Replacement

(X) Qty per tractors sold (aa.bbb.ccc.ddd) (aa) for 1,(bbb) 2-10 (ccc) 11-25 (ddd) 26-50

T-A Replacement

A Over-size (0,25mm) part.

B Under-size (0,25mm) part.

<https://www.ebooklibonline.com>

Hello dear friend!

Thank you very much for reading.

Enter the link into your browser.

The full manual is available for immediate download.

<https://www.ebooklibonline.com>

Engine

GM tier 3 (2009-) - RS12 - 55

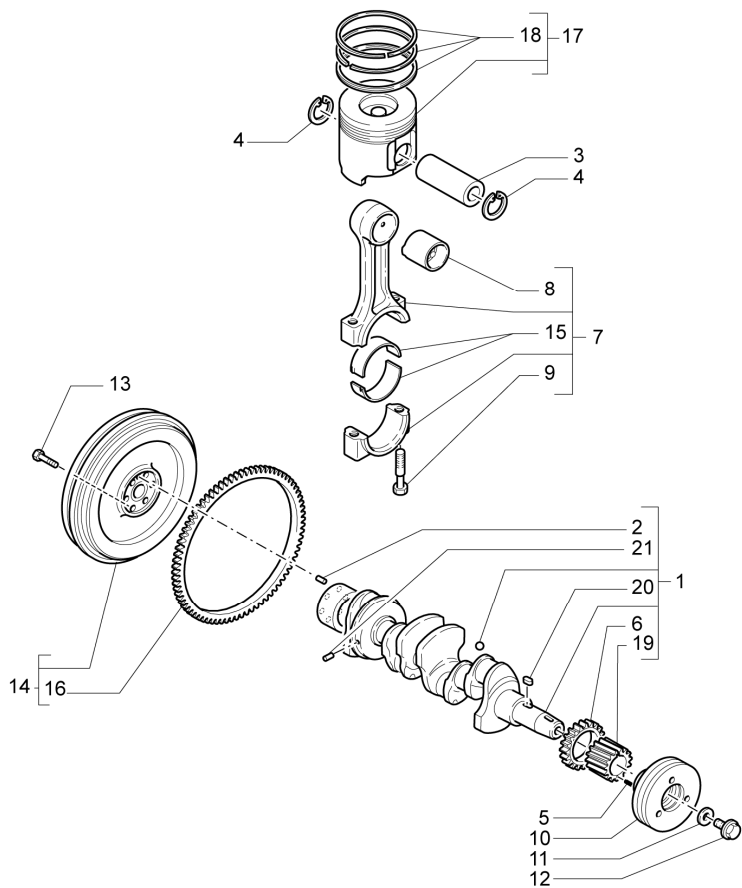
RS12\000015554.png

A-05
03



A0503

Crankshaft & flywheel - connecting rod - pistons



				Inglese
1	4218241M91	T-A 16:50		1 Shaft
		T-B 18:50		
2	3653378M1	! 1		1 Dowel
		M8x16		
3	3653731M1	T-A 17:0		4 Cotter
4	3653815M1	Ø 26mm		8 Clip
5	3678301M1	3x10		1 Spring
6	3664468M1	! 1		1 Gear
		T-A 20:0		
7	3653897M1	T-A 17:0		4 Conrod
8	3653383M1	! 7		4 Bearing
		T-A 17:0		
9	3653307M1	! 7		8 Bolt
10	4218022M1	● 4217430M1(1)		1 Pulley
		T-A 2:0		
11	3653794M1			1 Washer
12	3653309M1			1 Bolt
13	3653301M1			6 Bolt
14	3653762M1	T-A 10:50		1 Flywheel
15	4216034M1	! 7		4 Thimble
		T-A 17:0		
16	3653297M1	! 14		1 Crownwheel
		T-A 10:25		
17	4218229M91	T-A 17:50		4 Piston

Engine

GM tier 3 (2009-) - RS12 - 55

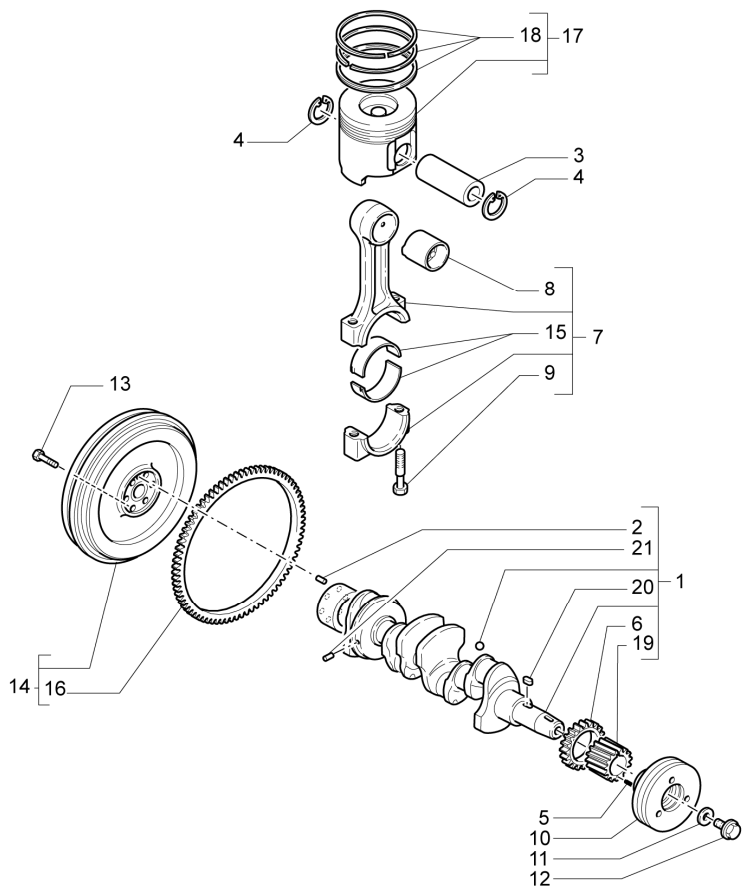
RS12\000015554.png

**A-05
03**



A0503

Crankshaft & flywheel - connecting rod - pistons



Inglese

17	4218310M1	B		4	Piston
		T-A	17:50		
18	4218230M91	!	17	4	Kit
		T-A	17:50		
18	4218311M91	!	17	4	Kit
		A			
		T-A	17:50		
19	4218160M1	!	1	1	Gear
		T-A	20:0		
20	3653820M1	!	1	1	Key
			7x14		
21	3653308M1	!	1	1	Dowel
	! This is a component of an assembly				
	Ø Diameter				
	● Replacement				
	T-A Replacement				
	T-B Overhaul				
	A Over-size (0,25mm) part.				
	B Under-size (0,25mm) part.				

Engine

GM tier 3 (2009-) - RS12 - 55

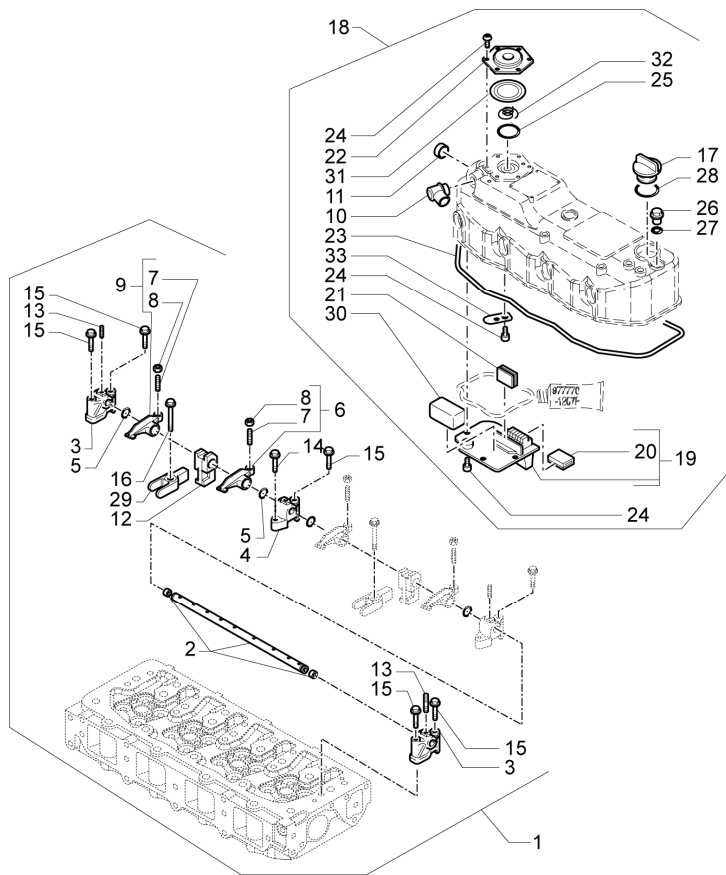
A-05
04



A0504

Cylinder head, injector sleeve & intake valve guide-rocker arm, cover & valves

RS12\000015555.png



			Inglese
1	3678242M1		1 Shaft
2	3678243M1	! 1	1 Shaft
		T-A 3:0	
3	3678244M1	! 1	2 Support
4	3678245M1	! 1	3 Support
		T-A 2:0	
5	3678246M1	! 1	8 Washer
6	3678249M1	! 1	4 Arm
		T-A 2:0	
7	3653439M1	! 9	8 Screw
8	3653444M1	! 9	8 Nut
		T-A 0:25	
9	3678250M1	! 1	4 Arm
		T-A 2:0	
10	3664374M1	! 18	1 Universal joint
		T-A 0:25	
11	4218307M1	! 18	1 Plug
		Ø 18mm	
12	3678258M1	! 1	4 Union
		T-C 2:0	
13	3678314M1	! 1	3 Stud
		M8x35	
14	3653860M1	M8x25	3 Bolt
15	3653864M1	M8x50	7 Bolt
16	3678296M1		4 Bolt
17	3653315M1	T-A 0:25	1 Plug

Engine

GM tier 3 (2009-) - RS12 - 55

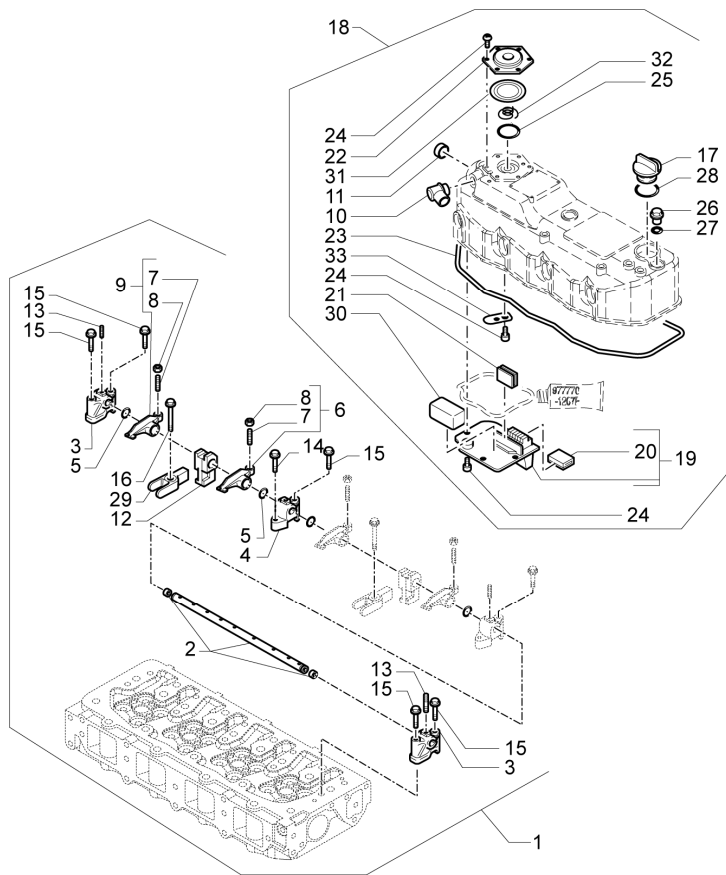
A-05
04



A0504

Cylinder head, injector sleeve & intake valve guide-rocker arm, cover & valves

RS12\000015555.png



Inglese

18	4218233M91	T-A	1:50	1	Cover
		T-B	1:25		
19	3678047M1	!	18	1	Disc
20	3677970M1	!	19	1	Control
21	3653435M1	!	18	1	Guard
22	3679688M1	!	18	1	Plate
		T-A	0:25		
23	3678247M1	!	18	1	Gasket
		(X)	1.3.6.1		
		T-A	1:50		
24	3665010M1	!	18	11	Screw
			M5x10		
25	3679687M1	!	18	1	Plate
		T-A	0:25		
26	3653317M1	T-A	0:25	3	Plug
27	3653831M1		P12.0	3	O ring
		T-A	0:25		
28	3653835M1		1a p32.0	1	O ring
		T-A	0:25		
29	3678257M1	T-C	2:0	4	Clip
30	3679685M1	!	18	1	Spacer
31	3679686M1	!	18	1	Diaphragm
32	3679689M1	!	18	1	Spring
33	4218165M1	!	18	1	Spring

! This is a component of an assembly

Ø Diameter

Engine

GM tier 3 (2009-) - RS12 - 55

A-05
04

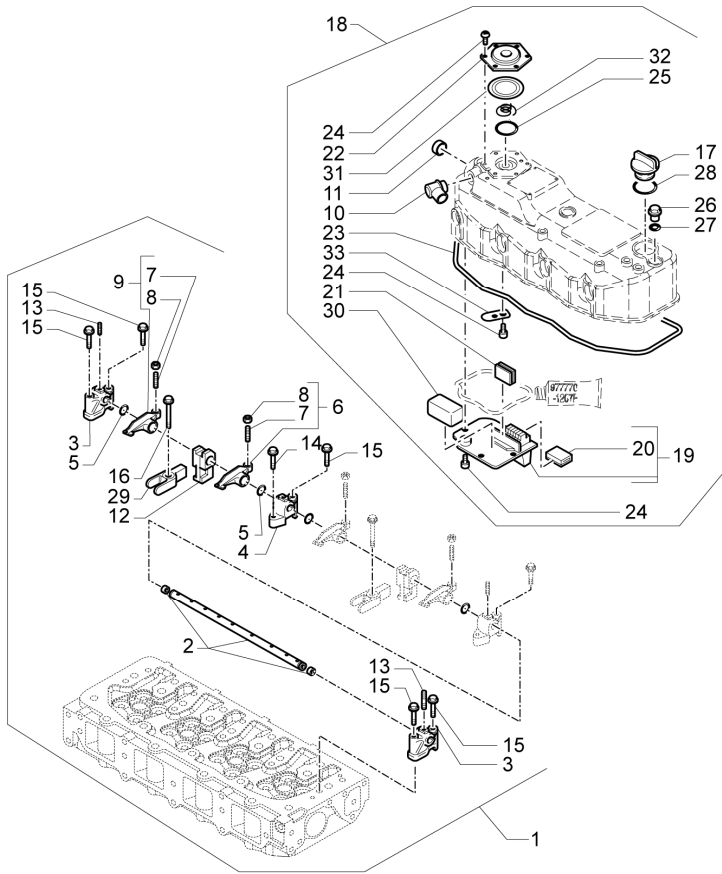


A0504

Cylinder head, injector sleeve & intake valve guide-rocker arm, cover & valves

RS12\000015555.png

- (X) Qty per tractors sold (aa.bbb.ccc.ddd) (aa) for 1,(bbb) 2-10 (ccc) 11-25 (ddd) 26-50
- T-A Replacement
- T-B Overhaul
- T-C Setting



Engine

GM tier 3 (2009-) - RS12 - 55

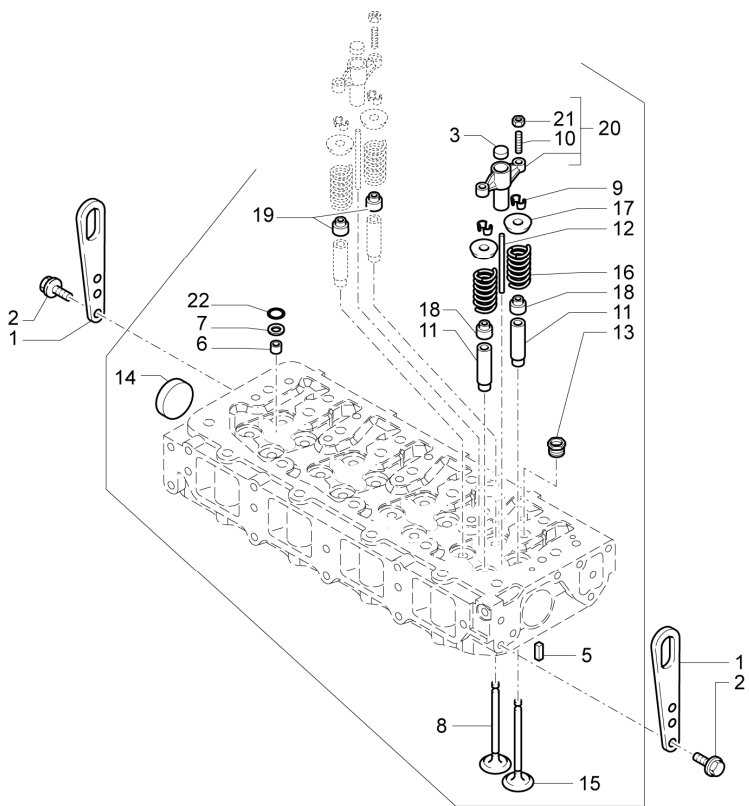
RS12\000015556.png

A-05
05



A0505

Cylinder head, injector sleeve & intake valve guide-rocker arm, cover & valves



				Inglese
1	3664580M1	T-A	0:25	2 Cam
2	3653858M1		M8x16	4 Bolt
3	3679659M1			8 Washer
4	4218217M91	T-A	5:0	1 Coperch.
		T-B	8:0	
5	3653818M1		6x12	2 Pin
6	3677971M1	T-A	7:75	4 Guard
7	3653266M1			4 Washer
8	3678049M1	!	4	8 Valve
9	3677965M1	!	4	32 Dowel
		T-A	7:75	
10	3678003M1	!	20	8 Screw
11	3677967M1	T-A	8:75	16 Guide
12	3678255M1	!	4	8 Guide
		T-A	8:75	
13	3678308M1	!	4	4 Plug
14	3653890M1	!	4	2 Plug
		Ø	40mm	
15	3685204M1	!	4	8 Valve
		T-A	7:75	
16	3678239M1	!	4	16 Spring
		T-A	7:75	
17	3678241M1	!	4	16 Clip
		T-A	7:75	
18	3677966M1	!	4	8 Ring

Engine

GM tier 3 (2009-) - RS12 - 55

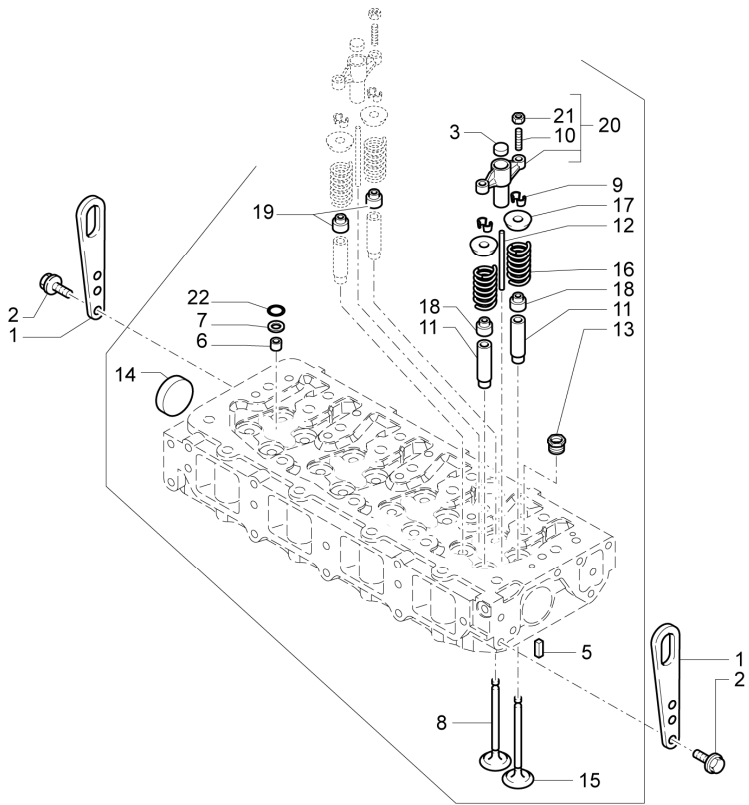
RS12\000015556.png

A-05
05



A0505

Cylinder head, injector sleeve & intake valve guide-rocker arm, cover & valves



Inglese

19	3677968M1	!	4	8	Ring
20	4218271M91	!	4	8	Kit
			T-A 7:75		
21	3653444M1	!	20	8	Nut
			T-A 0:25		
22	3653831M1		P12.0	4	O ring

! This is a component of an assembly

Ø Diameter

T-A Replacement

T-B Overhaul

Engine

GM tier 3 (2009-) - RS12 - 55

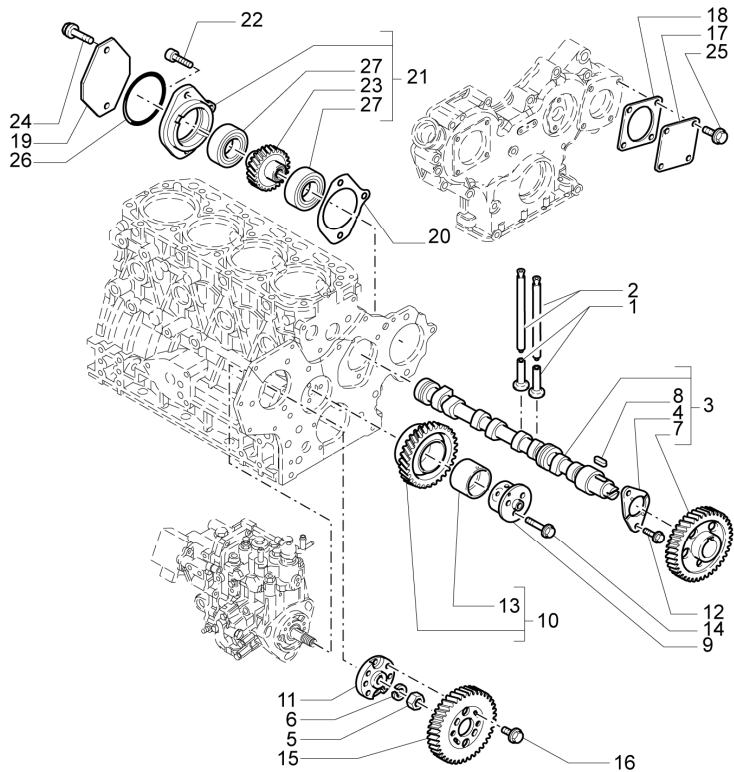
RS12\000015557.png

A-05
06



A0506

Timing gear and camshaft



				Inglese
1	3653447M1	T-A 31:0		8 Tappet
2	3653448M1	T-A 2:75		8 Rod
3	3678261M1	T-A 31:0		1 Shaft
4	3653430M1	! 3		1 Plate
		T-A 31:0		
5	3678315M1	M14		1 Nut
6	3678300M1	Ø 14mm		1 Spring
7	3653446M1	! 3		1 Gear
		T-A 31:0		
8	3653820M1	! 3		1 Key
		7x14		
		T-A 31:0		
9	4218161M1			1 Shaft
10	4216017M91			1 Gear
11	3678298M1	T-A 9:25		1 Flange
12	3653857M1	M8x14		2 Bolt
13	4216018M1	! 10		1 Bush
14	3653862M1	M8x40		3 Bolt
15	3677978M1	T-A 9:25		1 Gear
16	3664454M1			4 Screw
17	3653320M1	T-A 0:50		1 Coperch.
18	3653321M1	T-A 0:50		1 Gasket
19	3653300M1	T-A 0:50		1 Coperch.
20	3653800M1	T-A 1:0		1 Gasket
21	3653363M1	T-A 1:0		1 Kit

Engine

GM tier 3 (2009-) - RS12 - 55

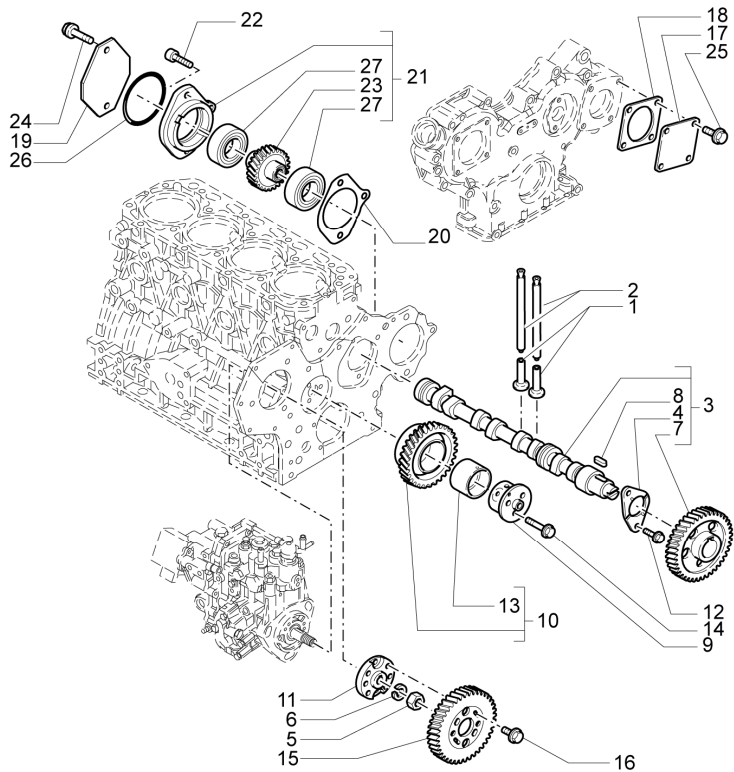
RS12\000015557.png

A-05
06



A0506

Timing gear and camshaft



			Inglese
22	3653879M1	M8x28	1 Bolt
23	3653364M1	! 21	1 Gear
		T-A 1:50	
24	3653869M1	M10x45	2 Bolt
25	3653858M1	M8x16	4 Bolt
26	3653839M1	1a g85.0	1 O ring
		T-A 0:50	
27	3653830M1	! 21	2 Cuscinet
		(X) 2.4.8.1	
		T-A 1:50	

! This is a component of an assembly

Ø Diameter

(X) Qty per tractors sold (aa.bbb.ccc.ddd) (aa) for 1,(bbb) 2-10 (ccc) 11-25 (ddd) 26-50

T-A Replacement

Engine

GM tier 3 (2009-) - RS12 - 55

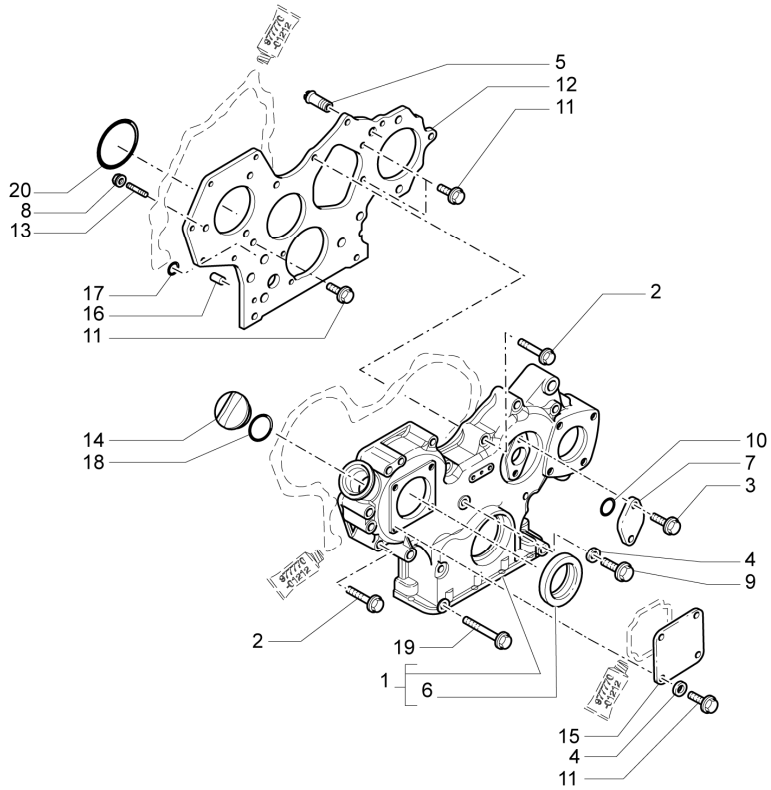
RS12\000015558.png

A-05
07



A0507

Engine covers & gaskets, front



			Inglese
1	4218314M91		1 Crankcase
2	3653865M1	M8x55	11 Bolt
3	3653853M1	M6x16	2 Bolt
4	3653808M1	8s	5 Washer
5	4218170M1		2 Connection
6	4216143M1	! 1	1 Ring
7	4215980M1		1 Coperch.
8	3666905M1	M8	3 Nut
9	3666895M1	M8x55	11 Bolt
10	3653841M1	1a s24.0	1 O ring
		T-A 0:25	
11	3653858M1	M8x16	7 Bolt
12	4218164M1		1 Flange
13	4215973M1	M8x25	3 Bolt
14	3653315M1	T-A 0:25	1 Plug
15	3653320M1	T-A 0:50	1 Cover
16	3653789M1		2 Bush
17	3677944M1	P16	2 Ring
18	3653835M1	1a p32.0	1 O ring
		T-A 0:25	
19	3664450M1	M8x85	3 Bolt
20	3653310M1	T-A 4:75	1 O ring
!	This is a component of an assembly		
T-A	Replacement		

Engine

GM tier 3 (2009-) - RS12 - 55

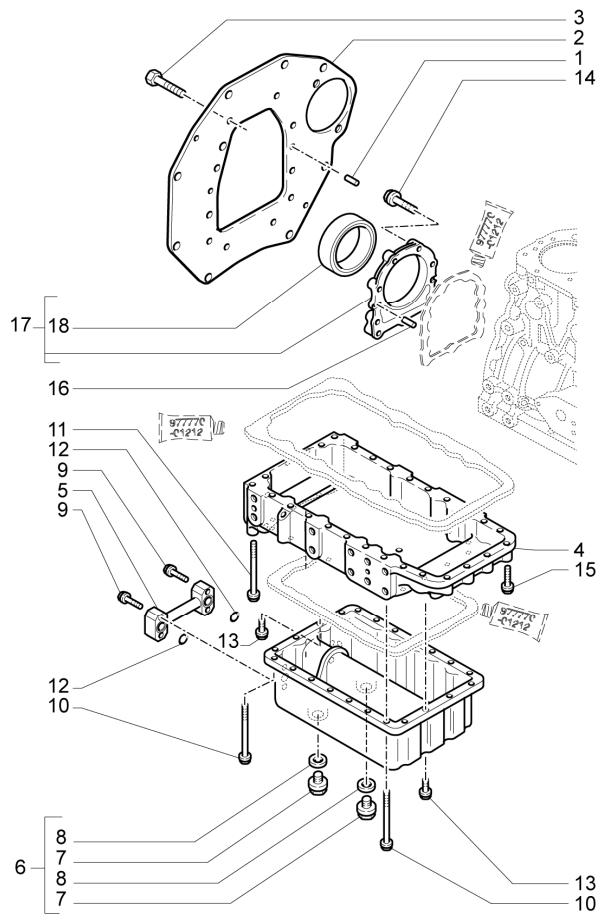
RS12\000015560.png

A-05
08



A0508

Oil sump & related parts



		Inglese	
1	3653378M1	M8x16	2 Dowel
2	3653357M1	T-A 11:25	1 Flange
3	3653872M1	M10x20	8 Bolt
4	3653759M1	T-A 5:75	1 Spacer
5	3653358M1	T-A 5:75	1 Spacer
6	3653760M1	T-A 5:75	1 Pan
7	3653253M1	! 6 M16 T-A 0:50	2 Plug
8	3653811M1	! 6 Ø 16mm	2 Seal
9	3653862M1	M8x40	4 Bolt
10	3653351M1	M8x100	14 Bolt
11	3653352M1	M8x120	4 Bolt
12	3653834M1	T-A 5:75	2 O ring
13	3653860M1	M8x25	8 Bolt
14	3653772M1	M8x30	9 Bolt
15	3653864M1	M8x50	8 Bolt
16	3653378M1	M8x16	2 Dowel
17	3653379M1	● 4206673M1(1) T-A 10:75	1 Housing
18	3653787M1	! 17 ● 3653787M2(1) (X) T-A 10:75	1 Seal

Engine

GM tier 3 (2009-) - RS12 - 55

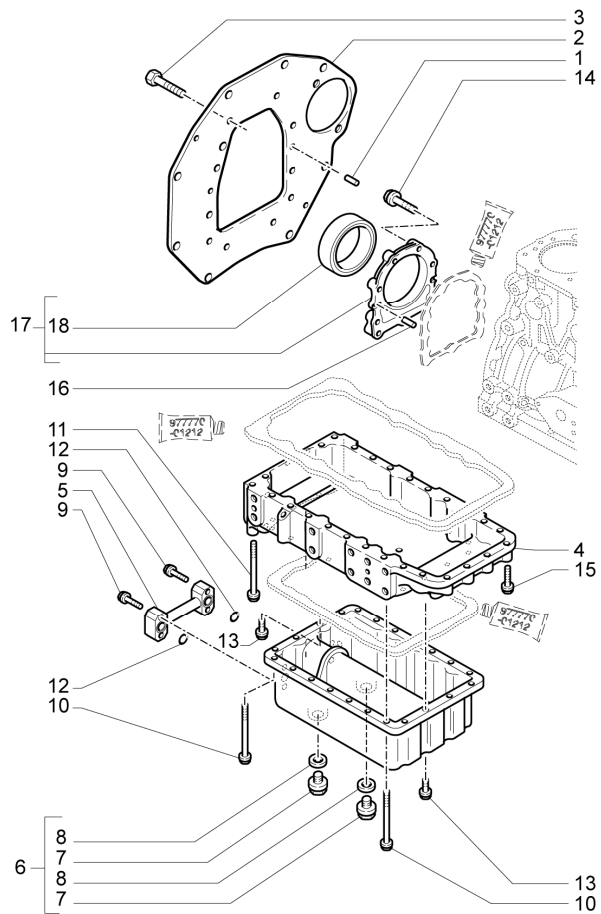
RS12\000015560.png

A-05
08



A0508

Oil sump & related parts



- ! This is a component of an assembly
- ∅ Diameter
- Replacement
- (X) Qty per tractors sold (aa.bbb.ccc.ddd) (aa) for 1,(bbb) 2-10 (ccc) 11-25 (ddd) 26-50
- T-A Replacement

Engine

GM tier 3 (2009-) - RS12 - 55

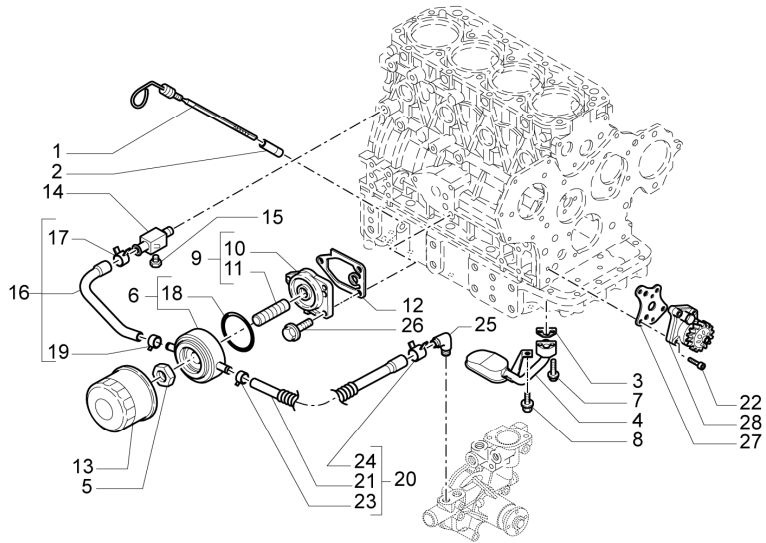
RS12\000015561.png

**A-05
09**



A0509

Pump, engine oil & related parts / filter, engine oil - lines - dipstick - piping



				Inglese
1	3653766M1	T-A 0:25		1 Rod
2	3653306M1			1 Guide
3	3653456M2			1 Gasket
4	3653767M1	T-A 6:0		1 Pipe
5	3693924M1	T-A 0:25		1 Nut
6	3678269M1	T-A 0:50		1 Exchanger
7	3653861M1	M8x35		2 Bolt
8	3653847M1	M8x16		1 Bolt
9	3678026M1			1 Stirrup
10	3677982M1	! 9		1 Stirrup
		T-A 0:50		
11	3693925M1	! 9		1 Stud
		◀▶ 67mm		
12	3653458M1	T-A 0:50		1 Gasket
13	3678034M2			1 Filter
14	3678027M1			1 Union
15	3653797M1			1 Plug
16	3678271M1	T-A 0:25		1 Pipe
17	3678299M1	! 16		1 Clamp
18	4218215M1	! 6		1 Ring
19	3678305M1	! 16		1 Clamp
20	3678272M1	T-A 0:25		1 Pipe
21	3677988M1	! 20		1 Guard
		T-A 0:50		
22	3653858M1	M6x25		4 Bolt

Engine

GM tier 3 (2009-) - RS12 - 55

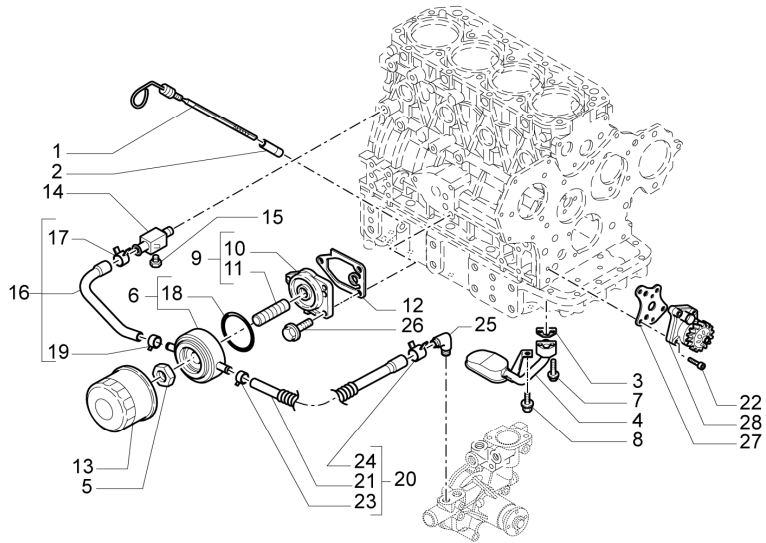
RS12\000015561.png

A-05
09



A0509

Pump, engine oil & related parts / filter, engine oil - lines - dipstick - piping



Inglese

23	3678305M1	!	20	1	Clamp
24	3678299M1	!	20	1	Clamp
25	3678033M1			1	Elbow
26	3653859M1		M8x20	3	Bolt
			T-A 0:25		
27	3653455M1			1	Gasket
28	4218175M91			1	Pump

- ! This is a component of an assembly
- ◄ Length
- T-A Replacement

Engine

GM tier 3 (2009-) - RS12 - 55

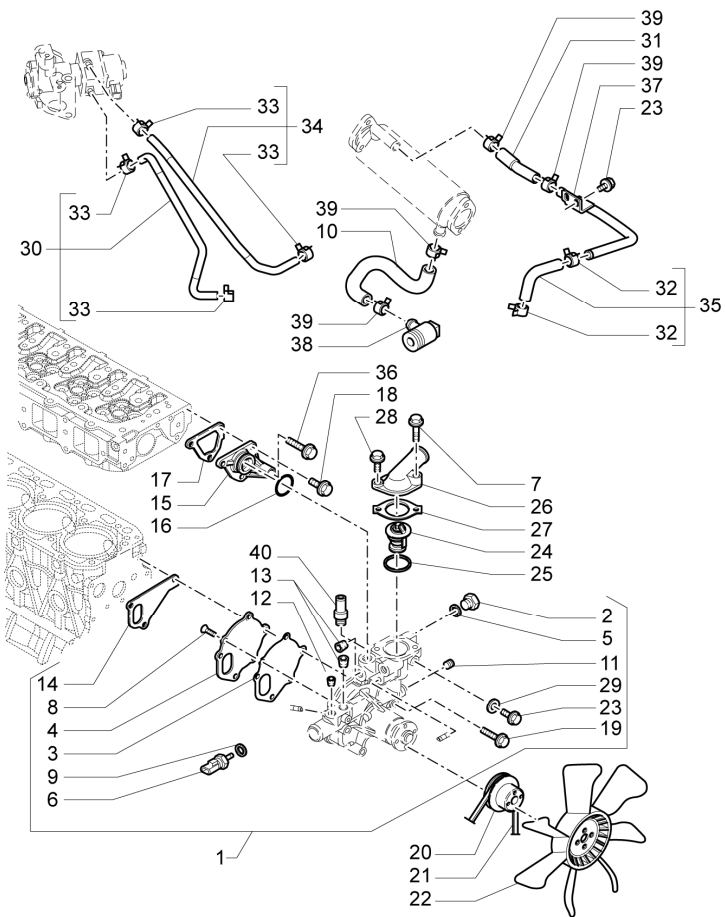
RS12\000015562.png

A-05
10



A0510

Water pump, support & thermostat/fan, pulley & belt



		Inglese
1	4218245M91	1 Pump
2	4216881M1	M16 1 Plug
3	3678031M1	! 1 1 Gasket
4	3678032M1	! 1 1 Disc
5	3653324M1	Ø 16mm 1 Gasket
6	4216882M1	1 Bulb
7	3653861M1	M8x35 1 Bolt
8	3678000M1	! 1 3 Screw
9	3653810M1	Ø 12mm 1 Washer
10	4218265M1	1 Pipe
11	3665017M1	! 1 1 Plug
12	3678308M1	! 1 1/8 1 Plug
13	3678297M1	! 1 1/4 2 Plug
14	3664547M1	T-A 2:50 1 Gasket
15	3678017M1	T-A 2:50 1 Gasket
16	3664548M1	T-A 2:50 1 Ring
17	3664432M1	T-A 2:50 1 Gasket
18	3653858M1	M8x16 3 Bolt
19	3653866M1	M8x60 3 Bolt
20	3674556M1	1 Pulley
21	4218173M1	1 Belt
22	4218169M1	1 Fan
23	3653856M1	M8x12 3 Bolt

Engine

GM tier 3 (2009-) - RS12 - 55

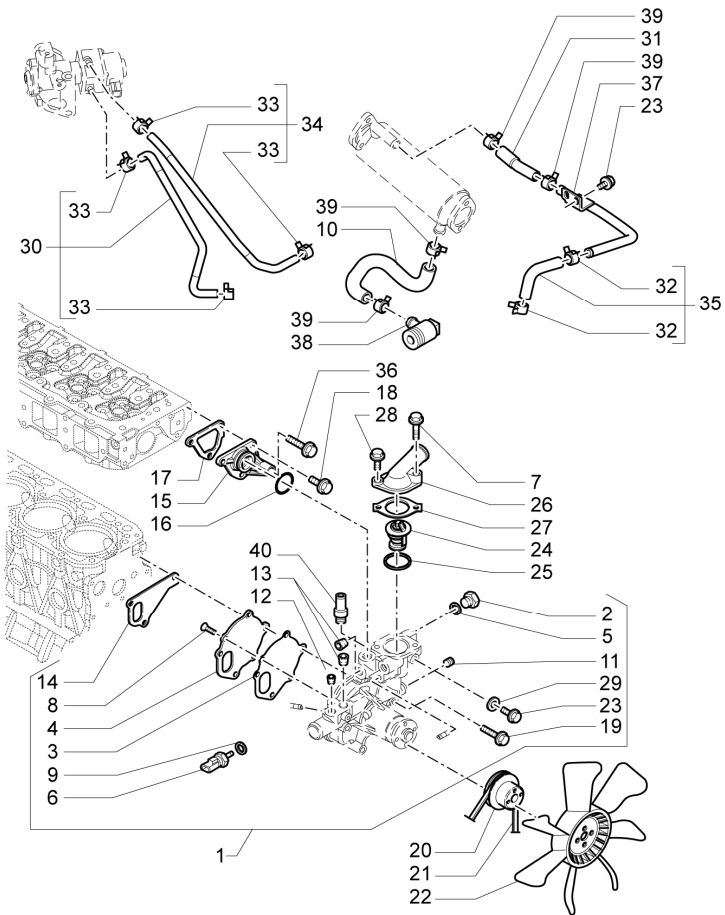
RS12\000015562.png

A-05
10



A0510

Water pump, support & thermostat/fan, pulley & belt



				Inglese
24	3693923M1	(X)	1.3.6.1	1 Thermostat
			T-A 0:50	
25	3653463M1		T-A 0:50	1 Gasket
26	4218214M1			1 Cover
27	3653795M1		T-A 0:50	1 Gasket
28	3653860M1		M8x25	1 Bolt
29	3653822M1		Ø 8mm	1 Gasket
30	4218248M91			1 Connection
31	4218264M1			1 Pipe
32	3678299M1	!	35	2 Clamp
33	4216886M1	!	30-34	2 Clamp
34	4218357M91			1 Pipe
35	4218250M91			1 Pipe
36	3653863M1		M8x45	1 Bolt
37	4218249M1			1 Stirrup
38	4218246M1		M6x45	1 Connection
39	4217737M1			4 Retainer
40	4218247M1	!	1	1 Sleeve
! This is a component of an assembly				
Ø Diameter				
(X) Qty per tractors sold (aa.bbb.ccc.ddd) (aa) for 1,(bbb) 2-10 (ccc) 11-25 (ddd) 26-50				
T-A Replacement				

Engine

GM tier 3 (2009-) - RS12 - 55

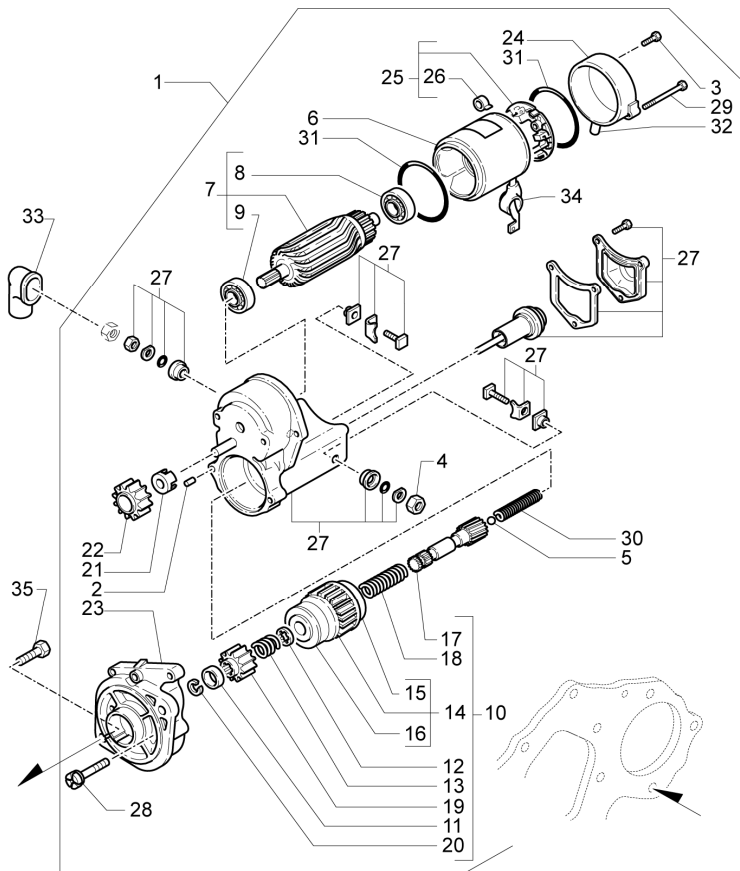
RS12\000015572.png

A-05
12



A0512

Starter motor



1	3653745M1	T-A	1:0
		T-B	2:75
2	3653910M1	!	1
3	3653426M1	!	1
4	3653912M1	!	1
5	3653913M1	!	1
		T-A	2:75
6	3653746M1	!	1
		T-A	2:75
7	3653747M1	!	1
		T-A	2:75
8	3653404M1	!	7
		T-A	2:75
9	3653405M1	!	7
		T-A	2:75
10	3653748M1	!	1
11	3653909M1	!	10
12	3653911M1	!	10
		T-A	2:75
13	3653914M1	!	10
		T-A	2:75
14	3653752M1	!	10
		T-A	2:75
15	3653424M1	!	14
		T-A	2:75

Inglese

1	Startermotor
5	Roller
2	Screw
1	Nut
1	Ball
1	Housing
1	Armature
1	Cuscinet
1	Cuscinet
1	Kit
1	Nut
1	Clip
1	Spring
1	Clutch
1	Cuscinet

Engine

GM tier 3 (2009-) - RS12 - 55

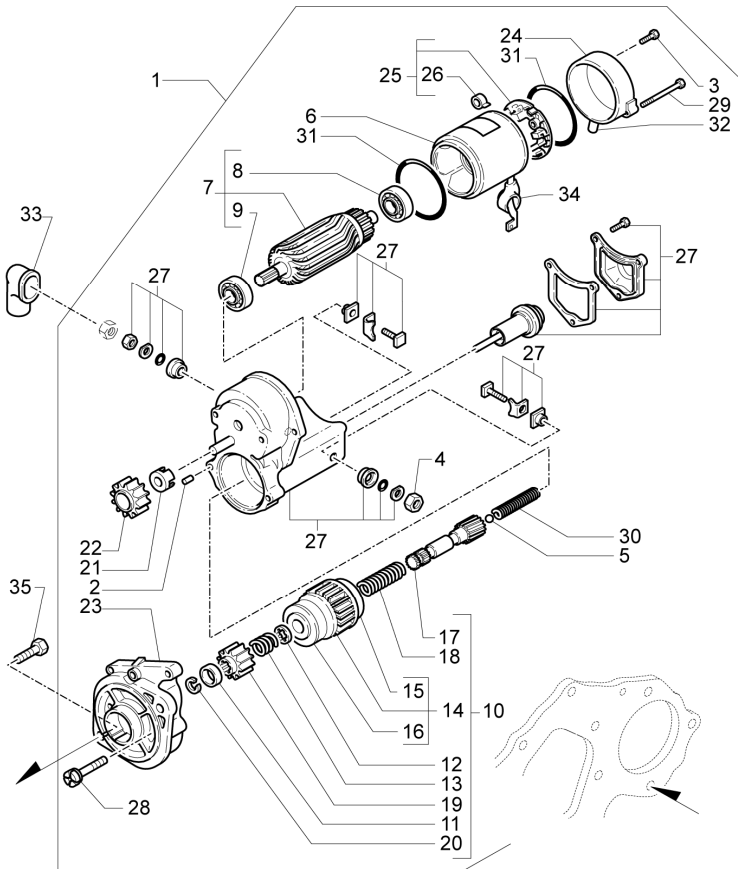
RS12\000015572.png

A-05
12



A0512

Starter motor



				Inglese
16	3653425M1	!	14	1 Cuscinet
		T-A	2:75	
17	3653420M1	!	10	1 Shaft
		T-A	2:75	
18	3653421M1	!	10	1 Spring
		T-A	2:75	
19	3653422M1	!	10	1 Pinion
		T-A	2:75	
20	3653423M1	!	10	1 Ring
		T-A	2:75	
21	3653407M1	!	1	1 Clip
		T-A	2:75	
22	3653408M1	!	1	1 Pinion
		T-A	2:75	
23	3664475M1	!	1	1 Housing
		T-A	2:75	
24	3678039M1	!	1	1 Guard
		T-A	2:75	
25	3653749M1	!	1	1 Support
		T-A	2:75	
26	3653915M1	!	25	4 Spring
		T-A	2:75	
27	3653750M1	!	1	1 Switch,indirect
		T-A	2:75	

Engine

GM tier 3 (2009-) - RS12 - 55

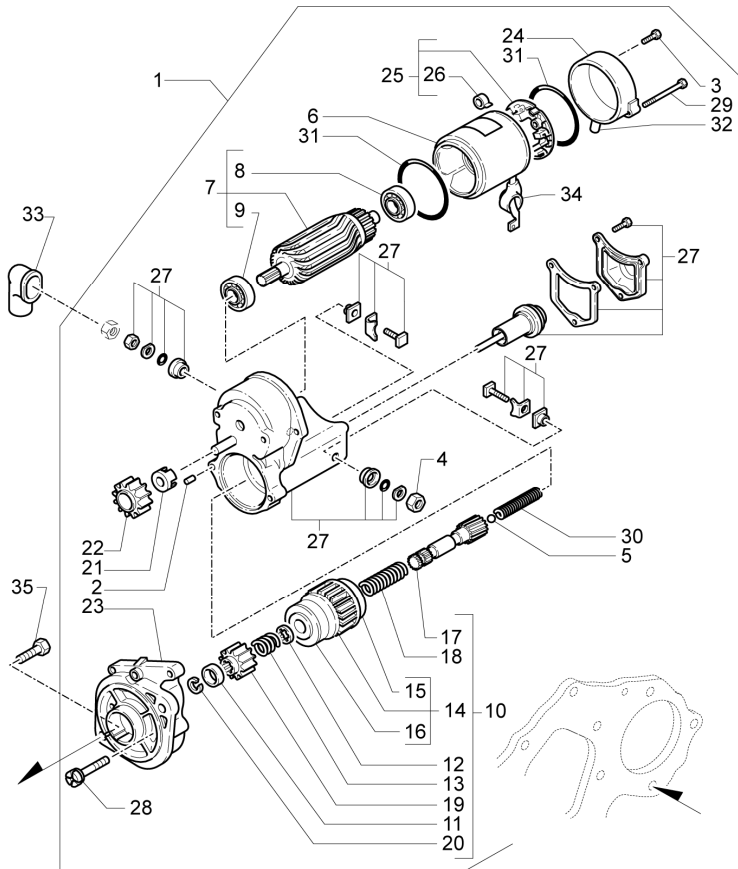
RS12\000015572.png

A-05
12



A0512

Starter motor



Inglese

28	3653413M1	!	1	2 Bolt
			M12x25	
		T-A	2:75	
29	3653751M1	!	1	2 Bolt
30	3653415M1	!	1	1 Spring
		T-A	2:75	
31	3653416M1	!	1	2 O ring
		T-A	2:75	
32	3653417M1	!	1	1 Coperch.
		T-A	2:75	
33	3653329M1	T-A	0:50	1 Coperch.
34	3653418M1	!	1	1 Plug
35	3653871M1		M12x20	1 Bolt

! This is a component of an assembly
T-A Replacement
T-B Overhaul

Engine

GM tier 3 (2009-) - RS12 - 55

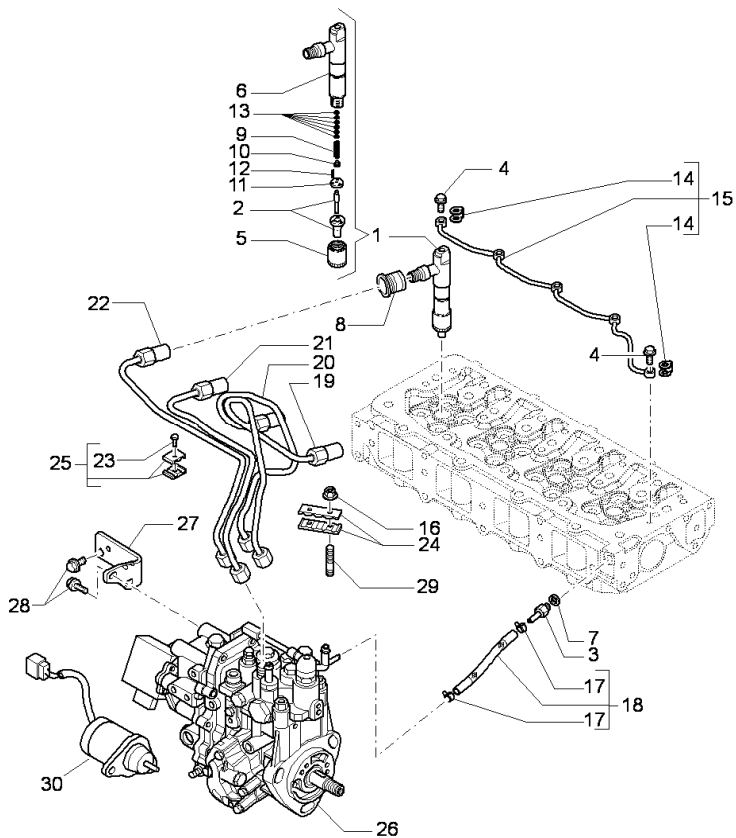
RS12\000015563.png

A-05
13



A0513

Fuel system, fuel injection pump, injectors



		Inglese	
1	4218312M91		4 Nozzle
2	4218232M91	! 1	4 Valve
3	3678006M1		1 Union
4	3678004M1		5 Bolt
5	3653255M1	! 1	4 Nut
6	3678275M1	T-A 3:0	4 Support
7	3653808M1	! 1	1 Washer
8	3678002M1	T-A 3:0	4 Pipe
9	3653256M1	! 1	4 Spring
10	3653257M1	T-A 3:0	4 Nameplate
11	3653258M1	! 1	4 Retainer
12	3653259M1	T-A 3:0	8 Pin
13	3653260M1	! 1	4 Kit
	● 3653260M2(4)	T-A 3:0	
14	3678005M1	! 15	5 Union
		T-A 0:50	
15	3678277M1	T-A 0:50	1 Pipe
16	3678276M1	M6	2 Pipe
		T-A 0:50	

Engine

GM tier 3 (2009-) - RS12 - 55

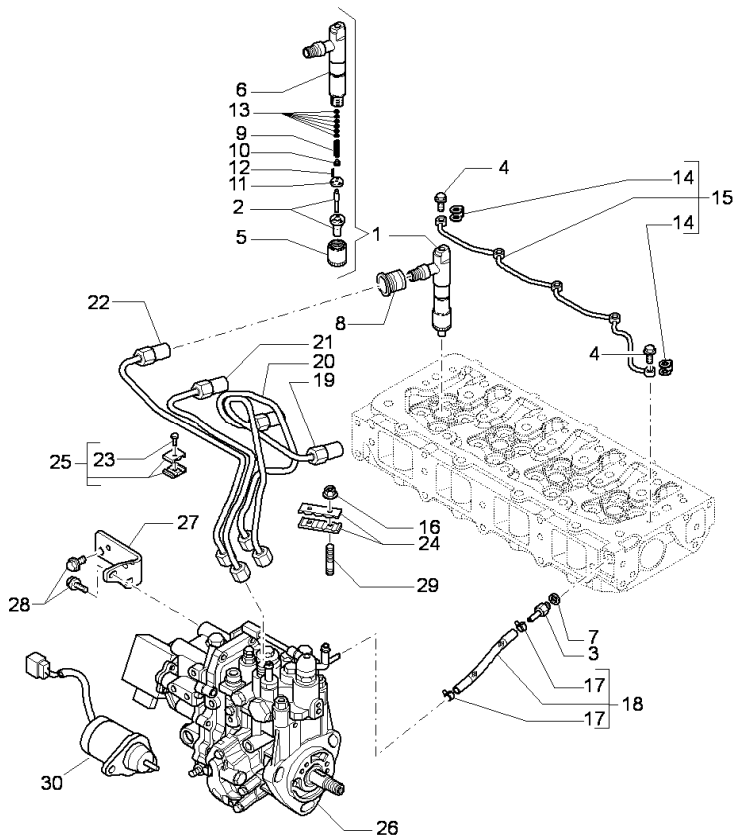
RS12\000015563.png

**A-05
13**



A0513

Fuel system, fuel injection pump, injectors



		Inglese	
17	3678010M1 !	18	2 Clamp
18	4218231M91		1 Pipe
19	4218269M1 ● 6510398M1(1)		1 Pipe
20	4218268M1		1 Pipe
21	4218267M1		1 Pipe
22	4218266M1		1 Pipe
23	3653465M1 !	25	2 Bolt
		M4x14	
24	4218162M1		2 Stirrup
25	3653263M1 T-A	0:25	2 Clip
26	4218313M91		1 Injection pump
27	4218174M1		1 Stirrup
28	3653858M1	M8x16	4 Bolt
29	⊕ A-05 15 18		2 Dowel pin
30	3653268M1 !	26	1 Solenoid
! This is a component of an assembly			
⊕ See page - reference number			
● Replacement			
T-A Replacement			

Engine

GM tier 3 (2009-) - RS12 - 55

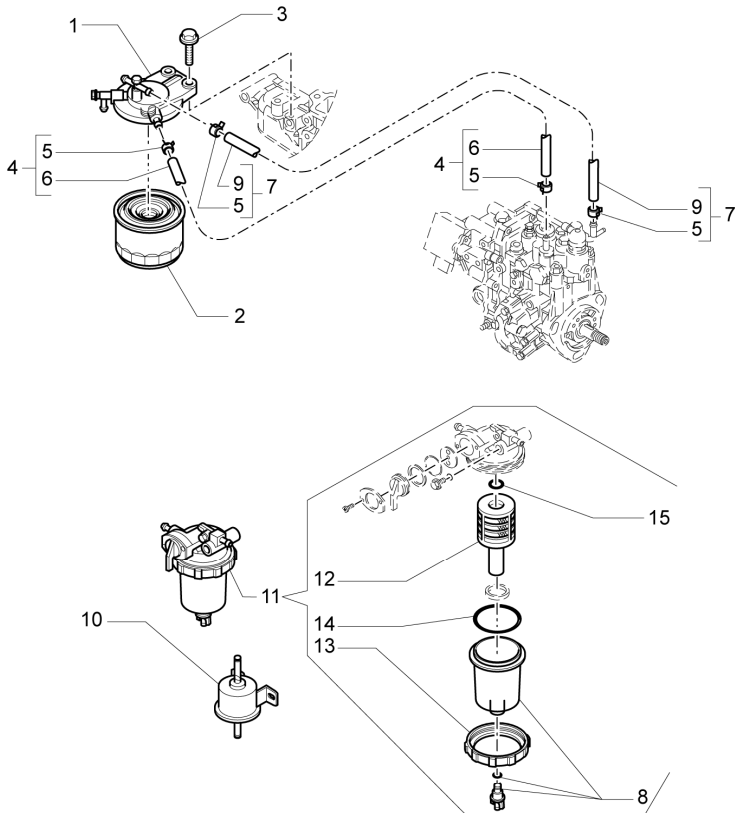
RS12\000015567.png

A-05
14



A0514

Fuel system and filter



		Inglese
1	3678022M2	1 Stirrup
2	3677987M2	1 Filter
3	3666895M1 M8x30	2 Bolt
4	4218171M91	1 Pipe
5	3653332M1 ! 4-7	1 Clamp
6	4218172M1 ! 4	1 Pipe
7	3678036M1 T-A 0:50	1 Pipe
8	4216358M91 ! 11	1 Pan
9	3678289M1 ! 7	1 Pipe
	T-A 0:50	
10	3677942M1 T-A 0:25	1 Pump
11	3677985M1 T-A 0:50	1 Separator
12	3677986M1 ! 11	1 Element
	(X) 1.3.6.1	
	T-A 0:25	
13	3653393M1 ! 11	1 Ring
14	3653838M1 ! 11	1 O ring
	1a g65.0	
15	3653833M1 ! 11	1 O ring
	1a p16.0	
	T-A 0:50	
! This is a component of an assembly		
(X) Qty per tractors sold (aa.bbb.ccc.ddd) (aa) for 1,(bbb) 2-10 (ccc) 11-25 (ddd) 26-50		
T-A Replacement		

Engine

GM tier 3 (2009-) - RS12 - 55

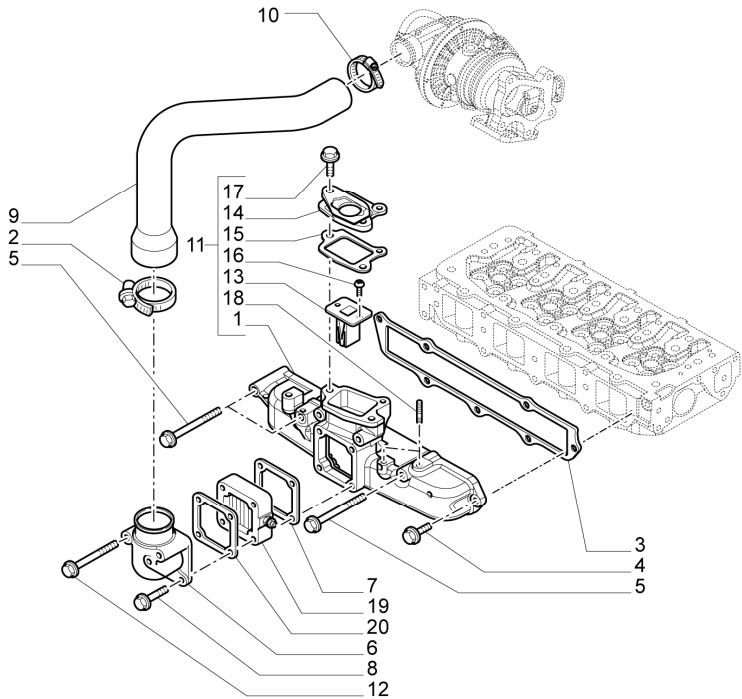
RS12\000015568.png

A-05
15



A0515

Induction manifold



				Inglese
1	4218235M1	!	11	1 Body
2	4218302M1	Ø	70mm	1 Clamp
3	3678259M1	(X)	1.3.5.1 T-A 0:75	1 Gasket
4	3653859M1		M8x20	4 Bolt
5	4217703M1		M8x70	3 Bolt
6	4218275M1			1 Elbow
7	3653467M1	T-A	0:25	1 Gasket
8	3653862M1		M8x40	2 Bolt
9	4218234M1			1 Pipe
10	4217701M1	Ø	54mm	1 Clamp
11	4218236M91			1 Kit
12	3653868M1		M8x80	1 Bolt
13	4218219M1	!	11	1 Valve
14	4218220M1	!	11	1 Shim
15	4218228M1	!	11	1 Gasket
16	4217970M1	!	11	2 Screw
			M5x16	
17	3653859M1	!	11	1 Bolt
			M8x20	
18	4218306M1	!	11	2 Screw
			M8x25	
19	4218166M91			1 Heater
20	4218167M1			1 Gasket

! This is a component of an assembly



Suggest:

For more complete manuals. Please go to the home page.

<https://www.ebooklibonline.com>

If the above button click is invalid. Please download this document first, and then click the above link to download the complete manual.

Thank you so much for reading

Engine

GM tier 3 (2009-) - RS12 - 55

RS12\000015568.png

A-05
15



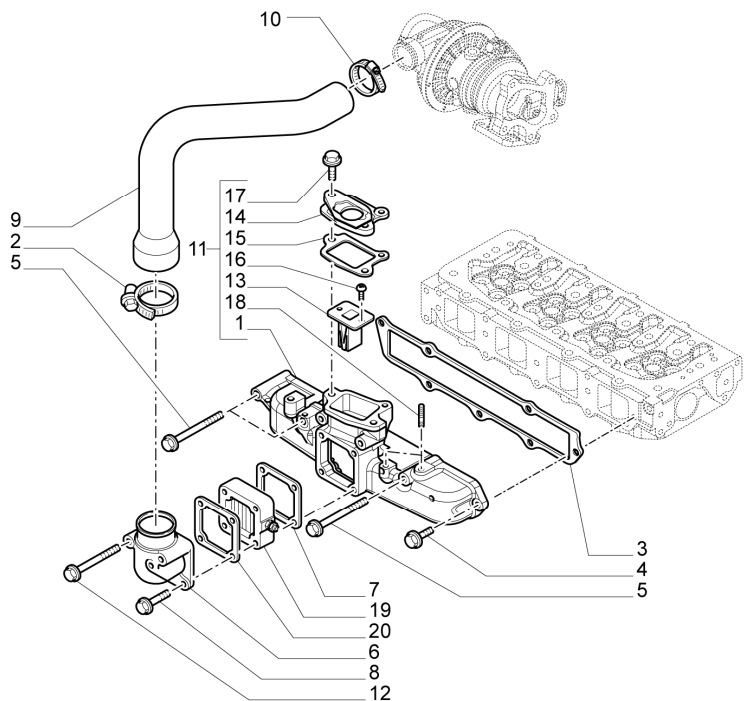
A0515

Induction manifold

Ø Diameter

(X) Qty per tractors sold (aa.bbb.ccc.ddd) (aa) for 1,(bbb) 2-10 (ccc) 11-25 (ddd) 26-50

T-A Replacement



Engine

GM tier 3 (2009-) - RS12 - 55

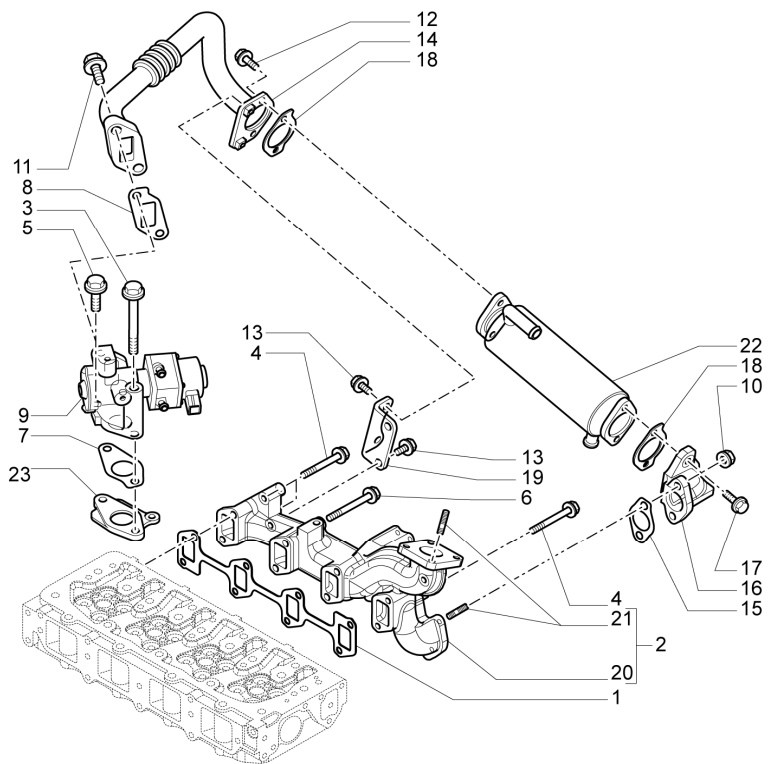
RS12\000015570.png

A-05
16



A0516

Exhaust manifold and egr valve



				Inglese
1	3678292M1	(X)	1.3.6.1	1 Gasket
		T-A	0:75	
2	4218238M91			1 Manifold
3	4217706M1		M8x22	1 Bolt
4	3677972M1		M8x65	3 Bolt
5	4217705M1		M8x85	1 Bolt
6	4218021M1		M8x75	5 Bolt
7	4216622M1			1 Gasket
8	4216621M1			1 Gasket
9	4216620M1			1 Valve
10	3666905M1		M8	2 Nut
11	4216619M1		M10x30	1 Screw
12	3653859M1		M8x20	2 Bolt
13	3653858M1		M8x16	4 Bolt
14	4218240M1			1 Pipe
15	4216471M1			1 Gasket
16	4218273M1			1 Pipe
17	4217642M1			1 Bolt
18	4217664M1			2 Gasket
19	4218239M1			1 Stirrup
20	4218237M1	!	2	1 Body
21	3693926M1	!	2	6 Stud
			M8x20	
22	4218218M1			1 Gasket
23		⊕	A-05 15 14	1 Shim

<https://www.ebooklibonline.com>

Hello dear friend!

Thank you very much for reading.

Enter the link into your browser.

The full manual is available for immediate download.

<https://www.ebooklibonline.com>