

Engine

GM tier 3 (2009-) - RS12 - 50

RS12\00012554.png

A-05
01

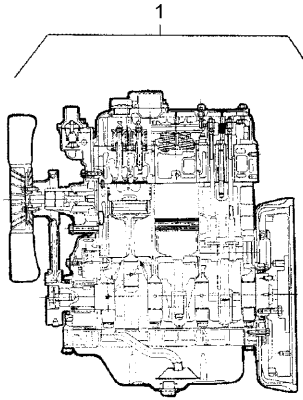


A0501

Engine assembly - engine yanmar tipo " 4tnv88 - klan "

Inglese

- 1 3669988M93 ● 3669988M94(1) 1 Engine
- Replacement



Engine

GM tier 3 (2009-) - RS12 - 50

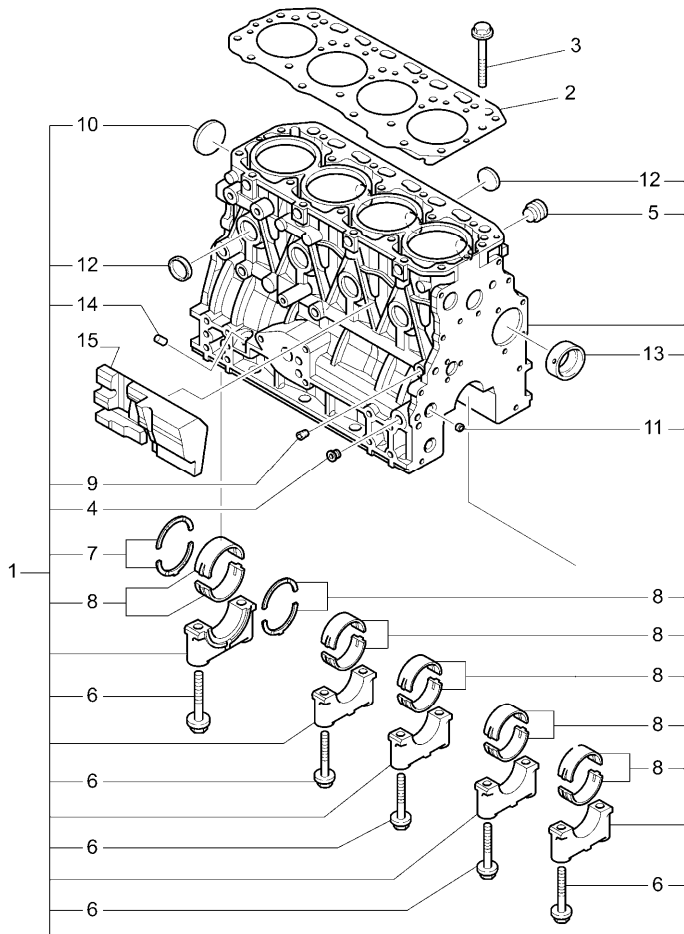
RS12\00012555.png

A-05
02



A0502

Cylinder block & related parts



				Inglese
1	3681363M1	T-A	33:50	1 Kit
2	3653740M1	(X)	1.3.6.1	1 Gasket
		T-A	5:50	
3	3653428M1			18 Stud
4	3653316M1	T-A	0:25	2 Plug
5	3653796M1	!	1	1 Plug
		T-A	0:25	
6	3653429M1	!	1	10 Bolt
7	3653432M1	!	1	2 Ring
		●	4215968M1(2)	
		T-A	16:50	
7	3653433M1	!	1	2 Ring
		●	4215970M1(2)	
		A		
		T-A	16:50	
8	3653431M1	!	1	5 Ring
		●	3653431M2(5)	
		B		
		T-A	16:50	
8	3680175M1	!	1	5 Kit
		●	4215967M1(1)	
		T-A	16:50	
9	3678007M1	!	1	1 Plug
		T-A	0:25	

Engine

GM tier 3 (2009-) - RS12 - 50

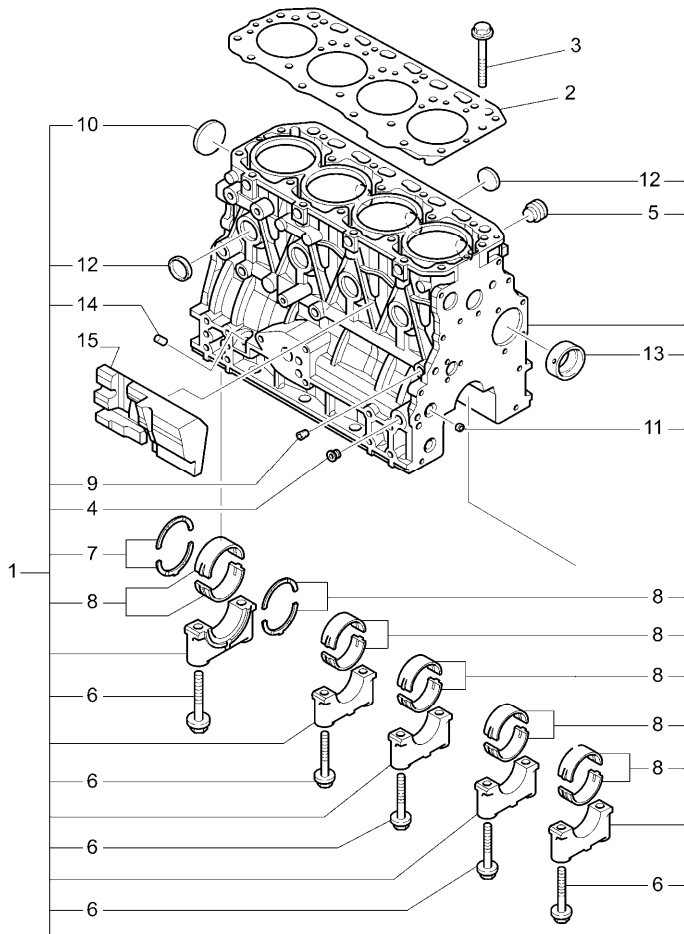
RS12\00012555.png

A-05
02



A0502

Cylinder block & related parts



				Inglese
10	3680174M1	!	1	1 Plug
	●		3664445M1(1)	
	T-A		0:75	
11	3653888M1	!	1	2 Plug
12	3653889M1	!	1	8 Plug
	●		3653889M2(8)	
	T-A		0:75	
13	3653791M1	!	1	1 Bearing
	T-A		31:0	
14	3677943M1	!	1	1 Plug
15	3678014M1	!	1	1 Spacer

! This is a component of an assembly

● Replacement

(X) Qty per tractors sold (aa.bbb.ccc.ddd) (aa) for 1,(bbb) 2-10 (ccc) 11-25 (ddd) 26-50

T-A Replacement

A Over-size (0,25mm) part.

B Under-size (0,25mm) part.

<https://www.ebooklibonline.com>

Hello dear friend!

Thank you very much for reading.

Enter the link into your browser.

The full manual is available for immediate download.

<https://www.ebooklibonline.com>

Engine

GM tier 3 (2009-) - RS12 - 50

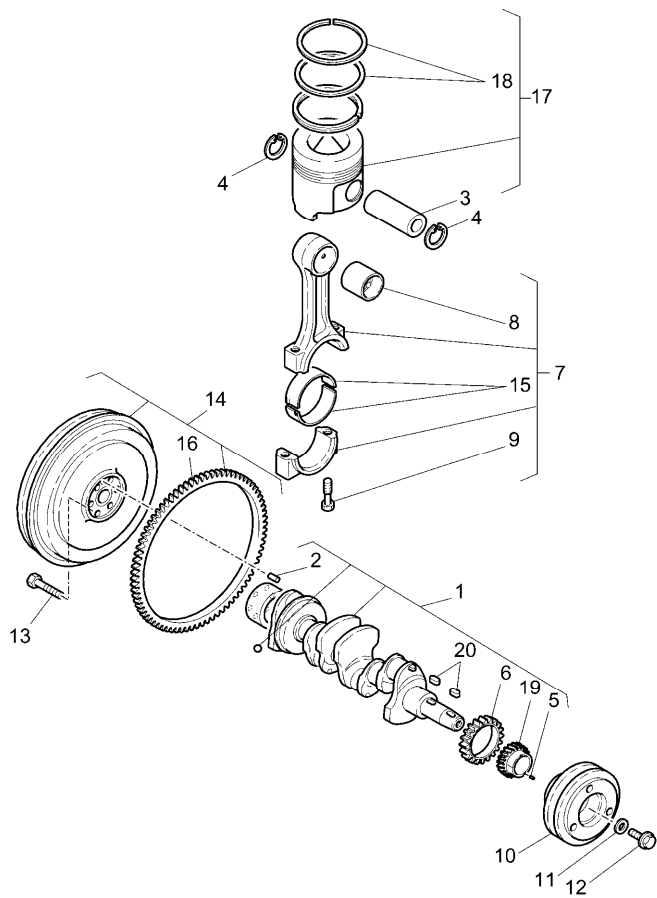
RS12\00012556.png

A-05
03



A0503

Crankshaft & flywheel - connecting rod - pistons



			Inglese
1	3680220M1	T-A 16:50	1 Shaft
2	3653378M1	! 1	1 Dowel
3	3653731M1	T-A 17:0	4 Cotter
4	3653815M1		8 Clip
5	3653308M1	! 1	1 Dowel
6	3664468M1	! 1	1 Gear
		T-A 20:0	
7	3653897M1	T-A 17:0	4 Conrod
8	3653383M1	! 7	4 Bearing
		T-A 17:0	
9	3653307M1	! 7	8 Bolt
10	3653763M1	● 4216750M1(1), 6510420M1(1)	1 Pulley
		T-A 2:0	
11	3653794M1		1 Washer
12	3653309M1		1 Bolt
13	3653301M1		6 Bolt
14	3653762M1	T-A 10:50	1 Flywheel
15	3653450M1	! 7	4 Bearing
		● 4216034M1(4)	
		T-A 17:0	
15	3653451M1	! 7	4 Bearing
		B	
		T-A 17:0	
16	3653297M1	! 14	1 Crownwheel
		T-A 10:25	

Engine

GM tier 3 (2009-) - RS12 - 50

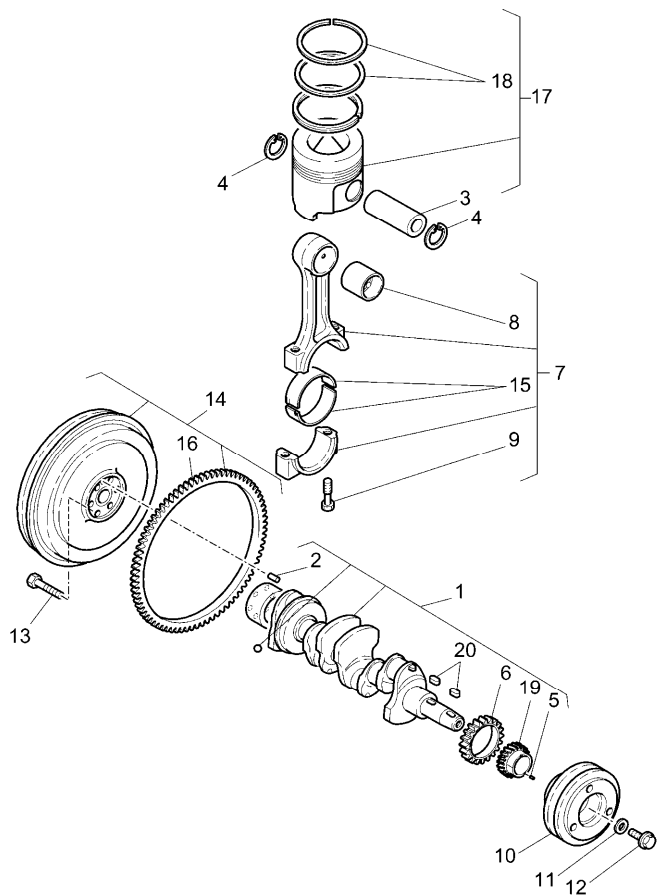
RS12\00012556.png

A-05
03



A0503

Crankshaft & flywheel - connecting rod - pistons



Inglese

17	3681365M1	T-A	17:50	4	Piston
17	3681367M1	A		4	Piston
18	3681366M1	!	17	4	Kit
		(X)	1.3.6.1		
		T-A	17:50		
18	3681368M1	!	17	4	Kit
		A			
		T-A	17:50		
19	3677974M1	!	1	1	Gear
		●	4206674M1(1)		
		T-A	20:0		
20	3653820M1	!	1	2	Key
!	This is a component of an assembly				
●	Replacement				
(X)	Qty per tractors sold (aa.bbb.ccc.ddd) (aa) for 1,(bbb) 2-10 (ccc) 11-25 (ddd) 26-50				
T-A	Replacement				
A	Over-size (0,25mm) part.				
B	Under-size (0,25mm) part.				

Engine

GM tier 3 (2009-) - RS12 - 50

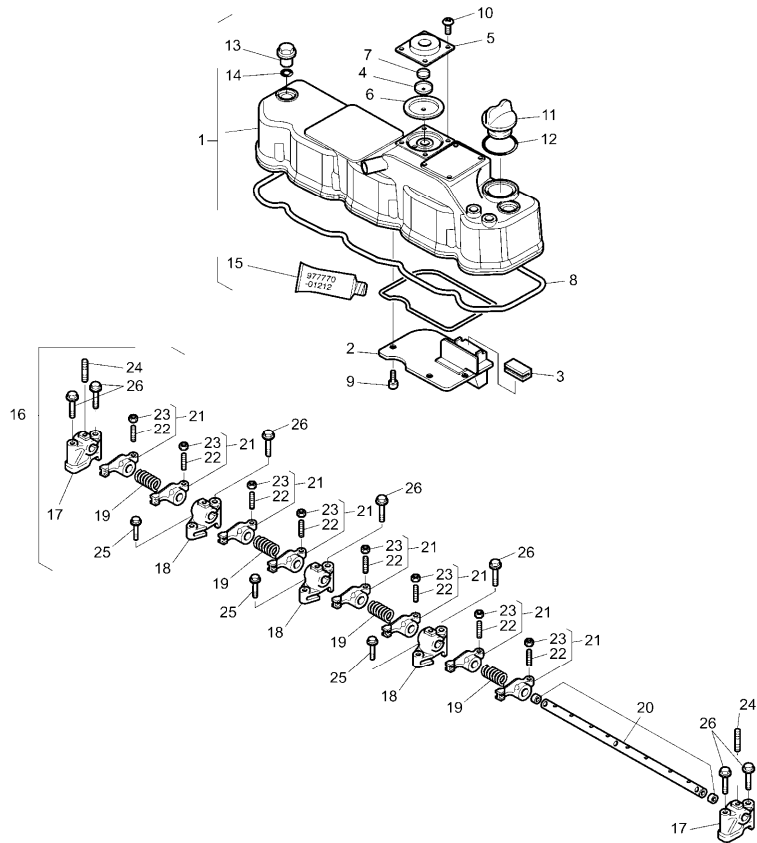
RS12\00012557.png

A-05
04



A0504

Cylinder head, injector sleeve & intake valve guide-rocker arm, cover & valves



				Inglese
1	3680190M1	T-A	1:50	1 Coperch.
2	3680191M1	!	1	1 Plate
3	3653435M1	!	1	1 Guard
4	3680210M1	!	1	1 Plate
5	3680211M1	!	1	1 Coperch.
6	3680212M1	!	1	1 Diaphragm
7	3680213M1	!	1	1 Spring
8	3680214M1	!	1	1 Gasket
		(X)	1.3.6.1	
		T-A	1:50	
9	3665010M1	!	1	4 Screw
			M5x10	
10	3665010M1	!	1	4 Screw
			M5x10	
11	3653315M1	!	1	1 Plug
		T-A	0:25	
12	3653835M1	!	1	1 O ring
13	3653317M1	!	1	3 Plug
14	3653831M1	!	1	3 O ring
15	3653908M1	!	1	1 Gasket
	●		3653908M2(1)	
16	3680184M1	T-A	2:75	1 Shaft
17	3680185M1	!	16	2 Support
		T-A	2:0	

Engine

GM tier 3 (2009-) - RS12 - 50

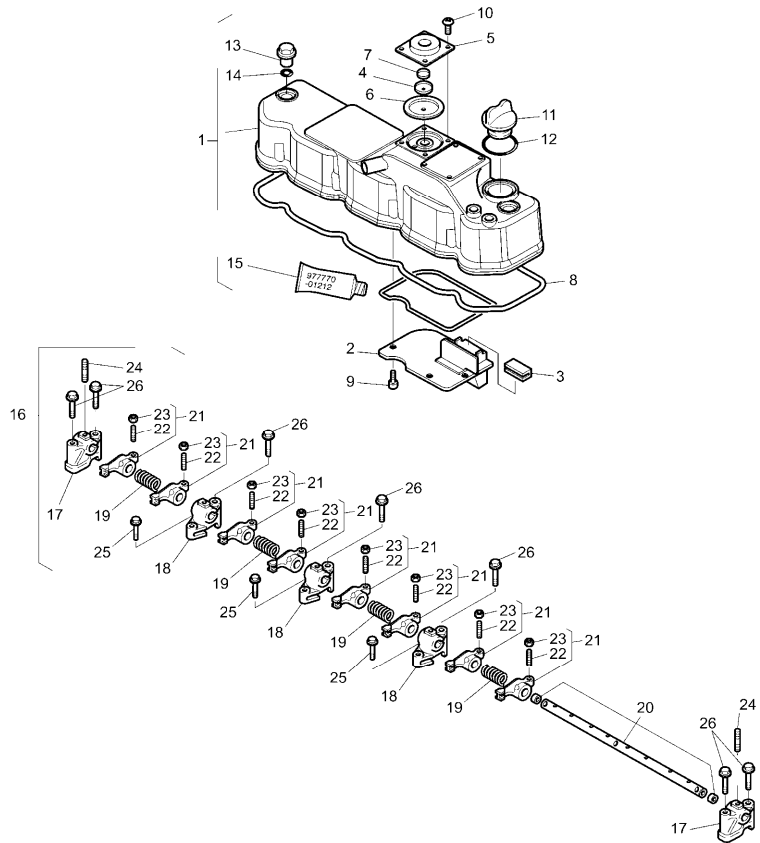
RS12\00012557.png

A-05
04



A0504

Cylinder head, injector sleeve & intake valve guide-rocker arm, cover & valves



				Inglese	
18	3680186M1	!	16	3	Support
		T-A	2:0		
19	3653440M1	!	16	4	Spring
20	3680187M1	!	16	1	Shaft
		T-A	2:75		
21	3680188M1	!	16	8	Cam
		T-A	2:0		
22	3653439M1	!	21	8	Screw
		T-A	1:50		
23	3653444M1	!	21	8	Nut
		T-A	1:50		
24	3653875M1	!	16	3	Bolt
			M8x18		
25	3653860M1	!	16	3	Bolt
			M8x25		
26	3653864M1	!	16	7	Bolt
			M8x50		

! This is a component of an assembly

● Replacement

(X) Qty per tractors sold (aa.bbb.ccc.ddd) (aa) for 1,(bbb) 2-10 (ccc) 11-25 (ddd) 26-50

T-A Replacement

Engine

GM tier 3 (2009-) - RS12 - 50

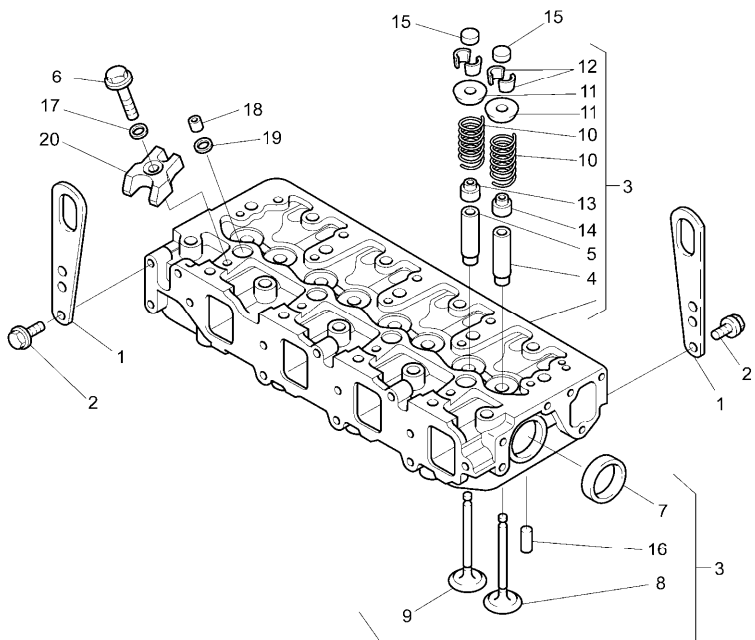
RS12\00012558.png

A-05
05



A0505

Cylinder head, injector sleeve & intake valve guide-rocker arm, cover & valves



		Inglese
1	3664580M1	2 Stirrup
2	3653857M1	4 Bolt
3	3683143M1	1 Head
	T-A 5:0	
	T-B 8:75	
4	3653298M1	4 Guide
	! 3	
	T-A 8:75	
5	3653445M1	4 Guide
	! 3	
	T-A 8:75	
6	3653861M1	4 Bolt
	! 3	
	M8x35	
7	3653890M1	2 Plug
	! 3	
	(X) 2.4.8.1	
8	3681364M1	3 Valve
	! 3	
	(X) 3.6.9.1	
	T-A 7:75	
9	3653381M1	3 Valve
	! 3	
	● 3653381M2(3)	
	(X)	
	T-A 7:75	
10	3653792M1	8 Spring
	! 3	
	T-A 7:75	
11	3653793M1	8 Nameplate
	! 3	
	T-A 7:75	
12	3680181M1	8 Clip
	! 3	
	T-A 7:75	

Engine

GM tier 3 (2009-) - RS12 - 50

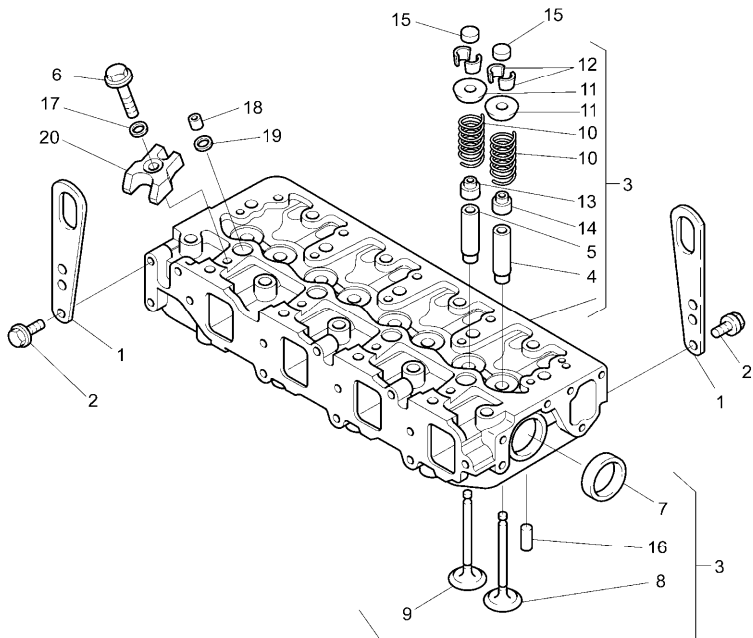
RS12\00012558.png

A-05
05



A0505

Cylinder head, injector sleeve & intake valve guide-rocker arm, cover & valves



		Inglese			
13	3653304M1	!	3	4	Thimble
		T-A	7:75		
14	3653323M1	!	3	4	Thimble
		T-A	7:75		
15	3653443M1	!	3	8	Shim
		T-A	7:75		
16	3653818M1	!	3	2	Pin
17	3680183M1	!	3	4	Washer
18	3677971M1	!	3	4	Guard
19	3653266M1	!	3	4	Washer
20	3680182M1	!	3	4	Clip
		T-A	0:25		

! This is a component of an assembly

● Replacement

(X) Qty per tractors sold (aa.bbb.ccc.ddd) (aa) for 1,(bbb) 2-10 (ccc) 11-25 (ddd) 26-50

T-A Replacement

T-B Overhaul

Engine

GM tier 3 (2009-) - RS12 - 50

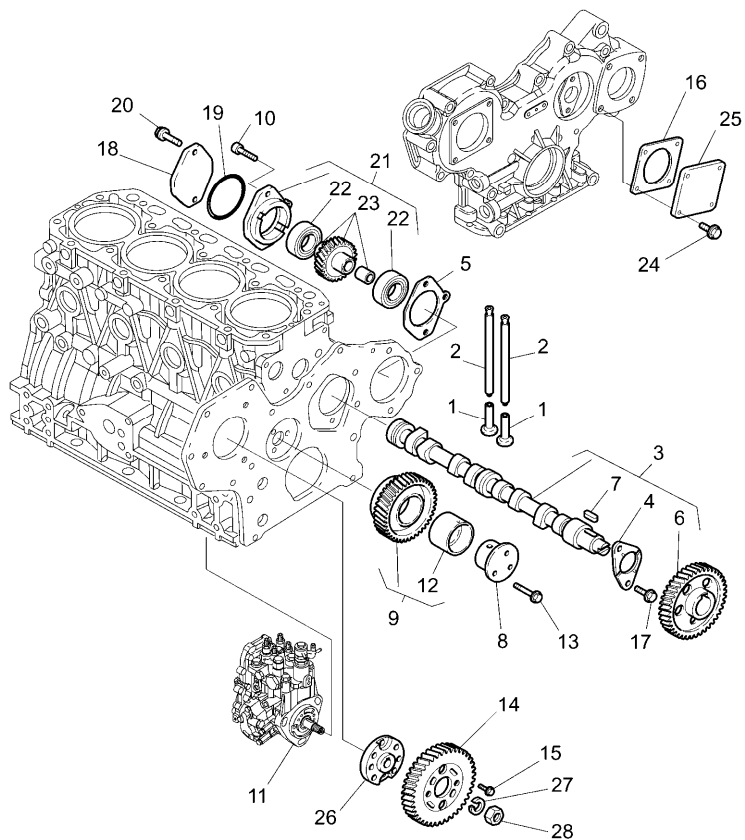
RS12\00012559.png

A-05
06



A0506

Timing gear and camshaft



				Inglese
1	3653447M1	T-A 31:0		8 Tappet
2	3653448M1	T-A 2:75		8 Rod
3	3653896M1	T-A 31:0		1 Shaft
4	3653430M1	! 3		1 Plate
		T-A 31:0		
5	3653800M1	T-A 1:0		1 Gasket
6	3653446M1	! 3		1 Gear
		T-A 31:0		
7	3653820M1	! 3		1 Key
		T-A 31:0		
8	3677975M1	T-A 9:50		1 Shaft
9	3677977M1	T-A 9:50		1 Gear
10	3653879M1	M8x28		1 Bolt
11		⊕ A-05 13 27		1 Pump
12	3677976M1	! 9		1 Bush
		T-A 9:50		
13	3653862M1	M8x40		3 Bolt
14	3677978M1	T-A 9:25		1 Gear
15	3664454M1			4 Screw
16	3653321M1	T-A 0:50		1 Gasket
17	3653857M1	M8x14		2 Bolt
18	3653300M1	T-A 0:50		1 Cover
19	3653839M1	T-A 0:50		1 O ring
20	3653869M1	M10x45		2 Bolt
21	3653363M1	T-A 1:0		1 Kit

Engine

GM tier 3 (2009-) - RS12 - 50

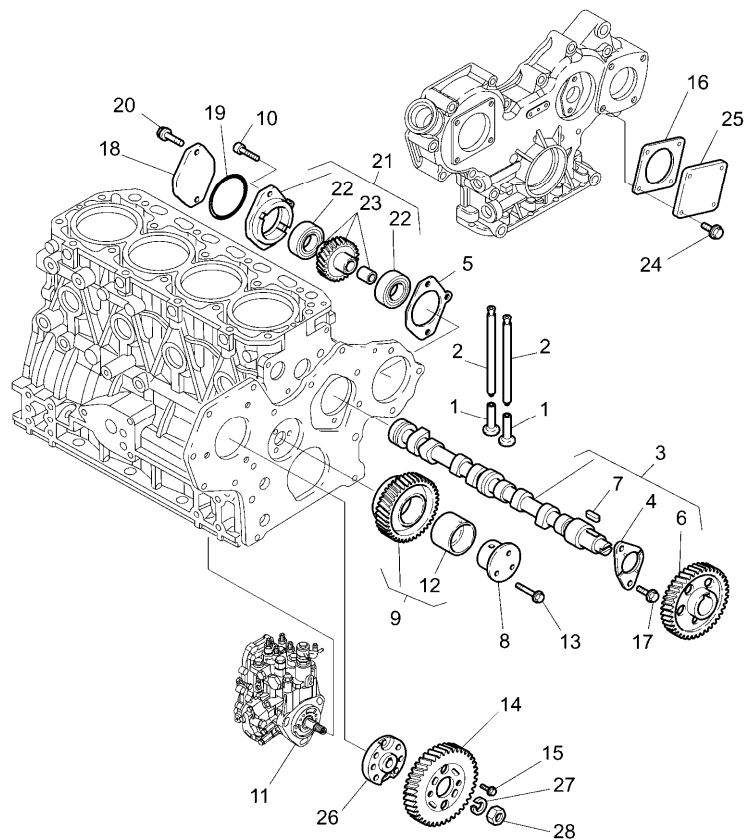
RS12\00012559.png

**A-05
06**



A0506

Timing gear and camshaft



- | | | | |
|----|-----------|-----|-------|
| 22 | 3653830M1 | ! | 21 |
| | | T-A | 1:50 |
| 23 | 3653364M1 | ! | 21 |
| | | T-A | 1:50 |
| 24 | 3653858M1 | | M8x16 |
| 25 | 3653320M1 | T-A | 0:50 |
| 26 | 3678298M1 | T-A | 9:25 |
| 27 | 3678300M1 | | |
| 28 | 3678315M1 | | |
- ! This is a component of an assembly
 ☞ See page - reference number
 T-A Replacement

Inglese

- 2 Bearing
- 1 Gear
- 4 Bolt
- 1 Cover
- 1 Flange
- 1 Washer
- 1 Nut

Engine

GM tier 3 (2009-) - RS12 - 50

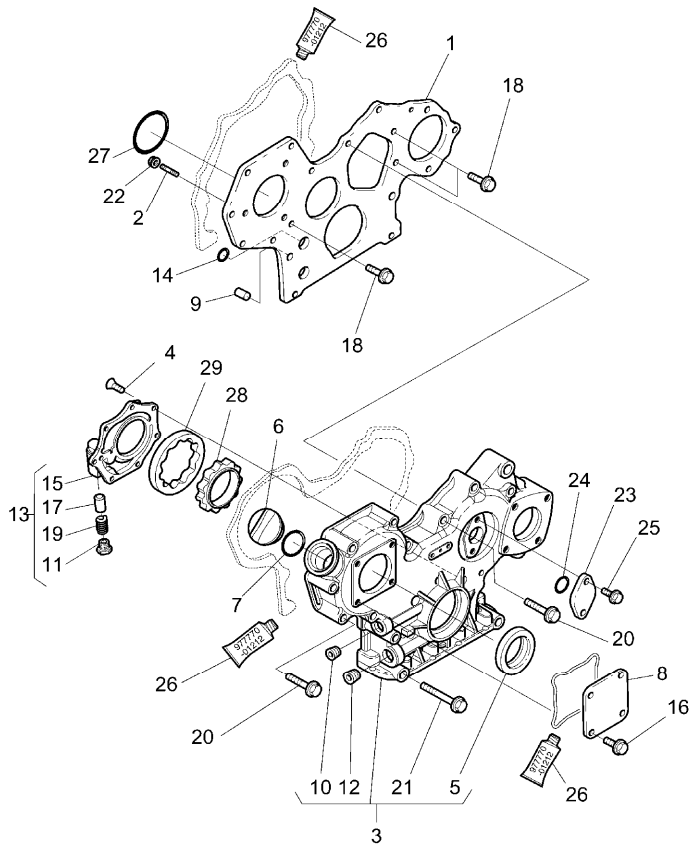
RS12\000012930.png

A-05
07



A0507

Engine covers & gaskets, front



				Inglese
1	3678023M1	T-A	4:75	1 Flange
2	3677969M1		M8x25	3 Stud
3	3680176M1	T-A	4:75	1 Coperch.
4	3677981M1		M6x16	7 Screw
5	3653788M1	!	3	1 Seal
			72x55x9	
		(X)	1.3.6.1	
		T-A	2:50	
6	3653315M1			1 Plug
7	3653835M1	!	6	1 O ring
		T-A	0:25	
8	3653320M1			1 Coperch.
9	3653789M1			2 Bush
10	3665018M1	!	3	1 Plug
11	3678013M1	!	13	1 Plug
12	3678309M1	!	3	1 Plug
13	3677980M1	T-A	4:75	1 Cover
14	3677944M1			4 Ring
15	3677979M1	!	13	1 Cover
16	3653858M1		M8x16	4 Bolt
17	3678295M1	!	13	1 Valve
		T-A	4:75	
18	3653858M1		M8x16	3 Bolt
19	3678043M1	!	13	1 Spring
20	3653865M1		M8x55	11 Bolt

Engine

GM tier 3 (2009-) - RS12 - 50

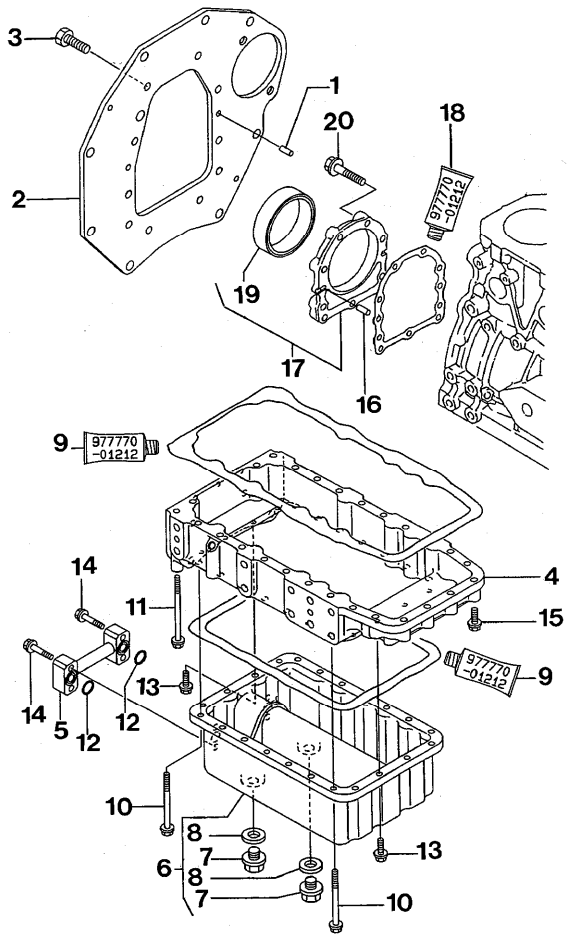
RS12\00001365.png

**A-05
08**



A0508

Oil sump & related parts



		Inglese
1	3653378M1	2 Dowel
2	3653357M1 T-A 11:25	1 Flange
3	3653872M1 M10x20	8 Bolt
4	3653759M1 T-A 5:75	1 Spacer
5	3653358M1 T-A 5:75	1 Spacer
6	3653760M1 T-A 5:75	1 Pan
7	3653253M1 ! 6	2 Plug
	T-A 0:50	
8	3653811M1 ! 6	2 Seal
9	3653908M1 ● 3653908M2(1) A	1 Gasket
10	3653351M1 M8x100	14 Bolt
11	3653352M1 M8x120	4 Bolt
12	3653834M1 T-A 5:75	2 O ring
13	3653860M1 M8x25	8 Bolt
14	3653862M1 M8x40	4 Bolt
15	3653864M1 M8x50	8 Bolt
16	3653378M1	2 Dowel
17	3653379M1 ● 4206673M1(1) T-A 10:75	1 Housing
18	3653908M1 ● 3653908M2(1) A T-A 10:75	1 Gasket

Engine

GM tier 3 (2009-) - RS12 - 50

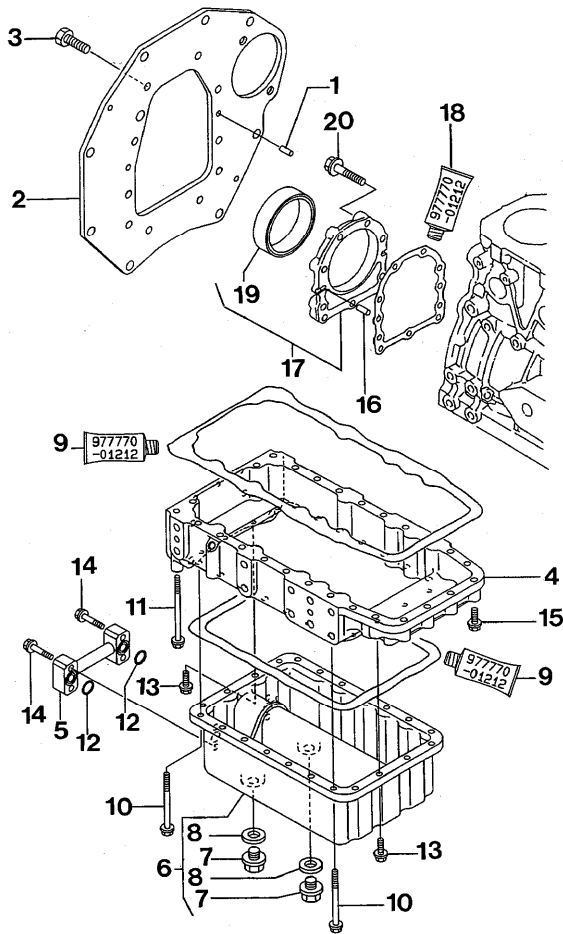
A-05
08



A0508

Oil sump & related parts

RS12\00001365.png



Inglese

19 3653787M1 ● 3653787M2(1) 1 Seal

(X)

T-A 10:75

20 3653772M1 M8x30 9 Bolt

! This is a component of an assembly

● Replacement

(X) Qty per tractors sold (aa.bbb.ccc.ddd) (aa) for 1,(bbb) 2-10 (ccc) 11-25 (ddd) 26-50

T-A Replacement

A For application, refer to workshop manual

Engine

GM tier 3 (2009-) - RS12 - 50

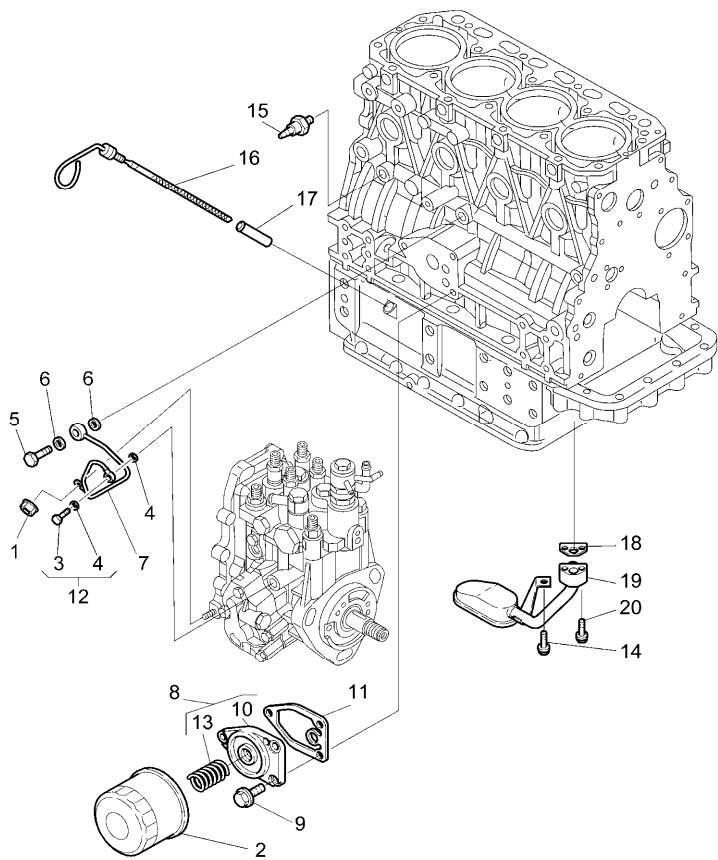
RS12\00012561.png

A-05
09



A0509

Pump, engine oil & related parts / filter, engine oil - lines - dipstick - piping



		Inglese
1	3653876M1	1 Nut
2	3678034M1	1 Filter
	● 3678034M2(1)	
	(X)	
	T-A 0:25	
3	3665013M1	1 Bolt
4	3653808M1	2 Washer
5	3653318M1	1 Bolt
6	3653809M1	2 Washer
7	3680223M1	1 Pipe
8	3680224M1	1 Stirrup
9	3653859M1	3 Bolt
	T-A 0:25	
10	3677982M1	1 Stirrup
11	3653458M1	1 Gasket
12	3678024M1	1 Bolt
13	3680225M1	1 Stud
14	3653847M1	1 Bolt
15	⊙ D-00 07 23	1 Bulb
	T-A 0:25	
16	3653766M1	1 Rod
17	3653306M1	1 Guide
18	3653456M1	1 Gasket
	● 3653456M2(1)	
	T-A 6:0	
19	3653767M1	1 Pipe
	T-A 6:0	
20	3653861M1	2 Bolt
	M8x35	

Engine

GM tier 3 (2009-) - RS12 - 50

A-05
09

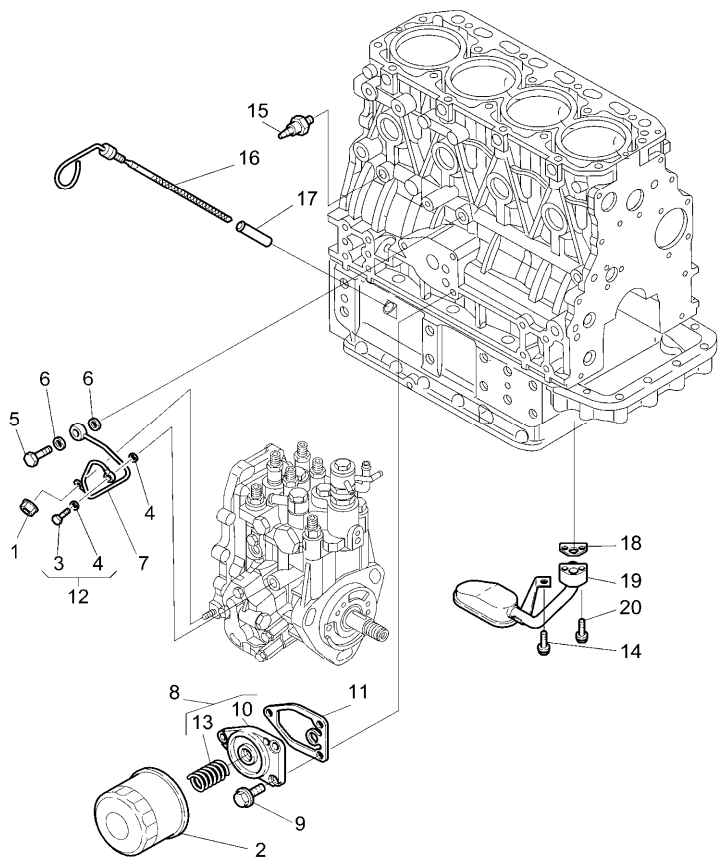


A0509

Pump, engine oil & related parts / filter, engine oil - lines - dipstick - piping

RS12\00012561.png

- ! This is a component of an assembly
- 👁 See page - reference number
- Replacement
- (X) Qty per tractors sold (aa.bbb.ccc.ddd) (aa) for 1,(bbb) 2-10 (ccc) 11-25 (ddd) 26-50
- T-A Replacement



Engine

GM tier 3 (2009-) - RS12 - 50

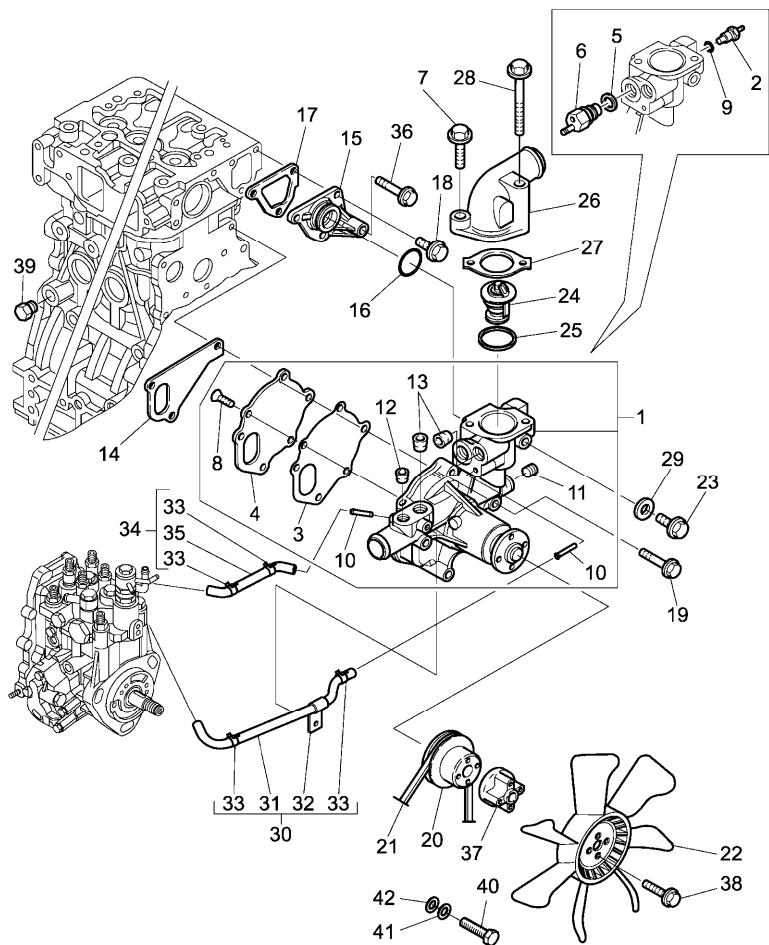
RS12\000014335.png

A-05
10



A0510

Water pump, support & thermostat/fan, pulley & belt



			Inglese
1	3680226M1	T-A 2:50	1 Pump
2		⊕ D-00 07 24 (X) 1.3.6.1 T-A 0:25	1 Bulb
3	3678031M1	! 1 T-A 2:50	1 Gasket
4	3678032M1	! 1 T-A 2:50	1 Disc
5	3653324M1		1 Gasket
6		⊕ D-00 07 25 (X) 1.3.6.1 T-A 0:25	1 Switch, indirect
7	3653867M1	M8x65	1 Bolt
8	3678000M1	! 1	3 Screw
9	3653462M1		1 Gasket
10	3677983M1	! 1	2 Union
11	3665017M1	! 1	1 Plug
12	3678308M1	! 1	1 Plug
13	3678297M1	! 1	2 Plug
14	3664547M1	T-A 2:50	1 Gasket
15	3678017M1	T-A 2:50	1 Gasket
16	3664548M1		1 Ring
17	3664432M1	T-A 2:50	1 Gasket
18	3653858M1	M8x16	3 Bolt
19	3653866M1	M8x60	3 Bolt

Engine

GM tier 3 (2009-) - RS12 - 50

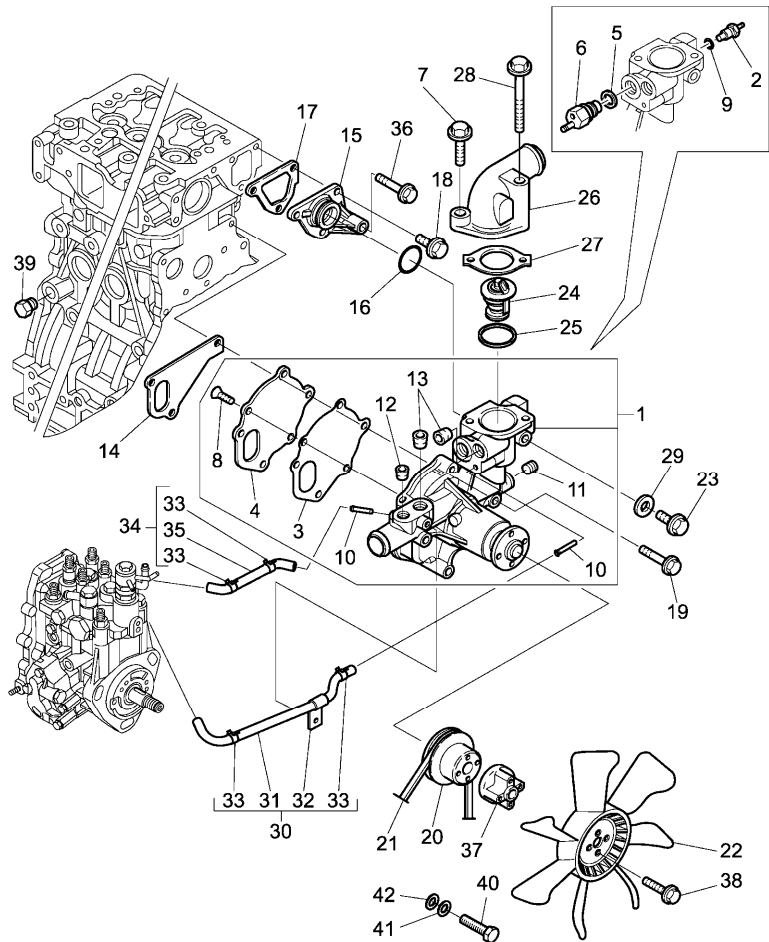
RS12\000014335.png

A-05
10



A0510

Water pump, support & thermostat/fan, pulley & belt



				Inglese
20	3674556M1	T-A	1:75	1 Pulley
21	3680227M1	(X)	1.3.6.1	1 Belt
		T-A	0:50	
22	3674559M1	(X)	1.3.6.1	1 Fan
		T-A	1:0	
23	3653856M1		M8x12	1 Bolt
24	3693923M1	(X)	1.3.6.1	1 Thermostat
		T-A	0:50	
25	3653463M1	T-A	0:50	1 Gasket
26	3678009M1	T-A	0:50	1 Cover
27	3653795M1	T-A	0:50	1 Gasket
28	3653860M1		M8x25	1 Bolt
29	3653822M1			1 Gasket
30	3678018M1	T-A	0:50	1 Pipe
31	3678020M1	!	30	1 Pipe
32	3677984M1	!	30	1 Clamp
33	3678010M1	!	30	4 Clamp
34	3678019M1	T-A	0:25	1 Pipe
35	3678021M1			1 Pipe
36	3653863M1		M8x45	1 Bolt
37	3653801M1			1 Spacer
38	3680228M1		M6x45	4 Bolt
39	3653797M1			1 Plug
40	391884X1		M6x50	4 Bolt
41	339375X1			4 Lock washer

Engine

GM tier 3 (2009-) - RS12 - 50

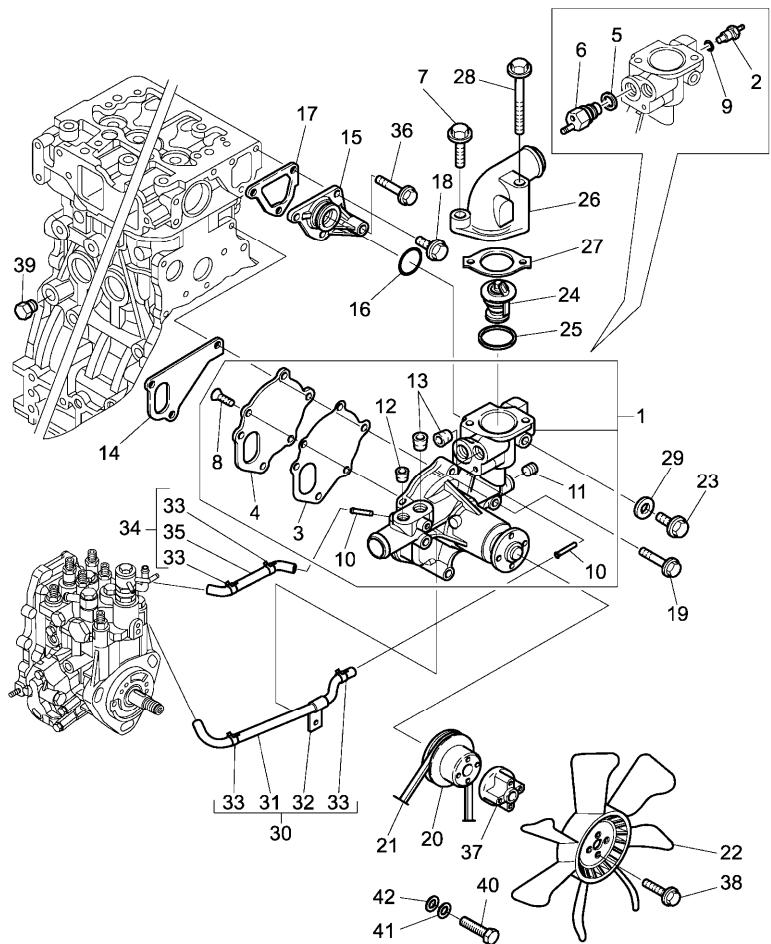
RS12\000014335.png

A-05
10



A0510

Water pump, support & thermostat/fan, pulley & belt



Inglese

42 390971X1

4 Washer

! This is a component of an assembly

👁 See page - reference number

(X) Qty per tractors sold (aa.bbb.ccc.ddd) (aa) for 1,(bbb) 2-10 (ccc) 11-25 (ddd) 26-50

T-A Replacement

Engine

GM tier 3 (2009-) - RS12 - 50

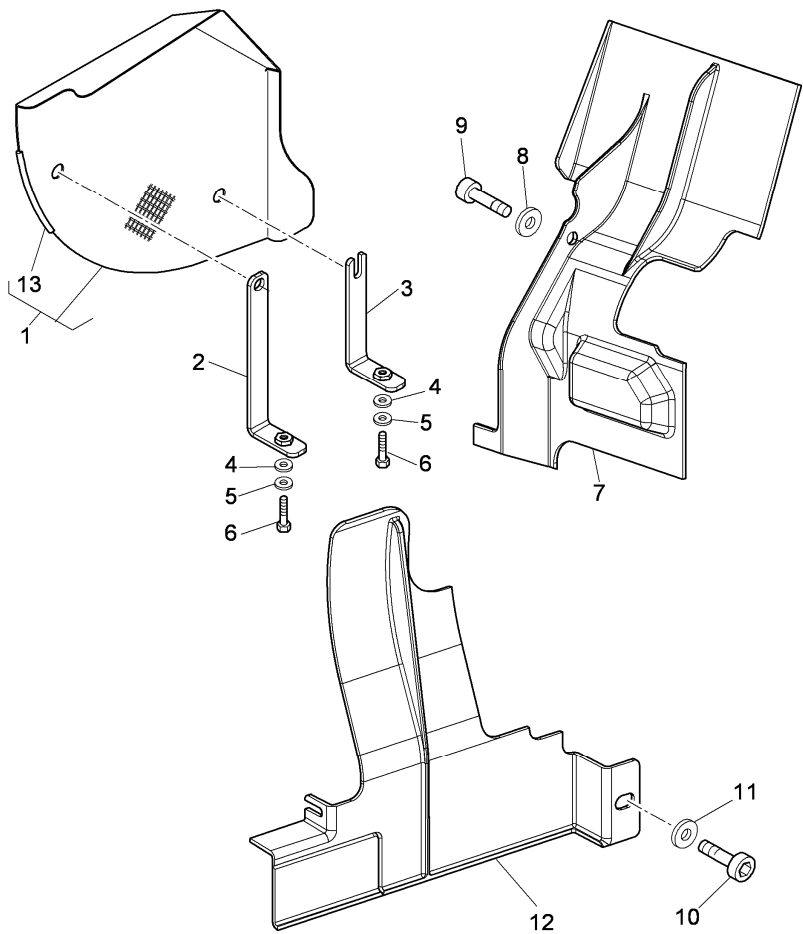
A-05
11



A0511

Engine and accessories - front guard

RS12\00009512.png




		Inglese
1	4219202M91 ◀	1 Guard
	A	
2	4219209M91 A	1 Stirrup
3	4219216M91 A	1 Stirrup
4	390469X1 Ø 5mm	2 Washer
	A	
5	339381X1 Ø 5mm	2 Lock washer
	A	
6	390990X1 A	2 Screw
	M5x12	
7	3684934M1 ◀	1 Guard
	B	
	C	
7	4221468M1 ◀	1 Guard
	● 4221468M2(1)	
	C	
	D	
8	316508 Ø 8mm	1 Washer
	● 339585X1(1)	
	C	
9	1441000X1 M8x16	1 Screw
	C	
10	1440818X1 M10x20	1 Screw
11	390734X1 Ø 10mm	1 Washer
12	3684935M1 ▶	1 Guard

Engine

GM tier 3 (2009-) - RS12 - 50

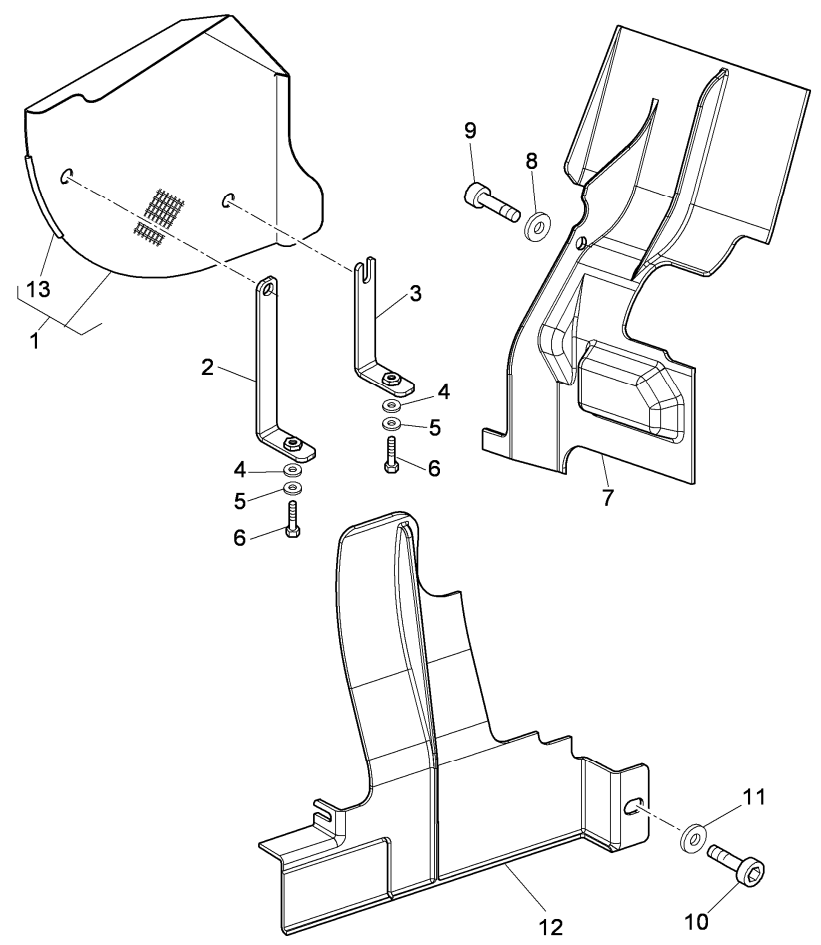
A-05
11



A0511

Engine and accessories - front guard

RS12\00009512.png



		Inglese	
13	3556746M1	◄► 160mm	1 Skirt
		! 1	
		● 3303146M1(1)	
13	3654158M1	◄► 310mm	1 Skirt
		! 1	
13	3656590M1	◄► 125mm	1 Guard
		! 1	
! This is a component of an assembly			
◄ Left hand			
► Right hand			
◄► Length			
∅ Diameter			
● Replacement			
A With cab			
B Without front p.t.o.			
C With platform			
D With front p.t.o.			

Engine

GM tier 3 (2009-) - RS12 - 50

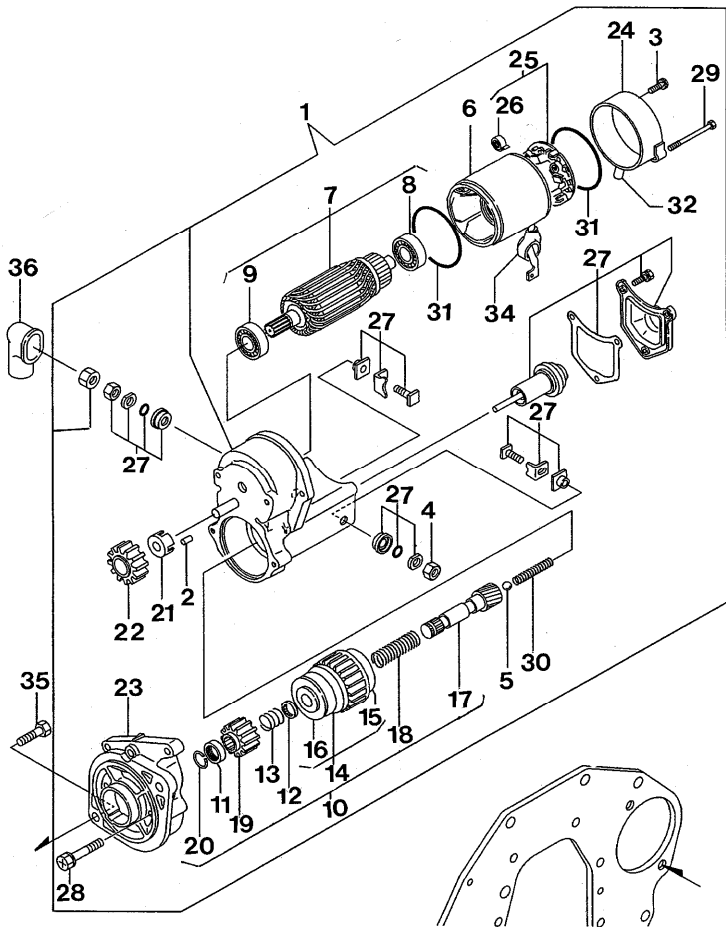
RS12\00001370.png

A-05
12



A0512

Starter motor



1	3653745M1	T-A	1:0
		T-B	2:75
2	3653910M1	!	1
3	3653426M1	!	1
4	3653912M1	!	1
5	3653913M1	!	1
6	3653746M1	!	1
		T-A	2:75
7	3653747M1	!	1
		T-A	2:75
8	3653404M1	!	7
		T-A	2:75
9	3653405M1	!	7
		T-A	2:75
10	3653748M1	!	1
		T-A	2:75
11	3653909M1	!	10
12	3653911M1	!	10
13	3653753M1	!	10
14	3653752M1	!	10
		T-A	2:75
15	3653424M1	!	14
		T-A	2:75
16	3653425M1	!	14
		T-A	2:75

Inglese

1	Startermotor
5	Roller
2	Screw
1	Nut
1	Ball
1	Housing
1	Armature
1	Cuscinet
1	Cuscinet
1	Kit
1	Nut
1	Clip
1	Spring
1	Clutch
1	Cuscinet
1	Cuscinet

Engine

GM tier 3 (2009-) - RS12 - 50

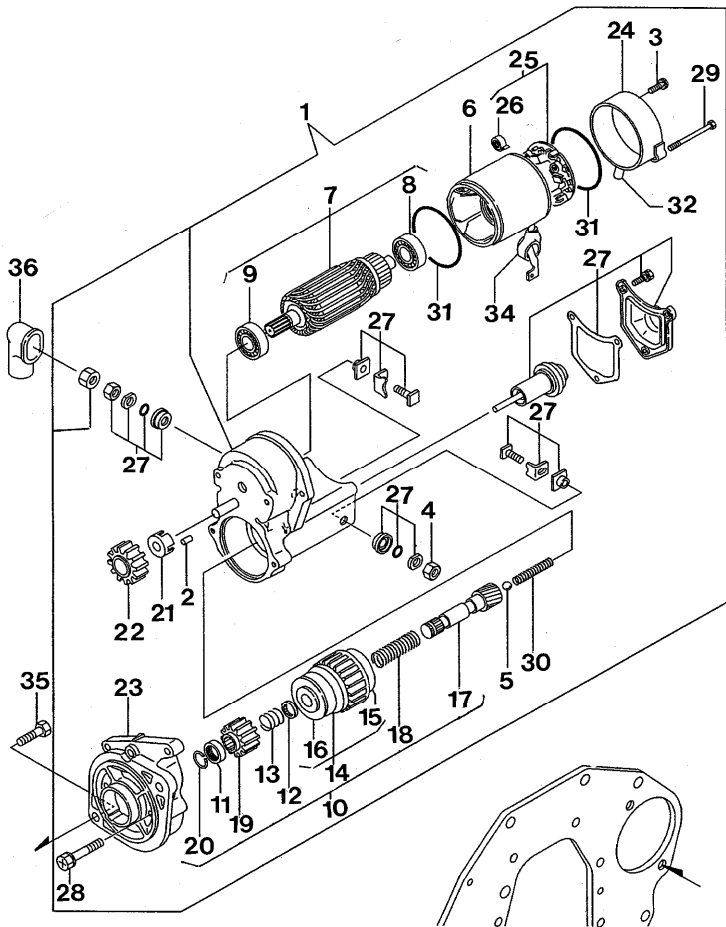
RS12\00001370.png

A-05
12



A0512

Starter motor



				Inglese
17	3653420M1	!	10	1 Shaft
		T-A	2:75	
18	3653421M1	!	10	1 Spring
19	3653422M1	!	10	1 Pinion
		T-A	2:75	
20	3653423M1	!	10	1 Ring
21	3653407M1	!	1	1 Clip
22	3653408M1	!	1	1 Pinion
		T-A	2:75	
23	3664475M1	!	1	1 Housing
		T-A	2:75	
24	3678039M1	!	1	1 Guard
		T-A	2:75	
25	3653749M1	!	1	1 Support
		T-A	2:75	
26	3653915M1	!	25	4 Spring
27	3653750M1	!	1	1 Switch,indirect
28	3653413M1	!	1	2 Bolt
29	3653751M1	!	1	2 Bolt
30	3653415M1	!	1	1 Spring
31	3653416M1	!	1	2 O ring
32	3653417M1	!	1	1 Coperch.
34	3653418M1	!	1	1 Plug
35	3666902M1		M12x25	1 Bolt
36	3653329M1			1 Coperch.



Suggest:

For more complete manuals. Please go to the home page.

<https://www.ebooklibonline.com>

If the above button click is invalid. Please download this document first, and then click the above link to download the complete manual.

Thank you so much for reading

Engine

A-05
12

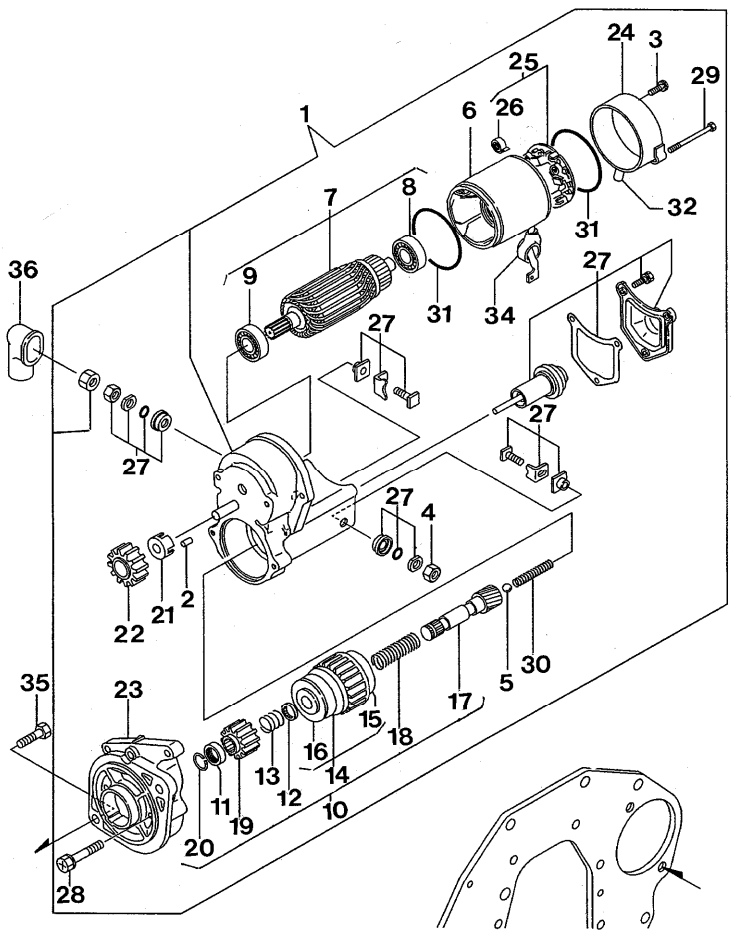
Starter motor

GM tier 3 (2009-) - RS12 - 50



RS12\00001370.png

- ! This is a component of an assembly
- T-A Replacement
- T-B Overhaul



Engine

GM tier 3 (2009-) - RS12 - 50

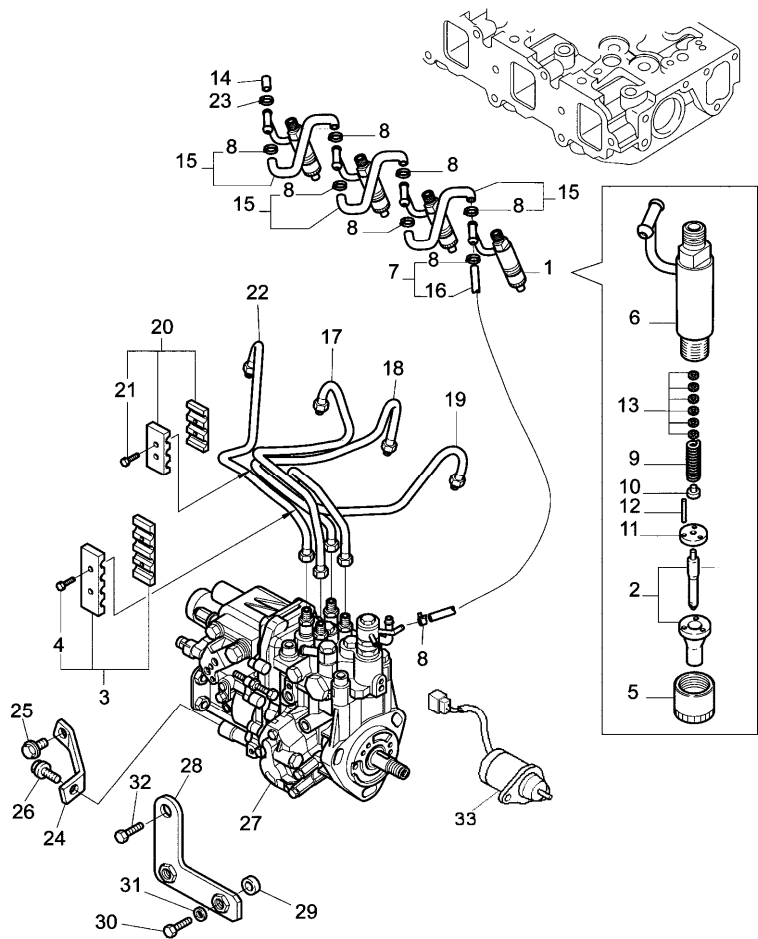
RS12\000013559.png

A-05
13



A0513

Fuel system, fuel injection pump, injectors



Inglese

1	3680231M1	T-A 2:0	4	Valve
		T-B 3:0		
2	3680232M1	! 1	4	Nozzle
		(X) 4.8.12.1		
		T-A 3:0		
3	3664552M1		1	Bolt
4	3653465M1	! 3	2	Bolt
		M4x14		
5	3653255M1	! 1	4	Nut
		T-A 3:0		
6	3680233M1	! 1	4	Body
7	3680238M1	T-A 0:25	1	Pipe
8	3678010M1		8	Clamp
9	3653256M1	! 1	4	Spring
		T-A 3:0		
10	3653257M1	! 1	4	Nameplate
		T-A 3:0		
11	3653258M1	! 1	4	Retainer
		T-A 3:0		
12	3653259M1	! 1	8	Pin
		T-A 3:0		
13	3653260M1	! 1	4	Shim
		● 3653260M2(4)		
		T-A 3:0		
14	3680242M1		1	Coperch.
15	3679973M1	T-A 0:75	3	Pipe

<https://www.ebooklibonline.com>

Hello dear friend!

Thank you very much for reading.

Enter the link into your browser.

The full manual is available for immediate download.

<https://www.ebooklibonline.com>