

Engine

GM tier 3 (2009-) - RS12 - 40

RS12\00012552.png

A-05
01



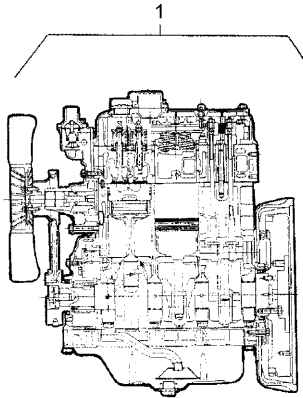
A0501

Engine assembly - engine yanmar type " 3tnv88 - klan "

Inglese

- 1 3669986M91 ● 3669986M92(1) 1 Engine
- T-A 13:0
- T-B 31:0

- Replacement
- T-A Replacement
- T-B Overhaul



Engine

GM tier 3 (2009-) - RS12 - 40

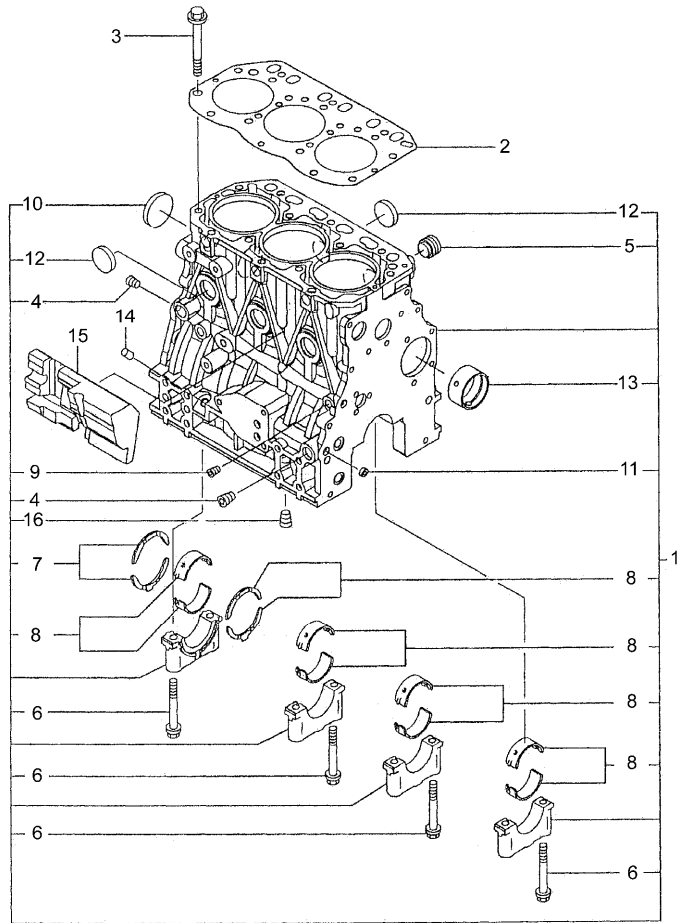
RS12\000012927.png

A-05
02



A0502

Cylinder block & related parts



				Inglese
1	3681397M1	T-A 33:0		1 Guard
2	3653335M1	(X) 1.3.6.1 T-A 5:0		1 Gasket
3	3653428M1			14 Stud
4	3653316M1	! 1 T-A 0:25		2 Plug
5	3653796M1	! 1 T-A 0:25		1 Plug
6	3653429M1	! 1		8 Bolt
7	3653432M1	! 1 ● 4215968M1(2) T-A 16:50		2 Ring
7	3653433M1	! 1 ● 4215970M1(2) A T-A 16:50		2 Ring
8	3653431M1	! 1 ● 3653431M2(4) B T-A 16:50		4 Ring
8	3680175M1	! 1 ● 4215967M1(1) T-A 16:50		4 Kit
9	3678007M1	! 1 T-A 0:25		1 Plug

Engine

GM tier 3 (2009-) - RS12 - 40

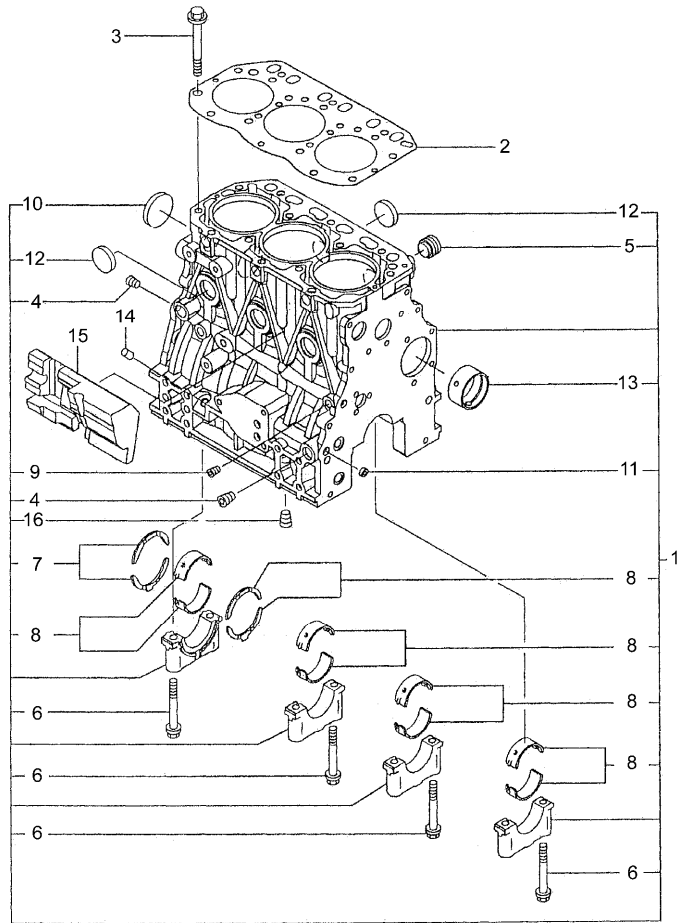
RS12\000012927.png

A-05
02



A0502

Cylinder block & related parts



		Inglese	
10	3680174M1	!	1 Plug
	● 3664445M1(1)		
	T-A 0:75		
11	3653888M1	!	2 Plug
12	3653889M1	!	6 Plug
	● 3653889M2(6)		
	T-A 0:75		
13	3653791M1	!	1 Bearing
	T-A 31:0		
14	3677943M1	!	1 Plug
15	3678014M1	!	1 Spacer
16	3653316M1	!	1 Plug

! This is a component of an assembly

● Replacement

(X) Qty per tractors sold (aa.bbb.ccc.ddd) (aa) for 1,(bbb) 2-10 (ccc) 11-25 (ddd) 26-50

T-A Replacement

A Over-size (0,25mm) part.

B Under-size (0,25mm) part.

<https://www.ebooklibonline.com>

Hello dear friend!

Thank you very much for reading.

Enter the link into your browser.

The full manual is available for immediate download.

<https://www.ebooklibonline.com>

Engine

GM tier 3 (2009-) - RS12 - 40

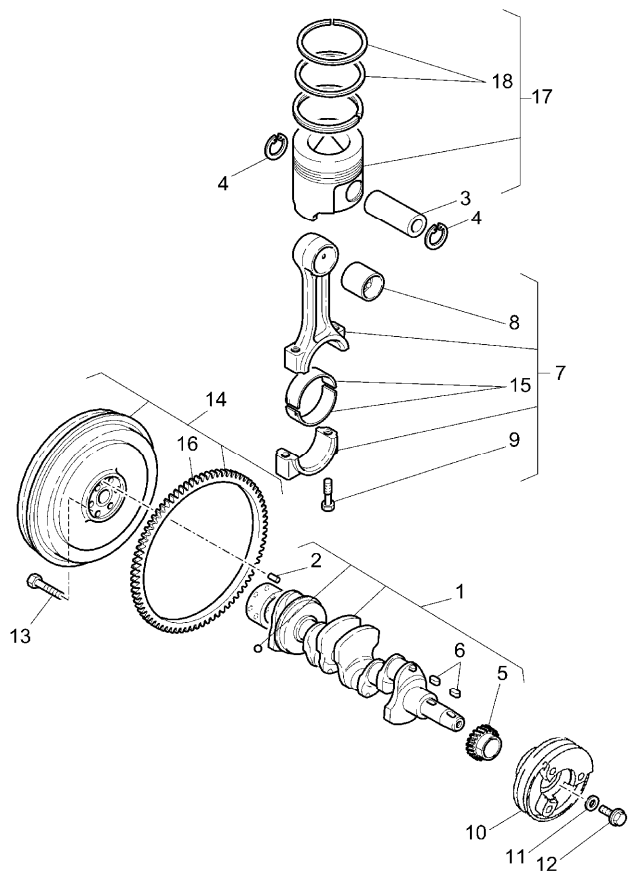
RS12\000012928.png

A-05
03



A0503

Crankshaft & flywheel - connecting rod - pistons



				Inglese
1	3681382M1	T-A 15:0		1 Shaft
		T-B 17:0		
2	3653378M1	!	1	1 Dowel
3	3653731M1	T-A 17:0		3 Cotter
4	3653815M1			6 Clip
5	3653820M1	!	1	2 Key
		T-A 20:0		
6	3677974M1	!	1	1 Gear
		● 4206674M1(1)		
		T-A 20:0		
7	3653897M1	T-A 17:0		3 Conrod
8	3653383M1	!	7	3 Bearing
		T-A 17:0		
9	3653307M1	!	7	6 Bolt
10	3653362M1	T-A 2:0		1 Pulley
11	3653794M1			1 Washer
12	3653309M1			1 Bolt
13	3653301M1			6 Bolt
14	3653361M1	T-A 10:25		1 Flywheel
15	3653450M1	!	7	3 Bearing
		● 4216034M1(3)		
		T-A 17:0		
15	3653451M1	!	7	3 Bearing
		B		
		T-A 17:0		

Engine

GM tier 3 (2009-) - RS12 - 40

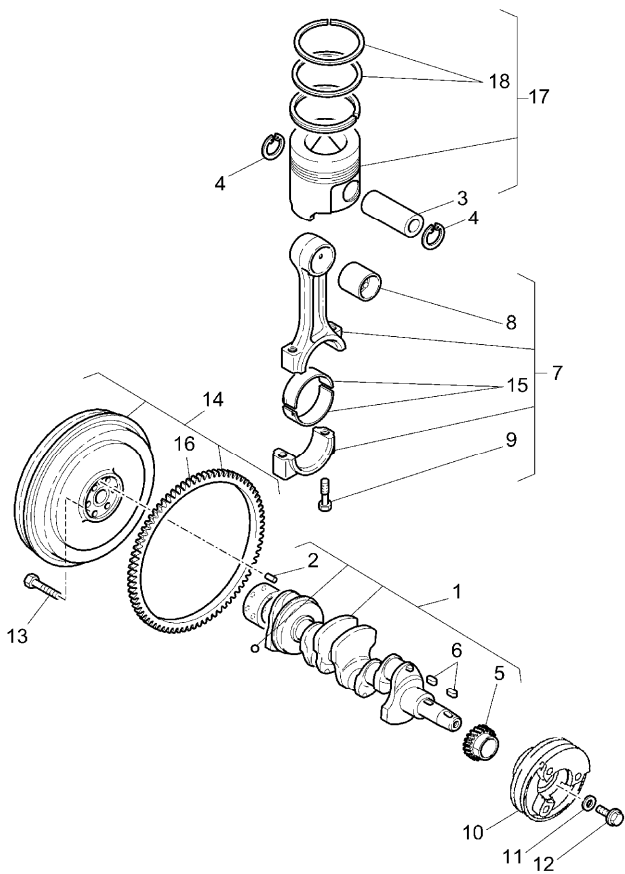
RS12\000012928.png

**A-05
03**



A0503

Crankshaft & flywheel - connecting rod - pistons



				Inglese
16	3653297M1	!	14	1 Crownwheel
		T-A	10:25	
17	3680221M1	(X)	1.3.6.1	3 Piston
		T-A	17:0	
17	3680222M1	A		3 Piston
		T-A	17:0	
18	3678015M1	!	17	3 Kit
		T-A	17:0	
18	3678016M1	!	17	3 Kit
		A		
		T-A	17:0	

! This is a component of an assembly

● Replacement

(X) Qty per tractors sold (aa.bbb.ccc.ddd) (aa) for 1,(bbb) 2-10 (ccc) 11-25 (ddd) 26-50

T-A Replacement

T-B Overhaul

A Over-size (0,25mm) part.

B Under-size (0,25mm) part.

Engine

GM tier 3 (2009-) - RS12 - 40

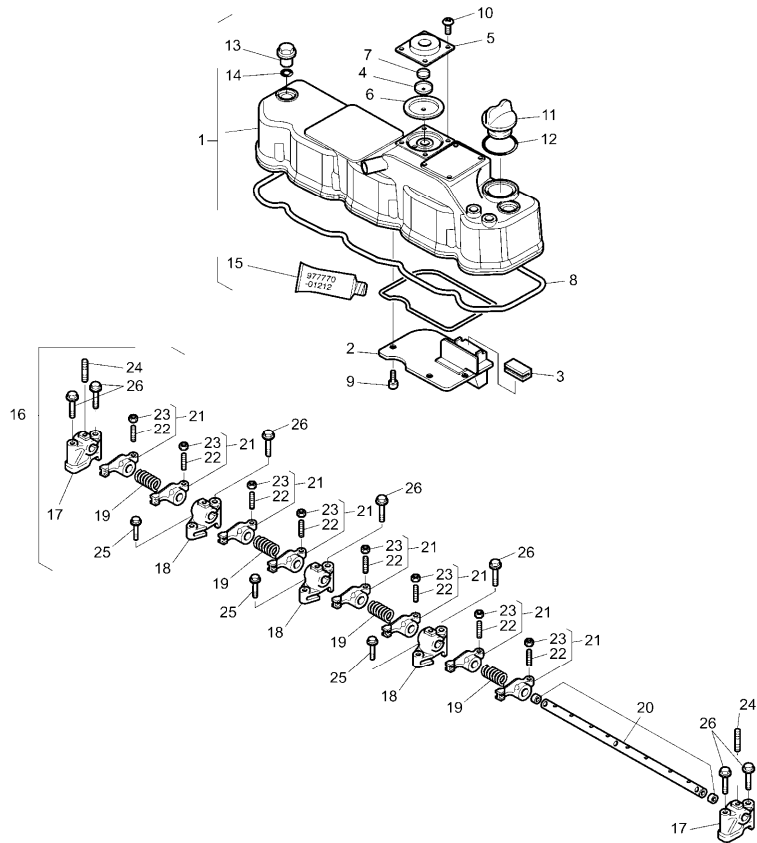
RS12\00012557.png

A-05
04



A0504

Cylinder head, injector sleeve & intake valve guide-rocker arm, cover & valves



				Inglese
1	3681380M1	T-A	1:50	1 Coperch.
2	3680191M1	!	1	1 Plate
3	3653435M1	!	1	1 Guard
4	3680210M1	!	1	1 Plate
5	3680211M1	!	1	1 Coperch.
6	3680212M1	!	1	1 Diaphragm
7	3680213M1	!	1	1 Spring
8	3681379M1	!	1	1 Gasket
		(X)	1.3.6.1	
		T-A	1:50	
9	3665010M1	!	1	4 Screw
			M5x10	
10	3665010M1	!	1	4 Screw
			M5x10	
11	3653315M1	!	1	1 Plug
		T-A	0:25	
12	3653835M1	!	1	1 O ring
13	3653317M1	!	1	3 Plug
14	3653831M1	!	1	3 O ring
15	3653908M1	!	1	1 Gasket
	●		3653908M2(1)	
16	3681377M1	T-A	2:75	1 Shaft
17	3680185M1	!	16	2 Support
		T-A	2:0	

Engine

GM tier 3 (2009-) - RS12 - 40

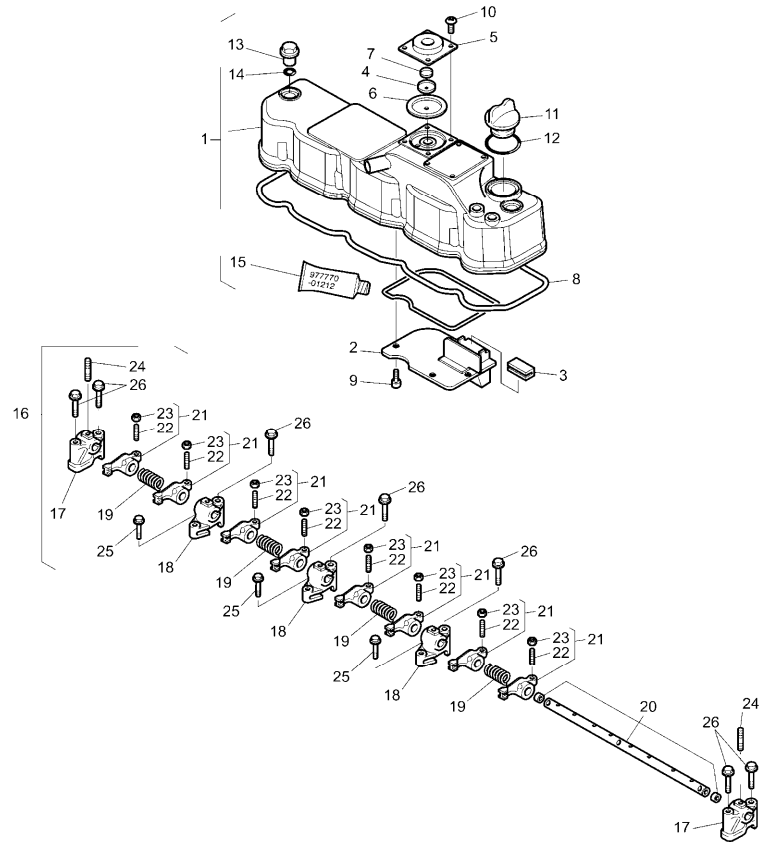
RS12\00012557.png

A-05
04



A0504

Cylinder head, injector sleeve & intake valve guide-rocker arm, cover & valves



				Inglese
18	3680186M1	!	16	3 Support
		T-A	2:0	
19	3653440M1	!	16	3 Spring
		T-A	2:0	
20	3681378M1	!	16	1 Shaft
		T-A	2:75	
21	3680188M1	!	16	6 Cam
		T-A	2:0	
22	3653439M1	!	21	6 Screw
		T-A	1:50	
23	3653444M1	!	21	6 Nut
		T-A	1:50	
24	3681374M1	!	16	3 Stud
25	3653860M1	!	16	3 Bolt
			M8x25	
26	3653864M1	!	16	6 Bolt
			M8x50	
! This is a component of an assembly				
● Replacement				
(X) Qty per tractors sold (aa.bbb.ccc.ddd) (aa) for 1,(bbb) 2-10 (ccc) 11-25 (ddd) 26-50				
T-A Replacement				

Engine

GM tier 3 (2009-) - RS12 - 40

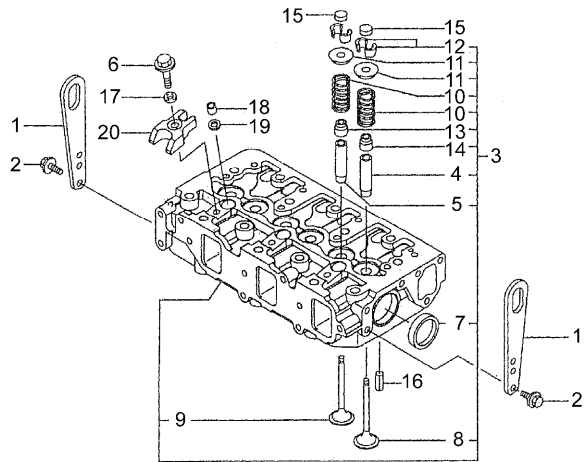
RS12\000012929.png

A-05
05



A0505

Cylinder head, injector sleeve & intake valve guide-rocker arm, cover & valves



		Inglese
1	3664580M1	2 Stirrup
2	3653857M1	3 Bolt
3	3681386M1	T-A 5:0 T-B 8:75 1 Head
4	3653298M1	! 3 T-A 8:75 3 Guide
5	3653445M1	! 3 T-A 8:75 3 Guide
6	3653861M1	! 3 M8x35 3 Bolt
7	3653890M1	! 3 (X) 4.8.12.1 2 Plug
8	3681364M1	! 3 (X) 3.6.10.1 3 Valve
9	3653381M1	! 3 ● 3653381M2(3) (X) 3 Valve
10	3653792M1	T-A 7:75 ! 3 6 Spring
11	3653793M1	T-A 7:75 ! 3 6 Nameplate
12	3680181M1	T-A 7:75 ! 3 6 Clip

Engine

GM tier 3 (2009-) - RS12 - 40

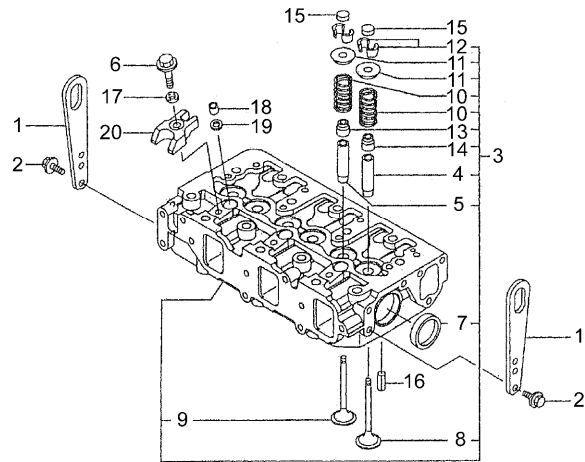
RS12\000012929.png

A-05
05



A0505

Cylinder head, injector sleeve & intake valve guide-rocker arm, cover & valves



		Inglese	
13	3653304M1	! 3	3 Thimble
		T-A 7:75	
14	3653323M1	! 3	3 Thimble
		T-A 7:75	
15	3653443M1	! 3	6 Shim
		T-A 7:75	
16	3653818M1	! 3	2 Pin
17	3680183M1	! 3	3 Washer
18	3677971M1	! 3	3 Guard
19	3653266M1	! 3	3 Washer
20	3680182M1	! 3	3 Clip
		T-A 0:25	

! This is a component of an assembly

● Replacement

(X) Qty per tractors sold (aa.bbb.ccc.ddd) (aa) for 1,(bbb) 2-10 (ccc) 11-25 (ddd) 26-50

T-A Replacement

T-B Overhaul

Engine

GM tier 3 (2009-) - RS12 - 40

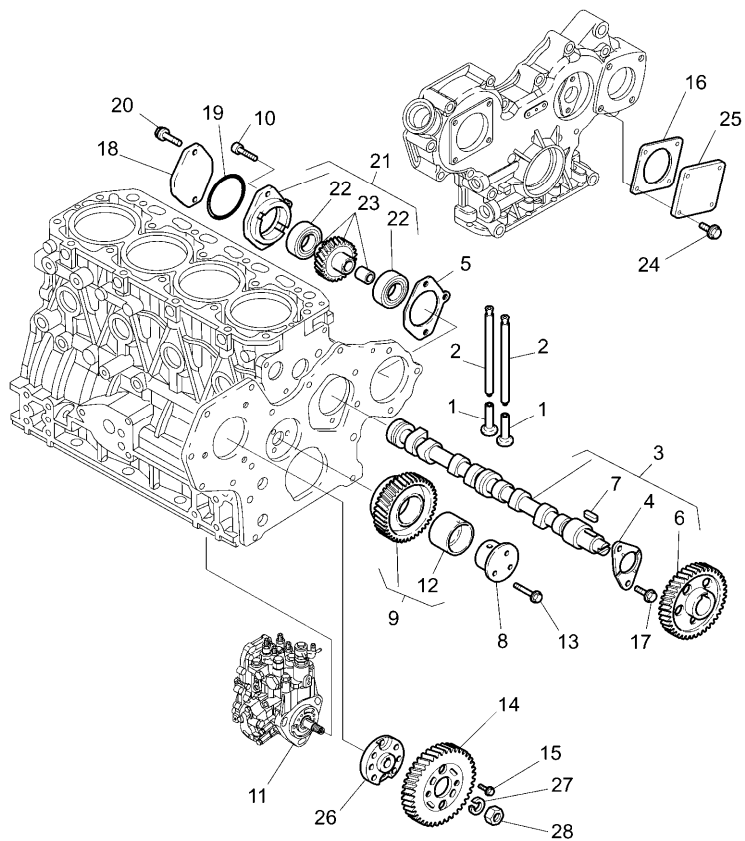
RS12\00012559.png

A-05
06



A0506

Timing gear and camshaft



				Inglese
1	3653447M1	T-A 31:0		8 Tappet
2	3653448M1	T-A 2:75		8 Rod
3	3653400M1	T-A 31:0		1 Shaft
4	3653430M1	! 3		1 Plate
		T-A 31:0		
5	3653800M1	T-A 1:0		1 Gasket
6	3653446M1	! 3		1 Gear
		T-A 31:0		
7	3653820M1	! 3		1 Key
		T-A 31:0		
8	3677975M1	T-A 9:50		1 Shaft
9	3677977M1	T-A 9:50		1 Gear
10	3653879M1	M8x28		1 Bolt
11		⊕ A-05 13 19		1 Pump
12	3677976M1	! 9		1 Bush
		T-A 9:50		
13	3653862M1	M8x40		3 Bolt
14	3677978M1	T-A 9:25		1 Gear
15	3664454M1			4 Screw
16	3653321M1	T-A 0:50		1 Gasket
17	3653857M1	M8x14		2 Bolt
18	3653300M1	T-A 0:50		1 Cover
19	3653839M1	T-A 0:50		1 O ring
20	3653869M1	M10x45		2 Bolt
21	3653363M1	T-A 1:0		1 Kit

Engine

GM tier 3 (2009-) - RS12 - 40

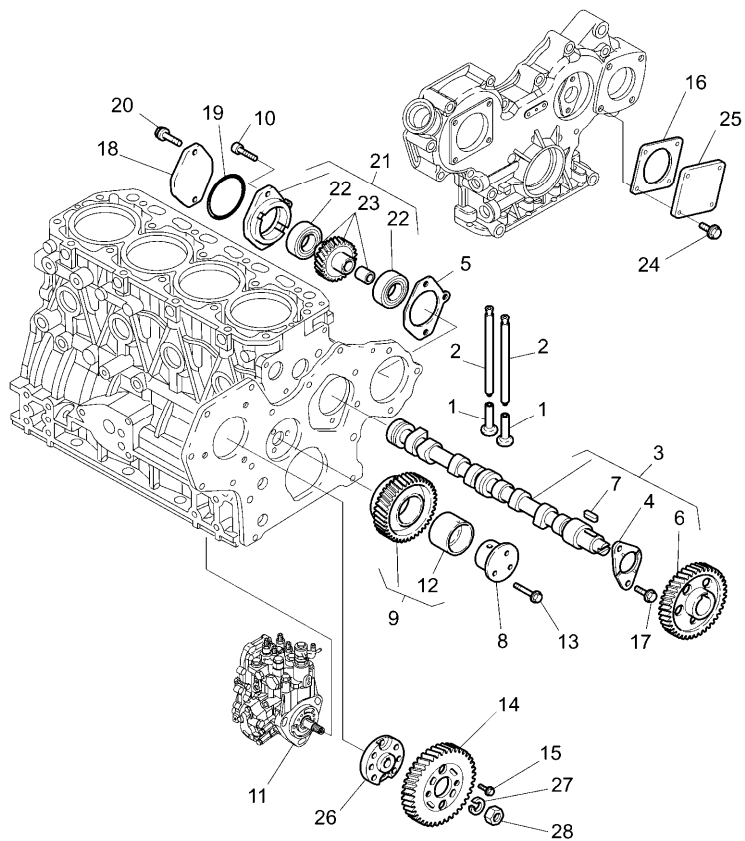
A-05
06



A0506

Timing gear and camshaft

RS12\00012559.png



Inglese

22	3653830M1	!	21	2	Bearing
		T-A	1:50		
23	3653364M1	!	21	1	Gear
		T-A	1:50		
24	3653858M1		M8x16	4	Bolt
25	3653320M1	T-A	0:50	1	Cover
26	3678298M1	T-A	9:25	1	Flange
27	3678300M1			1	Washer
28	3678315M1			1	Nut
!	This is a component of an assembly				
⊕	See page - reference number				
T-A	Replacement				

Engine

GM tier 3 (2009-) - RS12 - 40

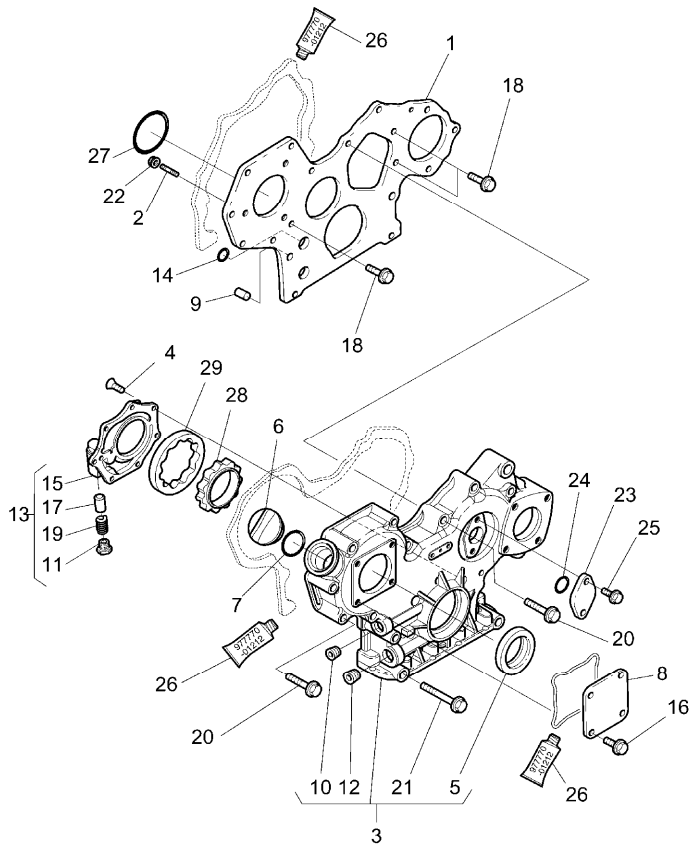
RS12\000012930.png

A-05
07



A0507

Engine covers & gaskets, front



				Inglese
1	3678023M1	T-A	4:75	1 Flange
2	3677969M1		M8x25	3 Stud
3	3680176M1	T-A	4:75	1 Coperch.
4	3677981M1		M6x16	7 Screw
5	3653788M1	!	3	1 Seal
			72x55x9	
		(X)	1.3.6.1	
		T-A	2:50	
6	3653315M1			1 Plug
7	3653835M1	!	6	1 O ring
		T-A	0:25	
8	3653320M1			1 Coperch.
9	3653789M1			2 Bush
10	3665018M1	!	3	1 Plug
11	3678013M1	!	13	1 Plug
12	3678309M1	!	3	1 Plug
13	3677980M1	T-A	4:75	1 Cover
14	3677944M1			4 Ring
15	3677979M1	!	13	1 Cover
		T-A	4:75	
16	3653858M1		M8x16	4 Bolt
17	3678295M1	!	13	1 Valve
		T-A	4:75	
18	3653858M1		M8x16	3 Bolt

Engine

GM tier 3 (2009-) - RS12 - 40

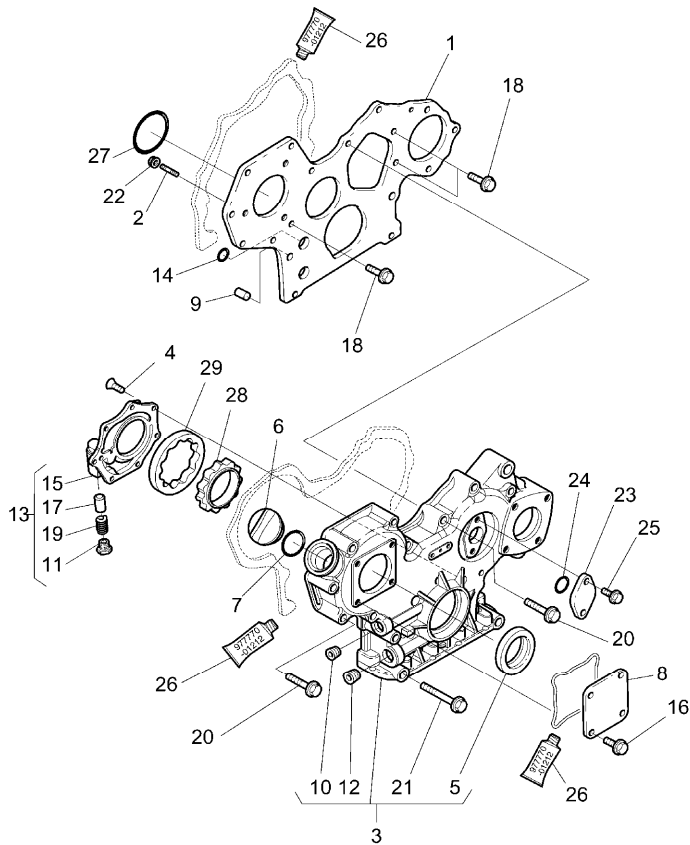
RS12\000012930.png

A-05
07



A0507

Engine covers & gaskets, front



				Inglese
19	3678043M1	!	13	1 Spring
		T-A	4:75	
20	3653865M1		M8x55	11 Bolt
21	3664450M1	!	3	3 Bolt
			M8x85	
22	3666905M1			3 Nut
23	3653299M1	T-A	0:25	1 Cover
24	3653841M1	T-A	0:25	1 O ring
25	3653853M1		M6x16	2 Bolt
26	3653908M1	●	3653908M2(1)	1 Gasket
		A		
27	3653310M1			1 O ring
28	3680177M1	T-A	4:75	1 Rotor
29	3680178M1	T-A	4:75	1 Rotor

! This is a component of an assembly

● Replacement

(X) Qty per tractors sold (aa.bbb.ccc.ddd) (aa) for 1,(bbb) 2-10 (ccc) 11-25 (ddd) 26-50

T-A Replacement

A For application, refer to workshop manual

Engine

GM tier 3 (2009-) - RS12 - 40

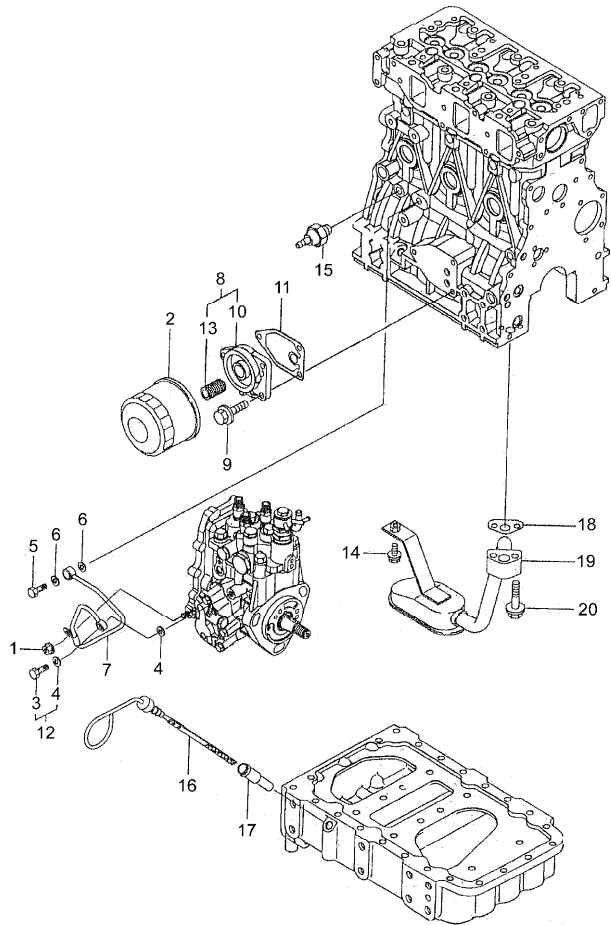
RS12\000012932.png

A-05
09



A0509

Pump, engine oil & related parts / filter, engine oil - lines - dipstick - piping



		Inglese
1	3653876M1	1 Nut
2	3678034M1	1 Filter
	● 3678034M2(1)	
	(X)	
	T-A 0:25	
3	3665013M1	1 Bolt
4	3653808M1	2 Washer
5	3653318M1	1 Bolt
6	3653809M1	2 Washer
7	3680223M1	1 Pipe
8	3680224M1	1 Stirrup
9	3653859M1	3 Bolt
	T-A 0:25	
10	3677982M1	1 Stirrup
11	3653458M1	1 Gasket
12	3678024M1	1 Bolt
13	3680225M1	1 Stud
14	3666894M1	1 Screw
15	⊙ D-00 07 23	1 Bulb
	T-A 0:25	
16	3653766M1	1 Rod
17	3653306M1	1 Guide
18	3653456M1	1 Gasket
	● 3653456M2(1)	
	T-A 6:0	
19	3653365M1	1 Pipe
	T-A 6:0	
20	3653861M1	2 Bolt
	M8x35	

Engine

GM tier 3 (2009-) - RS12 - 40

RS12\000012932.png

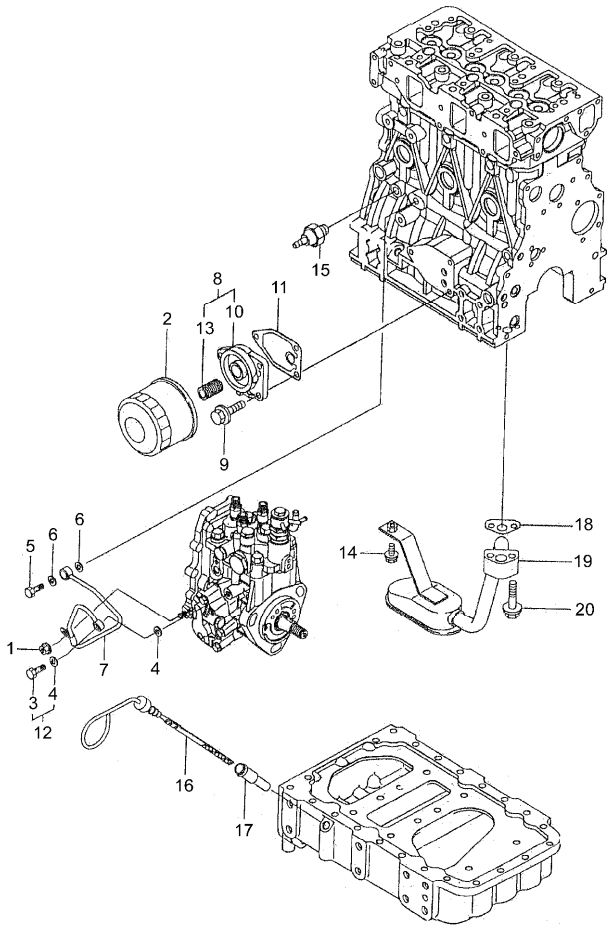
A-05
09



A0509

Pump, engine oil & related parts / filter, engine oil - lines - dipstick - piping

- ! This is a component of an assembly
- 👁 See page - reference number
- Replacement
- (X) Qty per tractors sold (aa.bbb.ccc.ddd) (aa) for 1,(bbb) 2-10 (ccc) 11-25 (ddd) 26-50
- T-A Replacement



Engine

GM tier 3 (2009-) - RS12 - 40

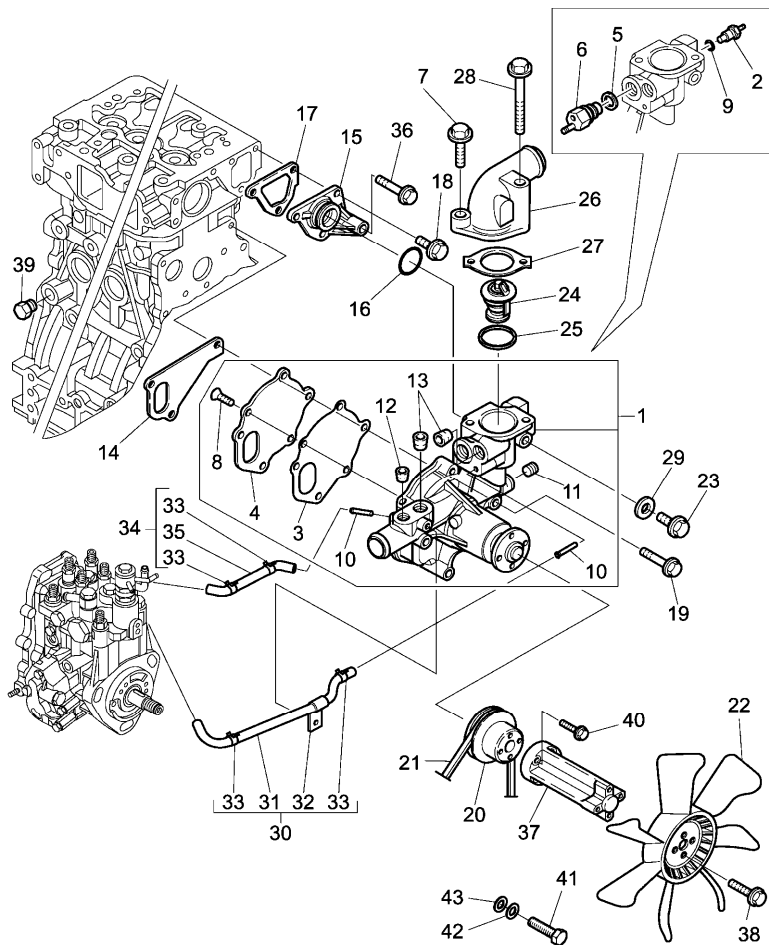
RS12\000014334.png

A-05
10



A0510

Water pump, support & thermostat/fan, pulley & belt



		Inglese	
1	3680226M1	T-A 2:50	1 Pump
2		⊕ D-00 07 24	1 Bulb
		T-A 0:25	
3	3678031M1	! 1	1 Gasket
		T-A 2:50	
4	3678032M1	! 1	1 Disc
		T-A 2:50	
5	3653324M1		1 Gasket
6		⊕ D-00 07 25	1 Switch,indirect
		T-A 0:25	
7	3653867M1	M8x65	1 Bolt
8	3678000M1	! 1	3 Screw
9	3653462M1		1 Gasket
10	3677983M1	! 1	2 Union
11	3665017M1	! 1	1 Plug
12	3681394M1	! 1	1 Manifold
13	3678297M1	! 1	2 Plug
14	3664547M1	T-A 2:50	1 Gasket
15	3678017M1	T-A 2:50	1 Gasket
16	3664548M1		1 Ring
17	3664432M1	T-A 2:50	1 Gasket
18	3653858M1	M8x16	3 Bolt
19	3653866M1	M8x60	3 Bolt
20	3674556M1	T-A 1:75	1 Pulley

Engine

GM tier 3 (2009-) - RS12 - 40

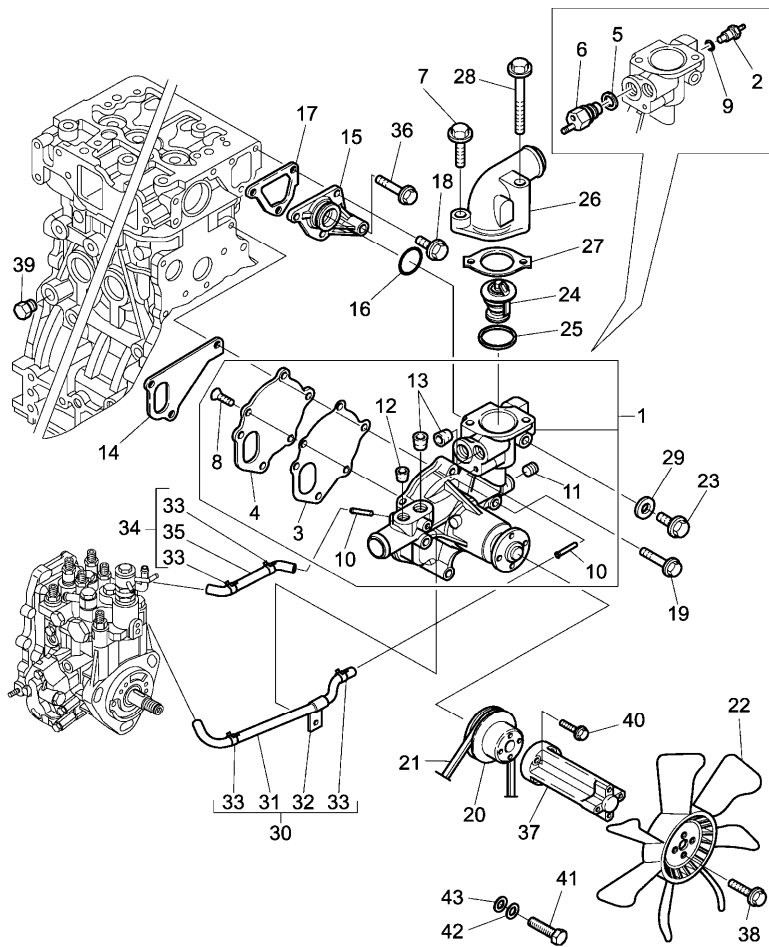
RS12\000014334.png

A-05
10



A0510

Water pump, support & thermostat/fan, pulley & belt



					Inglese
21	3653844M1	(X)	1.3.6.1		1 Belt
			T-A	0:50	
22	3674559M1	(X)	1.3.6.1		1 Fan
			T-A	1:0	
23	3653856M1		M8x12		1 Bolt
24	3693923M1	(X)	1.3.6.1		1 Thermostat
			T-A	0:50	
25	3653463M1		T-A	0:50	1 Gasket
26	3678009M1		T-A	0:50	1 Cover
27	3653795M1		T-A	0:50	1 Gasket
28	3653860M1		M8x25		1 Bolt
29	3653822M1				1 Gasket
30	3678018M1		T-A	0:50	1 Pipe
31	3678020M1	!	30		1 Pipe
32	3677984M1	!	30		1 Clamp
33	3678010M1	!	30		4 Clamp
34	3678019M1		T-A	0:25	1 Pipe
35	3678021M1				1 Pipe
36	3653863M1		M8x45		1 Bolt
37	3653366M1				1 Spacer
38	3679848M1		M6x45		4 Bolt
39	3653797M1				1 Plug
40	3681395M1		M6x25		4 Bolt
41	339351X1		M6x25		4 Screw
42	339375X1				4 Lock washer

Engine

GM tier 3 (2009-) - RS12 - 40

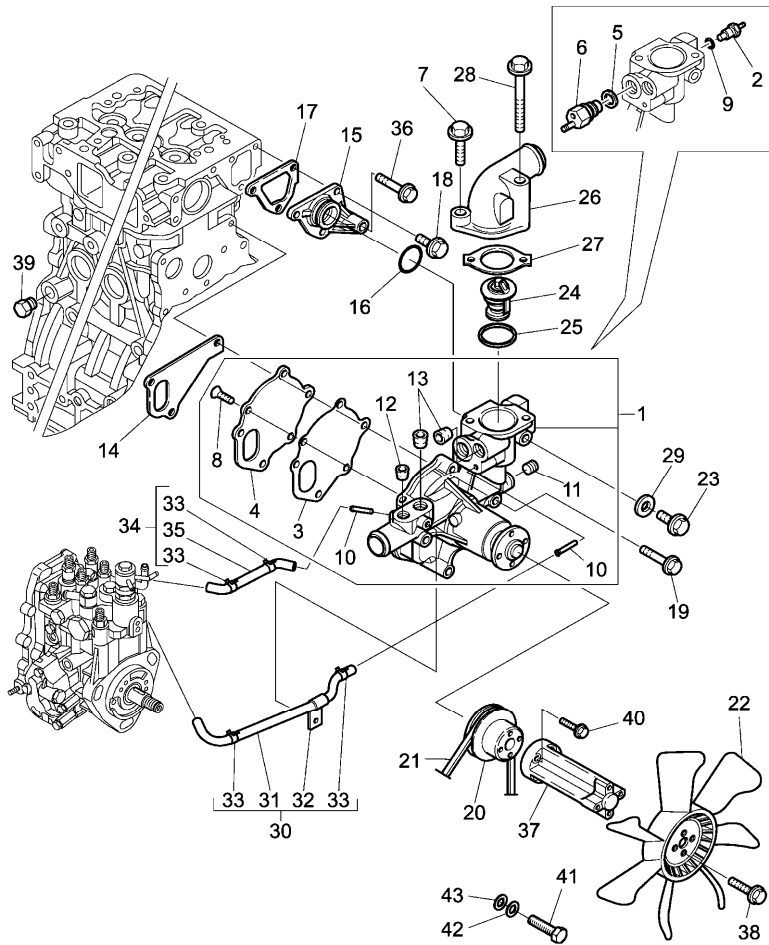
RS12\000014334.png

A-05
10



A0510

Water pump, support & thermostat/fan, pulley & belt



Inglese

43 390971X1

4 Washer

! This is a component of an assembly

See page - reference number

(X) Qty per tractors sold (aa.bbb.ccc.ddd) (aa) for 1,(bbb) 2-10 (ccc) 11-25 (ddd) 26-50

T-A Replacement

Engine

GM tier 3 (2009-) - RS12 - 40

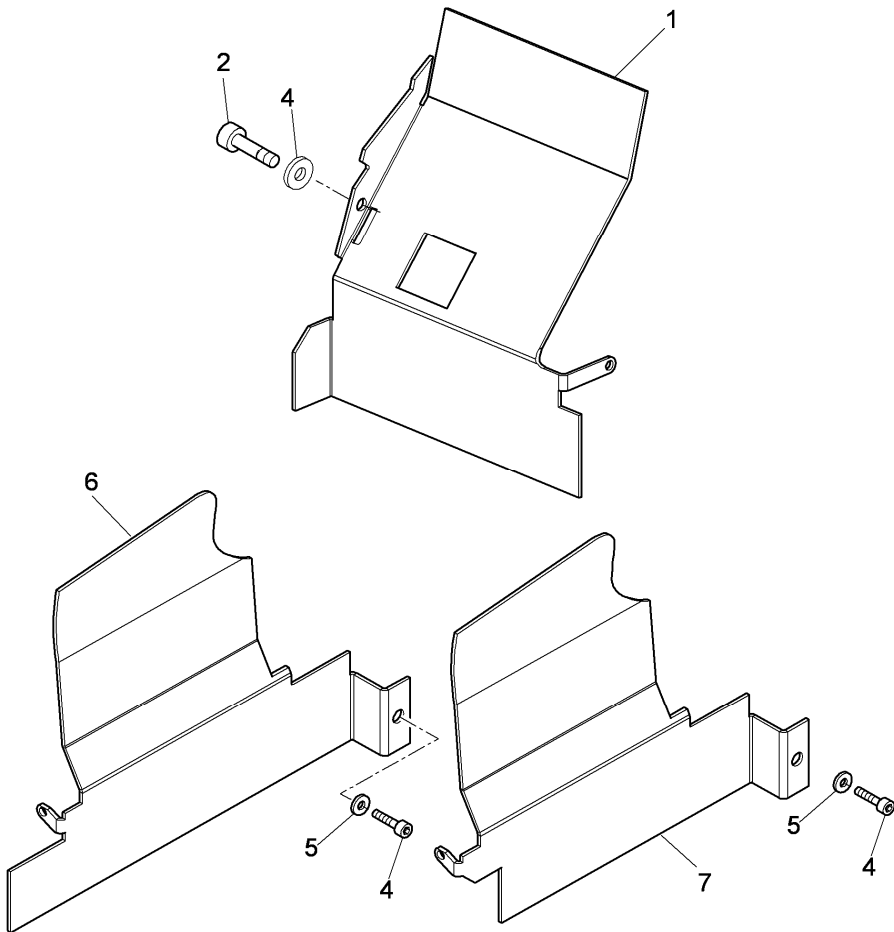
RS12\00009487.png

A-05
11



A0511

Engine and accessories - front guard



		Inglese
1	3682275M2 ◀	1 Guard
2	316508 ∅ 8mm	1 Washer
	● 339585X1(1)	
3	1441000X1 M8x16	1 Screw
4	1440818X1 M10x20	1 Screw
5	390734X1 ∅ 10mm	1 Washer
6	3682098M1 ▶	1 Guard
	A	
7	3682099M1 ▶	1 Guard
	D	
	B	
	C	
◀	Left hand	
▶	Right hand	
∅	Diameter	
●	Replacement	
A	Without hydraulic front lift	
B	Whitout weights support	
C	With switching rear distributor - 3 levers/6 outputs	
D	With front lifting device	



Suggest:

For more complete manuals. Please go to the home page.

<https://www.ebooklibonline.com>

If the above button click is invalid. Please download this document first, and then click the above link to download the complete manual.

Thank you so much for reading

Engine

GM tier 3 (2009-) - RS12 - 40

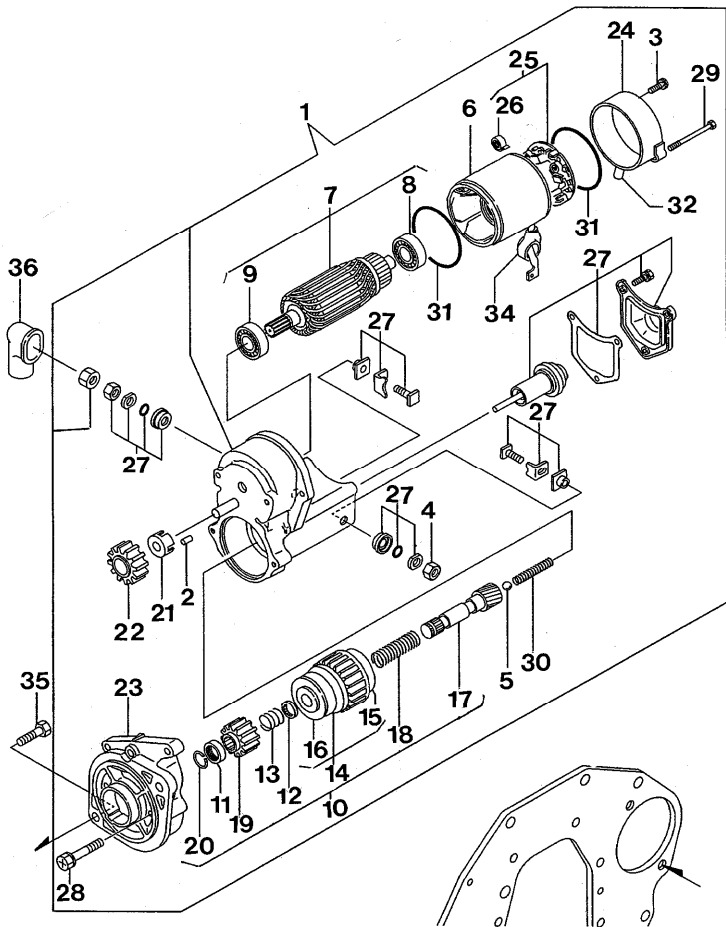
RS12\00001370.png

A-05
12



A0512

Starter motor



1	3653401M1	T-A	1:0
		T-B	2:75
2	3653910M1	!	1
3	3653426M1	!	1
4	3653912M1	!	1
5	3653913M1	!	1
6	3653402M1	!	1
		T-A	2:75
7	3653403M1	!	1
		T-A	2:75
8	3653404M1	!	7
		T-A	2:75
9	3653405M1	!	7
		T-A	2:75
10	3653406M1	!	1
		T-A	2:75
11	3653909M1	!	10
12	3653911M1	!	10
13	3653914M1	!	10
14	3653419M1	!	10
		T-A	2:75
15		!	14
		➡	Ref. n. 14
16		!	14
		➡	Ref. n. 14

Inglese

1	Startermotor
5	Roller
2	Screw
1	Nut
1	Ball
1	Body
1	Armature
1	Cuscinet
1	Cuscinet
1	Kit
1	Nut
1	Clip
1	Spring
1	Clutch
1	Cuscinet
1	Cuscinet

Engine

GM tier 3 (2009-) - RS12 - 40

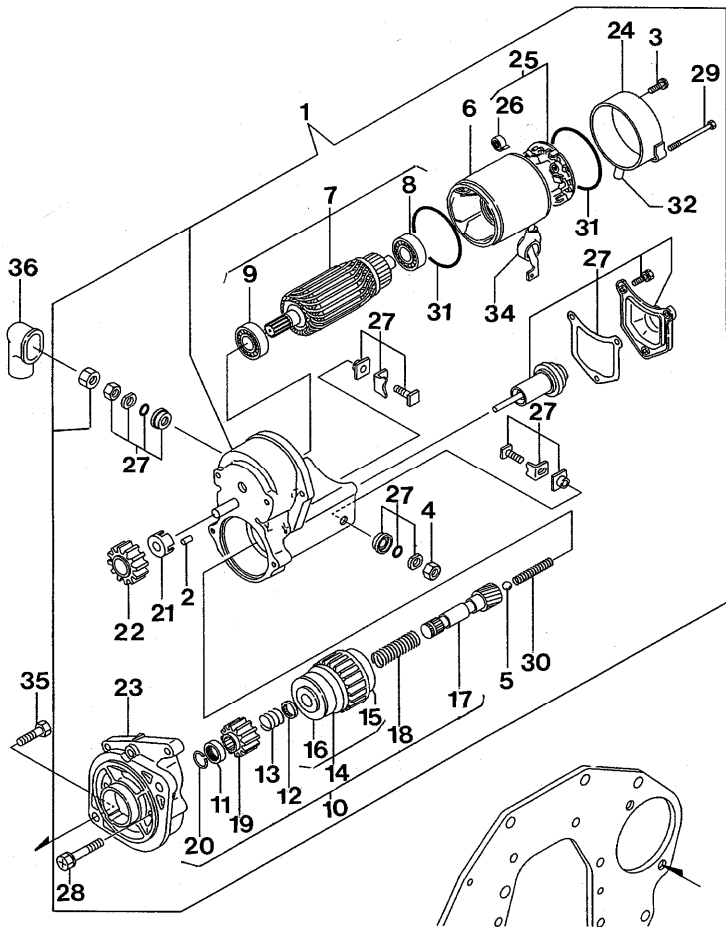
RS12\00001370.png

A-05
12



A0512

Starter motor



			Inglese	
17	3653420M1	!	10	1 Shaft
		T-A	2:75	
18	3653421M1	!	10	1 Spring
19	3653422M1	!	10	1 Pinion
		T-A	2:75	
20	3653423M1	!	10	1 Ring
21	3653407M1	!	1	1 Clip
22	3653408M1	!	1	1 Pinion
		T-A	2:75	
23	3653409M1	!	1	1 Housing
		T-A	2:75	
24	3653410M1	!	1	1 Frame
		T-A	2:75	
25	3653411M1	!	1	1 Support
		T-A	2:75	
26	3653915M1	!	25	4 Spring
27	3653412M1	!	1	1 Switch, indirect
28	3653413M1	!	1	2 Bolt
29	3653414M1	!	1	2 Bolt
30	3653415M1	!	1	1 Spring
31	3653416M1	!	1	2 O ring
32	3653417M1	!	1	1 Coperch.
34	3653418M1	!	1	1 Plug
35	3653871M1		M12x25	1 Bolt
36	3653329M1			1 Coperch.

<https://www.ebooklibonline.com>

Hello dear friend!

Thank you very much for reading.

Enter the link into your browser.

The full manual is available for immediate download.

<https://www.ebooklibonline.com>