

Engine

F/XL Tier 3 (2008-2009) - RP53 - F105 GE/XL

RP53\00005170.png

A-05
01



A0501

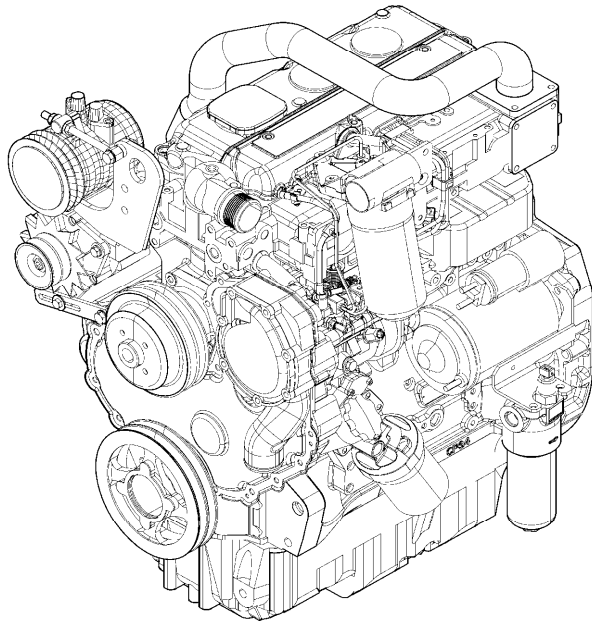
Engine assembly

Inglese

1 3691604M91

"perkins - n138970 1 Engine
72.5kw

1



Engine

F/XL Tier 3 (2008-2009) - RP53 - F105 GE/XL

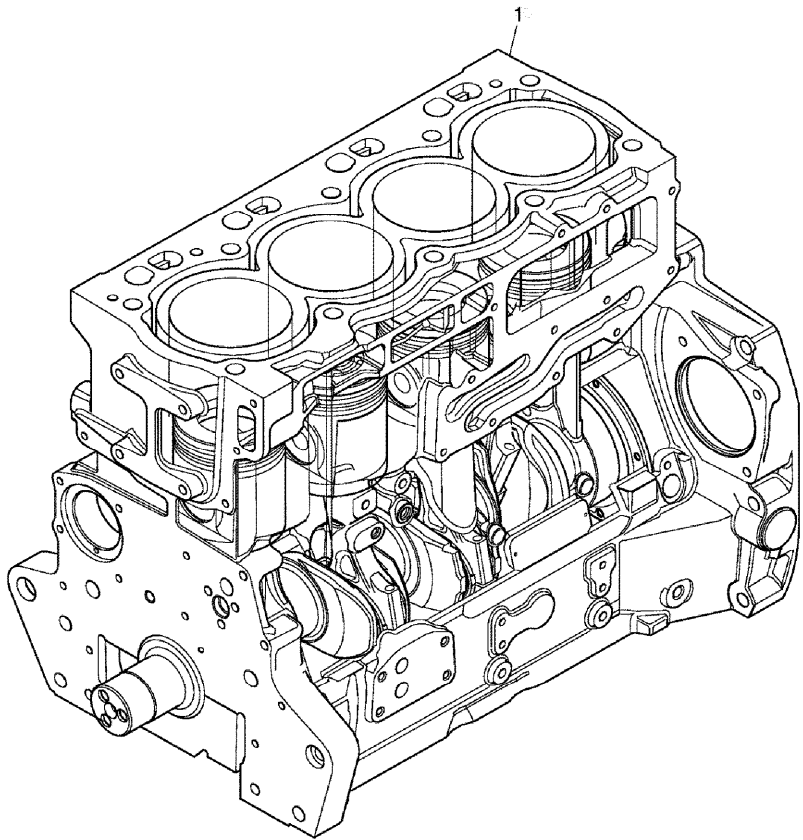
RP53\000015070.png

A-05
02



A0502

Short engine



1 NM40008



3115A141(1),
32186146(3), NM4



Replacement

Inglese

1 Short engine

Engine

F/XL Tier 3 (2008-2009) - RP53 - F105 GE/XL

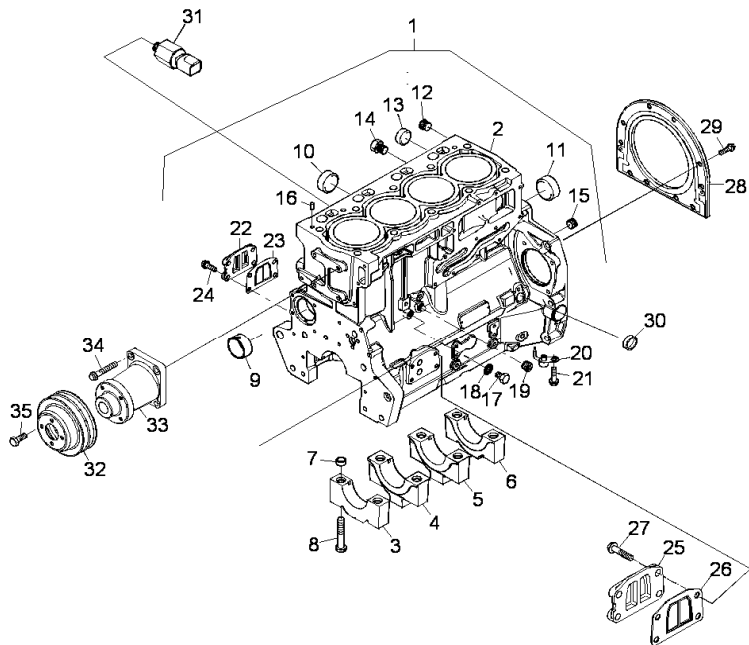
RP53\000015197.png

**A-05
03**



A0503

Cylinder block



			Inglese
1	↯	A-05 02 01	1 Cylinder block
1	↯	A-05 02 01	1 Cylinder block
2	!	1	1 Block
	➡	Ref.n.1	
3	!	1	1 Cap
	➡	Ref.n.1	
4	!	1	2 Cap
	➡	Ref.n.1	
5	!	1	1 Cap
	➡	Ref.n.1	
6	!	1	1 Cap
	➡	Ref.n.1	
7	!	1	10 Manicott
8	!	1	10 Screw
9	!	1	1 Bush
	●	3112D075(1)	
10	!	1	2 Plug
10	!	1	2 Plug
11	!	1	1 Plug
11	!	1	1 Plug
12	!	1	1 Plug
13	!	1	1 Plug
14	!	1	1 Plug
14	!	1	1 Plug
15	!	1	1 Plug

<https://www.ebooklibonline.com>

Hello dear friend!

Thank you very much for reading.

Enter the link into your browser.

The full manual is available for immediate download.

<https://www.ebooklibonline.com>

Engine

F/XL Tier 3 (2008-2009) - RP53 - F105 GE/XL

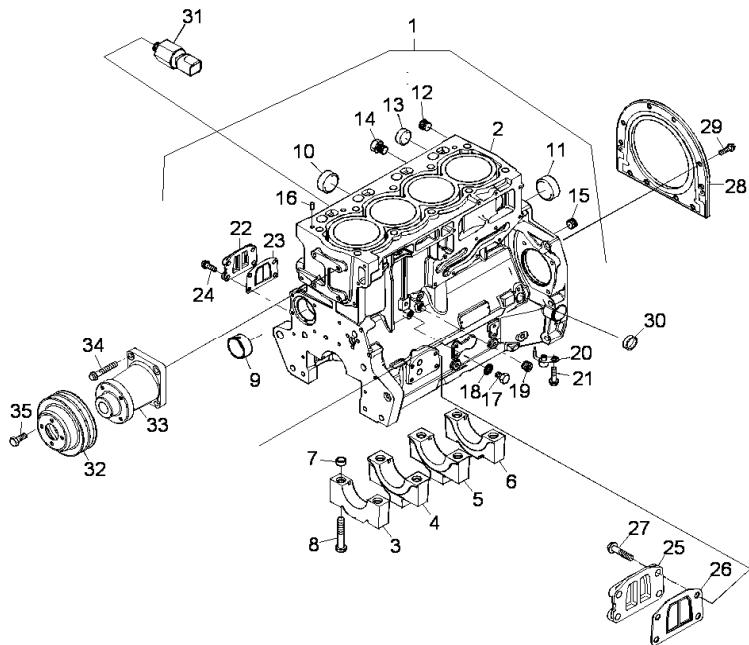
RP53\000015197.png

**A-05
03**



A0503

Cylinder block



		Inglese	
15	3212P008	!	1 Plug
16	3244A009	!	2 Dowel
17	2314C049	!	1 Screw
18	2415D053	!	1 Washer
19	0650594	!	1 Plug
20	2113A003	!	4 Atomiser
21	2314F001	!	4 Screw
22	3753A071	!	1 Coperch.
23	3688A041	!	1 Gasket
24	2314H034	!	4 Screw
26	3688A041	T-A 0:50	1 Ring
27	2314H034		4 Screw
28	2418F704	(X) 0.1.4. T-A 11:0	1 Housing
29	3211C002		10 Screw
30	2485A109		1 Plug
31	2848A051		1 Kit
32	3115C161		1 Pulley
33	4113K005		1 Housing
34	2314J005		4 Screw
35	2314C044		4 Screw

- ! This is a component of an assembly
- <> See page - reference number
- 🔧 Not serviced, order
- Replacement
- (X) Qty per tractors sold (aa.bbb.ccc.ddd) (aa) for 1,(bbb) 2-10 (ccc) 11-25 (ddd) 26-50

Engine

F/XL Tier 3 (2008-2009) - RP53 - F105 GE/XL

RP53\000015197.png

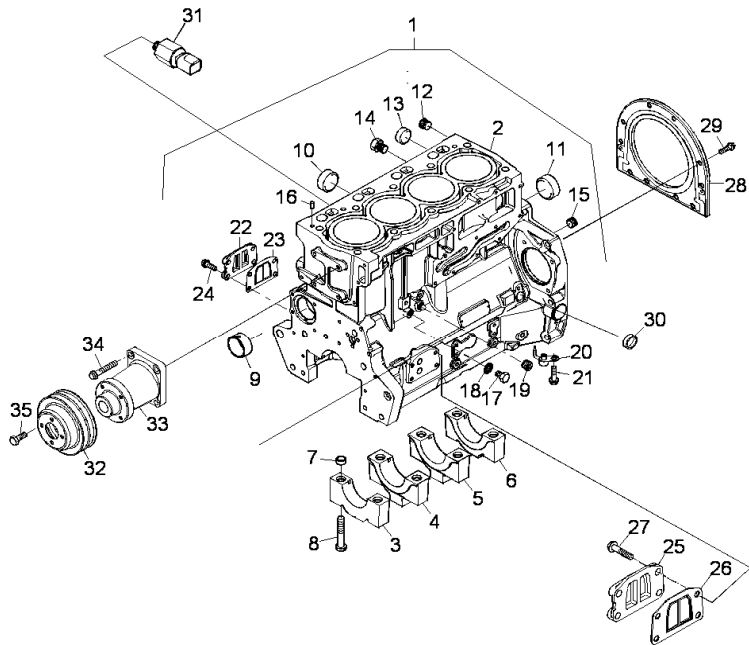
**A-05
03**



A0503

Cylinder block

T-A Replacement



Engine

F/XL Tier 3 (2008-2009) - RP53 - F105 GE/XL

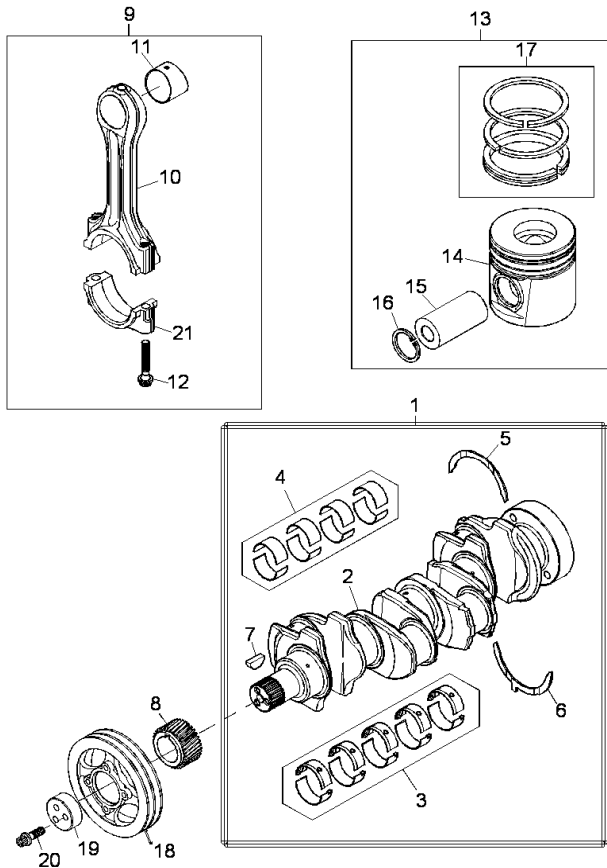
RP53\000015199.png

A-05
04



A0504

Crankshaft, pistons and connecting rods



Inglese

1	ZZ90222	➔	U491476 t	1	Kit
		●	ZZ90239(1)		
1	ZZ90222P	●	N.L.A.(1)	1	Kit
1	ZZ90237	➔	U491477 t	1	Shaft
2		!	1	1	Crankshaft
		➔	Ref.n.1		
3	U5MB0018	!	1	1	Kit
		●	U5MB0033(1)		
		T-A	18:50		
3	U5MB0018A	✂	(+)0.010"	1	Kit
		!	1		
		●	U5MB0033A(1)		
		T-A	18:50		
3	U5MB0018B	✂	(+)0.020"	1	Kit
		!	1		
		●	U5MB0033B(1)		
		T-A	18:50		
3	U5MB0018C	✂	(+)0.030"	1	Kit
		!	1		
		●	N.L.A.(1)		
		T-A	18:50		
4	T400002	!	1	1	Kit
		➔	U491477 t		
		●	T410927(1)		

Engine

F/XL Tier 3 (2008-2009) - RP53 - F105 GE/XL

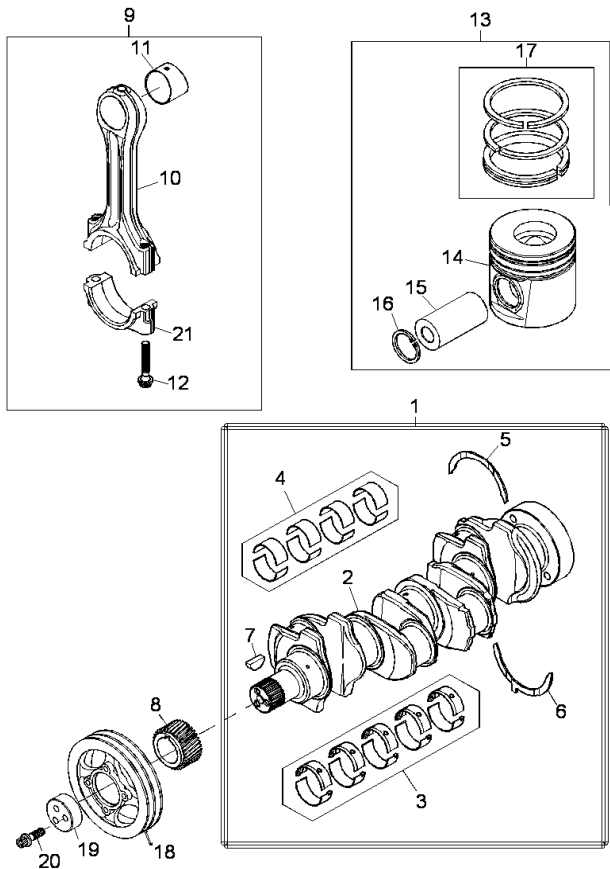
RP53\000015199.png

A-05
04



A0504

Crankshaft, pistons and connecting rods



Inglese

4	U5ME0026	!	1	1 Kit
		➔	U491476 t	
		●	U5ME0034(1)	
4	U5ME0026A	!	1	1 Kit
		⚡	(+)0.75 mm	
		➔	U491476 t	
		●	U5ME0034A(1)	
4	U5ME0026B	!	1	1 Kit
		⚡	(+)0.50 mm	
		➔	U491476 t	
		●	U5ME0034B(1)	
4	U5ME0026C	⚡	(+)0.75 mm	1 Kit
		!	1	
		➔	U491476 t	
		●	U5ME0034C(1)	
5	31137312	⚡	(+)0.007"	2 Ring
		!	1	
		T-A	18:50	
5	31137551	!	1	2 Washer
		T-A	18:50	
6	31137322	⚡	(+)0.007"	2 Ring
		!	1	
		T-A	18:50	
6	31137561	!	1	2 Washer
		T-A	18:50	
7	0500012	!	1	1 Key

Engine

F/XL Tier 3 (2008-2009) - RP53 - F105 GE/XL

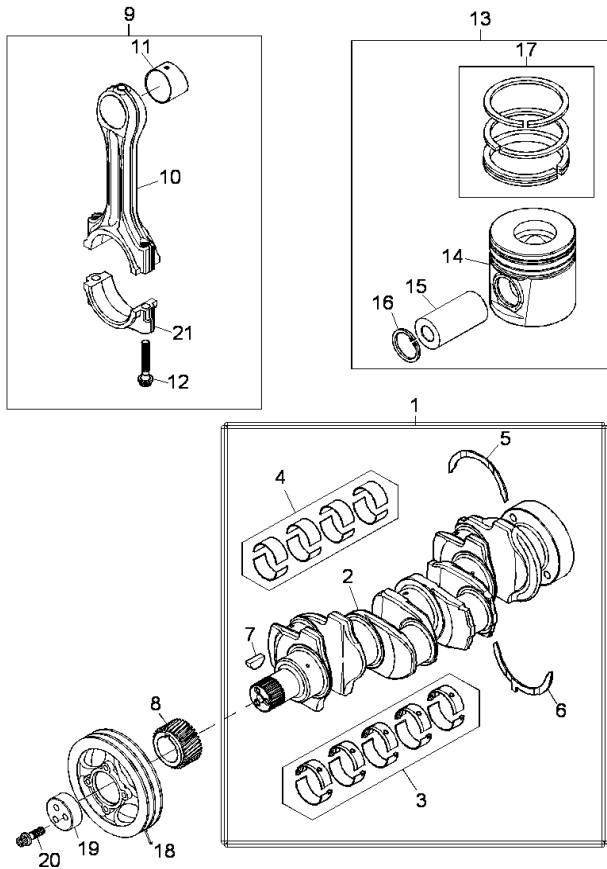
RP53\000015199.png

**A-05
04**



A0504

Crankshaft, pistons and connecting rods



				Inglese
8	3117C221	T-A	13:0	1 Gear
9	4115C311	➔	U491477 t	4 Kit
				F
				T-A 17:0
9	4115C312	➔	U491477 t	4 Kit
				E
				T-A 17:0
9	4115C313	➔	U491477 t	4 Kit
				D
				T-A 17:0
9	4115C314	➔	U491477 t	4 Kit
				C
				T-A 17:0
9	4115C315	➔	U491477 t	4 Kit
				B
				T-A 17:0
9	4115C316	➔	U491477 t	4 Kit
				A
				T-A 17:0
9	4115C361	➔	U491478 t	4 Conrod
				F
9	4115C362	➔	U491478 t	4 Conrod
				E
9	4115C363	➔	U491478 t	4 Conrod
				D

Engine

F/XL Tier 3 (2008-2009) - RP53 - F105 GE/XL

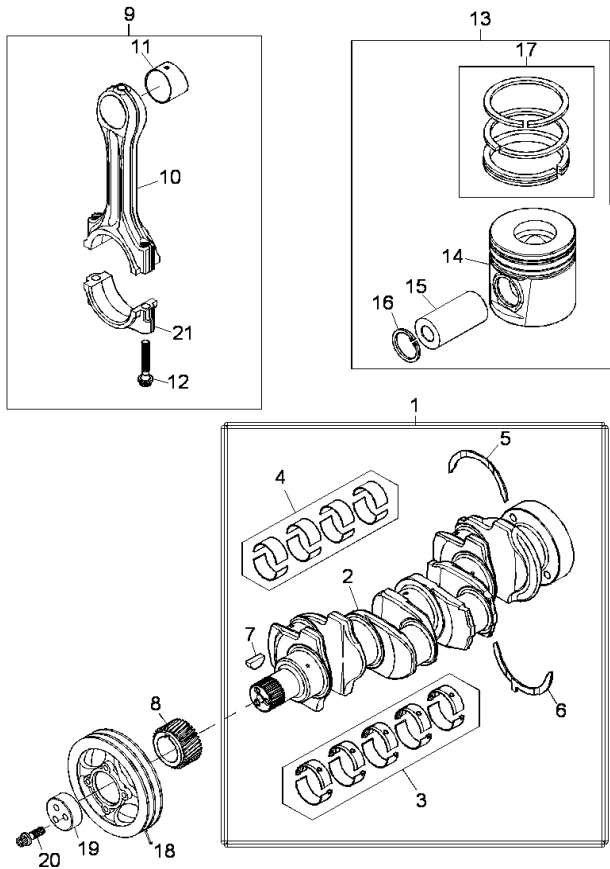
RP53\000015199.png

**A-05
04**



A0504

Crankshaft, pistons and connecting rods



		Inglese	
9	4115C364	➡ U491478 t C	4 Conrod
9	4115C365	➡ U491478 t B	4 Conrod
9	4115C366	➡ U491478 t A	4 Conrod
10		! 9	1 Conrod
		➡ Ref.n.9	
11	3112A005	! 9 T-A 17:0	1 Bush
12	3212V003	! 9	2 Screw
13	U5PR0062	Std	4 Kit
13	U5PR0062B	+0,5 mm	4 Kit
14		! 13	1 Piston
		➡ Ref.n.13	
15		! 13	1 Pin
		➡ Ref.n.1	
16	2721332	! 13	2 Ring
17	UPRK0005	! 13	1 Kit
18	3115T051	T-A 2:0	1 Pulley
19	3241N001	T-A 2:0	1 Block
20	32186137		3 Screw
21		! 9	1 Cover
		➡ Ref.n.9	

! This is a component of an assembly
➡ From serial or engine number

Engine

A-05
04

Crankshaft, pistons and connecting rods

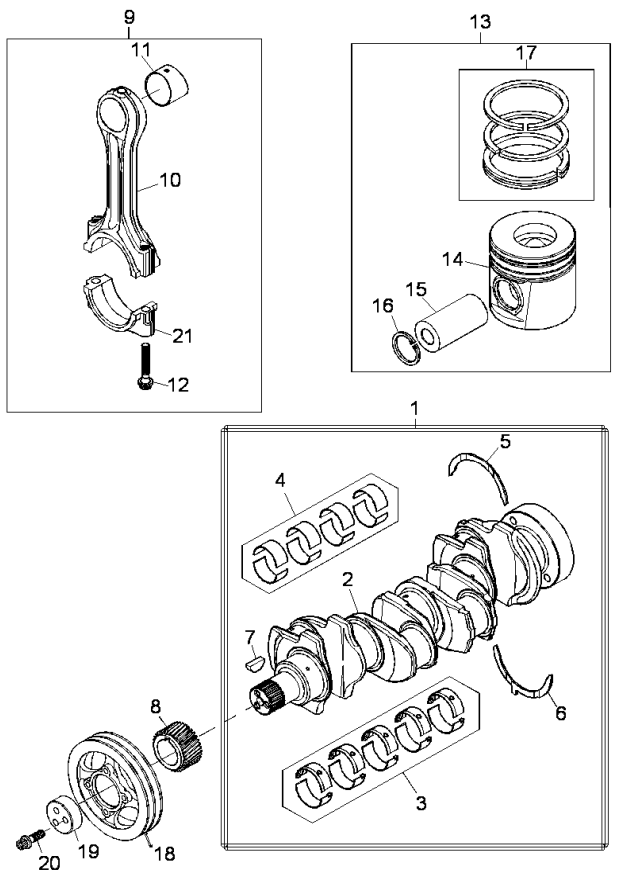
F/XL Tier 3 (2008-2009) - RP53 - F105 GE/XL



A0504

RP53\000015199.png

- Up to serial or engine number
- Not serviced, order
- Shim
- Replacement
- T-A Replacement
- A Blue
- B Purple
- C Green
- D White
- E Orange
- F Red



Engine

F/XL Tier 3 (2008-2009) - RP53 - F105 GE/XL

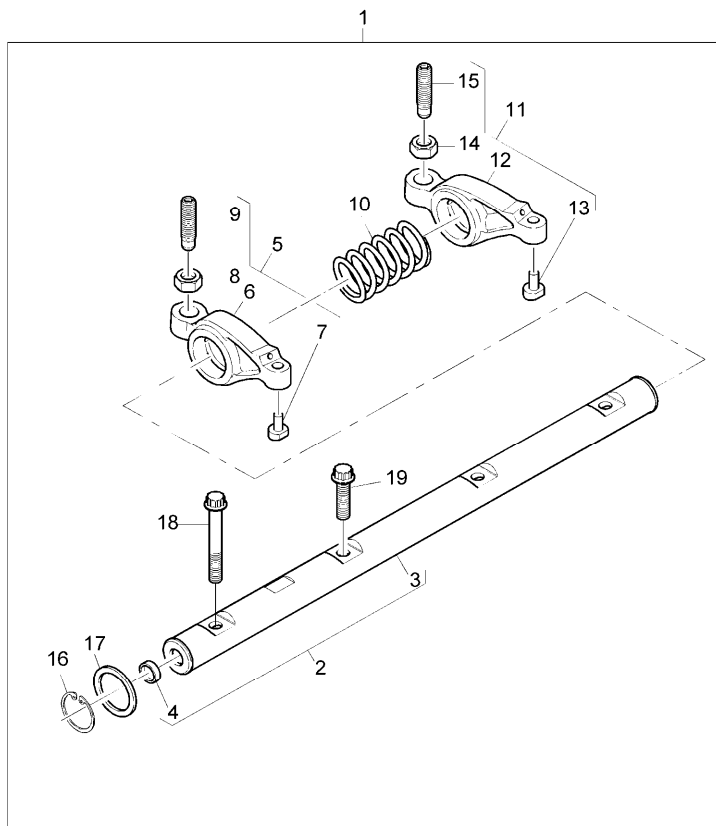
RP53\000015204.png

A-05
06



A0506

Rocker shaft



		Inglese
1	4115R613	1 Axle
2	4115R703	1 Shaft
	T-A 4:0	
3	!	1 Shaft
	➡ Ref.n.2	
4	2485A104	2 Plug
	T-A 4:0	
5	4115R319	4 Lever
6	!	1 Rocker
	➡ Ref.n.5	
7	!	1 Shim
	➡ Ref.n.5	
8	3331A006	1 Nut
9	3211C004	1 Screw
10	3174A015	3 Spring
	T-A 4:0	
11	4115R318	4 Lever
12	!	1 Rocker
	➡ Ref.n.11	
13	!	1 Shim
	➡ Ref.n.11	
14	3331A006	1 Nut
15	3211C004	1 Screw
16	2722A022	2 Ring
17	2134A502	2 Washer
	T-A 4:0	

Engine

F/XL Tier 3 (2008-2009) - RP53 - F105 GE/XL

RP53\000015204.png

A-05
06



A0506

Rocker shaft

Inglese

18 2316A901 ! 1

1 Screw

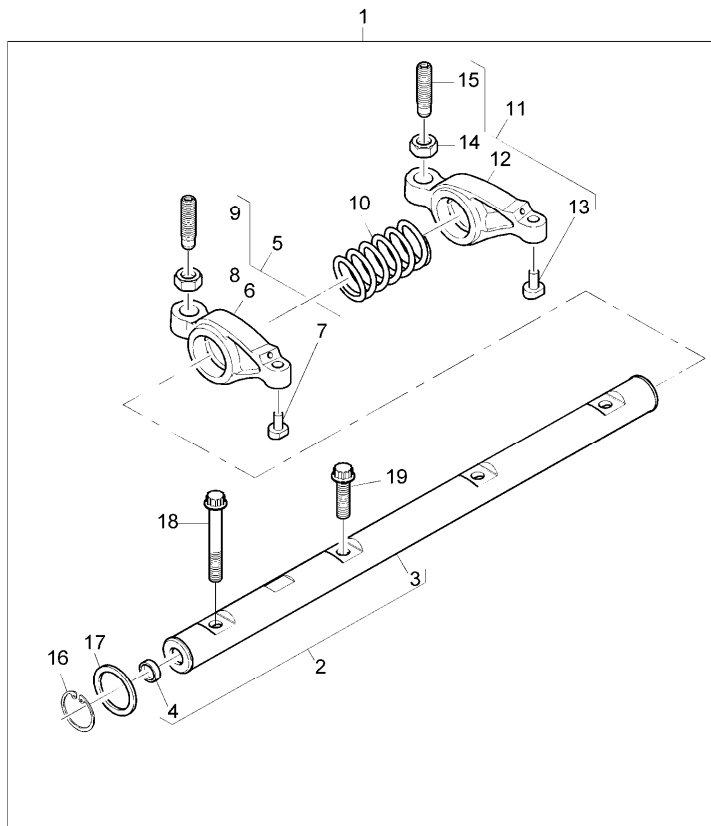
19 2316A902 ! 1

3 Screw

! This is a component of an assembly

Not serviced, order

T-A Replacement



Engine

F/XL Tier 3 (2008-2009) - RP53 - F105 GE/XL

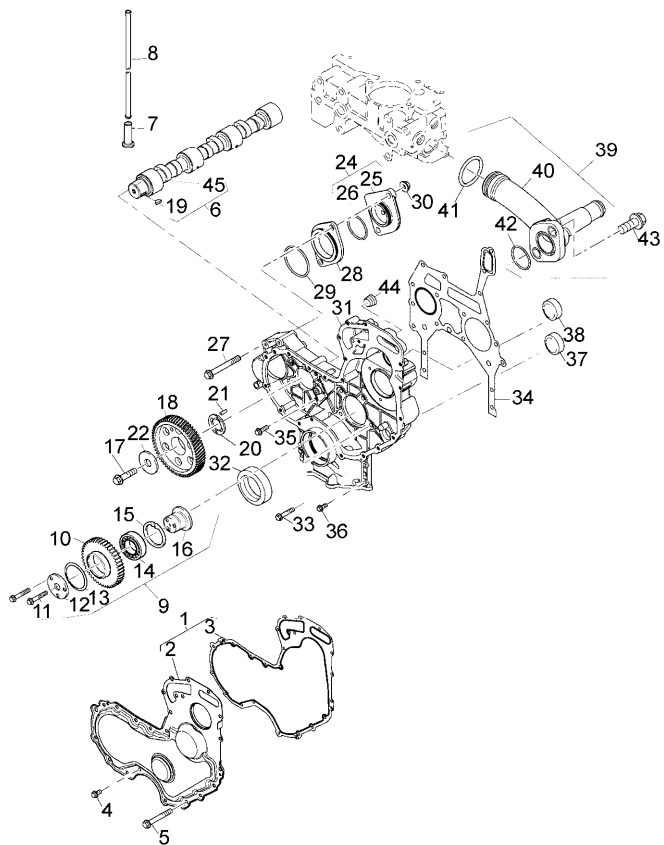
RP53\000015206.png

**A-05
07**



A0507

Timing gear and camshaft



1 4142A503

2

3 3681P046

4 2314H002

5 2314H012

6 4112K032

7 3142U061

8 3142V011

9 4111A028

10

11 2314C037

12 3241A013

13 2559A001

14 2558A501

15 2721B064

16 3272A015

!

1



Ref.n.1



1

(X)

1.3.5.

T-A

4:50



4112K077(1)



4111A048(1)

T-A

4:75

!

9



Ref.n.9

!

9

!

9

T-A

4:75

!

9

T-A

4:75

!

9

T-A

4:75

!

9

T-A

4:75

!

9

T-A

4:75

Inglese

1 Kit

1 Overlay

1 Gasket

9 Screw

5 Screw

1 Shaft

8 Tappet

8 Rod

1 Gear

1 Gear

1 Screw

1 Disc

2 Washer

1 Cuscinet

2 Ring

1 Hub

Engine

F/XL Tier 3 (2008-2009) - RP53 - F105 GE/XL

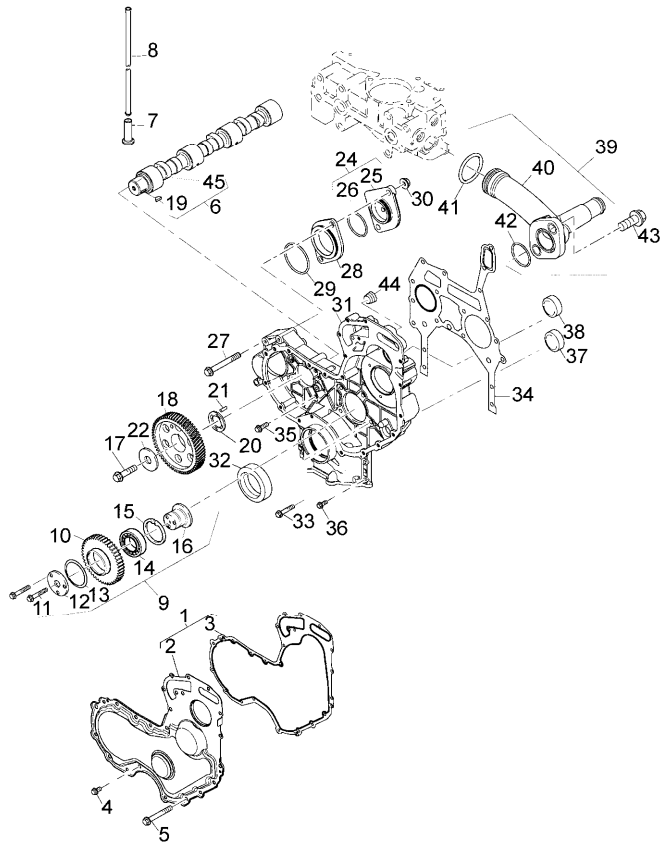
RP53\000015206.png

**A-05
07**



A0507

Timing gear and camshaft



		Inglese
17	2314J606	1 Screw
18	3117L271	1 Gear
	● 3117L272(1)	
	T-A 4:75	
19	0500012	1 Key
20	3321A003	1 Washer
	T-A 4:75	
21	2116053	1 Pin
22	3112X011	1 Washer
23	2314J012	3 Screw
24	4148K012	1 Plate
	T-A 4:75	
25	!	24
	! 24	1 Plate
	➡ Ref.n.24	
26	2415H515	1 Ring
	!	24
27	2314J014	2 Screw
	T-A 4:75	
28	3617A021	1 Disc
	T-A 4:75	
29	2415H516	1 O ring
30	2318A604	2 Nut
31	3716C581	1 Housing
32	2418F437	1 Gasket
33	2314H006	2 Screw
34	3681P053	1 Gasket
35	2314H003	6 Screw
36	2314H034	4 Screw
36	2485A124	Plug
37	2485A124	1 Plug
39	4133L048	1 Connection
	T-A 4:75	

Engine

F/XL Tier 3 (2008-2009) - RP53 - F105 GE/XL

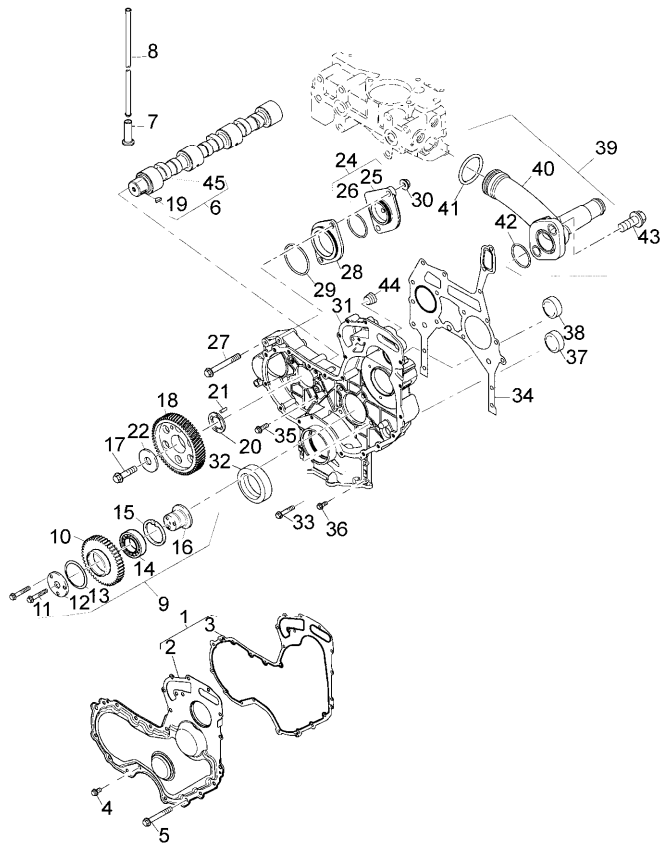
RP53\000015206.png

**A-05
07**



A0507

Timing gear and camshaft



Inglese

40	!	39	1 Connection
	➡	Ref.n.39	
41	2418F002	!	39
		T-A	4:75
42	2418F001	!	39
		T-A	4:75
43	2314H003		2 Screw
44	2431154		3 Plug
45		➡	Ref.n.6
		!	6

! This is a component of an assembly

➡ Not serviced, order

● Replacement

(X) Qty per tractors sold (aa.bbb.ccc.ddd) (aa) for 1,(bbb) 2-10 (ccc) 11-25 (ddd) 26-50

T-A Replacement

Engine

F/XL Tier 3 (2008-2009) - RP53 - F105 GE/XL

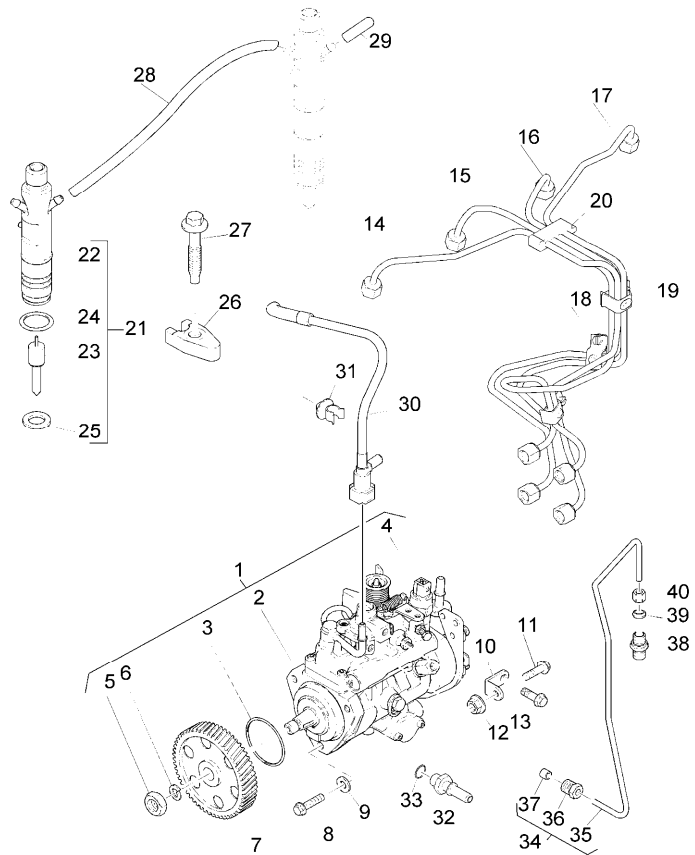
RP53\000015210.png

**A-05
08**



A0508

Fuel injection equipment (diesel)



- | | | | |
|----|-------------|---|----------|
| 1 | 2644C313/22 | | |
| 2 | | ! | 1 |
| | | ➡ | Ref.n.1 |
| 3 | 26420318 | ! | 1 |
| 4 | 26420469 | ! | 1 |
| 5 | 2318A108 | ! | 1 |
| 6 | K134AF01 | ! | 1 |
| 7 | 3117L261 | | |
| 8 | 2314H004 | | |
| 9 | 2411D008 | | |
| 10 | 3641A007 | | |
| 11 | 2314H003 | | |
| 12 | 2318A603 | | |
| 13 | 2314J002 | | |
| 14 | 3525A101 | | |
| 15 | 3525A102 | | |
| 16 | 3525A103 | | |
| 17 | 3525A104 | | |
| 18 | 2481Y011 | | |
| 19 | 2481Y012 | | |
| 20 | 2646E019 | | |
| 21 | 2645K025 | | |
| 22 | | ➡ | Ref.n.21 |
| | | ! | 21 |

Inglese

- | | |
|---|----------|
| 1 | Pump |
| 1 | Pump |
| | |
| 1 | Ring |
| 1 | Solenoid |
| 1 | Nut |
| 1 | Washer |
| 1 | Gear |
| 3 | Screw |
| 3 | Washer |
| 1 | Stirrup |
| 1 | Screw |
| 1 | Nut |
| 1 | Screw |
| 1 | Pipe |
| 1 | Pipe |
| 1 | Pipe |
| 1 | Pipe |
| 2 | Clip |
| 1 | Clip |
| 1 | Clip |
| 1 | Nozzle |
| 1 | Nozzle |

Engine

F/XL Tier 3 (2008-2009) - RP53 - F105 GE/XL

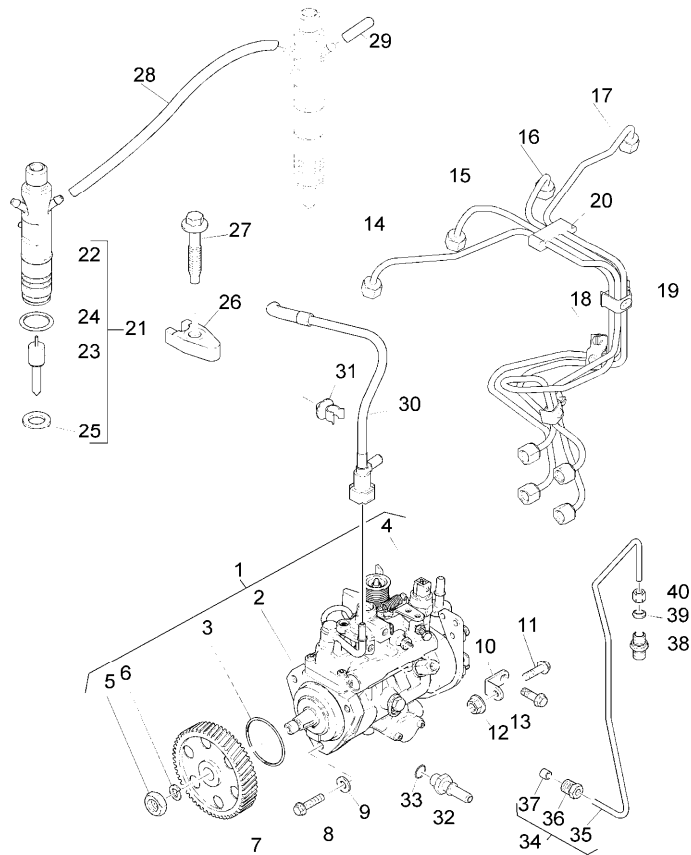
RP53\000015210.png

**A-05
08**



A0508

Fuel injection equipment (diesel)



		Inglese
23	➡ Ref.n.21 ! 21	1 Jet
24	26460064 ! 21	1 Ring
25	L311FF02 ! 21	1 Washer
26	3751A241	4 Clamp
27	2314W009	4 Screw
28	2646F501	3 Pipe
29	2646E501	1 Cap
30	2646F007	1 Pipe
31	2481D456	1 Clip
32	3346A009	1 Connection
33	2415H009	1 O ring
34	4121A064	1 Pipe
35	! 34	1 Pipe
36	➡ Ref.n.34 ➡ Ref.n.34	1 Nut
37	33811112 ! 34	1 Spinner
38	0206006 ● N.L.A.(1)	1 Union
39	0566002	1 Olive
40	0576111	1 Nut
!	This is a component of an assembly	
➡	Not serviced, order	
●	Replacement	

Engine

F/XL Tier 3 (2008-2009) - RP53 - F105 GE/XL

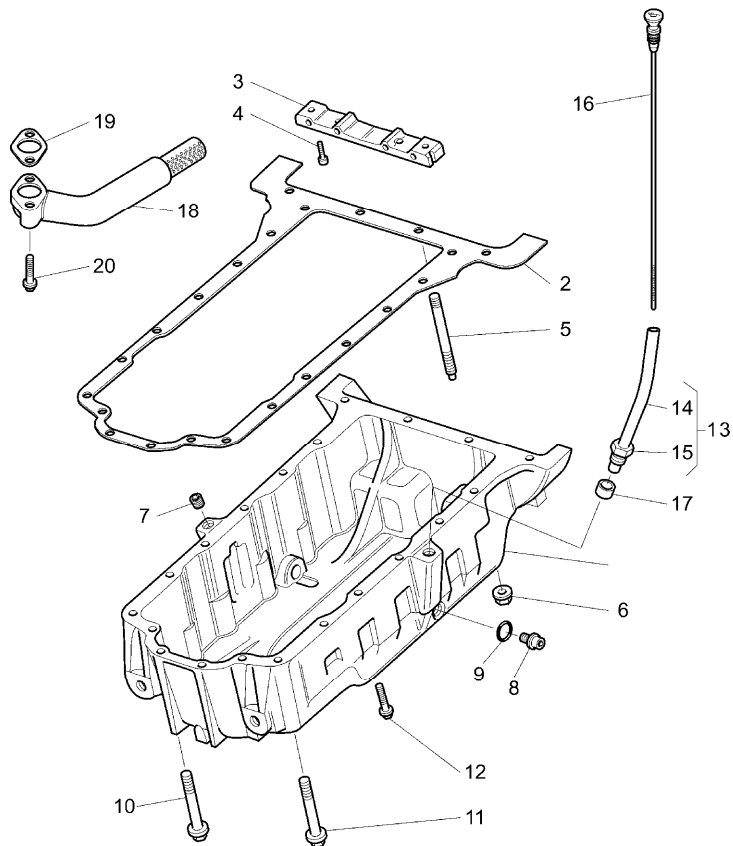
RP53\00011008.png

**A-05
09**



A0509

Lubricating oil sump



1	3717E271	T-A	2:0
2	3681K036	(X)	1.2.3.
		T-A	2:0
3	3627P041	T-A	2:0
4	2311D039		
5	3211P013		
6	2318A603		
7	2431A016		
8	32186405		
9	2415715		
10	2314H023		
11	2314H022	●	2314H052(1)
12	2314H015		
13	3577A159		
14		!	13
		➡	Ref. n.13
15	3353D005	!	13
16	3178C081	(X)	1.2.4.
		T-A	0:25
17	33812116	T-A	0:25
18	3765A091	T-A	2:25
19	36832137	T-A	2:25
20	2314H006		

Inglese

1	Crankcase
1	Gasket
1	Crosspiece
2	Screw
2	Stud
2	Nut
1	Plug
2	Plug
2	Ring
5	Screw
1	Screw
12	Screw
1	Pipe
1	Pipe
1	Nut
1	Rod
1	Olive
1	Pipe
1	Gasket
2	Screw

! This is a component of an assembly
 ➡ Not serviced, order

Engine

F/XL Tier 3 (2008-2009) - RP53 - F105 GE/XL

RP53\00011008.png

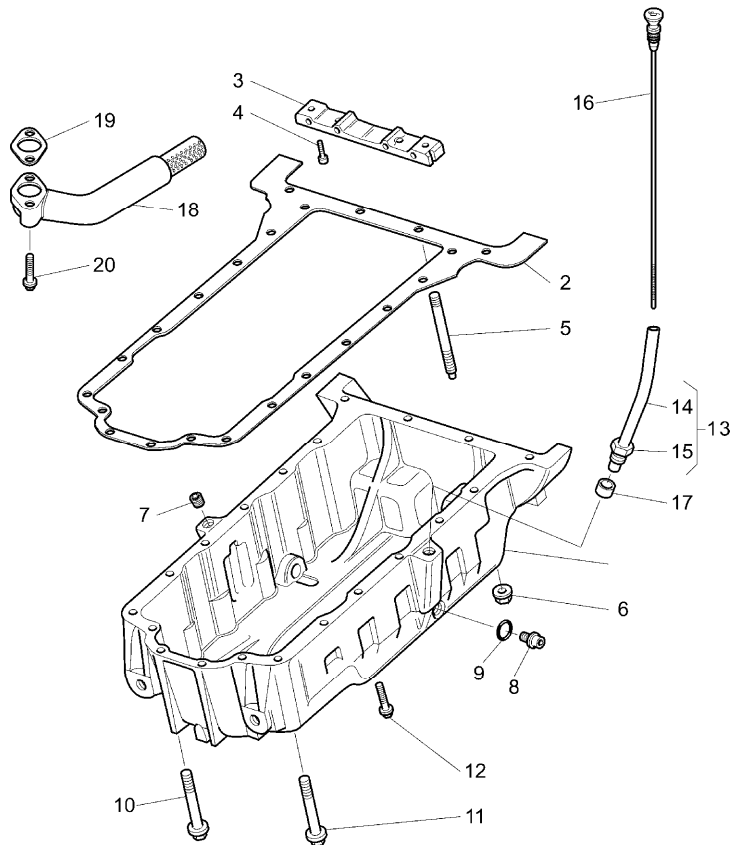
A-05
09



A0509

Lubricating oil sump

- Replacement
- (X) Qty per tractors sold (aa.bbb.ccc.ddd) (aa) for 1,(bbb) 2-10 (ccc) 11-25 (ddd) 26-50
- T-A Replacement



Engine

F/XL Tier 3 (2008-2009) - RP53 - F105 GE/XL

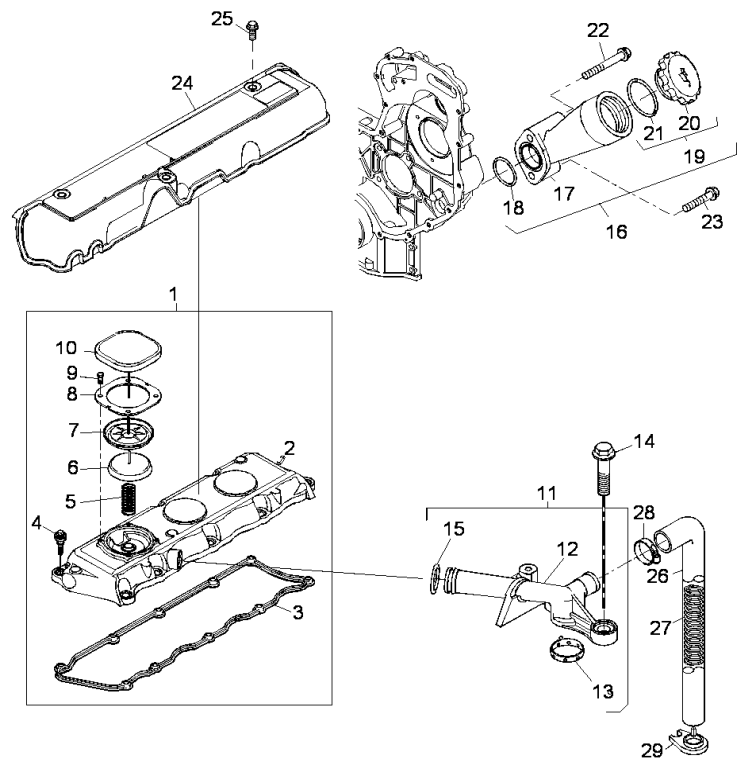
RP53\000015213.png

A-05
10



A0510

Lubricating oil filler and breather



		Inglese	
1	4142X322	● T417513(1)	1 Guard
2		! 1	1 Cover
3	3681A055	➡ Ref.n.1	1 Gasket
		(X) 0.1.3.	
		T-A 1:0	
4		➡ Ref.n.1	10 Screw
		! 1	
5	3174A017	! 1	1 Spring
		T-A 0:50	
6	3788A002	! 1	1 Cap
		T-A 0:25	
7	3789A001	! 1	1 Diaphragm
		T-A 0:25	
8	3615A009	! 1	1 Plate
		T-A 0:25	
9	2151A001	! 1	4 Screw
10	3788A003	! 1	1 Cap
		T-A 0:25	
11	4134K022		1 Pipe
12		! 11	1 Pipe
		➡ Ref.n.11	
13	2415H701	! 11	1 Ring
14	2314F005		2 Screw
15	2415A068	! 11	1 Ring
		T-A 0:50	

Engine

F/XL Tier 3 (2008-2009) - RP53 - F105 GE/XL

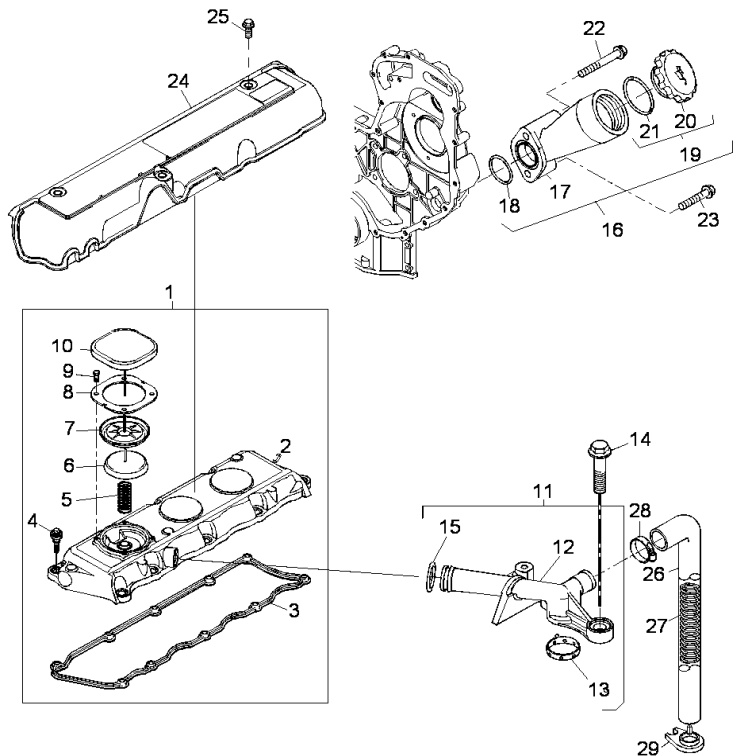
RP53\000015213.png

**A-05
10**



A0510

Lubricating oil filler and breather



Inglese

16	4134C019	●	N.L.S.(1)	1	Filler
17		▶	Ref.n.16	1	Body
		!	16		
18	2415B121	!	16	1	O ring
19	4142X098	!	16	1	Plug
		(X)	1.3.5.		
		T-A	0:25		
20		▶	Ref.n.19	1	Plug
		!	19		
21	2415633	!	19	1	O ring
		T-A	0:25		
22	2314K161			1	Screw
23	2314H008			1	Screw
24	3788N003	T-A	0:50	1	Cover
25	2314F003			3	Screw
26	33872632			1	Pipe
27	3175P003			1	Spring
28	2481877			1	Clamp
29	36241123			1	Support
!	This is a component of an assembly				
▶	Not serviced, order				
●	Replacement				
(X)	Qty per tractors sold (aa.bbb.ccc.ddd) (aa) for 1,(bbb) 2-10 (ccc) 11-25 (ddd) 26-50				
T-A	Replacement				

Engine

F/XL Tier 3 (2008-2009) - RP53 - F105 GE/XL

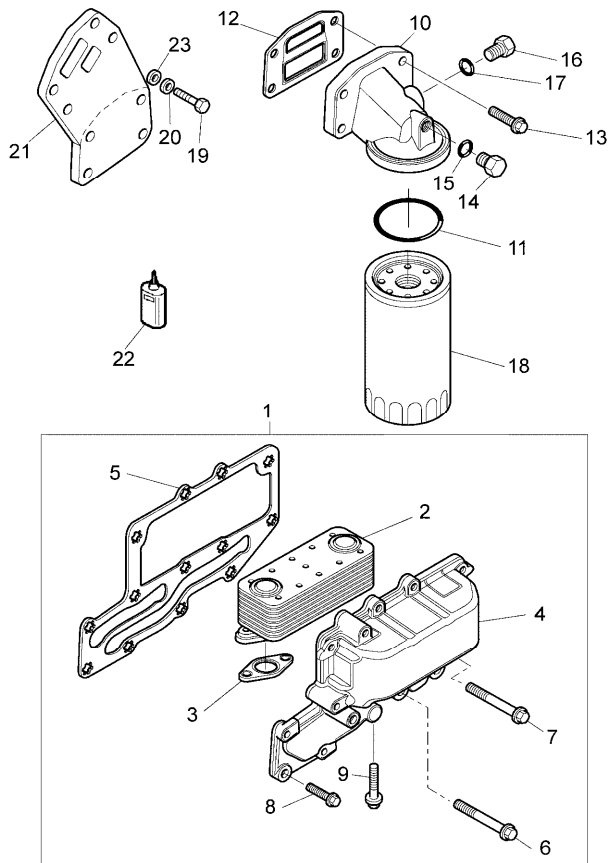
RP53\000015215.png

A-05
11



A0511

Heat exchanger and lubricating oil filter



		Inglese	
1	4134W021	● 4134W025(1)	1 Radiator
2	2486A217	! 1	1 Exchanger
3	3685A025	! 1	2 Ring
4		T-A 1:0	
4		! 1	1 Exchanger
5	3685A033	! 1	1 Gasket
6	2314K161	! 1	3 Screw
7	2314H004	! 1	8 Screw
8	2311D060	! 1	2 Screw
9	2314H006	! 1	4 Screw
10	3773A061		1 Head
11	3672135M1		2 Gasket
12	3688A039	T-A 0:50	1 Gasket
13	2314H034		4 Screw
14	3278A007		1 Plug
15	2415H009	T-A 0:25	1 O ring
16	3278A004		1 Plug
17	2415H002	T-A 0:25	1 Ring
18	701899A1		1 Oil filter
19	1440349X1	M8x30	4 Screw
19	339011X1	M8x45	4 Screw
20	390972X1	● Substitutions error	4 Washer
22	3663814M1	● 1427801M2(999)	999 Loctite
23	339374X1	● Substitutions error	4 Washer

Engine

F/XL Tier 3 (2008-2009) - RP53 - F105 GE/XL



RP53\000015215.png

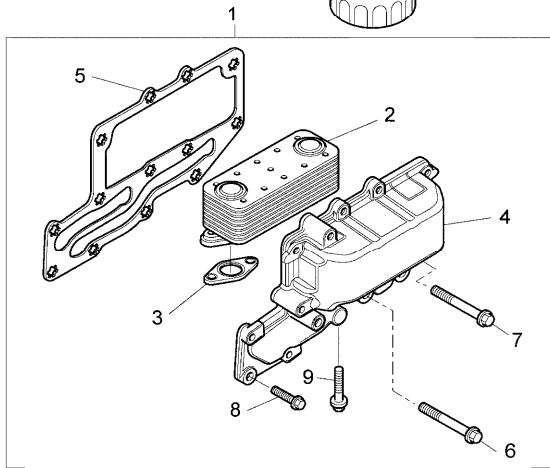
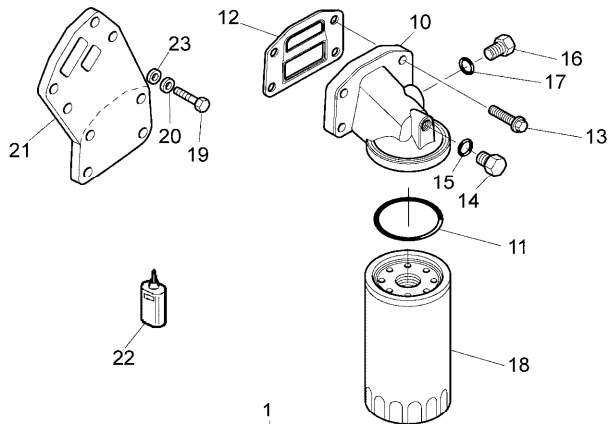
A-05
11



A0511

Heat exchanger and lubricating oil filter

- ! This is a component of an assembly
-  Not serviced, order
-  Replacement
- T-A Replacement



Engine

F/XL Tier 3 (2008-2009) - RP53 - F105 GE/XL

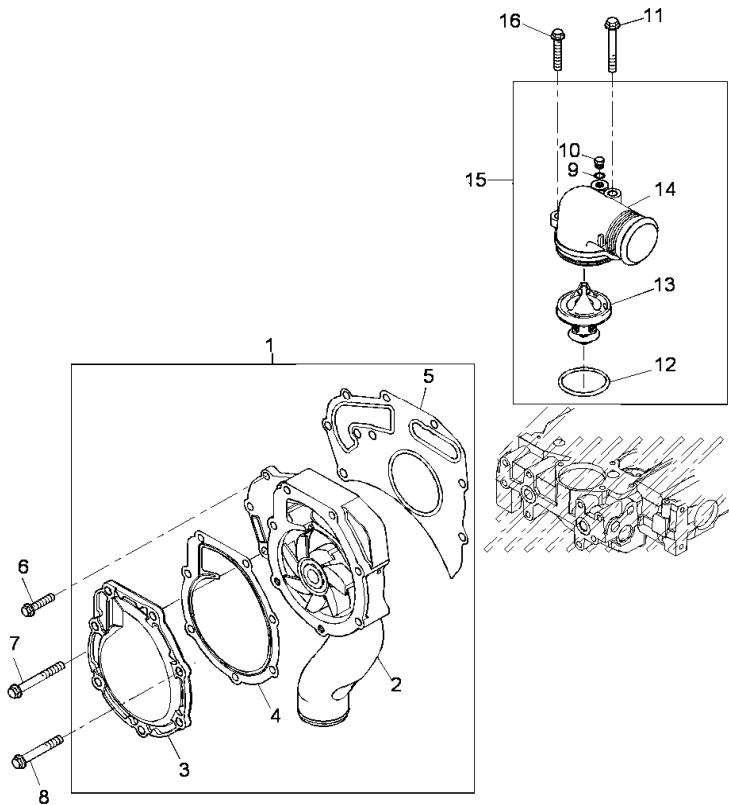
RP53\000015216.png

A-05
12



A0512

Water pump, thermostat and heat exchanger



		Inglese	
1	U5MW0201	● U5MW0208(1)	1 Kit
2		! 1	1 Pump
		➡ Ref.n.1	
3		! 1	1 Cover
		➡ Ref.n.1	
4	24880234	! 1	1 Guard
5	3682A011	! 1	1 Gasket
6	2314H005		2 Screw
7	2314K164		2 Screw
8	2314H012		5 Screw
9	29990016	! 15	1 O ring
10	29990015	! 15	1 Plug
11	2314H012		1 Screw
12	2415H219	! 15	1 Ring
13		➡ Ref.n.15	1 Thermostat
		! 1	
14		➡ Ref.n.15	1 Connection
		! 15	
15	4133L508		1 Connection
16	2314H004		1 Screw
	!	This is a component of an assembly	
	➡	Not serviced, order	
	●	Replacement	

Engine

F/XL Tier 3 (2008-2009) - RP53 - F105 GE/XL

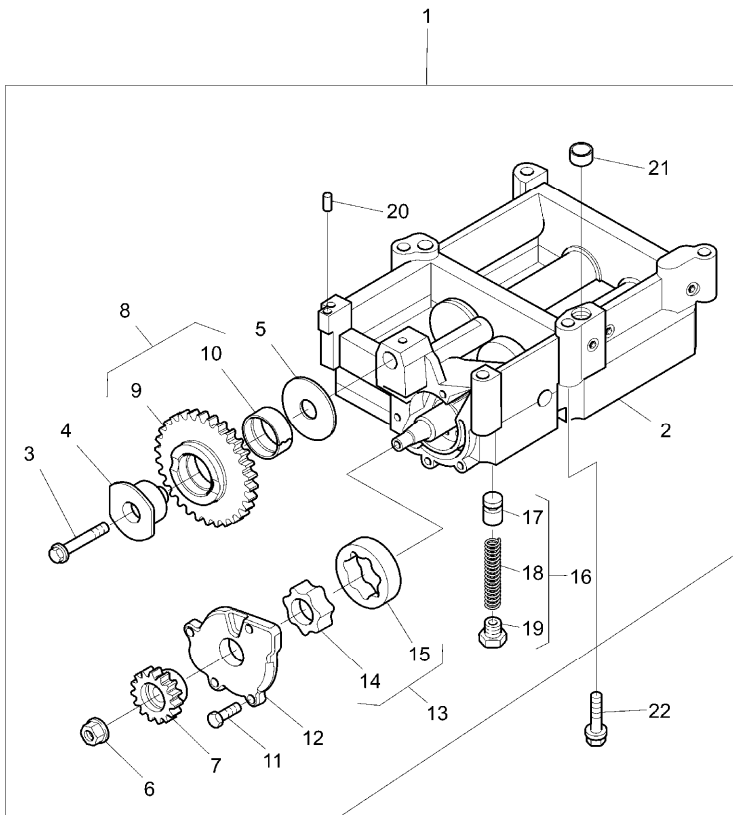
RP53\00011001.png

**A-05
13**



A0513

Oil pump



		Inglese	
1	4111K073	T-A 4:0 T-B 5:0	1 Balancer
2		! 1 ➡ Ref. n.1	1 Frame
3	2314H951	! 1	1 Screw
4	3272A022	! 1	1 Shaft
5	3321A006	! 1	1 Washer
6	2318F605	T-A 5:0 ! 1	1 Nut
7	3117A101	! 1	1 Gear
8	4111A029	T-A 5:0 ! 1	1 Gear
9		T-A 5:0 ! 8	1 Gear
10	3112D031	➡ Ref. n.1 ! 8	1 Cuscinet
11	2314C945	● N.L.A.(1) T-A 5:0 ! 1	5 Screw
12	3753R351	! 1	1 Cover
13	4111K068	T-A 5:0 ! 1	1 Rotor
14		T-A 5:0 ! 13 ➡ Ref. n.13	1 Rotor



Suggest:

For more complete manuals. Please go to the home page.

<https://www.ebooklibonline.com>

If the above button click is invalid. Please download this document first, and then click the above link to download the complete manual.

Thank you so much for reading

Engine

F/XL Tier 3 (2008-2009) - RP53 - F105 GE/XL

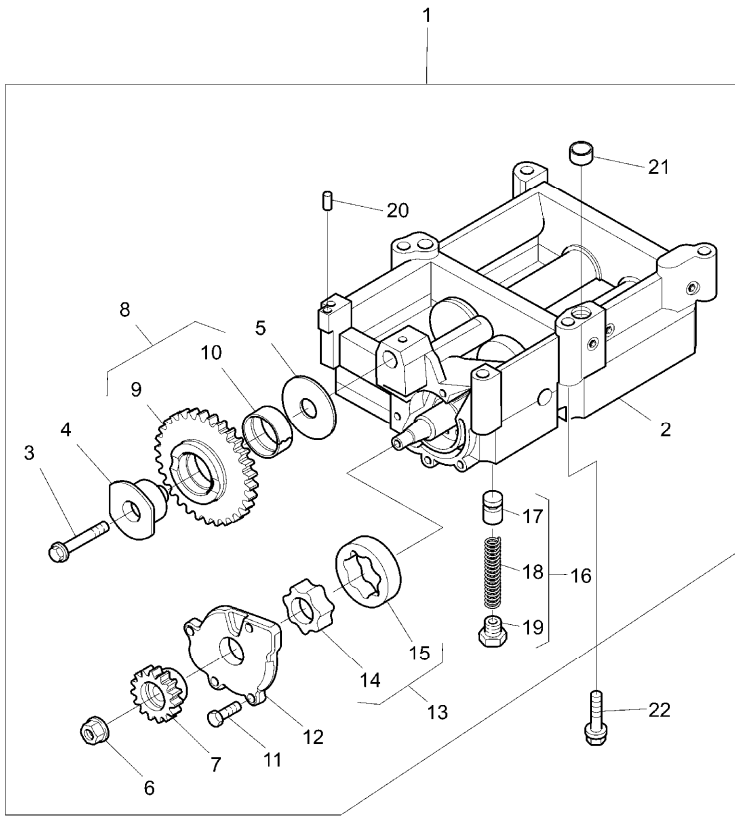
RP53\00011001.png

**A-05
13**



A0513

Oil pump



		Inglese	
15	!	13	1 Rotor
	➡	Ref. n.13	
16	U5MK0695	!	1 Valve
	T-A	5:0	
17	3245A002	!	1 Contact
	T-A	5:0	
18	3174A021	!	1 Spring
	T-A	5:0	
19	3218A013	!	1 Plug
20	3244A013	!	1 Dowel
21	33137409	!	1 Thimble
22	2314J012		6 Screw
! This is a component of an assembly			
➡ Not serviced, order			
● Replacement			
T-A Replacement			
T-B Overhaul			

Engine

F/XL Tier 3 (2008-2009) - RP53 - F105 GE/XL

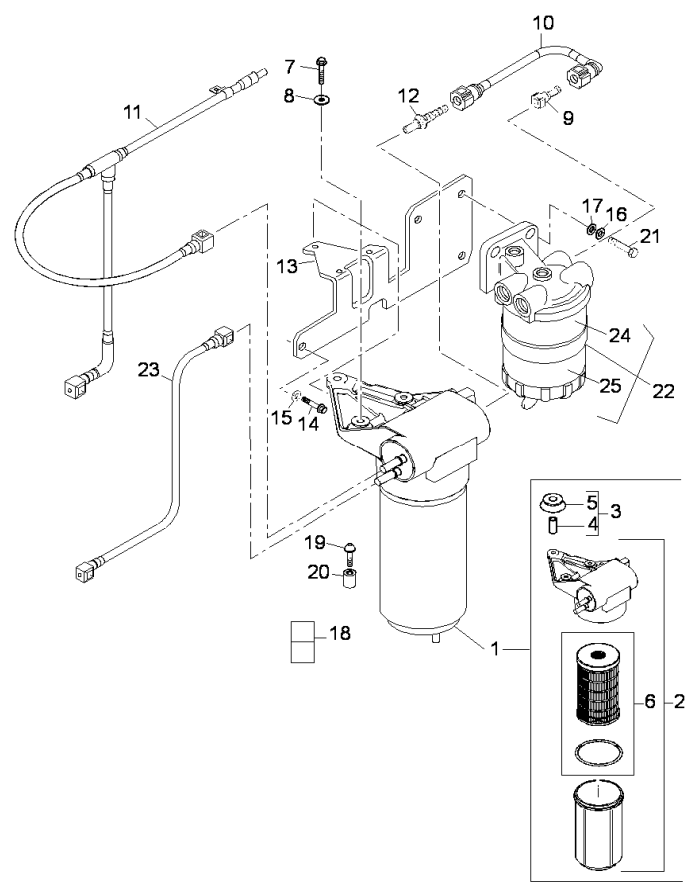
RP53\000015218.png

A-05
14



A0514

Lift pump



		Inglese		
1	3681816M3	●	N.L.S.(1)	1 Filter
2		!	1	1 Pump
		➡	Ref.n.1	
3		!	1	1 Kit
		➡	Ref.n.1	
4		!	3	3 Spacer
		➡	Ref.n.3	
5		!	3	3 Ballast weight
		➡	Ref.n.3	
6	26560201	!	1	1 Kit
		(X)	1.3.7.1	
		T-A	0:25	
7	3009187X1	●	3015110X1(3) M6x40	3 Screw
8	391038X1			3 Washer
9	3681815M1	●	3763A046(1) T-A 0:25	1 Connection
10	4208364M91			1 Pipe
11	3688353M91			1 Pipe
12	3688354M1	T-A	0:25	1 Connection
13	4208295M91	●	4208295M95(1)	1 Support
14	3009678X1		M8x12	1 Screw
14	339123X1	●	000160434210(1) M8x20	1 Screw
15	339374X1	●	Substitutions error	1 Washer

<https://www.ebooklibonline.com>

Hello dear friend!

Thank you very much for reading.

Enter the link into your browser.

The full manual is available for immediate download.

<https://www.ebooklibonline.com>