

Engine

F/XL Tier 3 (2008-2009) - RP53 - F100 GE/XL

RP53\00005170.png

A-05
01



A0501

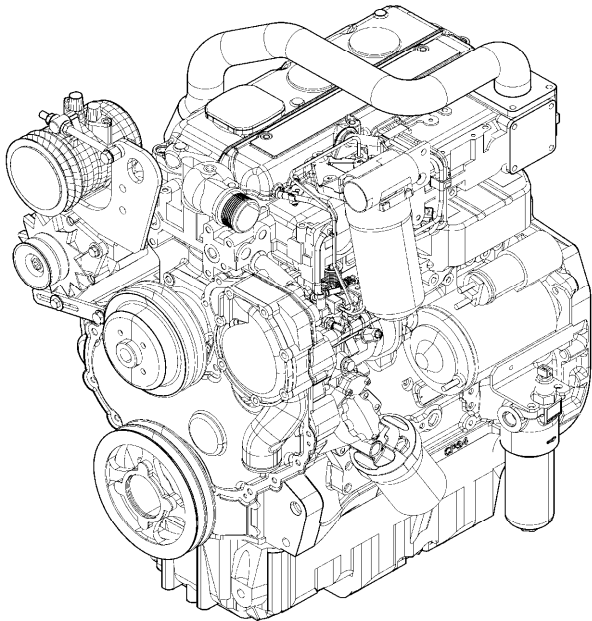
Engine assembly

Inglese

1 3692316M91

"perkins - n138971" 1 Engine
67.5kw

1



Engine

F/XL Tier 3 (2008-2009) - RP53 - F100 GE/XL

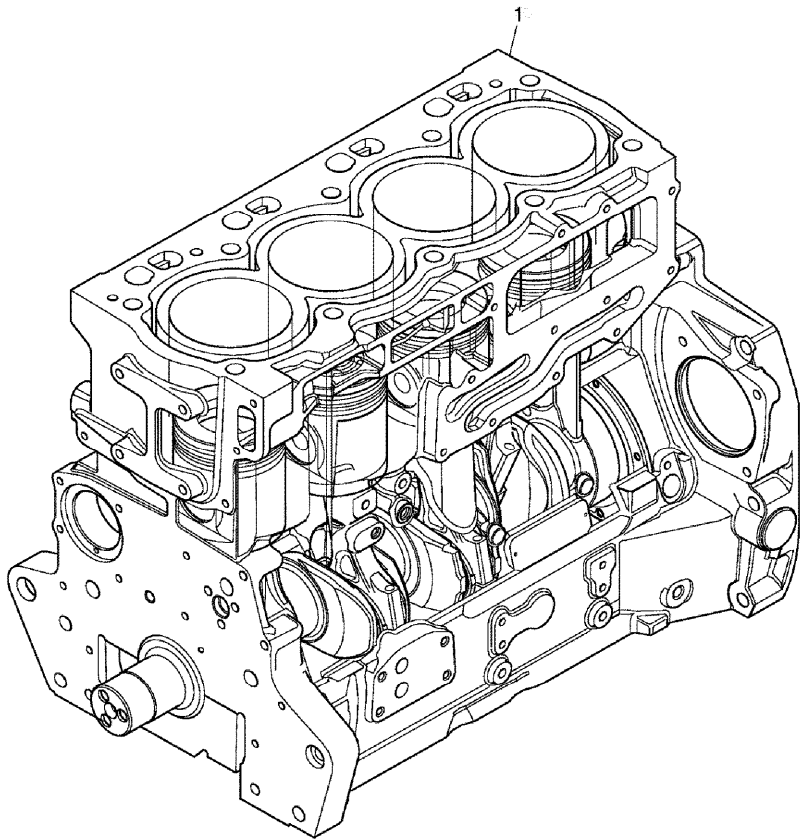
RP53\000015070.png

A-05
02



A0502

Short engine



1 NM40008



3115A141(1),
32186146(3), NM4



Replacement

Inglese

1 Short engine

Engine

F/XL Tier 3 (2008-2009) - RP53 - F100 GE/XL

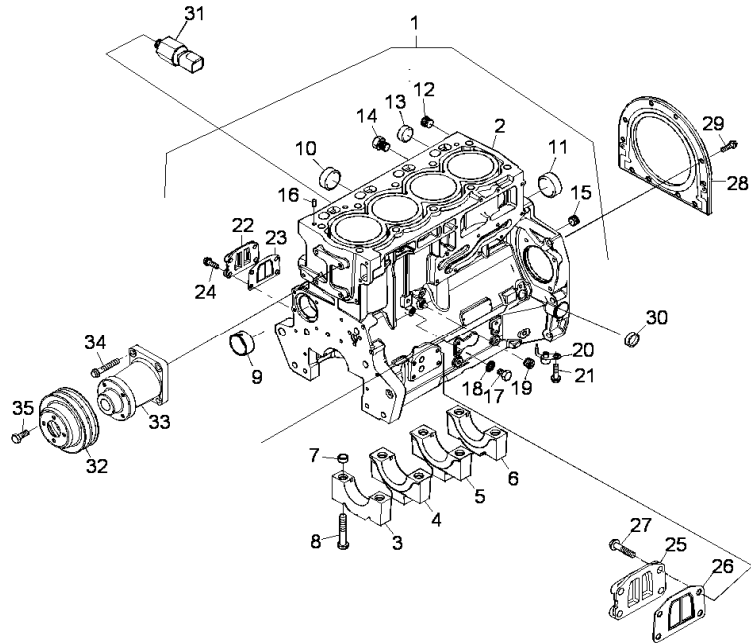
RP53\000015197.png

**A-05
03**



A0503

Cylinder block



			Inglese
1	↔	A-05 02 01	1 Cylinder block
1	↔	A-05 02 01	1 Cylinder block
2	!	1	1 Block
	➡	Ref.n.1	
3	!	1	1 Cap
	➡	Ref.n.1	
4	!	1	2 Cap
	➡	Ref.n.1	
5	!	1	1 Cap
	➡	Ref.n.1	
6	!	1	1 Cap
	➡	Ref.n.1	
7	!	33142111	10 Manicott
8	!	32166329	10 Screw
9	!	3112D071	1 Bush
	●	3112D075(1)	
10	!	3241A011	2 Plug
10	!	3241A011	2 Plug
11	!	3241A012	1 Plug
11	!	3241A012	1 Plug
12	!	0650588	1 Plug
13	!	0650710	1 Plug
14	!	32141316	1 Plug
14	!	32141316	1 Plug
15	!	3212P008	1 Plug

<https://www.ebooklibonline.com>

Hello dear friend!

Thank you very much for reading.

Enter the link into your browser.

The full manual is available for immediate download.

<https://www.ebooklibonline.com>

Engine

F/XL Tier 3 (2008-2009) - RP53 - F100 GE/XL

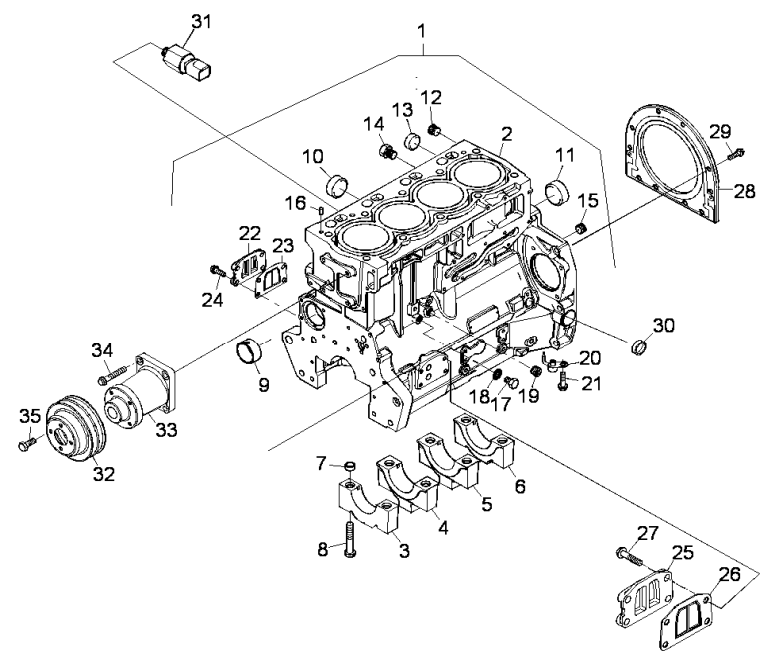
RP53\000015197.png

**A-05
03**



A0503

Cylinder block



		Inglese	
15	3212P008	!	1 Plug
16	3244A009	!	2 Dowel
17	2314C049	!	1 Screw
18	2415D053	!	1 Washer
19	0650594	!	1 Plug
20	2113A003	!	4 Atomiser
21	2314F001	!	4 Screw
22	3753A071	!	1 Coperch.
23	3688A041	!	1 Gasket
24	2314H034	!	4 Screw
26	3688A041	T-A 0:50	1 Ring
27	2314H034		4 Screw
28	2418F704	(X) 0.1.4. T-A 11:0	1 Housing
29	3211C002		10 Screw
30	2485A109		1 Plug
31	2848A051		1 Kit
32	3115C161		1 Pulley
33	4113K005		1 Housing
34	2314J005		4 Screw
35	2314C044		4 Screw

- ! This is a component of an assembly
- <> See page - reference number
- 🔧 Not serviced, order
- Replacement
- (X) Qty per tractors sold (aa.bbb.ccc.ddd) (aa) for 1,(bbb) 2-10 (ccc) 11-25 (ddd) 26-50

Engine

F/XL Tier 3 (2008-2009) - RP53 - F100 GE/XL

RP53\000015197.png

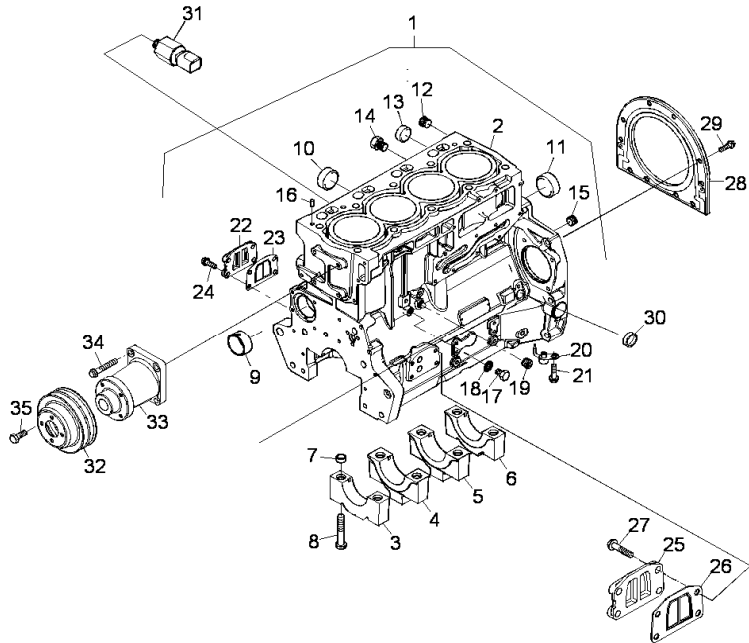
A-05
03



A0503

Cylinder block

T-A Replacement



Engine

F/XL Tier 3 (2008-2009) - RP53 - F100 GE/XL

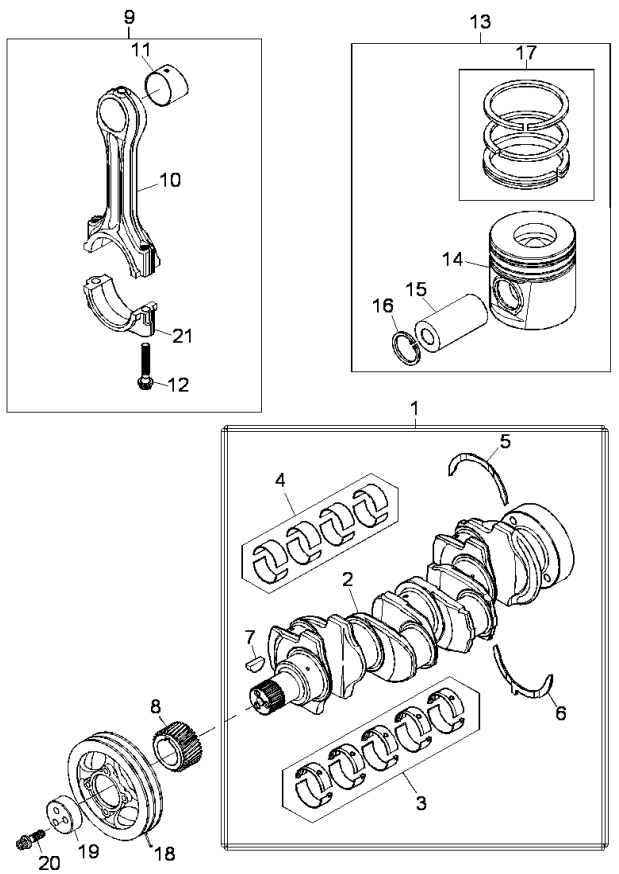
RP53\000015199.png

**A-05
04**



A0504

Crankshaft, pistons and connecting rods



		Inglese
1	ZZ90222	➔ U491476 t ● ZZ90239(1) 1 Kit
1	ZZ90222P	● N.L.A.(1) 1 Kit
1	ZZ90237	➔ U491477 t 1 Shaft
2		! 1 1 Crankshaft
		➔ Ref.n.1
3	U5MB0018	! 1 1 Kit
		● U5MB0033(1) T-A 18:50
3	U5MB0018A	✂ (+)0.010" ! 1 1 Kit
		● U5MB0033A(1) T-A 18:50
3	U5MB0018B	✂ (+)0.020" ! 1 1 Kit
		● U5MB0033B(1) T-A 18:50
3	U5MB0018C	✂ (+)0.030" ! 1 1 Kit
		● N.L.A.(1) T-A 18:50
4	T400002	! 1 1 Kit
		➔ U491477 t ● T410927(1)

Engine

F/XL Tier 3 (2008-2009) - RP53 - F100 GE/XL

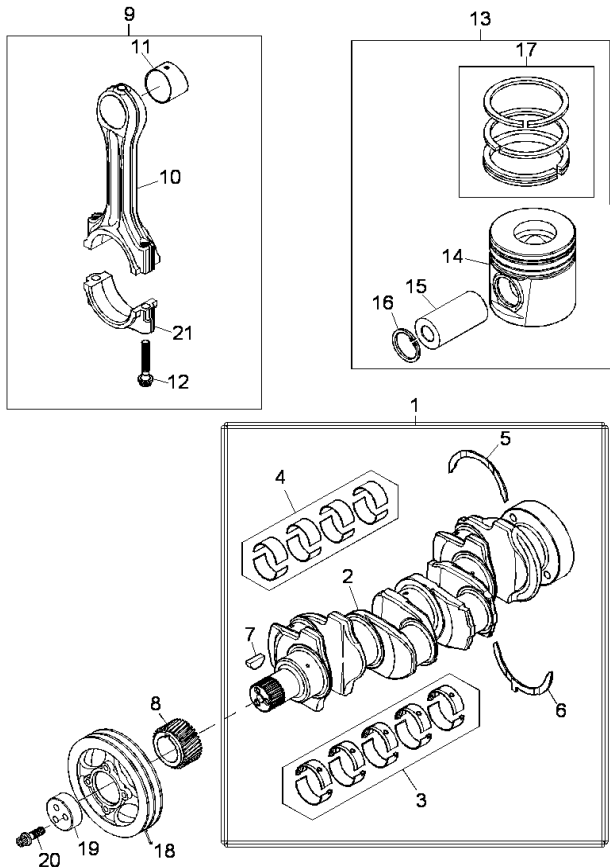
RP53\000015199.png

A-05
04



A0504

Crankshaft, pistons and connecting rods



Inglese

4	U5ME0026	!	1	1 Kit
		➔	U491476 t	
		●	U5ME0034(1)	
4	U5ME0026A	!	1	1 Kit
		⚡	(+)0.75 mm	
		➔	U491476 t	
		●	U5ME0034A(1)	
4	U5ME0026B	!	1	1 Kit
		⚡	(+)0.50 mm	
		➔	U491476 t	
		●	U5ME0034B(1)	
4	U5ME0026C	⚡	(+)0.75 mm	1 Kit
		!	1	
		➔	U491476 t	
		●	U5ME0034C(1)	
5	31137312	⚡	(+)0.007"	2 Ring
		!	1	
		T-A	18:50	
5	31137551	!	1	2 Washer
		T-A	18:50	
6	31137322	⚡	(+)0.007"	2 Ring
		!	1	
		T-A	18:50	
6	31137561	!	1	2 Washer
		T-A	18:50	
7	0500012	!	1	1 Key

Engine

F/XL Tier 3 (2008-2009) - RP53 - F100 GE/XL

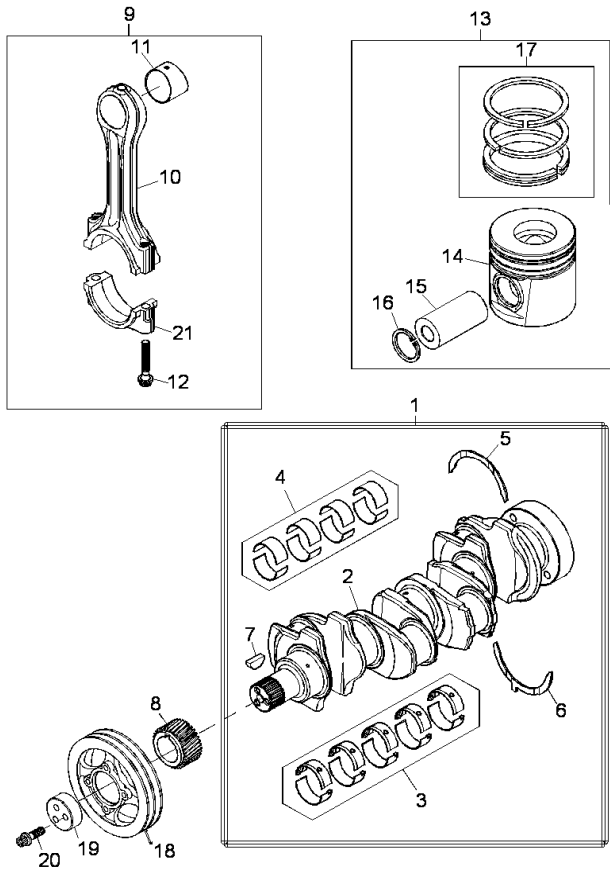
RP53\000015199.png

A-05
04



A0504

Crankshaft, pistons and connecting rods



Inglese

8	3117C221	T-A	13:0	1	Gear
9	4115C311	➔	U491477 t	4	Kit
		F			
		T-A	17:0		
9	4115C312	➔	U491477 t	4	Kit
		E			
		T-A	17:0		
9	4115C313	➔	U491477 t	4	Kit
		D			
		T-A	17:0		
9	4115C314	➔	U491477 t	4	Kit
		C			
		T-A	17:0		
9	4115C315	➔	U491477 t	4	Kit
		B			
		T-A	17:0		
9	4115C316	➔	U491477 t	4	Kit
		A			
		T-A	17:0		
9	4115C361) (U491478 t	4	Conrod
		F			
9	4115C362	➔	U491478 t	4	Conrod
		E			
9	4115C363	➔	U491478 t	4	Conrod
		D			

Engine

F/XL Tier 3 (2008-2009) - RP53 - F100 GE/XL

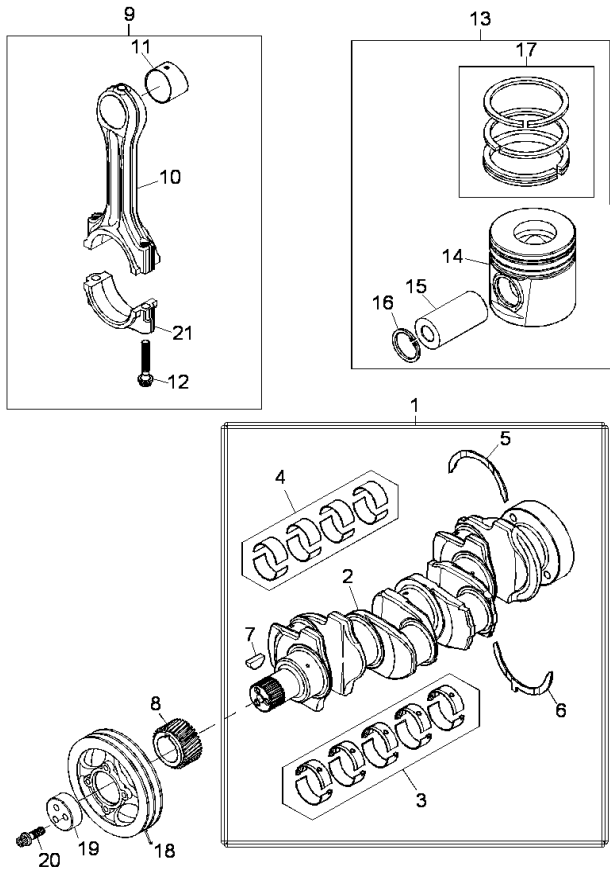
RP53\000015199.png

**A-05
04**



A0504

Crankshaft, pistons and connecting rods



		Inglese	
9	4115C364	➡ U491478 t C	4 Conrod
9	4115C365	➡ U491478 t B	4 Conrod
9	4115C366	➡ U491478 t A	4 Conrod
10		! 9	1 Conrod
		➡ Ref.n.9	
11	3112A005	! 9 T-A 17:0	1 Bush
12	3212V003	! 9	2 Screw
13	U5PR0062	Std	4 Kit
13	U5PR0062B	+0,5 mm	4 Kit
14		! 13	1 Piston
		➡ Ref.n.13	
15		! 13	1 Pin
		➡ Ref.n.1	
16	2721332	! 13	2 Ring
17	UPRK0005	! 13	1 Kit
18	3115T051	T-A 2:0	1 Pulley
19	3241N001	T-A 2:0	1 Block
20	32186137		3 Screw
21		! 9	1 Cover
		➡ Ref.n.9	

! This is a component of an assembly
) (Not for

Engine

A-05
04

Crankshaft, pistons and connecting rods

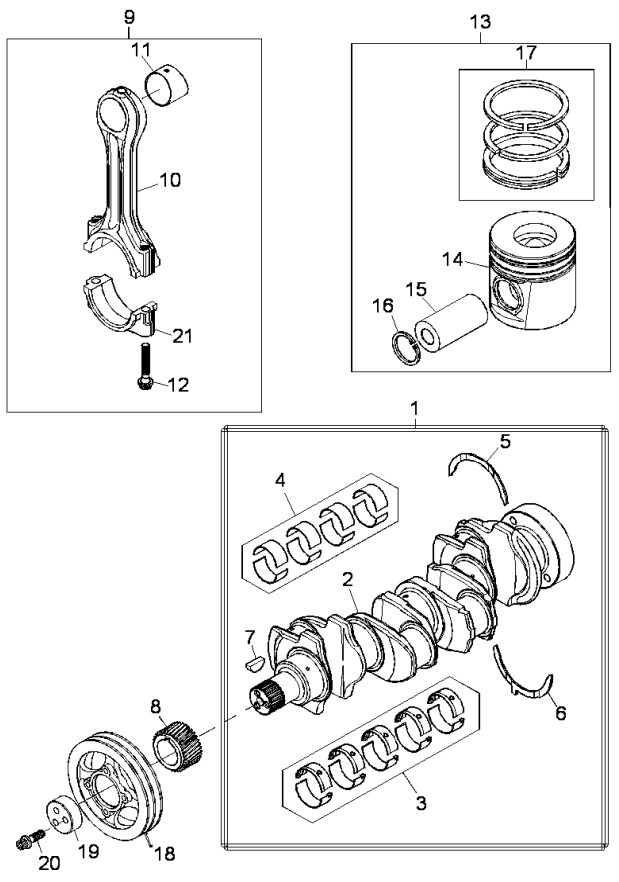
F/XL Tier 3 (2008-2009) - RP53 - F100 GE/XL



A0504

RP53\000015199.png

- From serial or engine number
- Up to serial or engine number
- Not serviced, order
- Shim
- Replacement
- T-A Replacement
- A Blue
- B Purple
- C Green
- D White
- E Orange
- F Red



Engine

F/XL Tier 3 (2008-2009) - RP53 - F100 GE/XL

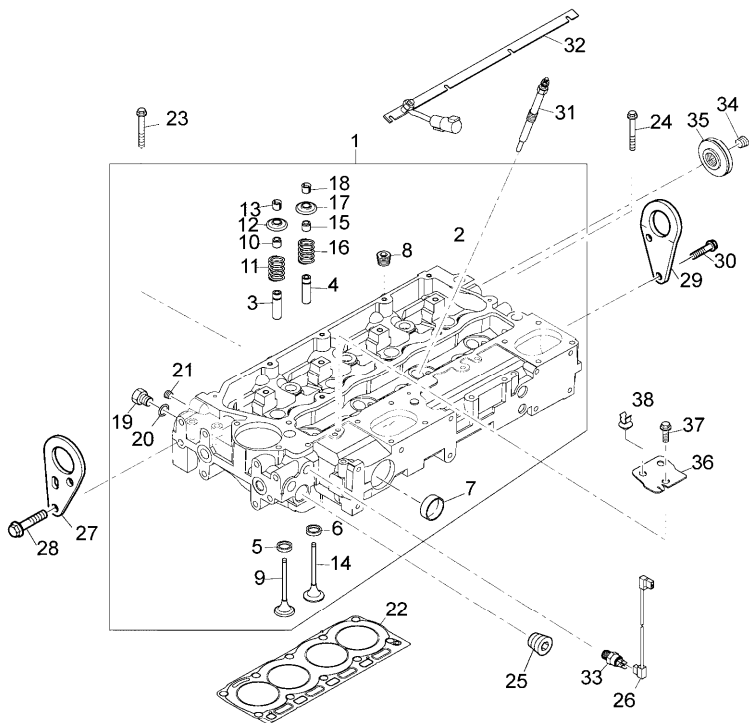
RP53\000015201.png

A-05
05



A0505

Cylinder head



1	ZZ80280		
2		!	1
3	3313A012	!	1
4	3313A012	!	1
5	3314A221	!	1
6	3314A231	!	1
7	32416117	!	1
8	0650588	T-A	1:0
9	3142H101	!	1
10	2418M519	!	1
11	3174A031	A	
12	3342A021	!	1
13	2714A002	!	1
14	3142A171	!	1
15	2418M517	!	1
16	3174A031	B	
17	3342A021	!	1
18	2714A002	!	1

Inglese

1	Cylinder head
1	Head
4	Insert
4	Insert
4	Insert
4	Insert
2	Plug
4	Plug
4	Valve
4	Ring
4	Spring
4	Coperch.
8	Collar
4	Valve
4	Ring
4	Spring
4	Coperch.
8	Collar

Engine

F/XL Tier 3 (2008-2009) - RP53 - F100 GE/XL

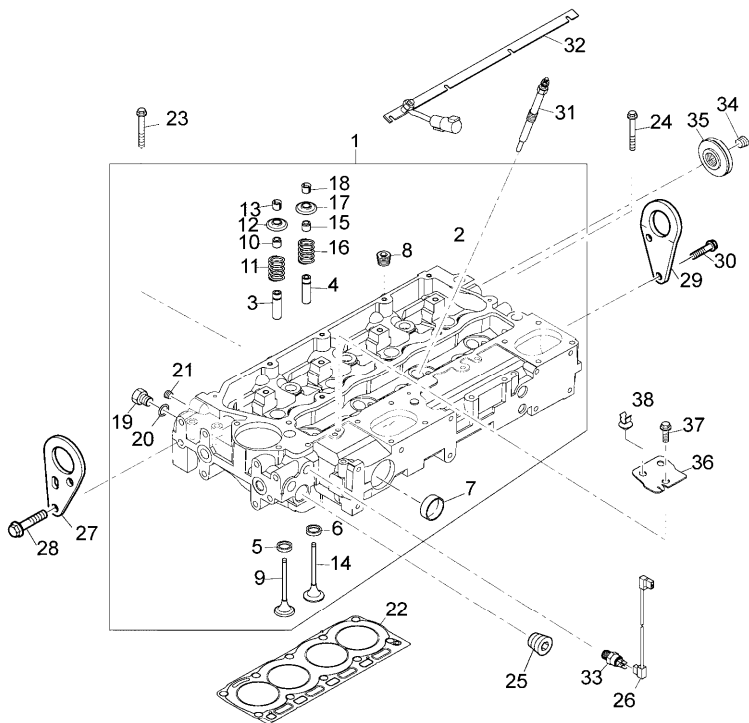
RP53\000015201.png

A-05
05



A0505

Cylinder head



19	3278A006	!	1
20	2415H003	!	1
21	2431154	!	1
22	3681E051		1
23	3218A011		7
24	3218A012		3
25	2431154		1
26	3161C017		1
27	3617A015		1
28	2314J002		2
29	3647A007		1
30	2314J002		2
31	2666A016	T-A	0:75
32	3161C054	●	T409642(1)
33	2848A127	T-A	0:25
34	2431154		
35	3342A701		1
36	3653A017		1
37	2314H002		1
38	2481D456		1

! This is a component of an assembly
 ● Not serviced, order
 ● Replacement
 T-A Replacement
 A Green

Inglese

1	Plug
1	Ring
1	Plug
1	Gasket
7	Screw
3	Screw
1	Plug
1	Cable
1	Stirrup
2	Screw
1	Stirrup
2	Screw
4	Spark plug
1	Bar
1	Sensor
	Plug
1	Connection
1	Stirrup
1	Screw
1	Clip

Engine

F/XL Tier 3 (2008-2009) - RP53 - F100 GE/XL

RP53\000015201.png

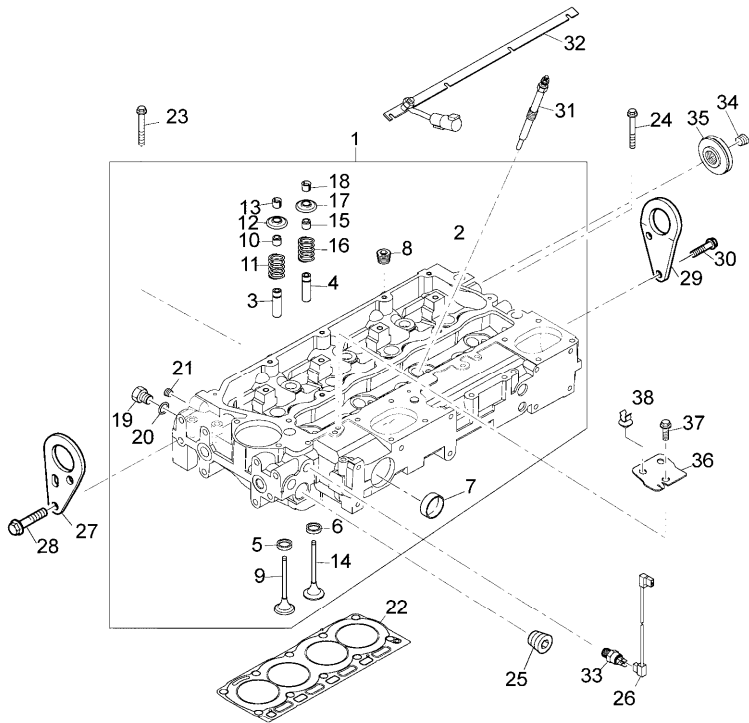
A-05
05



A0505

Cylinder head

B Brown



Engine

F/XL Tier 3 (2008-2009) - RP53 - F100 GE/XL

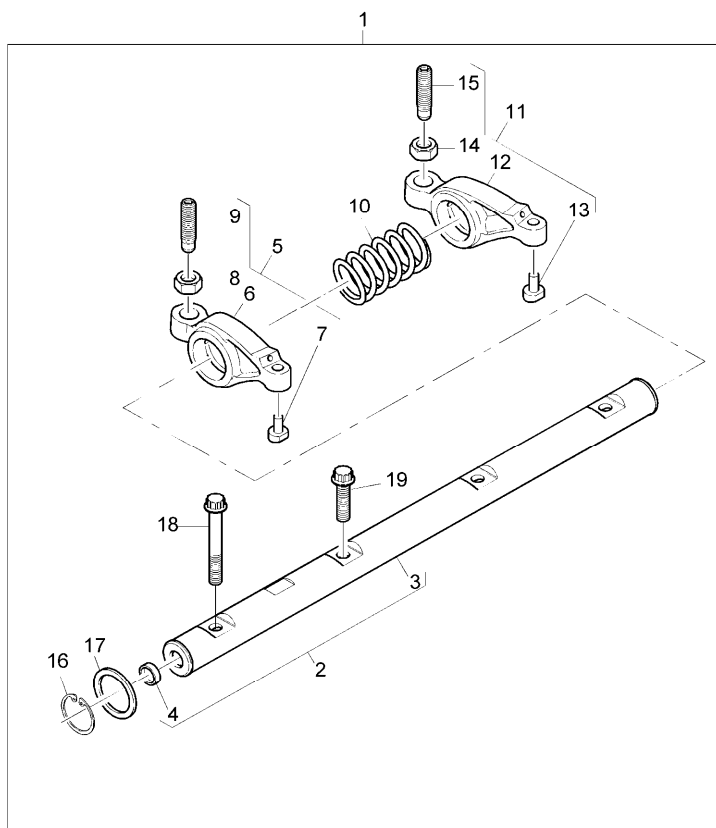
RP53\000015204.png

A-05
06



A0506

Rocker shaft



		Inglese	
1	4115R613		1 Axle
2	4115R703	! 1	1 Shaft
		T-A 4:0	
3		! 2	1 Shaft
		➡ Ref.n.2	
4	2485A104	! 2	2 Plug
		T-A 4:0	
5	4115R319	! 1	4 Lever
6		! 5	1 Rocker
		➡ Ref.n.5	
7		! 5	1 Shim
		➡ Ref.n.5	
8	3331A006	! 5	1 Nut
9	3211C004	! 5	1 Screw
10	3174A015	! 1	3 Spring
		T-A 4:0	
11	4115R318	! 1	4 Lever
12		! 11	1 Rocker
		➡ Ref.n.11	
13		! 11	1 Shim
		➡ Ref.n.11	
14	3331A006	! 11	1 Nut
15	3211C004	! 1	1 Screw
16	2722A022	! 1	2 Ring
17	2134A502	! 1	2 Washer
		T-A 4:0	

Engine

F/XL Tier 3 (2008-2009) - RP53 - F100 GE/XL

RP53\000015204.png

A-05
06



A0506

Rocker shaft

Inglese

18 2316A901 ! 1

1 Screw

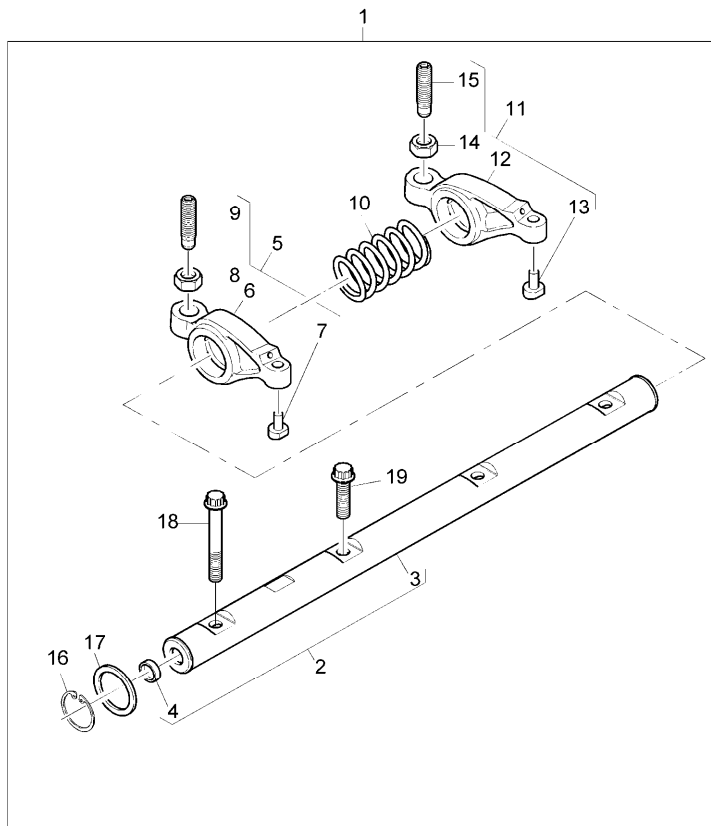
19 2316A902 ! 1

3 Screw

! This is a component of an assembly

Not serviced, order

T-A Replacement



Engine

F/XL Tier 3 (2008-2009) - RP53 - F100 GE/XL

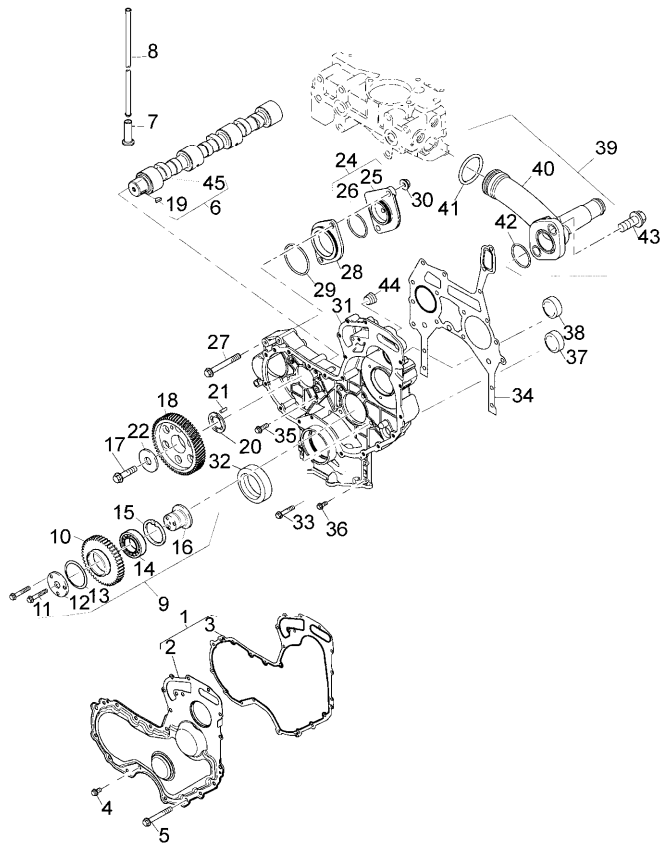
RP53\000015206.png

**A-05
07**



A0507

Timing gear and camshaft



1 4142A503

2

3 3681P046

4 2314H002

5 2314H012

6 4112K032

7 3142U061

8 3142V011

9 4111A028

10

11 2314C037

12 3241A013

13 2559A001

14 2558A501

15 2721B064

16 3272A015

!

1



Ref.n.1

!

1

(X)

1.3.5.

T-A

4:50



4112K077(1)



4111A048(1)

T-A

4:75

!

9



Ref.n.9

!

9

!

9

T-A

4:75

!

9

T-A

4:75

!

9

T-A

4:75

!

9

T-A

4:75

!

9

T-A

4:75

Inglese

1 Kit

1 Overlay

1 Gasket

9 Screw

5 Screw

1 Shaft

8 Tappet

8 Rod

1 Gear

1 Gear

1 Screw

1 Disc

2 Washer

1 Cuscinet

2 Ring

1 Hub

Engine

F/XL Tier 3 (2008-2009) - RP53 - F100 GE/XL

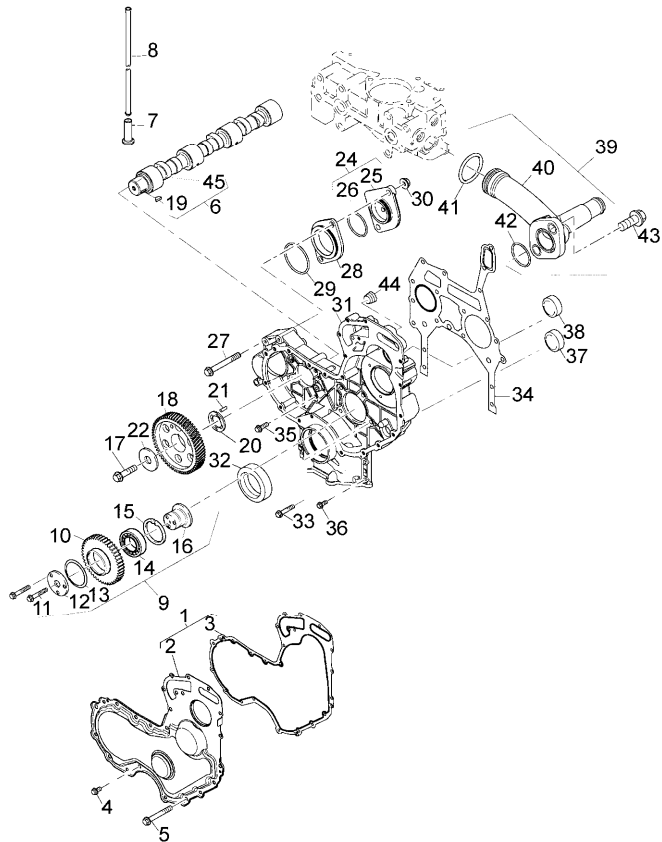
RP53\000015206.png

**A-05
07**



A0507

Timing gear and camshaft



		Inglese
17	2314J606	1 Screw
18	3117L271	1 Gear
	● 3117L272(1)	
	T-A 4:75	
19	0500012	1 Key
20	3321A003	1 Washer
	T-A 4:75	
21	2116053	1 Pin
22	3112X011	1 Washer
23	2314J012	3 Screw
24	4148K012	1 Plate
	T-A 4:75	
25	!	24
	! 24	1 Plate
	➡ Ref.n.24	
26	2415H515	1 Ring
	!	24
27	2314J014	2 Screw
	T-A 4:75	
28	3617A021	1 Disc
	T-A 4:75	
29	2415H516	1 O ring
30	2318A604	2 Nut
31	3716C581	1 Housing
32	2418F437	1 Gasket
33	2314H006	2 Screw
34	3681P053	1 Gasket
35	2314H003	6 Screw
36	2314H034	4 Screw
36	2485A124	Plug
37	2485A124	1 Plug
39	4133L048	1 Connection
	T-A 4:75	

Engine

F/XL Tier 3 (2008-2009) - RP53 - F100 GE/XL

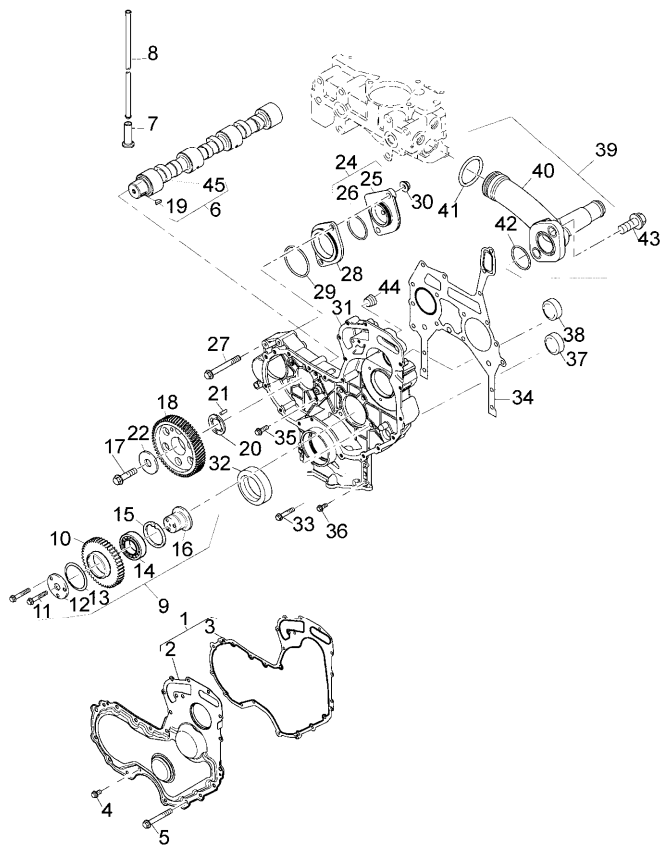
RP53\000015206.png

**A-05
07**



A0507

Timing gear and camshaft



		Inglese	
40	!	39	1 Connection
	➡	Ref.n.39	
41	2418F002	!	39
		T-A	4:75
42	2418F001	!	39
		T-A	4:75
43	2314H003		2 Screw
44	2431154		3 Plug
45		➡	Ref.n.6
		!	6

! This is a component of an assembly

➡ Not serviced, order

● Replacement

(X) Qty per tractors sold (aa.bbb.ccc.ddd) (aa) for 1,(bbb) 2-10 (ccc) 11-25 (ddd) 26-50

T-A Replacement

Engine

F/XL Tier 3 (2008-2009) - RP53 - F100 GE/XL

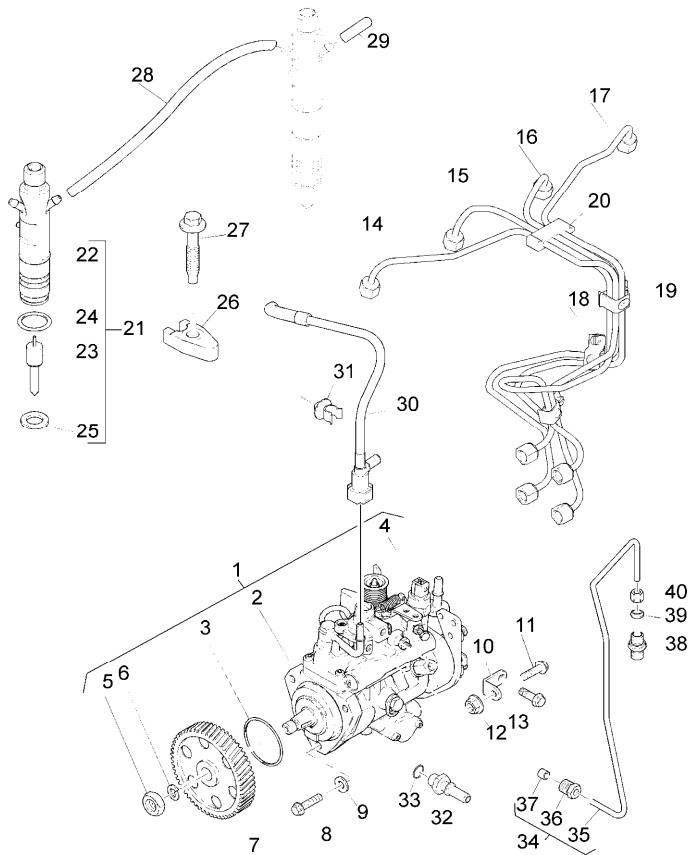
RP53\000015210.png

**A-05
08**



A0508

Fuel injection equipment (diesel)



		Inglese
1	2644C314/22	● 2644C314/23(1) 1 Pump
2		! 1 1 Pump
		➡ Ref.n.1
3	26420318	! 1 1 Ring
4	26420469	! 1 1 Solenoid
5	2318A108	! 1 1 Nut
6	K134AF01	! 1 1 Washer
7	3117L261	1 Gear
8	2314H004	3 Screw
9	2411D008	3 Washer
10	3641A007	1 Stirrup
11	2314H003	1 Screw
12	2318A603	1 Nut
13	2314J002	1 Screw
14	3525A101	1 Pipe
15	3525A102	1 Pipe
16	3525A103	1 Pipe
17	3525A104	1 Pipe
18	2481Y011	2 Clip
19	2481Y012	1 Clip
20	2646E019	1 Clip
21	2645K025	1 Nozzle
22		➡ Ref.n.21 1 Nozzle
		! 21

Engine

F/XL Tier 3 (2008-2009) - RP53 - F100 GE/XL

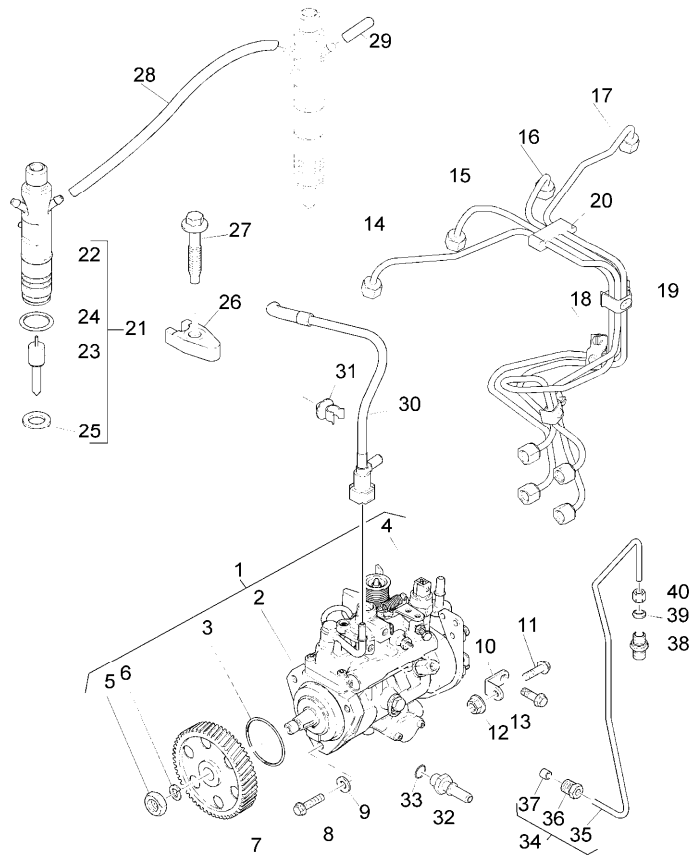
RP53\000015210.png

**A-05
08**



A0508

Fuel injection equipment (diesel)



		Inglese
23	➡ Ref.n.21	1 Jet
	! 21	
24	26460064 ! 21	1 Ring
25	L311FF02 ! 21	1 Washer
26	3751A241	4 Clamp
27	2314W009	4 Screw
28	2646F501	3 Pipe
29	2646E501	1 Cap
30	2646F007	1 Pipe
31	2481D456	1 Clip
32	3346A009	1 Connection
33	2415H009	1 O ring
34	4121A064	1 Pipe
35	! 34	1 Pipe
36	➡ Ref.n.34	
	➡ Ref.n.34	1 Nut
	! 34	
37	33811112 ! 34	1 Spinner
38	0206006 ● N.L.A.(1)	1 Union
39	0566002	1 Olive
40	0576111	1 Nut
!	This is a component of an assembly	
➡	Not serviced, order	
●	Replacement	

Engine

F/XL Tier 3 (2008-2009) - RP53 - F100 GE/XL

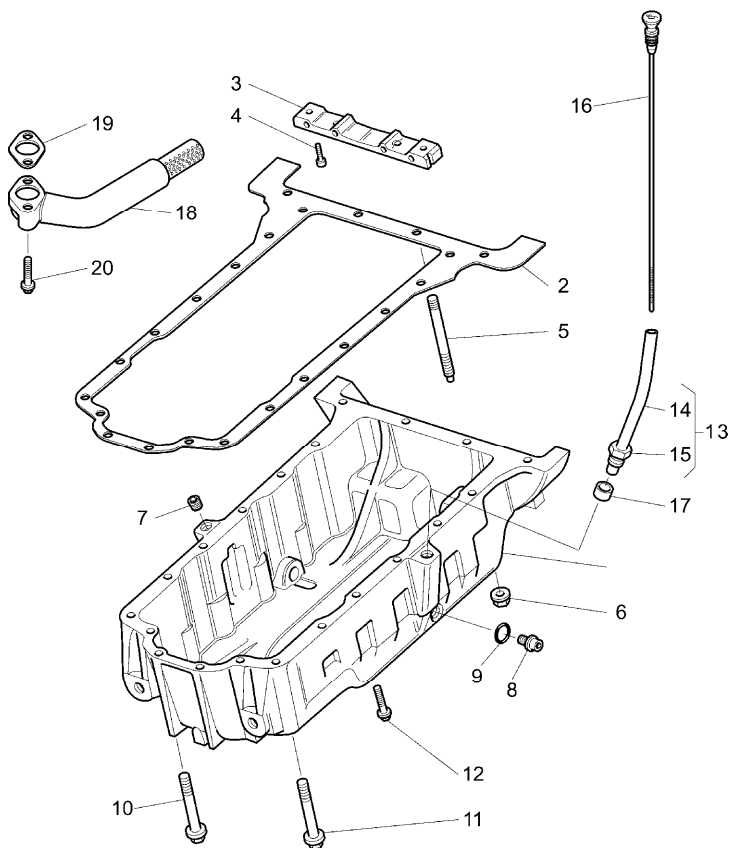
RP53\00011008.png

A-05
09



A0509

Lubricating oil sump



1	3717E271	T-A	2:0
2	3681K036	(X)	1.2.3.
		T-A	2:0
3	3627P041	T-A	2:0
4	2311D039		
5	3211P013		
6	2318A603		
7	2431A016		
8	32186405		
9	2415715		
10	2314H023		
11	2314H022	●	2314H052(1)
12	2314H015		
13	3577A159		
14		!	13
		➡	Ref. n.13
15	3353D005	!	13
16	3178C081	(X)	1.2.4.
		T-A	0:25
17	33812116	T-A	0:25
18	3765A091	T-A	2:25
19	36832137	T-A	2:25
20	2314H006		

Inglese

1	Crankcase
1	Gasket
1	Crosspiece
2	Screw
2	Stud
2	Nut
1	Plug
2	Plug
2	Ring
5	Screw
1	Screw
12	Screw
1	Pipe
1	Pipe
1	Nut
1	Rod
1	Olive
1	Pipe
1	Gasket
2	Screw

! This is a component of an assembly
➡ Not serviced, order

Engine

F/XL Tier 3 (2008-2009) - RP53 - F100 GE/XL

RP53\00011008.png

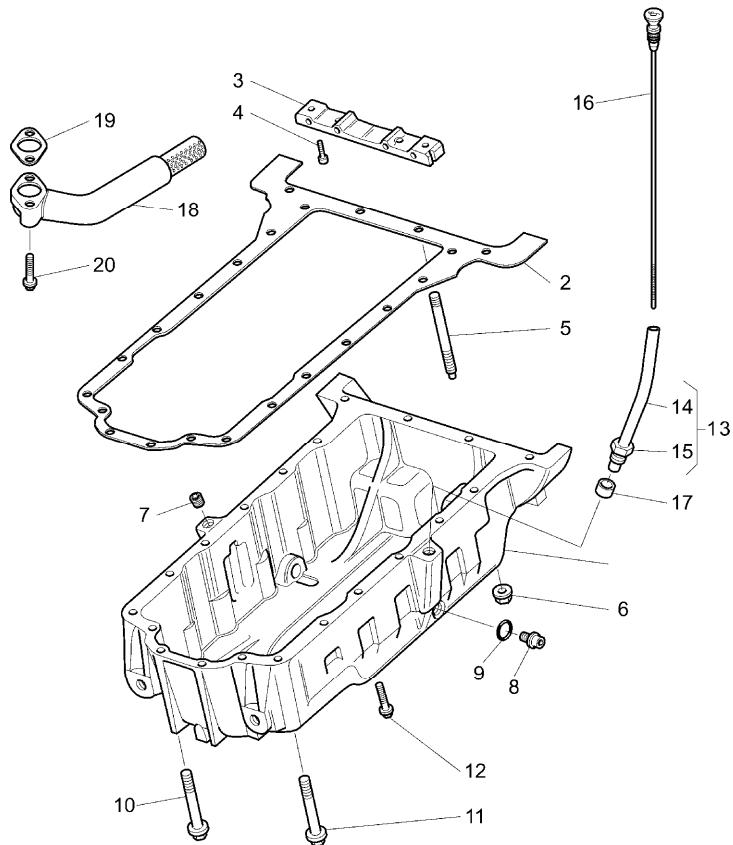
A-05
09



A0509

Lubricating oil sump

- Replacement
- (X) Qty per tractors sold (aa.bbb.ccc.ddd) (aa) for 1,(bbb) 2-10 (ccc) 11-25 (ddd) 26-50
- T-A Replacement



Engine

F/XL Tier 3 (2008-2009) - RP53 - F100 GE/XL

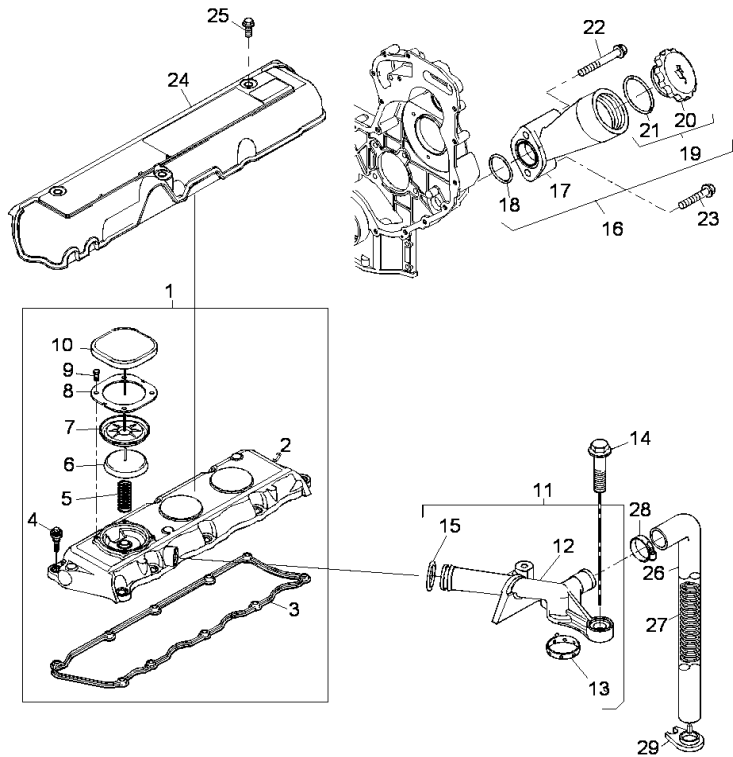
RP53\000015213.png

A-05
10



A0510

Lubricating oil filler and breather



		Inglese	
1	4142X322	● T417513(1)	1 Guard
2		! 1	1 Cover
3	3681A055	➡ Ref.n.1	1 Gasket
		(X) 0.1.3.	
		T-A 1:0	
4		➡ Ref.n.1	10 Screw
		! 1	
5	3174A017	! 1	1 Spring
		T-A 0:50	
6	3788A002	! 1	1 Cap
		T-A 0:25	
7	3789A001	! 1	1 Diaphragm
		T-A 0:25	
8	3615A009	! 1	1 Plate
		T-A 0:25	
9	2151A001	! 1	4 Screw
10	3788A003	! 1	1 Cap
		T-A 0:25	
11	4134K022		1 Pipe
12		! 11	1 Pipe
		➡ Ref.n.11	
13	2415H701	! 11	1 Ring
14	2314F005		2 Screw
15	2415A068	! 11	1 Ring
		T-A 0:50	

Engine

F/XL Tier 3 (2008-2009) - RP53 - F100 GE/XL

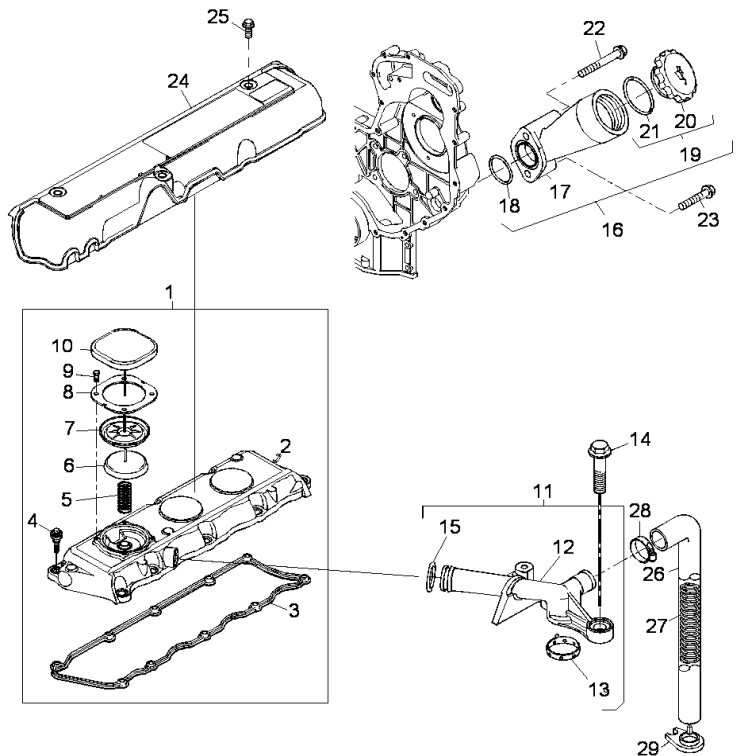
RP53\000015213.png

**A-05
10**



A0510

Lubricating oil filler and breather



Inglese

16	4134C019	●	N.L.S.(1)	1	Filler
17		▶	Ref.n.16	1	Body
		!	16		
18	2415B121	!	16	1	O ring
19	4142X098	!	16	1	Plug
		(X)	1.3.5.		
		T-A	0:25		
20		▶	Ref.n.19	1	Plug
		!	19		
21	2415633	!	19	1	O ring
		T-A	0:25		
22	2314K161			1	Screw
23	2314H008			1	Screw
24	3788N003	T-A	0:50	1	Cover
25	2314F003			3	Screw
26	33872632			1	Pipe
27	3175P003			1	Spring
28	2481877			1	Clamp
29	36241123			1	Support
!	This is a component of an assembly				
▶	Not serviced, order				
●	Replacement				
(X)	Qty per tractors sold (aa.bbb.ccc.ddd) (aa) for 1,(bbb) 2-10 (ccc) 11-25 (ddd) 26-50				
T-A	Replacement				



Suggest:

For more complete manuals. Please go to the home page.

<https://www.ebooklibonline.com>

If the above button click is invalid. Please download this document first, and then click the above link to download the complete manual.

Thank you so much for reading

Engine

F/XL Tier 3 (2008-2009) - RP53 - F100 GE/XL

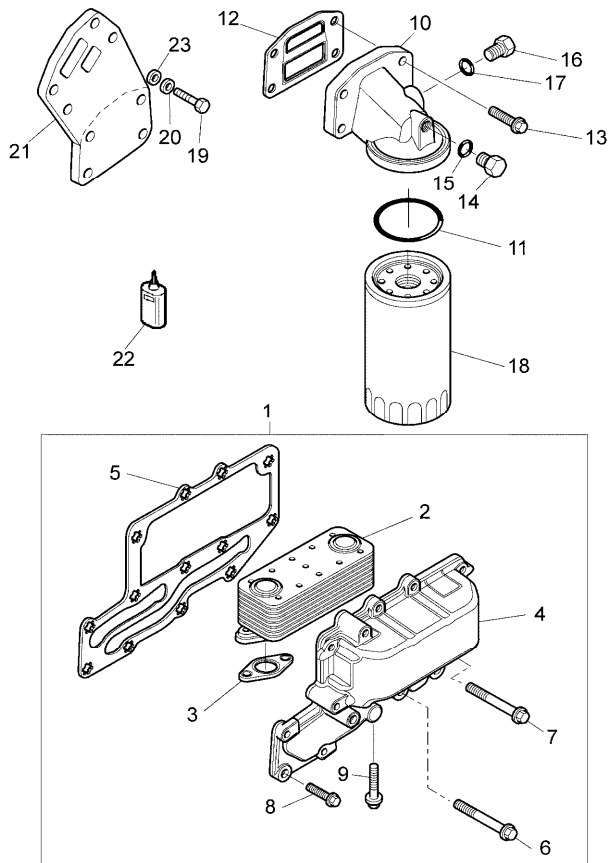
RP53\000015215.png

**A-05
11**



A0511

Heat exchanger and lubricating oil filter



		Inglese	
1	4134W021	● 4134W025(1)	1 Radiator
2	2486A217	! 1	1 Exchanger
3	3685A025	! 1	2 Ring
4		T-A 1:0	
4		! 1	1 Exchanger
5	3685A033	! 1	1 Gasket
6	2314K161	! 1	3 Screw
7	2314H004	! 1	8 Screw
8	2311D060	! 1	2 Screw
9	2314H006	! 1	4 Screw
10	3773A061		1 Head
11	3672135M1		2 Gasket
12	3688A039	T-A 0:50	1 Gasket
13	2314H034		4 Screw
14	3278A007		1 Plug
15	2415H009	T-A 0:25	1 O ring
16	3278A004		1 Plug
17	2415H002	T-A 0:25	1 Ring
18	701899A1		1 Oil filter
19	1440349X1	M8x30	4 Screw
19	339011X1	M8x45	4 Screw
20	390972X1	● Substitutions error	4 Washer
22	3663814M1	● 1427801M2(999)	999 Loctite
23	339374X1	● Substitutions error	4 Washer

Engine

F/XL Tier 3 (2008-2009) - RP53 - F100 GE/XL



RP53\000015215.png

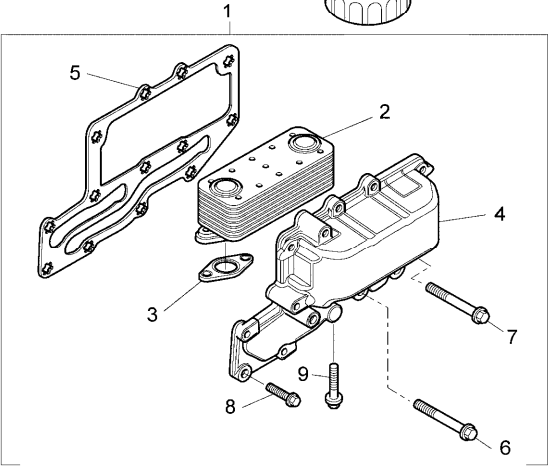
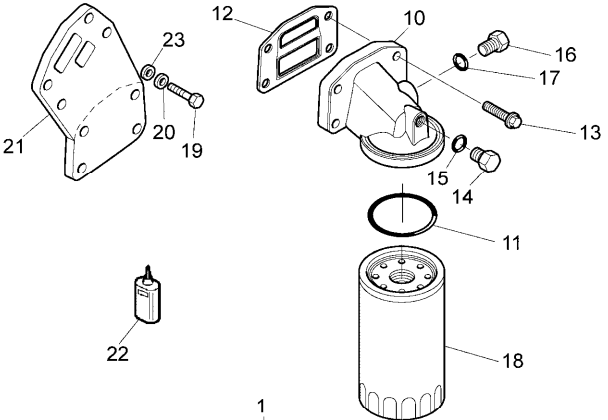
A-05
11



A0511

Heat exchanger and lubricating oil filter

- ! This is a component of an assembly
-  Not serviced, order
-  Replacement
- T-A Replacement



<https://www.ebooklibonline.com>

Hello dear friend!

Thank you very much for reading.

Enter the link into your browser.

The full manual is available for immediate download.

<https://www.ebooklibonline.com>