

Engine

F/XL Tier 3 (2008-2009) - RP53 - F90 GE/XL

RP53\00005170.png

A-05
01



A0501

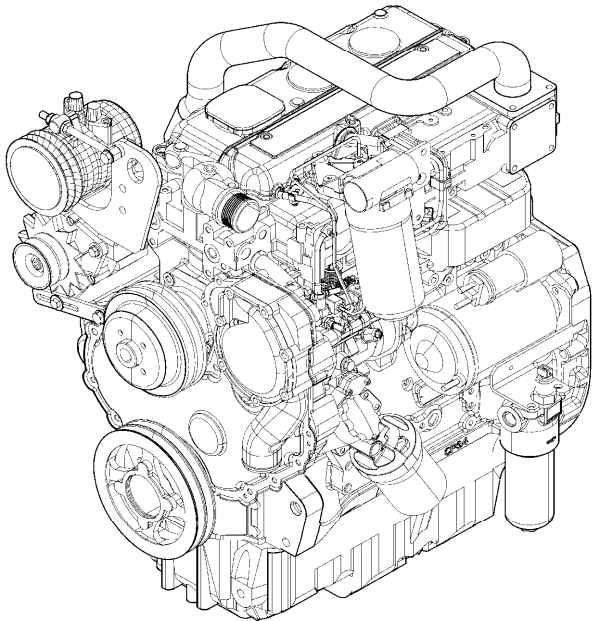
Engine assembly

Inglese

1 3695281M91

"perkins - n138972 1 Engine
60kw

1



Engine

F/XL Tier 3 (2008-2009) - RP53 - F90 GE/XL

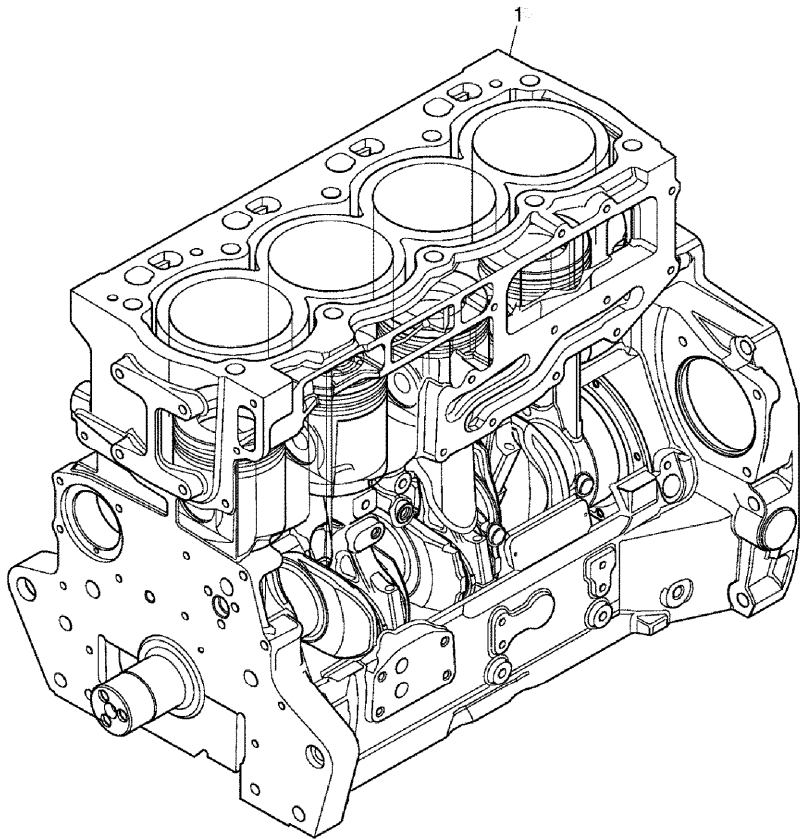
RP53\000015070.png

A-05
02



A0502

Short engine



1 NM40008



3115A141(1),
32186146(3), NM4

Replacement

Inglese

1 Short engine

Engine

F/XL Tier 3 (2008-2009) - RP53 - F90 GE/XL

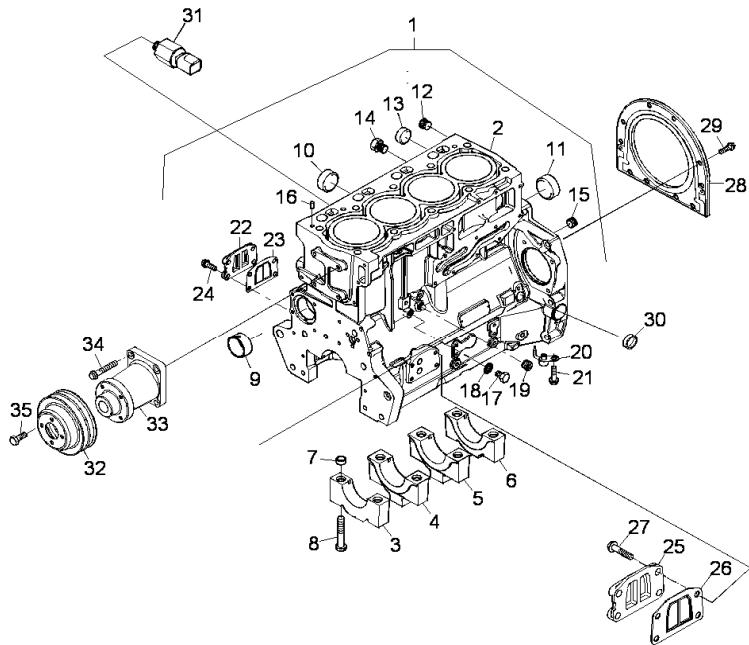
RP53\000015197.png

**A-05
03**



A0503

Cylinder block



			Inglese
1	↔	A-05 02 01	1 Cylinder block
1	●	ZZ50321	1 Block
2	!	1	1 Block
	➡	Ref.n.1	
3	!	1	1 Cap
	➡	Ref.n.1	
4	!	1	2 Cap
	➡	Ref.n.1	
5	!	1	1 Cap
	➡	Ref.n.1	
6	!	1	1 Cap
	➡	Ref.n.1	
7	!	1	10 Manicott
8	!	1	10 Screw
9	!	1	1 Bush
	●	3112D075(1)	
10	!	1	2 Plug
10	!	1	2 Plug
11	!	1	1 Plug
11	!	1	1 Plug
12	!	1	1 Plug
13	!	1	1 Plug
14	!	1	1 Plug
14	!	1	1 Plug
15	!	1	1 Plug

<https://www.ebooklibonline.com>

Hello dear friend!

Thank you very much for reading.

Enter the link into your browser.

The full manual is available for immediate download.

<https://www.ebooklibonline.com>

Engine

F/XL Tier 3 (2008-2009) - RP53 - F90 GE/XL

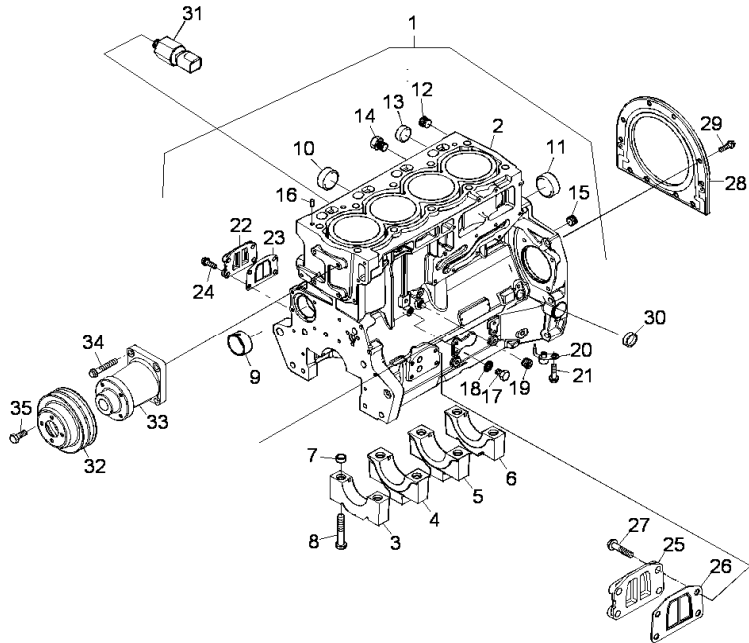
RP53\000015197.png

**A-05
03**



A0503

Cylinder block



		Inglese	
15	3212P008	!	1 Plug
16	3244A009	!	2 Dowel
17	2314C049	!	1 Screw
18	2415D053	!	1 Washer
19	0650594	!	1 Plug
20	2113A003	!	4 Atomiser
21	2314F001	!	4 Screw
22	3753A071	!	1 Coperch.
23	3688A041	!	1 Gasket
24	2314H034	!	4 Screw
26	3688A041	T-A 0:50	1 Ring
27	2314H034		4 Screw
28	2418F704	(X) 0.1.4. T-A 11:0	1 Housing
29	3211C002		10 Screw
30	2485A109		1 Plug
31	2848A051		1 Kit
32	3115C161		1 Pulley
33	4113K005		1 Housing
34	2314J005		4 Screw
35	2314C044		4 Screw

! This is a component of an assembly

<> See page - reference number

📦 Not serviced, order

● Replacement

(X) Qty per tractors sold (aa.bbb.ccc.ddd) (aa) for 1,(bbb) 2-10 (ccc) 11-25 (ddd) 26-50

Engine

A-05
03

Cylinder block

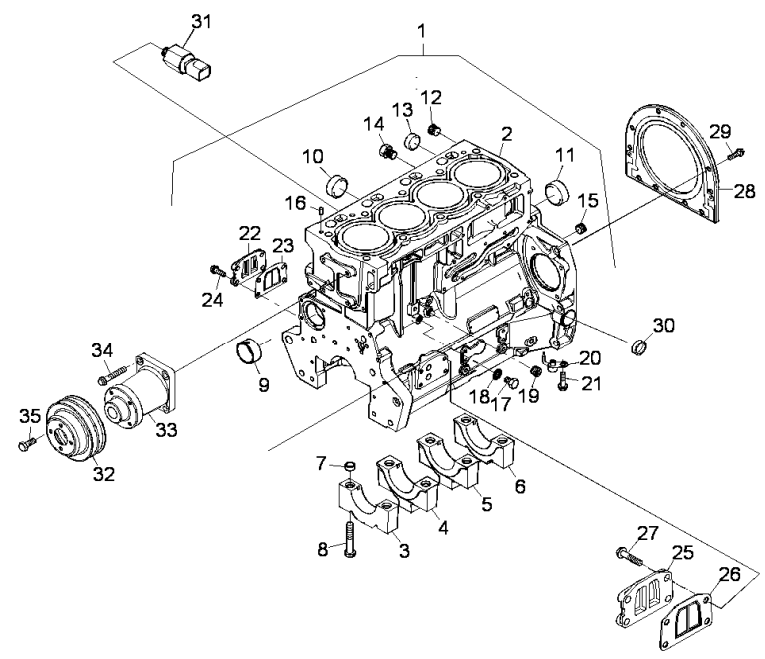
F/XL Tier 3 (2008-2009) - RP53 - F90 GE/XL



A0503

RP53\000015197.png

T-A Replacement



Engine

F/XL Tier 3 (2008-2009) - RP53 - F90 GE/XL

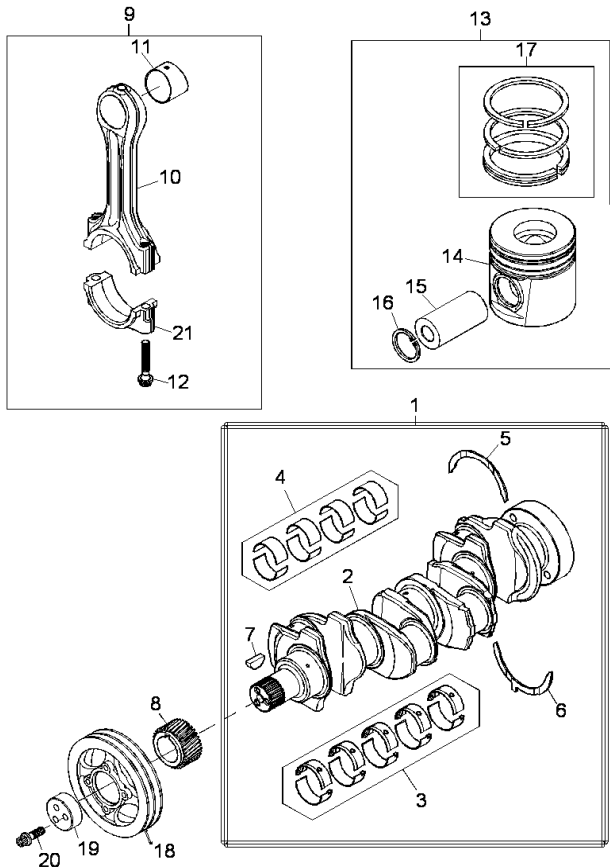
RP53\000015199.png

**A-05
04**



A0504

Crankshaft, pistons and connecting rods



		Inglese
1	ZZ90222	➔ U491476 t ● ZZ90239(1) 1 Kit
1	ZZ90222P	● N.L.A.(1) 1 Kit
1	ZZ90237	➔ U491477 t 1 Shaft
2		! 1 1 Crankshaft
		➔ Ref.n.1
3	U5MB0018	! 1 1 Kit
		● U5MB0033(1) T-A 18:50
3	U5MB0018A	✂ (+)0.010" ! 1 1 Kit
		● U5MB0033A(1) T-A 18:50
3	U5MB0018B	✂ (+)0.020" ! 1 1 Kit
		● U5MB0033B(1) T-A 18:50
3	U5MB0018C	✂ (+)0.030" ! 1 1 Kit
		● N.L.A.(1) T-A 18:50
4	T400002	! 1 1 Kit
		➔ U491477 t ● T410927(1)

Engine

F/XL Tier 3 (2008-2009) - RP53 - F90 GE/XL

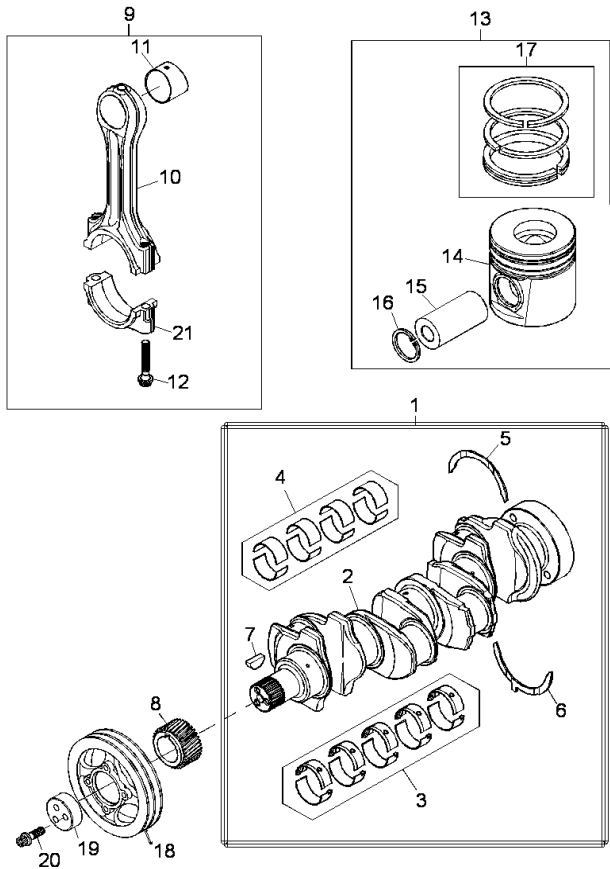
RP53\000015199.png

**A-05
04**



A0504

Crankshaft, pistons and connecting rods



Inglese

4	U5ME0026	!	1	1 Kit
		➔	U491476 t	
		●	U5ME0034(1)	
4	U5ME0026A	!	1	1 Kit
		⚡	(+)0.75 mm	
		➔	U491476 t	
		●	U5ME0034A(1)	
4	U5ME0026B	!	1	1 Kit
		⚡	(+)0.50 mm	
		➔	U491476 t	
		●	U5ME0034B(1)	
4	U5ME0026C	⚡	(+)0.75 mm	1 Kit
		!	1	
		➔	U491476 t	
		●	U5ME0034C(1)	
5	31137312	⚡	(+)0.007"	2 Ring
		!	1	
		T-A	18:50	
5	31137551	!	1	2 Washer
		T-A	18:50	
6	31137322	⚡	(+)0.007"	2 Ring
		!	1	
		T-A	18:50	
6	31137561	!	1	2 Washer
		T-A	18:50	
7	0500012	!	1	1 Key

Engine

F/XL Tier 3 (2008-2009) - RP53 - F90 GE/XL

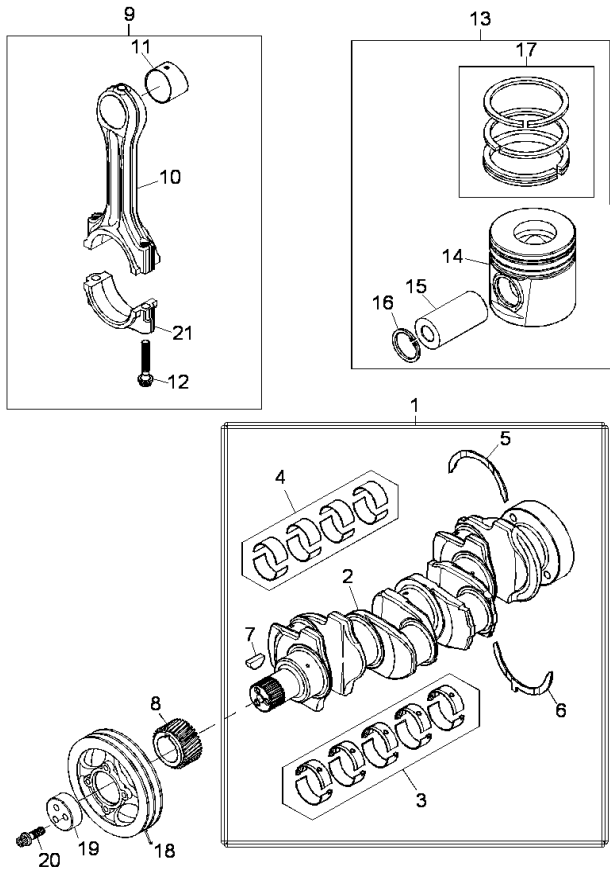
RP53\000015199.png

**A-05
04**



A0504

Crankshaft, pistons and connecting rods



Inglese

8	3117C221	T-A	13:0	1	Gear
9	4115C311	➔	U491477 t	4	Kit
		F			
		T-A	17:0		
9	4115C312	➔	U491477 t	4	Kit
		E			
		T-A	17:0		
9	4115C313	➔	U491477 t	4	Kit
		D			
		T-A	17:0		
9	4115C314	➔	U491477 t	4	Kit
		C			
		T-A	17:0		
9	4115C315	➔	U491477 t	4	Kit
		B			
		T-A	17:0		
9	4115C316	➔	U491477 t	4	Kit
		A			
		T-A	17:0		
9	4115C361	➔	U491478 t	4	Conrod
		F			
9	4115C362	➔	U491478 t	4	Conrod
		E			
9	4115C363	➔	U491478 t	4	Conrod
		D			

Engine

F/XL Tier 3 (2008-2009) - RP53 - F90 GE/XL

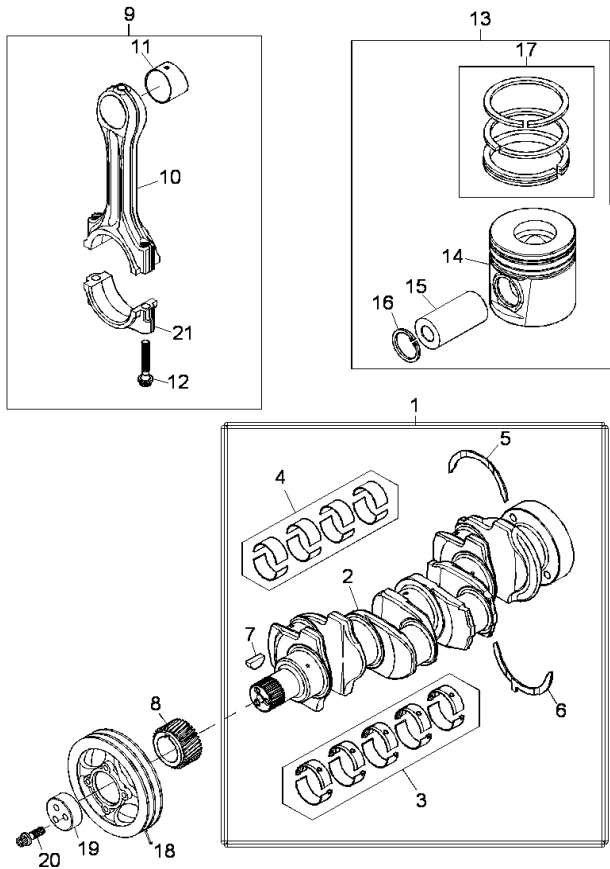
RP53\000015199.png

**A-05
04**



A0504

Crankshaft, pistons and connecting rods



		Inglese	
9	4115C364	➡ U491478 t C	4 Conrod
9	4115C365	➡ U491478 t B	4 Conrod
9	4115C366	➡ U491478 t A	4 Conrod
10		! 9 ➡ Ref.n.9	1 Conrod
11	3112A005	! 9 T-A 17:0	1 Bush
12	3212V003	! 9	2 Screw
13	U5PR0062	Std	4 Kit
13	U5PR0062B	+0,5 mm	4 Kit
14		! 13 ➡ Ref.n.13	1 Piston
15		! 13 ➡ Ref.n.1	1 Pin
16	2721332	! 13	2 Ring
17	UPRK0005	! 13	1 Kit
18	3115T051	T-A 2:0	1 Pulley
19	3241N001	T-A 2:0	1 Block
20	32186137		3 Screw
21		! 9 ➡ Ref.n.9	1 Cover

! This is a component of an assembly
➡ From serial or engine number

Engine

A-05
04

Crankshaft, pistons and connecting rods

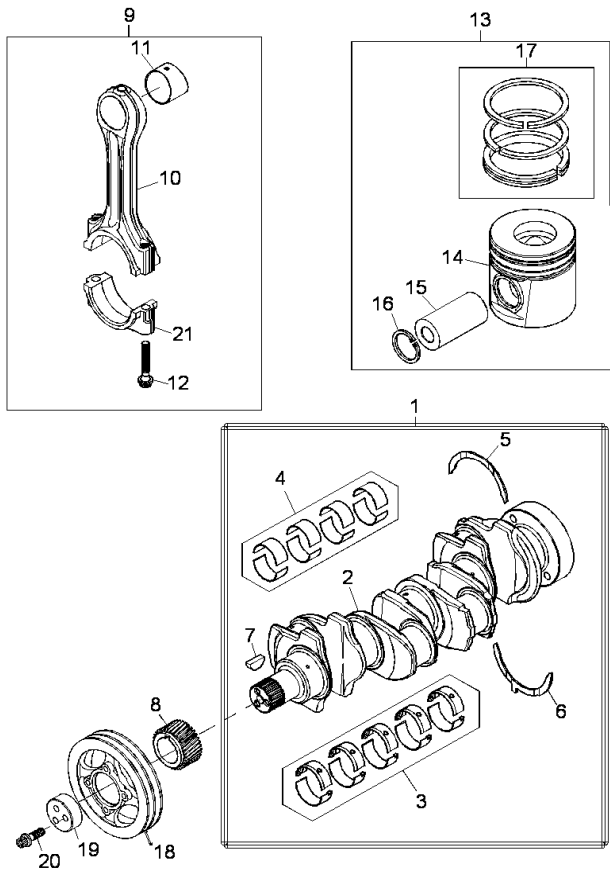
F/XL Tier 3 (2008-2009) - RP53 - F90 GE/XL



A0504

RP53\000015199.png

- Up to serial or engine number
- Not serviced, order
- Shim
- Replacement
- T-A Replacement
- A Blue
- B Purple
- C Green
- D White
- E Orange
- F Red



Engine

F/XL Tier 3 (2008-2009) - RP53 - F90 GE/XL

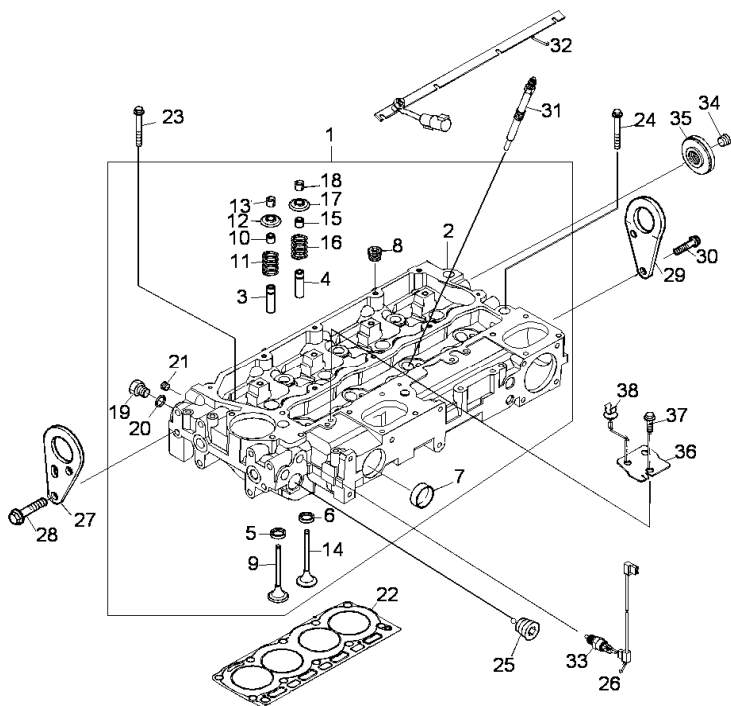
RP53\000015202.png

A-05
05



A0505

Cylinder head



			Inglese
1	ZZ80279		1 Cylinder head
2		! 1	1 Head
		➡ Ref.n.1	
3	3313A012	! 1	4 Insert
4	3313A012	! 1	4 Insert
5	3314A221	! 1	4 Insert
6	3314A231	! 1	4 Insert
7	32416117	! 1	2 Plug
		T-A 1:0	
8	0650588	! 1	4 Plug
		T-A 0:50	
9	3142H101	! 1	4 Valve
10	2418M519	! 1	4 Ring
		A	
11	3174A031	! 1	4 Spring
		● T417479(4)	
12	3342A021	! 1	4 Coperch.
13	2714A002	! 1	8 Collar
14	3142A171	! 1	4 Valve
15	2418M517	! 1	4 Ring
		B	
16	3174A031	! 1	4 Spring
		● T417479(4)	
17	3342A021	! 1	4 Coperch.
18	2714A002	! 1	8 Collar

Engine

F/XL Tier 3 (2008-2009) - RP53 - F90 GE/XL

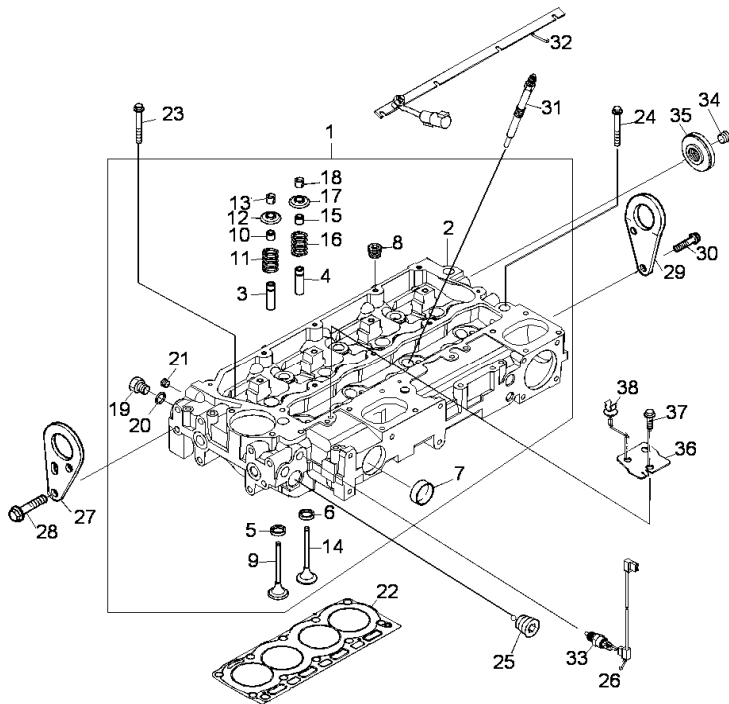
RP53\000015202.png

A-05
05



A0505

Cylinder head



			Inglese
19	3278A006	!	1 Plug
20	2415H003	!	1 Ring
21	2431154	!	1 Plug
22	3681E051		1 Gasket
23	3218A011		7 Screw
24	3218A012		3 Screw
25	2431154		1 Plug
26	3161C017		1 Cable
27	3617A015		1 Stirrup
28	2314J002		2 Screw
29	3647A007		1 Stirrup
30	2314J002		2 Screw
31	2666A016	T-A 0:75	4 Spark plug
32	3161C054	● T409642(1)	1 Bar
33	2848A127	T-A 0:25	1 Sensor
34	2431154		Plug
35	3342A701		1 Connection
36	3653A017		1 Stirrup
37	2314H002		1 Screw
38	2481D456		1 Clip
!			This is a component of an assembly
🔧			Not serviced, order
●			Replacement
T-A			Replacement
A			Green

Engine

F/XL Tier 3 (2008-2009) - RP53 - F90 GE/XL

RP53\000015202.png

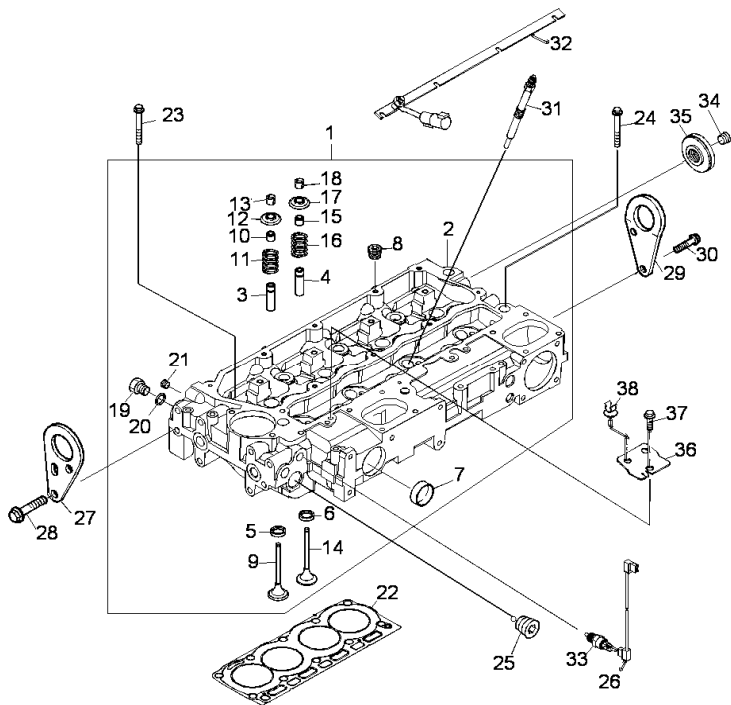
A-05
05



A0505

Cylinder head

B Brown



Engine

F/XL Tier 3 (2008-2009) - RP53 - F90 GE/XL

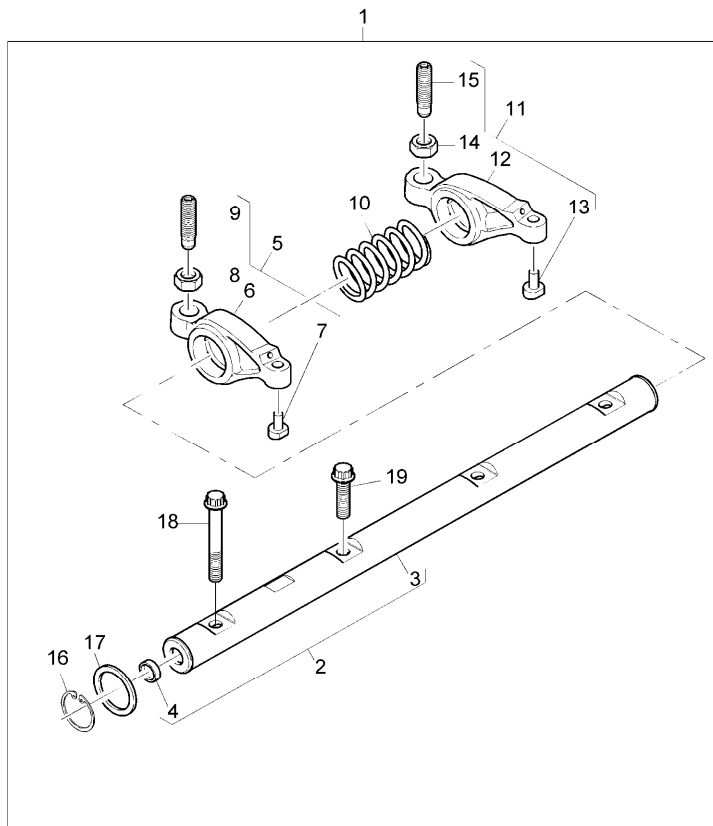
RP53\000015204.png

A-05
06



A0506

Rocker shaft



		Inglese
1	4115R613	1 Axle
2	4115R703	1 Shaft
	T-A 4:0	
3	!	1 Shaft
	➡ Ref.n.2	
4	2485A104	2 Plug
	T-A 4:0	
5	4115R319	4 Lever
6	!	1 Rocker
	➡ Ref.n.5	
7	!	1 Shim
	➡ Ref.n.5	
8	3331A006	1 Nut
9	3211C004	1 Screw
10	3174A015	3 Spring
	T-A 4:0	
11	4115R318	4 Lever
12	!	1 Rocker
	➡ Ref.n.11	
13	!	1 Shim
	➡ Ref.n.11	
14	3331A006	1 Nut
15	3211C004	1 Screw
16	2722A022	2 Ring
17	2134A502	2 Washer
	T-A 4:0	

Engine

F/XL Tier 3 (2008-2009) - RP53 - F90 GE/XL

RP53\000015204.png

A-05
06



A0506

Rocker shaft

Inglese

18 2316A901 ! 1

1 Screw

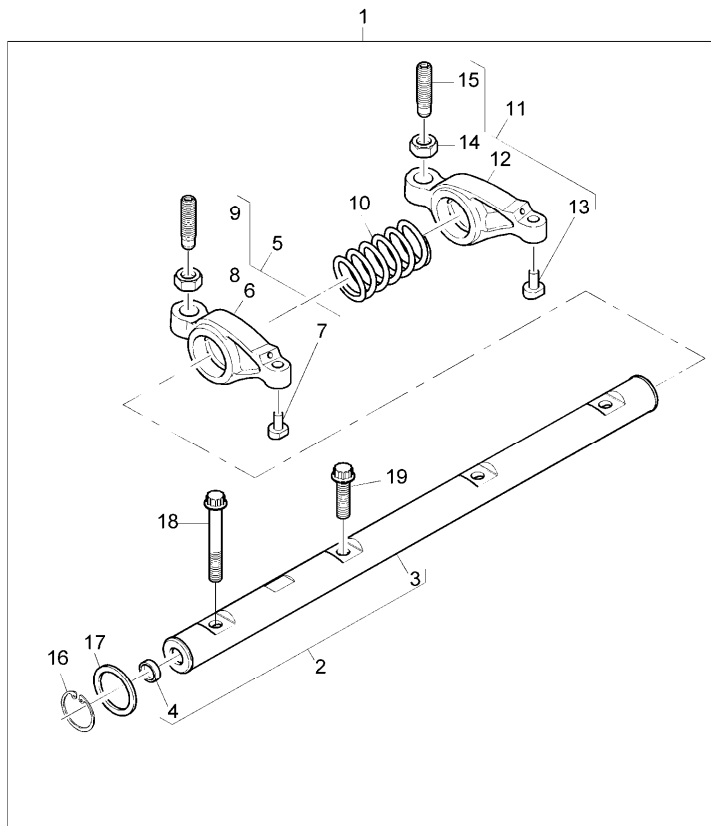
19 2316A902 ! 1

3 Screw

! This is a component of an assembly

Not serviced, order

T-A Replacement



Engine

F/XL Tier 3 (2008-2009) - RP53 - F90 GE/XL

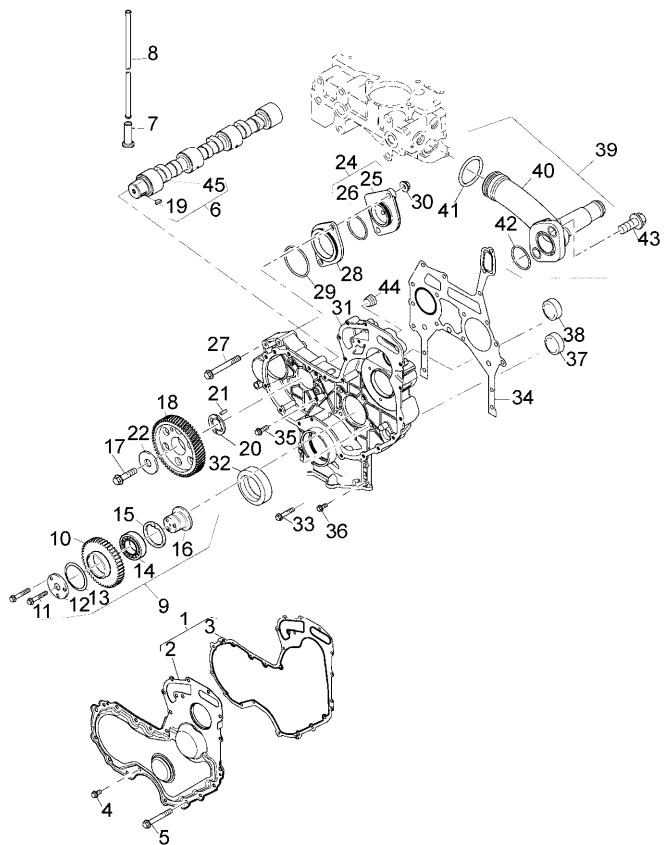
RP53\000015206.png

**A-05
07**



A0507

Timing gear and camshaft



1 4142A503

2

! 1

➡ Ref.n.1

3 3681P046

! 1

(X) 1.3.5.

T-A 4:50

4 2314H002

5 2314H012

6 4112K032

● 4112K077(1)

7 3142U061

8 3142V011

9 4111A028

● 4111A048(1)

T-A 4:75

10

! 9

➡ Ref.n.9

11 2314C037

! 9

12 3241A013

! 9

T-A 4:75

13 2559A001

! 9

T-A 4:75

14 2558A501

! 9

T-A 4:75

15 2721B064

! 9

T-A 4:75

16 3272A015

! 9

T-A 4:75

Inglese

1 Kit

1 Overlay

1 Gasket

9 Screw

5 Screw

1 Shaft

8 Tappet

8 Rod

1 Gear

1 Gear

1 Screw

1 Disc

2 Washer

1 Cuscinet

2 Ring

1 Hub

Engine

F/XL Tier 3 (2008-2009) - RP53 - F90 GE/XL

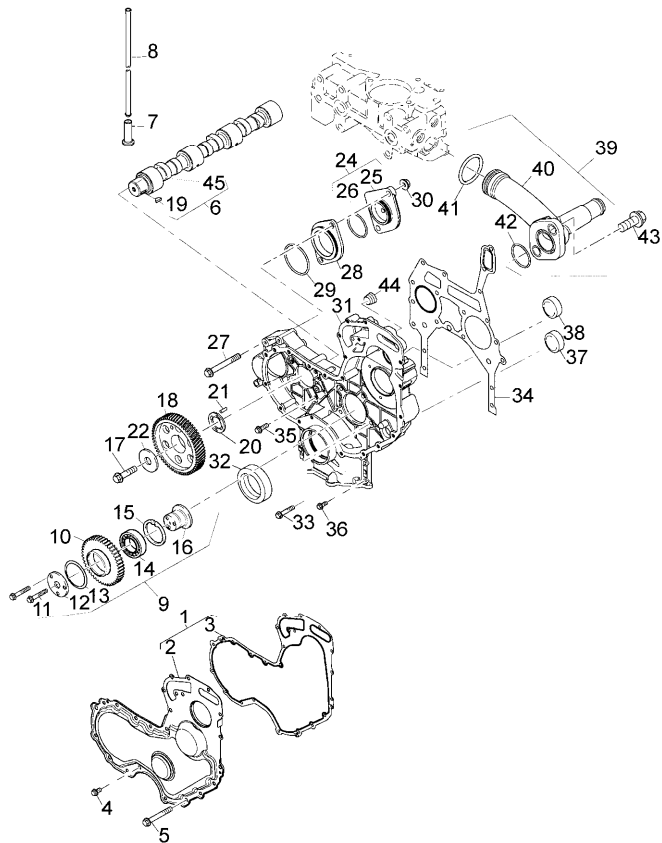
RP53\000015206.png

**A-05
07**



A0507

Timing gear and camshaft



		Inglese	
40	!	39	1 Connection
	➡	Ref.n.39	
41	2418F002	!	39
		T-A	4:75
42	2418F001	!	39
		T-A	4:75
43	2314H003		2 Screw
44	2431154		3 Plug
45		➡	Ref.n.6
		!	6

! This is a component of an assembly

➡ Not serviced, order

● Replacement

(X) Qty per tractors sold (aa.bbb.ccc.ddd) (aa) for 1,(bbb) 2-10 (ccc) 11-25 (ddd) 26-50

T-A Replacement

Engine

F/XL Tier 3 (2008-2009) - RP53 - F90 GE/XL

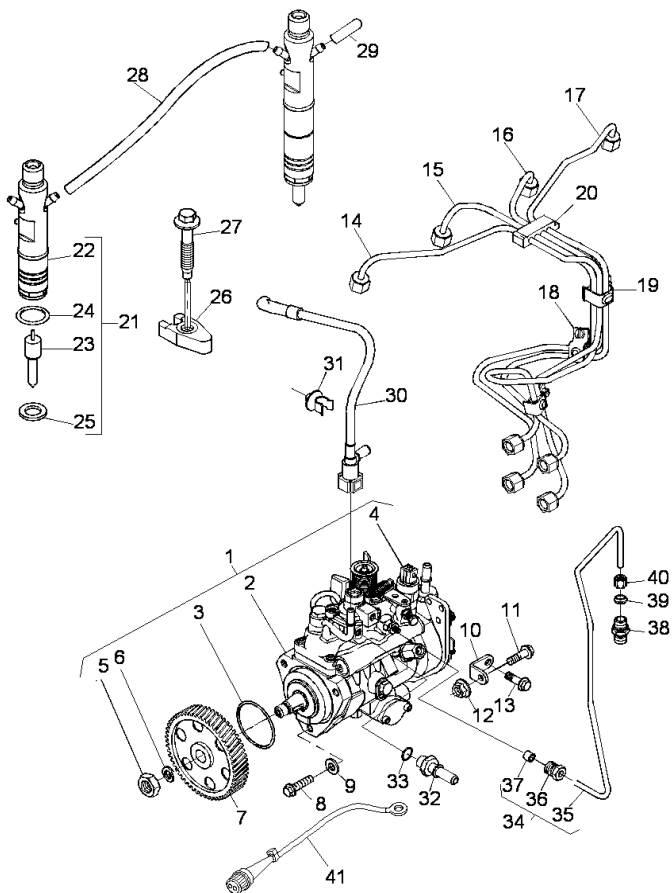
RP53\000015209.png

**A-05
08**



A0508

Fuel injection equipment (diesel)



- | | | | |
|----|-------------|---|----------|
| 1 | 2644C342/22 | | |
| 2 | | ! | 1 |
| | | ➡ | Ref.n.1 |
| 3 | 26420318 | ! | 1 |
| 4 | 26420469 | ! | 1 |
| 5 | 2318A108 | ! | 1 |
| 6 | K134AF01 | ! | 1 |
| 7 | 3117L261 | | |
| 8 | 2314H004 | | |
| 9 | 2411D008 | | |
| 10 | 3641A007 | | |
| 11 | 2314H003 | | |
| 12 | 2318A603 | | |
| 13 | 2314J002 | | |
| 14 | 3525A101 | | |
| 15 | 3525A102 | | |
| 16 | 3525A103 | | |
| 17 | 3525A104 | | |
| 18 | 2481Y011 | | |
| 19 | 2481Y012 | | |
| 20 | 2646E019 | | |
| 21 | 2645K025 | | |
| 22 | | ➡ | Ref.n.21 |
| | | ! | 21 |

Inglese

- | | |
|---|----------|
| 1 | Pump |
| 1 | Pump |
| 1 | Ring |
| 1 | Solenoid |
| 1 | Nut |
| 1 | Washer |
| 1 | Gear |
| 3 | Screw |
| 3 | Washer |
| 1 | Stirrup |
| 1 | Screw |
| 1 | Nut |
| 1 | Screw |
| 1 | Pipe |
| 1 | Pipe |
| 1 | Pipe |
| 1 | Pipe |
| 2 | Clip |
| 1 | Clip |
| 1 | Clip |
| 1 | Nozzle |
| 1 | Nozzle |

Engine

F/XL Tier 3 (2008-2009) - RP53 - F90 GE/XL

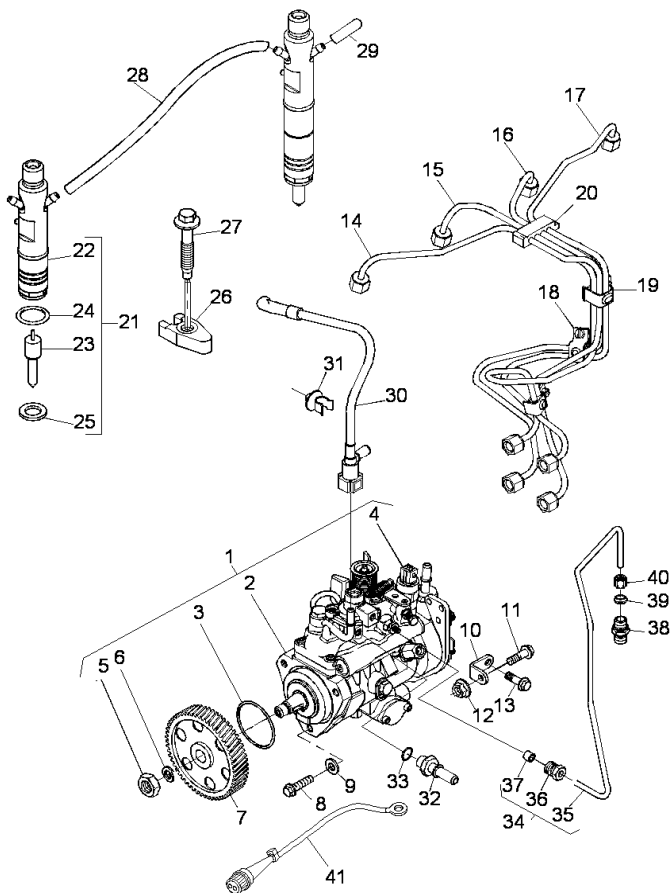
RP53\000015209.png

**A-05
08**



A0508

Fuel injection equipment (diesel)



		Inglese
23	➡ Ref.n.21	1 Jet
	! 21	
24	26460064 ! 21	1 Ring
25	L311FF02 ! 21	1 Washer
26	3751A241	4 Clamp
27	2314W009	4 Screw
28	2646F501	3 Pipe
29	2646E501	1 Cap
30	2646F007	1 Pipe
31	2481D456	1 Clip
32	3346A009	1 Connection
33	2415H009	1 O ring
34	4121A064	1 Pipe
35	! 34	1 Pipe
	➡ Ref.n.34	
36	➡ Ref.n.34	1 Nut
	! 34	
37	33811112 ! 34	1 Spinner
38	0206006 ● N.L.A.(1)	1 Union
39	0566002	1 Olive
40	0576111	1 Nut
41	3673286M91	1 Harness
!	This is a component of an assembly	
➡	Not serviced, order	
●	Replacement	

Engine

F/XL Tier 3 (2008-2009) - RP53 - F90 GE/XL

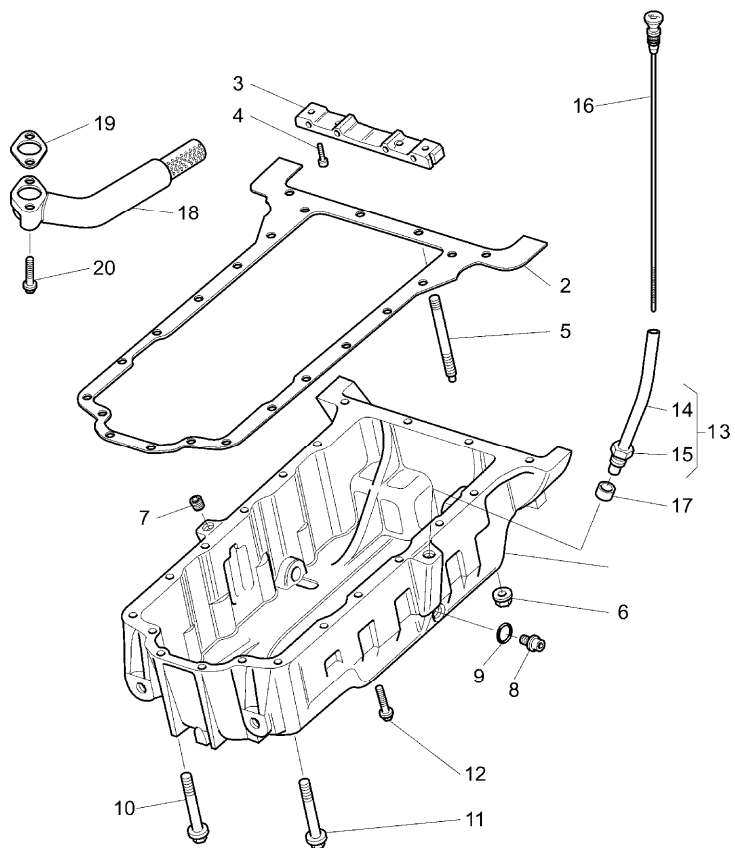
RP53\00011008.png

A-05
09



A0509

Lubricating oil sump



1	3717E271	T-A	2:0
2	3681K036	(X)	1.2.3.
		T-A	2:0
3	3627P041	T-A	2:0
4	2311D039		
5	3211P013		
6	2318A603		
7	2431A016		
8	32186405		
9	2415715		
10	2314H023		
11	2314H022	●	2314H052(1)
12	2314H015		
13	3577A159		
14		!	13
		➡	Ref. n.13
15	3353D005	!	13
16	3178C081	(X)	1.2.4.
		T-A	0:25
17	33812116	T-A	0:25
18	3765A091	T-A	2:25
19	36832137	T-A	2:25
20	2314H006		

Inglese

1	Crankcase
1	Gasket
1	Crosspiece
2	Screw
2	Stud
2	Nut
1	Plug
2	Plug
2	Ring
5	Screw
1	Screw
12	Screw
1	Pipe
1	Pipe
1	Nut
1	Rod
1	Olive
1	Pipe
1	Gasket
2	Screw

! This is a component of an assembly
➡ Not serviced, order



Suggest:

For more complete manuals. Please go to the home page.

<https://www.ebooklibonline.com>

If the above button click is invalid. Please download this document first, and then click the above link to download the complete manual.

Thank you so much for reading

Engine

A-05
09

Lubricating oil sump

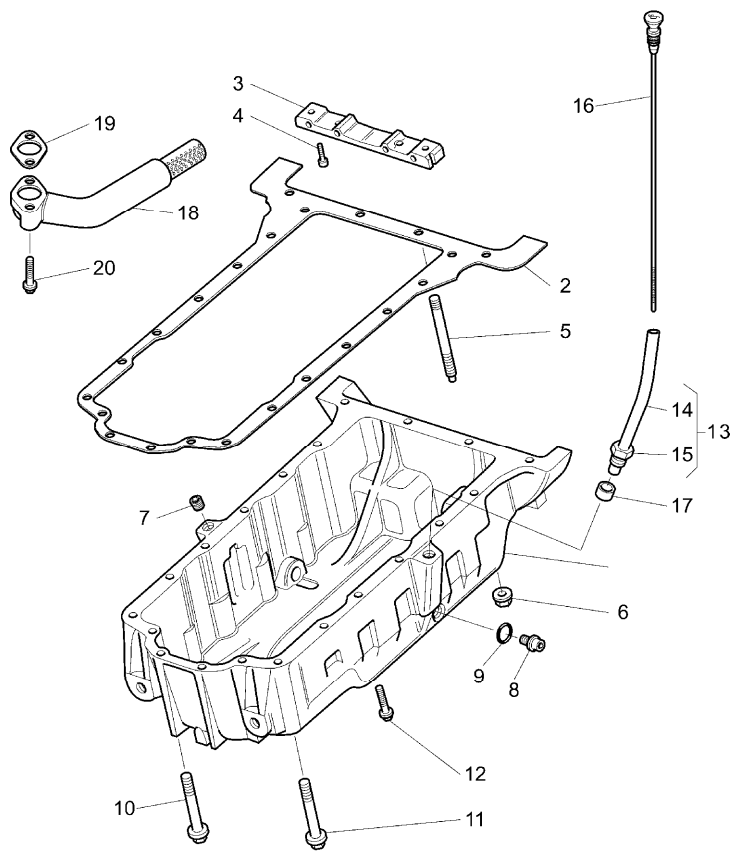
F/XL Tier 3 (2008-2009) - RP53 - F90 GE/XL



A0509

RP53\00011008.png

- Replacement
- (X) Qty per tractors sold (aa.bbb.ccc.ddd) (aa) for 1,(bbb) 2-10 (ccc) 11-25 (ddd) 26-50
- T-A Replacement



Engine

F/XL Tier 3 (2008-2009) - RP53 - F90 GE/XL

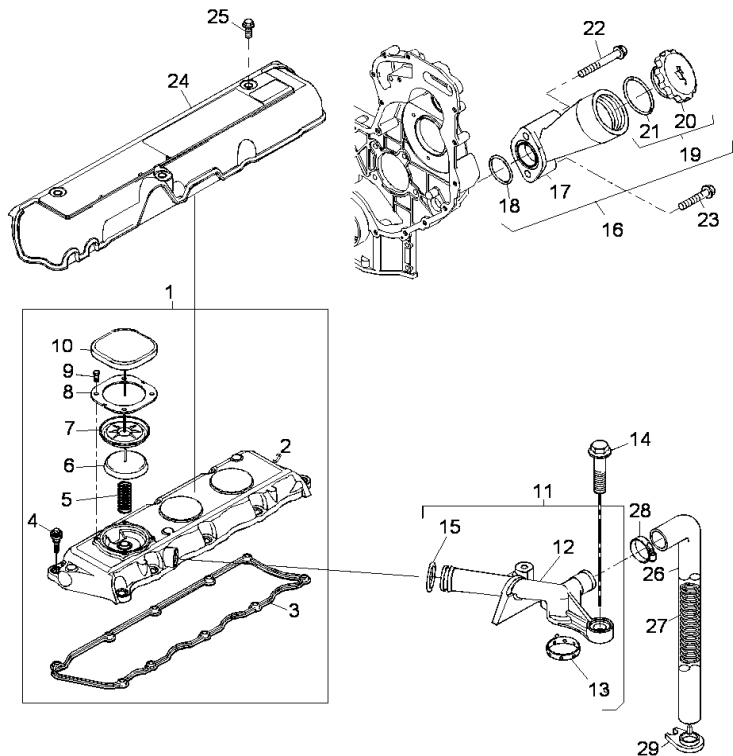
RP53\000015213.png

A-05
10



A0510

Lubricating oil filler and breather



		Inglese	
1	4142X322	● T417513(1)	1 Guard
2		! 1	1 Cover
3	3681A055	➡ Ref.n.1	1 Gasket
		(X) 0.1.3.	
		T-A 1:0	
4		➡ Ref.n.1	10 Screw
		! 1	
5	3174A017	! 1	1 Spring
		T-A 0:50	
6	3788A002	! 1	1 Cap
		T-A 0:25	
7	3789A001	! 1	1 Diaphragm
		T-A 0:25	
8	3615A009	! 1	1 Plate
		T-A 0:25	
9	2151A001	! 1	4 Screw
10	3788A003	! 1	1 Cap
		T-A 0:25	
11	4134K022		1 Pipe
12		! 11	1 Pipe
		➡ Ref.n.11	
13	2415H701	! 11	1 Ring
14	2314F005		2 Screw
15	2415A068	! 11	1 Ring
		T-A 0:50	

<https://www.ebooklibonline.com>

Hello dear friend!

Thank you very much for reading.

Enter the link into your browser.

The full manual is available for immediate download.

<https://www.ebooklibonline.com>