

Engine

F/XL Tier 3 (2008-2009) - RP53 - F65 GE

RP53\00005170.png

A-05
01



A0501

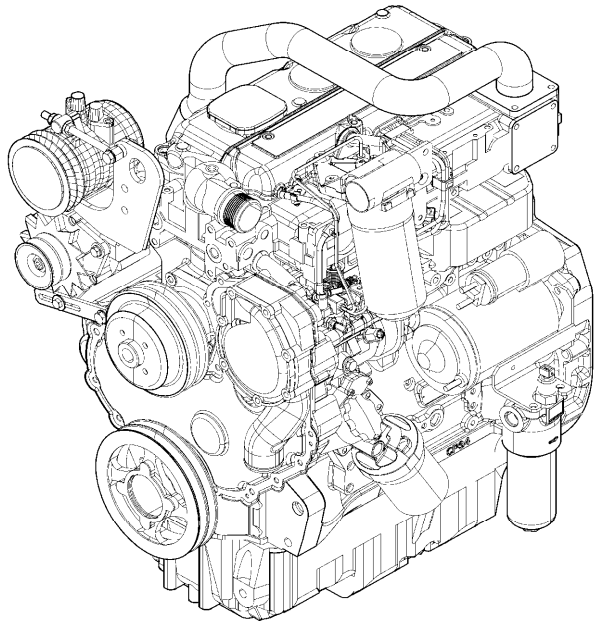
Engine assembly

Inglese

1 3695279M91

"perkins - xl75076" 1 Engine

1



Engine

F/XL Tier 3 (2008-2009) - RP53 - F65 GE

RP53\000015152.png

A-05
02



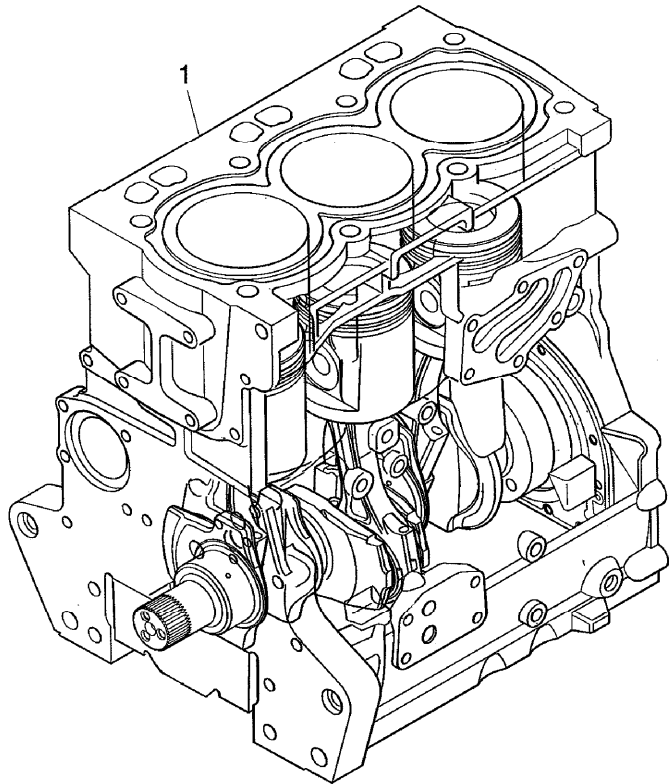
A0502

Short engine

Inglese

1 Cylinder block

1 XM40012



Engine

F/XL Tier 3 (2008-2009) - RP53 - F65 GE

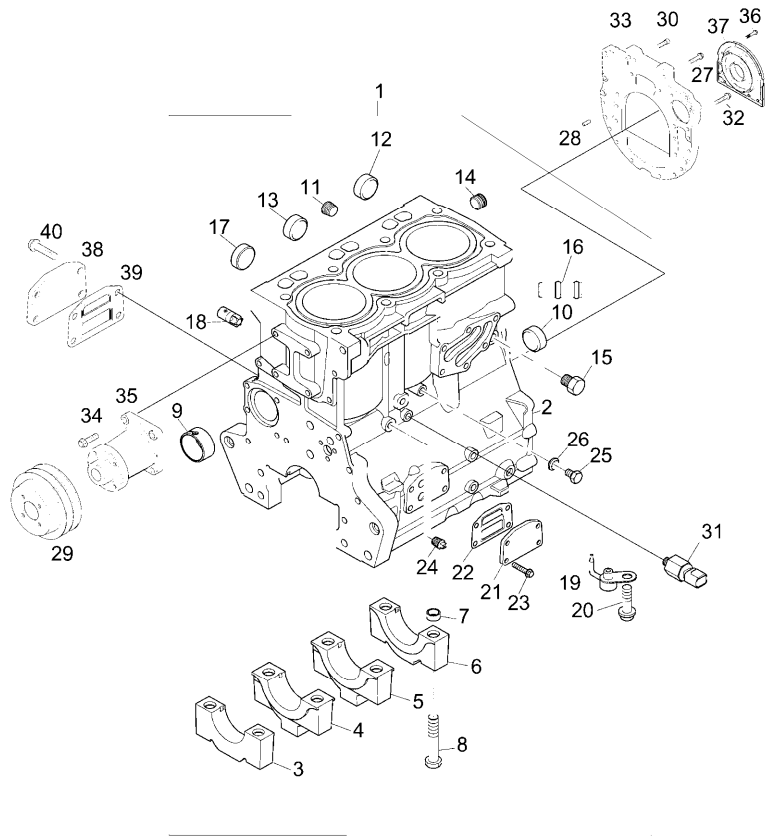
RP53\000015195.png

**A-05
03**



A0503

Cylinder block



				Inglese
1	4181V016	T-A	30:50	1 Cylinder
2		!	1	1 Cylinder
		➡	Ref.n.1	
3		!	1	1 Bearing
		➡	Ref.n.1	
4		!	1	1 Bearing
		➡	Ref.n.1	
5		!	1	1 Bearing
		➡	Ref.n.1	
6		!	1	1 Bearing
		➡	Ref.n.1	
7	33142111	!	1	8 Manicott
8	32166329	!	1	8 Screw
9	3112D071	!	1	1 Bush
		●	3112D075(1)	
10	3241A012	!	1	1 Plug
11	0650588	!	1	1 Plug
12	0650710	!	1	1 Plug
13	3241A011	!	1	2 Plug
14	3212P008	!	1	1 Plug
15	32141316	!	1	1 Plug
16	3313A022	!	1	1 Pipe
17	2485A108	!	1	1 Plug
18	3212V006	!	1	1 Plug
19	2113A003	!	1	3 Atomiser

<https://www.ebooklibonline.com>

Hello dear friend!

Thank you very much for reading.

Enter the link into your browser.

The full manual is available for immediate download.

<https://www.ebooklibonline.com>

Engine

F/XL Tier 3 (2008-2009) - RP53 - F65 GE

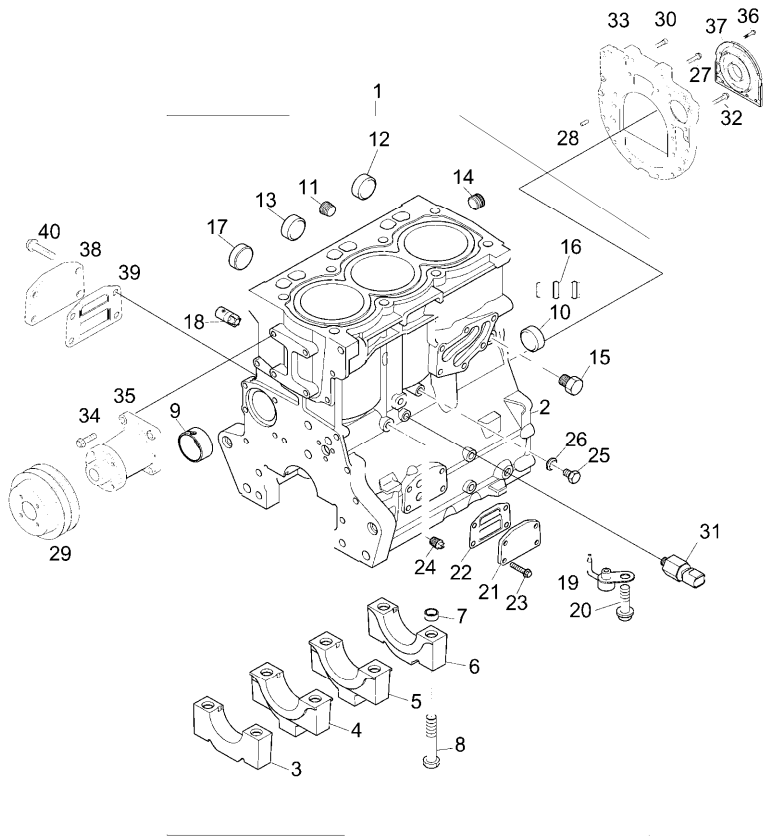
RP53\000015195.png

**A-05
03**



A0503

Cylinder block



				Inglese
20	2314F001	!	1	3 Screw
21	3623A009	!	1	2 Plate
		T-A	0:50	
22	3688A039	!	1	2 Gasket
		T-A	0:50	
23	2314H033	!	1	8 Screw
24	0650594	!	1	1 Plug
25	2314C049	!	1	1 Screw
26	2415D053	!	1	Washer
28	3245A011			2 Dowel
29	3115C113	T-A	2:0	1 Pulley
30	2311D105			1 Screw
31	2848A051	B		1 Pressure switch
32	2314J203			6 Screw
33	3714A062	T-A	6:0	1 Plate
34	2314J005			4 Screw
35	4113K005	T-A	2:0	1 Housing
36	3211C002			10 Screw
37	2418F704	T-A	11:0	1 Housing
38	3623A009	T-A	0:50	1 Plate
39	3688A039	(X)	0.1.3.	1 Gasket
		T-A	0:50	
40	2314H033			4 Screw

! This is a component of an assembly

Not serviced, order

Engine

A-05
03

Cylinder block

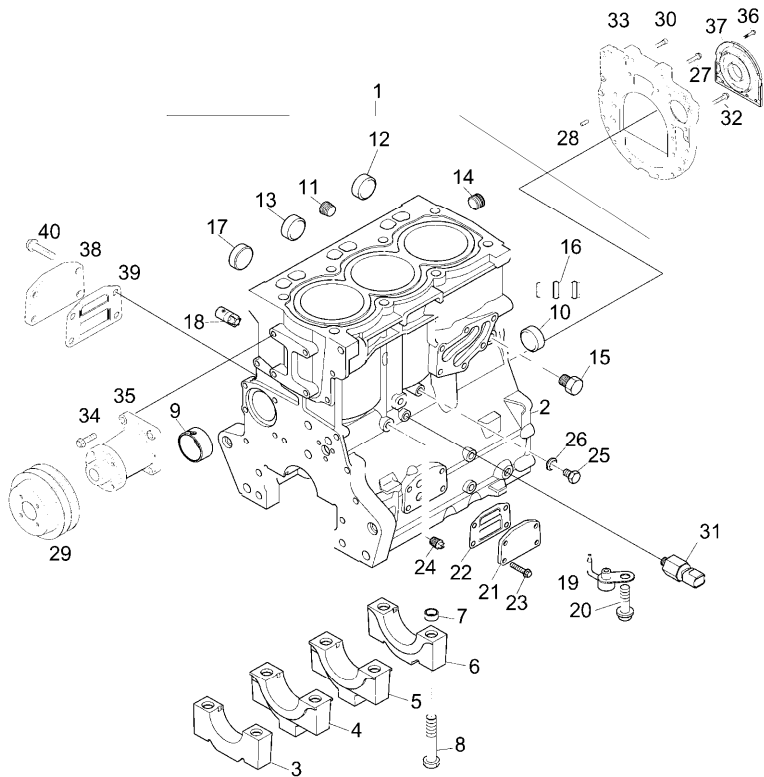
F/XL Tier 3 (2008-2009) - RP53 - F65 GE



A0503

RP53\000015195.png

- Replacement
- (X) Qty per tractors sold (aa.bbb.ccc.ddd) (aa) for 1,(bbb) 2-10 (ccc) 11-25 (ddd) 26-50
- T-A Replacement
- B Oil pressure



Engine

F/XL Tier 3 (2008-2009) - RP53 - F65 GE

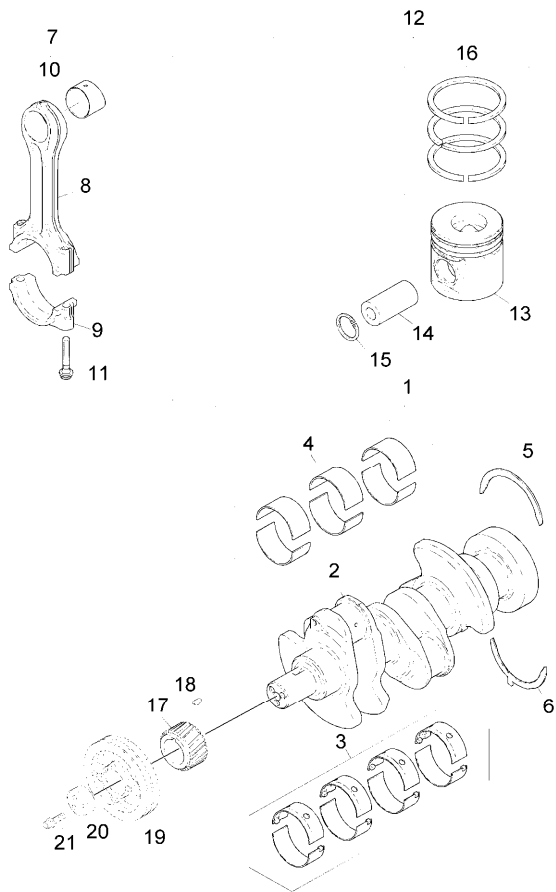
RP53\000015198.png

A-05
04



A0504

Crankshaft, pistons and connecting rods



				Inglese
1	4181V017	T-A	18:50	1 Shaft
2		!	1	1 Crankshaft
		➡	4181v017	
3	U5MB0019	!	1	1 Kit
		●	U5MB0037(1)	
		T-A	18:50	
3	U5MB0019A	!	1	1 Kit
		✂	(-)0.25 mm	
3	U5MB0019B	!	1	1 Kit
		✂	(-)0.50 mm	
		●	U5MB0037B(1)	
3	U5MB0019C	!	1	1 Kit
		✂	(-)0.75 mm	
4	U5ME0018	!	1	1 Kit
		●	U5ME0033(1)	
		T-A	18:50	
5	31137312	✂	(+)0.007"	2 Ring
		!	1	
		T-A	18:50	
5	31137551	!	1	2 Washer
		T-A	18:50	
6	31137322	✂	(+)0.007"	2 Ring
		!	1	
		T-A	18:50	
6	31137561	!	1	2 Washer
		T-A	18:50	

Engine

F/XL Tier 3 (2008-2009) - RP53 - F65 GE

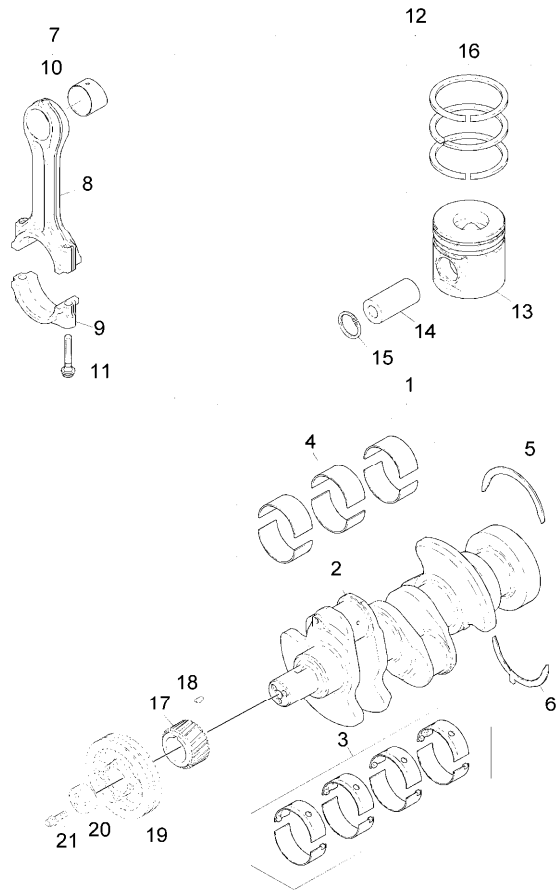
RP53\000015198.png

**A-05
04**



A0504

Crankshaft, pistons and connecting rods



		Inglese	
7	4115C311	➡ U491477 t F T-A 17:0	3 Kit
7	4115C312	➡ U491477 t E T-A 17:0	3 Kit
7	4115C313	➡ U491477 t D T-A 17:0	3 Kit
7	4115C314	➡ U491477 t C T-A 17:0	3 Kit
7	4115C315	➡ U491477 t B T-A 17:0	3 Kit
7	4115C316	➡ U491477 t A T-A 17:0	3 Kit
7	4115C361	➡ U491478 t F	3 Conrod
7	4115C362	➡ U491478 t E	3 Conrod
7	4115C363	➡ U491478 t D	3 Conrod
7	4115C364	➡ U491478 t C	3 Conrod

Engine

F/XL Tier 3 (2008-2009) - RP53 - F65 GE

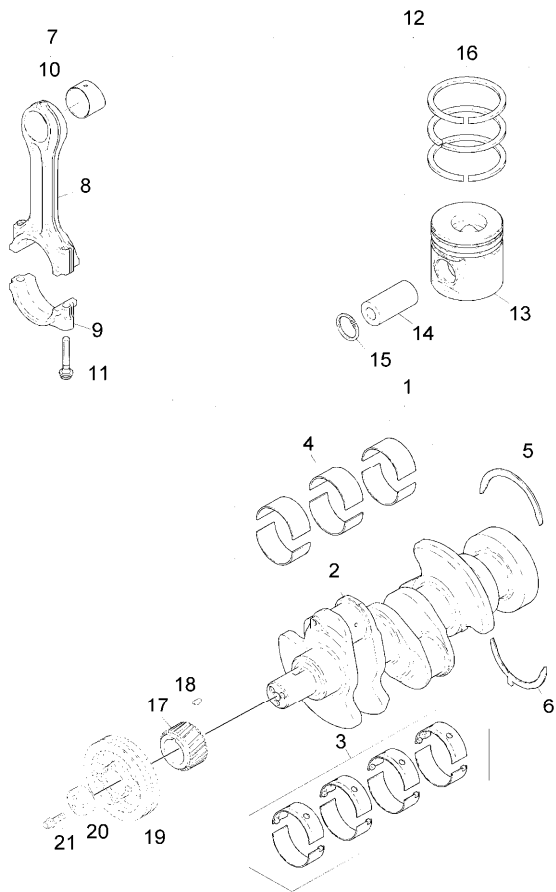
RP53\000015198.png

**A-05
04**



A0504

Crankshaft, pistons and connecting rods



		Inglese	
7	4115C365	➡ U491478 t B	3 Conrod
7	4115C366	➡ U491478 t A	3 Conrod
8		! 7	1 Conrod
9		➡ Ref.n.7	1 Guard
10	3112A005	! 7 T-A 17:0	1 Bush
11	3212V003	! 7	2 Screw
12	U5PR0064		3 Kit
13		! 12	1 Piston
14		➡ Ref.n.12 ! 12	1 Pin
15	2721332	! 12	2 Ring
16	UPRK0005	! 12	1 Kit
17	3117C221	T-A 13:0	1 Gear
18	0500012	T-A 13:0	1 Key
19	3115T051	T-A 2:0	1 Pulley
20	3241N001	T-A 2:0	1 Block
21	32186137		3 Screw

- ! This is a component of an assembly
- ➡ From serial or engine number
- ➡ Up to serial or engine number

Engine

F/XL Tier 3 (2008-2009) - RP53 - F65 GE

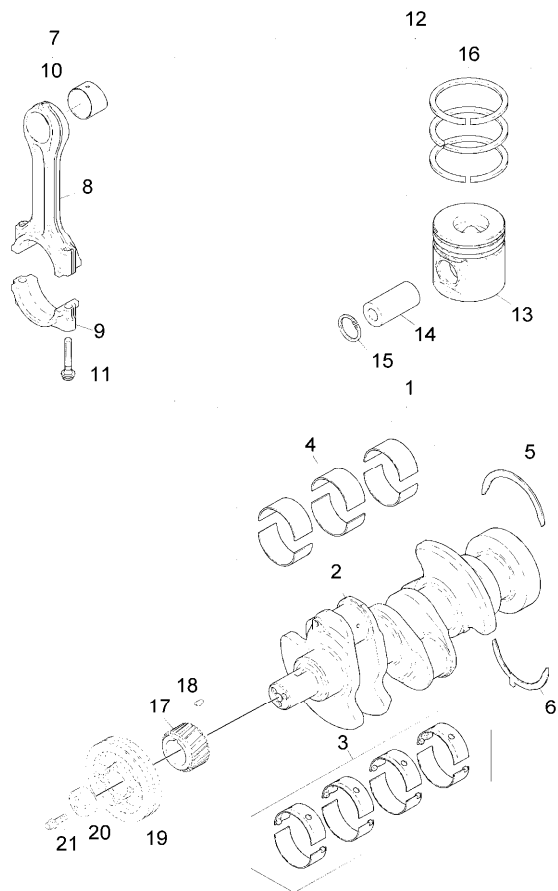
RP53\000015198.png




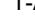

**A-05
04**



A0504

Crankshaft, pistons and connecting rods



-  Not serviced, order
-  Shim
-  Replacement
-  Replacement
-  Replacement
-  Blue
-  Purple
-  Green
-  White
-  Orange
-  Red

Engine

F/XL Tier 3 (2008-2009) - RP53 - F65 GE

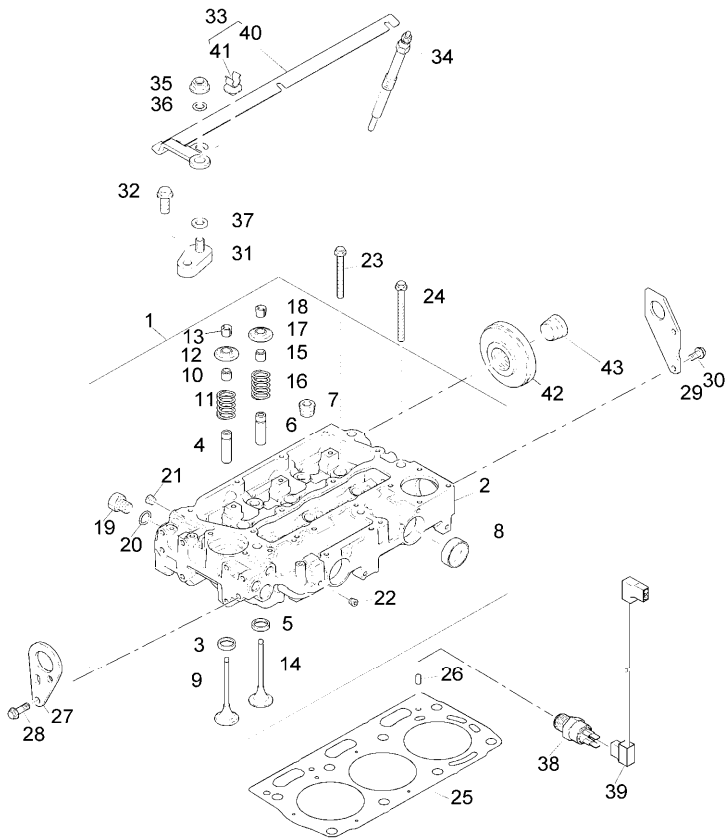
RP53\000015200.png

A-05
05



A0505

Cylinder head



			Inglese
1	ZZ80282		1 Cylinder head
2		! 1	1 Head
		➡ Ref.n.1	
3	3314A241	! 1	3 Insert
4	3313A012	! 1	3 Insert
5	3314A231	! 1	3 Insert
6	3313A012	! 1	3 Insert
7	0650588	! 1	3 Plug
		T-A 0:50	
8	32416117	! 1	3 Plug
		T-A 1:0	
9	3142H111	! 1	3 Valve
10	2418M519	! 1	3 Ring
		A	
11	3174A031	! 1	3 Spring
		● T417479(3)	
12	3342A021	! 1	3 Coperch.
13	2714A002	! 1	6 Collar
14	3142A171	! 1	3 Valve
15	2418M517	! 1	3 Ring
		B	
16	3174A031	! 1	3 Spring
		● T417479(3)	
17	3342A021	! 1	3 Coperch.
18	2714A002	! 1	6 Collar

Engine

F/XL Tier 3 (2008-2009) - RP53 - F65 GE

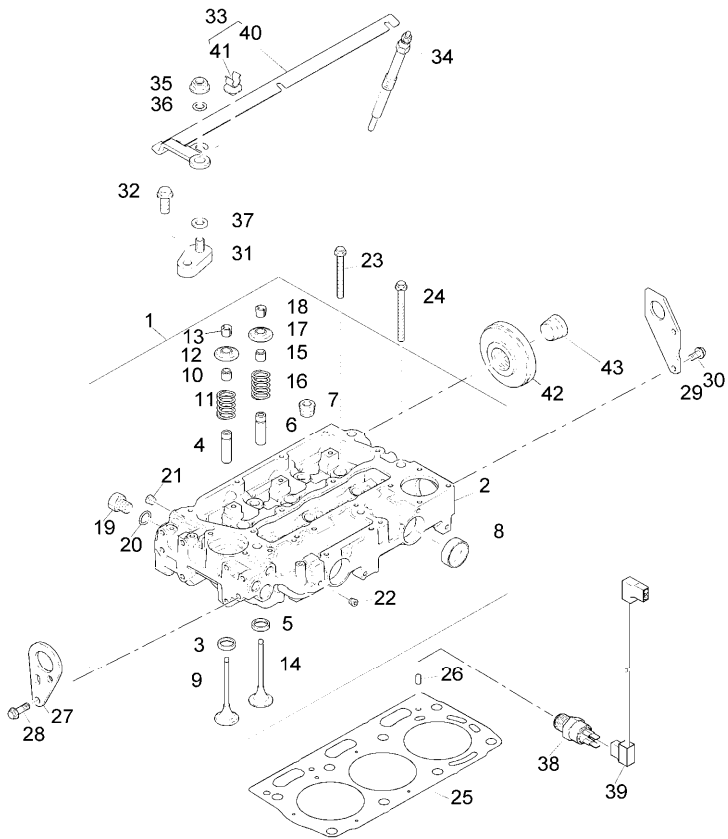
RP53\000015200.png

A-05
05



A0505

Cylinder head



			Inglese
19	3278A006	! 1	1 Plug
20	2415H003	! 1	1 Ring
21	2431154	! 1	1 Plug
22	2431154	! 1	1 Plug
23	3218A011		5 Screw
24	3218A012		3 Screw
25	3681E049		1 Gasket
26	3244A009		2 Dowel
27	3617A015		1 Stirrup
28	2314J002		2 Screw
29	3624A016		1 Stirrup
30	2314J002		2 Screw
31	3881A006		1 Insulator
32	2314F004		1 Screw
33	3812A031	T-A 0:50	1 Bar
34	2666A016	T-A 0:75	3 Spark plug
35	2318A602		1 Nut
36	2134A609		1 Washer
37	0920002		1 Washer
38	2848A127	T-A 0:25	1 Sensor
39	3161C017	T-A 0:25	1 Cable
40		➡ Ref.n.33	1 Bar
		! 33	
41	2481D456	! 33	1 Clip

Engine

F/XL Tier 3 (2008-2009) - RP53 - F65 GE

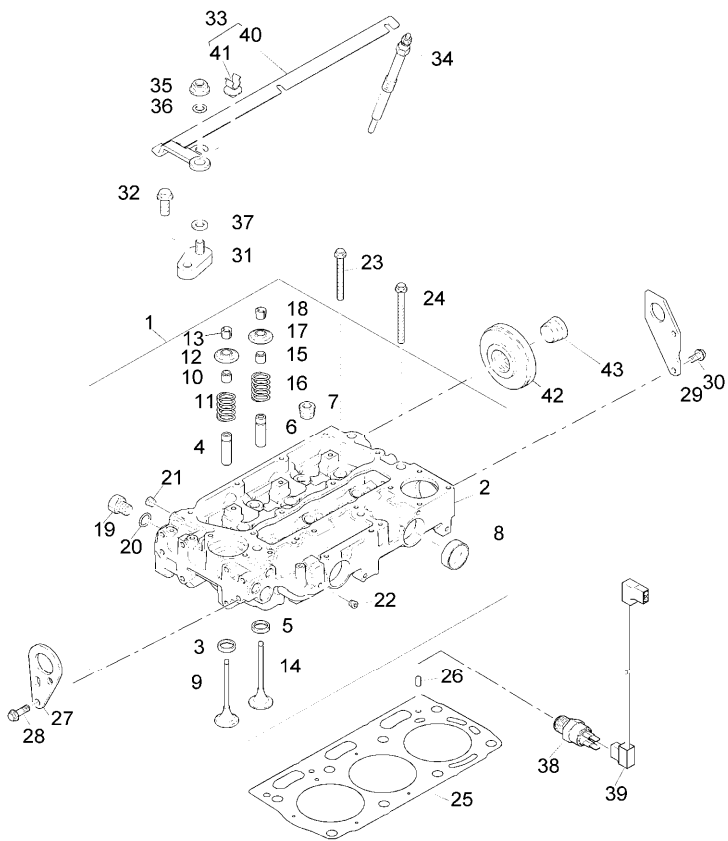
RP53\000015200.png

A-05
05



A0505

Cylinder head



42 3342A701

43 2431154

! This is a component of an assembly

Not serviced, order

Replacement

T-A Replacement

A Green

B Brown

Inglese

1 Connection

Plug

Engine

F/XL Tier 3 (2008-2009) - RP53 - F65 GE

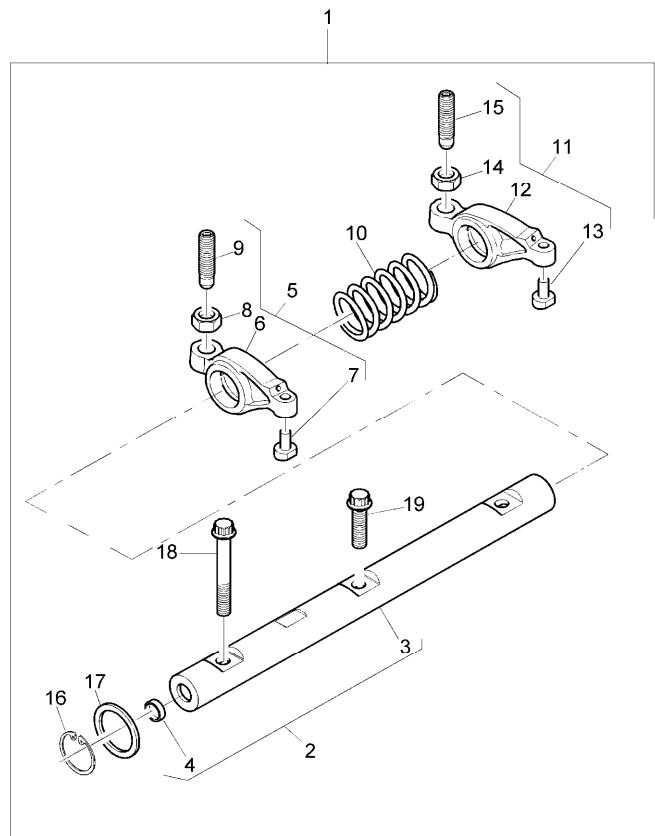
RP53\000015203.png

A-05
06



A0506

Rocker shaft



		Inglese
-		
1	4115R614	1 Rocker
2	4115R702	1 Shaft
	T-A 4:0	
3	!	1 Rockerarm
	! 2	
	➡ Ref.n.2	
4	2485A104	2 Plug
5	4115R319	3 Lever
6	!	1 Rocker
	! 5	
	➡ Ref.n.5	
7	!	1 Pad
	! 5	
	➡ Ref.n.5	
8	3331A006	1 Nut
9	3211C004	1 Screw
10	3174A015	2 Spring
	T-A 4:0	
11	4115R318	3 Lever
12	!	1 Rocker
	! 11	
	➡ Ref.n.11	
13	!	1 Pad
	! 11	
	➡ Ref.n.11	
14	3331A006	1 Nut
15	3211C004	1 Screw
16	2722A022	2 Ring
17	2134A502	2 Washer

Engine

F/XL Tier 3 (2008-2009) - RP53 - F65 GE

RP53\000015203.png

A-05
06



A0506

Rocker shaft

Inglese

18 2316A901 ! 1

1 Screw

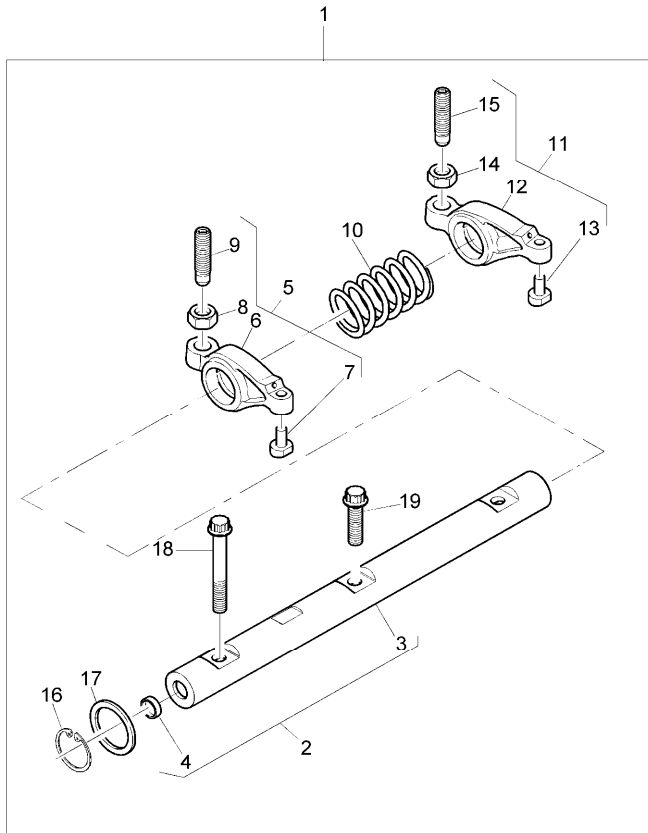
19 2316A902 ! 1

2 Screw

! This is a component of an assembly

Not serviced, order

T-A Replacement



Engine

F/XL Tier 3 (2008-2009) - RP53 - F65 GE

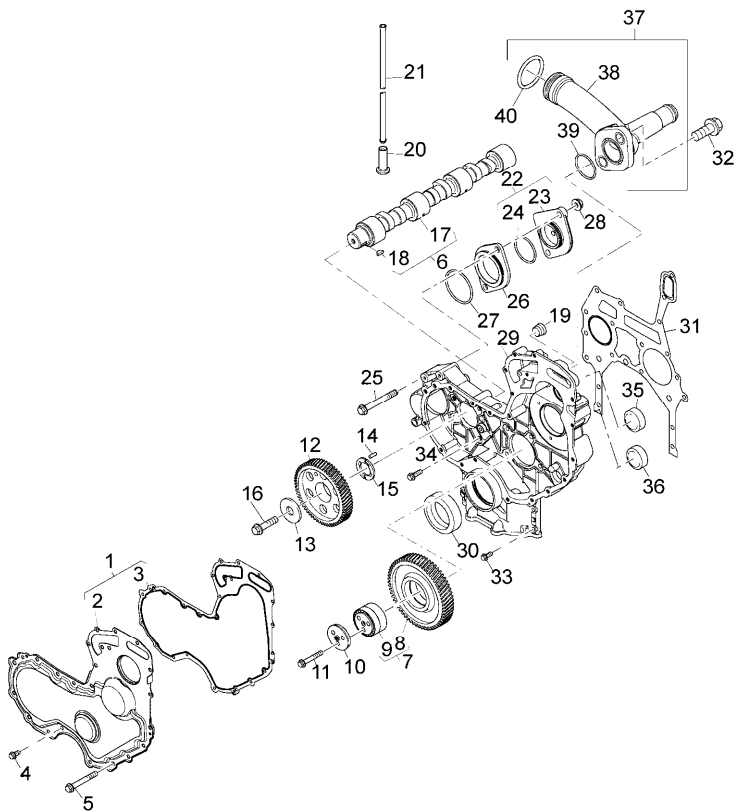
RP53\000015205.png

**A-05
07**



A0507

Timing gear and camshaft



		Inglese
-		1
1	4142A503	1 Kit
2	!	1 Overlay
	➡ Ref.n.1	
3	3681P046	1 Gasket
	(X) 0.1.3.	
	T-A 4:50	
4	2314H002	9 Screw
5	2314H012	5 Screw
6	4112K034	1 Shaft
7	4111A042	● 4111A048(1) 1 Gear
8	!	7 1 Gear
	➡ Ref.n.7	
9	!	7 1 Hub
	➡ Ref.n.7	
10	3321A012	1 Plate
11	2314J012	3 Screw
12	3117L271	● 3117L272(1) 1 Gear
13	3321A003	1 Washer
14	2116053	1 Pin
15	3112X011	1 Washer
16	2314J606	1 Screw
17	!	6 1 Shaft
	➡ Ref.n.6	
18	0500012	! 6 1 Key

Engine

F/XL Tier 3 (2008-2009) - RP53 - F65 GE

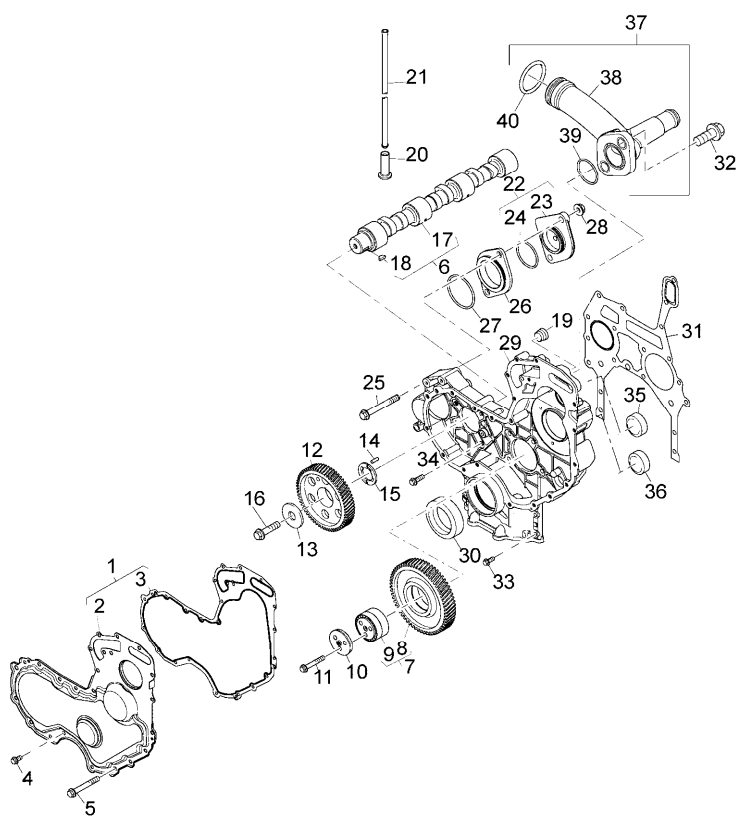
RP53\000015205.png

**A-05
07**



A0507

Timing gear and camshaft



- 19 2431154
- 20 3142U061
- 21 3142V011
- 22 4148K012 T-A 4:75
- 23 ! 22
- ▶ Ref.n.22
- 24 2415H515 ! 22
- 25 2314J014
- 26 3617A021 T-A 4:75
- 27 2415H516
- 28 2318A604
- 29 3716C581
- 30 2418F437
- 31 3681P053
- 32 2314H003
- 33 2314H003
- 34 2314H034
- 35 2485A124
- 36 2485A124
- 37 4133L049 T-A 4:75
- 38 ! 37
- ▶ Ref.n.37
- 39 2418F001 ! 37
- T-A 4:75

Inglese

- 1 Plug
- 6 Tappet
- 6 Rod
- 1 Plate
- 1 Plate
- 1 Ring
- 2 Screw
- 1 Disc
- 1 O ring
- 2 Nut
- 1 Housing
- 1 Gasket
- 1 Gasket
- Screw
- 8 Screw
- 4 Screw
- 1 Plug
- 1 Plug
- 1 Connection
- 1 Connection
- 1 Ring

Engine

F/XL Tier 3 (2008-2009) - RP53 - F65 GE

RP53\000015205.png

A-05
07



A0507

Timing gear and camshaft

Inglese

40 2418F002 ! 37

1 Ring

T-A 4:75

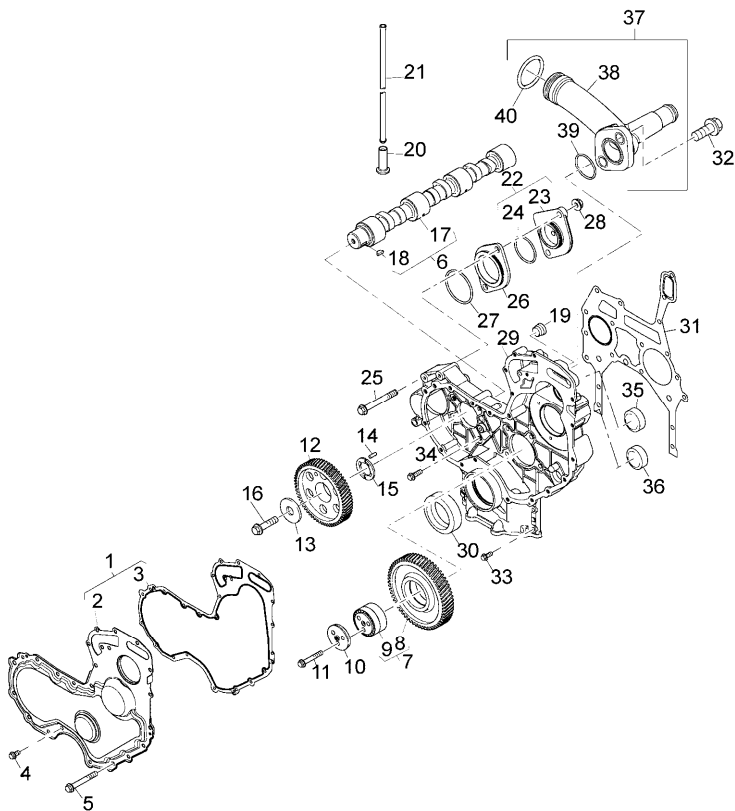
! This is a component of an assembly

Not serviced, order

Replacement

(X) Qty per tractors sold (aa.bbb.ccc.ddd) (aa) for 1,(bbb) 2-10 (ccc) 11-25 (ddd) 26-50

T-A Replacement



Engine

F/XL Tier 3 (2008-2009) - RP53 - F65 GE

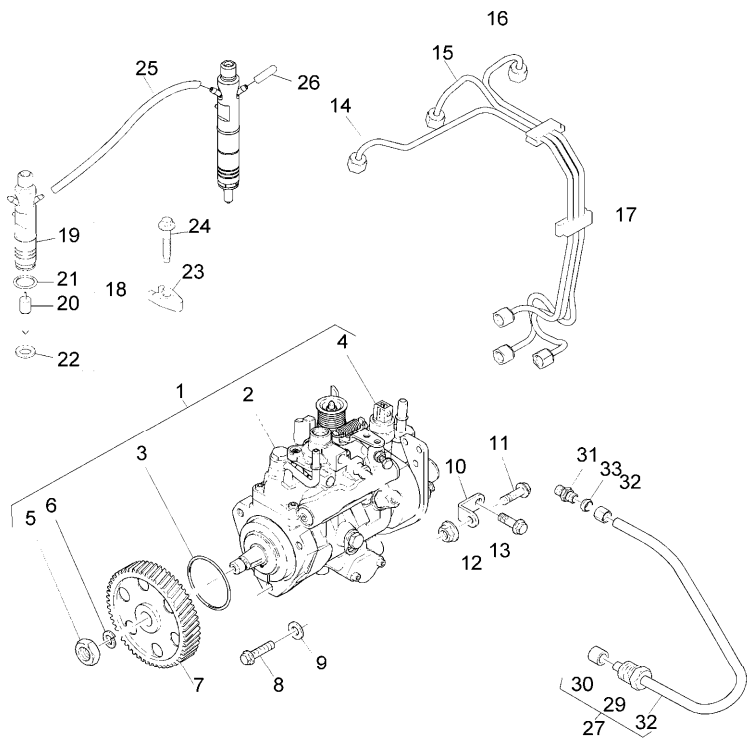
RP53\000015207.png

**A-05
08**



A0508

Fuel injection equipment (diesel)



		Inglese
1	2643B344/22	1 Pump
2	!	1 Pump
	➡ Ref.n.1	
3	26420318	1 Ring
	T-A 4:50	
4	26420469	1 Solenoid
	(X) 0.1.2.	
	T-A 0:25	
5	2318A108	1 Nut
6	K134AF01	1 Washer
7	3117L261	1 Gear
8	2314H004	3 Screw
9	2411D008	3 Washer
10	3641A007	1 Stirrup
11	2314H003	1 Screw
12	2318A603	1 Nut
13	2314J002	1 Screw
14	3525A114	1 Pipe
15	3525A115	1 Pipe
16	3525A116	1 Pipe
17	2646E018	2 Clip
18	2645K031	3 Nozzle
19	➡ Ref.n.18	1 Nozzle
	!	18

Engine

F/XL Tier 3 (2008-2009) - RP53 - F65 GE

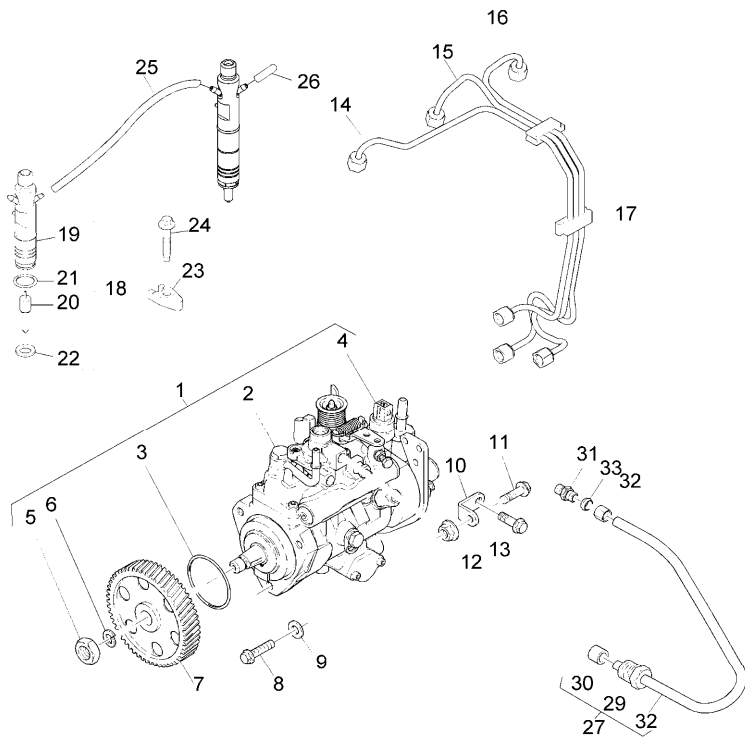
RP53\000015207.png

**A-05
08**



A0508

Fuel injection equipment (diesel)



		Inglese	
20	➡ Ref.n.18	1	Nozzle
	! 18		
21	26460064 ! 18	1	Ring
22	L311FF02 ! 18	1	Washer
23	3751A241	3	Clamp
24	2314W009	3	Screw
24	3673286M91	1	Cable
25	2646F501	2	Pipe
26	2646E501	1	Cap
27	4121A067	1	Pipe
28	! 27	1	Pipe
	➡ Ref.n.27		
29	➡ Ref.n.27	1	Union
	! 27		
30	33811112 ! 27	1	Spinner
31	0206002	1	Union
32	0576111	1	Nut
33	0566002	1	Olive
!	This is a component of an assembly		
➡	Not serviced, order		
(X)	Qty per tractors sold (aa.bbb.ccc.ddd) (aa) for 1,(bbb) 2-10 (ccc) 11-25 (ddd) 26-50		
T-A	Replacement		

Engine

F/XL Tier 3 (2008-2009) - RP53 - F65 GE

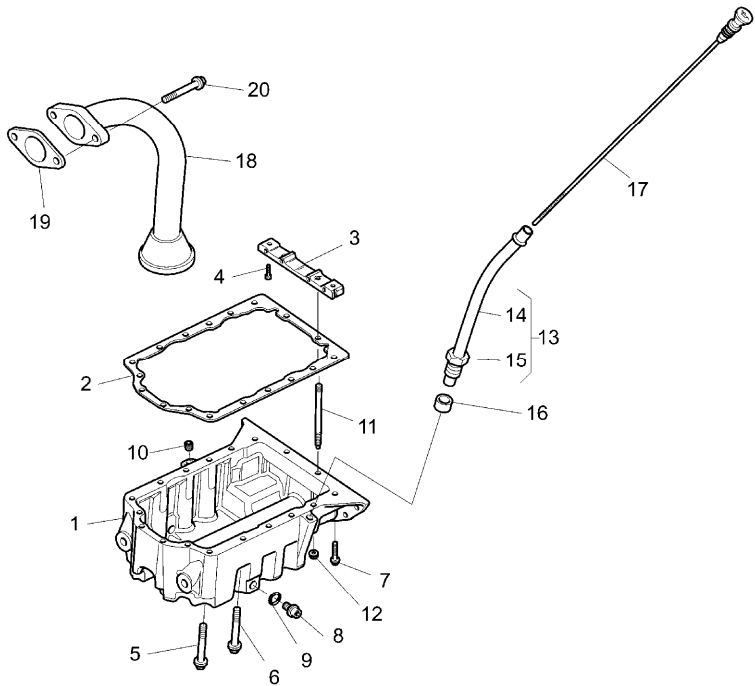
RP53\00010982.png

**A-05
09**



A0509

Lubricating oil sump



		Inglese
1	3717C142	1 Sump
2	3681K038 (X) 0.1.3. T-A 2:0	1 Gasket
3	3627P041 T-A 2:0	1 Crosspiece
4	2311D039	2 Screw
5	2314H022 ● 2314H052(6)	6 Screw
6	2314H015	8 Screw
7	2314K159	2 Screw
8	32186405	2 Plug
9	2415715	2 Ring
10	2431A016	1 Plug
11	3211P022	2 Stud
12	2318A603	2 Nut
13	3577A159	1 Pipe
14	! 13	1 Pipe
	➡ Ref.n.13	
15	3353D005 ! 13	1 Nut
16	33812116 T-A 0:25	1 Olive
17	3178C081	1 Rod
18	3575A064 T-A 2:25	1 Pipe
19	36832137 T-A 2:25	1 Gasket
20	2314H004	2 Screw

! This is a component of an assembly

➡ Not serviced, order

● Replacement

Engine

F/XL Tier 3 (2008-2009) - RP53 - F65 GE

RP53\00010982.png

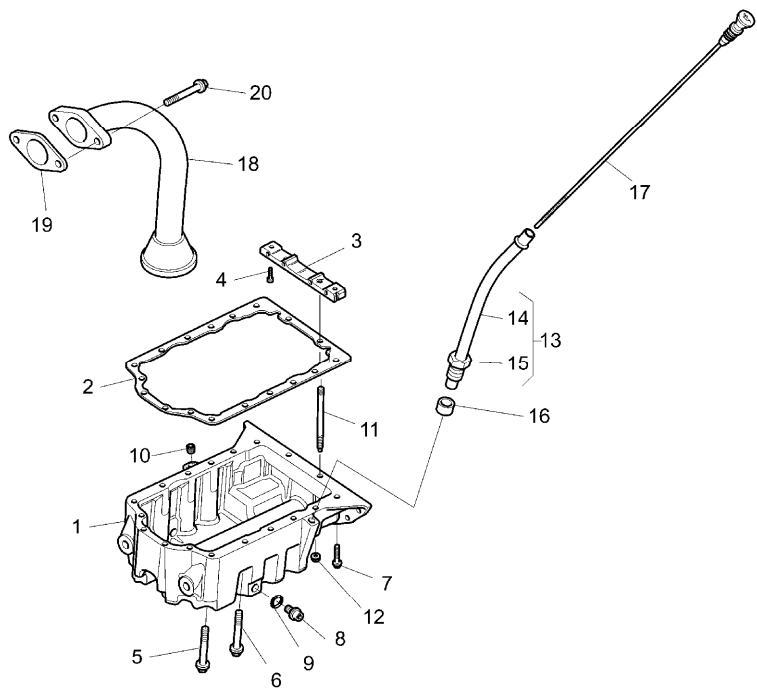
A-05
09



A0509

Lubricating oil sump

(X) Qty per tractors sold (aa.bbb.ccc.ddd) (aa) for 1,(bbb) 2-10 (ccc) 11-25 (ddd) 26-50
T-A Replacement



Engine

F/XL Tier 3 (2008-2009) - RP53 - F65 GE

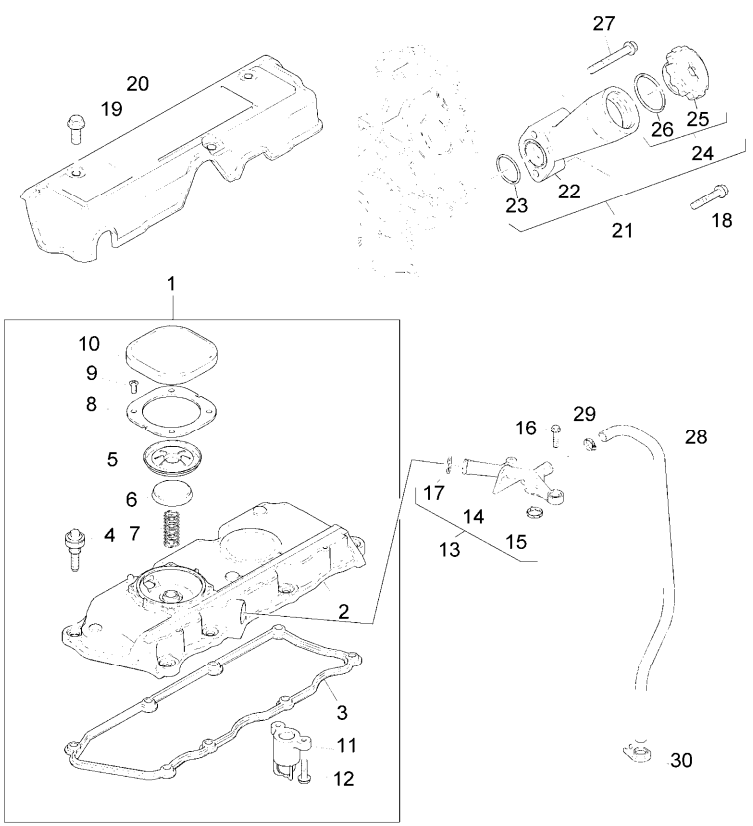
RP53\000015211.png

**A-05
10**



A0510

Lubricating oil filler and breather



		Inglese
1	4142X392	1 Coperch.
2	!	1 Cover
	➡ Ref.n.1	
3	3681A057	1 Coperch.
	(X) 0.1.3.	
	T-A 1:0	
4	➡ Ref.n.1	8 Screw
	!	
5	3789A001	1 Diaphragm
	T-A 0:25	
6	3788A002	1 Cap
	T-A 0:25	
7	3174A017	1 Spring
	T-A 0:50	
8	3615A009	1 Plate
	T-A 0:25	
9	2152A034	4 Screw
10	3788A003	1 Cap
	T-A 0:25	
11	2652A019	1 Valve
	T-A 1:0	
12	2314D106	2 Screw
13	4134K022	1 Pipe
14	!	13
	➡ Ref.n.13	
15	2415H701	1 Ring

Engine

F/XL Tier 3 (2008-2009) - RP53 - F65 GE

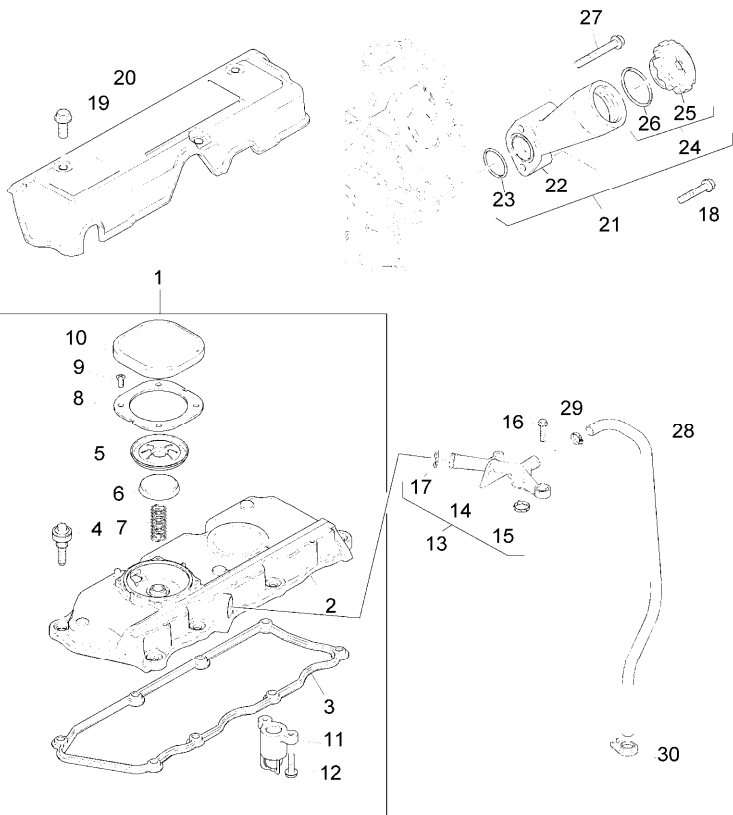
RP53\000015211.png

**A-05
10**



A0510

Lubricating oil filler and breather



		Inglese
16	2314F005	2 Screw
17	2415A068	1 Ring
	! 13	
	T-A 0:50	
18	2314H008	1 Screw
19	2314F003	3 Screw
20	3788N004	1 Guard
21	4134C019	1 Filler
22		1 Body
	! 21	
	➡ Ref.n.21	
23	2415B121	1 O ring
24	4142X098	1 Plug
	(X) 0.1.2.	
	T-A 0:25	
25		1 Plug
	! 24	
	➡ Ref.n.24	
26	2415633	1 O ring
	! 24	
	T-A 0:25	
27	2314K161	1 Screw
28	3482V094	1 Pipe
29	2481863	1 Clamp
	● 21825195(1)	
30	36241123	1 Support
!	This is a component of an assembly	
➡	Not serviced, order	
●	Replacement	
(X)	Qty per tractors sold (aa.bbb.ccc.ddd) (aa) for 1,(bbb) 2-10 (ccc) 11-25 (ddd) 26-50	
T-A	Replacement	



Suggest:

For more complete manuals. Please go to the home page.

<https://www.ebooklibonline.com>

If the above button click is invalid. Please download this document first, and then click the above link to download the complete manual.

Thank you so much for reading

Engine

F/XL Tier 3 (2008-2009) - RP53 - F65 GE

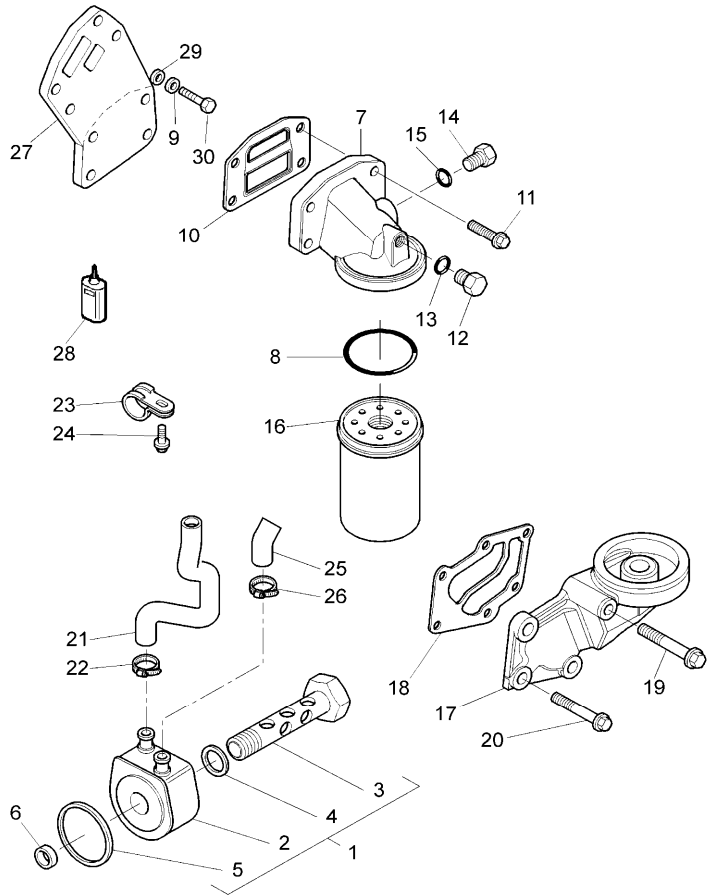
RP53\000015214.png

A-05
11



A0511

Heat exchanger and lubricating oil filter



		Inglese	
1	2486A221	● 2486A241(1)	1 Cooler
		T-A 1:0	
2		! 1	1 Cooler
		➡ Ref.n.1	
3	2486A224	! 1	1 Adaptor
		T-A 1:0	
4	2411A524	! 1	1 Gasket
		● 2411A525(1)	
		T-A 1:0	
5	2486A223	! 1	1 Gasket
		T-A 1:0	
6	3311A042		1 Seal
7	3773A061		1 Head
8	3672135M1		2 Gasket
9	390972X1	● Substitutions error	4 Washer
10	3688A039	T-A 0:50	1 Gasket
11	2314H034		4 Screw
12	3278A007		1 Plug
13	2415H009	T-A 0:25	1 O ring
14	3278A004		1 Plug
15	2415H002	T-A 0:25	1 Ring
16	2654403		1 Filter
17	3766A171	T-A 0:25	1 Adaptor
18	3687M037	(X) 0.1.2.	1 Gasket
		T-A 0:25	

Engine

F/XL Tier 3 (2008-2009) - RP53 - F65 GE

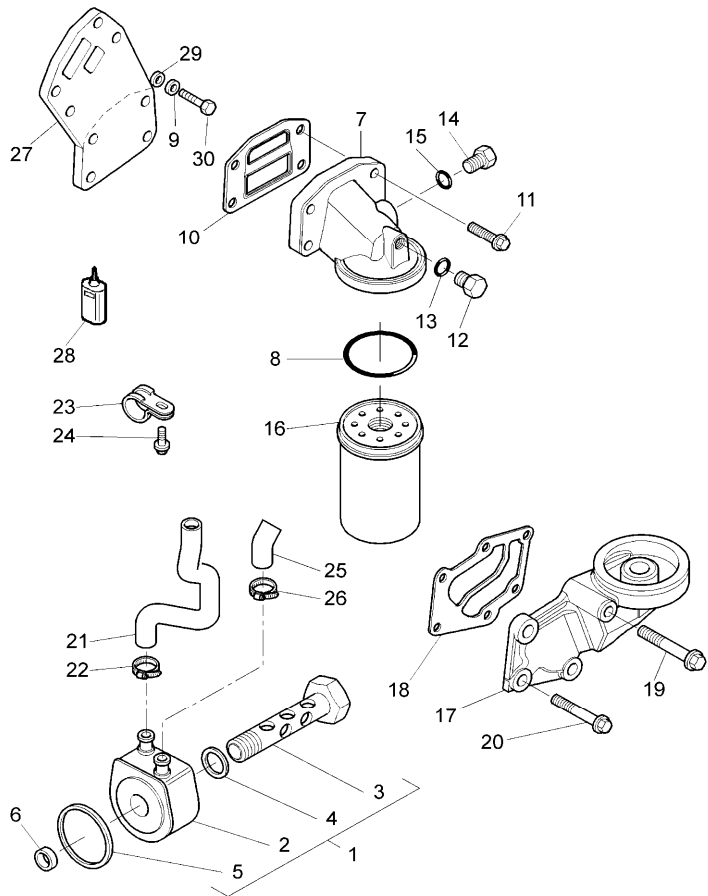
**A-05
11**



A0511

Heat exchanger and lubricating oil filter

RP53\000015214.png



		Inglese
19	2314H010	2 Screw
20	2314H004	4 Screw
21	3482V093	T-A 0:25 1 Pipe
22	2481863	● 21825195(2) 2 Clamp
23	2481D156	1 Clip
24	2314H002	1 Screw
25	3482H023	T-A 0:25 1 Pipe
26	2481863	● 21825195(2) 2 Clamp
27	3670728M1	1 Support
28	3663814M1	● 1427801M2(999) 999 Loctite
29	339374X1	● Substitutions error 4 Lock & seal
30	1440349X1	M8x30 4 Screw
30	339011X1	M8x45 4 Screw
! This is a component of an assembly		
➡ Not serviced, order		
● Replacement		
(X) Qty per tractors sold (aa.bbb.ccc.ddd) (aa) for 1,(bbb) 2-10 (ccc) 11-25 (ddd) 26-50		
T-A Replacement		

<https://www.ebooklibonline.com>

Hello dear friend!

Thank you very much for reading.

Enter the link into your browser.

The full manual is available for immediate download.

<https://www.ebooklibonline.com>