

Engine

F/XL Techno Tier 2 (2003-2008) - RP52 - F105 F/GE/XL

RP52\00005170.png

A-05  
01



A0501

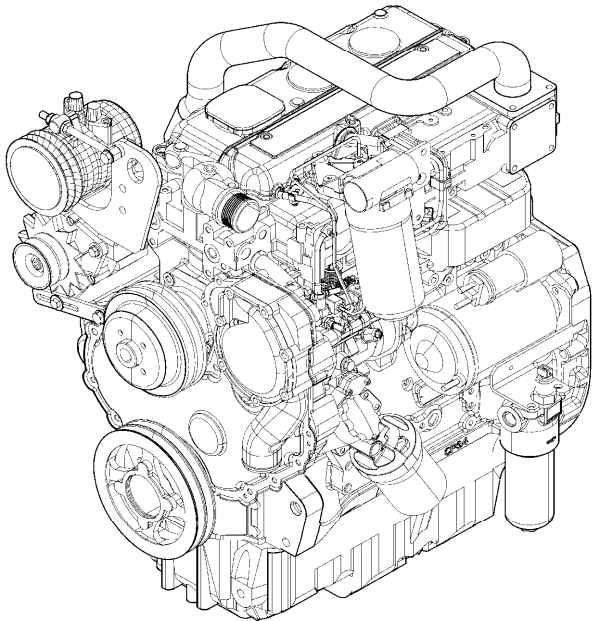
Engine assembly

Inglese

1 3670566M93 "perkins - rg37929 1 Engine  
72.5 kw  
T-A 10:50  
T-B 30:50

T-A Replacement  
T-B Overhaul

1



Engine

F/XL Techno Tier 2 (2003-2008) - RP52 - F105 F/GE/XL

RP52\00002787.png

A-05  
011

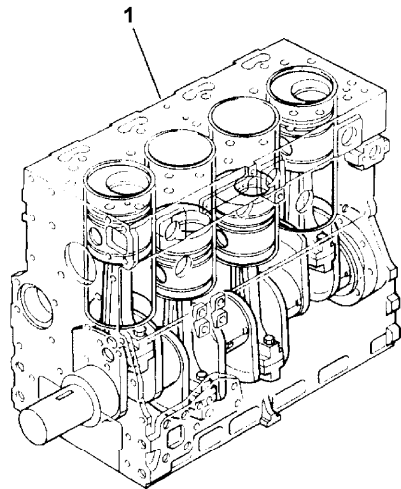


A05011

Short engine

Inglese

- 1 RG40001 U491476 t 1 Short engine
- 3115A141(1),  
32186146(3), RG4
- T-A 30:0
- 1 RG40023 U491477 t 1 Short engine
- From serial or engine number
- Up to serial or engine number
- Replacement
- T-A Replacement



Engine

A-05  
02

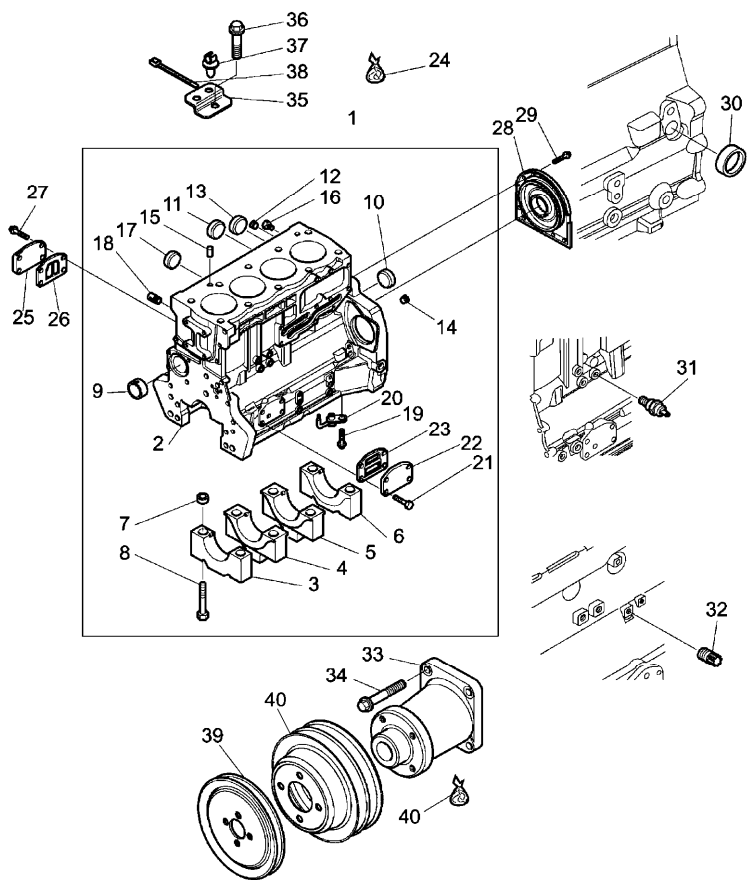
Cylinder block

F/XL Techno Tier 2 (2003-2008) - RP52 - F105 F/GE/XL



A0502

RP52\000014757.png



Inglese

1	ZZ50312	● ZZ50325(1)	1 Kit
		T-A 30:50	
2		! 1	1 Block
		➡ Ref.n.1	
3		! 1	1 Cap
		➡ Ref.n.1	
4		! 1	2 Cap
		➡ Ref.n.1	
5		! 1	1 Cap
		➡ Ref.n.1	
6		! 1	1 Cap
		➡ Ref.n.1	
7	33142111	! 1	10 Manicott
8	32166329	! 1	10 Screw
9	3112D071	! 1	1 Bush
		● 3112D075(1)	
10	3241A012	! 1	1 Plug
11	3241A011	! 1	2 Plug
12	0650588	! 1	1 Plug
13	0650710	! 1	1 Plug
14	3212P008	! 1	1 Plug
15	3244A009	! 1	2 Dowel
16	32141316	! 1	2 Plug
17	2485A108	! 1	1 Plug
18	3212V006	! 1	1 Plug

**<https://www.ebooklibonline.com>**

Hello dear friend!

Thank you very much for reading.

Enter the link into your browser.

The full manual is available for immediate download.

**<https://www.ebooklibonline.com>**

Engine

A-05  
02

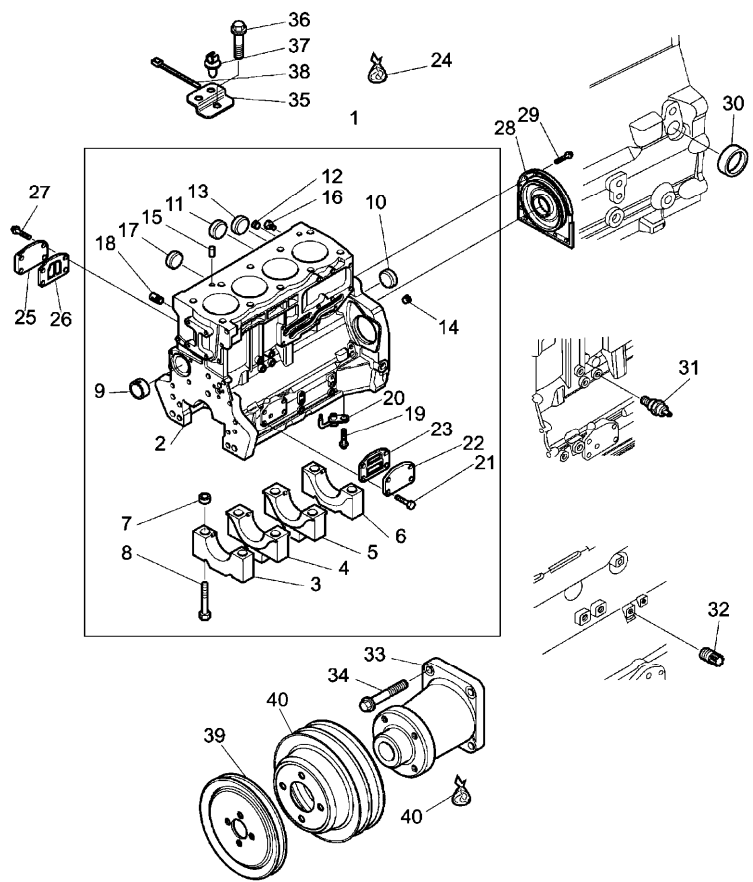
Cylinder block

F/XL Techno Tier 2 (2003-2008) - RP52 - F105 F/GE/XL



A0502

RP52\000014757.png



		Inglese	
19	2314F001	! 1	4 Screw
20	2113A001	! 1	4 Atomiser
		● 2113A003(4)	
21	2314H033	! 1	4 Screw
22	3623A009	! 1	1 Plate
		T-A 0:50	
23	3688A039	! 1	1 Gasket
		T-A 0:50	
25	3753A081	T-A 0:50	1 Coperch.
26	3688A041	T-A 0:50	1 Ring
27	2314H034		4 Screw
28	2418F704	(X) 0.1.4.	1 Housing
		T-A 11:0	
29	3211C002		10 Screw
30	2485A109		1 Plug
31	2848062	● 4172E054(1)	1 Switch
		T-A 0:25	
32	3212V005		1 Plug
33	4113K005	T-A 2:0	1 Housing
34	2314J005		4 Screw
35	3651A016		1 Support
36	2314H002		1 Screw
37	2481D556	● 2481D558(1)	1 Clip
38	2817154		1 Hitch
39	3114X192		1 Pulley

Engine

A-05  
02

Cylinder block

F/XL Techno Tier 2 (2003-2008) - RP52 - F105 F/GE/XL



A0502

RP52\000014757.png

Inglese

40 3115C161

1 Pulley

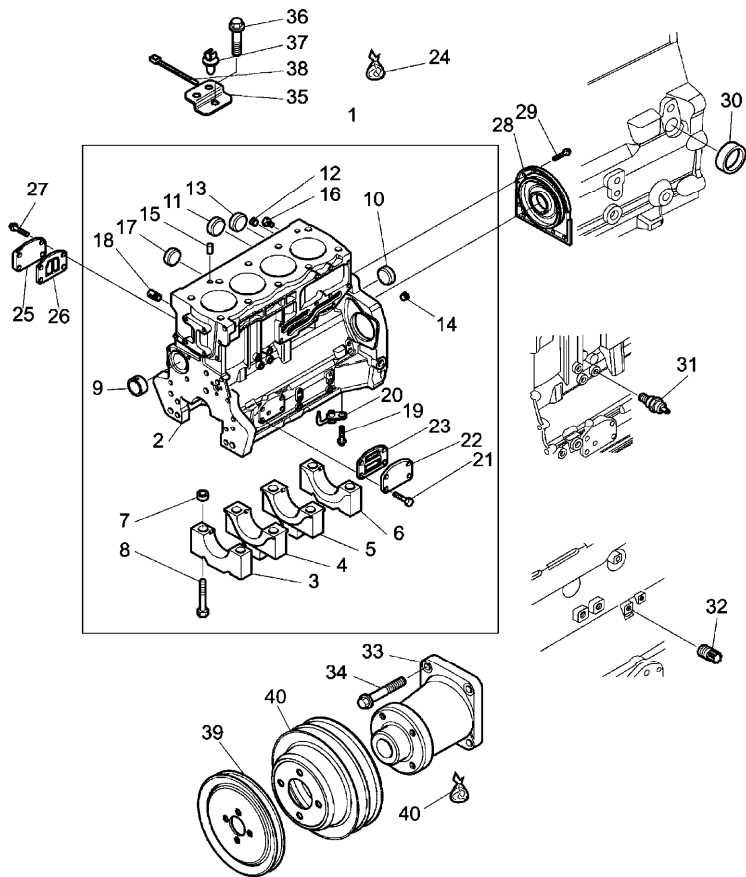
! This is a component of an assembly

Not serviced, order

Replacement

(X) Qty per tractors sold (aa.bbb.ccc.ddd) (aa) for 1,(bbb) 2-10 (ccc) 11-25 (ddd) 26-50

T-A Replacement



Engine

F/XL Techno Tier 2 (2003-2008) - RP52 - F105 F/GE/XL

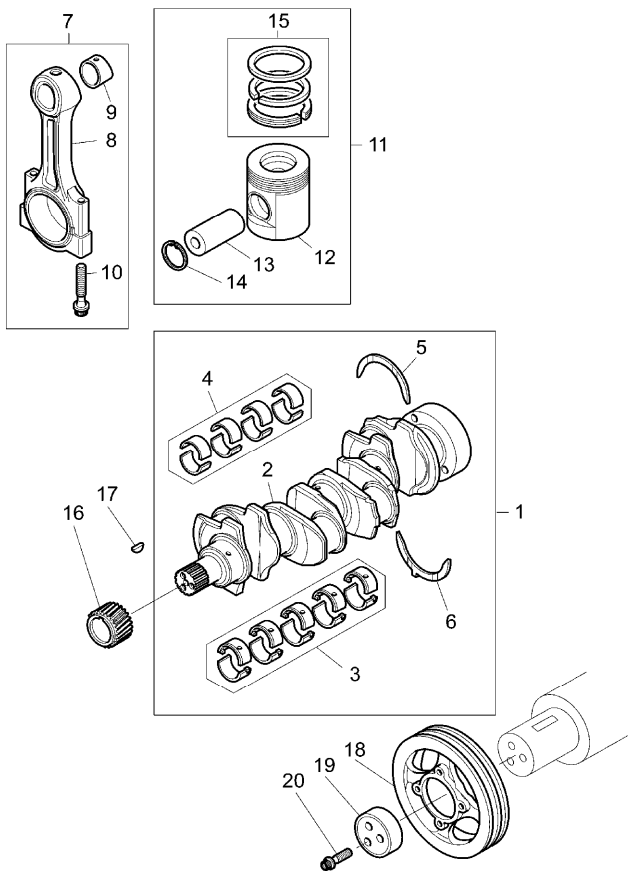
RP52\00010860.png

A-05  
03



A0503

Crankshaft, pistons and connecting rods



Inglese

1	ZZ90222	➔	U491476 t	1	Kit
		●	ZZ90239(1)		
		T-A	18:50		
1	ZZ90237	➔	U491477 t	1	Shaft
2		!	1	1	Crankshaft
		➔	Zz90222		
3	U5MB0018	!	1	1	Kit
		●	U5MB0033(1)		
		T-A	18:50		
3	U5MB0018A	!	1	1	Kit
		✂	(+)0.010"		
		●	U5MB0033A(1)		
		T-A	18:50		
3	U5MB0018B	!	1	1	Kit
		✂	(+)0.020"		
		●	U5MB0033B(1)		
		T-A	18:50		
3	U5MB0018C	!	1	1	Kit
		✂	(+)0.030"		
		●	N.L.A.(1)		
		T-A	18:50		
4	U5ME0013	!	1	1	Kit
		●	U5ME0034(1)		
		T-A	18:50		

Engine

F/XL Techno Tier 2 (2003-2008) - RP52 - F105 F/GE/XL

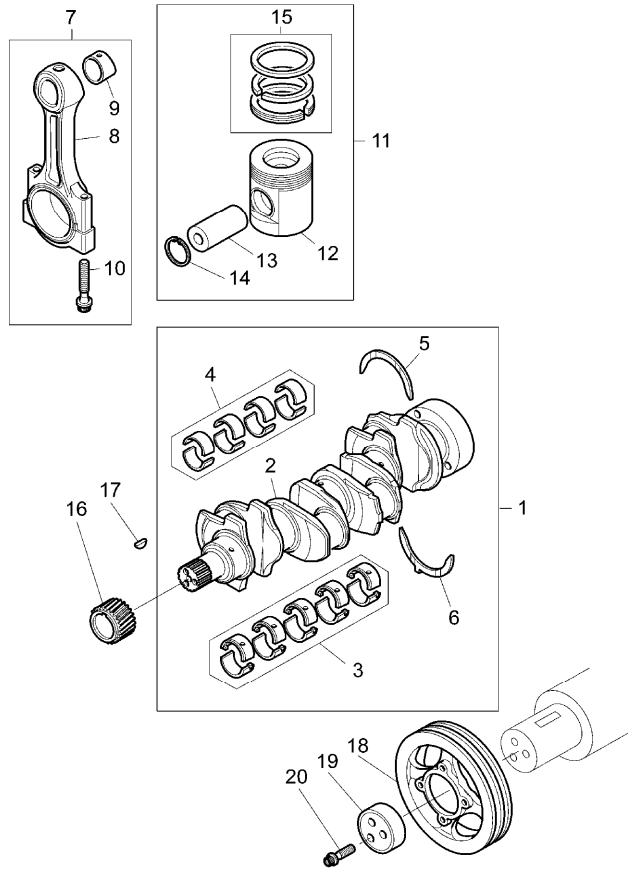
RP52\00010860.png

A-05  
03



A0503

Crankshaft, pistons and connecting rods



Inglese

4	U5ME0013A	!	1	1 Kit
		⚡	(+)0.010"	
		●	U5ME0034A(1)	
		T-A	18:50	
4	U5ME0013B	!	1	1 Kit
		⚡	(+)0.020"	
		●	U5ME0034B(1)	
		T-A	18:50	
4	U5ME0013C	!	1	1 Kit
		⚡	(+)0.030"	
		●	U5ME0034C(1)	
		T-A	18:50	
5	31137312	!	1	2 Ring
		⚡	(+)0.007"	
		T-A	18:50	
5	31137551	!	1	2 Washer
		T-A	18:50	
6	31137322	!	1	2 Ring
		⚡	(+)0.007"	
		T-A	18:50	
6	31137561	!	1	2 Washer
		T-A	18:50	
7	4115C311	➡	U491477 t	4 Kit
		B		
		T-A	17:0	

Engine

F/XL Techno Tier 2 (2003-2008) - RP52 - F105 F/GE/XL

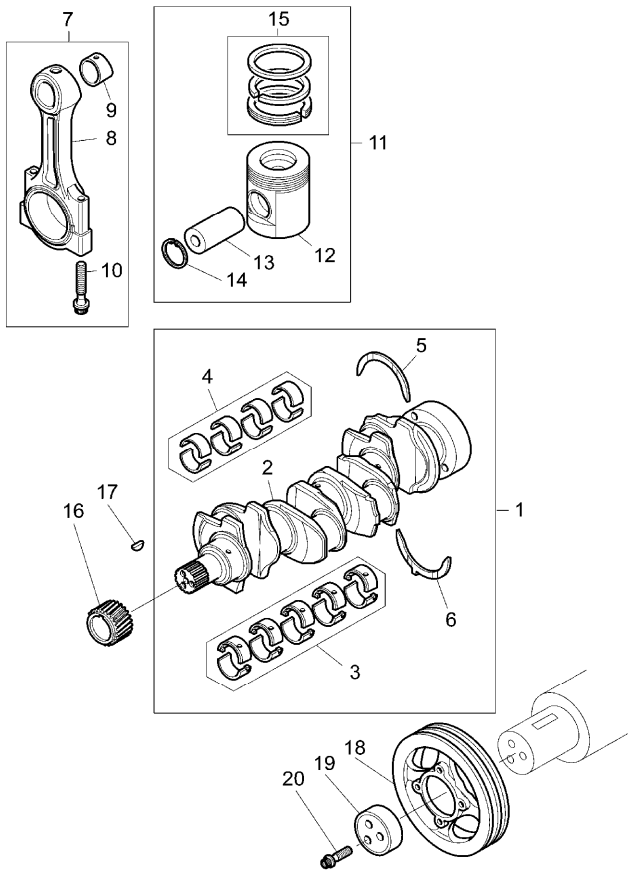
RP52\00010860.png

A-05  
03



A0503

Crankshaft, pistons and connecting rods



		Inglese	
7	4115C312	➡ U491477 t	4 Kit
		C	
		T-A 17:0	
7	4115C313	➡ U491477 t	4 Kit
		D	
		T-A 17:0	
7	4115C314	➡ U491477 t	4 Kit
		E	
		T-A 17:0	
7	4115C315	➡ U491477 t	4 Kit
		F	
		T-A 17:0	
7	4115C316	➡ U491477 t	4 Kit
		G	
		T-A 17:0	
7	4115C361	➡ U491478 t	4 Conrod
		B	
7	4115C362	➡ U491478 t	4 Conrod
		C	
7	4115C363	➡ U491478 t	4 Conrod
		D	
7	4115C364	➡ U491478 t	4 Conrod
		E	
7	4115C365	➡ U491478 t	4 Conrod
		F	

Engine

F/XL Techno Tier 2 (2003-2008) - RP52 - F105 F/GE/XL

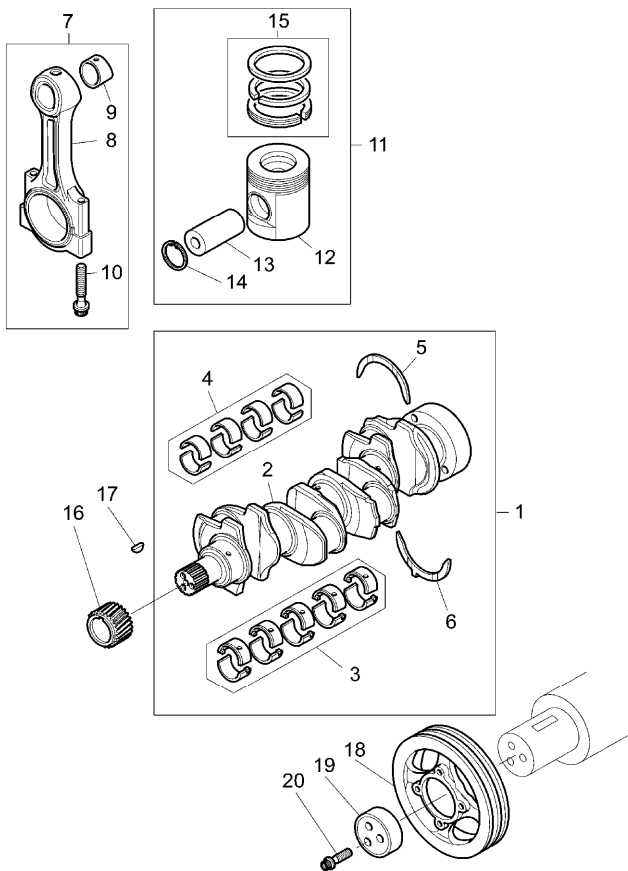
RP52\00010860.png

A-05  
03



A0503

Crankshaft, pistons and connecting rods



Inglese

7	4115C365	➔	U491478 t	4	Conrod
			G		
8		!	7	1	Conrod
		➔	Ref.n.7		
9	3112A005	!	7	1	Bush
10	3212V003	!	7	2	Screw
11	4115P015	T-A	17:0	4	Kit
12		!	11	1	Piston
		➔	4115p015		
13		!	11	1	Pin
		➔	4115p015		
14	2721332	!	11	2	Ring
15	UPRK0002	!	11	1	Kit
		(X)	0.2.4.		
		T-A	17:0		
16	3117C221	T-A	13:0	1	Gear
17	0500012	T-A	13:0	1	Key
18	3115T051	T-A	2:0	1	Pulley
19	3241N001	T-A	2:0	1	Block
20	32186137			3	Screw

- ! This is a component of an assembly
- ➔ From serial or engine number
- ➔ Up to serial or engine number
- ➔ Not serviced, order
- ⚡ Shim
- Replacement

(X) Qty per tractors sold (aa.bbb.ccc.ddd) (aa) for 1,(bbb) 2-10 (ccc) 11-25 (ddd) 26-50

Engine

A-05  
03

Crankshaft, pistons and connecting rods

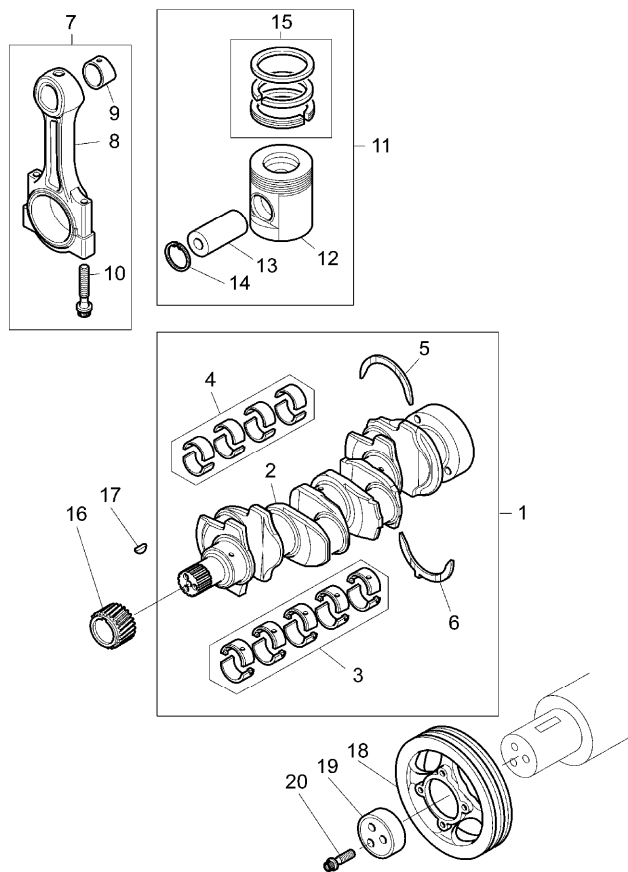
F/XL Techno Tier 2 (2003-2008) - RP52 - F105 F/GE/XL



A0503

RP52\00010860.png

- T-A Replacement
- B Red
- C Orange
- D White
- E Green
- F Purple
- G Blue



Engine

F/XL Techno Tier 2 (2003-2008) - RP52 - F105 F/GE/XL

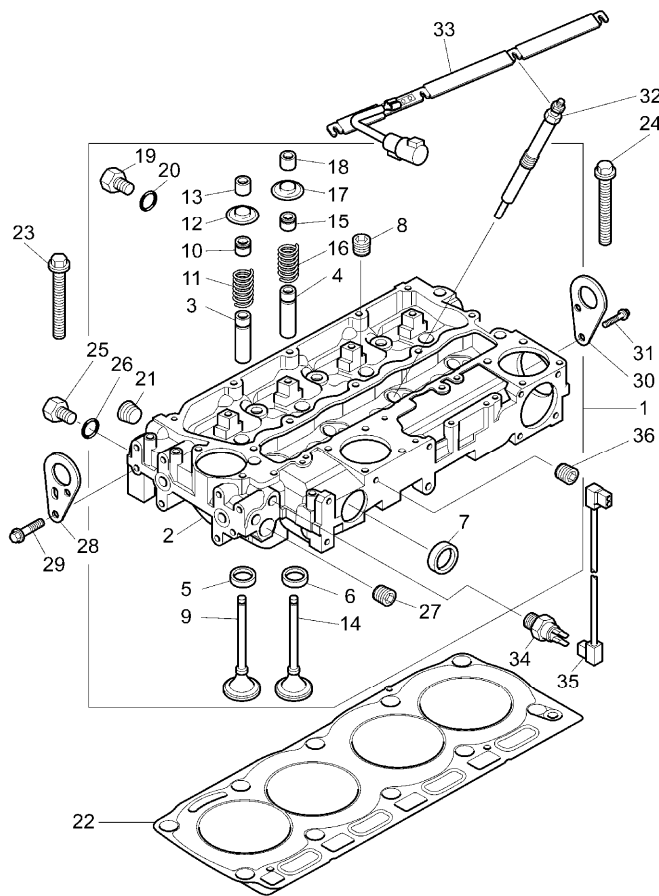
RP52\00010917.png

A-05  
04



A0504

Cylinder head



Inglese

1	ZZ80268	T-A 4:0	1 Kit
		T-B 7:0	
2	➡ Zz80268	!	1 Cylinder head
		!	
3	3313E021	!	4 Guide
		● 3313A012(4)	
		T-A 7:50	
4	3313E021	!	4 Guide
		● 3313A012(4)	
		T-A 7:50	
5	3314A151	!	4 Insert
		● 3314A241(4)	
		T-A 7:50	
6	3314A161	!	4 Insert
		● 3314A231(4)	
		T-A 7:50	
7	32416117	!	2 Plug
		T-A 1:0	
8	0650588	!	4 Plug
		T-A 0:50	
9	3142H071	!	4 Valve
		T-A 7:50	
10	2418M514	!	4 Ring
		● N.L.S.(4)	
		T-A 3:0	

Engine

F/XL Techno Tier 2 (2003-2008) - RP52 - F105 F/GE/XL

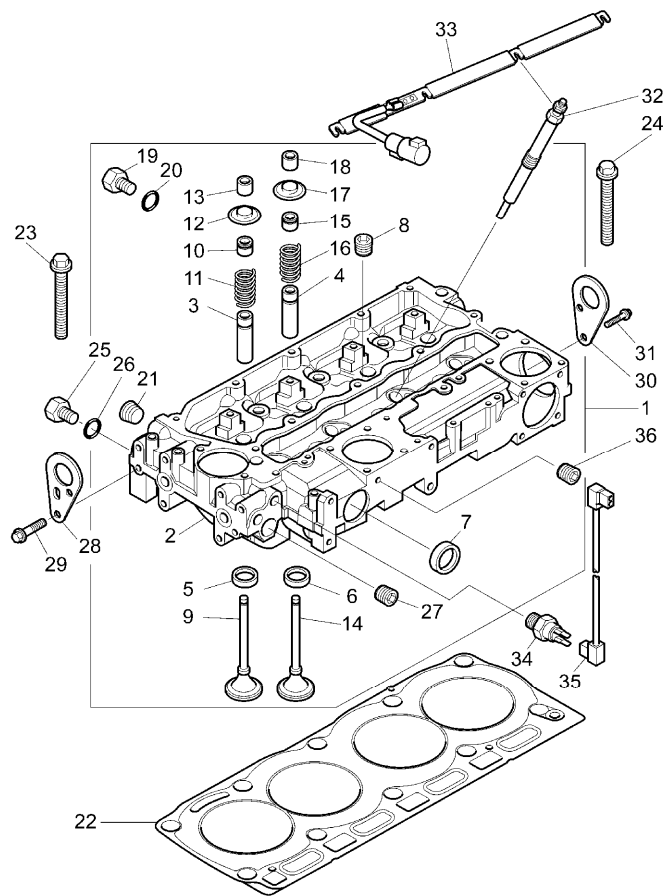
A-05  
04



A0504

Cylinder head

RP52\00010917.png



			Inglese
11	3174A016	! 1	4 Spring
		T-A 3:0	
12	3342A011	! 1	4 Cover
		T-A 3:0	
13	3142W004	! 1	8 Cotter
		T-A 3:0	
14	3142A151	! 1	4 Valve
		T-A 7:50	
15	2418M514	! 1	4 Ring
		● N.L.S.(4)	
		T-A 3:0	
16	3174A016	! 1	4 Spring
		T-A 3:0	
17	3342A011	! 1	4 Cover
		T-A 3:0	
18	3142W004	! 1	8 Cotter
		T-A 3:0	
19	3278A006	! 1	1 Plug
20	2415H003	! 1	1 Ring
21	2431154		1 Plug
22	3681E046	● 3681E051(1)	1 Gasket
		(X)	
		T-A 4:0	
23	3218A011		7 Screw
24	3218A012		3 Screw
25	3278A006		1 Plug

Engine

F/XL Techno Tier 2 (2003-2008) - RP52 - F105 F/GE/XL

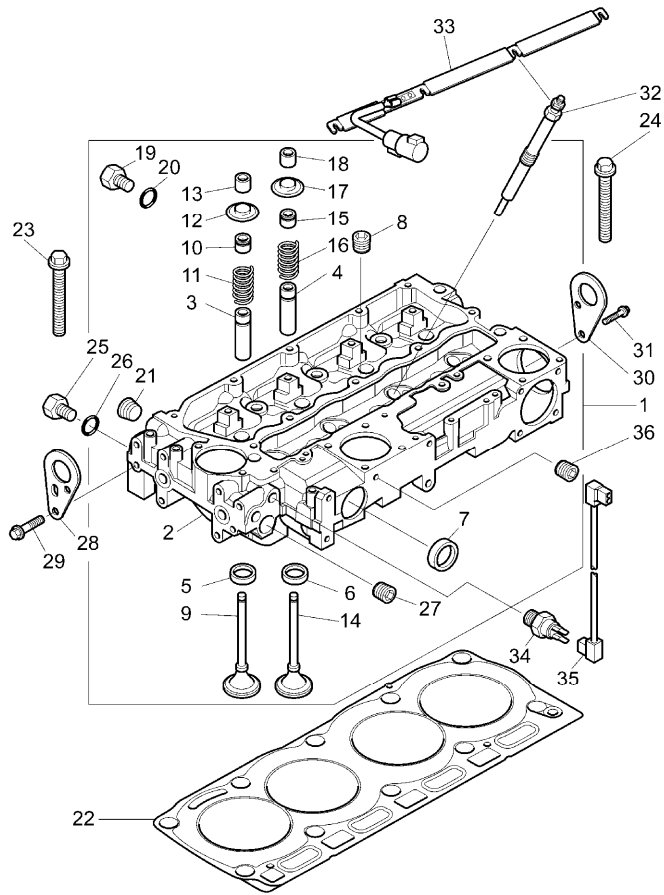
RP52\00010917.png

A-05  
04



A0504

Cylinder head



Inglese

- |    |          |              |   |            |
|----|----------|--------------|---|------------|
| 26 | 2415H003 |              | 1 | Ring       |
| 27 | 2431154  |              | 1 | Plug       |
| 28 | 3617A015 |              | 1 | Stirrup    |
| 29 | 2314J002 |              | 2 | Screw      |
| 30 | 3647A007 |              | 1 | Stirrup    |
| 31 | 2314J002 |              | 2 | Screw      |
| 32 | 2666A016 | T-A 0:75     | 4 | Spark plug |
| 33 | 3161C015 | ● T409642(1) | 1 | Bar        |
| 34 | 2848A127 | A            | 1 | Sensor     |
|    |          | T-A 0:25     |   |            |
| 35 | 3161C017 | T-A 0:25     | 1 | Cable      |
| 36 | 2431131  | ● 0650594(1) | 1 | Plug       |
- ! This is a component of an assembly
- ➡ Not serviced, order
- Replacement
- (X) Qty per tractors sold (aa.bbb.ccc.ddd) (aa) for 1,(bbb) 2-10 (ccc) 11-25 (ddd) 26-50
- T-A Replacement
- T-B Overhaul
- A Water temperature

Engine

F/XL Techno Tier 2 (2003-2008) - RP52 - F105 F/GE/XL

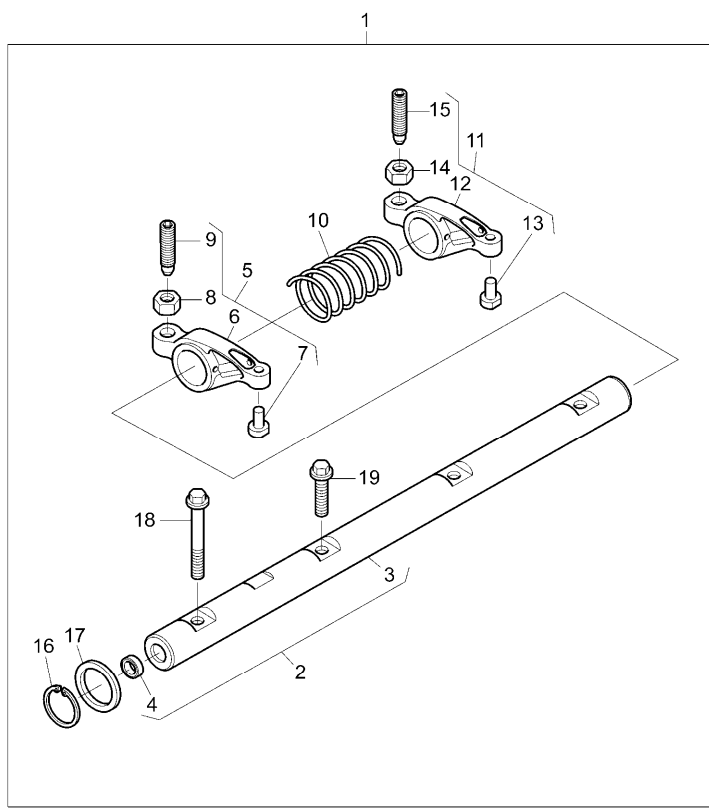
RP52\00010861.png

A-05  
05



A0505

Rocker shaft



				Inglese
1	4115R612	T-A 4:0		1 Rocker
2	4115R703	! 1		1 Shaft
		T-A 4:0		
3		! 2		1 Shaft
		➡ 4115r703		
4	2485A104	! 2		2 Plug
		T-A 4:0		
5	4115R314	T-A 4:0		4 Rocker
6		! 5		1 Arm
		➡ 4115r314		
7		! 5		1 Shim
		➡ 4112r314		
8	0576052	! 5		1 Nut
9	32114145	! 5		1 Screw
10	3174A015	! 1		3 Spring
		T-A 4:0		
11	4115R315	! 1		4 Rocker
		T-A 4:0		
12		! 11		1 Arm
		➡ 4115r315		
13		! 11		1 Shim
		➡ 4115r315		
14	0576052	! 11		1 Nut
15	32114145	! 11		1 Screw
		T-A 1:25		
16	2722A022	! 1		2 Ring

Engine

F/XL Techno Tier 2 (2003-2008) - RP52 - F105 F/GE/XL

RP52\00010861.png

A-05  
05



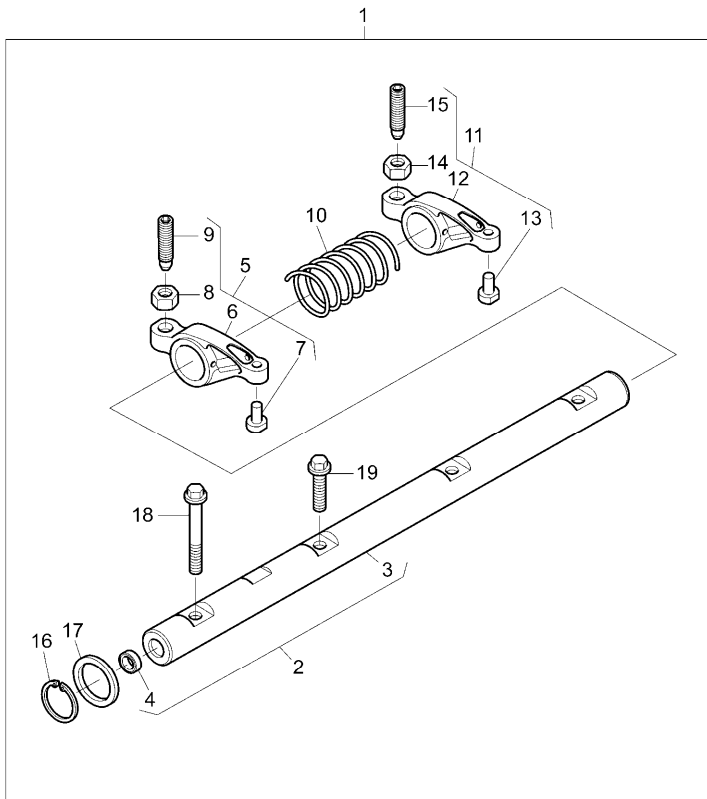
A0505

Rocker shaft

Inglese

17	2134A502	!	1	2	Washer
		T-A	4:0		
18	2316A901	!	1	1	Screw
19	2316A902	!	1	3	Screw

- ! This is a component of an assembly
- 🔧 Not serviced, order
- T-A Replacement



Engine

A-05  
06

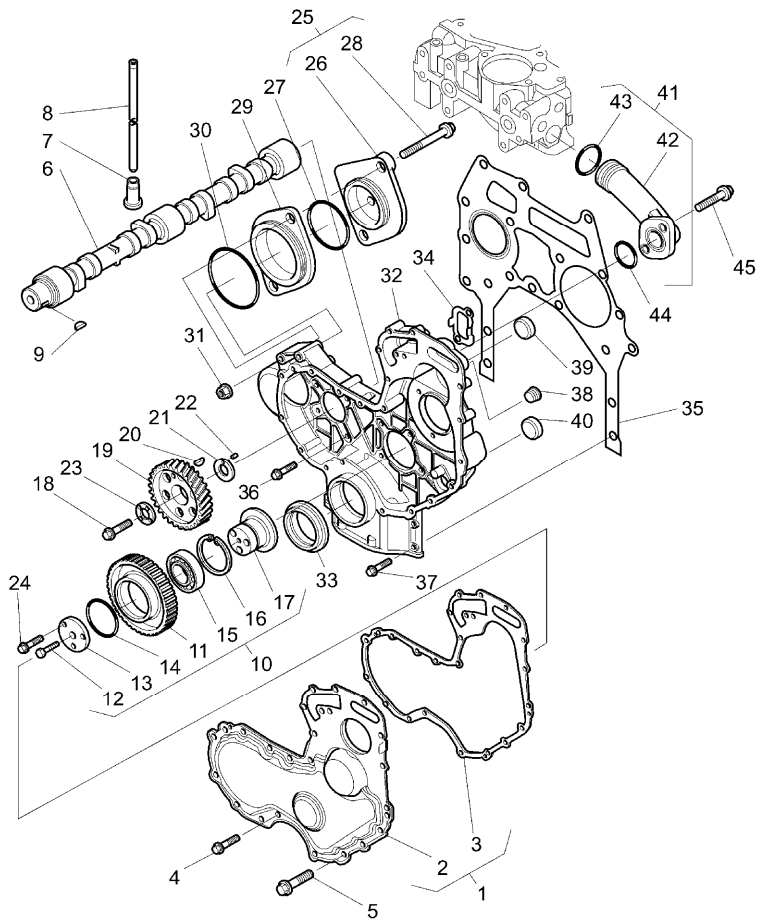
Timing gear and camshaft

F/XL Techno Tier 2 (2003-2008) - RP52 - F105 F/GE/XL



A0506

RP52\00010862.png



		Inglese	
1	4142A501	● 4142A503(1) T-A 4:50	1 Kit
2		➤ 4142a501 ! 1	1 Overlay
3	3681P046	! 1 (X) 1.3.5. T-A 4:50	1 Gasket
4	2314H002		9 Screw
5	2314H012		5 Screw
6	3141D221	● 4112K043(1) T-A 14:0	1 Shaft
7	3142U031	● 3142U991(8) T-A 14:25	8 Tappet
8	31434307	T-A 2:75	8 Rod
9	0500012		1 Key
10	4111A028	● 4111A048(1) T-A 4:75	1 Gear
11		! 10 ➤ 4111a028	1 Gear
12	2314C037	! 10	1 Screw
13	3241A013	! 10 T-A 4:75	1 Disc
14	2559A001	! 10 T-A 4:75	2 Washer
15	2558A501	! 10 T-A 4:75	1 Cuscinet

Engine

F/XL Techno Tier 2 (2003-2008) - RP52 - F105 F/GE/XL

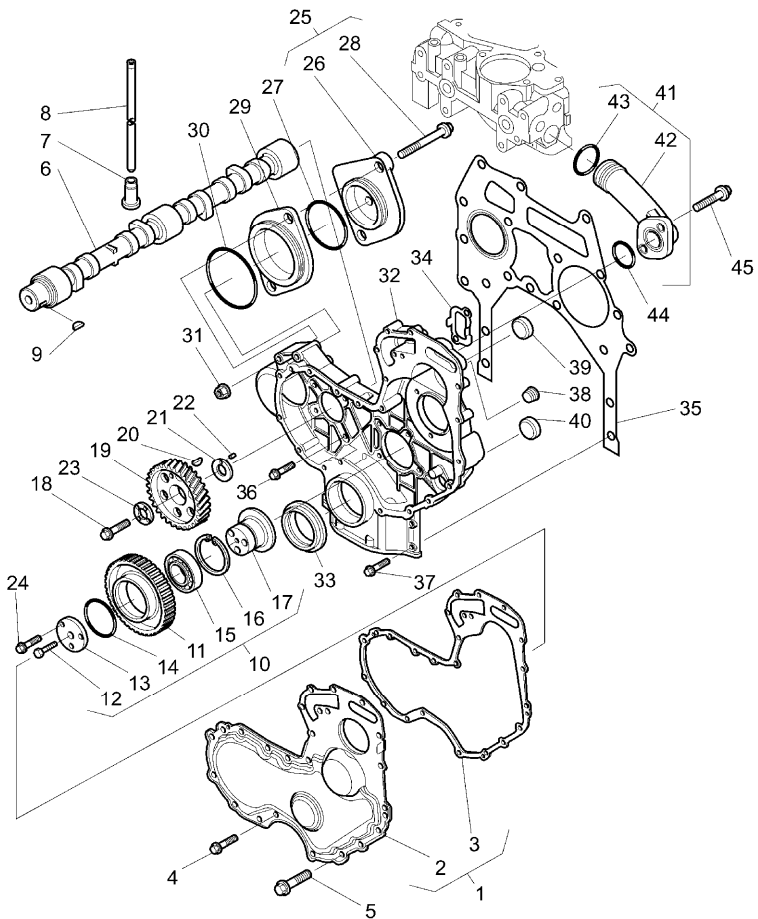
RP52\00010862.png

A-05  
06



A0506

Timing gear and camshaft



		Inglese	
16	2721B064	!	2 Ring
		T-A 4:75	
17	3272A015	!	1 Hub
		T-A 4:75	
18	2314J606		1 Screw
19	3117L271	●	1 Gear
		T-A 4:75	
20	0500012		1 Key
21	3321A003	T-A 4:75	1 Washer
22	2116053		1 Pin
23	3327A003	●	1 Washer
		T-A 4:75	
24	2314J012		3 Screw
25	4148K012	T-A 4:75	1 Plate
26		!	1 Plate
		➡ 4148k012	
27	2415H510	!	1 Ring
		● 2415H515(1)	
		T-A 4:75	
28	2314J014		2 Screw
29	3617A021	T-A 4:75	1 Disc
30	2415A063	●	1 Ring
		T-A 4:75	
31	2318A604		2 Nut
32	3716C481	T-A 4:75	1 Housing

Engine

F/XL Techno Tier 2 (2003-2008) - RP52 - F105 F/GE/XL

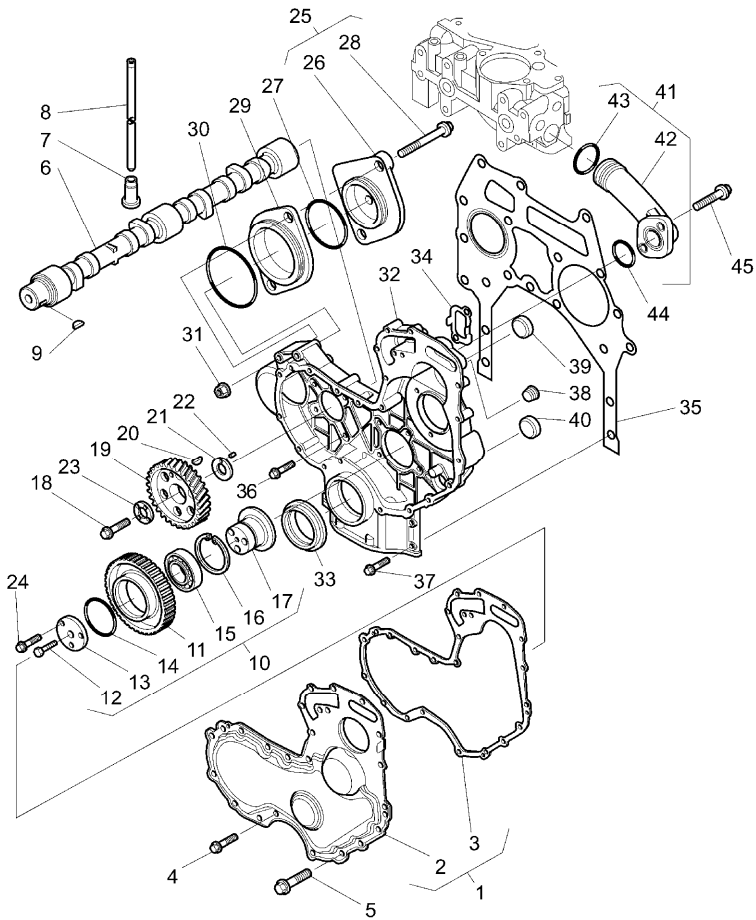
RP52\00010862.png

A-05  
06



A0506

Timing gear and camshaft



		Inglese	
33	2418F553	● 2418F437(1) (X) T-A 4:75	1 Ring
34	3617V016	● 3681P053(1) T-A 4:75	1 Gasket
35	3617V015	● 3681P053(1) T-A 4:75	1 Gasket
36	2314H003		8 Screw
37	2314H034		4 Screw
38	2431154		1 Plug
39	2485A124		1 Plug
40	2485A118		1 Plug
41	4133L048	T-A 4:75	1 Connection
42	!	41 ▶ 4133I048	1 Connection
43	2418F002	! 41 T-A 4:75	1 Ring
44	2418F001	! 41 T-A 4:75	1 Ring
45	2314H003		2 Screw
!	This is a component of an assembly		
▶	Not serviced, order		
●	Replacement		
(X)	Qty per tractors sold (aa.bbb.ccc.ddd) (aa) for 1,(bbb) 2-10 (ccc) 11-25 (ddd) 26-50		
T-A	Replacement		

Engine

F/XL Techno Tier 2 (2003-2008) - RP52 - F105 F/GE/XL

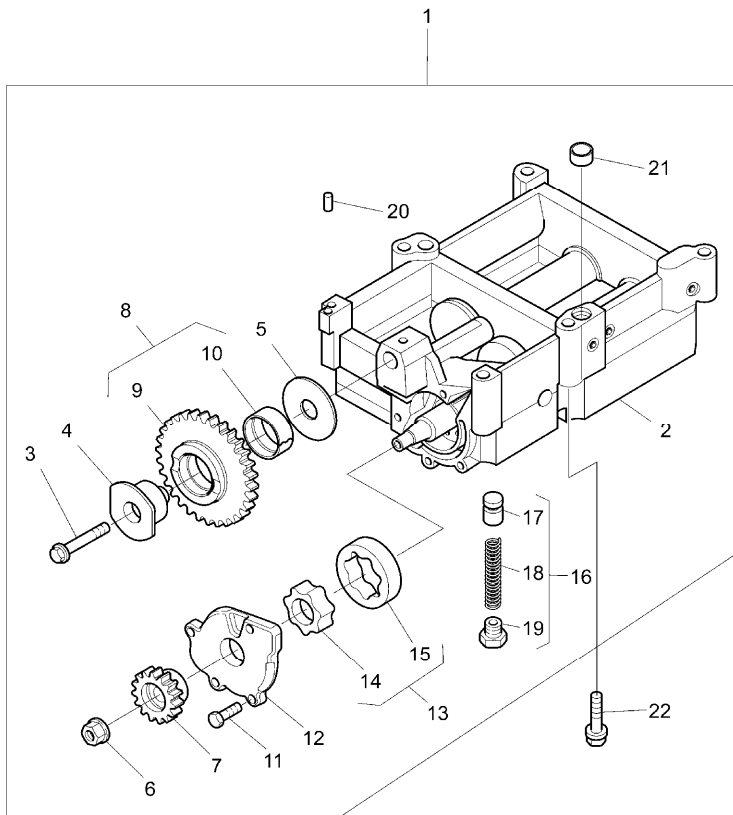
RP52\00010863.png

A-05  
07



A0507

Oil pump



		Inglese	
1	4111K073	T-A 4:0 T-B 5:0	1 Balancer
2	!	1	1 Frame
	➡	4111k073	
3	2314H951	!	1 Screw
4	3272A018	!	1 Shaft
	●	3272A022(1)	
5	3321A006	T-A 5:0	1 Washer
6	2318F605	!	1 Nut
7	3117A101	!	1 Gear
8	4111A029	T-A 5:0	1 Gear
9	!	8	1 Gear
	➡	4111a029	
10	3112D031	!	1 Cuscinet
	●	N.L.A.(1)	
11	2314C945	T-A 5:0	5 Screw
12	3753R351	!	1 Cover
	T-A 5:0		
13	4111K068	!	1 Rotor
	T-A 5:0		

Engine

F/XL Techno Tier 2 (2003-2008) - RP52 - F105 F/GE/XL

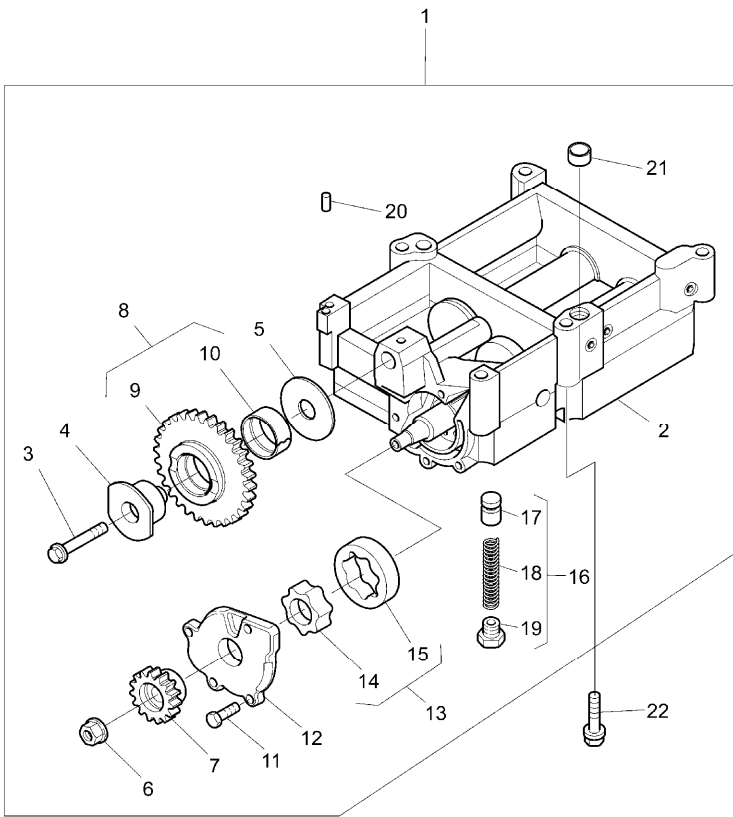
RP52\00010863.png

A-05  
07



A0507

Oil pump



		Inglese	
14	!	13	1 Rotor
	➡	4111k068	
15	!	13	1 Rotor
	➡	4111k068	
16	U5MK0695	!	1 Valve
	T-A	5:0	
17	3245A002	!	1 Contact
	T-A	5:0	
18	3174A021	!	1 Spring
	T-A	5:0	
19	3218A013	!	1 Plug
20	3244A013	!	1 Dowel
21	33137409	!	1 Thimble
22	2314J012		6 Screw
!			
! This is a component of an assembly			
➡ Not serviced, order			
● Replacement			
T-A Replacement			
T-B Overhaul			

Engine

**A-05  
08**

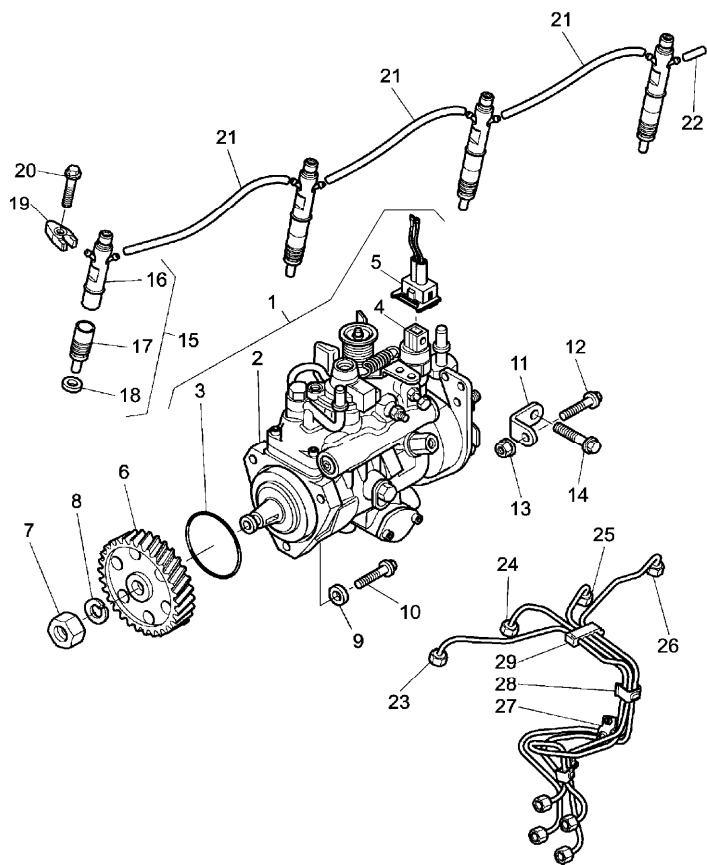
Fuel injection equipment (diesel)

F/XL Techno Tier 2 (2003-2008) - RP52 - F105 F/GE/XL



A0508

RP52\000014759.png



		Inglese	
1	2644H005	● 0206002(1), 0566(1), 2644H024/22(1), 3611A011(1), 4121A063(1), 4121A064(1), 065(1)	1 Pump
2		! 1	1 Pump
3	26420318	➡ Ref.n.1 ! 1	1 Ring
4	26420469	T-A 4:50 ! 1 (X) 1.3.5. T-A 0:25	1 Solenoid
5	3161C012	! 1	1 Kit
6	3117L261	T-A 4:50	1 Gear
7	2318A108		1 Nut
8	K134AF01		1 Washer
9	2411D008		3 Washer
10	2314H004		3 Screw
11	3641A007		1 Stirrup
12	2314H003		1 Screw
13	2318A603		1 Nut
14	2314J002		1 Screw
15	2645K011	T-A 2:0	4 Atomiser
16		! 15 ➡ Ref.n.15	1 Support

Engine

F/XL Techno Tier 2 (2003-2008) - RP52 - F105 F/GE/XL

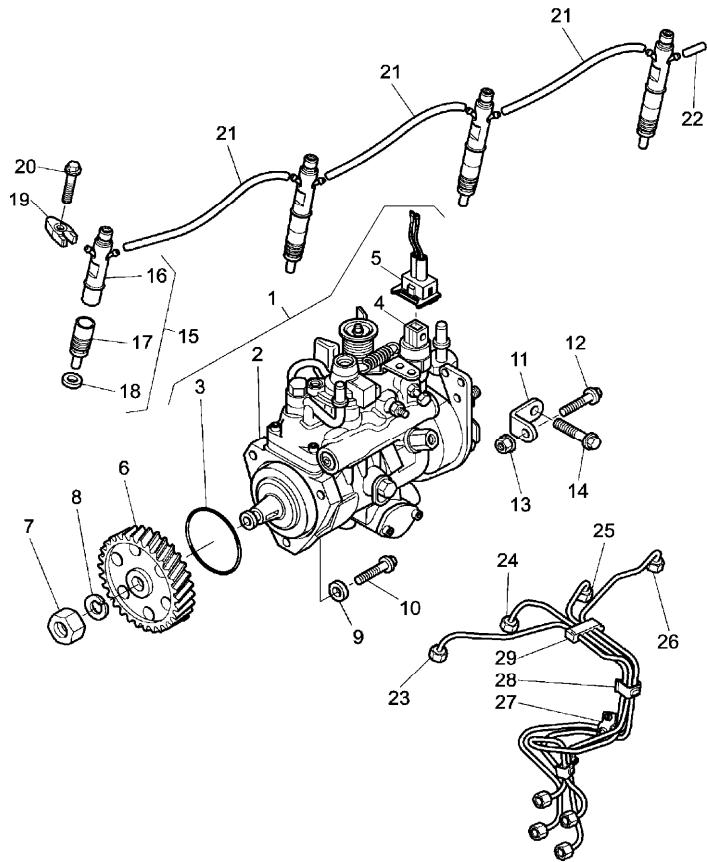
RP52\000014759.png

**A-05  
08**



A0508

Fuel injection equipment (diesel)



			Inglese
17	2645K611	! 15 (X) 1.3.8.1 T-A 2:0	1 Nozzle
18	L311FF02	! 15	1 Washer
19	3751A241	T-A 2:0	4 Clamp
20	2314W009		4 Screw
21	2646F501	T-A 0:25	3 Pipe
22	2646E501	T-A 0:25	1 Cap
23	3525A101	T-A 0:25	1 Pipe
24	3525A102	T-A 0:25	1 Pipe
25	3525A103	T-A 0:25	1 Pipe
26	3525A104	T-A 0:25	1 Pipe
27	2481Y011		1 Clip
28	2481Y012		1 Clip
29	2646E019		1 Clip
! This is a component of an assembly			
☞ Not serviced, order			
● Replacement			
(X) Qty per tractors sold (aa.bbb.ccc.ddd) (aa) for 1,(bbb) 2-10 (ccc) 11-25 (ddd) 26-50			
T-A Replacement			

Engine

F/XL Techno Tier 2 (2003-2008) - RP52 - F105 F/GE/XL

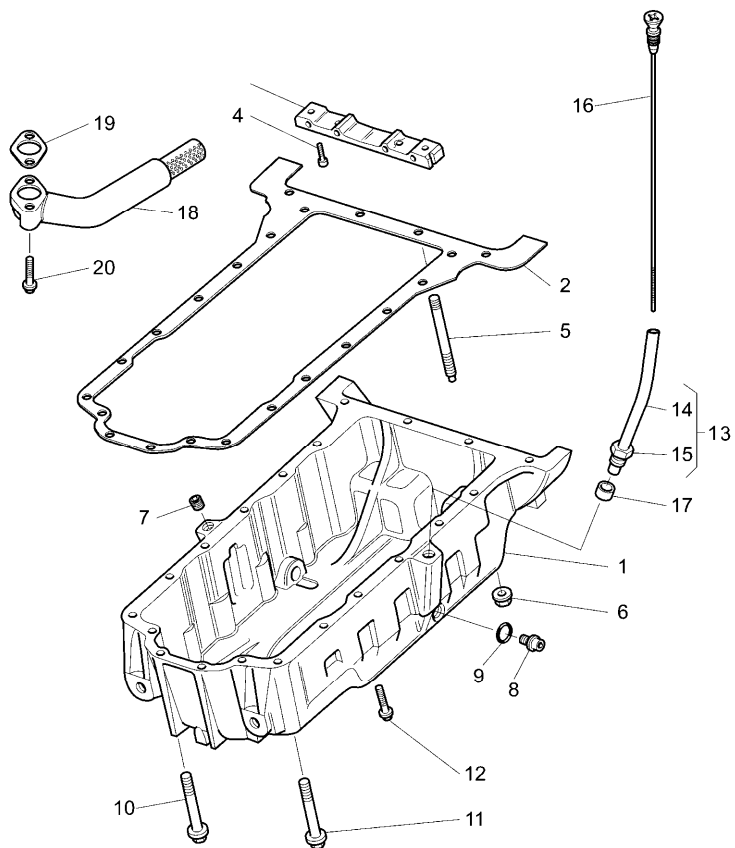
RP52\00010865.png

A-05  
09



A0509

Lubricating oil sump



1	3717E271	T-A	2:0
2	3681K036	(X)	1.3.5.
		T-A	2:0
3	3627P041	T-A	2:0
4	2311D039		
5	3211P013		
6	2318A603		
7	2431A016		
8	32186405		
9	2415715		
10	2314H023		
11	2314H022	●	2314H052(1)
12	2314H015		
13	3577A125	T-A	0:25
14		!	13
		▣	3577a125
15	3353D005	!	13
16	3178C081	(X)	0.1.3.
		T-A	0:25
17	33812116	T-A	0:25
18	3765A091	T-A	2:25
19	36832137	T-A	2:25
20	2314H006		

Inglese

1	Crankcase
1	Gasket
1	Crosspiece
2	Screw
2	Stud
2	Nut
1	Plug
2	Plug
2	Ring
5	Screw
1	Screw
12	Screw
1	Pipe
1	Pipe
1	Nut
1	Rod
1	Olive
1	Pipe
1	Gasket
2	Screw

! This is a component of an assembly  
 ▣ Not serviced, order

Engine

F/XL Techno Tier 2 (2003-2008) - RP52 - F105 F/GE/XL

RP52\00010865.png

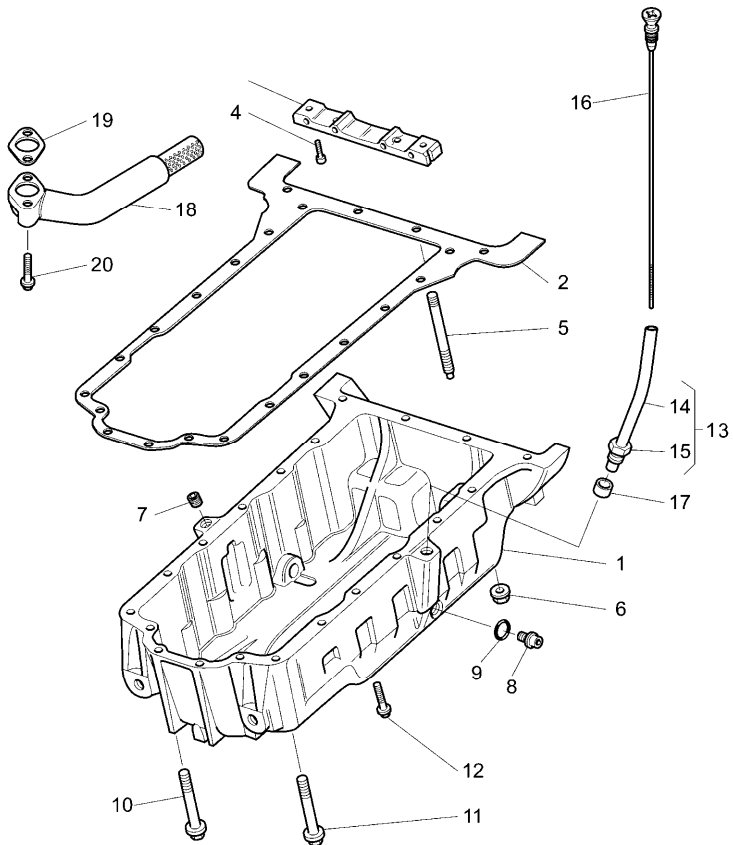
A-05  
09



A0509

Lubricating oil sump

- Replacement
- (X) Qty per tractors sold (aa.bbb.ccc.ddd) (aa) for 1,(bbb) 2-10 (ccc) 11-25 (ddd) 26-50
- T-A Replacement



Engine

F/XL Techno Tier 2 (2003-2008) - RP52 - F105 F/GE/XL

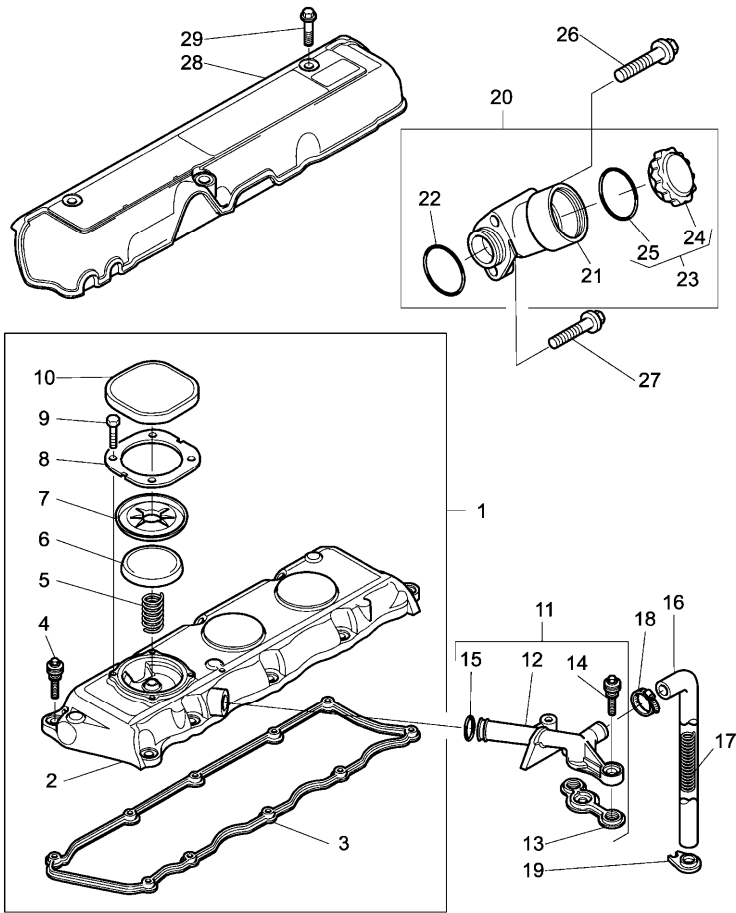
RP52\00010866.png

**A-05**  
**10**



A0510

Lubricating oil filler and breather



		Inglese	
1	4142X291	● T417513(1) T-A 1:0	1 Cover
2		! 1	1 Cover
3	3681A055	➡ 4142x291 ! 1 (X) 0.2.4. T-A 1:0	1 Gasket
4	2161A011	! 1	10 Screw
5	3174A017	● 2161A013(10) ! 1 T-A 0:50	1 Spring
6	3788A002	! 1 T-A 0:25	1 Cap
7	3789A001	! 1 T-A 0:25	1 Diaphragm
8	3615A009	! 1 T-A 0:25	1 Plate
9	2151A001	! 1	4 Screw
10	3788A003	! 1 T-A 0:25	1 Cap
11	4134K015	● 2314F005(2), 4134K022(1) T-A 0:50	1 Pipe
12		! 11 ➡ 4134k015	1 Pipe



**Suggest:**

**For more complete manuals. Please go to the home page.**

**<https://www.ebooklibonline.com>**

**If the above button click is invalid. Please download this document first, and then click the above link to download the complete manual.**

**Thank you so much for reading**

Engine

F/XL Techno Tier 2 (2003-2008) - RP52 - F105 F/GE/XL

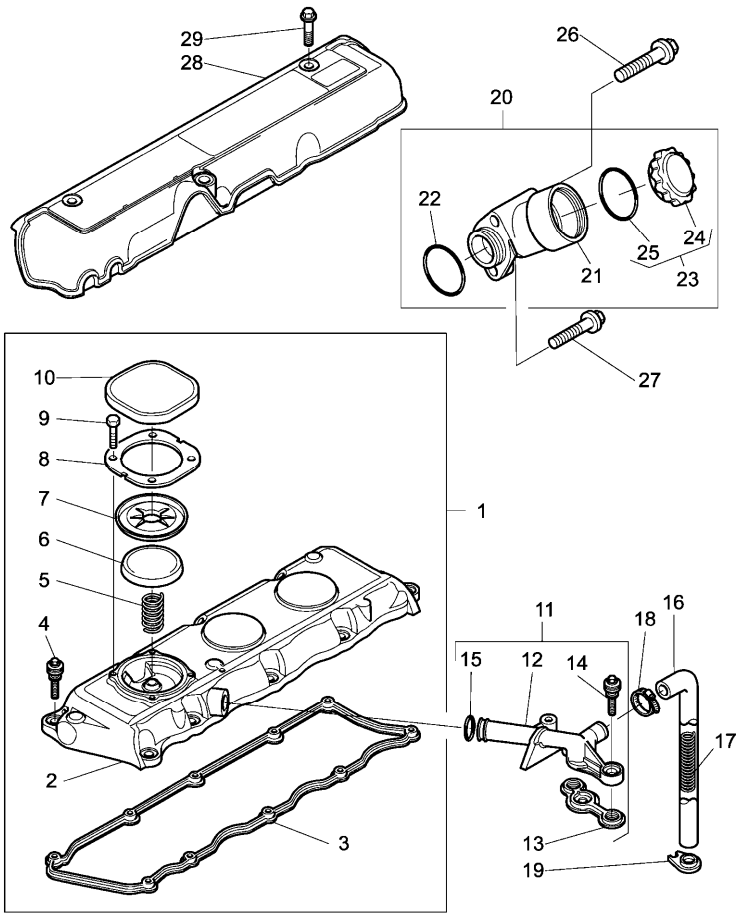
RP52\00010866.png

**A-05**  
**10**



A0510

Lubricating oil filler and breather



		Inglese		
13	3688A038	!	11	1 Ring
		T-A	0:50	
14	2161A011	!	11	2 Screw
		●	2161A013(2)	
15	2415A068	!	11	1 Ring
		T-A	0:50	
16	33872632	T-A	0:25	1 Pipe
17	3175P003			1 Nut
18	2481877			1 Clamp
19	36241123	T-A	0:25	1 Support
20	4134C043	●	4134C072(1)	1 Filler
21		!	20	1 Body
		➡	4134c043	
22	2415B148	!	20	1 Ring
		T-A	0:25	
23	4142X098	!	20	1 Plug
		(X)	1.3.5.	
		T-A	0:25	
24		!	23	1 Plug
		➡	4142x098	
25	2415633	!	23	1 O ring
		T-A	0:25	
26	2314H011	●	2314K161(1)	1 Screw
27	2314H005			1 Screw

Engine

F/XL Techno Tier 2 (2003-2008) - RP52 - F105 F/GE/XL

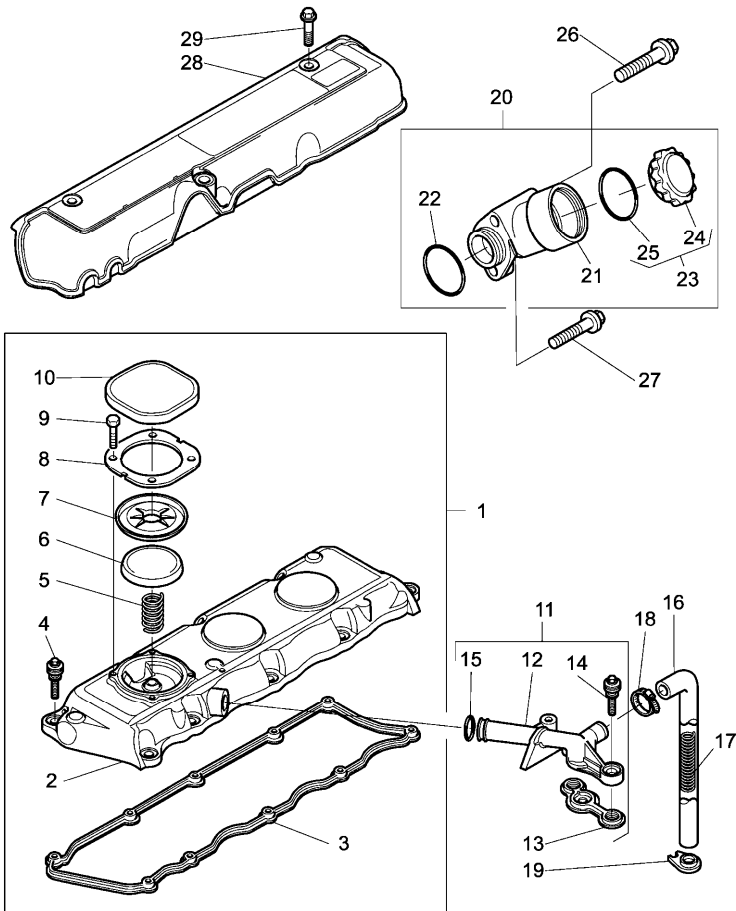
RP52\00010866.png

A-05  
10



A0510

Lubricating oil filler and breather



Inglese

- |    |          |     |  |   |       |
|----|----------|-----|--|---|-------|
| 28 | 3788N005 | ●   | 2314F003(3),<br>2481D456(1),<br>2646F009(1),<br>3653A017(1),<br>3788N003(1)          | 1 | Cover |
|    |          |     | T-A 0:50   |   |       |
| 29 | 2314F005 |     |  | 3 | Screw |
|    |          | !   | This is a component of an assembly   |   |       |
|    |          | ☞   | Not serviced, order  |   |       |
|    |          | ●   | Replacement  |   |       |
|    |          | (X) | Qty per tractors sold (aa.bbb.ccc.ddd) (aa) for 1,(bbb) 2-10 (ccc) 11-25 (ddd) 26-50 |   |       |
|    |          | T-A | Replacement  |   |       |

**<https://www.ebooklibonline.com>**

Hello dear friend!

Thank you very much for reading.

Enter the link into your browser.

The full manual is available for immediate download.

**<https://www.ebooklibonline.com>**