

Engine

F/XL Techno Tier 2 (2003-2008) - RP52 - F95 F/GE/XL

RP52\00005170.png

A-05
01



A0501

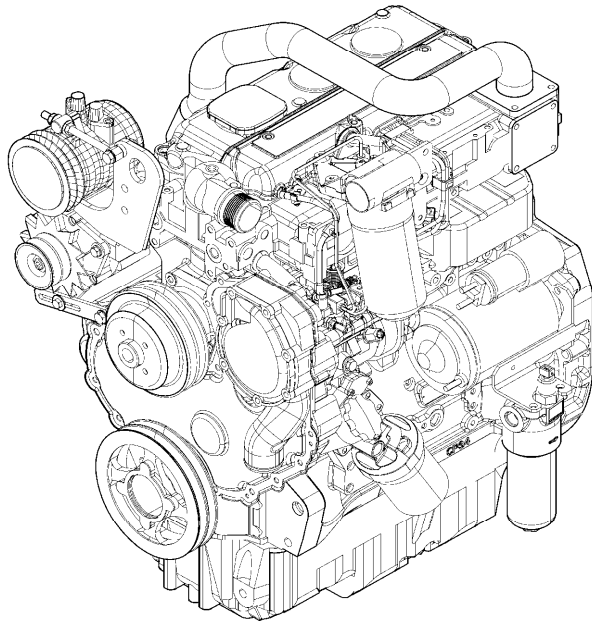
Engine assembly

Inglese

1 3670565M93 "perkins - rg37930 1 Engine
64.5 kw
T-A 10:50
T-B 30:50

T-A Replacement
T-B Overhaul

1



Engine

F/XL Techno Tier 2 (2003-2008) - RP52 - F95 F/GE/XL

RP52\00002787.png







A-05
011

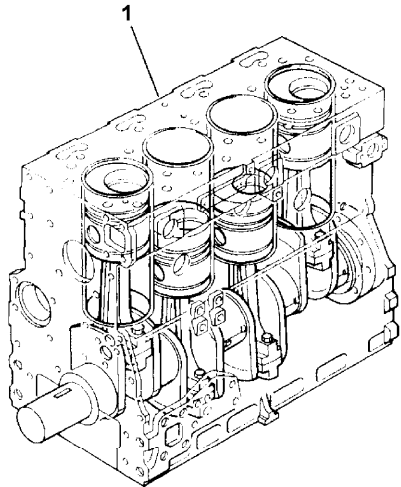


A05011

Short engine

Inglese

- 1 RG40001  U491476 t 1 Short engine
-  3115A141(1),
32186146(3), RG4
- T-A 0:30
- 1 RG40023  U491477 t 1 Short engine
-  From serial or engine number
-  Up to serial or engine number
-  Replacement
- T-A Replacement



Engine

A-05
02

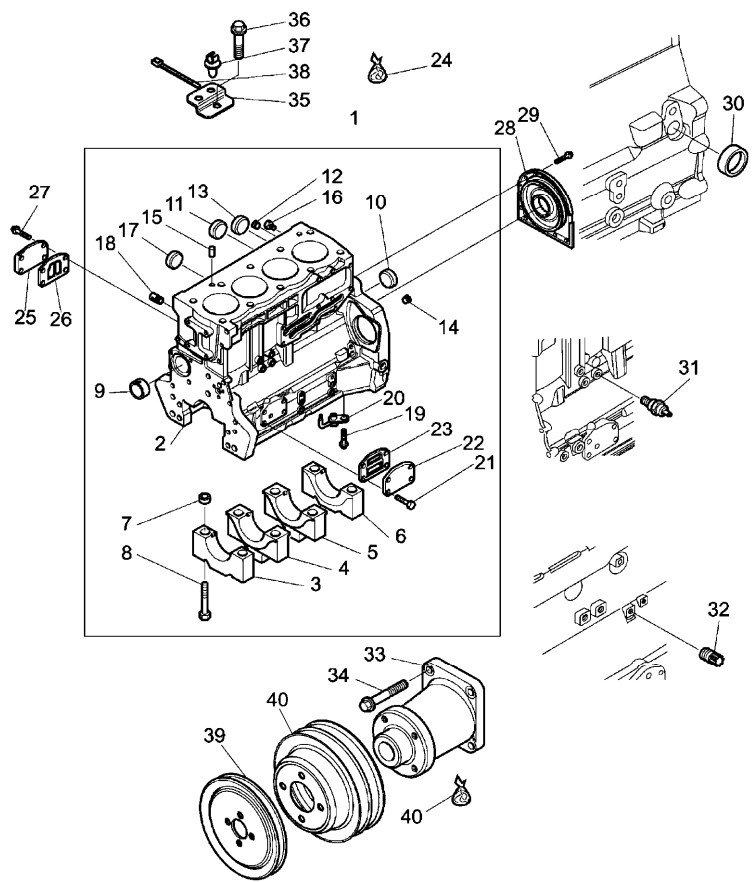
Cylinder block

F/XL Techno Tier 2 (2003-2008) - RP52 - F95 F/GE/XL



A0502

RP52\000014757.png



Inglese

1	ZZ50312	●	ZZ50325(1)	1	Kit
		T-A	30:50		
2		!	1	1	Block
		➡	Ref.n.1		
3		!	1	1	Cap
		➡	Ref.n.1		
4		!	1	2	Cap
		➡	Ref.n.1		
5		!	1	1	Cap
		➡	Ref.n.1		
6		!	1	1	Cap
		➡	Ref.n.1		
7	33142111	!	1	10	Manicott
8	32166329	!	1	10	Screw
9	3112D071	!	1	1	Bush
		●	3112D075(1)		
10	3241A012	!	1	1	Plug
11	3241A011	!	1	2	Plug
12	0650588	!	1	1	Plug
13	0650710	!	1	1	Plug
14	3212P008	!	1	1	Plug
15	3244A009	!	1	2	Dowel
16	32141316	!	1	2	Plug
17	2485A108	!	1	1	Plug
18	3212V006	!	1	1	Plug

<https://www.ebooklibonline.com>

Hello dear friend!

Thank you very much for reading.

Enter the link into your browser.

The full manual is available for immediate download.

<https://www.ebooklibonline.com>

Engine

F/XL Techno Tier 2 (2003-2008) - RP52 - F95 F/GE/XL

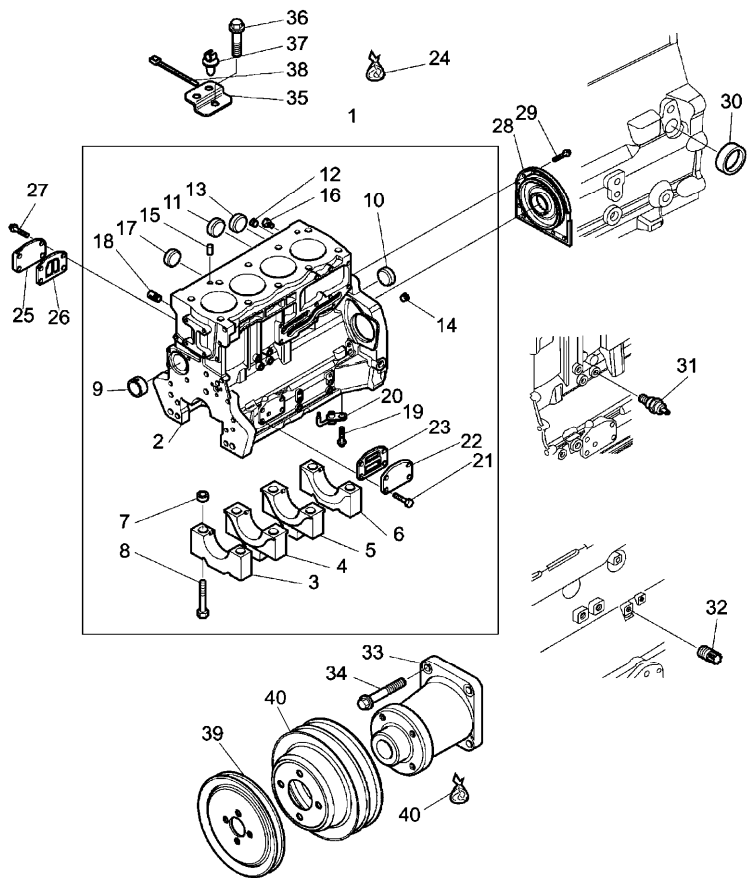
RP52\000014757.png

A-05
02



A0502

Cylinder block



		Inglese			
19	2314F001	!	1	4	Screw
20	2113A001	!	1	4	Atomiser
		●	2113A003(4)		
21	2314H033	!	1	4	Screw
22	3623A009	!	1	1	Plate
		T-A	0:50		
23	3688A039	!	1	1	Gasket
		T-A	0:50		
25	3753A081	T-A	0:50	1	Coperch.
26	3688A041	T-A	0:50	1	Ring
27	2314H034			4	Screw
28	2418F704	(X)	0.1.4.	1	Housing
		T-A	11:0		
29	3211C002			10	Screw
30	2485A109			1	Plug
31	2848062	●	4172E054(1)	1	Switch
		T-A	0:25		
32	3212V005			1	Plug
33	4113K005	T-A	2:0	1	Housing
34	2314J005			4	Screw
35	3651A016			1	Support
36	2314H002			1	Screw
37	2481D556	●	2481D558(1)	1	Clip
38	2817154			1	Hitch
39	3114X192			1	Pulley

Engine

A-05
02

Cylinder block

F/XL Techno Tier 2 (2003-2008) - RP52 - F95 F/GE/XL



A0502

RP52\000014757.png

Inglese

40 3115C161

1 Pulley

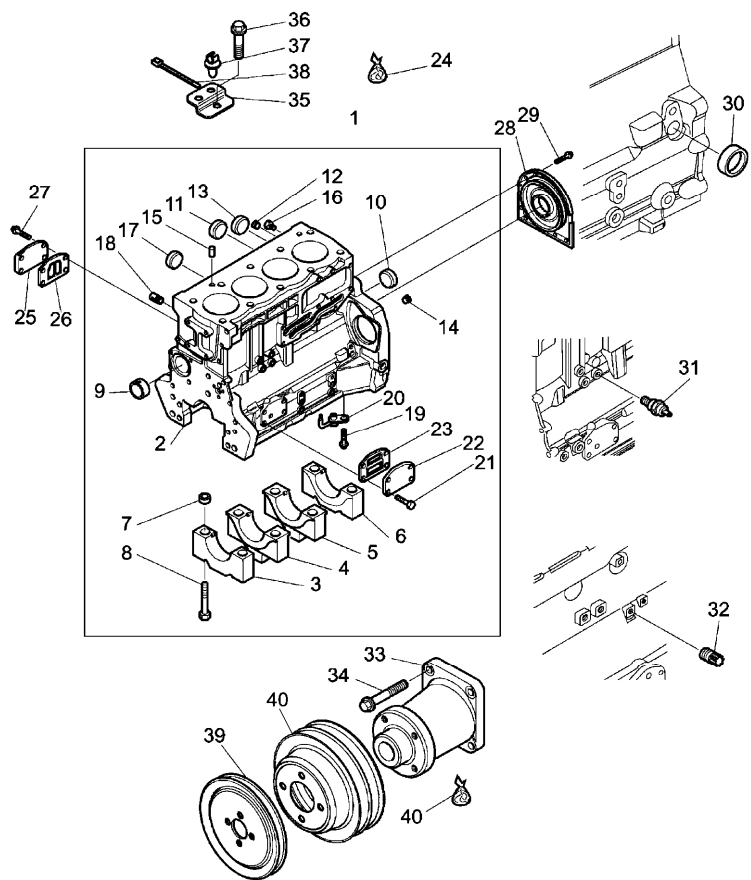
! This is a component of an assembly

Not serviced, order

Replacement

(X) Qty per tractors sold (aa.bbb.ccc.ddd) (aa) for 1,(bbb) 2-10 (ccc) 11-25 (ddd) 26-50

T-A Replacement



Engine

F/XL Techno Tier 2 (2003-2008) - RP52 - F95 F/GE/XL

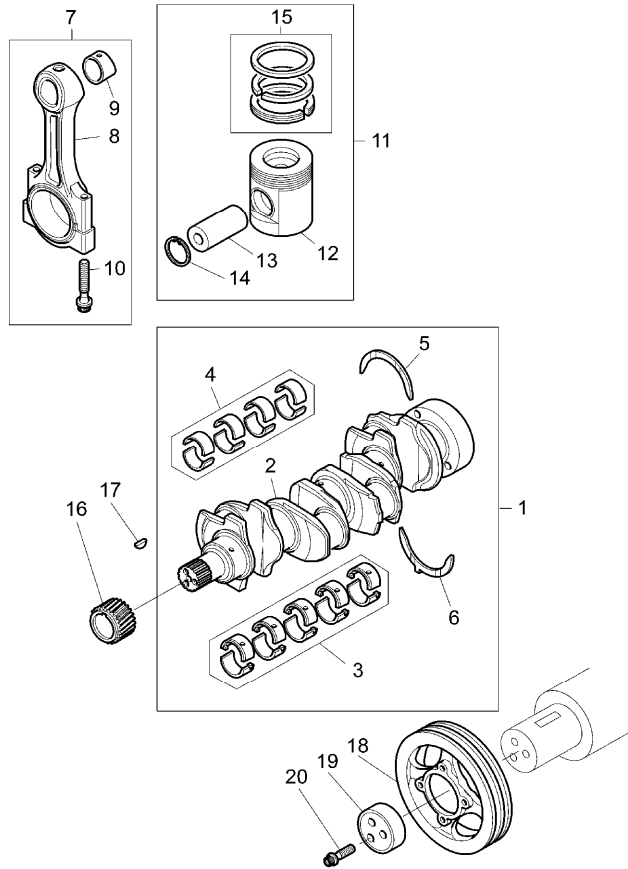
RP52\00010860.png

A-05
03



A0503

Crankshaft, pistons and connecting rods



Inglese

1	ZZ90222	➔	U491476 t	1	Kit
		●	ZZ90239(1)		
		T-A	18:50		
1	ZZ90237	➔	U491477 t	1	Shaft
2		!	1	1	Crankshaft
		➔	Zz90222		
3	U5MB0018	!	1	1	Kit
		●	U5MB0033(1)		
		T-A	18:50		
3	U5MB0018A	!	1	1	Kit
		✂	(+)0.010"		
		●	U5MB0033A(1)		
		T-A	18:50		
3	U5MB0018B	!	1	1	Kit
		✂	(+)0.020"		
		●	U5MB0033B(1)		
		T-A	18:50		
3	U5MB0018C	!	1	1	Kit
		✂	(+)0.030"		
		●	N.L.A.(1)		
		T-A	18:50		
4	U5ME0013	!	1	1	Kit
		●	U5ME0034(1)		
		T-A	18:50		

Engine

F/XL Techno Tier 2 (2003-2008) - RP52 - F95 F/GE/XL

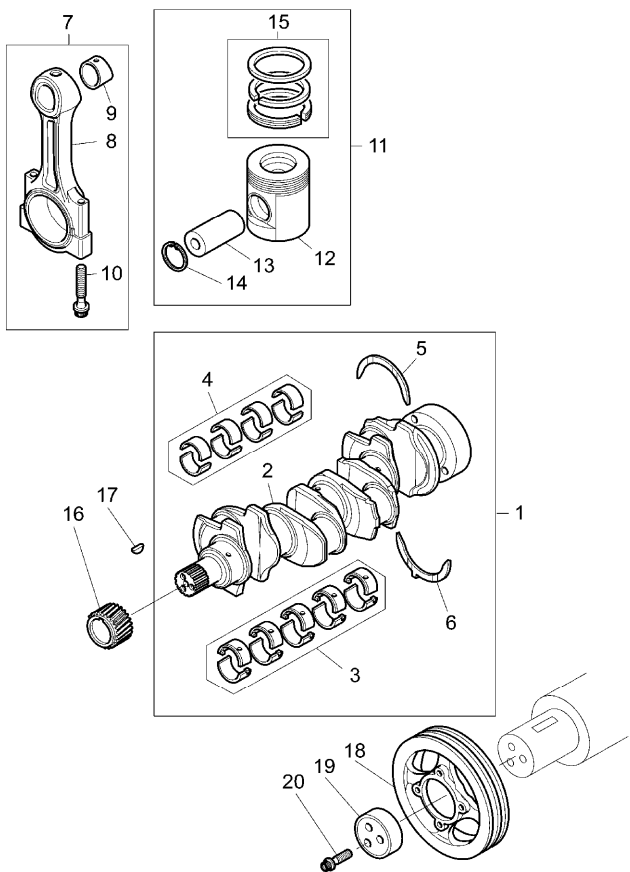
RP52\00010860.png

A-05
03



A0503

Crankshaft, pistons and connecting rods



Inglese

4	U5ME0013A	!	1	1 Kit
		⚡	(+)0.010"	
		●	U5ME0034A(1)	
		T-A	18:50	
4	U5ME0013B	!	1	1 Kit
		⚡	(+)0.020"	
		●	U5ME0034B(1)	
		T-A	18:50	
4	U5ME0013C	!	1	1 Kit
		⚡	(+)0.030"	
		●	U5ME0034C(1)	
		T-A	18:50	
5	31137312	!	1	2 Ring
		⚡	(+)0.007"	
		T-A	18:50	
5	31137551	!	1	2 Washer
		T-A	18:50	
6	31137322	!	1	2 Ring
		⚡	(+)0.007"	
		T-A	18:50	
6	31137561	!	1	2 Washer
		T-A	18:50	
7	4115C311	➡	U491477 t	4 Kit
		B		
		T-A	17:0	

Engine

F/XL Techno Tier 2 (2003-2008) - RP52 - F95 F/GE/XL

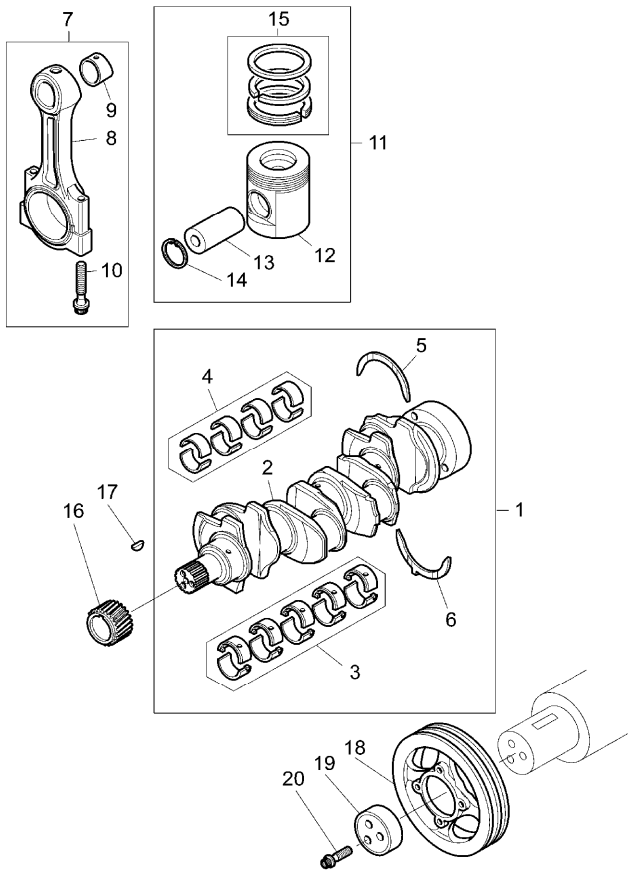
RP52\00010860.png

A-05
03



A0503

Crankshaft, pistons and connecting rods



		Inglese	
7	4115C312	➔ U491477 t	4 Kit
		C	
		T-A 17:0	
7	4115C313	➔ U491477 t	4 Kit
		D	
		T-A 17:0	
7	4115C314	➔ U491477 t	4 Kit
		E	
		T-A 17:0	
7	4115C315	➔ U491477 t	4 Kit
		F	
		T-A 17:0	
7	4115C316	➔ U491477 t	4 Kit
		G	
		T-A 17:0	
7	4115C361	➔ U491478 t	4 Conrod
		B	
7	4115C362	➔ U491478 t	4 Conrod
		C	
7	4115C363	➔ U491478 t	4 Conrod
		D	
7	4115C364	➔ U491478 t	4 Conrod
		E	
7	4115C365	➔ U491478 t	4 Conrod
		F	

Engine

F/XL Techno Tier 2 (2003-2008) - RP52 - F95 F/GE/XL

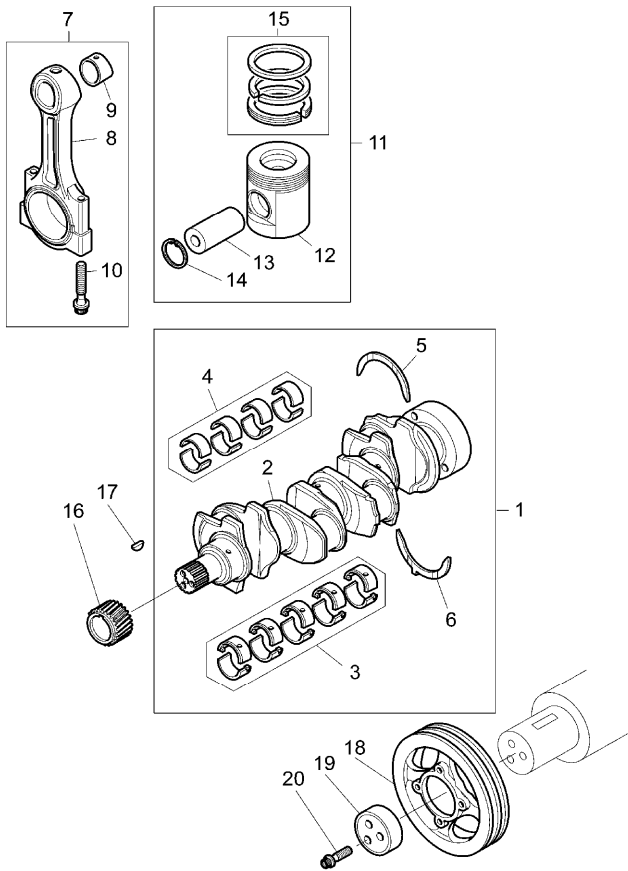
RP52\00010860.png

A-05
03



A0503

Crankshaft,pistons and connecting rods



Inglese

7	4115C366	➔	U491478 t	4	Conrod
			G		
8		!	7	1	Conrod
		➔	Ref.n.7		
9	3112A005	!	7	1	Bush
10	3212V003	!	7	2	Screw
11	4115P015	T-A	17:0	4	Kit
12		!	11	1	Piston
		➔	4115p015		
13		!	11	1	Pin
		➔	4115p015		
14	2721332	!	11	2	Ring
15	UPRK0002	!	11	1	Kit
		(X)	0.1.3.		
		T-A	17:0		
16	3117C221	T-A	13:0	1	Gear
17	0500012	T-A	13:0	1	Key
18	3115T051	T-A	2:0	1	Pulley
19	3241N001	T-A	2:0	1	Block
20	32186137			3	Screw

! This is a component of an assembly

➔ From serial or engine number

➔ Up to serial or engine number

➔ Not serviced, order

⚡ Shim

● Replacement

(X) Qty per tractors sold (aa.bbb.ccc.ddd) (aa) for 1,(bbb) 2-10 (ccc) 11-25 (ddd) 26-50

Engine

A-05
03

Crankshaft,pistons and connecting rods

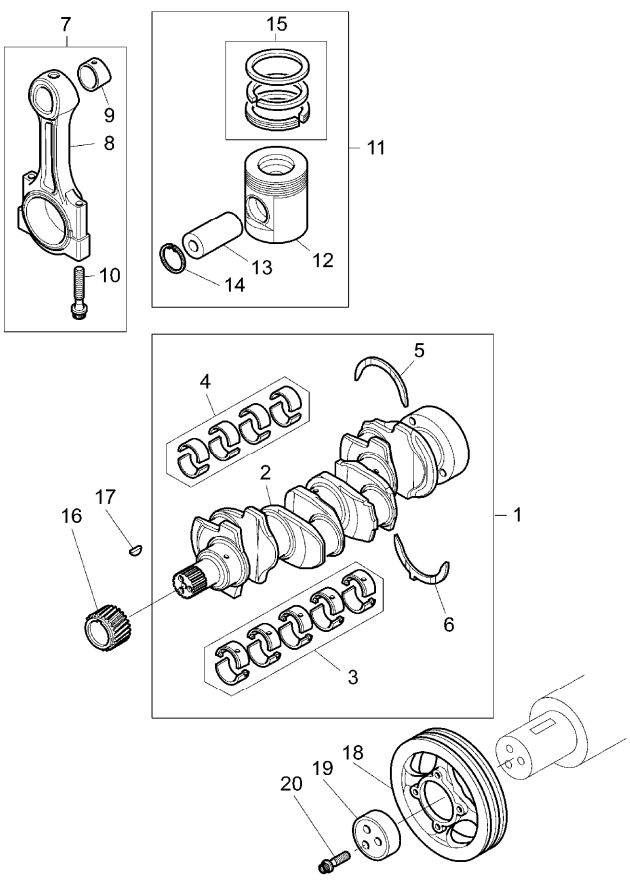
F/XL Techno Tier 2 (2003-2008) - RP52 - F95 F/GE/XL



A0503

RP52\00010860.png

- T-A Replacement
- B Red
- C Orange
- D White
- E Green
- F Purple
- G Blue



Engine

F/XL Techno Tier 2 (2003-2008) - RP52 - F95 F/GE/XL

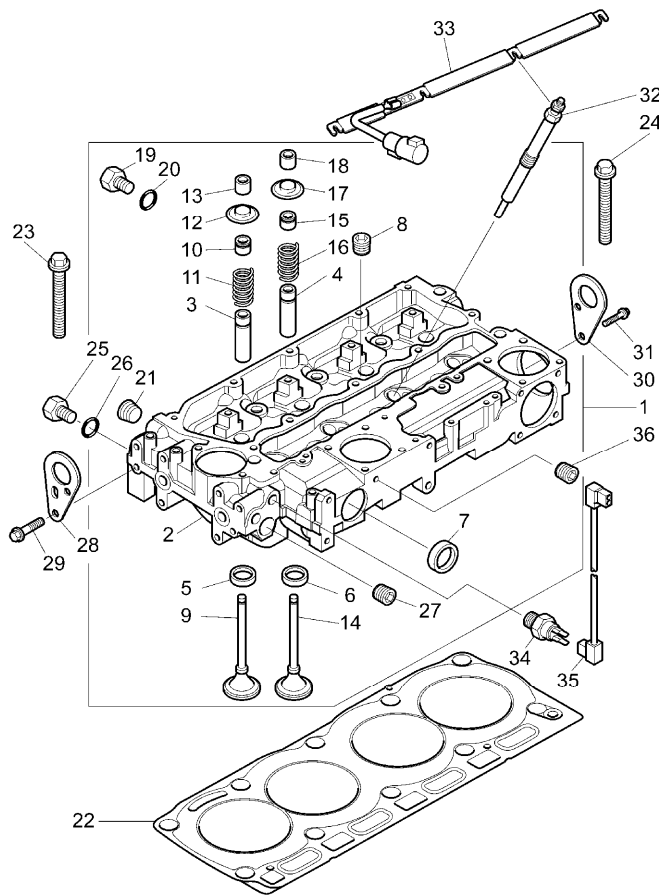
RP52\00010917.png

A-05
04



A0504

Cylinder head



Inglese

1	ZZ80268	T-A 4:0	1 Kit
		T-B 7:0	
2	➡ Zz80268	!	1 Cylinder head
		!	
3	3313E021	!	4 Guide
		● 3313A012(4)	
		T-A 7:50	
4	3313E021	!	4 Guide
		● 3313A012(4)	
		T-A 7:50	
5	3314A151	!	4 Insert
		● 3314A241(4)	
		T-A 7:50	
6	3314A161	!	4 Insert
		● 3314A231(4)	
		T-A 7:50	
7	32416117	!	2 Plug
		T-A 1:0	
8	0650588	!	4 Plug
		T-A 0:50	
9	3142H071	!	4 Valve
		T-A 7:50	
10	2418M514	!	4 Ring
		● N.L.S.(4)	
		T-A 3:0	

Engine

F/XL Techno Tier 2 (2003-2008) - RP52 - F95 F/GE/XL

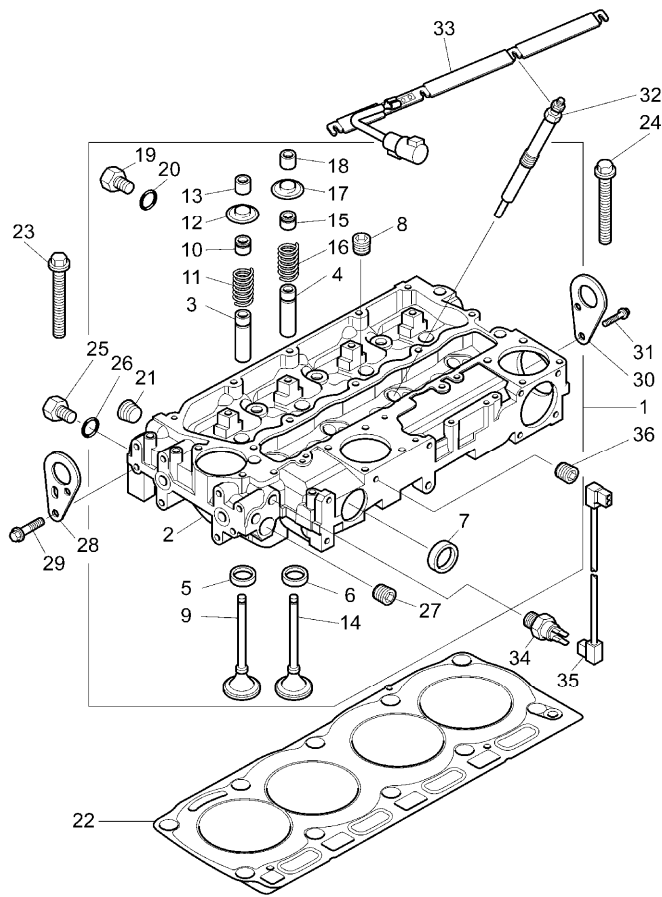
RP52\00010917.png

A-05
04



A0504

Cylinder head



			Inglese
11	3174A016	! 1	4 Spring
		T-A 3:0	
12	3342A011	! 1	4 Cover
		T-A 3:0	
13	3142W004	! 1	8 Cotter
		T-A 3:0	
14	3142A151	! 1	4 Valve
		T-A 7:50	
15	2418M514	! 1	4 Ring
		● N.L.S.(4)	
		T-A 3:0	
16	3174A016	! 1	4 Spring
		T-A 3:0	
17	3342A011	! 1	4 Cover
		T-A 3:0	
18	3142W004	! 1	8 Cotter
		T-A 3:0	
19	3278A006	! 1	1 Plug
20	2415H003	! 1	1 Ring
21	2431154	! 1	1 Plug
22	3681E046	● 3681E051(1)	1 Gasket
		T-A 4:0	
23	3218A011		7 Screw
24	3218A012		3 Screw
25	3278A006		1 Plug
26	2415H003		1 Ring

Engine

F/XL Techno Tier 2 (2003-2008) - RP52 - F95 F/GE/XL

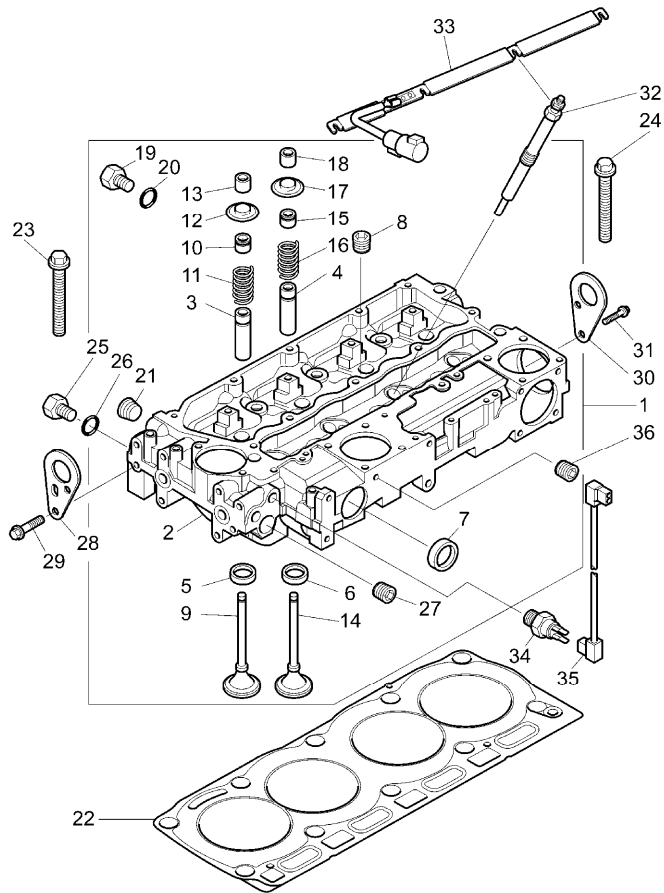
RP52\00010917.png

**A-05
04**



A0504

Cylinder head



- 27 2431154
 - 28 3617A015
 - 29 2314J002
 - 30 3647A007
 - 31 2314J002
 - 32 2666A016 T-A 0:75
 - 33 3161C015 ● T409642(1)
 - 34 2848A127 A
 - 35 3161C017 T-A 0:25
 - 36 2431131 ● 0650594(1)
- ! This is a component of an assembly
- 🔧 Not serviced, order
- Replacement
- T-A Replacement
- T-B Overhaul
- A Water temperature

Inglese

- 1 Plug
- 1 Stirrup
- 2 Screw
- 1 Stirrup
- 2 Screw
- 4 Spark plug
- 1 Bar
- 1 Sensor
- 1 Cable
- 1 Plug

Engine

F/XL Techno Tier 2 (2003-2008) - RP52 - F95 F/GE/XL

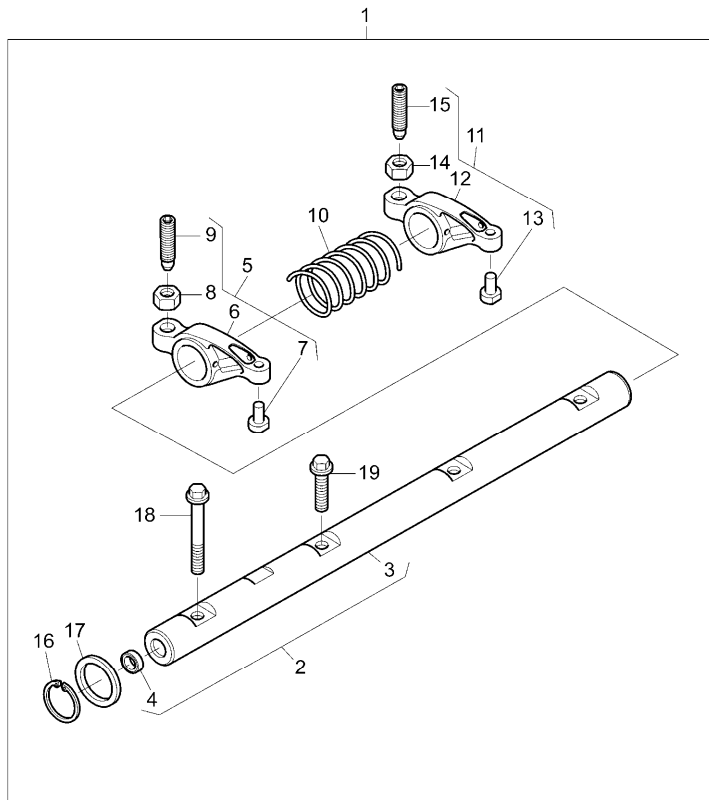
RP52\00010861.png

A-05
05



A0505

Rocker shaft



				Inglese
1	4115R612	T-A 4:0		1 Rocker
2	4115R703	! 1		1 Shaft
		T-A 4:0		
3		! 2		1 Shaft
		➡ 4115r703		
4	2485A104	! 2		2 Plug
		T-A 4:0		
5	4115R314	T-A 4:0		4 Rocker
6		! 5		1 Arm
		➡ 4115r314		
7		! 5		1 Shim
		➡ 4112r314		
8	0576052	! 5		1 Nut
9	32114145	! 5		1 Screw
10	3174A015	! 1		3 Spring
		T-A 4:0		
11	4115R315	! 1		4 Rocker
		T-A 4:0		
12		! 11		1 Arm
		➡ 4115r315		
13		! 11		1 Shim
		➡ 4115r315		
14	0576052	! 11		1 Nut
15	32114145	! 11		1 Screw
		T-A 1:25		
16	2722A022	! 1		2 Ring

Engine

F/XL Techno Tier 2 (2003-2008) - RP52 - F95 F/GE/XL

RP52\00010861.png

A-05
05



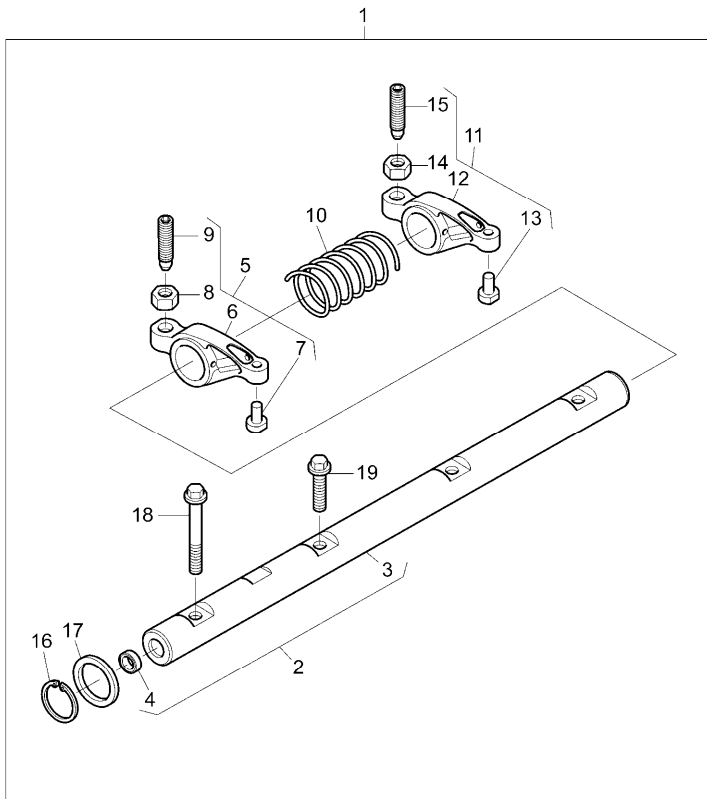
A0505

Rocker shaft

Inglese

17	2134A502	!	1	2	Washer
		T-A	4:0		
18	2316A901	!	1	1	Screw
19	2316A902	!	1	3	Screw

- ! This is a component of an assembly
- ▣ Not serviced, order
- T-A Replacement



Engine

F/XL Techno Tier 2 (2003-2008) - RP52 - F95 F/GE/XL

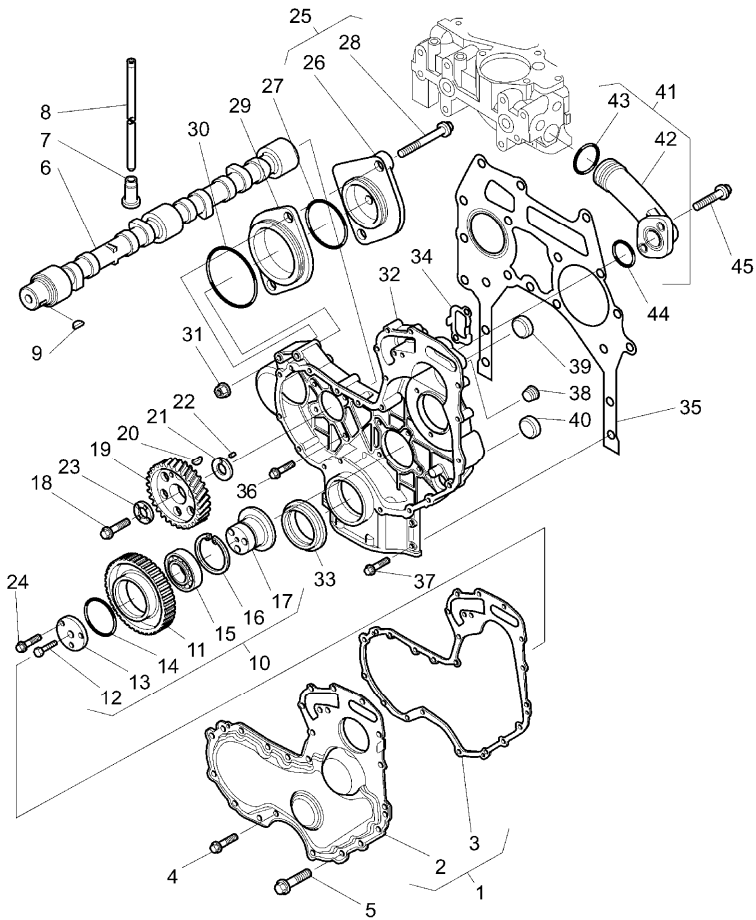
RP52\00010862.png

A-05
06



A0506

Timing gear and camshaft



		Inglese	
1	4142A501	● 4142A503(1) T-A 4:50	1 Kit
2		➡ 4142a501 ! 1	1 Overlay
3	3681P046	! 1 (X) 0.1.3. T-A 4:50	1 Gasket
4	2314H002		9 Screw
5	2314H012		5 Screw
6	3141D221	● 4112K043(1) T-A 14:0	1 Shaft
7	3142U031	● 3142U991(8) T-A 14:25	8 Tappet
8	31434307	T-A 2:75	8 Rod
9	0500012		1 Key
10	4111A028	● 4111A048(1) T-A 4:75	1 Gear
11		! 10 ➡ 4111a028	1 Gear
12	2314C037	! 10	1 Screw
13	3241A013	! 10 T-A 4:75	1 Disc
14	2559A001	! 10 T-A 4:75	2 Washer
15	2558A501	! 10 T-A 4:75	1 Cuscinet

Engine

F/XL Techno Tier 2 (2003-2008) - RP52 - F95 F/GE/XL

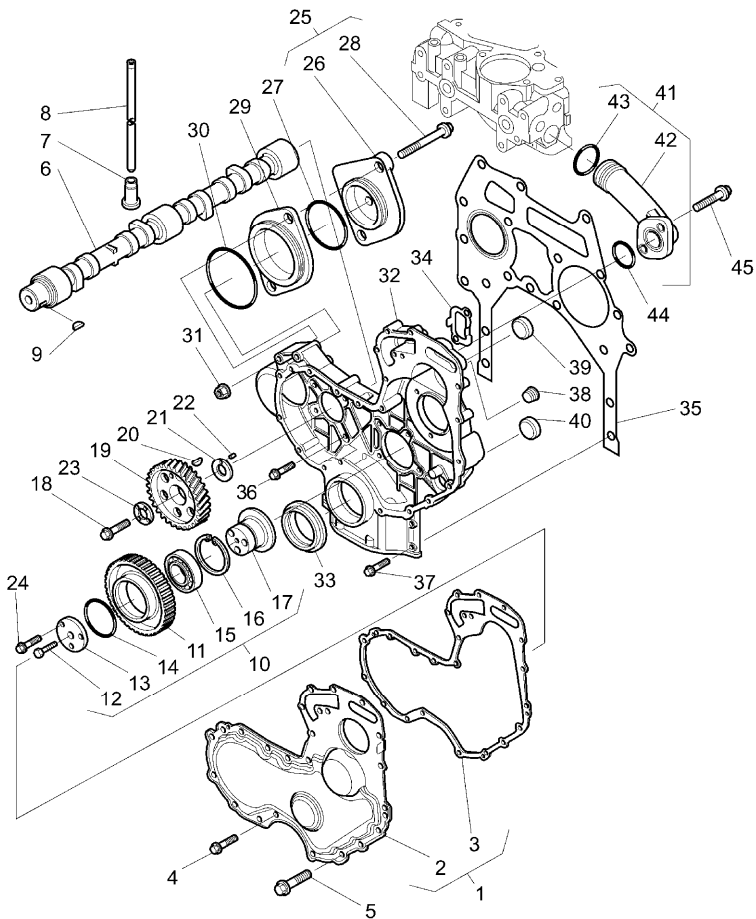
RP52\00010862.png

A-05
06



A0506

Timing gear and camshaft



		Inglese	
16	2721B064	!	2 Ring
		T-A 4:75	
17	3272A015	!	1 Hub
		T-A 4:75	
18	2314J606		1 Screw
19	3117L271	●	1 Gear
		T-A 4:75	
20	0500012		1 Key
21	3321A003	T-A 4:75	1 Washer
22	2116053		1 Pin
23	3327A003	●	1 Washer
		T-A 4:75	
24	2314J012		3 Screw
25	4148K012	T-A 4:75	1 Plate
26		!	1 Plate
		➡	4148k012
27	2415H510	!	1 Ring
		●	2415H515(1)
		T-A 4:75	
28	2314J014		2 Screw
29	3617A021	T-A 4:75	1 Disc
30	2415A063	●	1 Ring
		T-A 4:75	
31	2318A604		2 Nut
32	3716C481	T-A 4:75	1 Housing

Engine

A-05
06

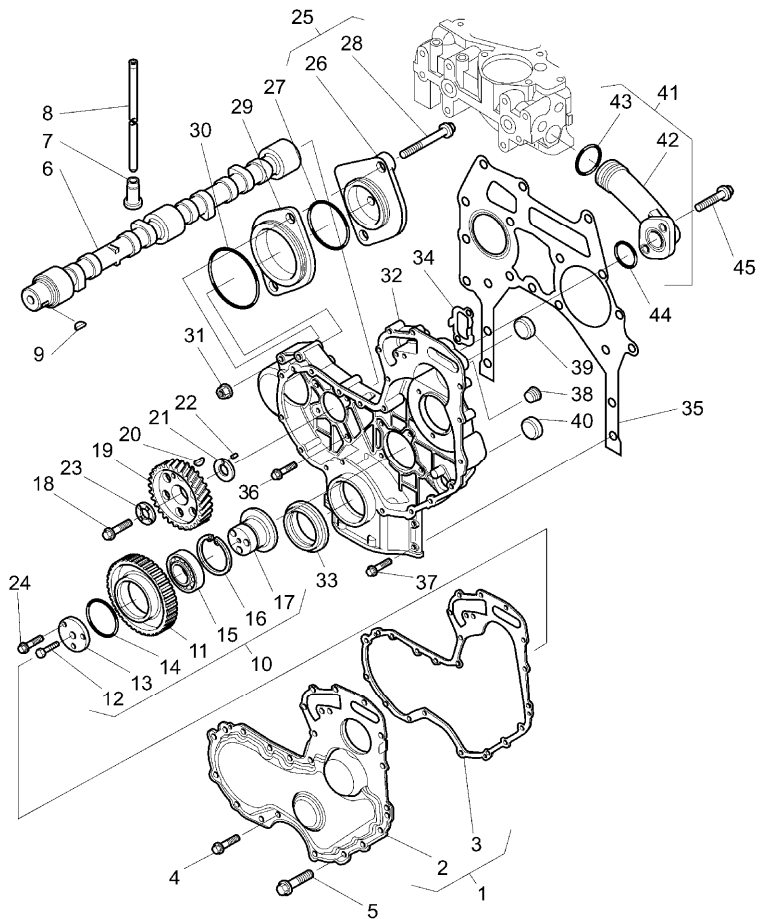
Timing gear and camshaft

F/XL Techno Tier 2 (2003-2008) - RP52 - F95 F/GE/XL



A0506

RP52\00010862.png



		Inglese	
33	2418F553	● 2418F437(1) (X) T-A 4:75	1 Ring
34	3617V016	● 3681P053(1) T-A 4:75	1 Gasket
35	3617V015	● 3681P053(1) T-A 4:75	1 Gasket
36	2314H003		8 Screw
37	2314H034		4 Screw
38	2431154		1 Plug
39	2485A124		1 Plug
40	2485A118		1 Plug
41	4133L048	T-A 4:75	1 Connection
42	!	41 ▶ 4133I048	1 Connection
43	2418F002	! 41 T-A 4:75	1 Ring
44	2418F001	! 41 T-A 4:75	1 Ring
45	2314H003		2 Screw
!	This is a component of an assembly		
▶	Not serviced, order		
●	Replacement		
(X)	Qty per tractors sold (aa.bbb.ccc.ddd) (aa) for 1,(bbb) 2-10 (ccc) 11-25 (ddd) 26-50		
T-A	Replacement		

Engine

F/XL Techno Tier 2 (2003-2008) - RP52 - F95 F/GE/XL

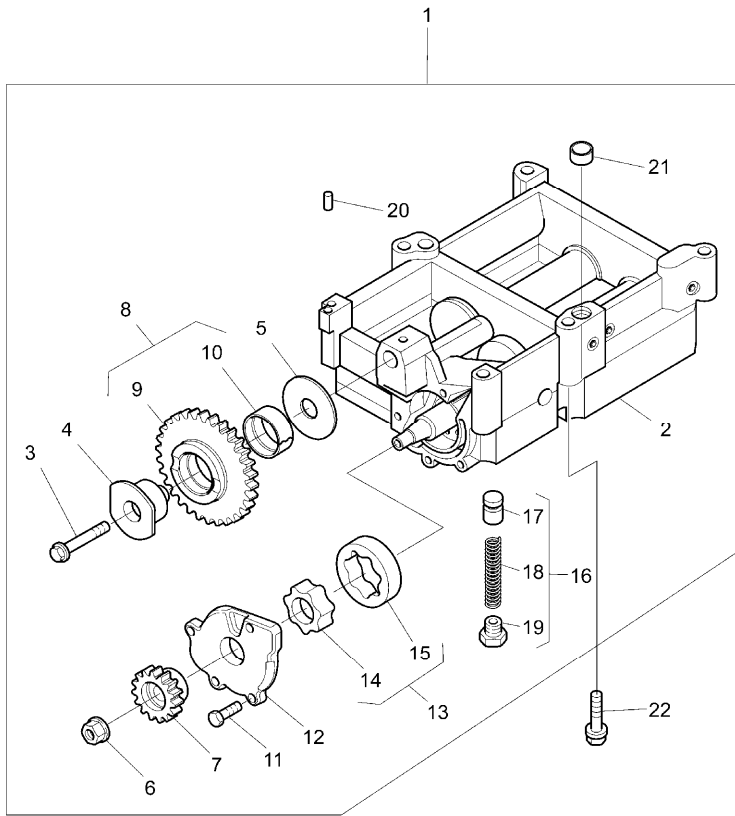
RP52\00010863.png

A-05
07



A0507

Oil pump



		Inglese	
1	4111K073	T-A 4:0 T-B 5:0	1 Balancer
2	!	1	1 Frame
	➡ 4111k073		
3	2314H951	!	1 Screw
4	3272A018	!	1 Shaft
	● 3272A022(1)		
5	3321A006	T-A 5:0	1 Washer
6	2318F605	!	1 Nut
7	3117A101	!	1 Gear
8	4111A029	T-A 5:0	1 Gear
9	!	8	1 Gear
	➡ 4111a029		
10	3112D031	!	1 Cuscinet
	● N.L.A.(1)		
11	2314C945	T-A 5:0	5 Screw
12	3753R351	!	1 Cover
	T-A 5:0		
13	4111K068	!	1 Rotor
	T-A 5:0		

Engine

F/XL Techno Tier 2 (2003-2008) - RP52 - F95 F/GE/XL

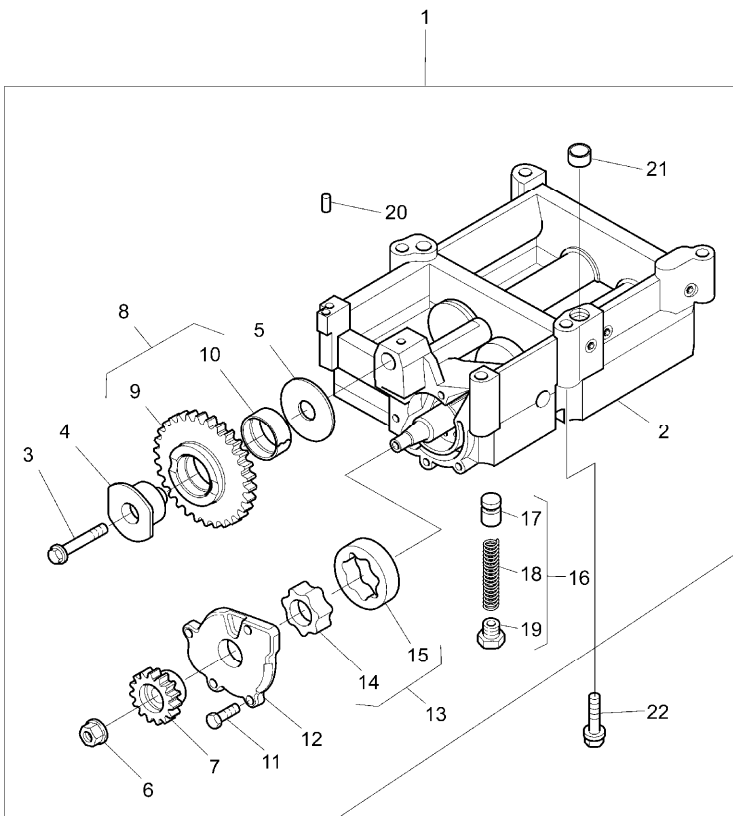
RP52\00010863.png

A-05
07



A0507

Oil pump



		Inglese	
14	!	13	1 Rotor
	▶	4111k068	
15	!	13	1 Rotor
	▶	4111k068	
16	U5MK0695	!	1 Valve
	T-A	5:0	
17	3245A002	!	1 Contact
	T-A	5:0	
18	3174A021	!	1 Spring
	T-A	5:0	
19	3218A013	!	1 Plug
20	3244A013	!	1 Dowel
21	33137409	!	1 Thimble
22	2314J012		6 Screw
!		This is a component of an assembly	
▶		Not serviced, order	
●		Replacement	
T-A		Replacement	
T-B		Overhaul	

Engine

F/XL Techno Tier 2 (2003-2008) - RP52 - F95 F/GE/XL

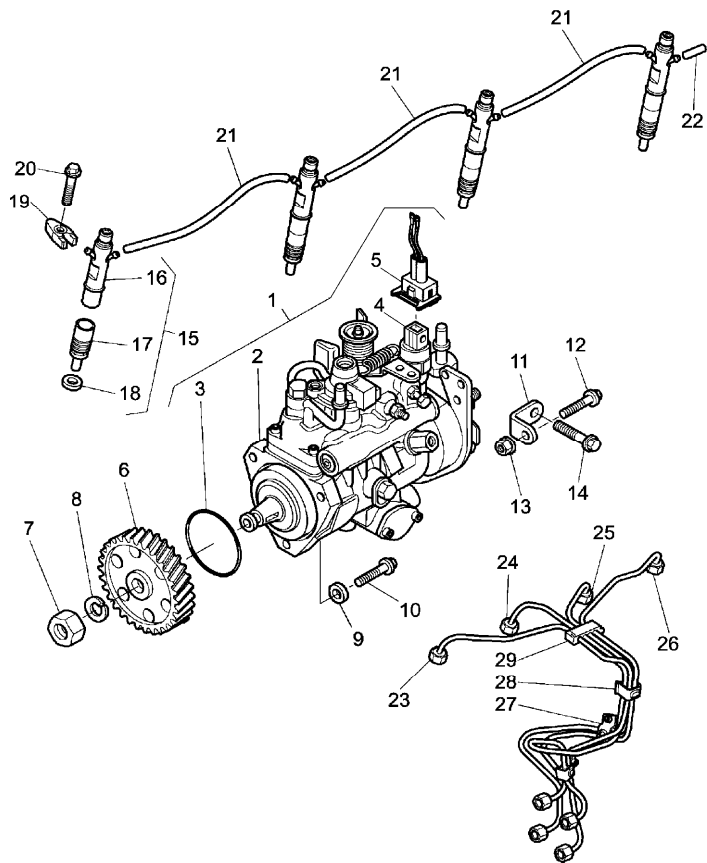
RP52\000014759.png

**A-05
08**



A0508

Fuel injection equipment (diesel)



		Inglese	
1	2644H002	● 0206002(1), 0566(0576111(1), 2644H023/22(1), 4121A063(1), K138AF02(1)	1 Pump
		T-A 5:0	
2		! 1	1 Pump
		➡ Ref.n.1	
3	26420318	! 1	1 Ring
		T-A 4:50	
4	26420469	! 1	1 Solenoid
		(X) 1.3.5.	
		T-A 0:25	
5	3161C012	! 1	1 Kit
6	3117L261	T-A 4:50	1 Gear
7	2318A108		1 Nut
8	K134AF01		1 Washer
9	2411D008		3 Washer
10	2314H004		3 Screw
11	3641A007		1 Stirrup
12	2314H003		1 Screw
13	2318A603		1 Nut
14	2314J002		1 Screw
15	2645K011	T-A 2:0	4 Atomiser
16		! 15	1 Support
		➡ Ref.n. 15	



Suggest:

For more complete manuals. Please go to the home page.

<https://www.ebooklibonline.com>

If the above button click is invalid. Please download this document first, and then click the above link to download the complete manual.

Thank you so much for reading

Engine

F/XL Techno Tier 2 (2003-2008) - RP52 - F95 F/GE/XL

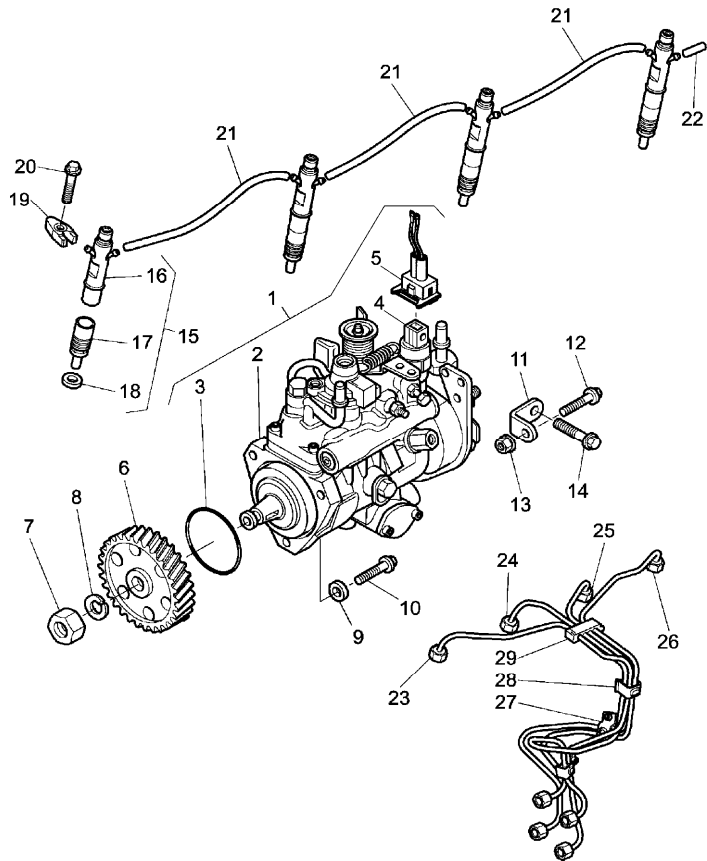
RP52\000014759.png

**A-05
08**



A0508

Fuel injection equipment (diesel)



			Inglese
17	2645K611	! 15 (X) 1.4.8.1 T-A 2:0	1 Nozzle
18	L311FF02	! 15	1 Washer
19	3751A241	T-A 2:0	4 Clamp
20	2314W009		4 Screw
21	2646F501	T-A 0:25	3 Pipe
22	2646E501	T-A 0:25	1 Cap
23	3525A101	T-A 0:25	1 Pipe
24	3525A102	T-A 0:25	1 Pipe
25	3525A103	T-A 0:25	1 Pipe
26	3525A104	T-A 0:25	1 Pipe
27	2481Y011		1 Clip
28	2481Y012		1 Clip
29	2646E019		1 Clip
30	2481D221	A	1 Clip
!			This is a component of an assembly
☞			Not serviced, order
●			Replacement
(X)			Qty per tractors sold (aa.bbb.ccc.ddd) (aa) for 1,(bbb) 2-10 (ccc) 11-25 (ddd) 26-50
T-A			Replacement
A			Not illustrated

Engine

F/XL Techno Tier 2 (2003-2008) - RP52 - F95 F/GE/XL

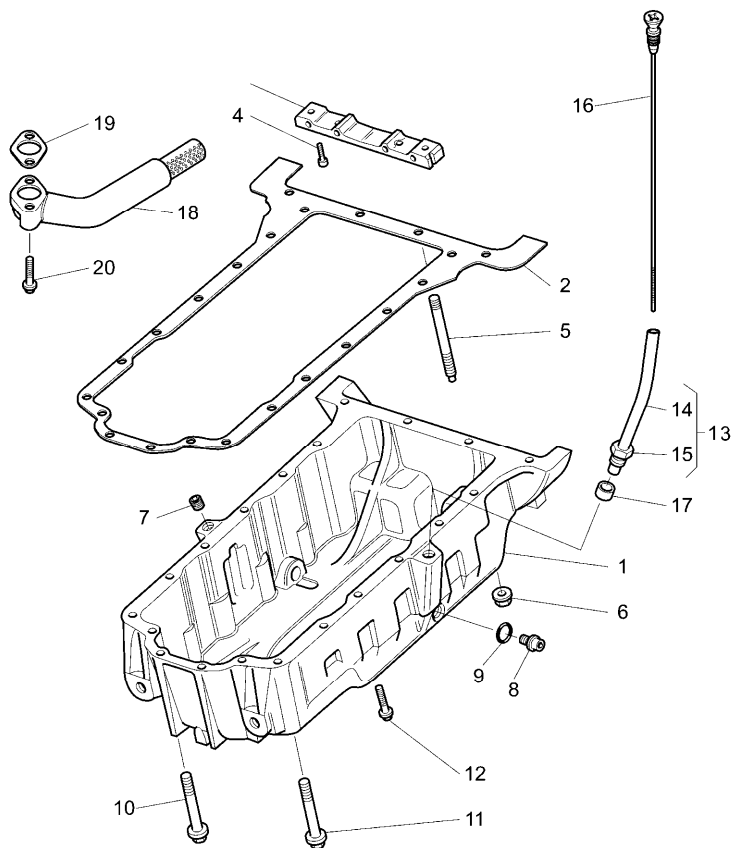
RP52\00010865.png

A-05
09



A0509

Lubricating oil sump



1	3717E271	T-A	2:0
2	3681K036	(X)	0.1.5.
		T-A	2:0
3	3627P041	T-A	2:0
4	2311D039		
5	3211P013		
6	2318A603		
7	2431A016		
8	32186405		
9	2415715		
10	2314H023		
11	2314H022	●	2314H052(1)
12	2314H015		
13	3577A125	T-A	0:25
14		!	13
		▣	3577a125
15	3353D005	!	13
16	3178C081	(X)	0.1.4.
		T-A	0:25
17	33812116	T-A	0:25
18	3765A091	T-A	2:25
19	36832137	T-A	2:25
20	2314H006		

Inglese

1	Crankcase
1	Gasket
1	Crosspiece
2	Screw
2	Stud
2	Nut
1	Plug
2	Plug
2	Ring
5	Screw
1	Screw
12	Screw
1	Pipe
1	Pipe
1	Nut
1	Rod
1	Olive
1	Pipe
1	Gasket
2	Screw

! This is a component of an assembly
 ▣ Not serviced, order

<https://www.ebooklibonline.com>

Hello dear friend!

Thank you very much for reading.

Enter the link into your browser.

The full manual is available for immediate download.

<https://www.ebooklibonline.com>