

Engine

F/XL Techno Tier 2 (2003-2008) - RP52 - F85 F/GE/XL

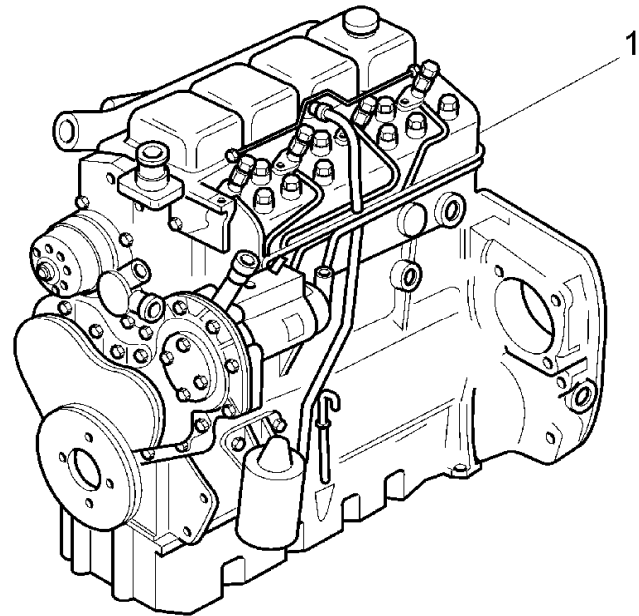
RP52\00010996.png

A-05
01



A0501

Engine assembly



Inglese

1 3668835M93 "perkins - re37946 1 Engine
59.5 kw
T-A 10:50
T-B 30:50

T-A Replacement
T-B Overhaul

Engine

F/XL Techno Tier 2 (2003-2008) - RP52 - F85 F/GE/XL

RP52\00002787.png

A-05
011



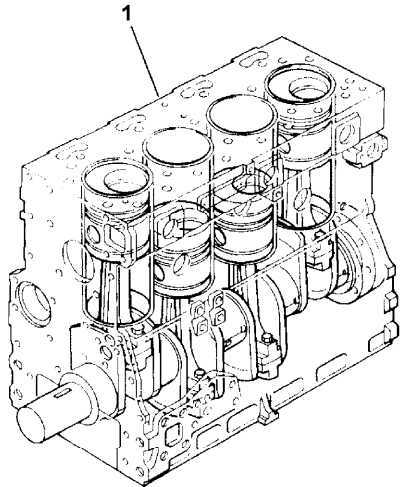
A05011

Short engine

Inglese

- | | | | | | |
|---|---------|-----|----------------------------------|---|--------------|
| 1 | RE40002 | ➡ | U491476 t | 1 | Engine |
| | | ● | 3115A141(1),
32186146(3), RE4 | | |
| | | T-A | 30:0 | | |
| 1 | RE40021 | ➡ | U491477 t | 1 | Short engine |

- ➡ From serial or engine number
- ➡ Up to serial or engine number
- Replacement
- T-A Replacement



Engine

F/XL Techno Tier 2 (2003-2008) - RP52 - F85 F/GE/XL

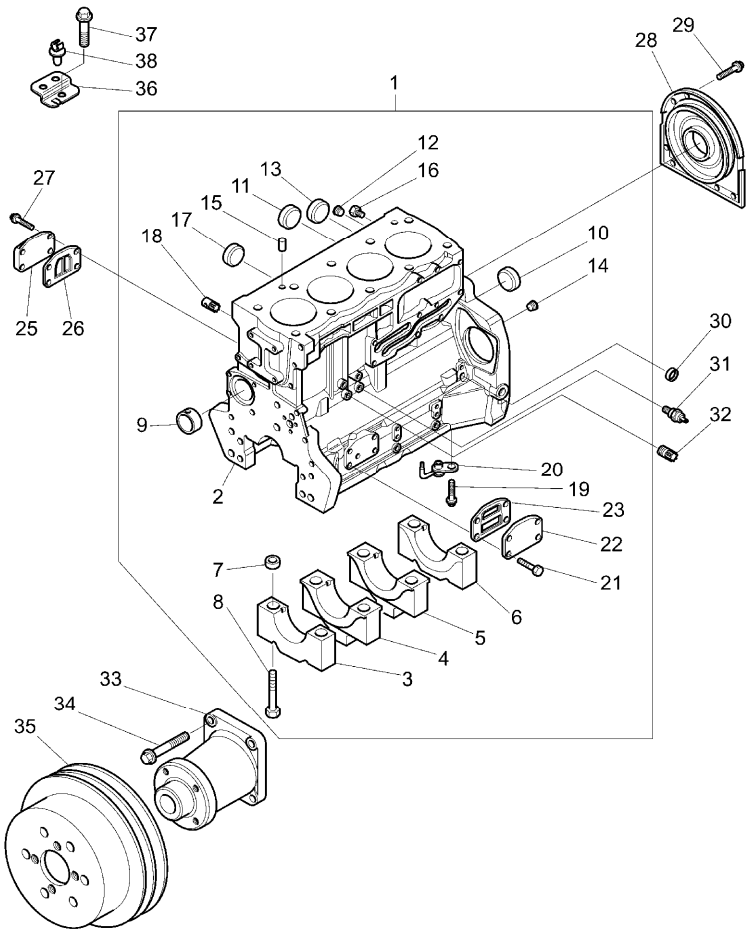
RP52\00010995.png

A-05
02



A0502

Cylinder block



		Inglese
1	ZZ50312	1 Kit
	● ZZ50325(1)	
	T-A 30:50	
2	! 1	1 Cylinder
	➤ Zz50312	
3	! 1	1 Bearing
	➤ Zz50312	
4	! 1	1 Bearing
	➤ Zz50312	
5	! 1	1 Bearing
	➤ Zz50312	
6	! 1	1 Bearing
	➤ Zz50312	
7	33142111	10 Manicott
8	32166329	10 Screw
9	3112D071	1 Bush
	● 3112D075(1)	
10	3241A012	1 Plug
11	3241A011	2 Plug
12	0650588	1 Plug
13	0650710	1 Plug
14	3212P008	1 Plug
15	3244A009	2 Dowel
16	32141316	2 Plug
17	2485A108	1 Plug
18	3212V006	1 Plug

<https://www.ebooklibonline.com>

Hello dear friend!

Thank you very much for reading.

Enter the link into your browser.

The full manual is available for immediate download.

<https://www.ebooklibonline.com>

Engine

F/XL Techno Tier 2 (2003-2008) - RP52 - F85 F/GE/XL

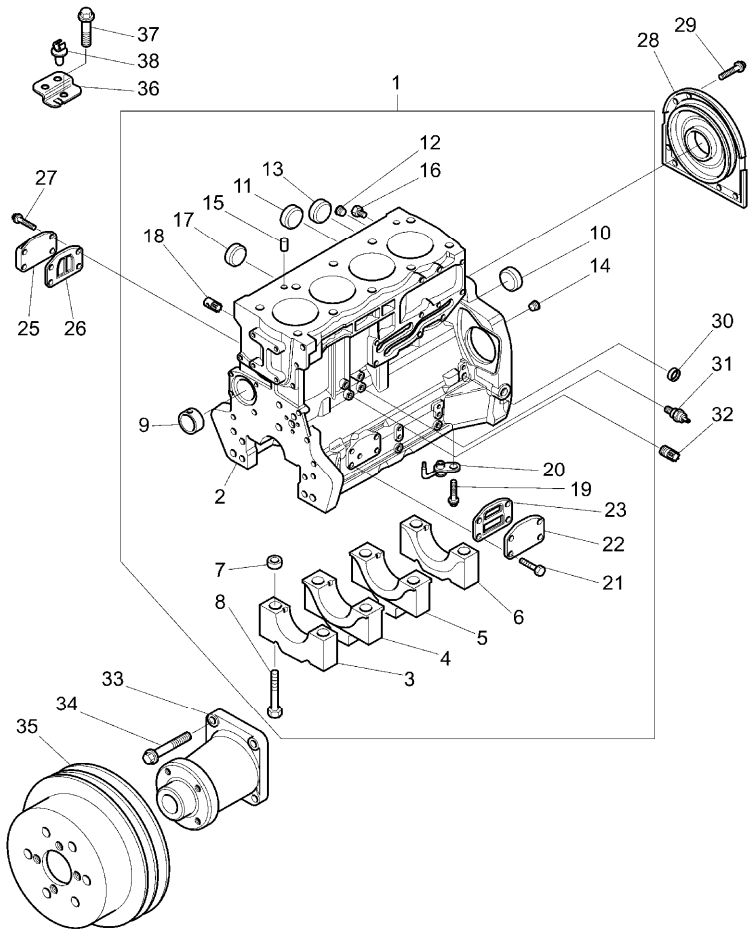
RP52\00010995.png

A-05
02



A0502

Cylinder block



		Inglese	
19	2314F001	! 1	4 Screw
20	2113A001	! 1	4 Atomiser
		● 2113A003(4)	
21	2314H033	! 1	4 Screw
22	3623A009	! 1	1 Plate
		T-A 0:50	
23	3688A039	! 1	1 Gasket
		T-A 0:50	
25	3753A081	T-A 0:50	1 Coperch.
26	3688A041	T-A 0:50	1 Ring
27	2314H034		4 Screw
28	2418F704	(X) 0.1.3.	1 Housing
		T-A 11:0	
29	3211C002		10 Screw
30	2485A109		1 Plug
31	2848062	● 4172E054(1)	1 Switch
		A	
		T-A 0:25	
32	3212V005		1 Plug
33	4113K005	T-A 2:0	1 Housing
34	2314J005		4 Screw
35	3115C111	T-A 2:0	1 Pulley
36	3651A016	T-A 2:0	1 Support
37	2314H002		1 Screw
38	2481D556	● 2481D558(1)	1 Clip

Engine

A-05
02

Cylinder block

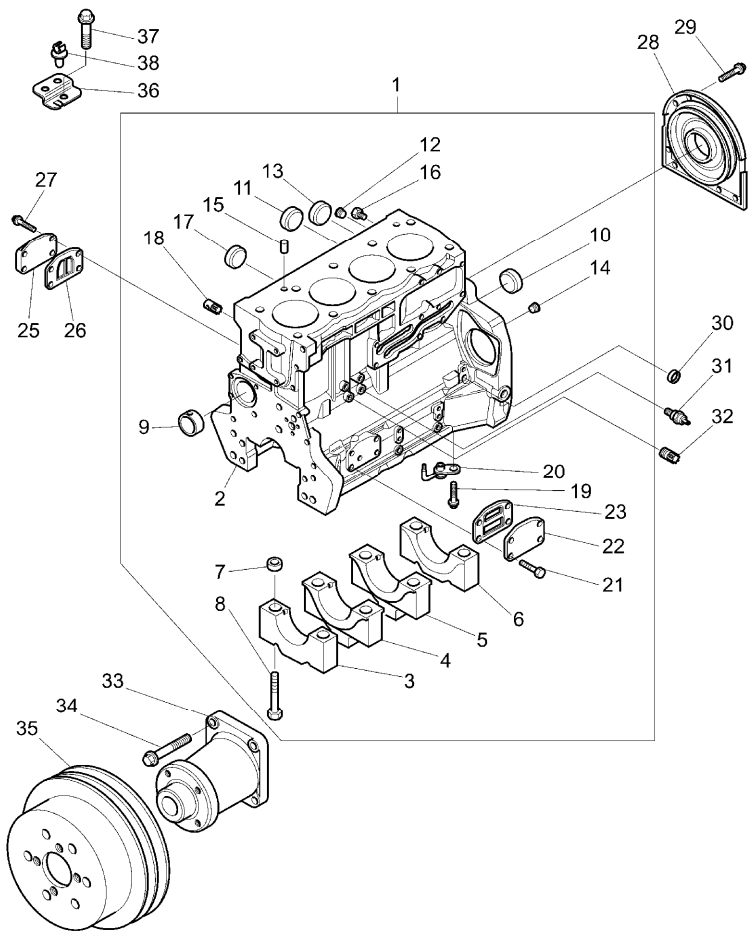
F/XL Techno Tier 2 (2003-2008) - RP52 - F85 F/GE/XL



A0502

RP52\00010995.png

- ! This is a component of an assembly
- ▣ Not serviced, order
- Replacement
- (X) Qty per tractors sold (aa.bbb.ccc.ddd) (aa) for 1,(bbb) 2-10 (ccc) 11-25 (ddd) 26-50
- T-A Replacement
- A Oil pressure



Engine

F/XL Techno Tier 2 (2003-2008) - RP52 - F85 F/GE/XL

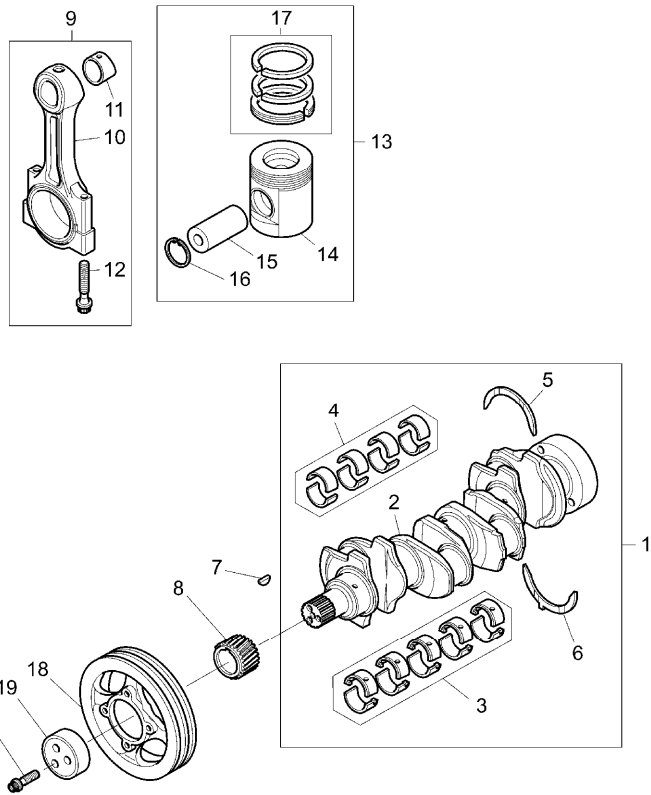
RP52\00010997.png

A-05
03



A0503

Crankshaft, pistons and connecting rods



Inglese

- | | | | | | |
|---|-----------|-----|--------------|---|------------|
| 1 | ZZ90224 | ➔ | U491476 t | 1 | Kit |
| | | ● | ZZ90239(1) | | |
| | | T-A | 18:50 | | |
| 1 | ZZ90237 | ➔ | U491477 t | 1 | Shaft |
| 2 | | ! | 1 | 1 | Crankshaft |
| | | ➔ | Zz90224 | | |
| 3 | U5MB0018 | ! | 1 | 1 | Kit |
| | | ➔ | U491476 t | | |
| | | ● | U5MB0033(1) | | |
| | | T-A | 18:50 | | |
| 3 | U5MB0018A | ⚡ | (+)0.010" | 1 | Kit |
| | | ! | 1 | | |
| | | ➔ | U491476 t | | |
| | | ● | U5MB0033A(1) | | |
| | | T-A | 18:50 | | |
| 3 | U5MB0018B | ⚡ | (+)0.020" | 1 | Kit |
| | | ! | 1 | | |
| | | ➔ | U491476 t | | |
| | | ● | U5MB0033B(1) | | |
| | | T-A | 18:50 | | |
| 3 | U5MB0018C | ⚡ | (+)0.030" | 1 | Kit |
| | | ! | 1 | | |
| | | ➔ | U491476 t | | |
| | | ● | N.L.A.(1) | | |
| | | T-A | 18:50 | | |

Engine

F/XL Techno Tier 2 (2003-2008) - RP52 - F85 F/GE/XL

RP52\00010997.png

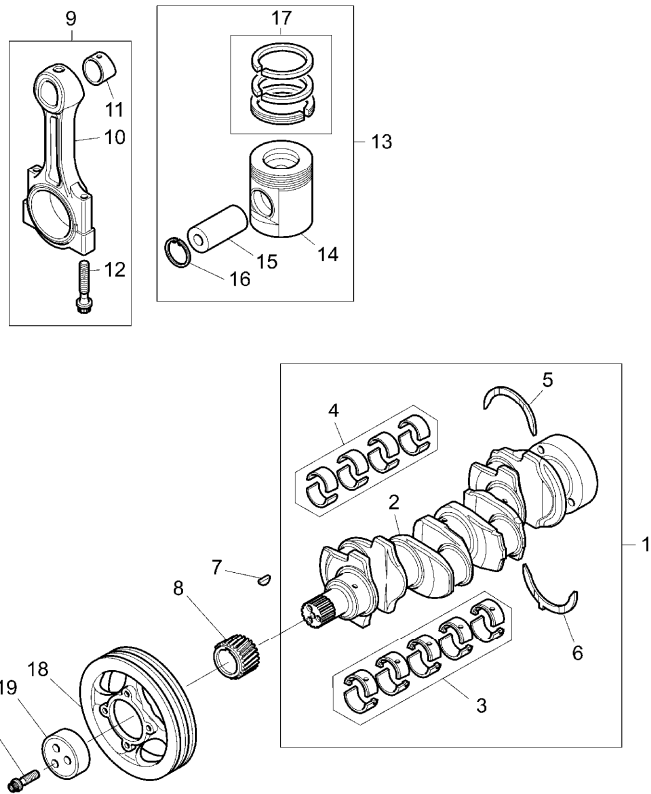
A-05
03



A0503

Crankshaft, pistons and connecting rods

Inglese



3	U5MB0033	!	1	1 Kit
		➔	U491477 t	
3	U5MB0033A	!	1	1 Kit
		⊗	-0,25mm	
		➔	U491477 t	
3	U5MB0033B	!	1	1 Kit
		⊗	-0,50mm	
		➔	U491477 t	
3	U5MB0033C	!	1	1 Kit
		⊗	-0,75mm	
		➔	U491477 t	
		●	N.L.A.(1)	
4	T400002	!	1	1 Kit
		➔	U491477 t	
		●	T410927(1)	
4	U5ME0026	!	1	1 Kit
		➔	U491476 t	
		●	U5ME0034(1)	
		T-A	18:50	
4	U5ME0026A	!	1	1 Kit
		⊗	+0,25mm	
		➔	U491476 t	
		●	U5ME0034A(1)	
		T-A	18:50	

Engine

F/XL Techno Tier 2 (2003-2008) - RP52 - F85 F/GE/XL

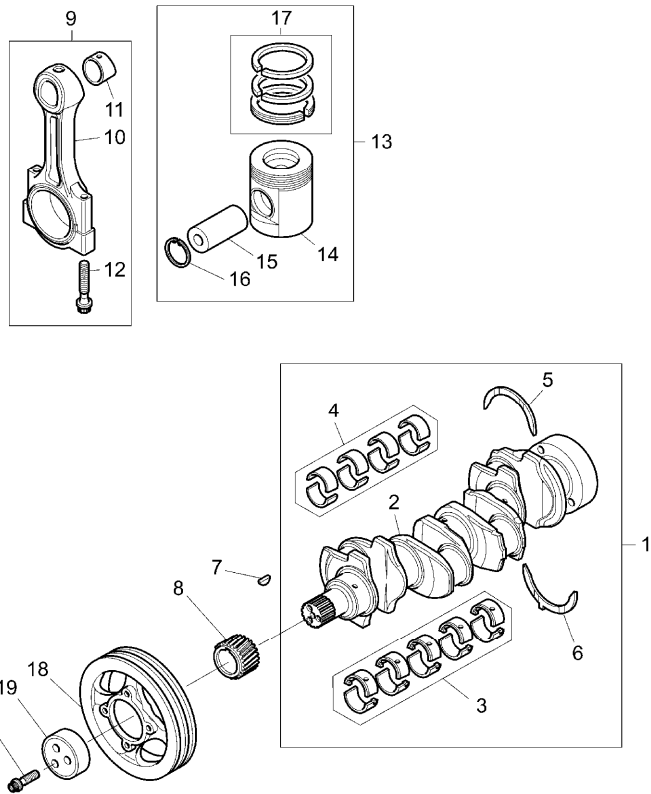
RP52\00010997.png

A-05
03



A0503

Crankshaft, pistons and connecting rods



Inglese

4	U5ME0026B	!	1	1 Kit
		⊗	+0,50mm	
		➔	U491476 t	
		●	U5ME0034B(1)	
		T-A	18:50	
4	U5ME0026C	!	1	1 Kit
		⊗	+0,75mm	
		➔	U491476 t	
		●	U5ME0034C(1)	
		T-A	18:50	
5	31137312	⊗	(+)0.007"	2 Ring
		!	1	
		T-A	18:50	
5	31137551	!	1	2 Washer
		T-A	18:50	
6	31137322	⊗	(+)0.007"	2 Ring
		!	1	
		T-A	18:50	
6	31137561	!	1	2 Washer
		T-A	18:50	
7	0500012			1 Key
8	3117C221	T-A	13:0	1 Gear
9	4115C311	➔	U491476 t	4 Kit
		F		
		T-A	17:0	

Engine

F/XL Techno Tier 2 (2003-2008) - RP52 - F85 F/GE/XL

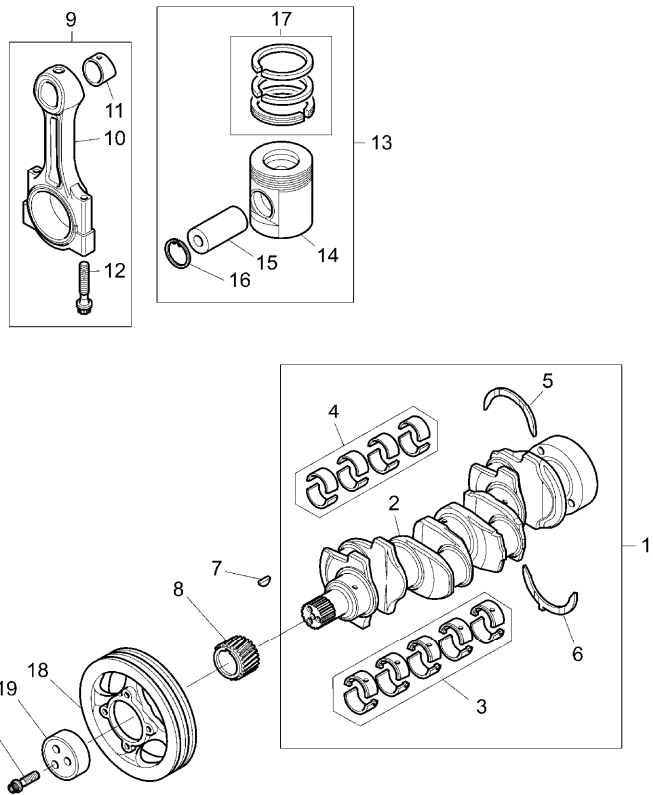
RP52\00010997.png

A-05
03



A0503

Crankshaft, pistons and connecting rods



Inglese

9	4115C312	➡	U491476 t	4	Kit
			E		
			T-A 17:0		
9	4115C313	➡	U491476 t	4	Kit
			D		
			T-A 17:0		
9	4115C314	➡	U491476 t	4	Kit
			C		
			T-A 17:0		
9	4115C315	➡	U491476 t	4	Kit
			B		
			T-A 17:0		
9	4115C316	➡	U491476 t	4	Kit
			A		
			T-A 17:0		
9	4115C361	➡	U491477 t	4	Conrod
			F		
9	4115C362	➡	U491477 t	4	Conrod
			E		
9	4115C363	➡	U491477 t	4	Conrod
			D		
9	4115C364	➡	U491477 t	4	Conrod
			C		
9	4115C365	➡	U491477 t	4	Conrod
			B		

Engine

F/XL Techno Tier 2 (2003-2008) - RP52 - F85 F/GE/XL

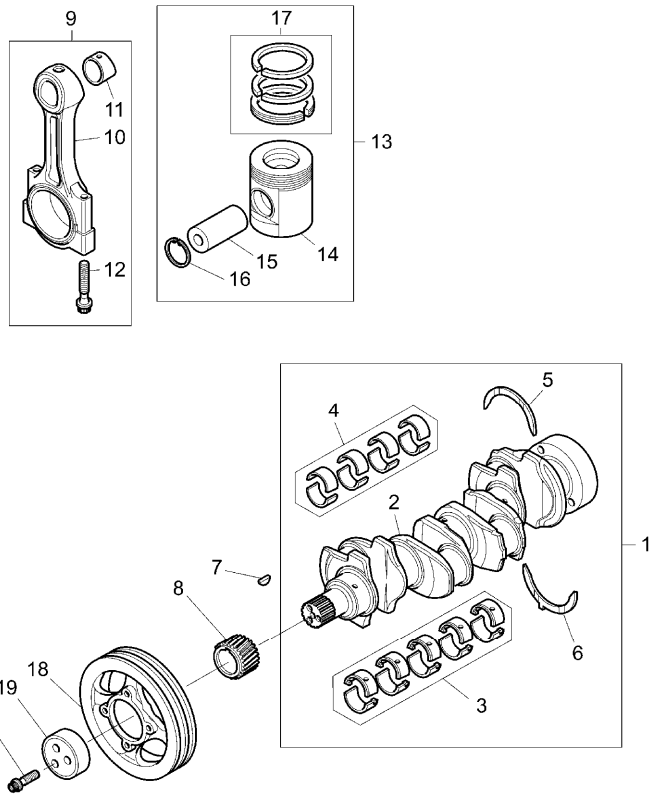
RP52\00010997.png

**A-05
03**



A0503

Crankshaft, pistons and connecting rods



		Inglese	
9	4115C366	➔ U491477 t	4 Conrod
		A	
10		! 9	1 Conrod
		➔ Ref.n.9	
11	3112A005	! 9	1 Bush
		T-A 17:0	
12	3212V003	! 9	2 Screw
		➔ U491476 t	
12	T400001	! 9	2 Screw
		➔ U491477 t	
13	4115P011	T-A 17:0	4 Kit
14		! 13	1 Piston
		➔ 4115p011	
15		! 13	1 Pin
		➔ 4115p011	
16	2721332	! 13	2 Ring
17	UPRK0003	! 13	1 Kit
		(X) 1.2.5.	
		T-A 17:0	
18	3115A141	➔ U491477 t	1 Pulley
18	3115T051	➔ U491476 t	1 Pulley
		T-A 2:0	
19	3241N001	➔ U491476 t	1 Block
		T-A 2:0	
20	32186137	➔ U491476 t	3 Screw
20	32186146	➔ U491477 t	3 Bolt

Engine

A-05
03

Crankshaft, pistons and connecting rods

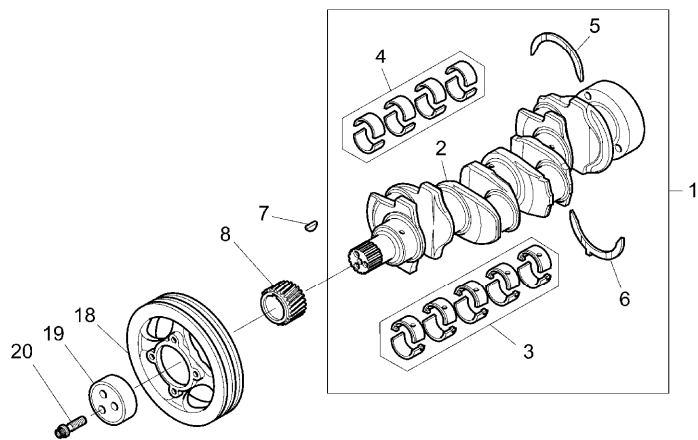
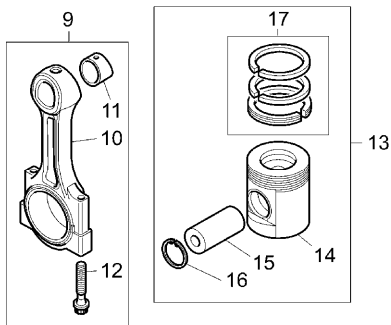
F/XL Techno Tier 2 (2003-2008) - RP52 - F85 F/GE/XL



A0503

RP52\00010997.png

- ! This is a component of an assembly
- ➔ From serial or engine number
- ➡ Up to serial or engine number
- 🛑 Not serviced, order
- ⚡ Shim
- Replacement
- (X) Qty per tractors sold (aa.bbb.ccc.ddd) (aa) for 1,(bbb) 2-10 (ccc) 11-25 (ddd) 26-50
- T-A Replacement
- A Blue
- B Purple
- C Green
- D White
- E Orange
- F Red



Engine

F/XL Techno Tier 2 (2003-2008) - RP52 - F85 F/GE/XL

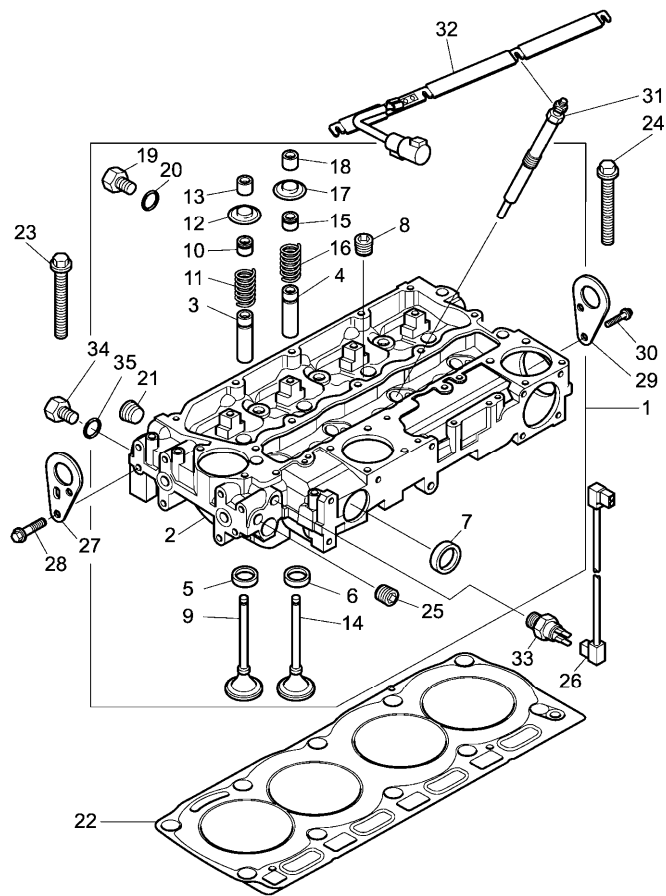
RP52\00010998.png

A-05
04



A0504

Cylinder head



1 ZZ80270

2

3 3313E021

4 3313E021

5 3314A151

6 3314A161

7 32416117

8 0650588

9 3142H071

10 2418M514

11 3174A016

!

Zz80268

!

● 3313A012(4)

T-A 7:50

!

● 3313A012(4)

T-A 7:50

!

● 3314A241(4)

T-A 7:50

!

● 3314A231(4)

T-A 7:50

!

T-A 1:0

!

T-A 0:50

!

T-A 7:50

!

● N.L.S.(4)

T-A 3:0

!

T-A 3:0

Inglese

1 Cylinder head

1 Head

4 Guide

4 Guide

4 Insert

4 Insert

2 Plug

4 Plug

4 Valve

4 Ring

4 Spring

Engine

F/XL Techno Tier 2 (2003-2008) - RP52 - F85 F/GE/XL

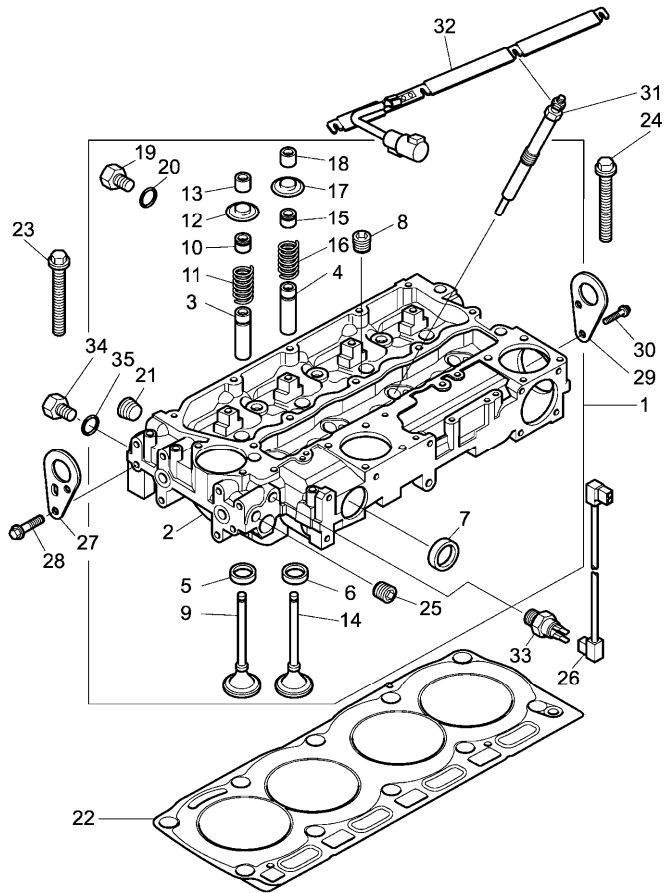
RP52\00010998.png

A-05
04



A0504

Cylinder head



				Inglese
12	3342A011	!	1	4 Cover
		T-A	3:0	
13	3142W004	!	1	8 Cotter
		T-A	3:0	
14	3142A151	!	1	4 Valve
		T-A	7:50	
15	2418M514	!	1	4 Ring
		●	N.L.S.(4)	
		T-A	3:0	
16	3174A016	!	1	4 Spring
		T-A	3:0	
17	3342A011	!	1	4 Cover
		T-A	3:0	
18	3142W004	!	1	8 Cotter
		T-A	3:0	
19	3278A006	!	1	1 Plug
20	2415H003	!	1	1 Ring
21	2431154	!	1	1 Plug
22	3681E046	●	3681E051(1)	1 Gasket
		T-A	4:0	
23	3218A011			7 Screw
24	3218A012			3 Screw
25	2431154			1 Plug
26	3161C018	●	3161C017(1)	1 Cable
		T-A	0:25	
27	3617A015			1 Stirrup

Engine

F/XL Techno Tier 2 (2003-2008) - RP52 - F85 F/GE/XL

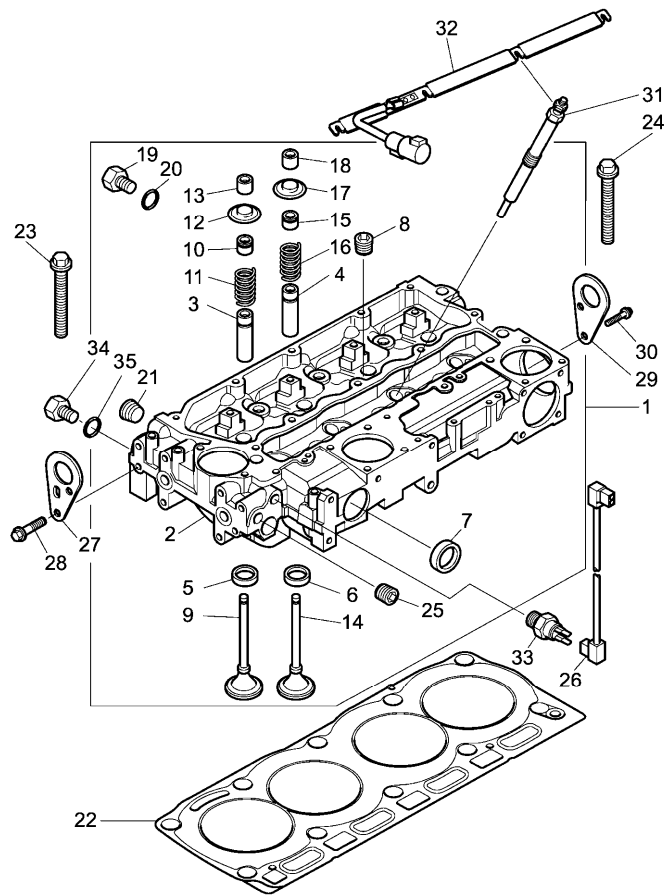
RP52\00010998.png

A-05
04



A0504

Cylinder head



- 28 2314J002
 - 29 3617A015 T-A 3:0
 - 30 2314J002
 - 31 2666A016 T-A 0:75
 - 32 3161C015 ● T409642(1)
T-A 0:75
 - 33 2848A127 T-A 0:25
 - 34 3278A006
 - 35 2415H003
- ! This is a component of an assembly
 ▣ Not serviced, order
 ● Replacement
 T-A Replacement

Inglese

- 2 Screw
- 1 Stirrup
- 2 Screw
- 4 Spark plug
- 1 Bar
- 1 Sensor
- 1 Plug
- 1 Ring

Engine

F/XL Techno Tier 2 (2003-2008) - RP52 - F85 F/GE/XL

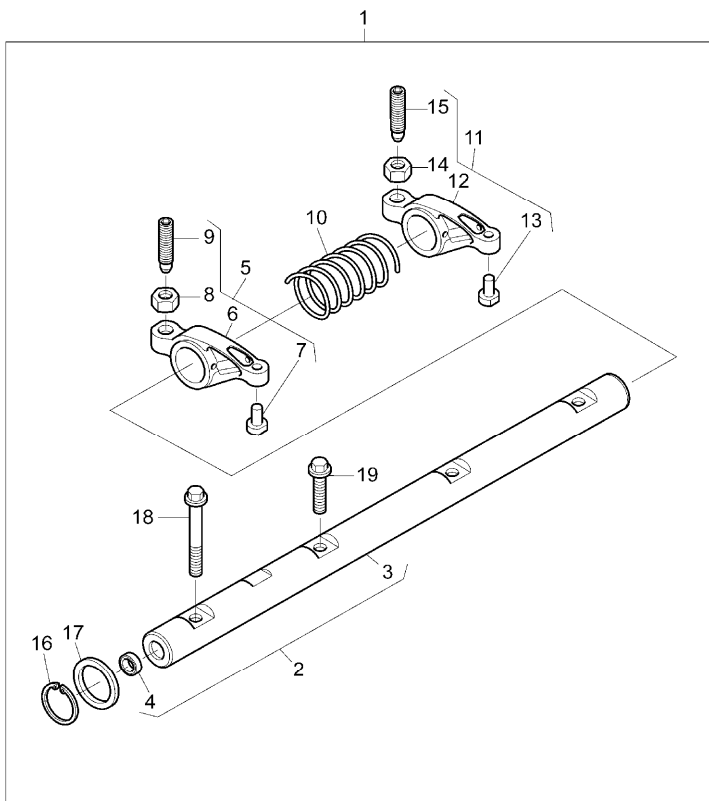
RP52\00010999.png

A-05
05



A0505

Rocker shaft



		Inglese	
1	4115R612	T-A 4:0	1 Shaft
2	4115R703	! 1	1 Shaft
		T-A 4:0	
3		! 2	1 Shaft
		➡ 4115r703	
4	2485A104	! 2	2 Plug
		T-A 4:0	
5	4115R314	! 1	3 Rocker
		T-A 4:0	
6		! 5	1 Rocker
		➡ 4115r314	
7		! 5	1 Shim
		➡ 4115r314	
8	0576052	! 5	1 Nut
9	32114145	! 5	1 Screw
10	3174A015	! 1	2 Spring
		T-A 4:0	
11	4115R315	! 1	3 Rocker
		T-A 4:0	
12		! 11	1 Rocker
		➡ 4115r315	
13		! 11	1 Shim
		➡ 4115r315	
14	0576052	! 11	1 Nut
15	32114145	! 11	1 Screw
		T-A 1:25	

Engine

F/XL Techno Tier 2 (2003-2008) - RP52 - F85 F/GE/XL

RP52\00010999.png

A-05
05



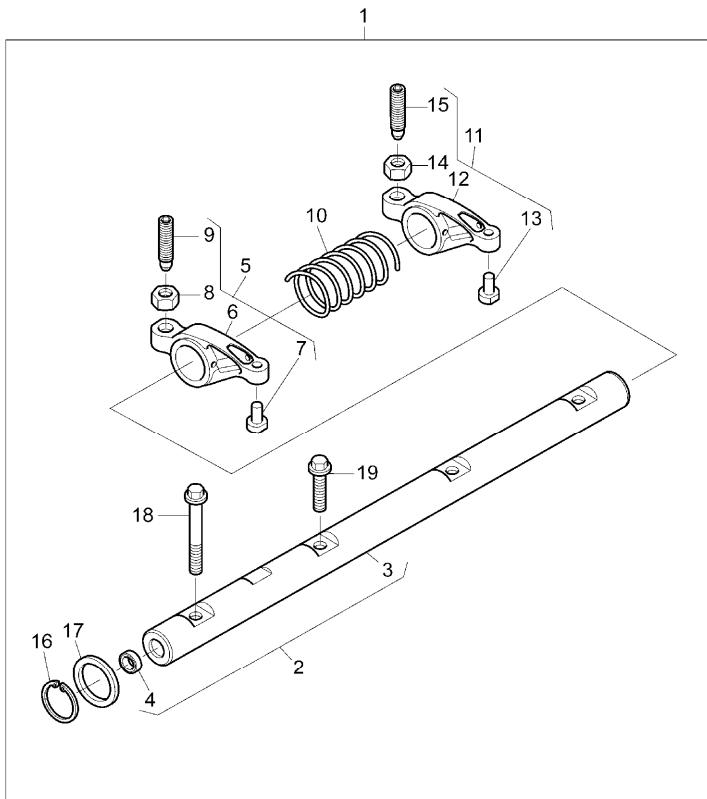
A0505

Rocker shaft

Inglese

16	2722A022	!	1	2	Ring
17	2134A502	!	1	2	Washer
			T-A	4:0	
18	2316A901	!	1	1	Screw
19	2316A902	!	1	2	Screw

- ! This is a component of an assembly
- Not serviced, order
- T-A Replacement



Engine

F/XL Techno Tier 2 (2003-2008) - RP52 - F85 F/GE/XL

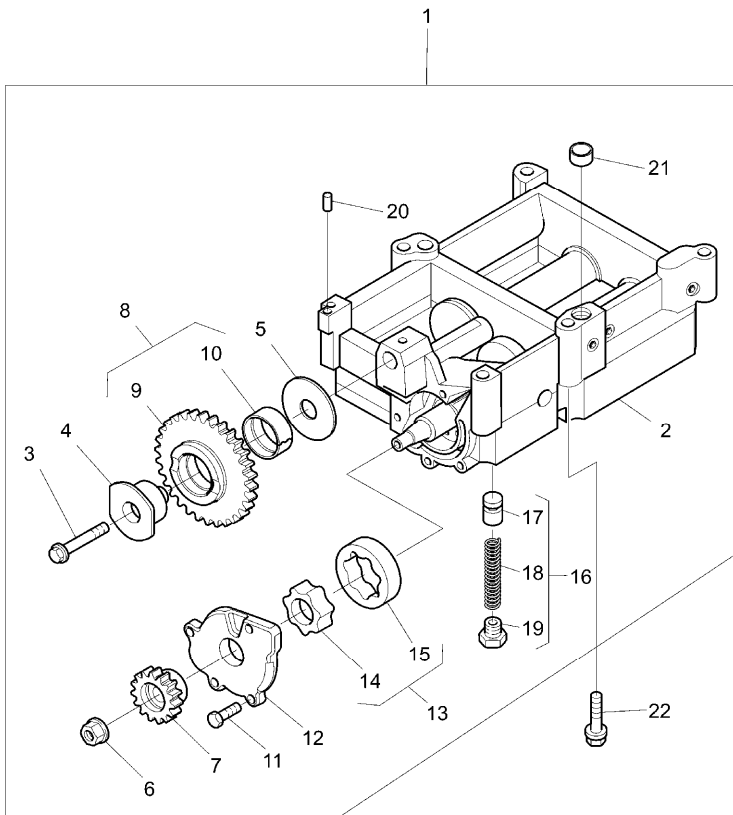
RP52\00011001.png

A-05
07



A0507

Oil pump



		Inglese	
1	4111K073	T-A 4:0 T-B 5:0	1 Balancer
2	!	1	1 Frame
	➡	4111k073	
3	2314H951	!	1 Screw
4	3272A018	!	1 Shaft
	●	3272A022(1)	
5	3321A006	T-A 5:0	1 Washer
6	2318F605	!	1 Nut
7	3117A101	!	1 Gear
8	4111A029	T-A 5:0	1 Gear
9	!	8	1 Gear
	➡	4111a029	
10	3112D031	!	1 Cuscinet
	●	N.L.A.(1)	
11	2314C945	T-A 5:0	5 Screw
12	3753R351	!	1 Cover
	T-A 5:0		
13	4111K068	!	1 Rotor
	T-A 5:0		

Engine

F/XL Techno Tier 2 (2003-2008) - RP52 - F85 F/GE/XL

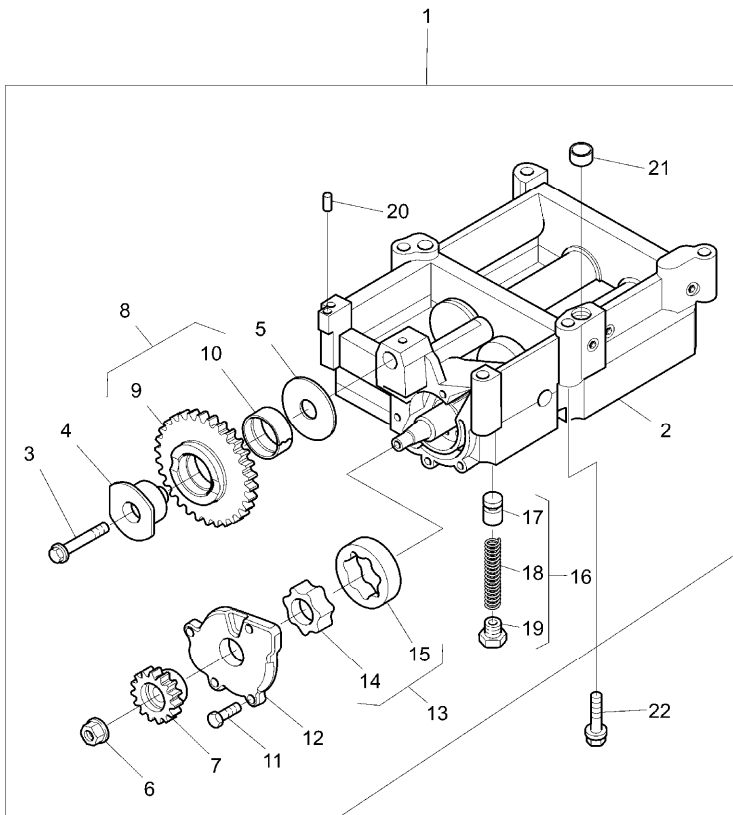
RP52\00011001.png

A-05
07



A0507

Oil pump



		Inglese	
14	!	13	1 Rotor
	▶	4111k068	
15	!	13	1 Rotor
	▶	4111k068	
16	U5MK0695	!	1 Valve
	T-A	5:0	
17	3245A002	!	1 Contact
	T-A	5:0	
18	3174A021	!	1 Spring
	T-A	5:0	
19	3218A013	!	1 Plug
20	3244A013	!	1 Dowel
21	33137409	!	1 Thimble
22	2314J012		6 Screw
!		This is a component of an assembly	
▶		Not serviced, order	
●		Replacement	
T-A		Replacement	
T-B		Overhaul	

Engine

F/XL Techno Tier 2 (2003-2008) - RP52 - F85 F/GE/XL

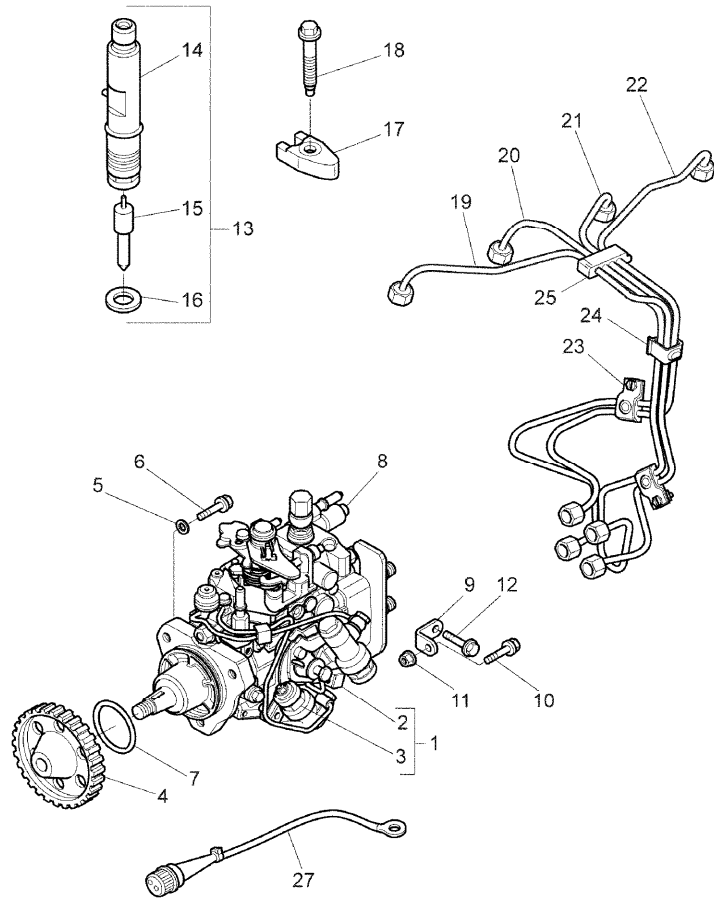
RP52\00011066.png

A-05
08



A0508

Fuel injection equipment (diesel)



		Inglese	
1	2644N203	➔ U128374I ● N.L.S.(1)	1 Pump
1	2644N203/22	➔ U128375I ● N.L.S.(1) 2200 rpm T-A 5:0	1 Pump
2		! 1 ➔ Ref.n.1	1 Pump
3	26420518	! 1 (X) 0.1.3. T-A 0:75	1 Solenoid
4	3117L251	T-A 4:50	1 Gear
5	2411D008		3 Washer
6	2314H004		3 Screw
7	2415787	T-A 4:50	1 Ring
8	2487D002	T-A 0:25	1 Cover
9	3641A007		1 Stirrup
10	2314H003		1 Screw
11	2318A603		1 Nut
12	2314J002		1 Screw
13	2645K013	T-A 2:0	4 Atomiser
14		! 13 ➔ 2645k013	1 Atomiser

Engine

F/XL Techno Tier 2 (2003-2008) - RP52 - F85 F/GE/XL

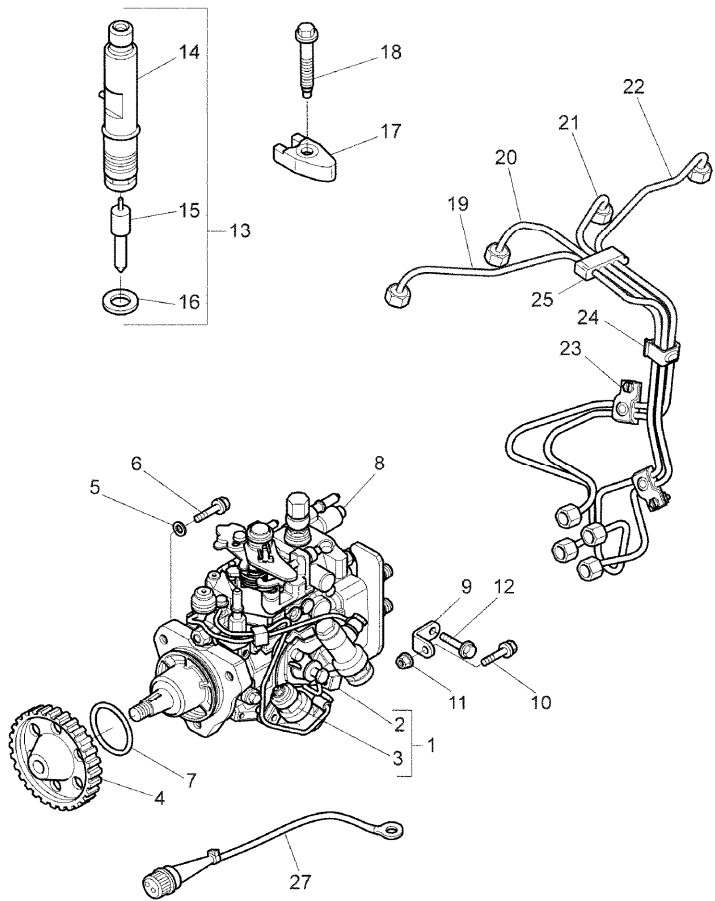
A-05
08



A0508

Fuel injection equipment (diesel)

RP52\00011066.png



			Inglese
15	2645K613	! 13 (X) 2.5.8.1 T-A 2:0	1 Nozzle
16	L311FF02	! 13 T-A 2:0	1 Washer
17	3751A241	T-A 2:0	4 Clamp
18	2314W009		4 Screw
19	3525A091	T-A 0:25	1 Pipe
20	3525A092	T-A 0:25	1 Pipe
21	3525A093	T-A 0:25	1 Pipe
22	3525A094	T-A 0:25	1 Pipe
23	2481Y011		2 Clip
24	2481Y012		1 Clip
25	2646E019		1 Clip
26	2481D221	B	1 Clip
27	3673286M91		1 Cable
! This is a component of an assembly			
➔ From serial or engine number			
➡ Up to serial or engine number			
🛠 Not serviced, order			
● Replacement			
(X) Qty per tractors sold (aa.bbb.ccc.ddd) (aa) for 1,(bbb) 2-10 (ccc) 11-25 (ddd) 26-50			
T-A Replacement			
B Not illustrated			

Engine

F/XL Techno Tier 2 (2003-2008) - RP52 - F85 F/GE/XL

RP52\00009132.png

**A-05
085**



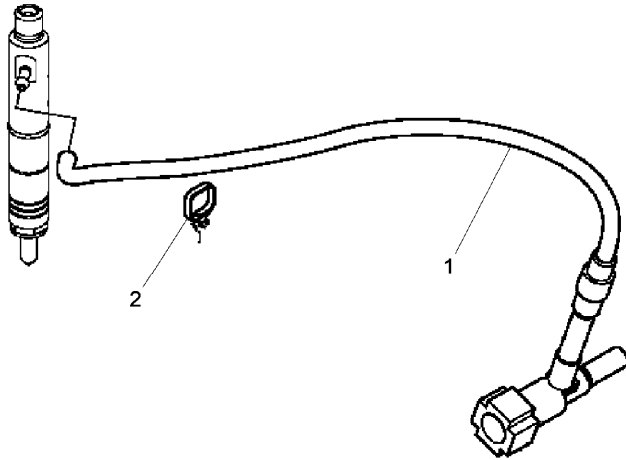
A05085

Fuel pipe

Inglese

- ➡ U180229 I
- 1 3584A015
- 2 2817A001
- ➡ From serial or engine number

- 1 Pipe
- 1 Clip



Engine

F/XL Techno Tier 2 (2003-2008) - RP52 - F85 F/GE/XL

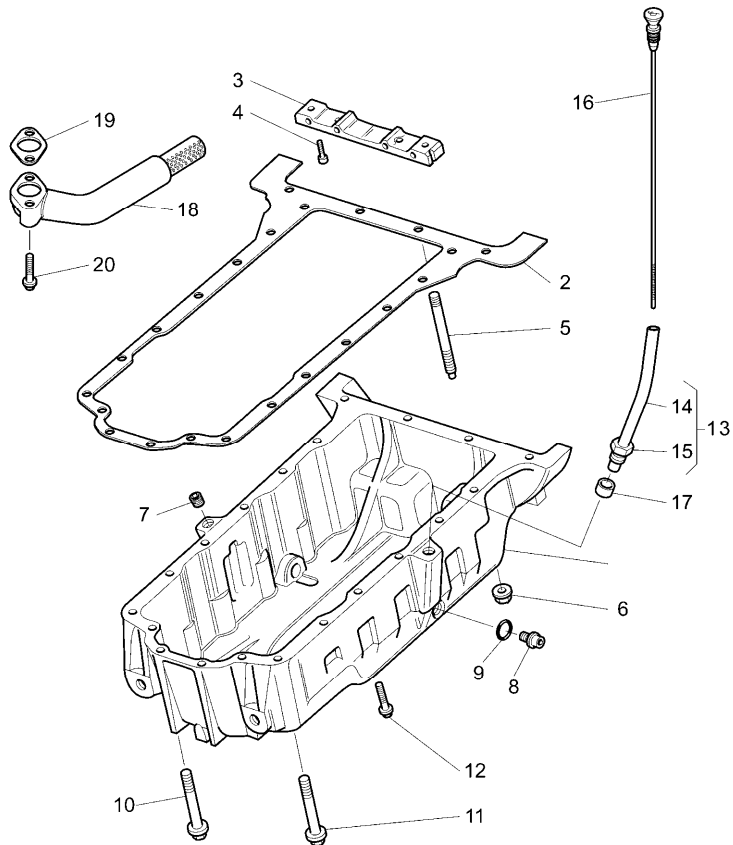
RP52\00011008.png

**A-05
09**



A0509

Lubricating oil sump



1	3717E271	T-A	2:0
2	3681K036	(X)	1.2.3.
		T-A	2:0
3	3627P041	T-A	2:0
4	2311D039		
5	3211P013		
6	2318A603		
7	2431A016		
8	32186405		
9	2415715		
10	2314H023		
11	2314H022	●	2314H052(1)
12	2314H015		
13	3577A125	T-A	0:25
14		!	13
		▣	3577a125
15	3353D005	!	13
16	3178C081	(X)	1.2.4.
		T-A	0:25
17	33812116	T-A	0:25
18	3765A091	T-A	2:25
19	36832137	T-A	2:25
20	2314H006		

Inglese

1	Crankcase
1	Gasket
1	Crosspiece
2	Screw
2	Stud
2	Nut
1	Plug
2	Plug
2	Ring
5	Screw
1	Screw
12	Screw
1	Pipe
1	Pipe
1	Nut
1	Rod
1	Olive
1	Pipe
1	Gasket
2	Screw

! This is a component of an assembly
 ▣ Not serviced, order

Engine

F/XL Techno Tier 2 (2003-2008) - RP52 - F85 F/GE/XL

A-05
09

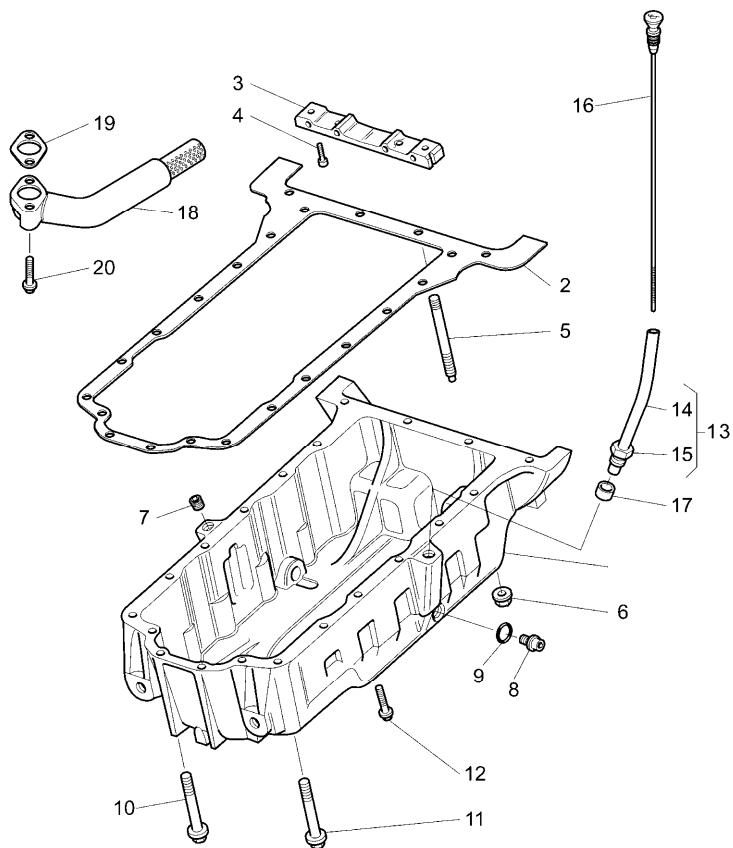


A0509

Lubricating oil sump

RP52\00011008.png

- Replacement
- (X) Qty per tractors sold (aa.bbb.ccc.ddd) (aa) for 1,(bbb) 2-10 (ccc) 11-25 (ddd) 26-50
- T-A Replacement



Engine

F/XL Techno Tier 2 (2003-2008) - RP52 - F85 F/GE/XL

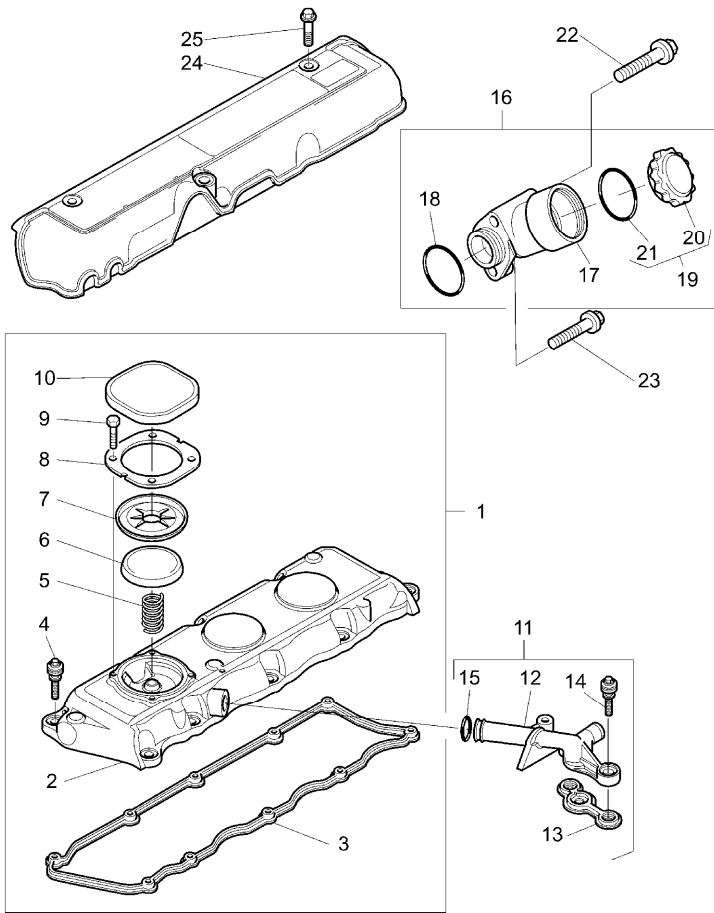
RP52\00011003.png

A-05
10



A0510

Lubricating oil filler and breather



		Inglese	
1	4142X291	● T417513(1) T-A 1:0	1 Cover
2		! 1	1 Cover
3	3681A055	➡ 4142x291 ! 1 (X) 0.1.3. T-A 1:0	1 Gasket
4	2161A011	! 1	10 Screw
5	3174A017	● 2161A013(10) ! 1 T-A 0:50	1 Spring
6	3788A002	! 1 T-A 0:25	1 Cap
7	3789A001	! 1 T-A 0:25	1 Diaphragm
8	3615A009	! 1 T-A 0:25	1 Plate
9	2151A001	! 1	4 Screw
10	3788A003	! 1 T-A 0:25	1 Cap
11	4134K014	● 2314F005(10), 4134K021(1) T-A 0:50	1 Pipe
12		! 11 ➡ 4134k014	1 Pipe

Engine

F/XL Techno Tier 2 (2003-2008) - RP52 - F85 F/GE/XL

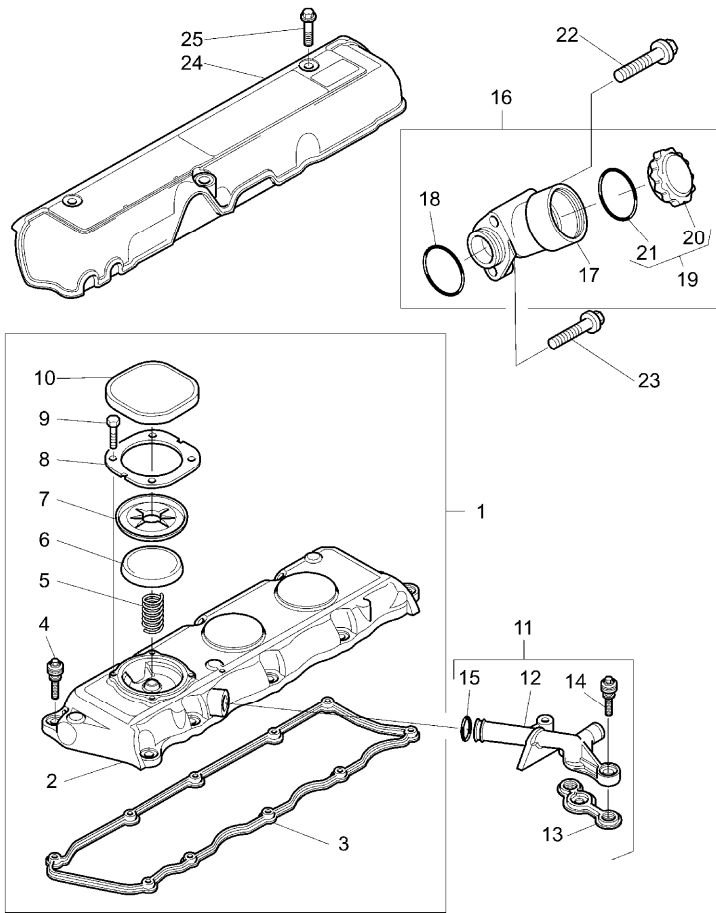
RP52\00011003.png

**A-05
10**



A0510

Lubricating oil filler and breather



		Inglese	
13	3688A038	! 11	1 Ring
		T-A 0:50	
14	2161A011	! 11	2 Screw
		● 2161A013(2)	
15	2415A068	! 11	1 Ring
		T-A 0:50	
16	4134C043	● 4134C072(1)	1 Filler
17		▣ 4134c043	1 Body
		! 16	
18	2415B148	! 16	1 Ring
		T-A 0:25	
19	4142X098	! 16	1 Plug
		(X) 1.3.5.	
		T-A 0:25	
20		▣ 4142x098	1 Plug
		! 19	
21	2415633	! 19	1 O ring
		T-A 0:25	
22	2314H011	● 2314K161(1)	1 Screw
23	2314H005		1 Screw
24	3788N003	T-A 0:50	1 Cover
25	2314F003		3 Screw
	!	This is a component of an assembly	
	▣	Not serviced, order	
	●	Replacement	
	(X)	Qty per tractors sold (aa.bbb.ccc.ddd) (aa) for 1,(bbb) 2-10 (ccc) 11-25 (ddd) 26-50	



Suggest:

For more complete manuals. Please go to the home page.

<https://www.ebooklibonline.com>

If the above button click is invalid. Please download this document first, and then click the above link to download the complete manual.

Thank you so much for reading

Engine

F/XL Techno Tier 2 (2003-2008) - RP52 - F85 F/GE/XL

RP52\00011003.png

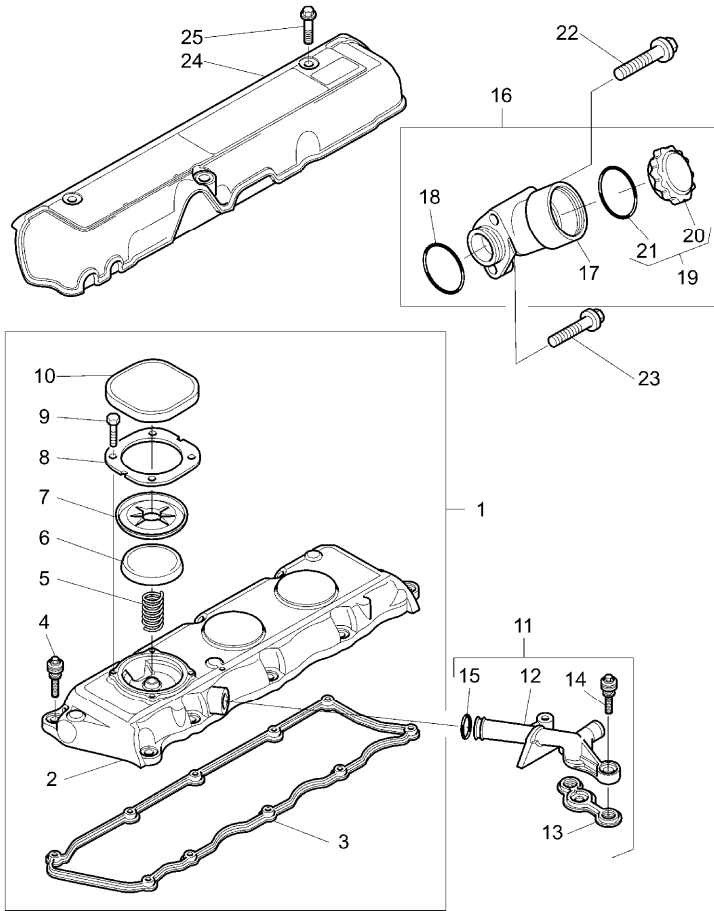
A-05
10



A0510

Lubricating oil filler and breather

T-A Replacement



Engine

F/XL Techno Tier 2 (2003-2008) - RP52 - F85 F/GE/XL

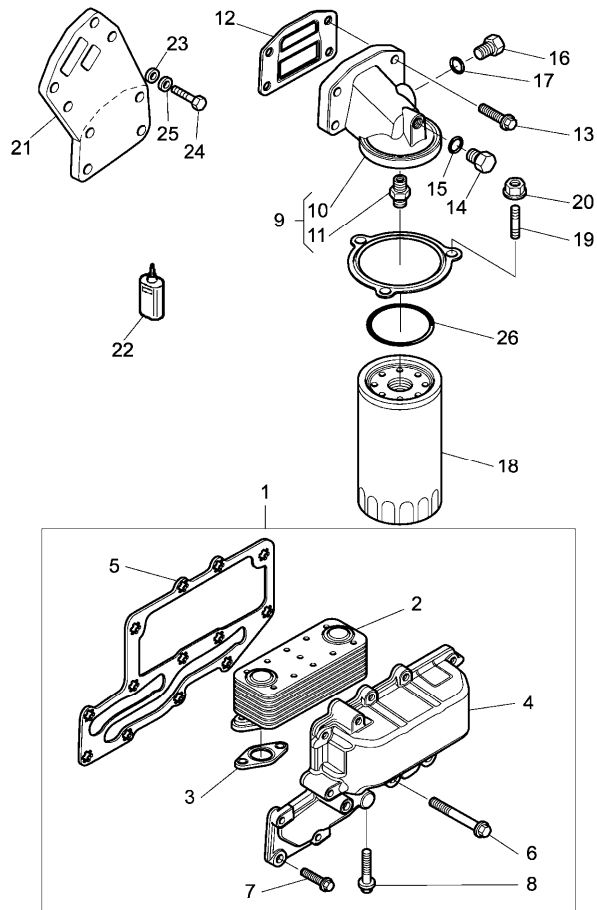
RP52\000014761.png

A-05
11



A0511

Heat exchanger and lubricating oil filter



		Inglese	
1	4134W003	● 3525A157(1), 4134W027(1) T-A 1:0	1 Exchanger
2	2486A215	! 1 T-A 1:0	1 Exchanger
3	3685A025	! 1 T-A 1:0	2 Ring
4		! 1 ➡ Ref.n.1	1 Exchanger
5	3685A024	! 1 ● 3685A033(1) (X) T-A 1:0	1 Ring
6	2314K161	! 1	3 Screw
7	2314H004	! 1	10 Screw
8	2314H006	! 1	4 Screw
9	4134E058	● 3773A061(1) T-A 0:50	1 Head
10		! 9 ➡ Ref.n.9	1 Head
11	33554128	! 9	1 Union
12	3688A039	T-A 0:50	1 Gasket
13	2314H034		4 Screw
14	3278A007		1 Plug
15	2415H009	T-A 0:25	1 O ring
16	3278A004		1 Plug

<https://www.ebooklibonline.com>

Hello dear friend!

Thank you very much for reading.

Enter the link into your browser.

The full manual is available for immediate download.

<https://www.ebooklibonline.com>