

Engine

A-05
01

Engine assembly

F/XL Techno Tier 2 (2003-2008) - RP52 - F75 F/GE/XL



A0501

RP52\00010996.png

Inglese

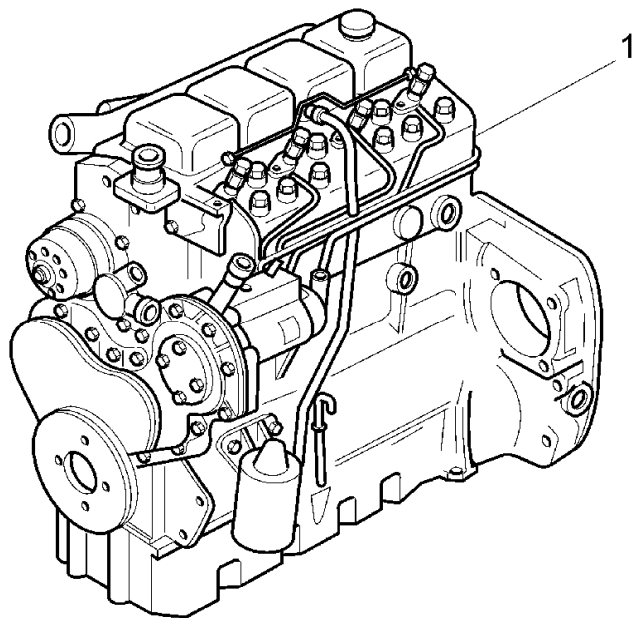
1 3675502M93 "perkins - re38102 1 Engine

T-A 10:50

T-B 30:50

T-A Replacement

T-B Overhaul



Engine

F/XL Techno Tier 2 (2003-2008) - RP52 - F75 F/GE/XL

RP52\00002787.png

A-05
011



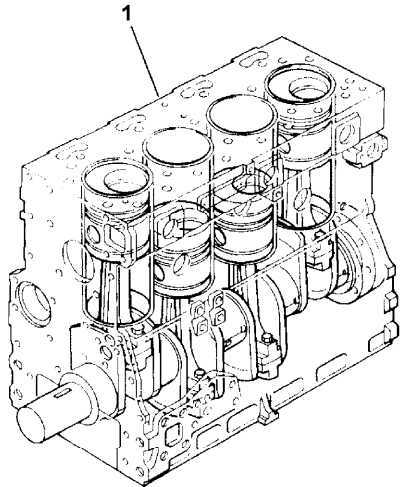
A05011

Short engine

Inglese

- | | | | | | |
|---|---------|-----|----------------------------------|---|--------------|
| 1 | RE40002 | ➔ | U491476 t | 1 | Engine |
| | | ● | 3115A141(1), 32186146(3), RE4 | | |
| | | T-A | 30:0 | | |
| 1 | RE40021 | ➔ | U491477 t | 1 | Short engine |

- ➔ From serial or engine number
- ➔ Up to serial or engine number
- Replacement
- T-A Replacement



Engine

F/XL Techno Tier 2 (2003-2008) - RP52 - F75 F/GE/XL

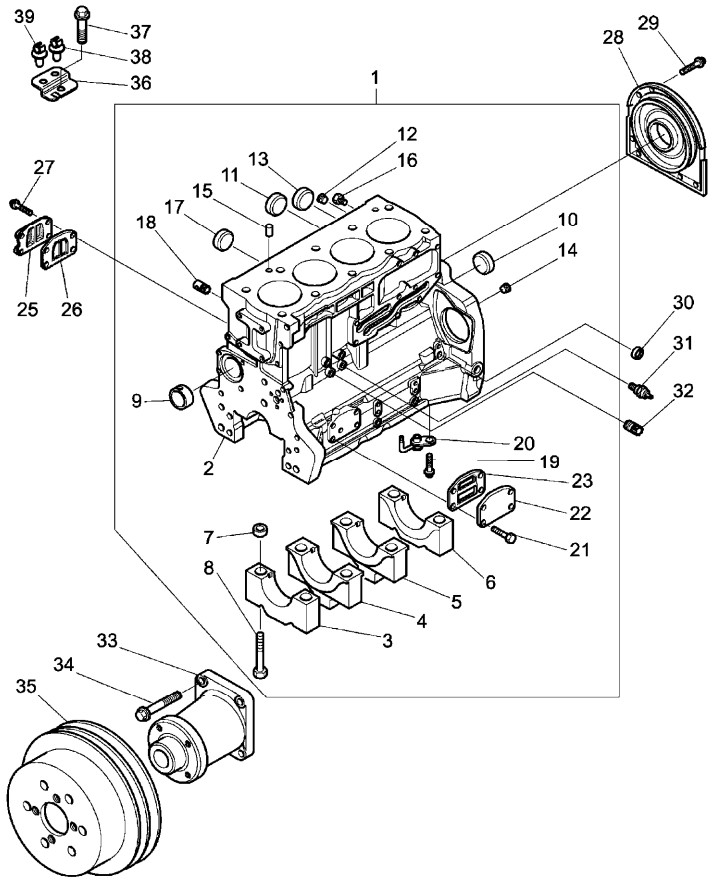
RP52\000014756.png

A-05
02



A0502

Cylinder block



| | | Inglese |
|----|----------|---------------------------------|
| 1 | ZZ50312 | ● ZZ50325(1) 1 Kit |
| 2 | | T-A 30:50 ! 1 1 Cylinder |
| 3 | | ➤ Ref.n.1 ! 1 1 Bearing |
| 4 | | ➤ Ref.n.1 ! 1 1 Bearing |
| 5 | | ➤ Ref.n.1 ! 1 1 Bearing |
| 6 | | ➤ Ref.n.1 ! 1 1 Bearing |
| 7 | | ➤ Ref.n.1 ! 1 10 Manicott |
| 8 | 32166329 | ! 1 10 Screw |
| 9 | 3112D071 | ! 1 1 Bush |
| 10 | 3241A012 | ● 3112D075(1) ! 1 1 Plug |
| 11 | 3241A011 | ! 1 2 Plug |
| 12 | 0650588 | ! 1 1 Plug |
| 13 | 0650710 | ! 1 1 Plug |
| 14 | 3212P008 | ! 1 1 Plug |
| 15 | 3244A009 | ! 1 2 Dowel |
| 16 | 32141316 | ! 1 2 Plug |
| 17 | 2485A108 | ! 1 1 Plug |

<https://www.ebooklibonline.com>

Hello dear friend!

Thank you very much for reading.

Enter the link into your browser.

The full manual is available for immediate download.

<https://www.ebooklibonline.com>

Engine

F/XL Techno Tier 2 (2003-2008) - RP52 - F75 F/GE/XL

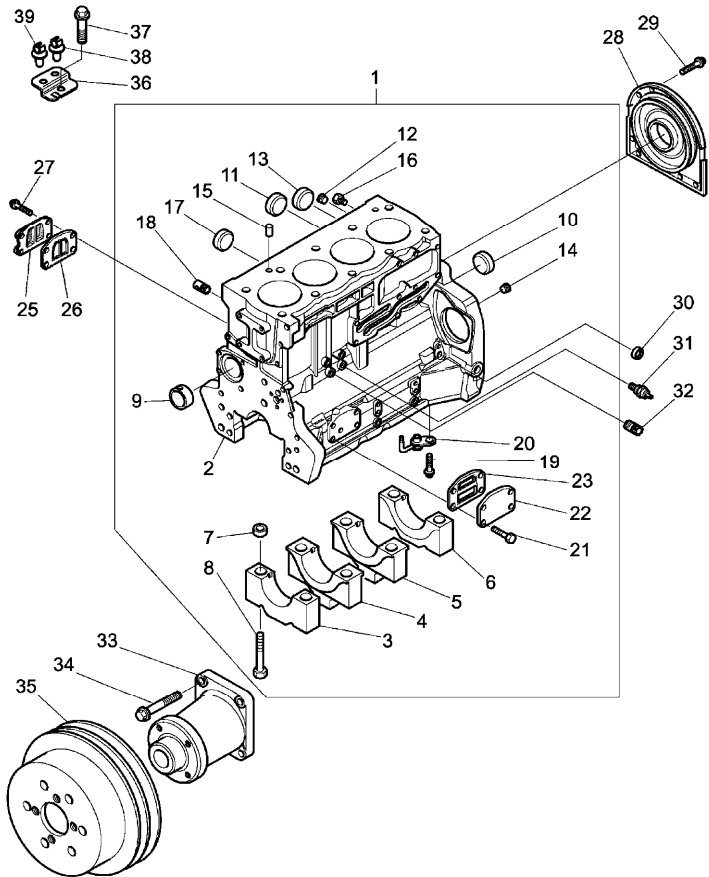
RP52\000014756.png

A-05
02



A0502

Cylinder block



| | | | Inglese |
|----|----------|---------------|------------|
| 18 | 3212V006 | ! 1 | 1 Plug |
| 19 | 2314F001 | ! 1 | 4 Screw |
| 20 | 2113A001 | ! 1 | 4 Atomiser |
| | | ● 2113A003(4) | |
| 21 | 2314H033 | ! 1 | 4 Screw |
| 22 | 3623A009 | ! 1 | 1 Plate |
| | | T-A 0:50 | |
| 23 | 3688A039 | ! 1 | 1 Gasket |
| | | T-A 0:50 | |
| 25 | 3753A071 | | 1 Coperch. |
| 26 | 3688A041 | T-A 0:50 | 1 Ring |
| 27 | 2314H034 | | 4 Screw |
| 28 | 2418F704 | (X) 0.1.3. | 1 Housing |
| | | T-A 11:0 | |
| 29 | 3211C002 | | 10 Screw |
| 30 | 2485A109 | | 1 Plug |
| 31 | 2848062 | ● 4172E054(1) | 1 Switch |
| | | A | |
| | | T-A 0:25 | |
| 32 | 3212V005 | | 1 Plug |
| 33 | 4113K005 | T-A 2:0 | 1 Housing |
| 34 | 2314J005 | | 4 Screw |
| 35 | 3115C111 | T-A 2:0 | 1 Pulley |
| 36 | 3651A016 | T-A 2:0 | 1 Support |
| 37 | 2314H002 | | 1 Screw |

Engine

A-05
02

Cylinder block




F/XL Techno Tier 2 (2003-2008) - RP52 - F75 F/GE/XL

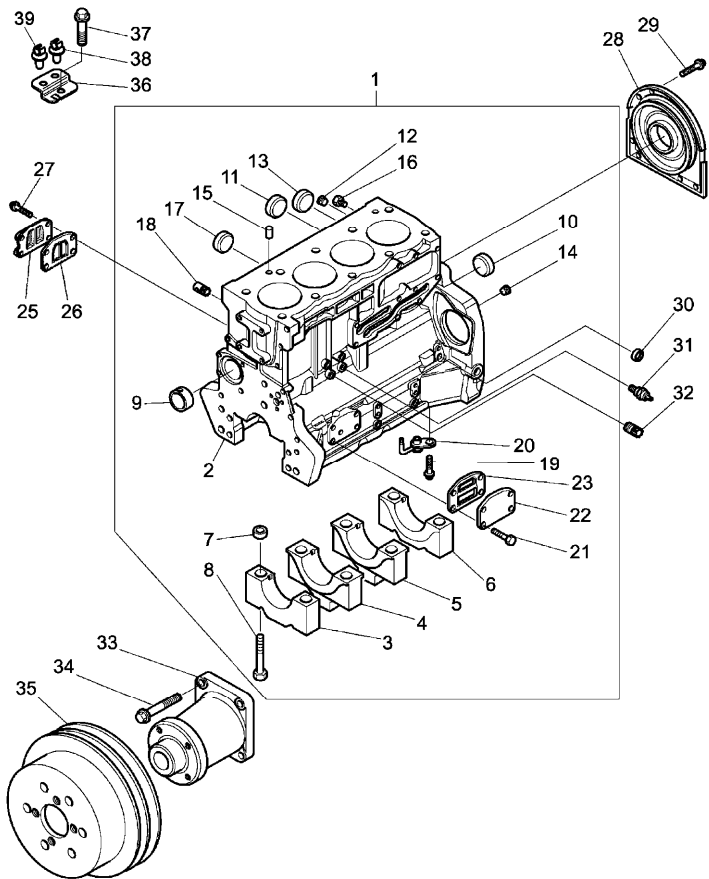


A0502

RP52\000014756.png

Inglese

- 38 2481D556  2481D558(1) 1 Clip
- 39 2481D558 1 Clip
- ! This is a component of an assembly
-  Not serviced, order
-  Replacement
- (X) Qty per tractors sold (aa.bbb.ccc.ddd) (aa) for 1,(bbb) 2-10 (ccc) 11-25 (ddd) 26-50
- T-A Replacement
- A Oil pressure



Engine

F/XL Techno Tier 2 (2003-2008) - RP52 - F75 F/GE/XL

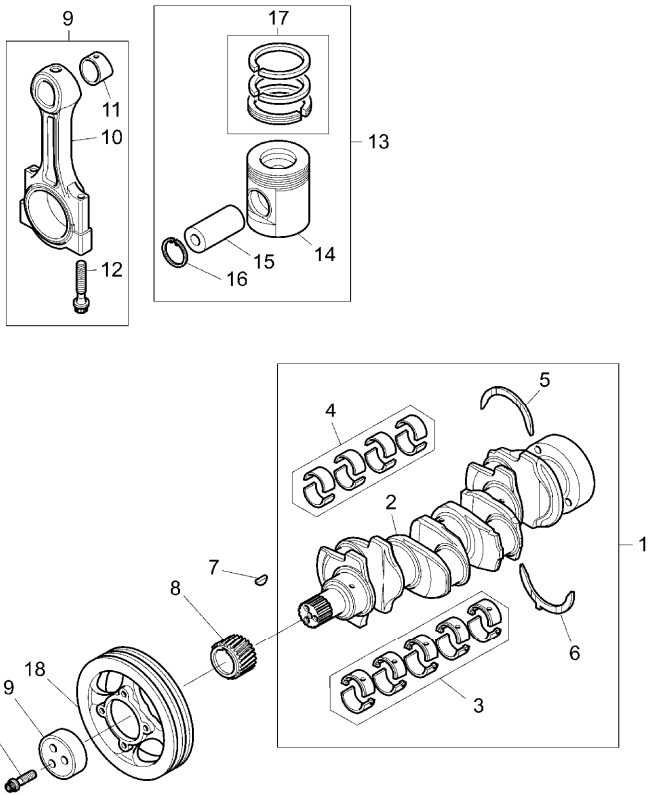
RP52\00010997.png

**A-05
03**



A0503

Crankshaft, pistons and connecting rods



Inglese

- | | | | | | |
|---|-----------|-----|--------------|---|------------|
| 1 | ZZ90224 | ➡ | U491476 t | 1 | Kit |
| | | ● | ZZ90239(1) | | |
| | | T-A | 18:50 | | |
| 1 | ZZ90237 | ➡ | U491477 t | 1 | Shaft |
| 2 | | ! | 1 | 1 | Crankshaft |
| | | ➡ | Zz90224 | | |
| 3 | U5MB0018 | ! | 1 | 1 | Kit |
| | | ● | U5MB0033(1) | | |
| | | T-A | 18:50 | | |
| 3 | U5MB0018A | ⚡ | (+)0.010" | 1 | Kit |
| | | ! | 1 | | |
| | | ● | U5MB0033A(1) | | |
| | | T-A | 18:50 | | |
| 3 | U5MB0018B | ⚡ | (+)0.020" | 1 | Kit |
| | | ! | 1 | | |
| | | ● | U5MB0033B(1) | | |
| 3 | U5MB0018C | ⚡ | (+)0.030" | 1 | Kit |
| | | ! | 1 | | |
| | | ● | N.L.A.(1) | | |
| | | T-A | 18:50 | | |
| 4 | U5ME0013 | ! | 1 | 1 | Kit |
| | | ● | U5ME0034(1) | | |
| | | T-A | 18:50 | | |

Engine

F/XL Techno Tier 2 (2003-2008) - RP52 - F75 F/GE/XL

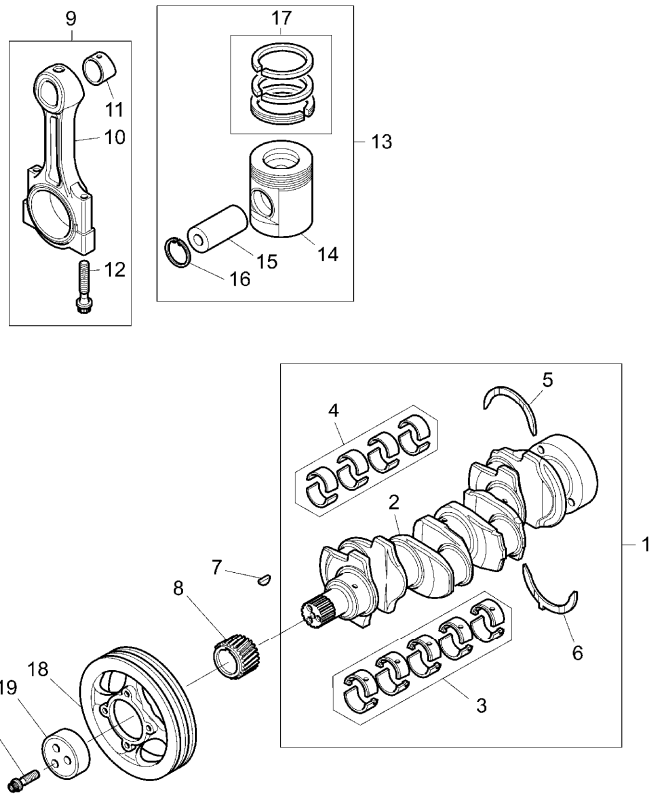
RP52\00010997.png

A-05
03



A0503

Crankshaft, pistons and connecting rods



Inglese

| | | | | | |
|---|-----------|-------------|-----|--------------|----------|
| 4 | U5ME0013A | ✂ (+)0.010" | ! | 1 | 1 Kit |
| | | | ● | U5ME0034A(1) | |
| | | | T-A | 18:50 | |
| 4 | U5ME0013B | ✂ (+)0.020" | ! | 1 | 1 Kit |
| | | | ● | U5ME0034B(1) | |
| | | | T-A | 18:50 | |
| 4 | U5ME0013C | ✂ (+)0.030" | ! | 1 | 1 Kit |
| | | | ● | U5ME0034C(1) | |
| | | | T-A | 18:50 | |
| 5 | 31137312 | ✂ (+)0.007" | ! | 1 | 2 Ring |
| | | | T-A | 18:50 | |
| 5 | 31137551 | ! | ! | 1 | 2 Washer |
| | | | T-A | 18:50 | |
| 6 | 31137322 | ✂ (+)0.007" | ! | 1 | 2 Ring |
| | | | T-A | 18:50 | |
| 6 | 31137561 | ! | ! | 1 | 2 Washer |
| | | | T-A | 18:50 | |
| 7 | 0500012 | | | | 1 Key |
| 8 | 3117C221 | T-A | | 13:0 | 1 Gear |

Engine

F/XL Techno Tier 2 (2003-2008) - RP52 - F75 F/GE/XL

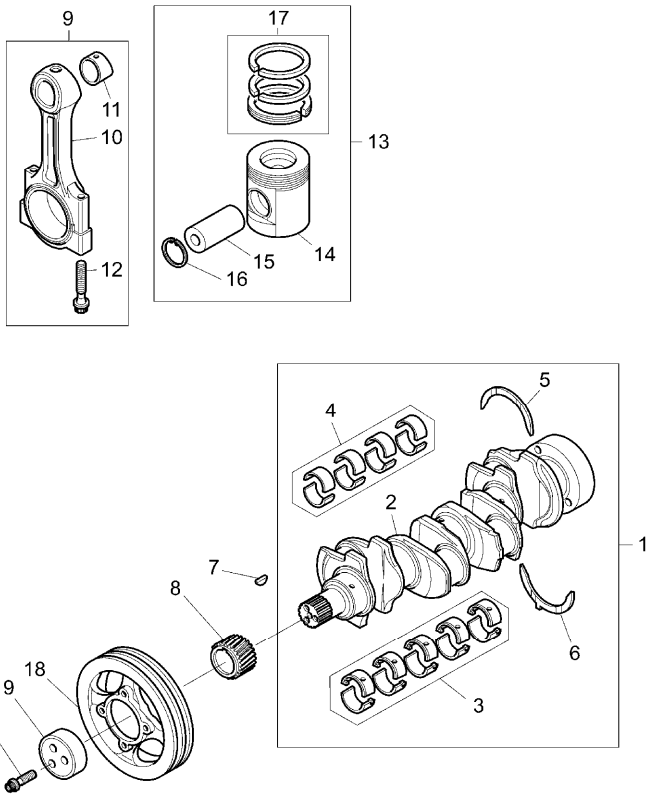
RP52\00010997.png

A-05
03



A0503

Crankshaft, pistons and connecting rods



Inglese

| | | | | | |
|---|----------|---|-----------|---|--------|
| 9 | 4115C311 | ➔ | U491477 t | 4 | Kit |
| | | | F | | |
| | | | T-A 17:0 | | |
| 9 | 4115C312 | ➔ | U491477 t | 4 | Kit |
| | | | E | | |
| | | | T-A 17:0 | | |
| 9 | 4115C313 | ➔ | U491477 t | 4 | Kit |
| | | | G | | |
| 9 | 4115C314 | ➔ | U491477 t | 4 | Kit |
| | | | C | | |
| | | | T-A 17:0 | | |
| 9 | 4115C315 | ➔ | U491477 t | 4 | Kit |
| | | | B | | |
| | | | T-A 17:0 | | |
| 9 | 4115C316 | ➔ | U491477 t | 4 | Kit |
| | | | A | | |
| | | | T-A 17:0 | | |
| 9 | 4115C361 | ➔ | U491478 t | 4 | Conrod |
| | | | F | | |
| 9 | 4115C362 | ➔ | U491478 t | 4 | Conrod |
| | | | E | | |
| 9 | 4115C363 | ➔ | U491478 t | 4 | Conrod |
| | | | G | | |
| 9 | 4115C364 | ➔ | U491478 t | 4 | Conrod |
| | | | C | | |

Engine

F/XL Techno Tier 2 (2003-2008) - RP52 - F75 F/GE/XL

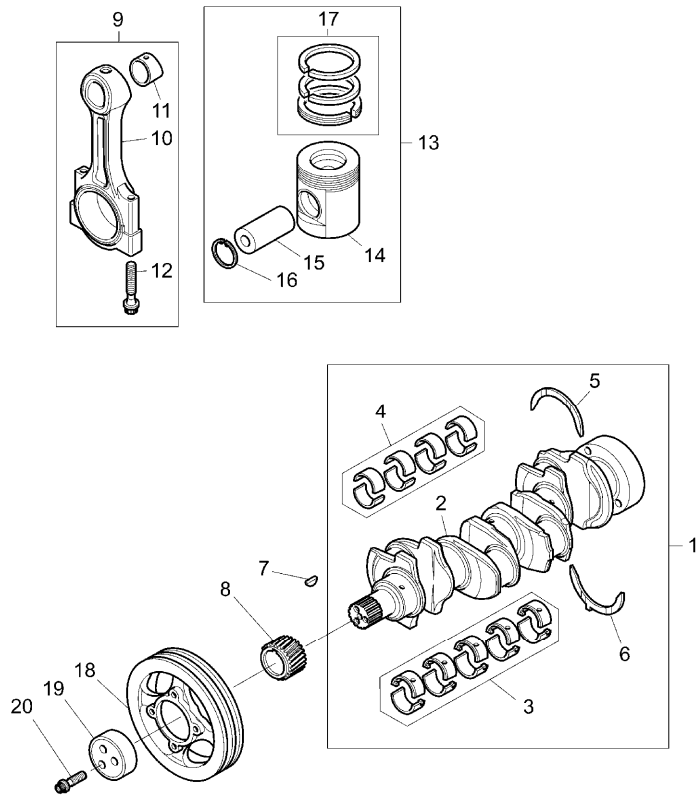
RP52\00010997.png

A-05
03



A0503

Crankshaft, pistons and connecting rods



Inglese

| | | | | | |
|----|----------|-----|-----------|---|--------|
| 9 | 4115C365 | ➡ | U491478 t | 4 | Conrod |
| | | | B | | |
| 9 | 4115C366 | ➡ | U491478 t | 4 | Conrod |
| | | | A | | |
| 10 | | ! | 9 | 1 | Conrod |
| | | ➡ | Ref.n.9 | | |
| 11 | 3112A005 | ! | 9 | 1 | Bush |
| | | | T-A 17:0 | | |
| 12 | 3212V003 | ! | 9 | 2 | Screw |
| 13 | 4115P011 | T-A | 17:0 | 4 | Kit |
| 14 | | ! | 13 | 1 | Piston |
| | | ➡ | 4115p011 | | |
| 15 | | ! | 13 | 1 | Pin |
| | | ➡ | 4115p011 | | |
| 16 | 2721332 | ! | 13 | 2 | Ring |
| 17 | UPRK0003 | ! | 13 | 1 | Kit |
| | | (X) | 0.1.3. | | |
| | | | T-A 17:0 | | |
| 18 | 3115T051 | T-A | 2:0 | 1 | Pulley |
| 19 | 3241N001 | T-A | 2:0 | 1 | Block |
| 20 | 32186137 | | | 3 | Screw |

- ! This is a component of an assembly
- ➡ From serial or engine number
- ➡ Up to serial or engine number
- ➡ Not serviced, order
- ⚡ Shim
- ⦿ Replacement

Engine

**A-05
03**

Crankshaft, pistons and connecting rods

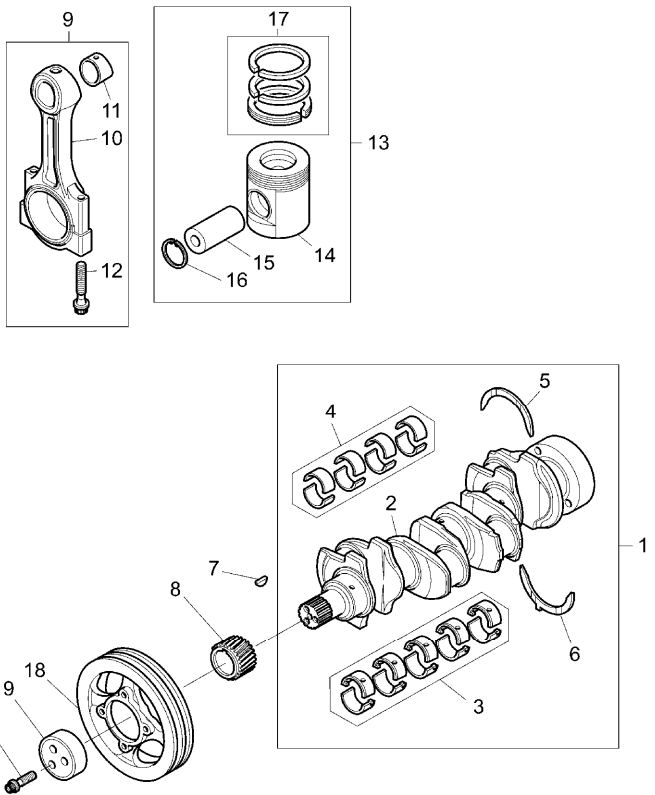
F/XL Techno Tier 2 (2003-2008) - RP52 - F75 F/GE/XL



A0503

RP52\00010997.png

- (X) Qty per tractors sold (aa.bbb.ccc.ddd) (aa) for 1,(bbb) 2-10 (ccc) 11-25 (ddd) 26-50
- T-A Replacement
- A Blue
- B Purple
- C Green
- E Orange
- F Red
- G White



Engine

F/XL Techno Tier 2 (2003-2008) - RP52 - F75 F/GE/XL

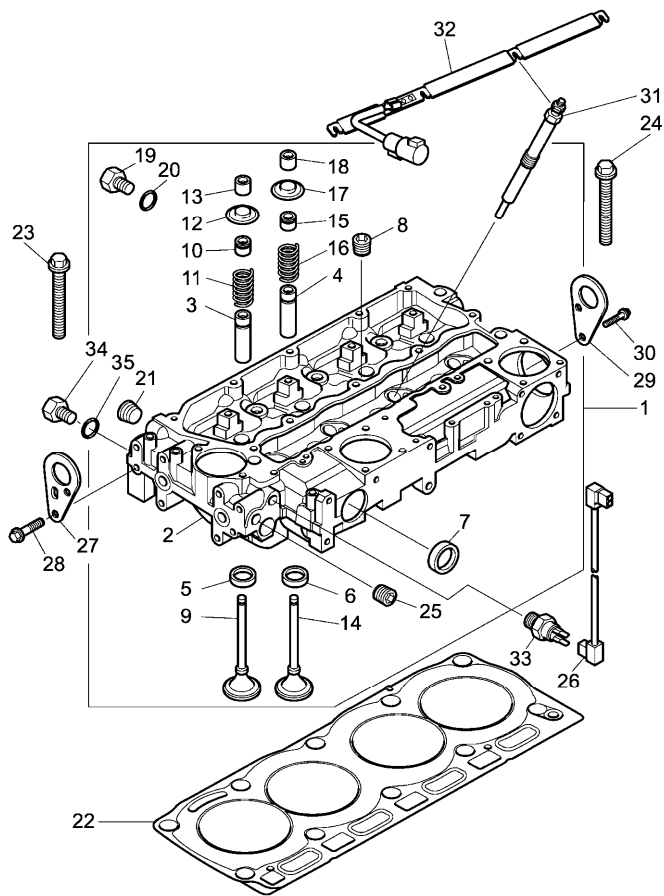
RP52\00010998.png

A-05
04



A0504

Cylinder head



| | | Inglese | |
|----|----------|---------------|----------|
| 1 | ZZ80268 | T-A 4:0 | 1 Kit |
| | | T-B 7:0 | |
| 2 | ! | 1 | 1 Head |
| | | Zz80268 | |
| 3 | 3313E021 | ! | 4 Guide |
| | | ● 3313A012(4) | |
| | | T-A 7:50 | |
| 4 | 3313E021 | ! | 4 Guide |
| | | ● 3313A012(4) | |
| | | T-A 7:50 | |
| 5 | 3314A151 | ! | 4 Insert |
| | | ● 3314A241(4) | |
| | | T-A 7:50 | |
| 6 | 3314A161 | ! | 4 Insert |
| | | ● 3314A231(4) | |
| | | T-A 7:50 | |
| 7 | 32416117 | ! | 2 Plug |
| | | T-A 1:0 | |
| 8 | 0650588 | ! | 4 Plug |
| | | T-A 0:50 | |
| 9 | 3142H071 | ! | 4 Valve |
| | | T-A 7:50 | |
| 10 | 2418M514 | ! | 4 Ring |
| | | ● N.L.S.(4) | |
| | | T-A 3:0 | |

Engine

F/XL Techno Tier 2 (2003-2008) - RP52 - F75 F/GE/XL

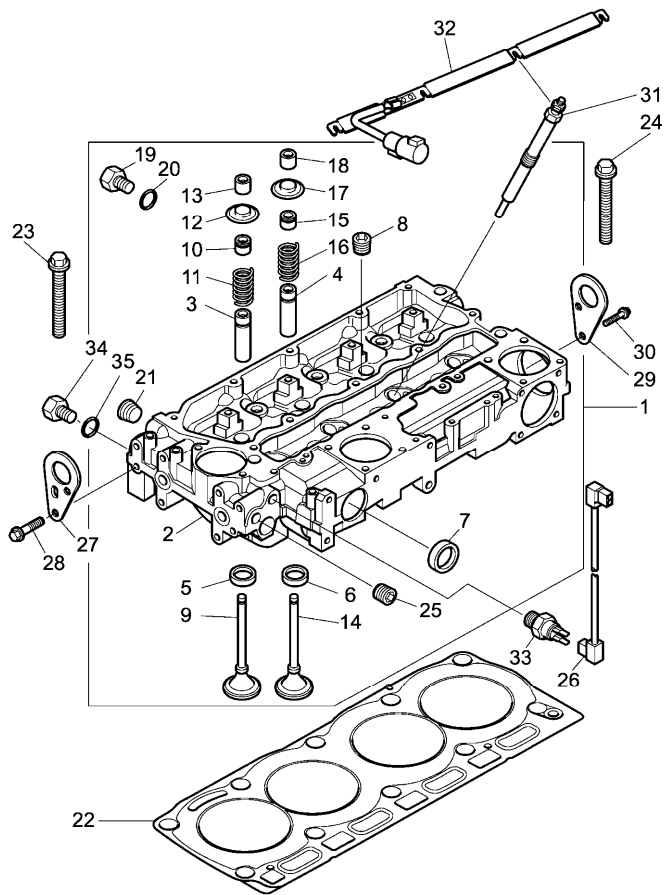
RP52\00010998.png

A-05
04



A0504

Cylinder head



| | | | Inglese |
|----|----------|---------------|----------|
| 11 | 3174A016 | ! 1 | 4 Spring |
| | | T-A 3:0 | |
| 12 | 3342A011 | ! 1 | 4 Cover |
| | | T-A 3:0 | |
| 13 | 3142W004 | ! 1 | 8 Cotter |
| | | T-A 3:0 | |
| 14 | 3142A151 | ! 1 | 4 Valve |
| | | T-A 7:50 | |
| 15 | 2418M514 | ! 1 | 4 Ring |
| | | ● N.L.S.(4) | |
| | | T-A 3:0 | |
| 16 | 3174A016 | ! 1 | 4 Spring |
| | | T-A 3:0 | |
| 17 | 3342A011 | ! 1 | 4 Cover |
| | | T-A 3:0 | |
| 18 | 3142W004 | ! 1 | 8 Cotter |
| | | T-A 3:0 | |
| 19 | 3278A006 | ! 1 | 1 Plug |
| 20 | 2415H003 | ! 1 | 1 Ring |
| 21 | 2431154 | ! 1 | 1 Plug |
| 22 | 3681E044 | ✂ 3681e046 | 1 Gasket |
| | | ● N.L.S.(1) | |
| | | T-A 4:0 | |
| 22 | 3681E046 | ✂ 3681e044 | 1 Gasket |
| | | ● 3681E051(1) | |
| | | T-A 4:0 | |

Engine

F/XL Techno Tier 2 (2003-2008) - RP52 - F75 F/GE/XL

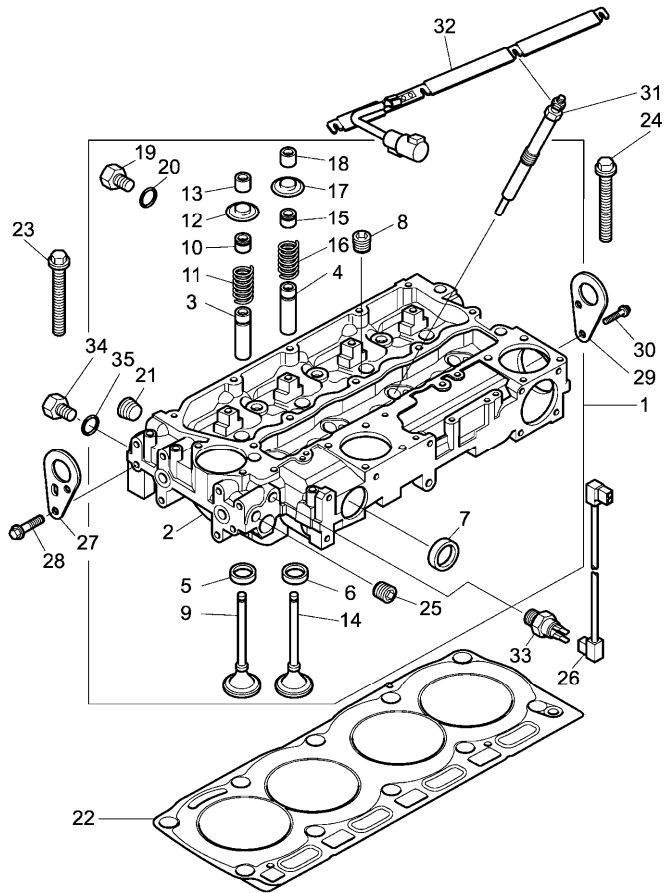
RP52\00010998.png



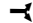


A-05
04



A0504

Cylinder head



- 23 3218A011
- 24 3218A012
- 25 2431154
- 26 3161C018  3161C017(1)
T-A 0:25
- 27 3617A015
- 28 2314J002
- 29 3617A015 T-A 3:0
- 30 2314J002
- 31 2666A016 T-A 0:75
- 32 3161C015  T409642(1)
T-A 0:75
- 33 2848A127 T-A 0:25
- 34 3278A006
- 35 2415H003
- ! This is a component of an assembly
-  Alternative
-  Not serviced, order
-  Replacement
- T-A Replacement
- T-B Overhaul

Inglese

- 7 Screw
- 3 Screw
- 1 Plug
- 1 Cable
- 1 Stirrup
- 2 Screw
- 1 Stirrup
- 2 Screw
- 4 Spark plug
- 1 Bar
- 1 Sensor
- 1 Plug
- 1 Ring

Engine

F/XL Techno Tier 2 (2003-2008) - RP52 - F75 F/GE/XL

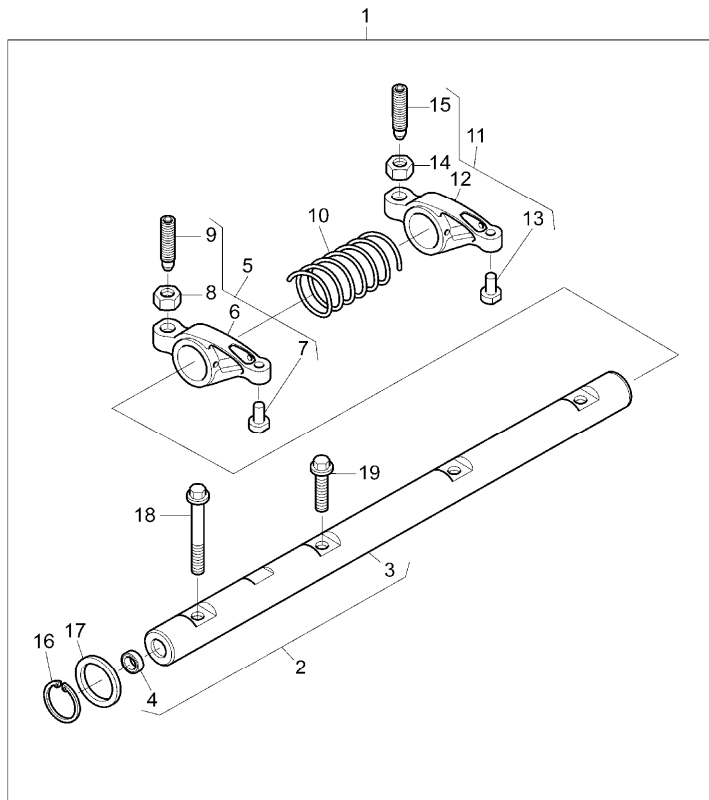
RP52\00010999.png

A-05
05



A0505

Rocker shaft



| | | Inglese | |
|----|----------|------------|----------|
| 1 | 4115R612 | T-A 4:0 | 1 Shaft |
| 2 | 4115R703 | ! 1 | 1 Shaft |
| | | T-A 4:0 | |
| 3 | | ! 2 | 1 Shaft |
| | | ➡ 4115r703 | |
| 4 | 2485A104 | ! 2 | 2 Plug |
| | | T-A 4:0 | |
| 5 | 4115R314 | ! 1 | 3 Rocker |
| | | T-A 4:0 | |
| 6 | | ! 5 | 1 Rocker |
| | | ➡ 4115r314 | |
| 7 | | ! 5 | 1 Shim |
| | | ➡ 4115r314 | |
| 8 | 0576052 | ! 5 | 1 Nut |
| 9 | 32114145 | ! 5 | 1 Screw |
| 10 | 3174A015 | ! 1 | 2 Spring |
| | | T-A 4:0 | |
| 11 | 4115R315 | ! 1 | 3 Rocker |
| | | T-A 4:0 | |
| 12 | | ! 11 | 1 Rocker |
| | | ➡ 4115r315 | |
| 13 | | ! 11 | 1 Shim |
| | | ➡ 4115r315 | |
| 14 | 0576052 | ! 11 | 1 Nut |
| 15 | 32114145 | ! 11 | 1 Screw |
| | | T-A 1:25 | |

Engine

F/XL Techno Tier 2 (2003-2008) - RP52 - F75 F/GE/XL

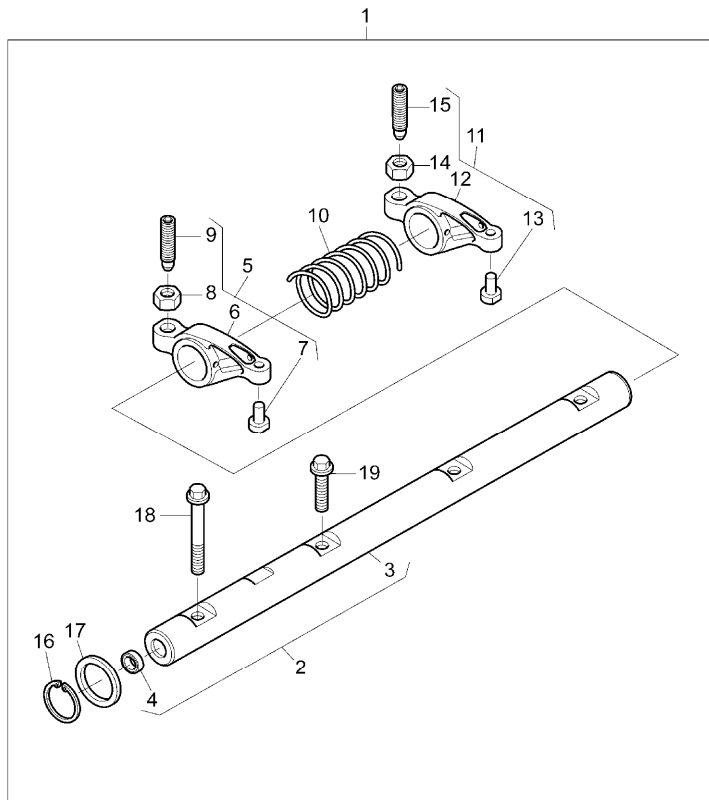
RP52\00010999.png

A-05
05



A0505

Rocker shaft



- 16 2722A022 ! 1
- 17 2134A502 ! 1
- T-A 4:0
- 18 2316A901 ! 1
- 19 2316A902 ! 1

Inglese

- 2 Ring
- 2 Washer
- 1 Screw
- 2 Screw

! This is a component of an assembly
Not serviced, order
T-A Replacement

Engine

F/XL Techno Tier 2 (2003-2008) - RP52 - F75 F/GE/XL

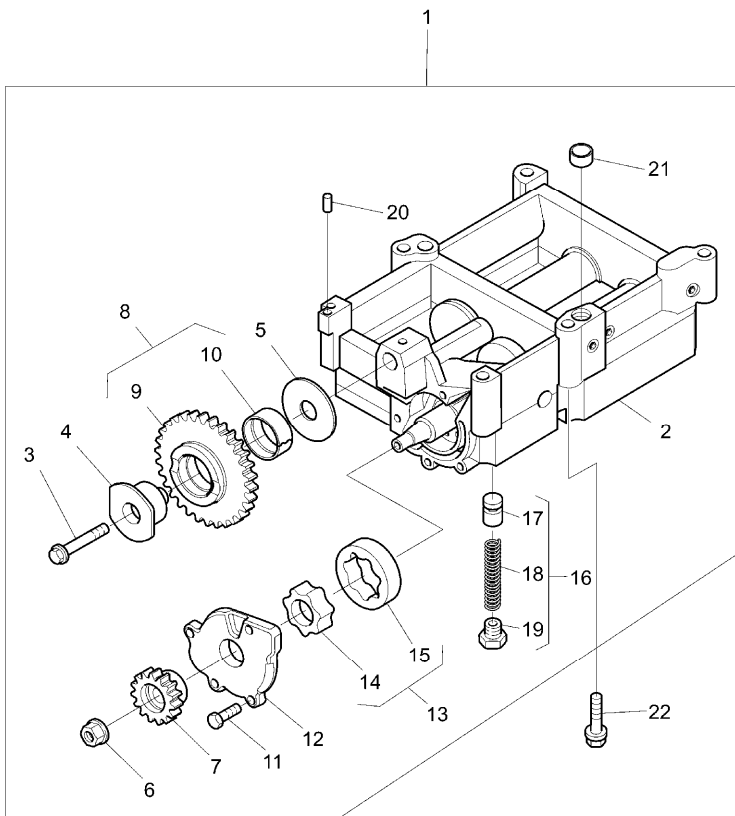
RP52\00011001.png

A-05
07



A0507

Oil pump



| | | Inglese | |
|----|----------|--------------------|------------|
| 1 | 4111K073 | T-A 4:0 T-B 5:0 | 1 Balancer |
| 2 | ! | 1 | 1 Frame |
| | ➡ | 4111k073 | |
| 3 | 2314H951 | ! | 1 Screw |
| 4 | 3272A018 | ! | 1 Shaft |
| | ● | 3272A022(1) | |
| 5 | 3321A006 | T-A 5:0 ! | 1 Washer |
| 6 | 2318F605 | ! | 1 Nut |
| 7 | 3117A101 | ! | 1 Gear |
| 8 | 4111A029 | T-A 5:0 ! | 1 Gear |
| 9 | ! | 8 | 1 Gear |
| | ➡ | 4111a029 | |
| 10 | 3112D031 | ! | 1 Cuscinet |
| | ● | N.L.A.(1) | |
| 11 | 2314C945 | T-A 5:0 ! | 5 Screw |
| 12 | 3753R351 | ! | 1 Cover |
| | | T-A 5:0 | |
| 13 | 4111K068 | ! | 1 Rotor |
| | | T-A 5:0 | |

Engine

F/XL Techno Tier 2 (2003-2008) - RP52 - F75 F/GE/XL

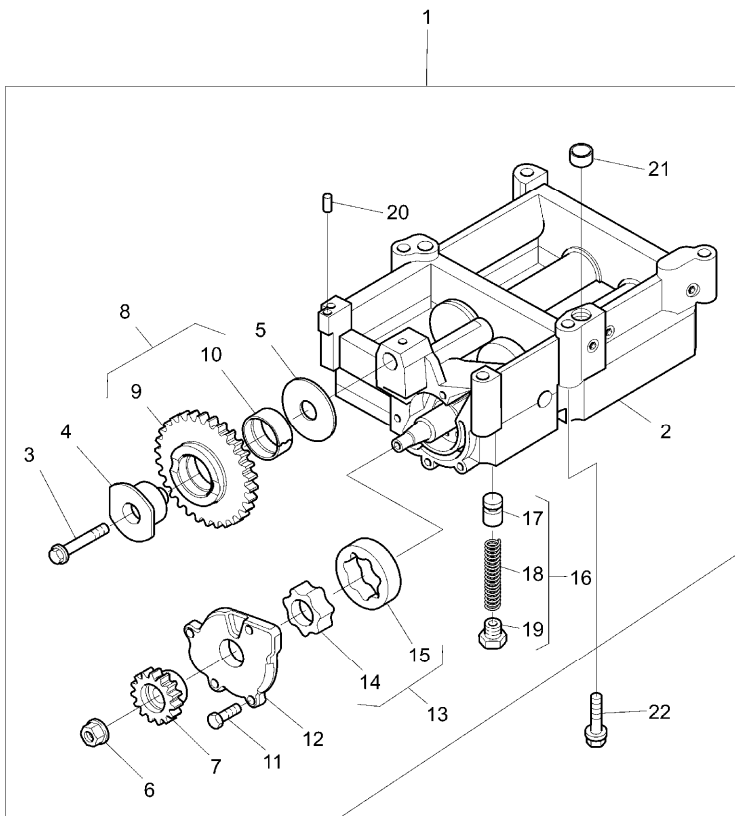
RP52\00011001.png

A-05
07



A0507

Oil pump



| | | Inglese | |
|--------------------------------------|----------|----------|-----------|
| 14 | ! | 13 | 1 Rotor |
| | ▶ | 4111k068 | |
| 15 | ! | 13 | 1 Rotor |
| | ▶ | 4111k068 | |
| 16 | U5MK0695 | ! | 1 Valve |
| | T-A | 5:0 | |
| 17 | 3245A002 | ! | 1 Contact |
| | T-A | 5:0 | |
| 18 | 3174A021 | ! | 1 Spring |
| | T-A | 5:0 | |
| 19 | 3218A013 | ! | 1 Plug |
| 20 | 3244A013 | ! | 1 Dowel |
| 21 | 33137409 | ! | 1 Thimble |
| 22 | 2314J012 | | 6 Screw |
| ! | | | |
| ! This is a component of an assembly | | | |
| ▶ Not serviced, order | | | |
| ● Replacement | | | |
| T-A Replacement | | | |
| T-B Overhaul | | | |

Engine

F/XL Techno Tier 2 (2003-2008) - RP52 - F75 F/GE/XL

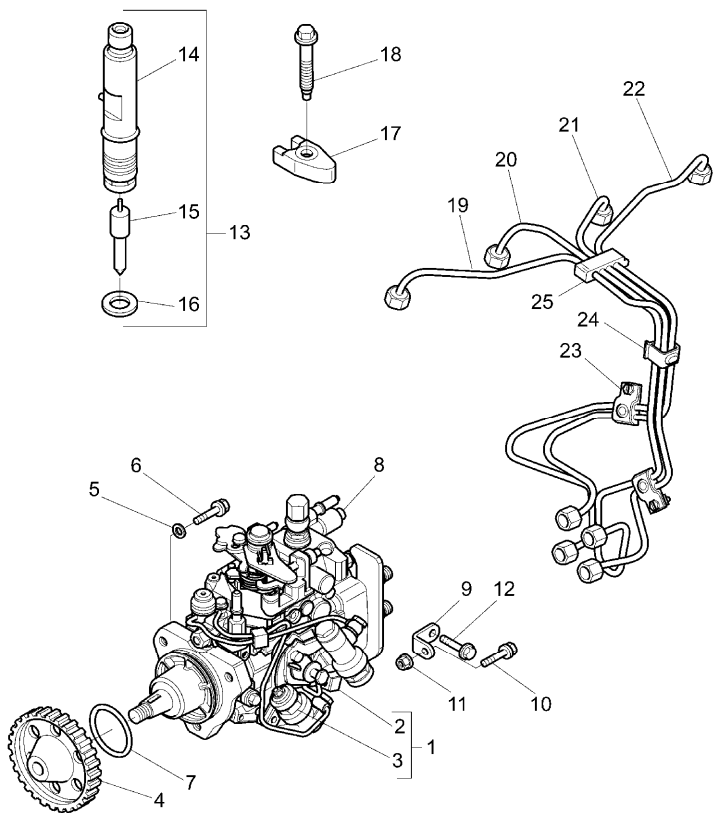
A-05
08



A0508

Fuel injection equipment (diesel)

RP52\00011002.png



| | | Inglese | |
|----|----------|-------------------------------|------------|
| 1 | 2644N201 | ● 2644N201/22(1) T-A 5:0 | 1 Pump |
| 2 | | ! 1 ➡ 2644n203 | 1 Pump |
| 3 | 26420518 | ! 1 (X) 1.3.5. T-A 0:75 | 1 Solenoid |
| 4 | 3117L251 | T-A 4:50 | 1 Gear |
| 5 | 2411D008 | | 3 Washer |
| 6 | 2314H004 | | 3 Screw |
| 7 | 2415787 | T-A 4:50 | 1 Ring |
| 8 | 2487D002 | T-A 0:25 | 1 Cover |
| 9 | 3641A007 | | 1 Stirrup |
| 10 | 2314H003 | | 1 Screw |
| 11 | 2318A603 | | 1 Nut |
| 12 | 2314J002 | | 1 Screw |
| 13 | 2645K013 | T-A 2:0 | 4 Atomiser |
| 14 | | ! 13 ➡ 2645k013 | 1 Atomiser |
| 15 | 2645K613 | ! 13 (X) 1.3.5. T-A 2:0 | 1 Nozzle |
| 16 | L311FF02 | ! 13 T-A 2:0 | 1 Washer |
| 17 | 3751A241 | T-A 2:0 | 4 Clamp |

Engine

A-05
08

Fuel injection equipment (diesel)

F/XL Techno Tier 2 (2003-2008) - RP52 - F75 F/GE/XL



A0508

RP52\00011002.png

Inglese

| | | | | |
|----|----------|----------|---|-------|
| 18 | 2314W009 | | 4 | Screw |
| 19 | 3525A091 | T-A 0:25 | 1 | Pipe |
| 20 | 3525A092 | T-A 0:25 | 1 | Pipe |
| 21 | 3525A093 | T-A 0:25 | 1 | Pipe |
| 22 | 3525A094 | T-A 0:25 | 1 | Pipe |
| 23 | 2481Y011 | | 2 | Clip |
| 24 | 2481Y012 | | 1 | Clip |
| 25 | 2646E019 | | 1 | Clip |

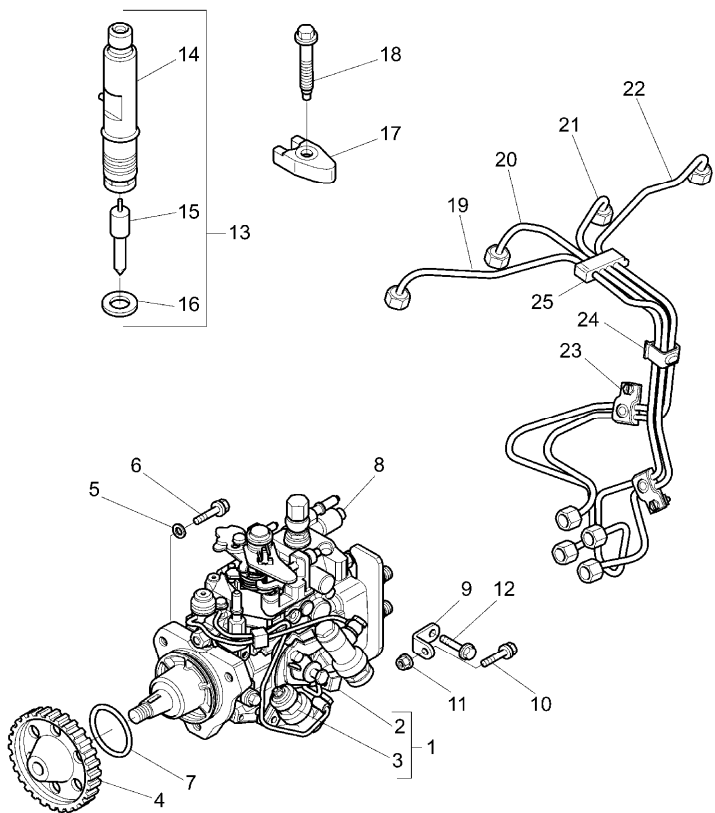
! This is a component of an assembly

🔧 Not serviced, order

● Replacement

(X) Qty per tractors sold (aa.bbb.ccc.ddd) (aa) for 1,(bbb) 2-10 (ccc) 11-25 (ddd) 26-50

T-A Replacement



Engine

F/XL Techno Tier 2 (2003-2008) - RP52 - F75 F/GE/XL

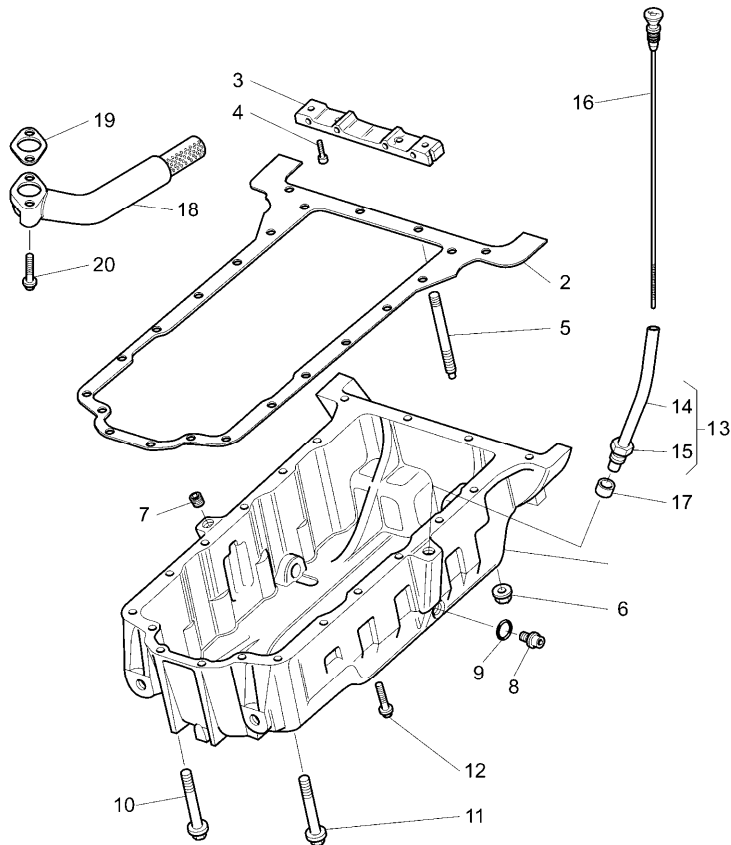
RP52\00011008.png

**A-05
09**



A0509

Lubricating oil sump



| | | | |
|----|----------|-----|-------------|
| 1 | 3717E271 | T-A | 2:0 |
| 2 | 3681K036 | (X) | 1.2.4. |
| | | T-A | 2:0 |
| 3 | 3627P041 | T-A | 2:0 |
| 4 | 2311D039 | | |
| 5 | 3211P013 | | |
| 6 | 2318A603 | | |
| 7 | 2431A016 | | |
| 8 | 32186405 | | |
| 9 | 2415715 | | |
| 10 | 2314H023 | | |
| 11 | 2314H022 | ● | 2314H052(1) |
| 12 | 2314H015 | | |
| 13 | 3577A125 | T-A | 0:25 |
| 14 | | ! | 13 |
| | | ▣ | 3577a125 |
| 15 | 3353D005 | ! | 13 |
| 16 | 3178C081 | (X) | 0.1.3. |
| | | T-A | 0:25 |
| 17 | 33812116 | T-A | 0:25 |
| 18 | 3765A091 | T-A | 2:25 |
| 19 | 36832137 | T-A | 2:25 |
| 20 | 2314H006 | | |

Inglese

| | |
|----|------------|
| 1 | Crankcase |
| 1 | Gasket |
| 1 | Crosspiece |
| 2 | Screw |
| 2 | Stud |
| 2 | Nut |
| 1 | Plug |
| 2 | Plug |
| 2 | Ring |
| 5 | Screw |
| 1 | Screw |
| 12 | Screw |
| 1 | Pipe |
| 1 | Pipe |
| 1 | Nut |
| 1 | Rod |
| 1 | Olive |
| 1 | Pipe |
| 1 | Gasket |
| 2 | Screw |

! This is a component of an assembly
 ▣ Not serviced, order

Engine

F/XL Techno Tier 2 (2003-2008) - RP52 - F75 F/GE/XL

RP52\00011008.png

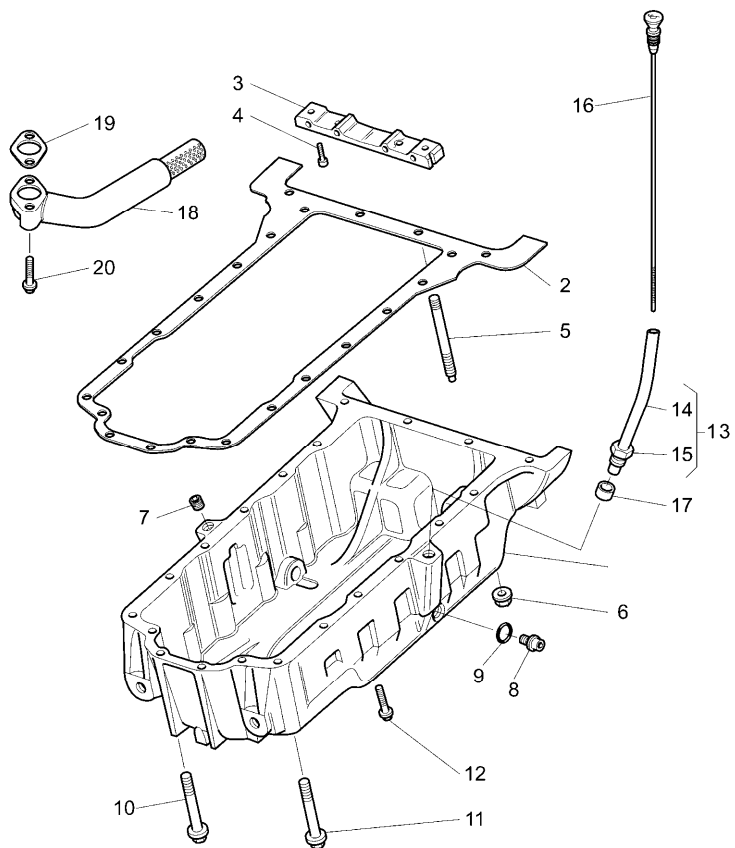
A-05
09



A0509

Lubricating oil sump

- Replacement
- (X) Qty per tractors sold (aa.bbb.ccc.ddd) (aa) for 1,(bbb) 2-10 (ccc) 11-25 (ddd) 26-50
- T-A Replacement



Engine

F/XL Techno Tier 2 (2003-2008) - RP52 - F75 F/GE/XL

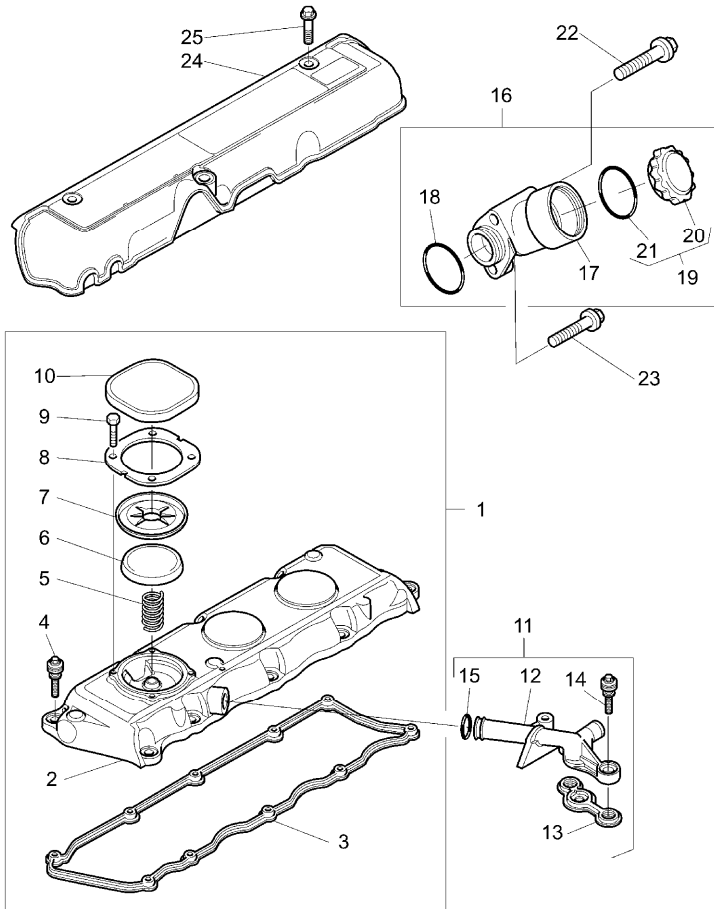
RP52\00011003.png

A-05
10



A0510

Lubricating oil filler and breather



| | | Inglese | |
|----|----------|--|-------------|
| 1 | 4142X291 | ● T417513(1) T-A 1:0 | 1 Cover |
| 2 | | ! 1 | 1 Cover |
| 3 | 3681A055 | ➡ 4142x291 ! 1 (X) 0.1.3. T-A 1:0 | 1 Gasket |
| 4 | 2161A011 | ! 1 | 10 Screw |
| 5 | 3174A017 | ● 2161A013(10) ! 1 T-A 0:50 | 1 Spring |
| 6 | 3788A002 | ! 1 T-A 0:25 | 1 Cap |
| 7 | 3789A001 | ! 1 T-A 0:25 | 1 Diaphragm |
| 8 | 3615A009 | ! 1 T-A 0:25 | 1 Plate |
| 9 | 2151A001 | ! 1 | 4 Screw |
| 10 | 3788A003 | ! 1 T-A 0:25 | 1 Cap |
| 11 | 4134K014 | ● 2314F005(10), 4134K021(1) T-A 0:50 | 1 Pipe |
| 12 | | ! 11 ➡ 4134k014 | 1 Pipe |



Suggest:

For more complete manuals. Please go to the home page.

<https://www.ebooklibonline.com>

If the above button click is invalid. Please download this document first, and then click the above link to download the complete manual.

Thank you so much for reading

Engine

F/XL Techno Tier 2 (2003-2008) - RP52 - F75 F/GE/XL

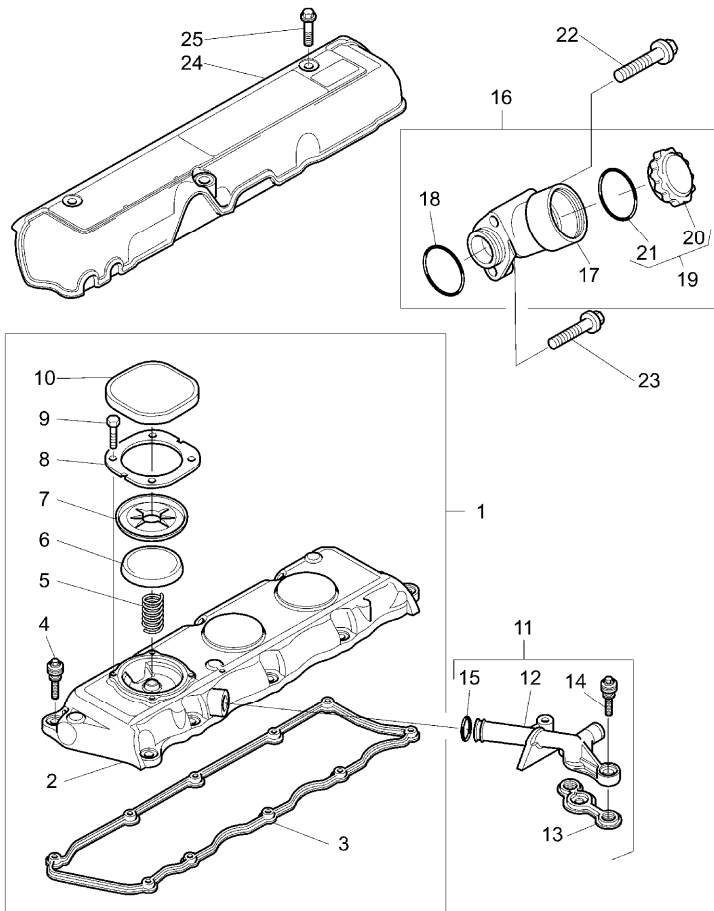
RP52\00011003.png

**A-05
10**



A0510

Lubricating oil filler and breather



Inglese

| | | | | | |
|----|----------|-----|-------------|---|--------|
| 13 | 3688A038 | ! | 11 | 1 | Ring |
| | | T-A | 0:50 | | |
| 14 | 2161A011 | ! | 11 | 2 | Screw |
| 15 | 2415A068 | ! | 11 | 1 | Ring |
| | | T-A | 0:50 | | |
| 16 | 4134C043 | ● | 4134C072(1) | 1 | Filler |
| 17 | | ▣ | 4134c043 | 1 | Body |
| | | ! | 16 | | |
| 18 | 2415B148 | ! | 16 | 1 | Ring |
| | | T-A | 0:25 | | |
| 19 | 4142X098 | ! | 16 | 1 | Plug |
| | | (X) | 0.1.3. | | |
| | | T-A | 0:25 | | |
| 20 | | ▣ | 4142x098 | 1 | Plug |
| | | ! | 19 | | |
| 21 | 2415633 | ! | 19 | 1 | O ring |
| | | T-A | 0:25 | | |
| 22 | 2314H011 | ● | 2314K161(1) | 1 | Screw |
| 23 | 2314H005 | | | 1 | Screw |
| 24 | 3788N003 | T-A | 0:50 | 1 | Cover |
| 25 | 2314F003 | | | 3 | Screw |

! This is a component of an assembly

▣ Not serviced, order

● Replacement

(X) Qty per tractors sold (aa.bbb.ccc.ddd) (aa) for 1,(bbb) 2-10 (ccc) 11-25 (ddd) 26-50

Engine

A-05
10

Lubricating oil filler and breather

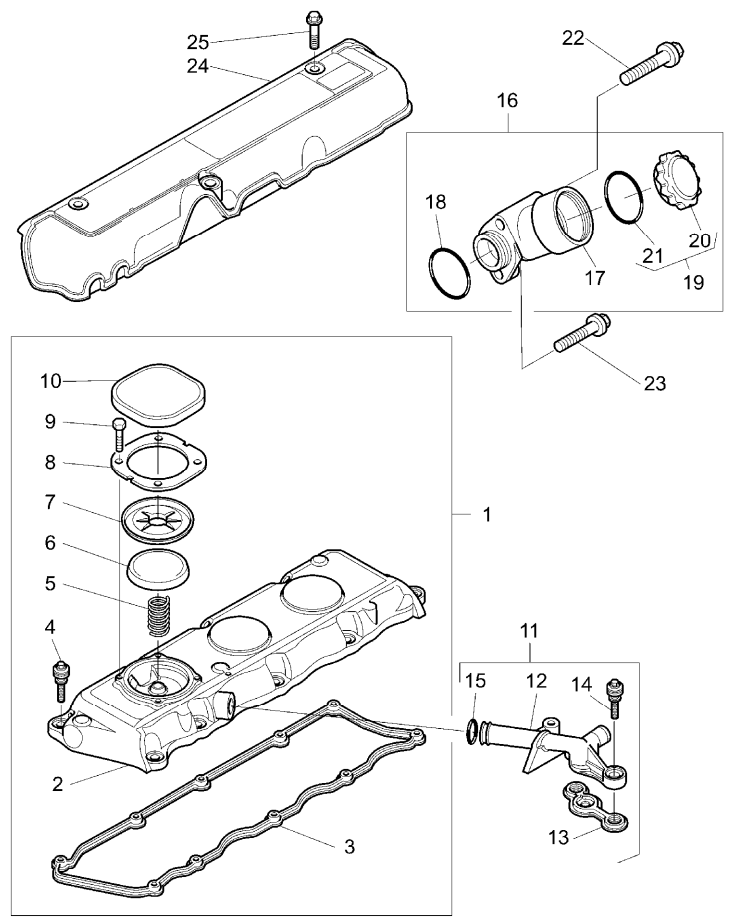
F/XL Techno Tier 2 (2003-2008) - RP52 - F75 F/GE/XL



A0510

RP52\00011003.png

T-A Replacement



<https://www.ebooklibonline.com>

Hello dear friend!

Thank you very much for reading.

Enter the link into your browser.

The full manual is available for immediate download.

<https://www.ebooklibonline.com>