

Engine

F/XL Techno Tier 2 (2003-2008) - RP52 - F70 F/GE

RP52\00005170.png

A-05  
01



A0501

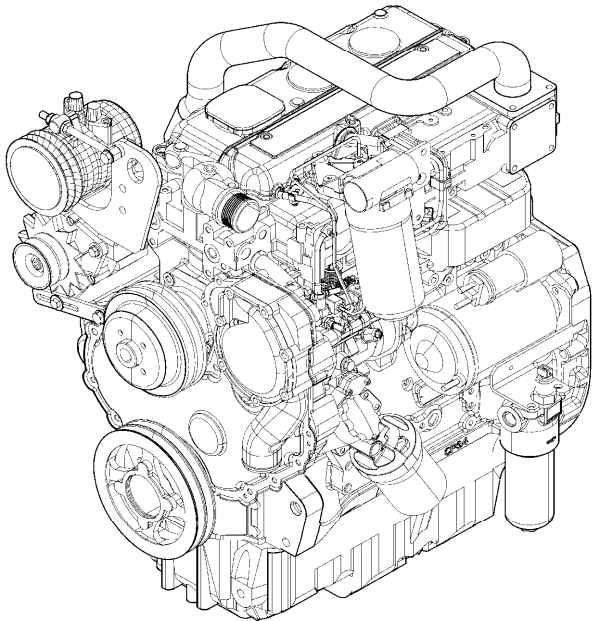
Engine assembly

Inglese

1 3675501M92 "perkins - dd8143; 1 Engine  
T-A 10:50  
T-B 30:50

T-A Replacement  
T-B Overhaul

1



Engine

F/XL Techno Tier 2 (2003-2008) - RP52 - F70 F/GE

RP52\00002415.png

**A-05  
011**



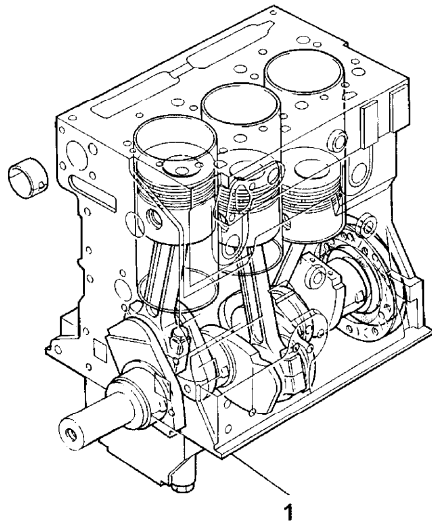
A05011

Short engine

4-ACHL-032-A

1 DD39165 T-A 25:0  
T-A Replacement

Inglese  
1 Engine



Engine

F/XL Techno Tier 2 (2003-2008) - RP52 - F70 F/GE

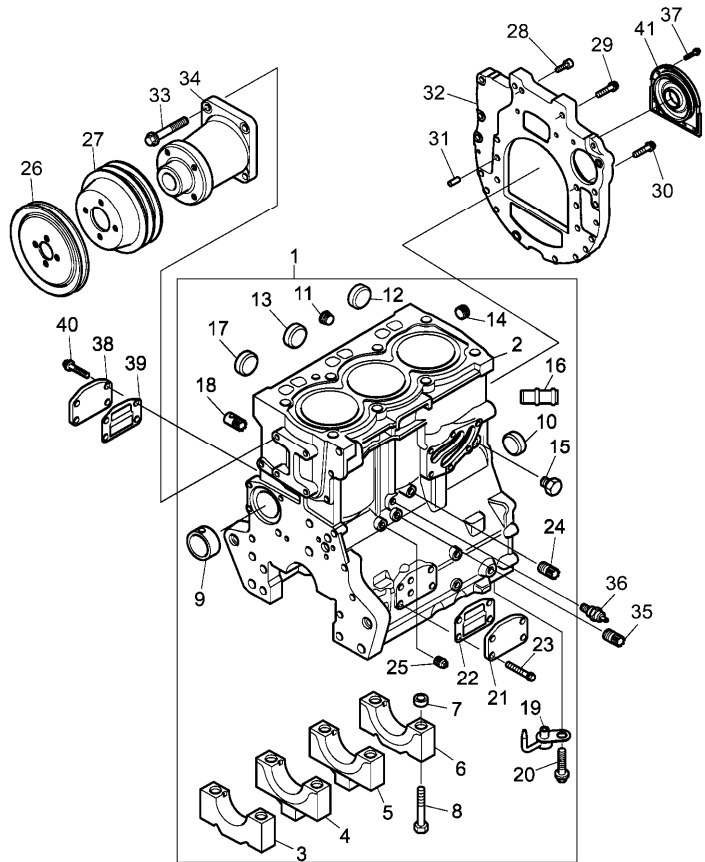
RP52\000014755.png

A-05  
02



A0502

Cylinder block



				Inglese
1	4181V016	T-A	30:50	1 Cylinder
2		!	1	1 Cylinder
3		➡	Ref.n.1	1 Bearing
4		!	1	1 Bearing
5		➡	Ref.n.1	1 Bearing
6		!	1	1 Bearing
7	33142111	!	1	8 Manicott
8	32166329	!	1	8 Screw
9	3112D071	!	1	1 Bush
		●	3112D075(1)	
10	3241A012	!	1	1 Plug
11	0650588	!	1	1 Plug
12	0650710	!	1	1 Plug
13	3241A011	!	1	2 Plug
14	3212P008	!	1	1 Plug
15	32141316	!	1	1 Plug
16	3313A022	!	1	1 Pipe
17	2485A108	!	1	1 Plug
18	3212V006	!	1	1 Plug

**<https://www.ebooklibonline.com>**

Hello dear friend!

Thank you very much for reading.

Enter the link into your browser.

The full manual is available for immediate download.

**<https://www.ebooklibonline.com>**

Engine

F/XL Techno Tier 2 (2003-2008) - RP52 - F70 F/GE

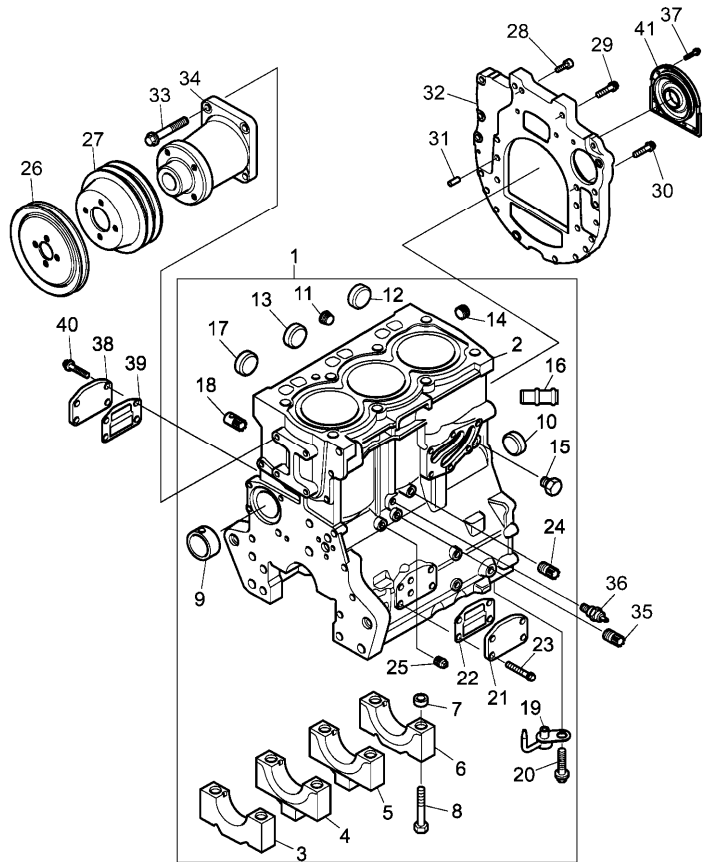
RP52\000014755.png

A-05  
02



A0502

Cylinder block



			Inglese
19	2113A001	! 1	3 Atomiser
20	2314F001	● 2113A003(3)	3 Screw
21	3623A009	! 1	2 Plate
		T-A 0:50	
22	3688A039	! 1	2 Gasket
		T-A 0:50	
23	2314H033	! 1	8 Screw
24	3212V005	! 1	1 Plug
25	0650594	! 1	1 Plug
26	3114X191	T-A 2:0	1 Pulley
27	3115C113	T-A 2:0	1 Pulley
28	2311D105		1 Screw
29	2314J607		1 Screw
30	2314J203		6 Screw
31	0350025	● 3245A011(2)	2 Dowel
32	3714A062	T-A 6:0	1 Plate
33	2314J005		4 Screw
34	4113K005	T-A 2:0	1 Housing
35	3212V005		1 Plug
36	2848062	● 4172E054(1)	1 Switch
		T-A 0:25	
37	3211C002		10 Screw
38	3623A009	T-A 0:50	1 Plate

Engine

F/XL Techno Tier 2 (2003-2008) - RP52 - F70 F/GE

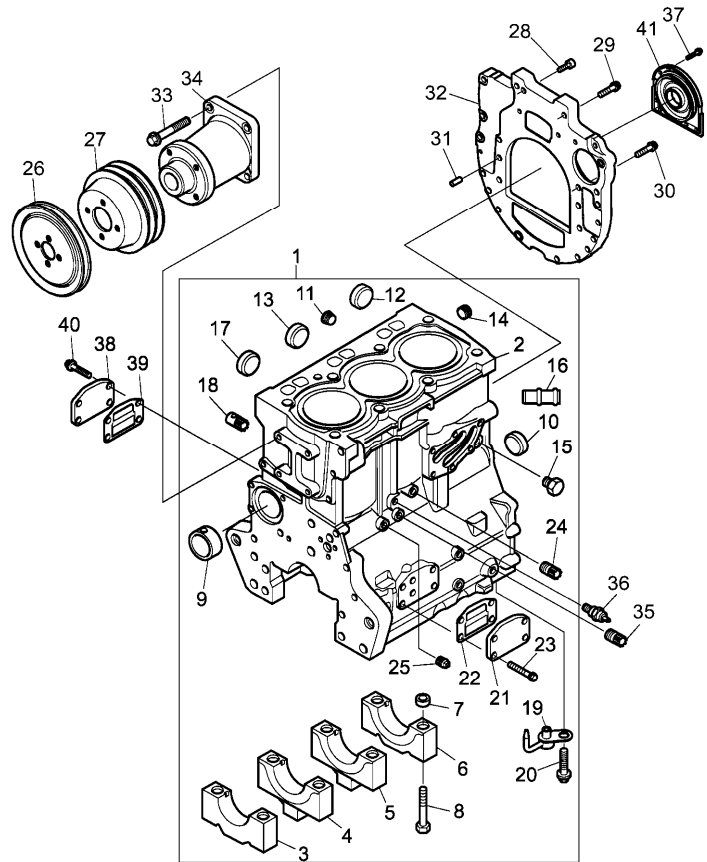
RP52\000014755.png

A-05  
02



A0502

Cylinder block



Inglese

39	3688A039	(X)	0.1.3.	1	Gasket
			T-A 0:50		
40	2314H033			4	Screw
41	2418F704	(X)	0.1.3.	1	Housing
			T-A		

- ! This is a component of an assembly
- ▣ Not serviced, order
- Replacement
- (X) Qty per tractors sold (aa.bbb.ccc.ddd) (aa) for 1,(bbb) 2-10 (ccc) 11-25 (ddd) 26-50
- T-A Replacement

Engine

F/XL Techno Tier 2 (2003-2008) - RP52 - F70 F/GE

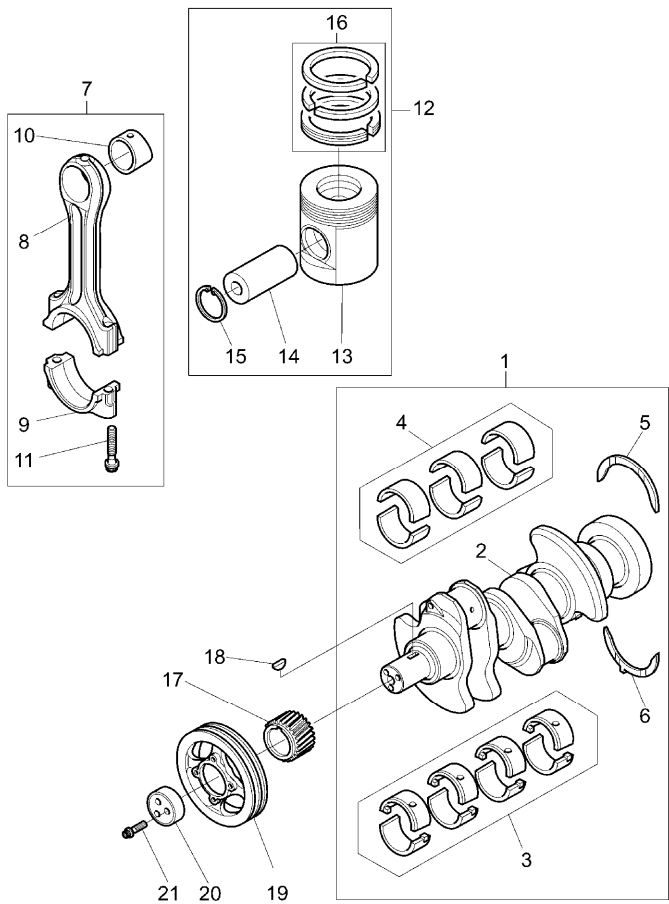
RP52\00010944.png

**A-05  
03**



A0503

Crankshaft, pistons and connecting rods



		Inglese	
1	4181V017	T-A 18:50	1 Shaft
2		! 1	1 Crankshaft
3	U5MB0019	➡ Ref. n. 1	1 Kit
		! 1	
		● U5MB0037(1)	
		T-A 18:50	
4	U5ME0018	! 1	1 Kit
		● U5ME0033(1)	
		T-A 18:50	
5	31137312	✂ (+)0.007"	2 Ring
		! 1	
		T-A 18:50	
5	31137551	! 1	2 Washer
		T-A 18:50	
6	31137322	✂ (+)0.007"	2 Ring
		! 1	
		T-A 18:50	
6	31137561	! 1	2 Washer
		T-A 18:50	
7	4115C311	➡ U491477 t	3 Kit
		F	
		T-A 17:0	
7	4115C312	➡ U491477 t	3 Kit
		E	
		T-A 17:0	

Engine

F/XL Techno Tier 2 (2003-2008) - RP52 - F70 F/GE

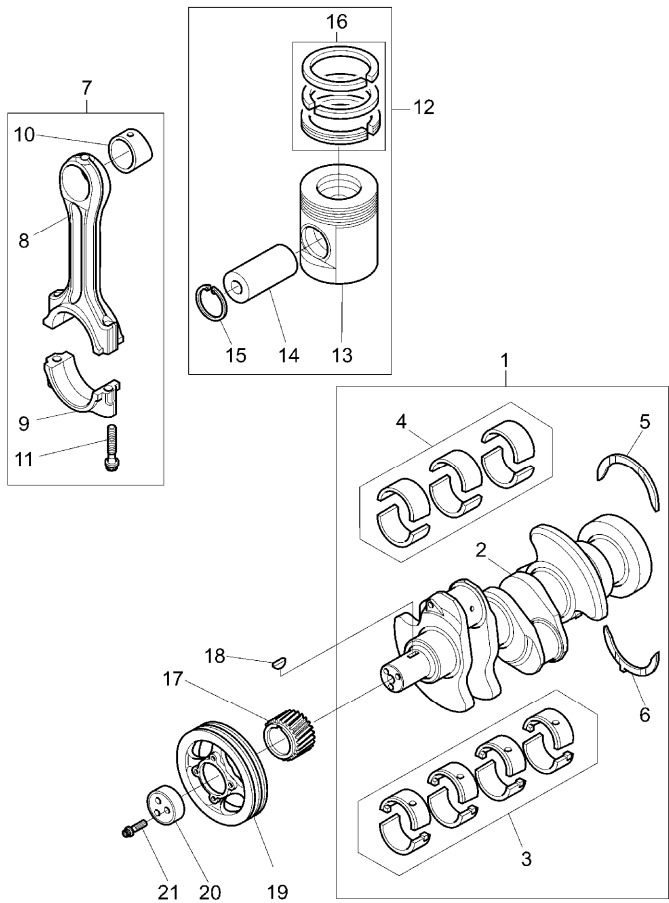
RP52\00010944.png

**A-05  
03**



A0503

Crankshaft, pistons and connecting rods



		Inglese	
7	4115C313	➡ U491477 t D T-A 17:0	3 Kit
7	4115C314	➡ U491477 t C T-A 17:0	3 Kit
7	4115C315	➡ U491477 t B T-A 17:0	3 Kit
7	4115C316	➡ U491477 t A T-A 17:0	3 Kit
7	4115C361	➡ U491478 t F	3 Conrod
7	4115C362	➡ U491478 t E	3 Conrod
7	4115C363	➡ U491478 t D	3 Conrod
7	4115C364	➡ U491478 t C	3 Conrod
7	4115C365	➡ U491478 t B	3 Conrod
7	4115C366	➡ U491478 t A	3 Conrod
8	!	7	1 Conrod
	➡	Ref. n. 7	

Engine

F/XL Techno Tier 2 (2003-2008) - RP52 - F70 F/GE

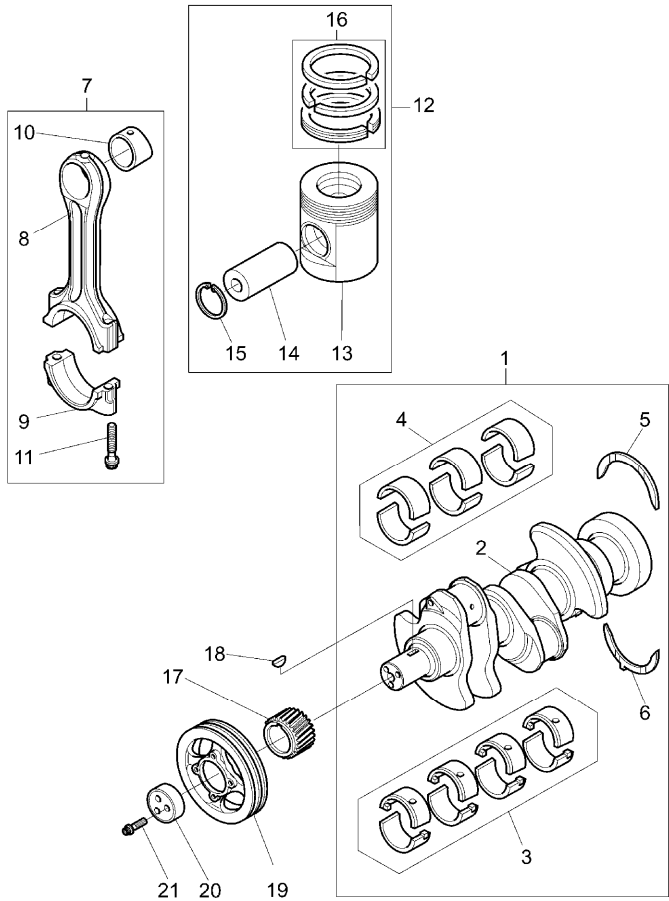
RP52\00010944.png

A-05  
03



A0503

Crankshaft, pistons and connecting rods



		Inglese
9	!	7
	➡	Ref. n. 7
10	3112A005	!
		7
		T-A 17:0
11	3212V003	!
		7
		T-A 17:0
12	4115P015	T-A 17:0
13		!
		12
		➡
		Ref.n.12
14		!
		12
		➡
		Ref. n. 12
15	2721332	!
		12
16	UPRK0002	!
		12
		(X) 0.1.3.
		T-A 17:0
17	3117C221	T-A 13:0
18	0500012	T-A 13:0
19	3115T051	T-A 2:0
20	3241N001	T-A 2:0
21	32186137	
		3

Inglese

1 Guard

1 Bush

2 Screw

3 Kit

1 Piston

1 Pin

2 Ring

1 Kit

1 Gear

1 Key

1 Pulley

1 Block

3 Screw

- ! This is a component of an assembly
- ➡ From serial or engine number
- ➡ Up to serial or engine number
- ➡ Not serviced, order
- ▲ Shim
- Replacement
- (X) Qty per tractors sold (aa.bbb.ccc.ddd) (aa) for 1,(bbb) 2-10 (ccc) 11-25 (ddd) 26-50
- T-A Replacement

Engine

A-05  
03

Crankshaft, pistons and connecting rods

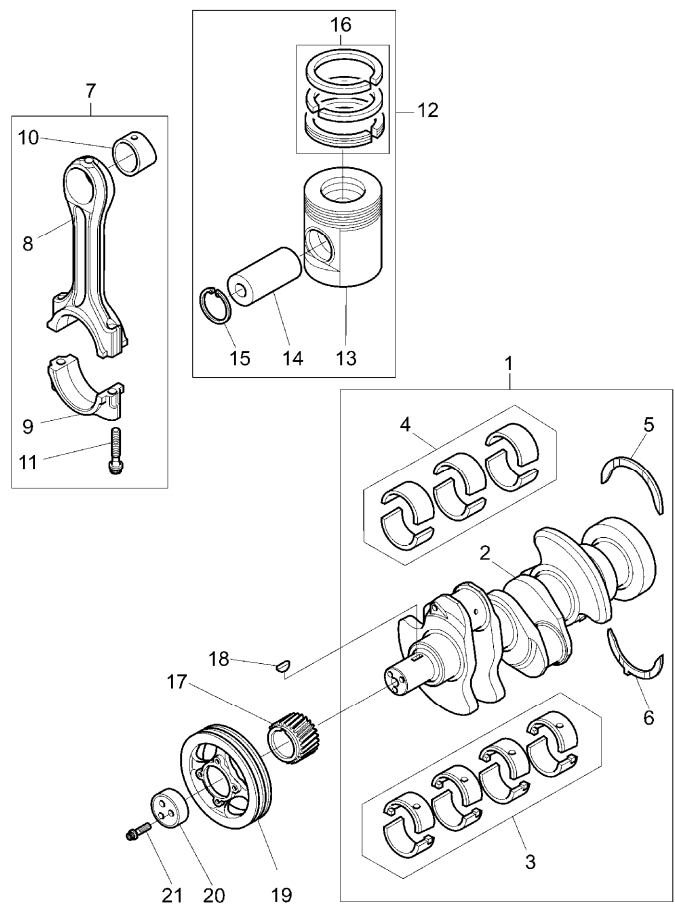
F/XL Techno Tier 2 (2003-2008) - RP52 - F70 F/GE



A0503

RP52\00010944.png

- A Blue
- B Purple
- C Green
- D White
- E Orange
- F Red



Engine

F/XL Techno Tier 2 (2003-2008) - RP52 - F70 F/GE

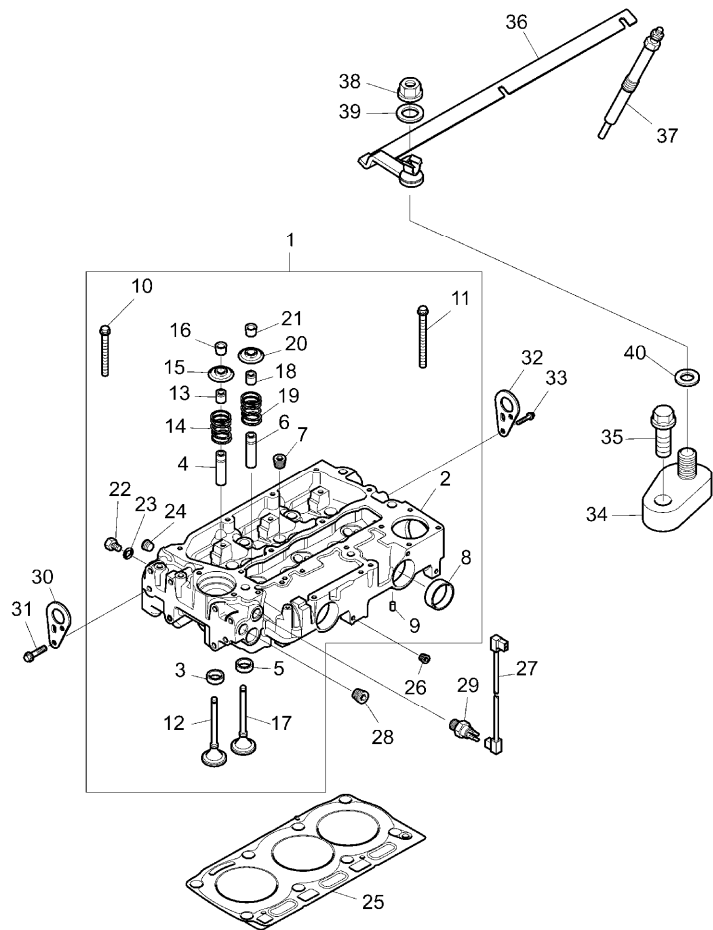
RP52\00010946.png

A-05  
04



A0504

Cylinder head



		Inglese	
1	4181V015	● 4181V041(1) T-A 4:0 T-B 7:0	1 Head
2		! 1 ➡ Ref. n. 1	1 Head
3	3314A151	! 1 ● 3314A241(3) T-A 7:50	3 Insert
4	3313E021	! 1 ● 3313A012(3) T-A 7:50	3 Guide
5	3314A161	! 1 ● 3314A231(3) T-A 7:50	3 Insert
6	3313E021	! 1 ● 3313A012(3) T-A 7:50	3 Guide
7	0650588	! 1 T-A 0:50	3 Plug
8	32416117	! 1 T-A 1:0	3 Plug
9	3244A009	! 1	2 Dowel
10	3218A011	! 1	5 Screw
11	3218A012	! 1	3 Screw
12	3142H071	! 1 T-A 7:50	3 Valve

Engine

F/XL Techno Tier 2 (2003-2008) - RP52 - F70 F/GE

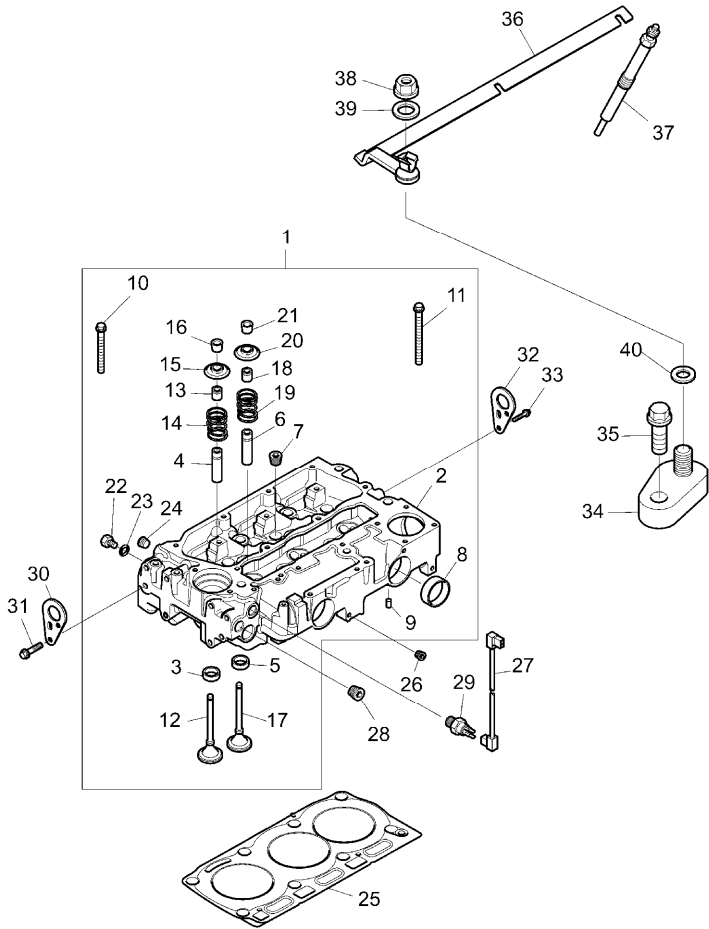
RP52\00010946.png

**A-05  
04**



A0504

Cylinder head



		Inglese	
13	2418M514	! 1	3 Ring
		● N.L.S.(3)	
		T-A 3:0	
14	3174A016	! 1	3 Spring
		T-A 3:0	
15	3342A011	! 1	3 Cover
		T-A 3:0	
16	3142W004	! 1	6 Cotter
		T-A 3:0	
17	3142A151	! 1	3 Valve
		T-A 7:50	
18	2418M514	! 1	3 Ring
		● N.L.S.(3)	
		T-A 3:0	
19	3174A016	! 1	3 Spring
		T-A 3:0	
20	3342A011	! 1	3 Cover
		T-A 3:0	
21	3142W004	! 1	6 Cotter
		T-A 3:0	
22	3278A006	! 1	1 Plug
23	2415H003	! 1	1 Ring
24	2431154	! 1	3 Plug
25	3681E045	● 3681E049(1)	1 Gasket
		(X)	
		T-A 4:0	

Engine

F/XL Techno Tier 2 (2003-2008) - RP52 - F70 F/GE

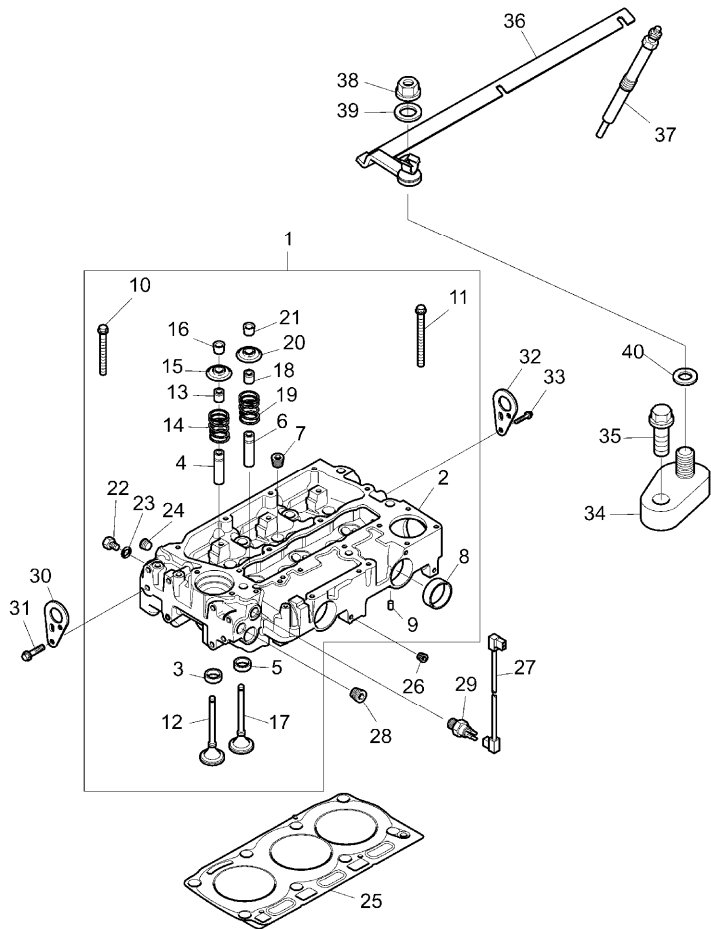
RP52\00010946.png

A-05  
04



A0504

Cylinder head



			Inglese
26	2431131	● 0650594(1)	1 Plug
27	3161C017	T-A 0:25	1 Cable
28	2431154		1 Plug
29	2848A127	T-A 0:25	1 Sensor
30	3617A015		1 Stirrup
31	2314J002		2 Screw
32	3617A015	T-A 3:0	1 Stirrup
33	2314J002		2 Screw
34	3881A006		1 Insulator
35	2314F004		1 Screw
36	3812A031	T-A 0:50	1 Bar
37	2666A016	T-A 0:75	3 Spark plug
38	2318A602		1 Nut
39	2134A609		1 Washer
40	0920002		1 Washer
! This is a component of an assembly			
🔧 Not serviced, order			
● Replacement			
(X) Qty per tractors sold (aa.bbb.ccc.ddd) (aa) for 1,(bbb) 2-10 (ccc) 11-25 (ddd) 26-50			
T-A Replacement			
T-B Overhaul			

Engine

F/XL Techno Tier 2 (2003-2008) - RP52 - F70 F/GE

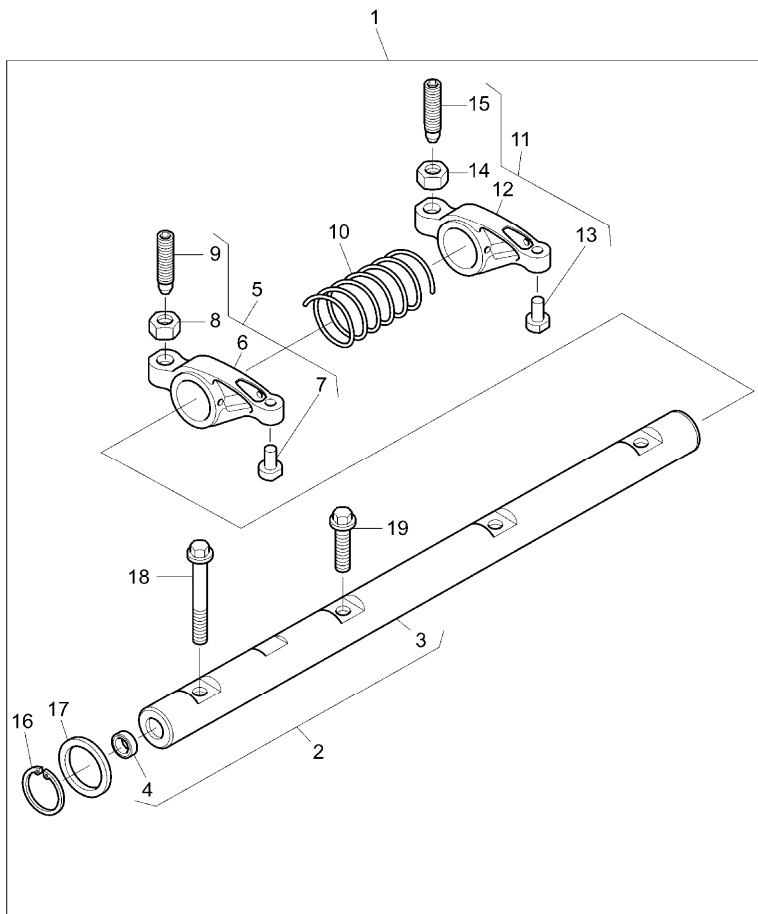
RP52\00010918.png

A-05  
05



A0505

Rocker shaft



				Inglese
1	4115R611	T-A 4:0		1 Shaft
2	4115R702	! 1		1 Shaft
		T-A 4:0		
3		! 2		1 Shaft
		➡ Ref.n.2		
4	2485A104	! 2		2 Plug
		T-A 4:0		
5	4115R314	! 1		3 Rocker
		T-A 4:0		
6		! 5		1 Rocker
		➡ Ref.n.5		
7		! 5		1 Shim
		➡ Ref.n.5		
8	0576052	! 5		1 Nut
9	32114145	! 5		1 Screw
10	3174A015	! 1		2 Spring
		T-A 4:0		
11	4115R315	! 1		3 Rocker
		T-A 4:0		
12		! 11		1 Rocker
		➡ Ref.n.11		
13		! 11		1 Shim
		➡ Ref.n.11		
14	0576052	! 11		1 Nut
15	32114145	! 11		1 Screw
		T-A 1:25		

Engine

F/XL Techno Tier 2 (2003-2008) - RP52 - F70 F/GE

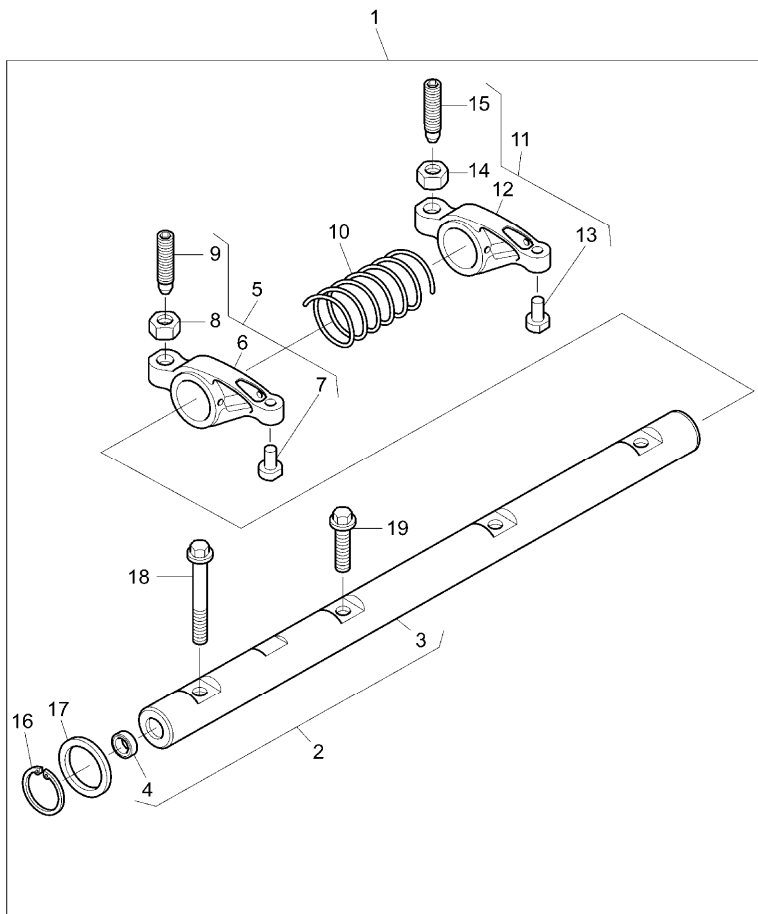
RP52\00010918.png

A-05  
05



A0505

Rocker shaft



- 16 2722A022 ! 1
- 17 2134A502 ! 1
- T-A 4:0
- 18 2316A901 ! 1
- 19 2316A902 ! 1

Inglese

- 2 Ring
- 2 Washer
- 1 Screw
- 2 Screw

! This is a component of an assembly  
 Not serviced, order  
 T-A Replacement

Engine

F/XL Techno Tier 2 (2003-2008) - RP52 - F70 F/GE

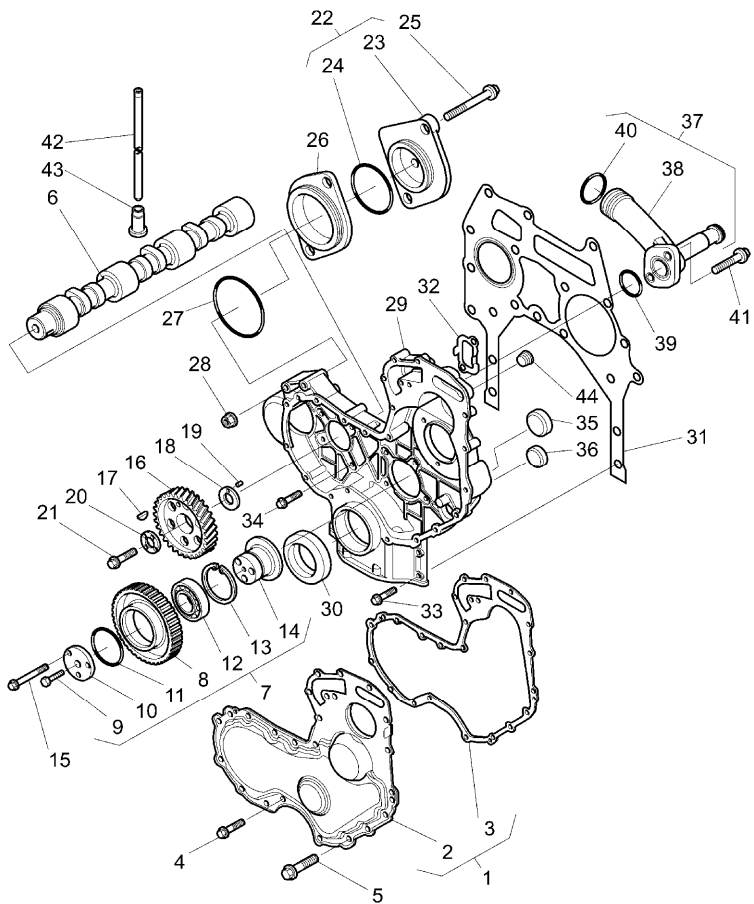
RP52\00010919.png

**A-05  
06**



A0506

Timing gear and camshaft



		Inglese	
1	4142A501	● 4142A503(1) T-A 4:50	1 Kit
2		! 1	1 Overlay
3	3681P046	➡ Ref. n. 1 ! 1 T-A 4:50	1 Gasket
4	2314H002		9 Screw
5	2314H012		5 Screw
6	3141A002	● 4112K046(1) T-A 14:0	1 Shaft
7	4111A028	● 4111A048(1) T-A 4:75	1 Gear
8		! 7 ➡ Ref. n. 7	1 Gear
9	2314C037	! 7	1 Screw
10	3241A013	! 7 T-A 4:75	1 Disc
11	2559A001	! 7 T-A 4:75	2 Washer
12	2558A501	! 7 T-A 4:75	1 Cuscinet
13	2721B064	! 7 T-A 4:75	2 Ring
14	3272A015	! 7 T-A 4:75	1 Hub
15	2314J012		3 Screw

Engine

F/XL Techno Tier 2 (2003-2008) - RP52 - F70 F/GE

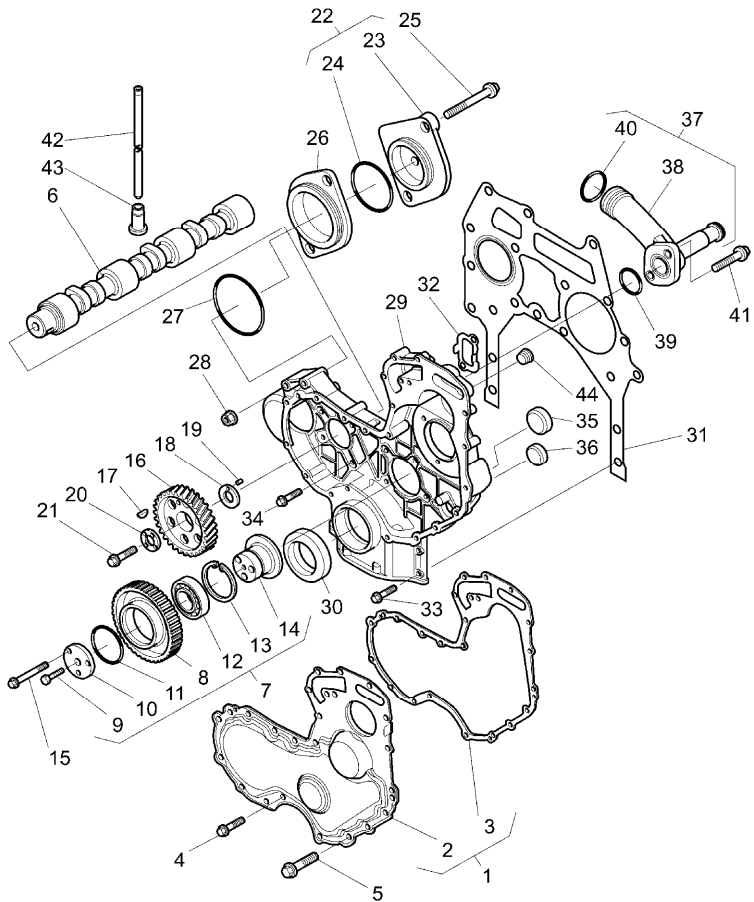
RP52\00010919.png

A-05  
06



A0506

Timing gear and camshaft



		Inglese	
16	3117L271	● 3117L272(1) T-A 4:75	1 Gear
17	0500012		1 Key
18	3321A003	T-A 4:75	1 Washer
19	2116053		1 Pin
20	3327A003	● 3112X011(1) T-A 4:75	1 Washer
21	2314J606		1 Screw
22	4148K012	T-A 4:75	1 Plate
23		! 22	1 Plate
		➡ Ref. n. 22	
24	2415H510	! 22 ● 2415H515(1) T-A 4:75	1 Ring
25	2314J014		2 Screw
26	3617A021	T-A 4:75	1 Disc
27	2415A063	● 2415H516(1) T-A 4:75	1 Ring
28	2318A604		2 Nut
29	3716C481	T-A 4:75	1 Housing
30	2418F436	● 2418F437(1) (X) T-A 4:75	1 Seal

Engine

F/XL Techno Tier 2 (2003-2008) - RP52 - F70 F/GE

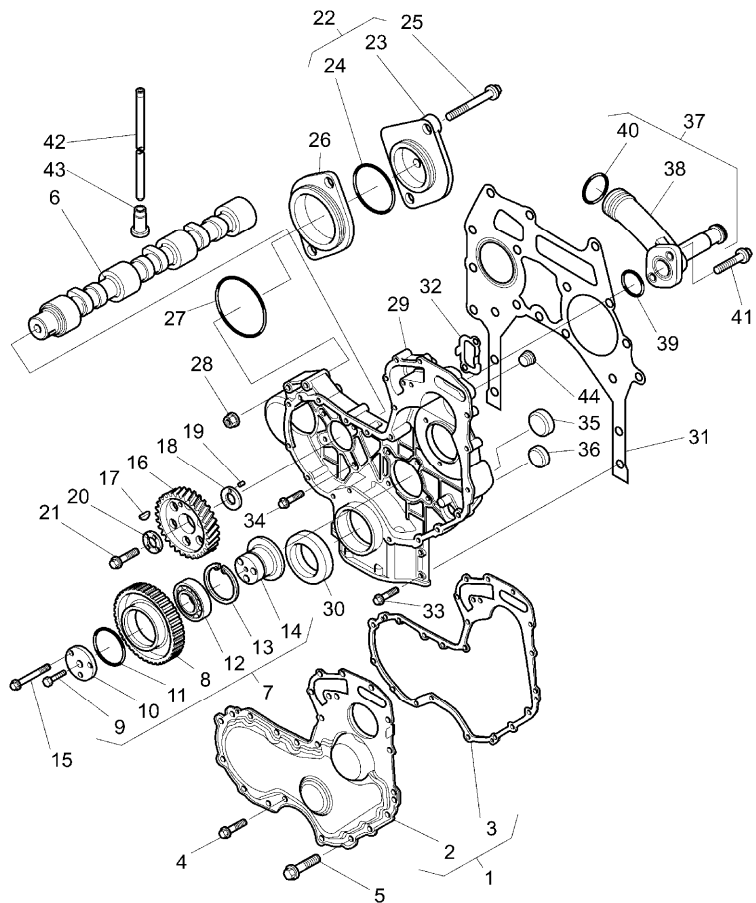
RP52\00010919.png

A-05  
06



A0506

Timing gear and camshaft



		Inglese	
31	3617V015	● 3681P053(1) (X) T-A 4:75	1 Gasket
32	3617V016	● 3681P053(1)	1 Gasket
33	2314H003		8 Screw
34	2314H034		4 Screw
35	2485A124		1 Plug
36	2485A118		1 Plug
37	4133L049	T-A 4:75	1 Connection
38		! 37 ▶ Ref. n. 37	1 Connection
39	2418F001	! 37 T-A 4:75	1 Ring
40	2418F002	! 37 T-A 4:75	1 Ring
41	2314H003		2 Screw
42	31434307	T-A 2:75	6 Rod
43	3142U031	● 3142U991(6) T-A 14:25	6 Tappet
44	2431154		1 Plug
!		This is a component of an assembly	
▶		Not serviced, order	
●		Replacement	
(X)		Qty per tractors sold (aa.bbb.ccc.ddd) (aa) for 1,(bbb) 2-10 (ccc) 11-25 (ddd) 26-50	
T-A		Replacement	

Engine

F/XL Techno Tier 2 (2003-2008) - RP52 - F70 F/GE

RP52\00010921.png

A-05  
07



A0507

Oil pump

Inglese

- 1 4132F071 T-A 4:0
- T-B 5:0

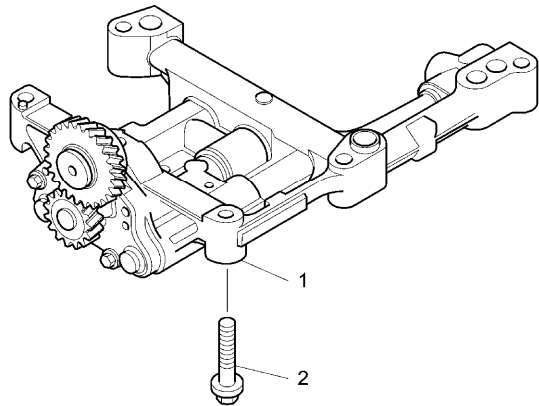
- 2 2314J008

T-A Replacement

T-B Overhaul

- 1 Pump

- 5 Screw



Engine

F/XL Techno Tier 2 (2003-2008) - RP52 - F70 F/GE

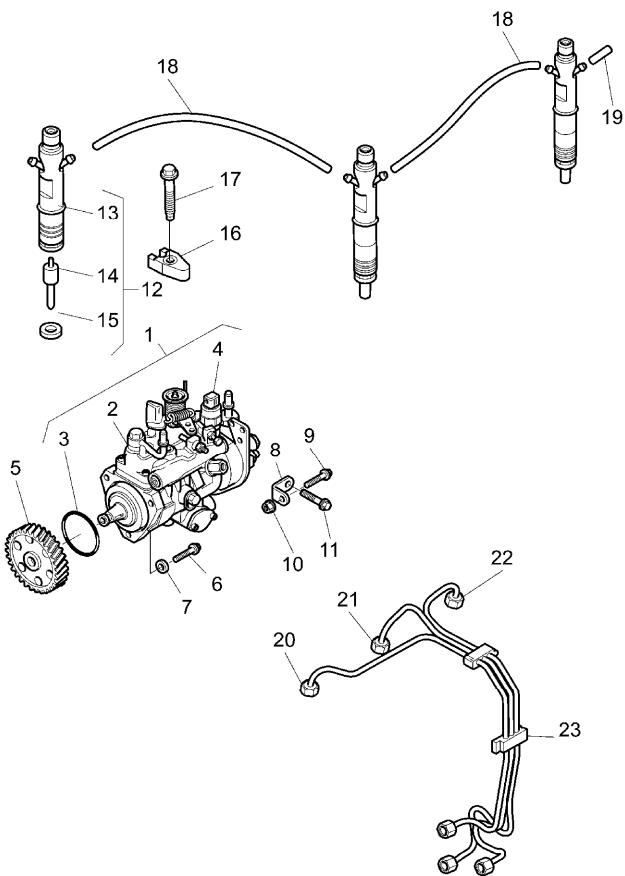
RP52\00010922.png

**A-05  
08**



A0508

Fuel injection equipment (diesel)



		Inglese	
1	2643B303	T-A 5:0	1 Pump
2		! 1	1 Pump
		➡ Ref. n. 1	
3	26420318	! 1	1 Ring
		T-A 4:50	
4	26420469	! 1	1 Solenoid
		(X) 0.1.3.	
		T-A 0:25	
5	3117L261	T-A 4:50	1 Gear
6	2314H004		3 Screw
7	2411D008		3 Washer
8	3641A007		1 Stirrup
9	2314H004		1 Screw
10	2318A603		1 Nut
11	2314J002		1 Screw
12	2645K011	T-A 2:0	3 Atomiser
13		! 12	1 Atomiser
		➡ Ref. n. 12	
14	2645K611	! 12	1 Nozzle
		(X) 0.1.4.	
		T-A 2:0	
15	L311FF02	! 12	1 Washer
		T-A 2:0	
16	3751A241	T-A 2:0	3 Clamp
17	2314W009		3 Screw

Engine

F/XL Techno Tier 2 (2003-2008) - RP52 - F70 F/GE

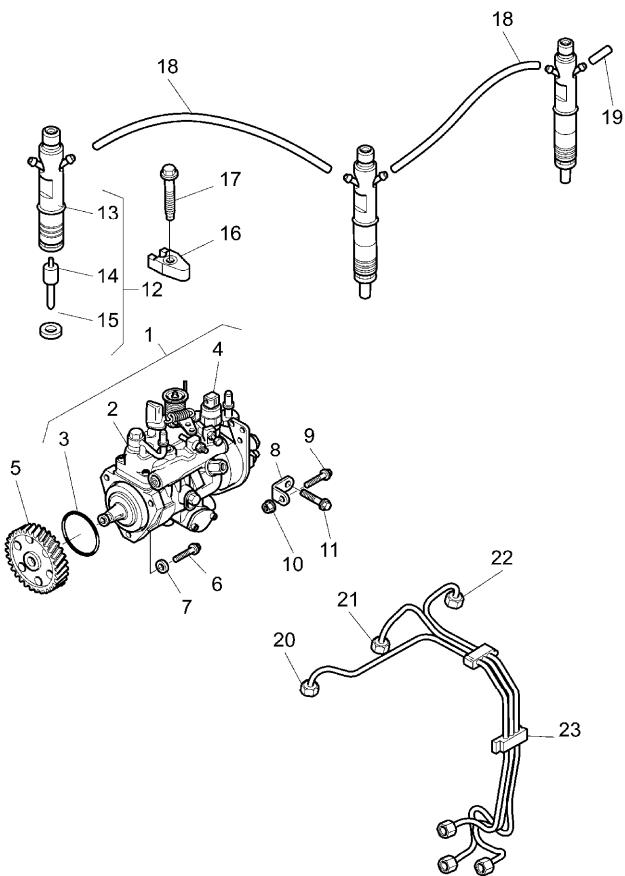
RP52\00010922.png

A-05  
08



A0508

Fuel injection equipment (diesel)



Inglese

18	2646F501	T-A	0:25	2	Pipe
19	2646E501	T-A	0:25	1	Cap
20	3525A114	T-A	0:25	1	Pipe
21	3525A115	T-A	0:25	1	Pipe
22	3525A116	T-A	0:25	1	Pipe
23	2646E018			2	Clip

! This is a component of an assembly

Not serviced, order

(X) Qty per tractors sold (aa.bbb.ccc.ddd) (aa) for 1,(bbb) 2-10 (ccc) 11-25 (ddd) 26-50

T-A Replacement

Engine

F/XL Techno Tier 2 (2003-2008) - RP52 - F70 F/GE

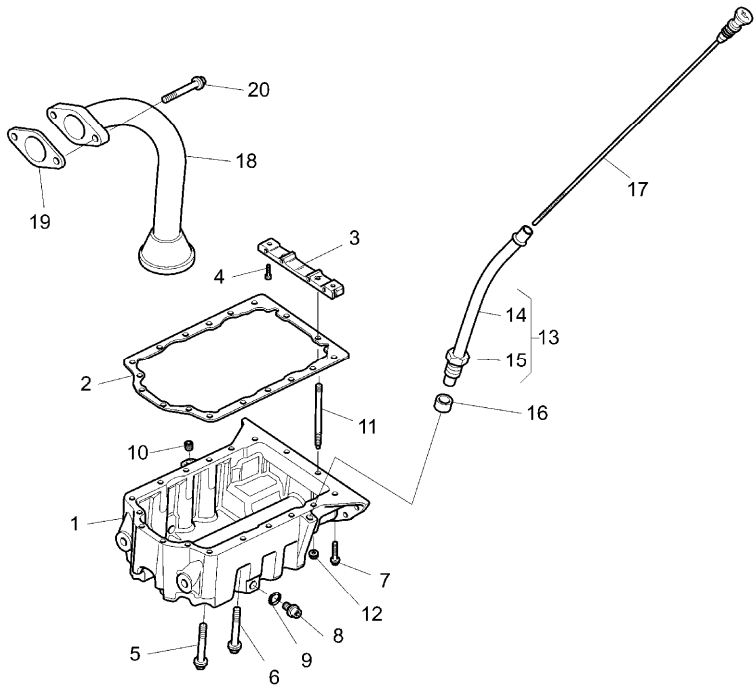
RP52\00010982.png

A-05  
09



A0509

Lubricating oil sump



		Inglese	
1	3717C141	● 3717C142(1)	1 Sump
		T-A 2:0	
2	3681K038	(X) 0.1.3.	1 Gasket
		T-A 2:0	
3	3627P041	T-A 2:0	1 Crosspiece
4	2311D039		2 Screw
5	2314H022	● 2314H052(2)	2 Screw
6	2314H015		8 Screw
7	2314K159		2 Screw
8	32186405		2 Plug
9	2415715		2 Ring
10	2431A016		1 Plug
11	3211P022		2 Stud
12	2318A603		2 Nut
13	3577A125	T-A 0:25	1 Pipe
14		! 13	1 Pipe
		➡ Ref.n.13	
15	3353D005	! 13	1 Nut
16	33812116	T-A 0:25	1 Olive
17	3178C172	● 3178C182(1)	1 Rod
		(X)	
		T-A 0:25	
18	3575A064	T-A 2:25	1 Pipe
19	36832137	T-A 2:25	1 Gasket
20	2314H004		2 Screw

Engine

A-05  
09

Lubricating oil sump

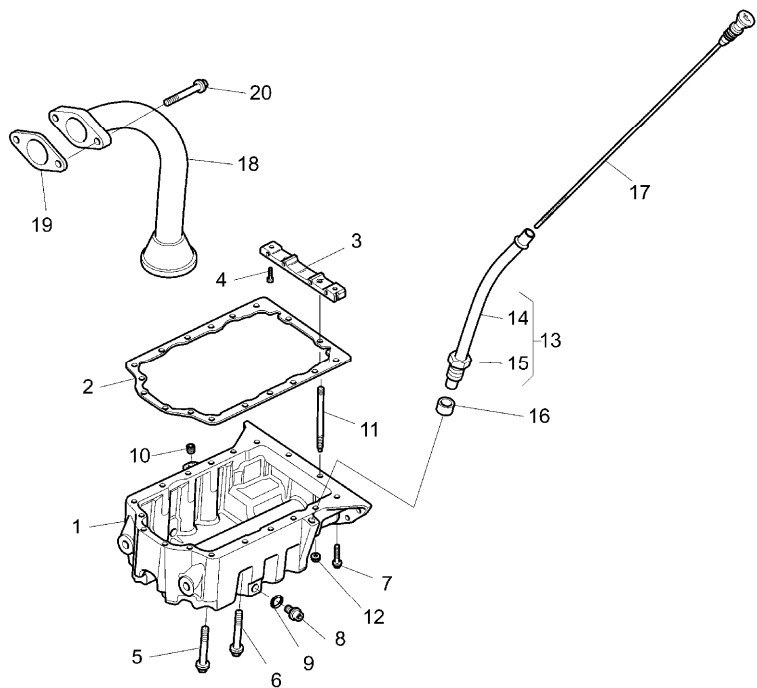
F/XL Techno Tier 2 (2003-2008) - RP52 - F70 F/GE



A0509

RP52\00010982.png

- ! This is a component of an assembly
- ▣ Not serviced, order
- Replacement
- (X) Qty per tractors sold (aa.bbb.ccc.ddd) (aa) for 1,(bbb) 2-10 (ccc) 11-25 (ddd) 26-50
- T-A Replacement





**Suggest:**

**For more complete manuals. Please go to the home page.**

**<https://www.ebooklibonline.com>**

**If the above button click is invalid. Please download this document first, and then click the above link to download the complete manual.**

**Thank you so much for reading**

Engine

F/XL Techno Tier 2 (2003-2008) - RP52 - F70 F/GE

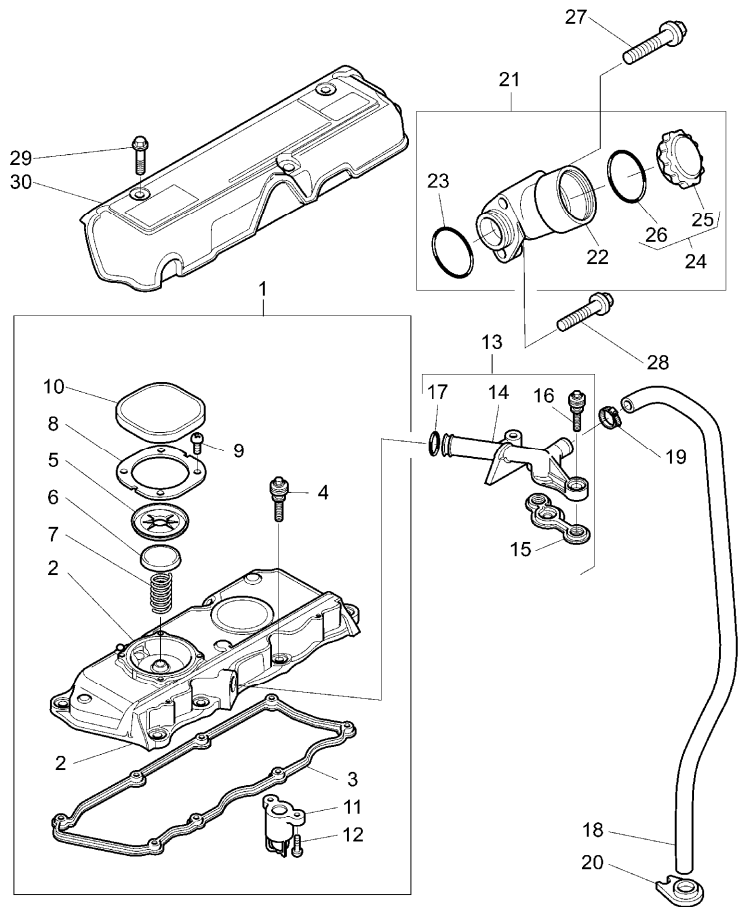
RP52\00010958.png

**A-05**  
**10**



A0510

Lubricating oil filler and breather



		Inglese	
1	4142X301	T-A 1:0	1 Cover
2		! 1	1 Cover
3	3681A057	➡ Ref. n. 1	
		! 1	1 Coperch.
		(X) 0.1.3.	
		T-A 1:0	
4	2161A011	! 1	8 Screw
		● 2161A013(8)	
5	3789A001	! 1	1 Diaphragm
		T-A 0:25	
6	3788A002	! 1	1 Cap
		T-A 0:25	
7	3174A017	! 1	1 Spring
		T-A 0:50	
8	3615A009	! 1	1 Plate
		T-A 0:25	
9	2152A034	! 1	4 Screw
10	3788A003	! 1	1 Cap
		T-A 0:25	
11	2652A019	! 1	1 Valve
		T-A 1:0	
12	2314D106	! 1	2 Screw
13	4134K015	● 2314F005(2), 4134K022(1)	1 Pipe
		T-A 0:50	

Engine

F/XL Techno Tier 2 (2003-2008) - RP52 - F70 F/GE

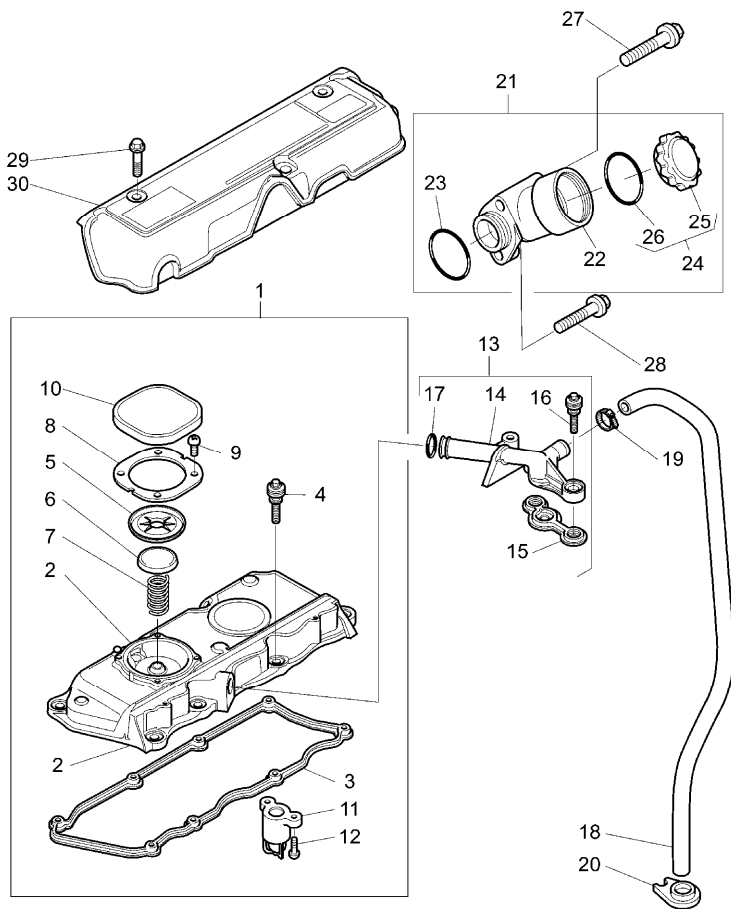
RP52\00010958.png

**A-05**  
**10**



A0510

Lubricating oil filler and breather



		Inglese
14	!	13 1 Pipe
15	➡	Ref. n. 13 1 Ring
16	!	13 T-A 0:50 2 Screw
17	●	2161A013(2) 1 Ring
18	!	13 T-A 0:50 1 Pipe
19	●	3482V094(1) T-A 0:25 1 Clamp
20	T-A	0:25 1 Support
21	●	4134C072(1) 1 Filler
22	!	21 1 Body
23	➡	Ref. n. 21 1 Ring
24	!	21 T-A 0:25 1 Plug
25	(X)	0.1.3. T-A 0:25 1 Plug
26	➡	Ref. n. 24 1 O ring
27	!	24 T-A 0:25 1 Screw
28	!	24 T-A 0:25 1 Screw

**<https://www.ebooklibonline.com>**

Hello dear friend!

Thank you very much for reading.

Enter the link into your browser.

The full manual is available for immediate download.

**<https://www.ebooklibonline.com>**