

Engine

F/XL Techno Tier 2 (2003-2008) - RP52 - F60 F/GE

RP52\00010980.png

A-05
01



A0501

Engine assembly

4-0011-050-A

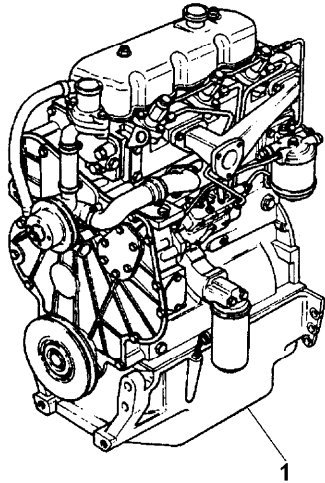
1 3670568M92

Perkins - dc81436

1 Engine

43 kw

Inglese



Engine

F/XL Techno Tier 2 (2003-2008) - RP52 - F60 F/GE

RP52\00002415.png

**A-05
011**



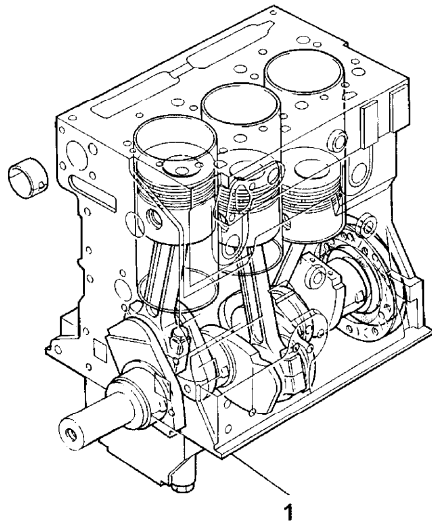
A05011

Short engine

4-ACHL-032-A

1 DC39164 T-A 25:0
T-A Replacement

Inglese
1 Engine



Engine

F/XL Techno Tier 2 (2003-2008) - RP52 - F60 F/GE

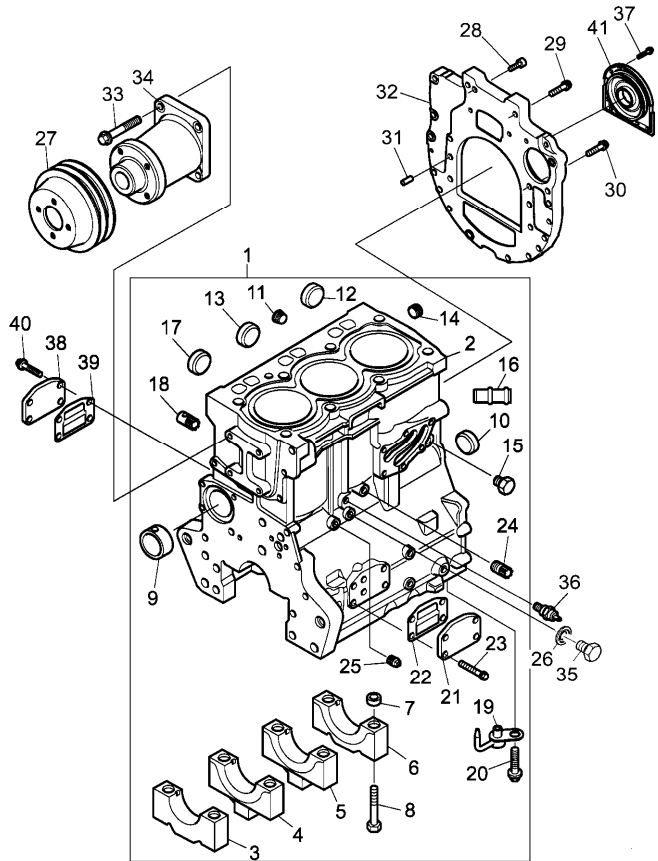
RP52\00040004.png

A-05
02



A0502

Cylinder block



				Inglese
1	4181V016	T-A	30:50	1 Cylinder
2		!	1	1 Cylinder
3		➡	Ref.n.1	1 Bearing
4		!	1	1 Bearing
5		➡	Ref.n.1	1 Bearing
6		!	1	1 Bearing
7	33142111	!	1	8 Manicott
8	32166329	!	1	8 Screw
9	3112D071	!	1	1 Bush
		●	3112D075(1)	
10	3241A012	!	1	1 Plug
11	0650588	!	1	1 Plug
12	0650710	!	1	1 Plug
13	3241A011	!	1	2 Plug
14	3212P008	!	1	1 Plug
15	32141316	!	1	1 Plug
16	3313A022	!	1	1 Pipe
17	2485A108	!	1	1 Plug
18	3212V006	!	1	1 Plug
19	2113A003	!	1	3 Atomiser

<https://www.ebooklibonline.com>

Hello dear friend!

Thank you very much for reading.

Enter the link into your browser.

The full manual is available for immediate download.

<https://www.ebooklibonline.com>

Engine

F/XL Techno Tier 2 (2003-2008) - RP52 - F60 F/GE

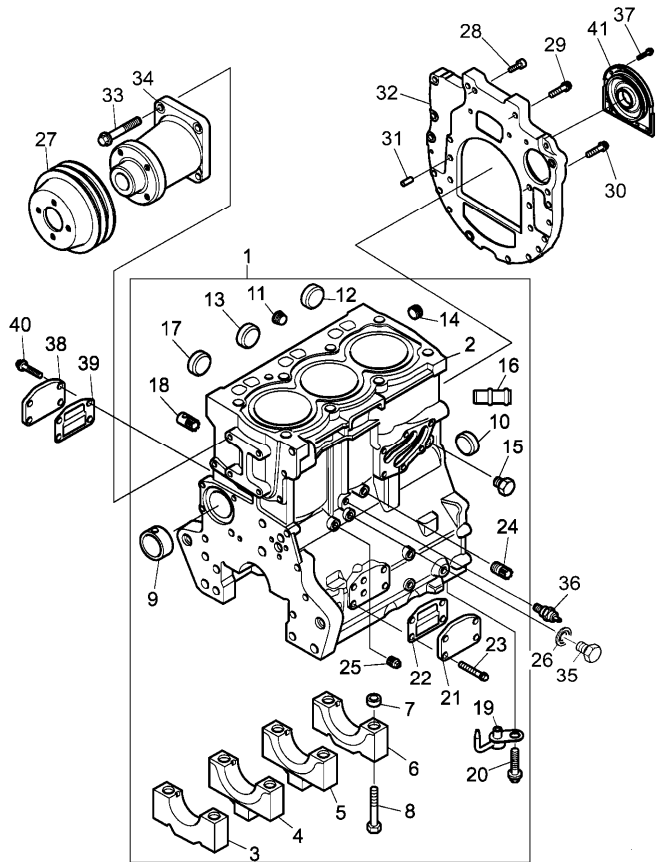
RP52\00040004.png

A-05
02



A0502

Cylinder block



				Inglese
20	2314F001	!	1	3 Screw
21	3623A009	!	1	2 Plate
		T-A	0:50	
22	3688A039	!	1	2 Gasket
		T-A	0:50	
23	2314H033	!	1	8 Screw
24	2314C049	!	1	1 Screw
25	0650594	!	1	1 Plug
26	2415D053			1 Washer
27	3115C111			1 Pulley
28	2311D105			1 Screw
29	2314J607			1 Screw
30	2314J203			6 Screw
31	3245A011			2 Dowel
32	3714A062	T-A	6:0	1 Plate
33	2314J005			4 Screw
34	4113K005	T-A	2:0	1 Housing
35	2314C049			1 Screw
36	2848062	●	4172E054(1)	1 Switch
		A		
		T-A	0:25	
37	3211C002			10 Screw
38	3623A009	T-A	0:50	1 Plate
39	3688A039	(X)	0.1.3.	1 Gasket
		T-A	0:50	

Engine

F/XL Techno Tier 2 (2003-2008) - RP52 - F60 F/GE

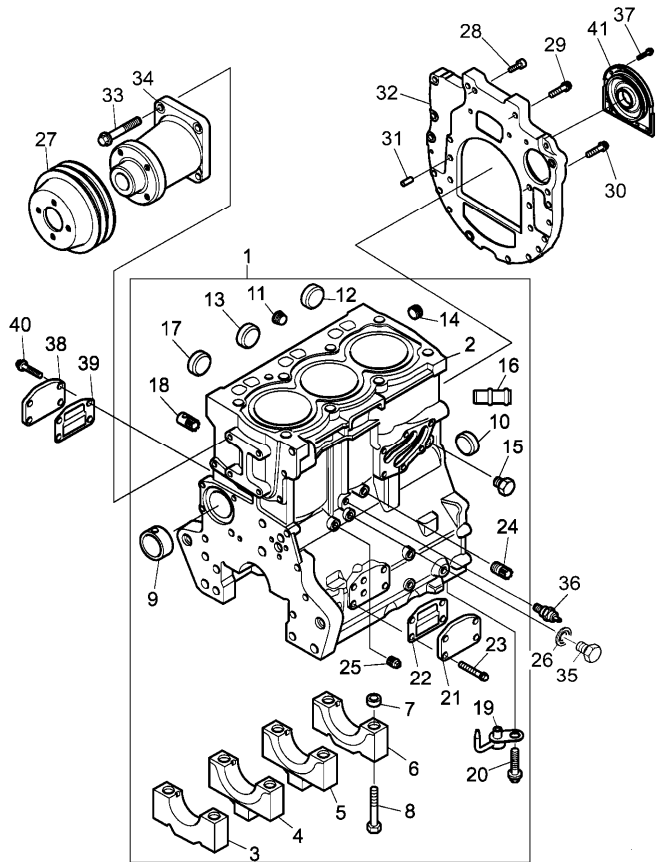
RP52\00040004.png

A-05
02



A0502

Cylinder block



Inglese

- 40 2314H033 4 Screw
 - 41 2418F704 (X) 0.1.3. 1 Housing
- T-A

- ! This is a component of an assembly
- 🔧 Not serviced, order
- Replacement
- (X) Qty per tractors sold (aa.bbb.ccc.ddd) (aa) for 1,(bbb) 2-10 (ccc) 11-25 (ddd) 26-50
- T-A Replacement
- A Oil pressure

Engine

F/XL Techno Tier 2 (2003-2008) - RP52 - F60 F/GE

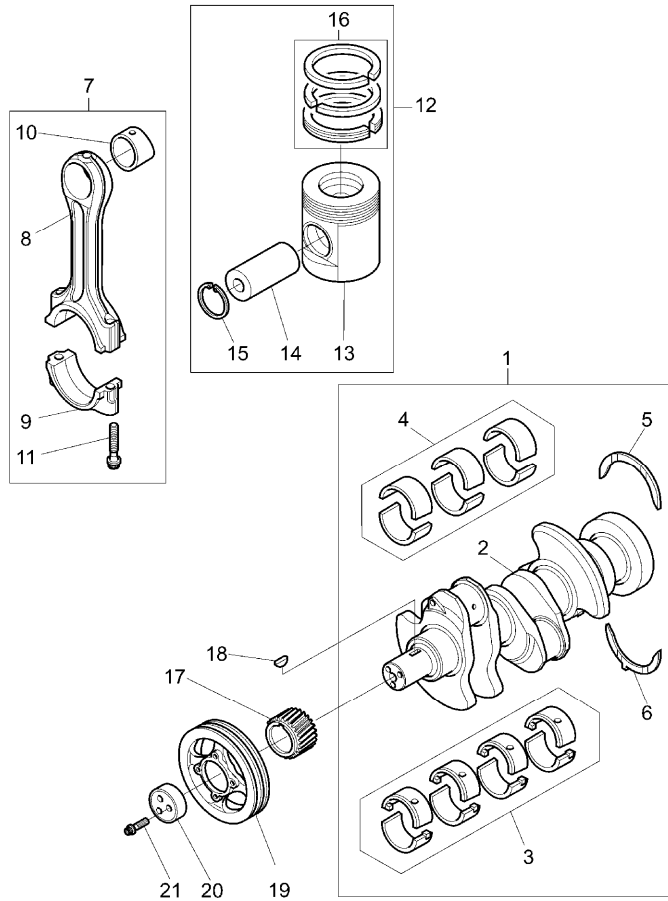
RP52\00010944.png

**A-05
03**



A0503

Crankshaft, pistons and connecting rods



				Inglese
1	4181V017	T-A	18:50	1 Shaft
2		!	1	1 Crankshaft
3	U5MB0019	➡	Ref.n.1	1 Kit
		!	1	
		●	U5MB0037(1)	
		T-A	18:50	
4	U5ME0027	!	1	1 Kit
		●	U5ME0033(1)	
		T-A	18:50	
5	31137312	✂	(+).007"	2 Ring
		!	1	
		T-A	18:50	
5	31137551	!	1	2 Washer
		T-A	18:50	
6	31137322	✂	(+).007"	2 Ring
		!	1	
		T-A	18:50	
6	31137561	!	1	2 Washer
		T-A	18:50	
7	4115C311	F		3 Kit
		T-A	17:0	
7	4115C312	E		3 Kit
		T-A	17:0	
7	4115C313	D		3 Kit
		T-A	17:0	

Engine

F/XL Techno Tier 2 (2003-2008) - RP52 - F60 F/GE

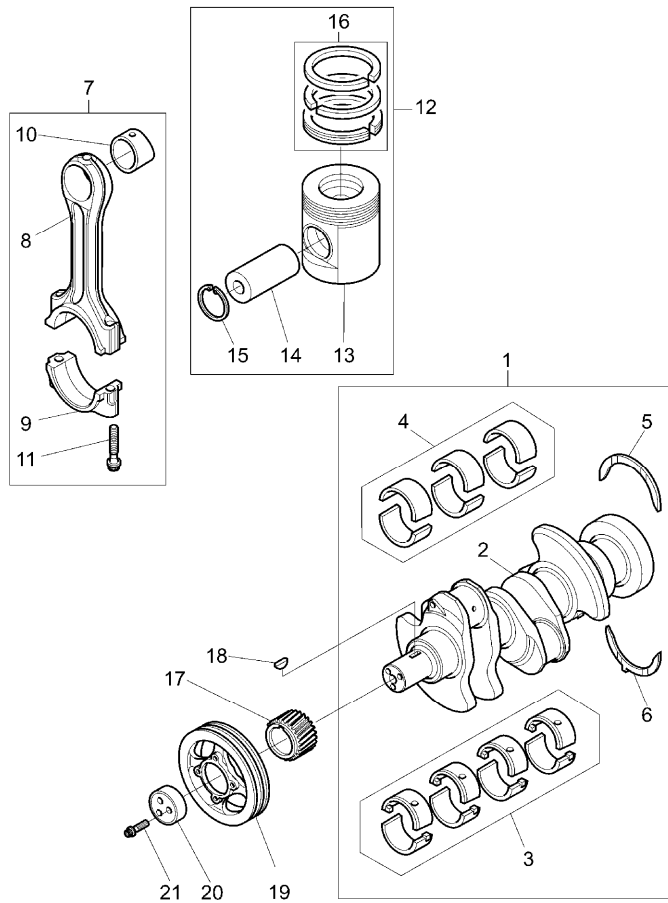
RP52\00010944.png

A-05
03



A0503

Crankshaft, pistons and connecting rods



			Inglese
7	4115C314	C	3 Kit
		T-A 17:0	
7	4115C315	B	3 Kit
		T-A 17:0	
7	4115C316	A	3 Kit
		T-A 17:0	
8	!	7	1 Conrod
		➤ Ref.n.7	
9	!	7	1 Guard
		➤ Ref.n.7	
10	3112A005	!	1 Bush
		T-A 17:0	
11	3212V003	!	2 Screw
12	4115P011		4 Kit
13	!	12	1 Piston
		➤ Ref.n.12	
14	!	12	1 Pin
		➤ Ref.n.12	
15	2721332	!	2 Ring
16	UPRK0003	!	1 Kit
		(X) 0.1.3.	
		T-A 17:0	
17	3117C221	T-A 13:0	1 Gear
18	0500012	T-A 13:0	1 Key
19	3115T051	T-A 2:0	1 Pulley
20	3241N001	T-A 2:0	1 Block

Engine

F/XL Techno Tier 2 (2003-2008) - RP52 - F60 F/GE

RP52\00010944.png

A-05
03



A0503

Crankshaft, pistons and connecting rods

Inglese

21 32186137

3 Screw

! This is a component of an assembly

☞ Not serviced, order

⚡ Shim

● Replacement

(X) Qty per tractors sold (aa.bbb.ccc.ddd) (aa) for 1,(bbb) 2-10 (ccc) 11-25 (ddd) 26-50

T-A Replacement

A Blue

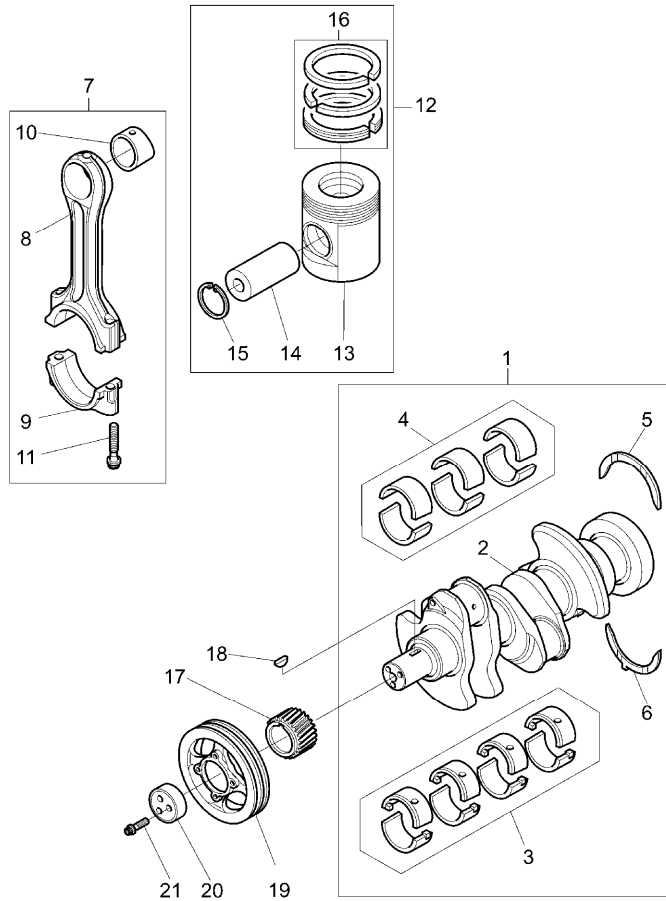
B Purple

C Green

D White

E Orange

F Red



Engine

F/XL Techno Tier 2 (2003-2008) - RP52 - F60 F/GE

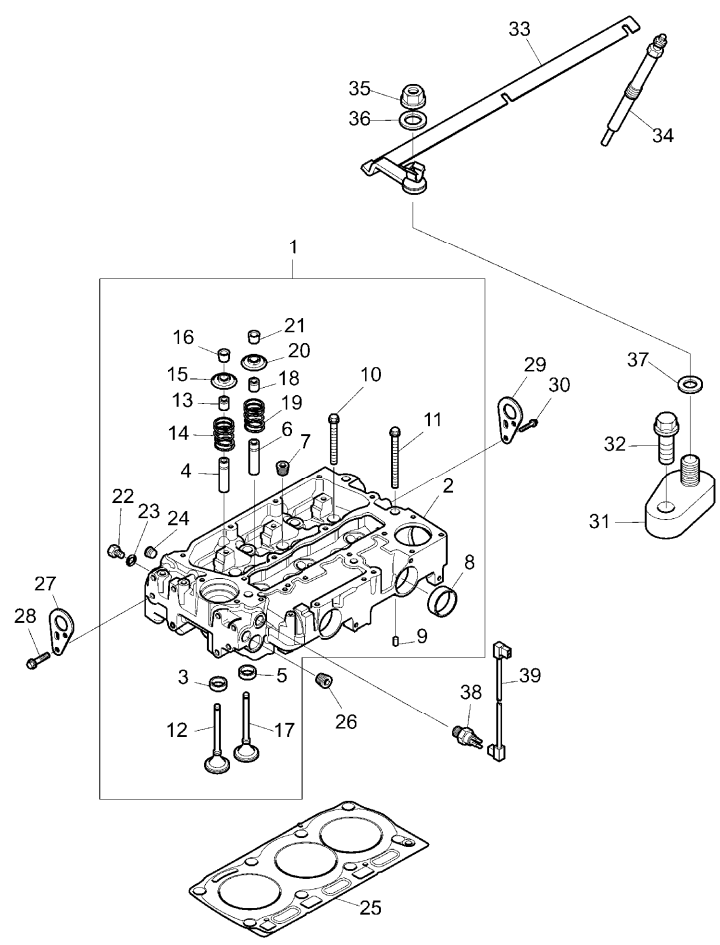
RP52\00010945.png

**A-05
04**



A0504

Cylinder head



			Inglese
1	4181V039	T-A 4:0	1 Head
		T-B 7:0	
2	!	1	1 Head
		➡ Ref.n.1	
3	3314A241	!	3 Insert
		T-A 7:50	
4	3313A012	!	3 Insert
		T-A 7:50	
5	3314A231	!	3 Insert
		T-A 7:50	
6	3313A012	!	3 Insert
		T-A 7:50	
7	0650588	!	3 Plug
		T-A 0:50	
8	32416117	!	3 Plug
		T-A 1:0	
9	3244A009	!	2 Dowel
10	3218A011	!	5 Screw
11	3218A012	!	3 Screw
12	3142H071	!	3 Valve
		T-A 7:50	
13	2418M519	!	3 Ring
		T-A 3:0	
14	3174A016	!	3 Spring
		T-A 3:0	

Engine

F/XL Techno Tier 2 (2003-2008) - RP52 - F60 F/GE

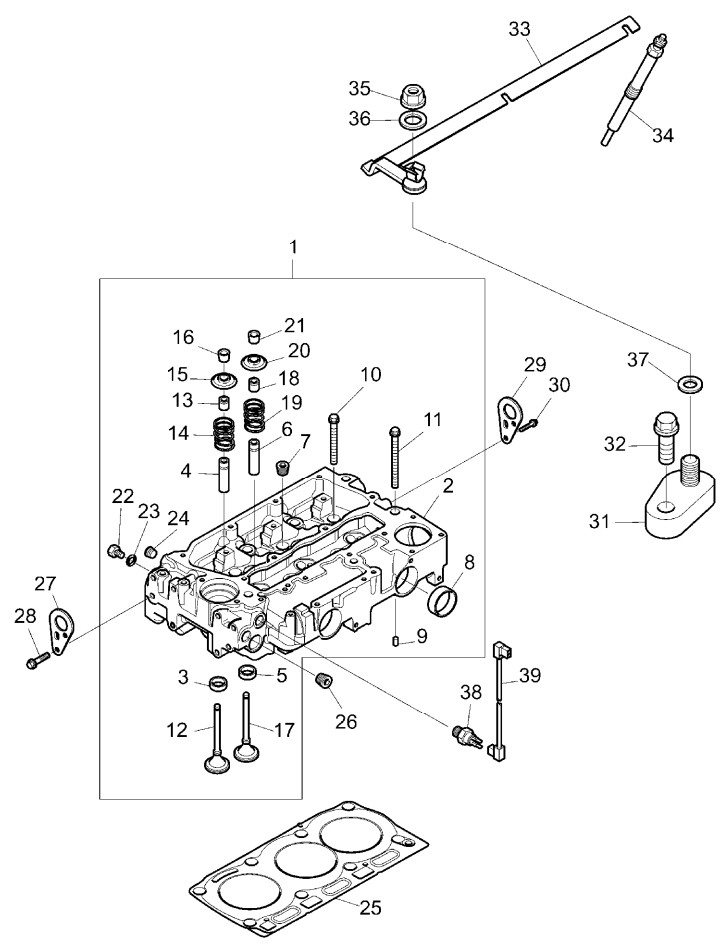
RP52\00010945.png

**A-05
04**



A0504

Cylinder head



			Inglese
15	3342A011	! 1	3 Cover
		T-A 3:0	
16	3142W004	! 1	6 Cotter
		T-A 3:0	
17	3142A151	! 1	3 Valve
		T-A 7:50	
18	2418M517	! 1	3 Ring
		T-A 3:0	
19	3174A016	! 1	3 Spring
		T-A 3:0	
20	3342A011	! 1	3 Cover
		T-A 3:0	
21	3142W004	! 1	6 Cotter
		T-A 3:0	
22	3278A006	! 1	1 Plug
23	2415H003	! 1	1 Ring
24	2431154	! 1	3 Plug
25	3681E049	(X) 0.1.3.	1 Gasket
		T-A 4:0	
26	2431154		1 Plug
27	3617A015		1 Stirrup
28	2314J002		2 Screw
29	3617A015	T-A 3:0	1 Stirrup
30	2314J002		2 Screw
31	3881A006		1 Insulator

Engine

F/XL Techno Tier 2 (2003-2008) - RP52 - F60 F/GE

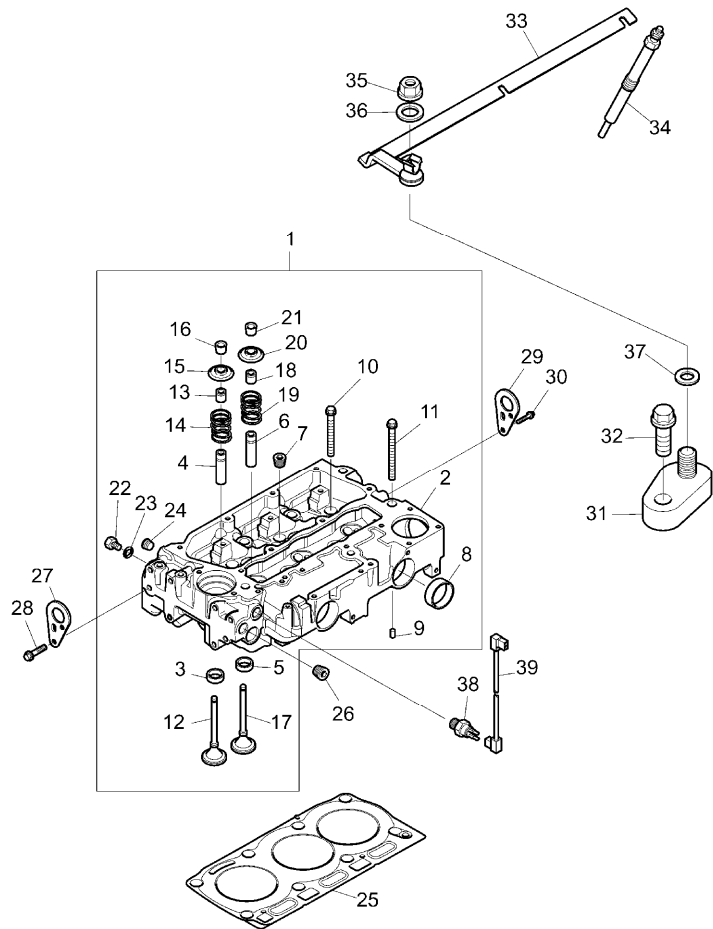
RP52\00010945.png

**A-05
04**



A0504

Cylinder head



- 32 2314F004
- 33 3812A031 T-A 0:50
- 34 2666A016 T-A 0:75
- 35 2318A602
- 36 2134A609
- 37 0920002
- 38 2848A127 A
- 39 3161C017 T-A 0:25

Inglese

- 1 Screw
- 1 Bar
- 3 Spark plug
- 1 Nut
- 1 Washer
- 1 Washer
- 1 Sensor
- 1 Cable

! This is a component of an assembly

Not serviced, order

(X) Qty per tractors sold (aa.bbb.ccc.ddd) (aa) for 1,(bbb) 2-10 (ccc) 11-25 (ddd) 26-50

T-A Replacement

T-B Overhaul

A Water temperature

Engine

F/XL Techno Tier 2 (2003-2008) - RP52 - F60 F/GE

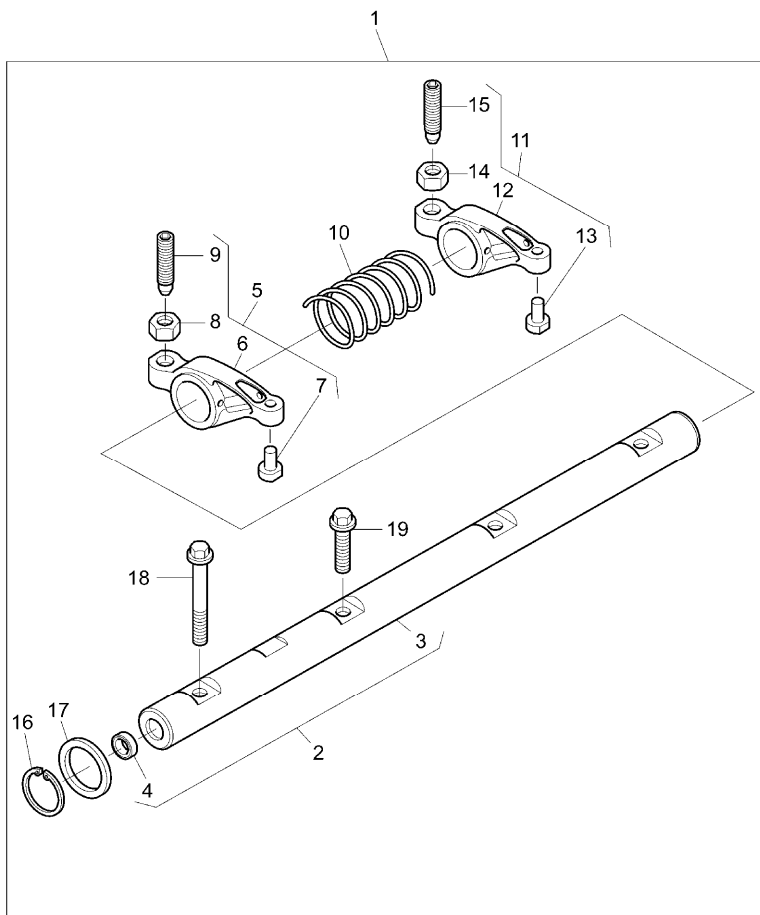
RP52\00010918.png

A-05
05



A0505

Rocker shaft



			Inglese
1	4115R611	T-A 4:0	1 Shaft
2	4115R702	! 1	1 Shaft
		T-A 4:0	
3		! 2	1 Shaft
		➡ Ref.n.2	
4	2485A104	! 2	2 Plug
		T-A 4:0	
5	4115R314	! 1	3 Rocker
		T-A 4:0	
6		! 5	1 Rocker
		➡ Ref.n.5	
7		! 5	1 Shim
		➡ Ref.n.5	
8	0576052	! 5	1 Nut
9	32114145	! 5	1 Screw
10	3174A015	! 1	2 Spring
		T-A 4:0	
11	4115R315	! 1	3 Rocker
		T-A 4:0	
12		! 11	1 Rocker
		➡ Ref.n.11	
13		! 11	1 Shim
		➡ Ref.n.11	
14	0576052	! 11	1 Nut
15	32114145	! 11	1 Screw
		T-A 1:25	

Engine

F/XL Techno Tier 2 (2003-2008) - RP52 - F60 F/GE

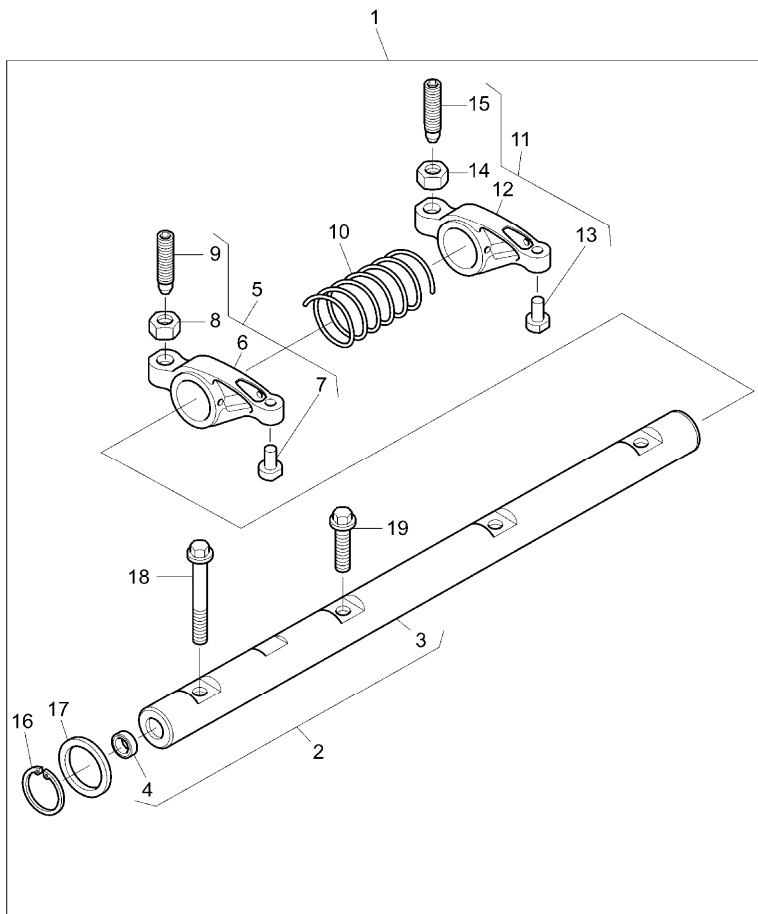
RP52\00010918.png

A-05
05



A0505

Rocker shaft



16 2722A022 ! 1

17 2134A502 ! 1

T-A 4:0

18 2316A901 ! 1

19 2316A902 ! 1

! This is a component of an assembly

Not serviced, order

T-A Replacement

Inglese

2 Ring

2 Washer

1 Screw

2 Screw

Engine

F/XL Techno Tier 2 (2003-2008) - RP52 - F60 F/GE

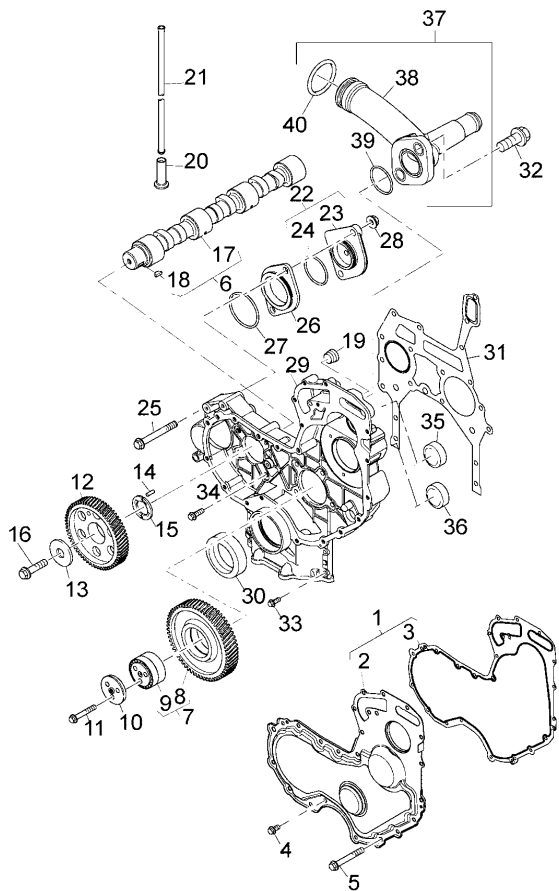
RP52\00040005.png

A-05
06



A0506

Timing gear and camshaft



		Inglese
1	4142A503 T-A 4:50	1 Kit
2	! 31	1 Overlay
	➡ Ref.n.1	
3	3681P046 ! 31	1 Gasket
	(X) 0.1.3.	
	T-A 4:50	
4	2314H002	9 Screw
5	2314H012	5 Screw
6	4112k047 T-A 14:0	1 Shaft
7	4111A042 ● 4111A048(1)	1 Gear
	T-A 4:75	
8	! 7	1 Gear
	➡ Ref.n.7	
9	! 7	1 Hub
	➡ Ref.n.7	
10	3321A012 ! 7	1 Plate
	T-A 4:75	
11	2314J012	3 Screw
12	3117L272 T-A 4:75	1 Gear
13	3321A003 T-A 4:75	1 Washer
14	2116053	1 Pin
15	3112X011 T-A 4:75	1 Washer
16	2314J606	1 Screw
17	! 6	1 Shaft
	➡ Ref.n.6	

Engine

F/XL Techno Tier 2 (2003-2008) - RP52 - F60 F/GE

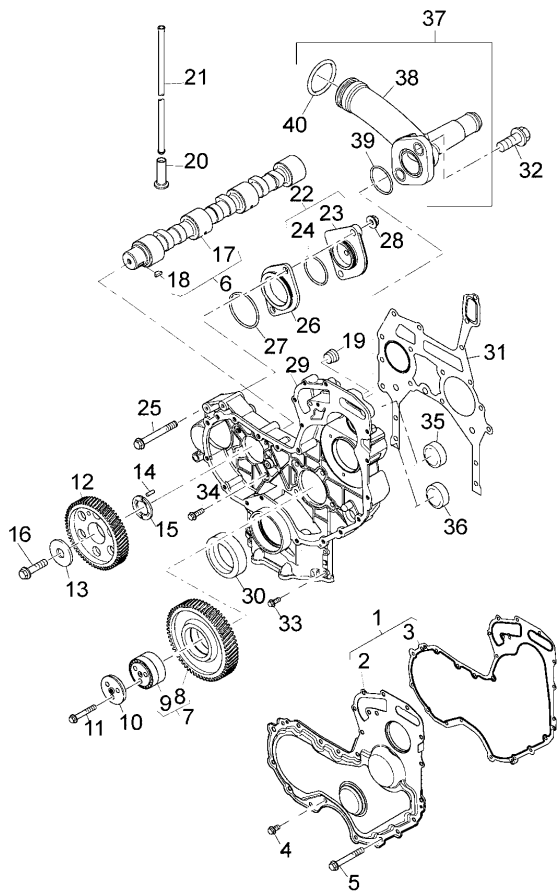
RP52\00040005.png

**A-05
06**



A0506

Timing gear and camshaft



18	0500012	!	6
19	2431154		
20	3142U991	T-A	14:25
21	31434307	T-A	2:75
22	4148K012	T-A	4:75
23		!	22
		➡	Ref.n.22
24	2415H515	T-A	4:75
25	2314J014		
26	3617a044	T-A	4:75
27	2415H516	T-A	4:75
28	2318A604		
29	3716C581	T-A	4:75
30	2418F437	(X)	0.1.3.
		T-A	4:75
31	3681P053	T-A	4:75
32	2314H003		
33	2314H003		
34	2314H034		
35	2485A124		
36	2485A118		
37	4133L049	T-A	4:75
38		!	37
		➡	Ref.n.37

Inglese

- 1 Key
- 1 Plug
- 6 Tappet
- 6 Rod
- 1 Plate
- 1 Plate
- 1 Ring
- 2 Screw
- 1 Disc
- 1 Ring
- 2 Nut
- 1 Housing
- 1 Seal
- 1 Gasket
- 2 Screw
- 8 Screw
- 4 Screw
- 1 Plug
- 1 Plug
- 1 Connection
- 1 Connection

Engine

F/XL Techno Tier 2 (2003-2008) - RP52 - F60 F/GE

RP52\00010921.png

A-05
07



A0507

Oil pump

Inglese

- 1 4132F072 T-A 4:0
- T-B 5:0

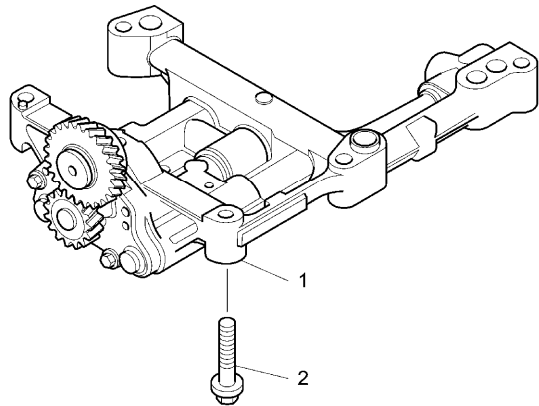
- 2 2314J008

T-A Replacement

T-B Overhaul

- 1 Pump

- 5 Screw



Engine

F/XL Techno Tier 2 (2003-2008) - RP52 - F60 F/GE

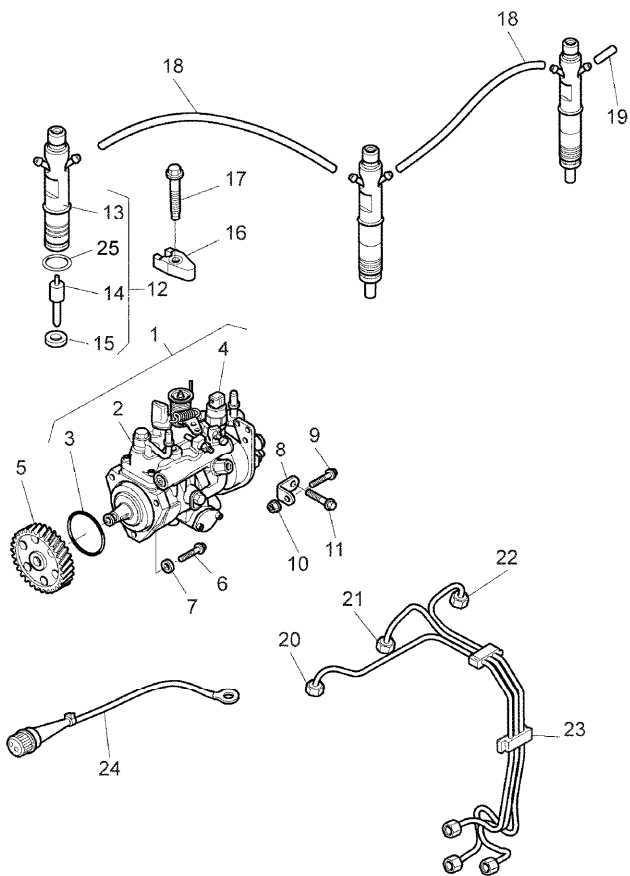
RP52\00040007.png

**A-05
08**



A0508

Fuel injection equipment (diesel)



				Inglese
1	2643B328	T-A	5:0	1 Pump
2		!	1	1 Pump
		➡	Ref.n.1	
3	26420318	!	1	1 Ring
		T-A	4:50	
4	26420469	!	1	1 Solenoid
		(X)	0.1.2.	
		T-A	0:25	
		T-A	4:50	
5	3117L261			1 Gear
6	2314H004			3 Screw
7	2411D008			3 Washer
8	3641A007			1 Stirrup
9	2314H004			1 Screw
10	2318A603			1 Nut
11	2314J002			1 Screw
12	2645K016	T-A	2:0	3 Atomiser
13		!	12	1 Atomiser
		➡	Ref.n.12	
14		!	12	1 Nozzle
		➡	Ref.n.12	
		T-A	2:0	
15	L311FF02	!	12	1 Washer
		T-A	2:0	
16	3751A241	T-A	2:0	3 Clamp
17	2314W009			3 Screw



Suggest:

For more complete manuals. Please go to the home page.

<https://www.ebooklibonline.com>

If the above button click is invalid. Please download this document first, and then click the above link to download the complete manual.

Thank you so much for reading

Engine

A-05
08

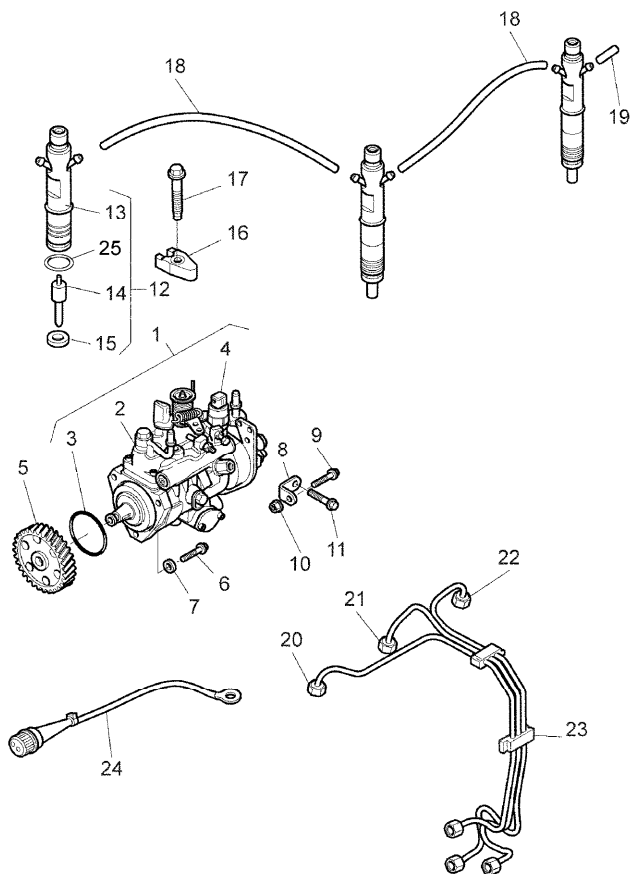
Fuel injection equipment (diesel)

F/XL Techno Tier 2 (2003-2008) - RP52 - F60 F/GE



A0508

RP52\00040007.png



Inglese

18	2646F501	T-A	0:25	2	Pipe
19	2646E501	T-A	0:25	1	Cap
20	3525A111	T-A	0:25	1	Pipe
21	3525A112	T-A	0:25	1	Pipe
22	3525A113	T-A	0:25	1	Pipe
23	2646E018			2	Clip
24	3673286M91			1	Cable
25	26460064	!	12	1	Ring

! This is a component of an assembly

Not serviced, order

(X) Qty per tractors sold (aa.bbb.ccc.ddd) (aa) for 1,(bbb) 2-10 (ccc) 11-25 (ddd) 26-50

T-A Replacement

Engine

F/XL Techno Tier 2 (2003-2008) - RP52 - F60 F/GE

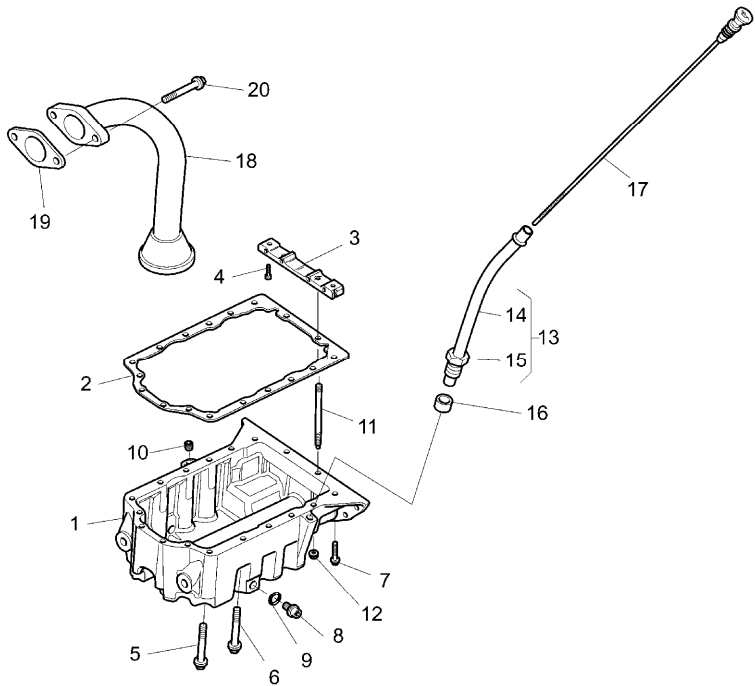
RP52\00010982.png

A-05
09



A0509

Lubricating oil sump



			Inglese
1	3717C142	T-A 2:0	1 Sump
2	3681K038	(X) 0.1.3.	1 Gasket
		T-A 2:0	
3	3627P041	T-A 2:0	1 Crosspiece
4	2311D039		2 Screw
5	2314H022	● 2314H052(2)	2 Screw
6	2314H015		8 Screw
7	2314K159		2 Screw
8	32186405		2 Plug
9	2415715		2 Ring
10	2431A016		1 Plug
11	3211P022		2 Stud
12	2318A603		2 Nut
13	3577A159	T-A 0:25	1 Pipe
14		! 13	1 Pipe
		➡ Ref.n.13	
15	3353D005	! 13	1 Nut
16	33812116	T-A 0:25	1 Olive
17	3178C182	(X) 0.1.3.	1 Rod
		T-A 0:25	
18	3575A064	T-A 2:25	1 Pipe
19	36832137	T-A 2:25	1 Gasket
20	2314H004		2 Screw

! This is a component of an assembly

➡ Not serviced, order

<https://www.ebooklibonline.com>

Hello dear friend!

Thank you very much for reading.

Enter the link into your browser.

The full manual is available for immediate download.

<https://www.ebooklibonline.com>