

Engine

F Top Restyling (2010- ) - RP55 - F120/GE/XL

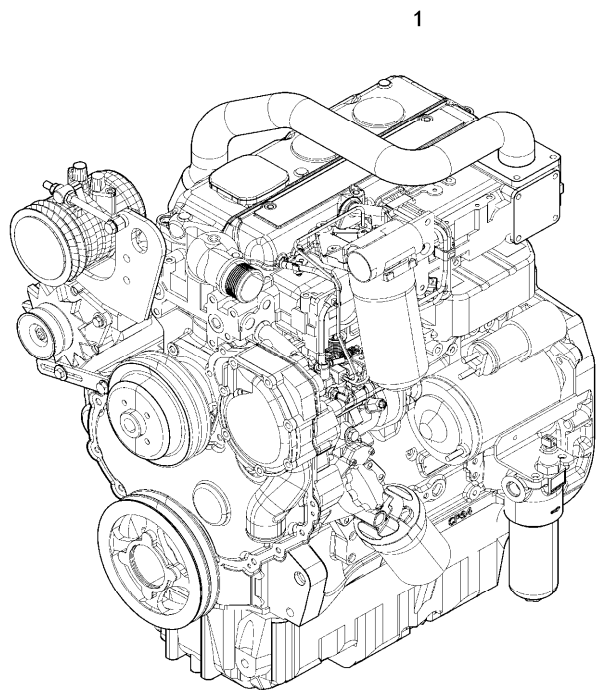
RP55\00005170.png

A-05  
01



A0501

Engine assembly



Inglese

1 6506817M91 "perkins - nm5163 1 Engine  
81 kw

A

1 6510958M91 "perkins - nm5172 1 Engine  
81 kw

B

1 6514893M91 "perkins - nm7097 1 Engine  
81 kw

C

D

- A Tier 3
- B Tier 3b
- C Flexibility engine
- D For market "n.a.o."

Engine

F Top Restyling (2010- ) - RP55 - F120/GE/XL

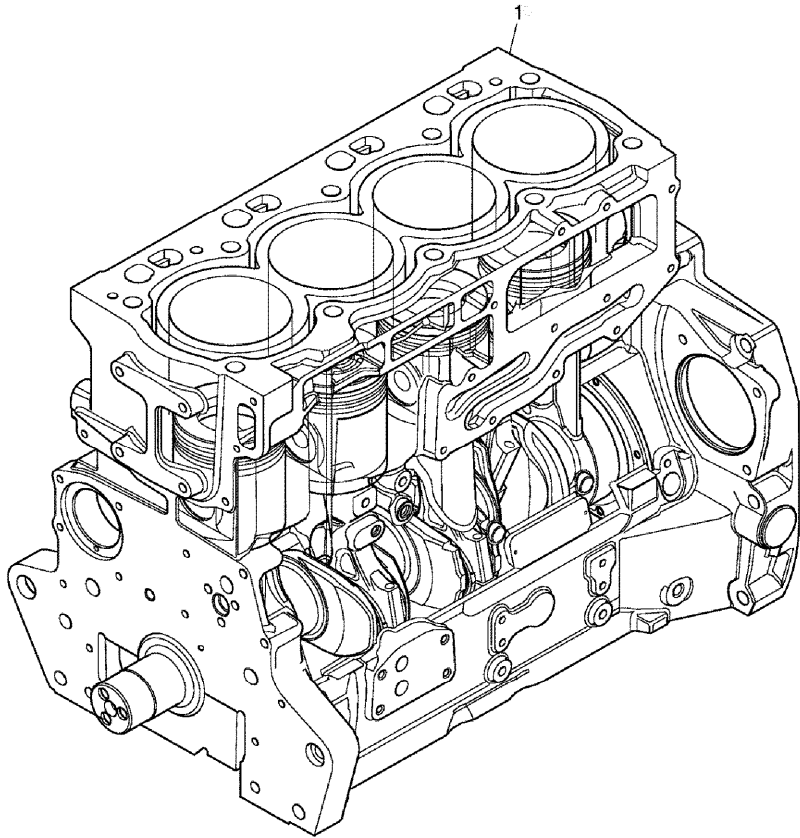
RP55\000015070.png

A-05  
02



A0502

Short engine



1 NM40019

Inglese

1 Short engine

Engine

F Top Restyling (2010- ) - RP55 - F120/GE/XL

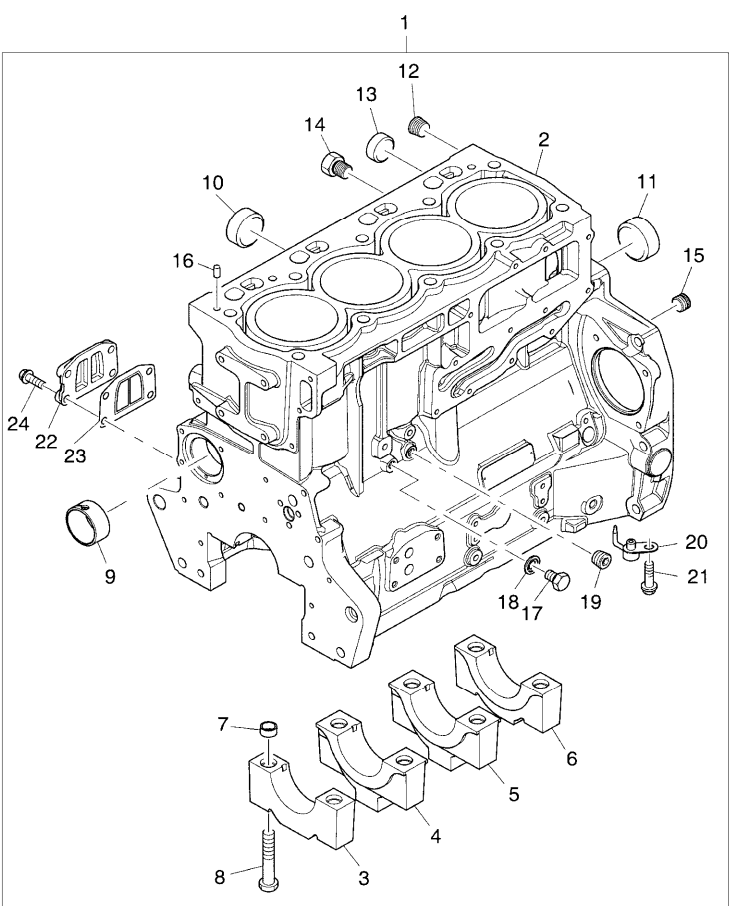
RP55\000015072.png

**A-05  
03**



A0503

Cylinder block



- 1 ZZ50325
- 2
- 3
- 4
- 5
- 6
- 7 33142111
- 8 32166329
- 9 3112D075
- 10 3241A011
- 11 3241A012
- 12 0650588
- 13 0650710
- 14 32141316
- 15 3212P008
- 16 3244A009
- 17 2314C049
- 18 2415D053
- 19 0650594
- 20 2113A003

- !
- ! 1
- ! 1
- ! 1
- ! 1
- ! 1
- !
- !
- !
- !
- !
- !
- !
- !
- !
- !
- !
- !
- !
- !

- 1
- Ref.n.1
- Ref.n.1
- Ref.n.1
- Ref.n.1
- Ref.n.1
- Ref.n.1
- Ref.n.1
- Ref.n.1
- Ref.n.1
- Ref.n.1
- Ref.n.1
- Ref.n.1
- Ref.n.1
- Ref.n.1
- Ref.n.1
- Ref.n.1
- Ref.n.1
- Ref.n.1

**Inglese**

- 1 Kit
- 1 Cylinder block
- 1 Bearing
- 2 Bearing
- 1 Bearing
- 1 Bearing
- 10 Manicott
- 10 Screw
- 1 Bush
- 2 Plug
- 1 Plug
- 1 Plug
- 1 Plug
- 1 Plug
- 1 Plug
- 2 Dowel
- 1 Screw
- 1 Washer
- 1 Plug
- 4 Atomiser

**<https://www.ebooklibonline.com>**

Hello dear friend!

Thank you very much for reading.

Enter the link into your browser.

The full manual is available for immediate download.

**<https://www.ebooklibonline.com>**

Engine

F Top Restyling (2010- ) - RP55 - F120/GE/XL

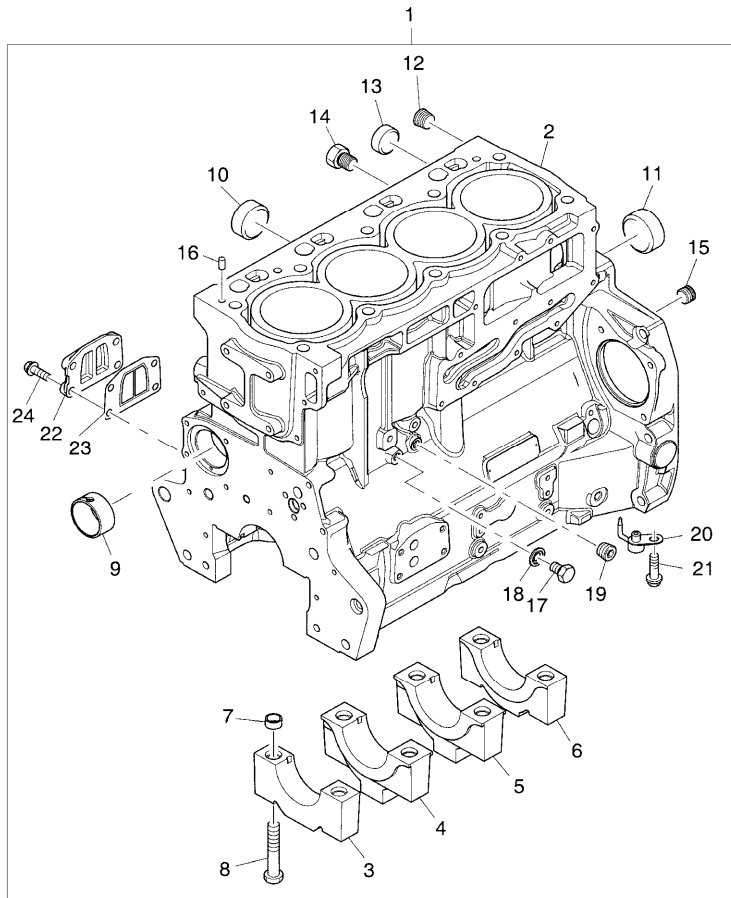
RP55\000015072.png

A-05  
03



A0503

Cylinder block



- 21 2314F001 ! 1
- 22 3753A071 ! 1
- 23 3688A041 ! 1
- 24 2314H034 ! 1

! This is a component of an assembly  
Not serviced, order

Inglese

- 4 Screw
- 1 Coperch.
- 1 Ring
- 4 Screw

Engine

F Top Restyling (2010- ) - RP55 - F120/GE/XL

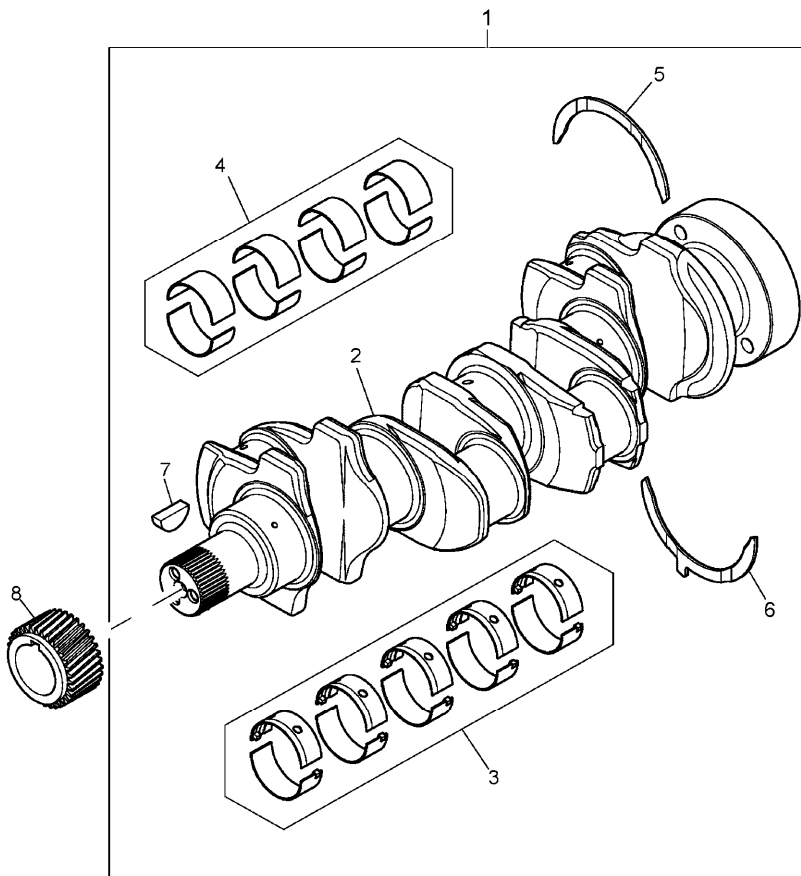
RP55\000015073.png

A-05  
04



A0504

Camshaft



		Inglese	
1	ZZ90222	➔ U056074 t	1 Kit
		● ZZ90239(1)	
1	ZZ90237	➔ U056075 t	1 Shaft
2		! 1	1 Shaft
		➔ Ref.n.1	
3	U5MB0018	! 1	1 Kit
		➔ U056074 t	
		● U5MB0033(1)	
		T-A 15:0	
3	U5MB0018A	! 1	1 Kit
		⚡ 0.010"	
		➔ U056074 t	
		● U5MB0033A(1)	
		T-A 15:0	
3	U5MB0018B	! 1	1 Kit
		⚡ 0.020"	
		➔ U056074 t	
		● U5MB0033B(1)	
		T-A 15:0	
3	U5MB0018C	! 1	1 Kit
		⚡ 0.030"	
		➔ U056074 t	
		● N.L.A.(1)	
		T-A 15:0	
3	U5MB0033	! 1	1 Kit
		➔ U056075 t	

Engine

F Top Restyling (2010- ) - RP55 - F120/GE/XL

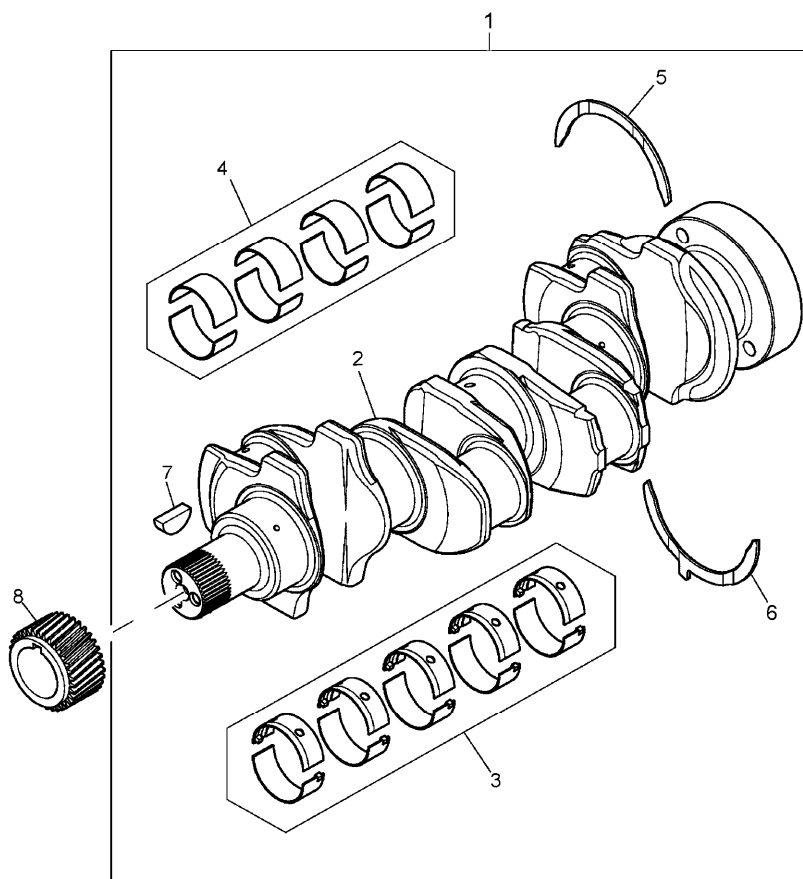
RP55\000015073.png

A-05  
04



A0504

Camshaft



Inglese

3	U5MB0033A	!	1	1 Kit
		⚡	-0,25mm	
		➔	U056075 t	
3	U5MB0033B	!	1	1 Kit
		⚡	-0,50mm	
		➔	U056075 t	
3	U5MB0033C	!	1	1 Kit
		⚡	-0,75mm	
		➔	U056075 t	
		●	N.L.A.(1)	
4	T400002	!	1	1 Kit
		➔	U056075 t	
		●	T410927(1)	
4	U5ME0026	!	1	1 Kit
		➔	U056074 t	
		●	U5ME0034(1)	
4	U5ME0026A	!	1	1 Kit
		⚡	0.25mm	
		➔	U056074 t	
		●	U5ME0034A(1)	
4	U5ME0026B	!	1	1 Kit
		⚡	0.50mm	
		➔	U056074 t	
		●	U5ME0034B(1)	

Engine

F Top Restyling (2010- ) - RP55 - F120/GE/XL

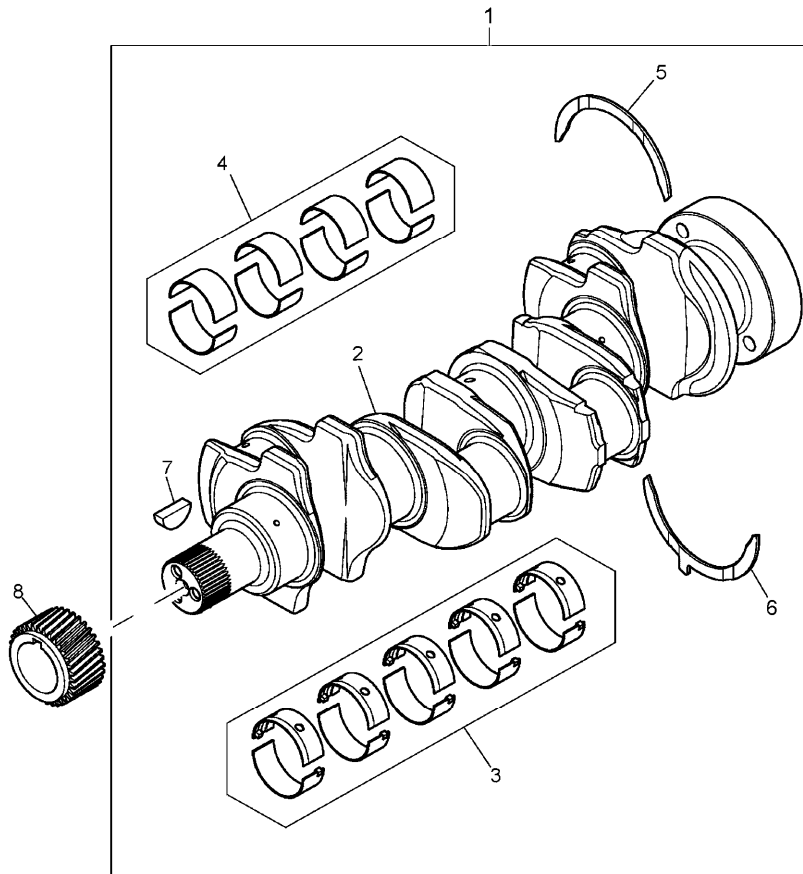
RP55\000015073.png

A-05  
04



A0504

Camshaft



		Inglese	
4	U5ME0026C	! 1	1 Kit
		✂ 0.75mm	
		➔ U056074 t	
		● U5ME0034C(1)	
5	31137312	! 1	2 Ring
		✂ 0.007"	
		T-A 15:0	
5	31137551	! 1	2 Washer
		T-A 15:0	
6	31137322	! 1	2 Ring
		✂ 0.007"	
		T-A 15:0	
6	31137561	! 1	2 Washer
		T-A 15:0	
7	0500012	! 1	1 Key
		T-A 10:0	
8	3117C221	T-A 10:0	1 Gear
		!	This is a component of an assembly
		➔	From serial or engine number
		➔	Up to serial or engine number
		🛠	Not serviced, order
		✂	Shim
		●	Replacement
		T-A	Replacement

Engine

F Top Restyling (2010- ) - RP55 - F120/GE/XL

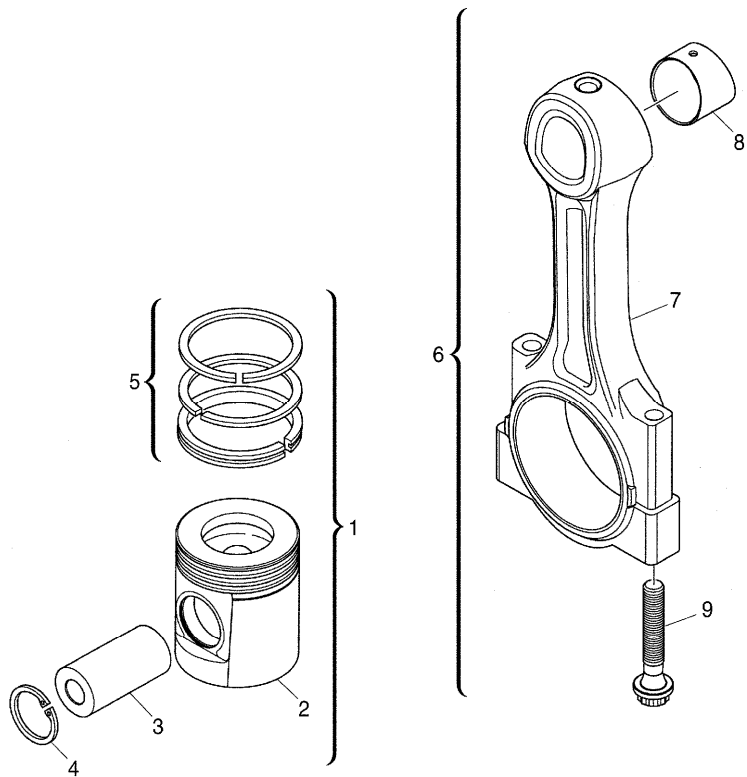
RP55\000020562.png

A-05  
05



A0505

Pistons and connecting rods



			Inglese
1	U5PR0062	Std	4 Kit
1	U5PR0062B	+0,5 mm	4 Kit
2		!	1 Piston
		➡	Ref.n.1
3		!	1 Piston
		➡	Ref.n.1
4	2721332	!	2 Ring
5	UPRK0005	!	1 Kit
6	4115C311	➡	4 Kit
		A	
6	4115C312	➡	4 Kit
		B	
6	4115C313	➡	4 Kit
		C	
6	4115C314	➡	4 Kit
		D	
6	4115C315	➡	4 Kit
		E	
6	4115C316	➡	4 Kit
		F	
6	4115C361	➡	4 Conrod
		A	
6	4115C362	➡	4 Conrod
		B	
6	4115C363	➡	4 Conrod
		C	

Engine

F Top Restyling (2010- ) - RP55 - F120/GE/XL

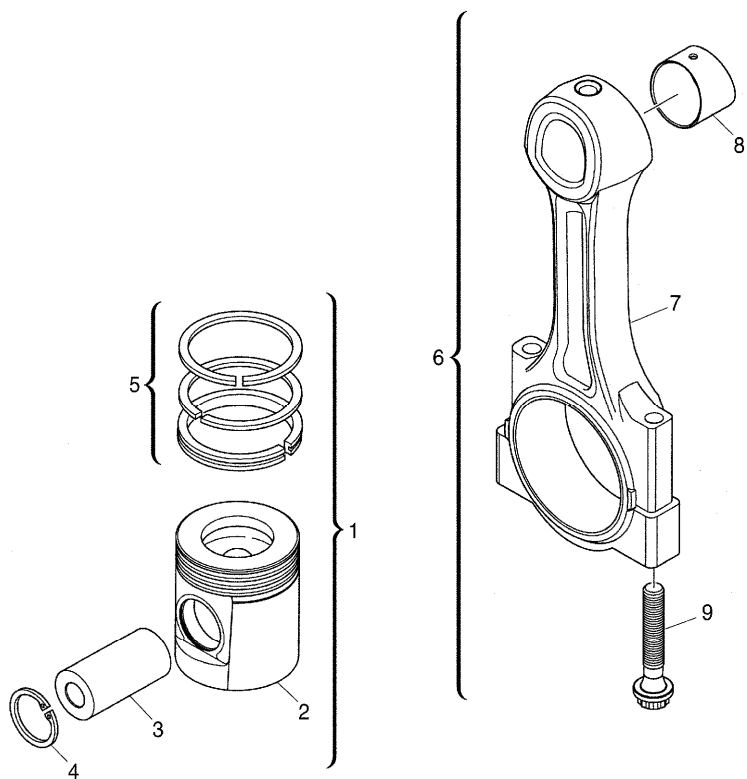
RP55\000020562.png

**A-05**  
**05**



A0505

Pistons and connecting rods



			Inglese
6	4115C364	➡ U056075 t D	4 Conrod
6	4115C365	➡ U056075 t E	4 Conrod
6	4115C366	➡ U056075 t F	4 Conrod
7		! 6 ➡ Ref.n.6	1 Conrod
8	3112A005	! 6	1 Bush
9	3212V003	! 6 ➡ U056074 t	2 Screw
9	T400001	! 6 ➡ U056075 t	2 Screw

- ! This is a component of an assembly
- ➡ From serial or engine number
- ➡ Up to serial or engine number
- ➡ Not serviced, order
- A Red
- B Orange
- C White
- D Green
- E Purple
- F Blue

Engine

F Top Restyling (2010- ) - RP55 - F120/GE/XL

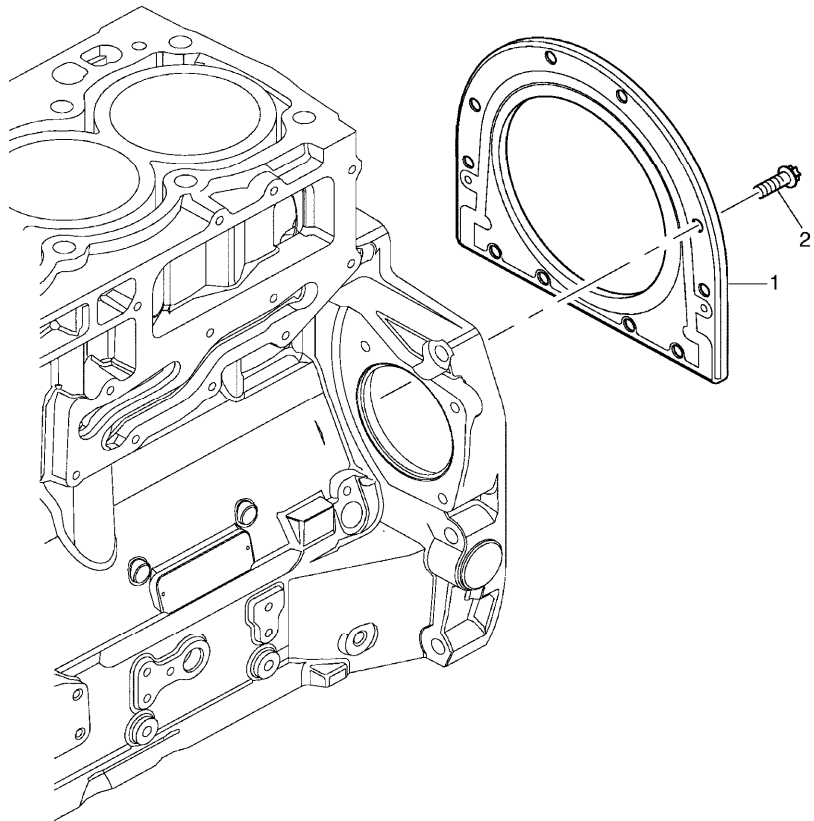
RP55\000015074.png

A-05  
06



A0506

End cover



1 2418F704 T-A 9:0

2 3211C002

T-A Replacement

Inglese

1 Housing

10 Screw

Engine

F Top Restyling (2010- ) - RP55 - F120/GE/XL

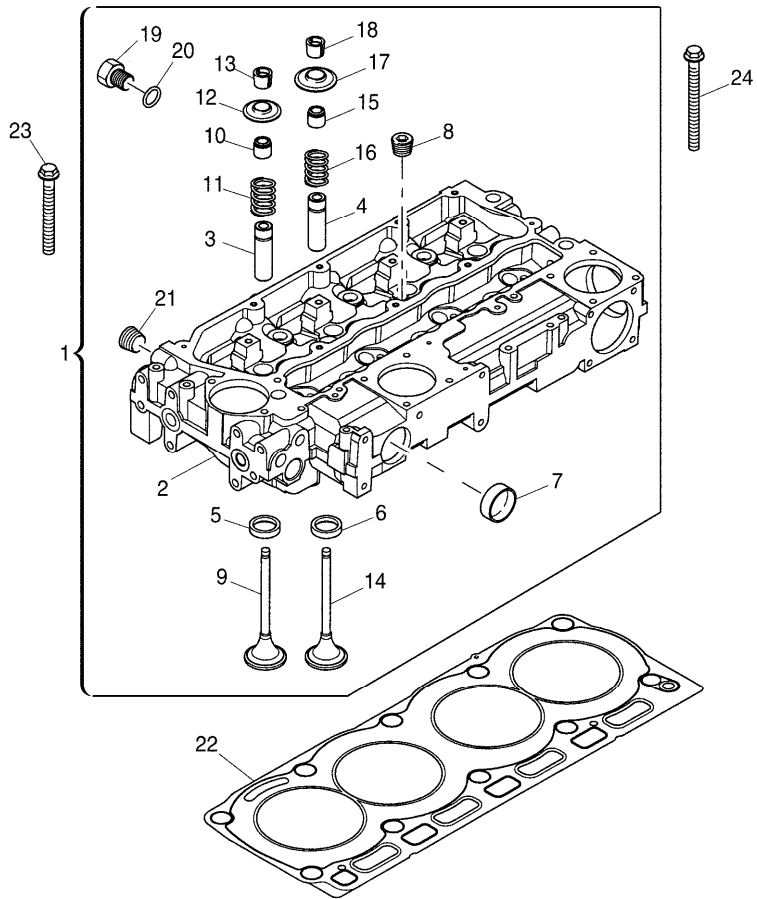
RP55\000020527.png

**A-05  
07**



A0507

Cylinder head



1	ZZ80280		
2		!	1
3	3313A012	!	1
4	3313A012	!	1
5	3314A221	!	1
6	3314A231	!	1
7	32416117	!	1
8	0650588	!	1
9	3142H101	!	1
10	2418M519	!	1
	A		
11	3174A031	!	1
	●	T417479(4)	
12	3342A021	!	1
13	2714A002	!	1
14	3142A171	!	1
15	2418M517	!	1
	B		
16	3174A031	!	1
	●	T417479(4)	
17	3342A021	!	1
18	2714A002	!	1
19	3278A006	!	1
20	2415H003	!	1

**Inglese**

1	Cylinder head
1	Kit
4	Insert
4	Insert
4	Insert
4	Insert
2	Plug
4	Plug
4	Valve
4	Ring
4	Spring
4	Coperch.
8	Collar
4	Valve
4	Ring
4	Spring
4	Coperch.
8	Collar
1	Plug
1	Ring

Engine

A-05  
07

Cylinder head

F Top Restyling (2010- ) - RP55 - F120/GE/XL



A0507

RP55\000020527.png

Inglese

21 2431154 ! 1

2 Plug

22 3681E051

1 Gasket

23 3218A011

7 Screw

24 3218A012

3 Screw

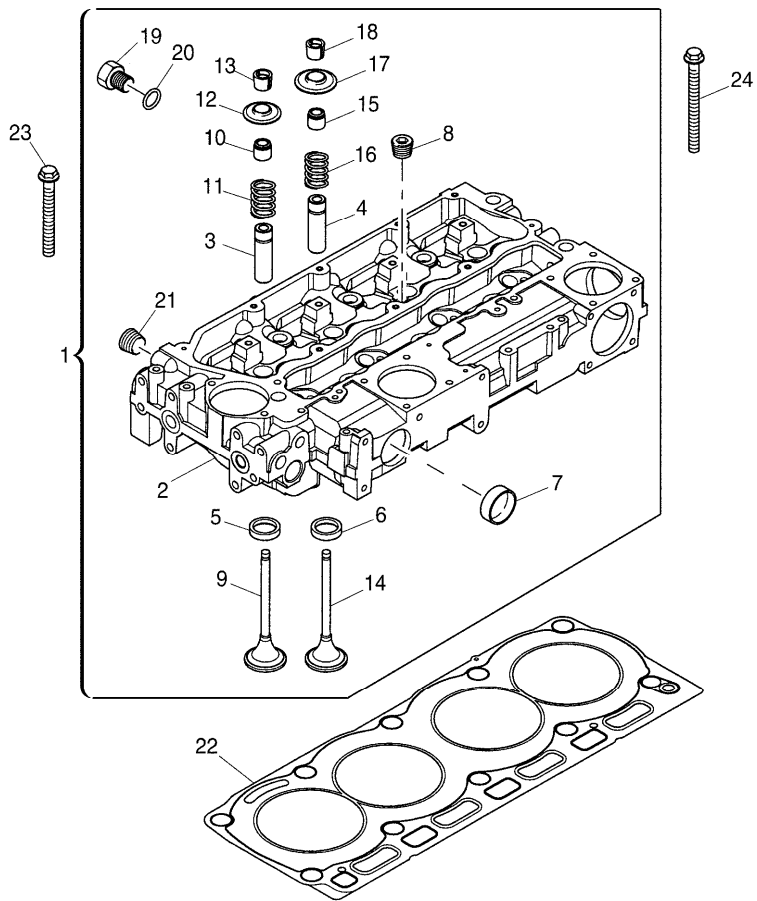
! This is a component of an assembly

Not serviced, order

Replacement

A Green

B Brown



Engine

F Top Restyling (2010- ) - RP55 - F120/GE/XL

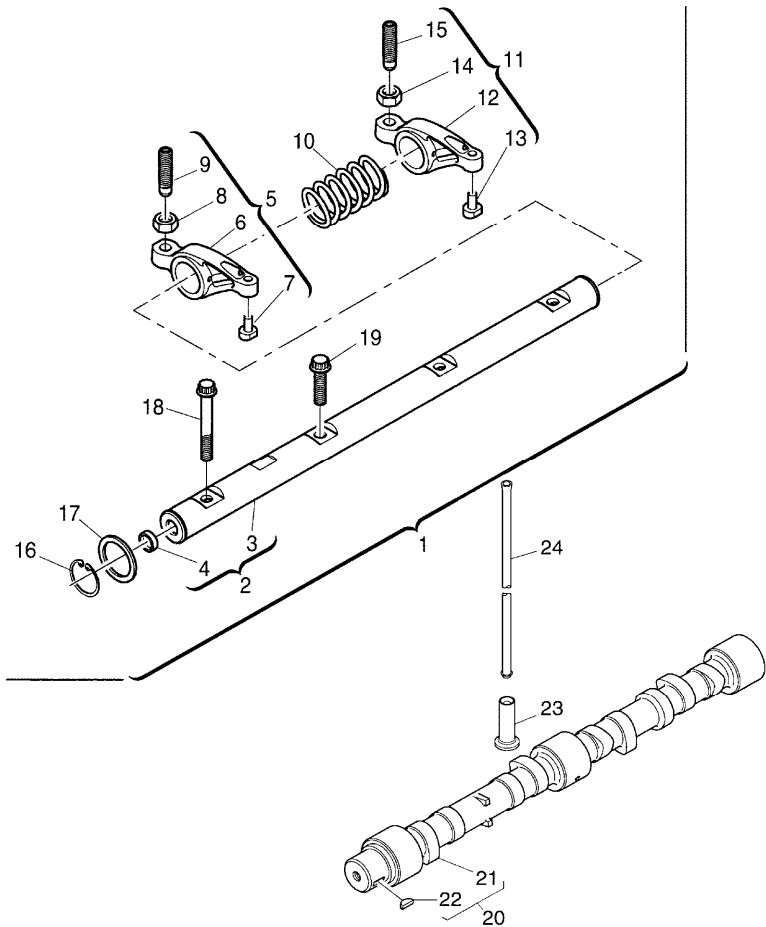
RP55\000015075.png

A-05  
08



A0508

Rocker shaft



		Inglese
1	4115R613	1 Axle
2	4115R703	1 Shaft
	T-A 4:0	
3	!	1 Axle
	➡ Ref.n.2	
4	2485A104	2 Plug
5	4115R319	4 Lever
6	!	1 Rocker
	➡ Ref.n.5	
7	!	1 Pad
	➡ Ref.n.5	
8	3331A006	1 Nut
9	3211C004	1 Screw
10	3174A015	3 Spring
	T-A 4:0	
11	4115R318	4 Lever
12	!	1 Rocker
	➡ Ref.n.11	
13	!	1 Pad
	➡ Ref.n.11	
14	3331A006	1 Nut
15	3211C004	1 Screw
16	2722A022	2 Ring
17	2134A502	2 Washer
18	2316A901	1 Screw

Engine

F Top Restyling (2010- ) - RP55 - F120/GE/XL

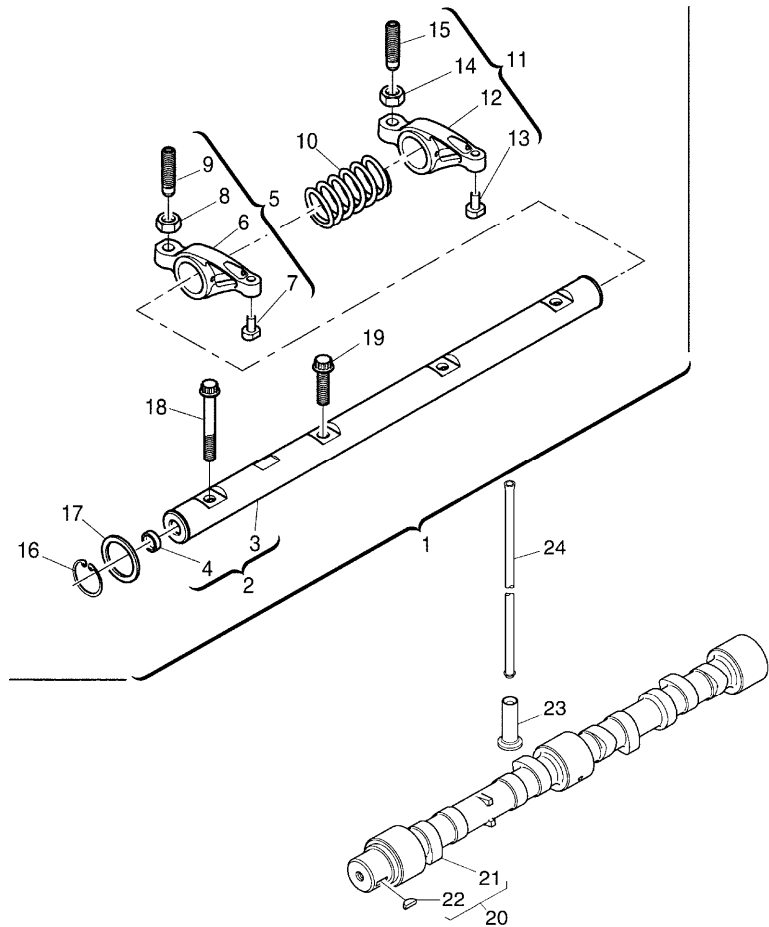
RP55\000015075.png

A-05  
08



A0508

Rocker shaft



Inglese

19	2316A902	!	1	3	Screw
20	4112K078			1	Shaft
21		!	20	1	Shaft
		➡	Ref.n.20		
22	0500012	!	20	1	Key
23	3142U061			8	Tappet
24	3142V011			8	Rod

! This is a component of an assembly  
 ➡ Not serviced, order  
 T-A Replacement

Engine

F Top Restyling (2010- ) - RP55 - F120/GE/XL

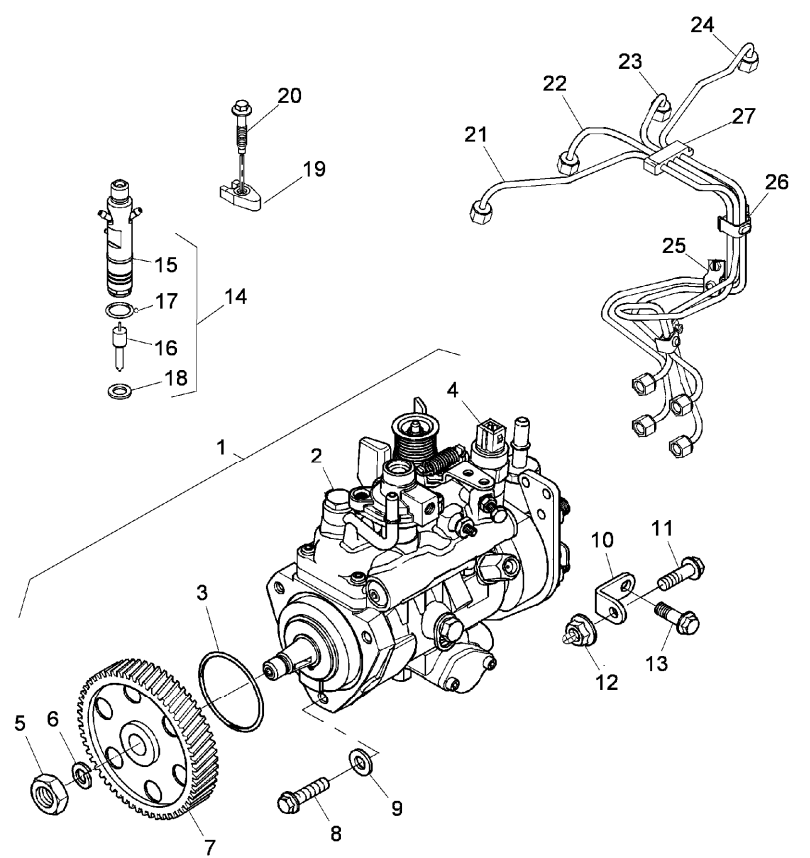
RP55\00007943.png

**A-05  
09**



A0509

Fuel injection equipment (diesel)



			Inglese
1	2644C311/22		1 Pump
2		! 1	1 Pump
		➡ Ref.n.1	
3	26420318	! 1	1 Ring
		T-A 4:50	
4	26420469	! 1	1 Solenoid
		(X) 1.2.5.	
		T-A 0:25	
5	2318A108	! 1	1 Nut
6	K134AF01	! 1	1 Washer
7	3117L261		1 Gear
8	2314H004		3 Screw
9	2411D008		3 Washer
10	3641A007		1 Stirrup
11	2314H003		1 Screw
12	2318A603		1 Nut
13	2314J002		1 Screw
14	2645K026		4 Nozzle
15		! 14	1 Support
		➡ Ref.n.14	
16		! 14	1 Nozzle
		➡ Ref.n.14	
17	26460064	! 14	1 Ring
18	L311FF02	! 14	1 Washer
19	3751A241		4 Clamp

Engine

F Top Restyling (2010- ) - RP55 - F120/GE/XL

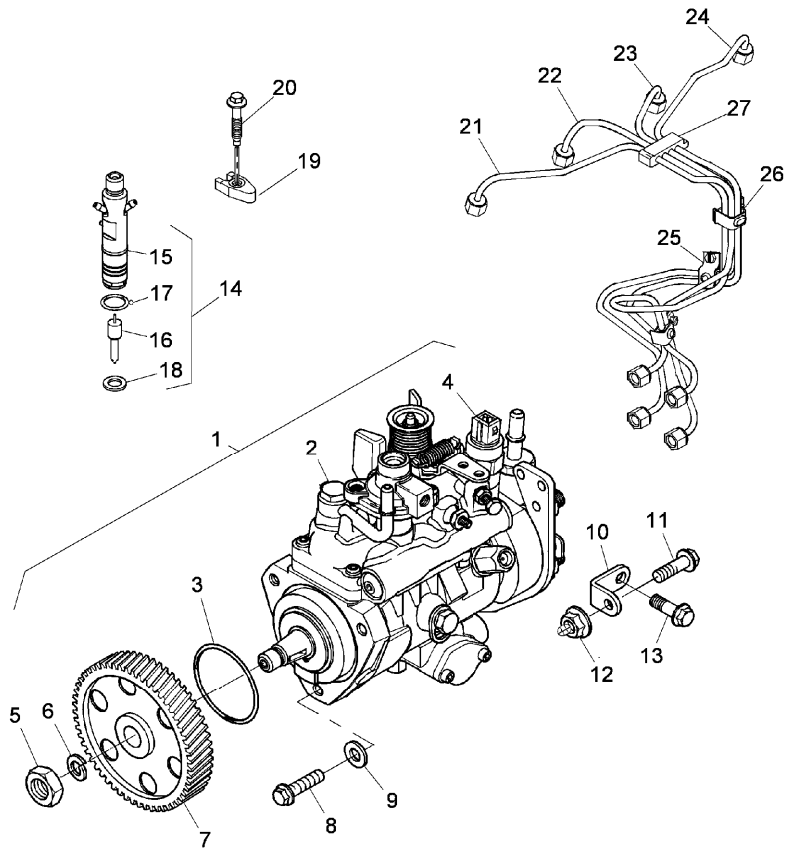
RP55\00007943.png

A-05  
09



A0509

Fuel injection equipment (diesel)



Inglese

- |    |          |   |       |
|----|----------|---|-------|
| 20 | 2314W009 | 4 | Screw |
| 21 | 3525A101 | 1 | Pipe  |
| 22 | 3525A102 | 1 | Pipe  |
| 23 | 3525A103 | 1 | Pipe  |
| 24 | 3525A104 | 1 | Pipe  |
| 25 | 2481Y011 | 2 | Clip  |
| 26 | 2481Y012 | 1 | Clip  |
| 27 | 2646E019 | 1 | Clip  |
- ! This is a component of an assembly  
 ▣ Not serviced, order  
 (X) Qty per tractors sold (aa.bbb.ccc.ddd) (aa) for 1,(bbb) 2-10 (ccc) 11-25 (ddd) 26-50  
 T-A Replacement

Engine

F Top Restyling (2010- ) - RP55 - F120/GE/XL

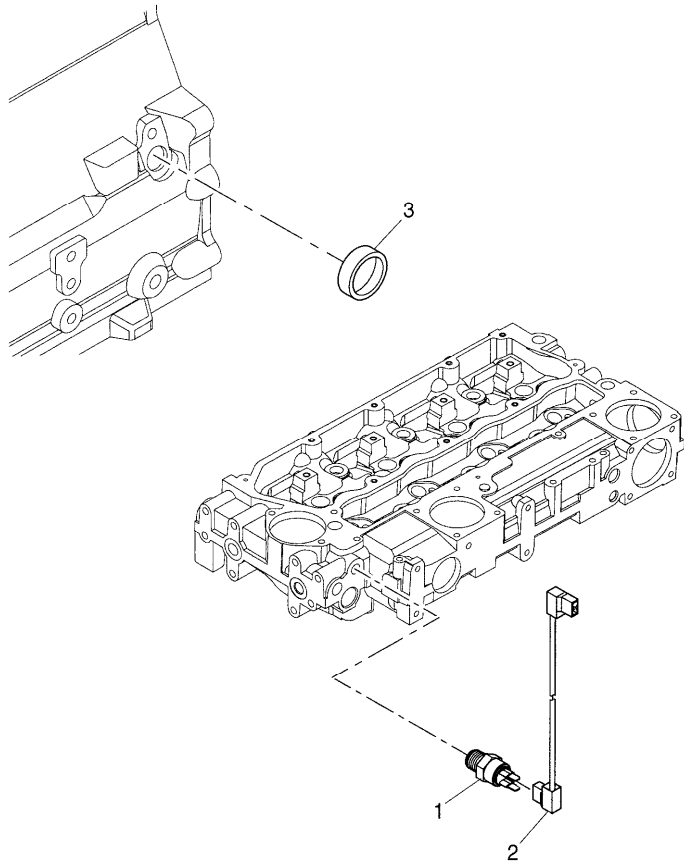
RP55\000020530.png

A-05  
10



A0510

Sensor pickup



- 1 2848A123 A
- 2 3161C017
- 3 2485A109
- A Water temperature

Inglese

- 1 Sensor
- 1 Cable
- 1 Plug

Engine

F Top Restyling (2010- ) - RP55 - F120/GE/XL

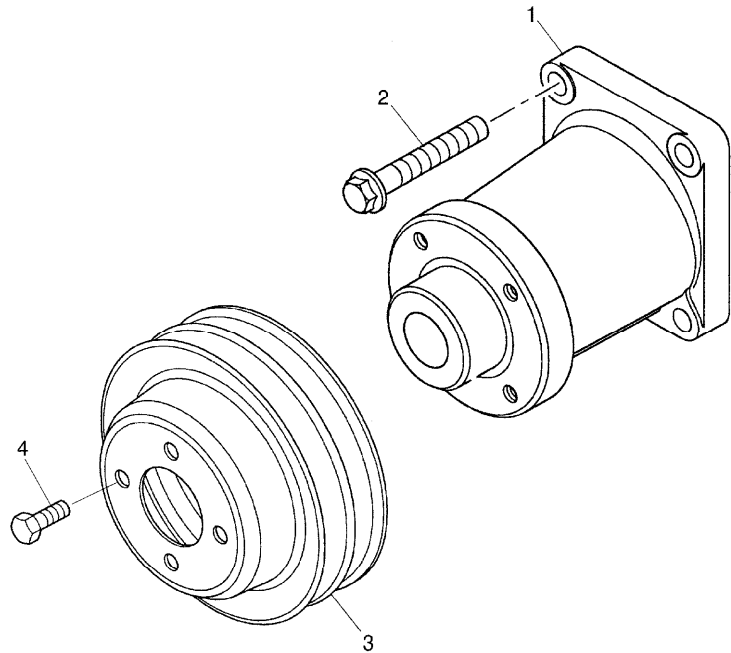
RP55\000015079.png

**A-05**  
**11**



A0511

Fan-type pulley



- 1 4113K005 T-A 1:75
  - 2 2314J005
  - 3 3115C161
  - 4 2314C044
- T-A Replacement

**Inglese**

- 1 Housing
- 4 Screw
- 1 Pulley
- 4 Screw

Engine

F Top Restyling (2010- ) - RP55 - F120/GE/XL

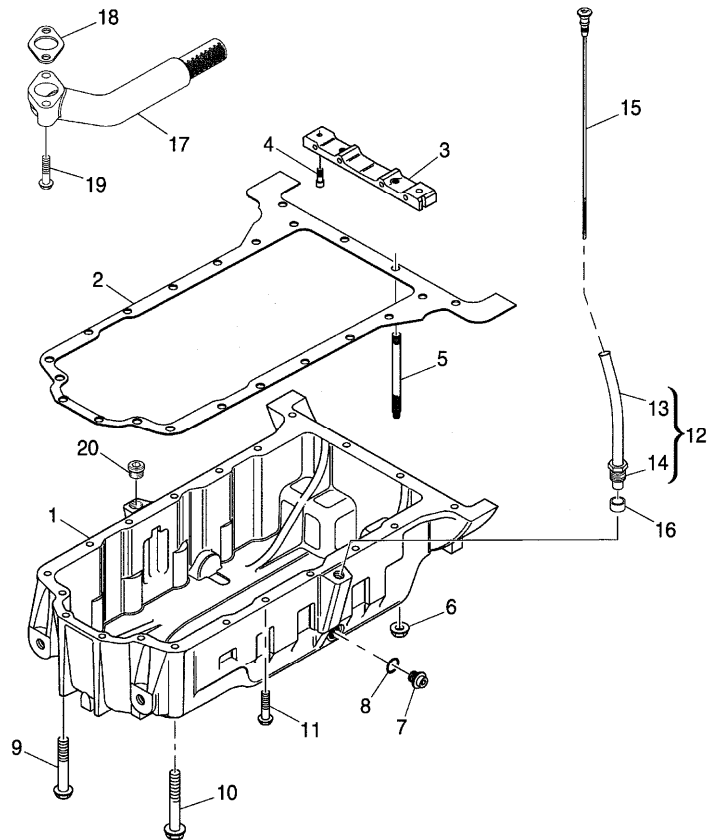
RP55\000014129.png

A-05  
12



A0512

Lubricating oil sump



- |    |          |     |             |
|----|----------|-----|-------------|
| 1  | 3717E271 |     |             |
| 2  | 3681K036 | (X) | 1.2.5.      |
|    |          | T-A | 1:50        |
| 3  | 3627P041 | T-A | 1:50        |
| 4  | 2311D039 |     |             |
| 5  | 3211P013 |     |             |
| 6  | 2318A603 |     |             |
| 7  | 32186405 | T-A | 0:25        |
| 8  | 2415715  | T-A | 0:25        |
| 9  | 2314H023 |     |             |
| 10 | 2314H022 | ●   | 2314H052(1) |
| 11 | 2314H015 |     |             |
| 12 | 3577A125 | T-A | 0:25        |
| 13 |          | !   | 12          |
|    |          | ➡   | Ref.n.12    |
| 14 | 3353D005 | !   | 12          |
| 15 | 3178C081 | T-A | 0:25        |
| 16 | 33812116 |     |             |
| 17 | 3765A091 | T-A | 1:75        |
| 18 | 36832137 | T-A | 1:75        |
| 19 | 2314H006 |     |             |
| 20 | 2431A016 |     |             |

Inglese

- |    |            |
|----|------------|
| 1  | Crankcase  |
| 1  | Gasket     |
| 1  | Crosspiece |
| 2  | Screw      |
| 2  | Stud       |
| 2  | Nut        |
| 2  | Plug       |
| 2  | Ring       |
| 5  | Screw      |
| 1  | Screw      |
| 12 | Screw      |
| 1  | Pipe       |
| 1  | Pipe       |
| 1  | Nut        |
| 1  | Rod        |
| 1  | Olive      |
| 1  | Pipe       |
| 1  | Gasket     |
| 2  | Screw      |
| 1  | Plug       |

! This is a component of an assembly

➡ Not serviced, order

● Replacement

Engine

F Top Restyling (2010- ) - RP55 - F120/GE/XL

RP55\000014129.png

A-05  
12

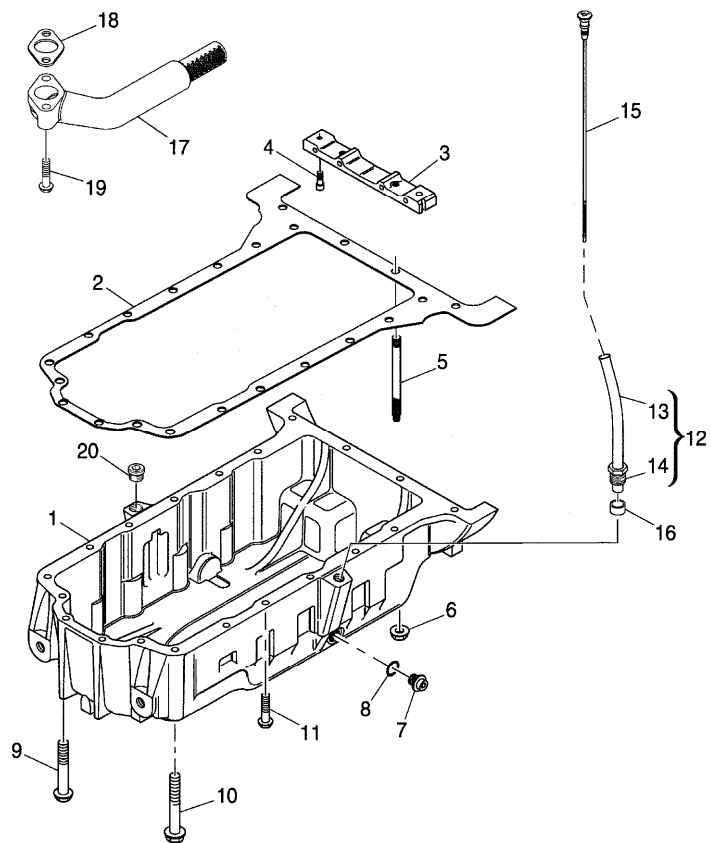


A0512

Lubricating oil sump

(X) Qty per tractors sold (aa.bbb.ccc.ddd) (aa) for 1,(bbb) 2-10 (ccc) 11-25 (ddd) 26-50

T-A Replacement



Engine

F Top Restyling (2010- ) - RP55 - F120/GE/XL

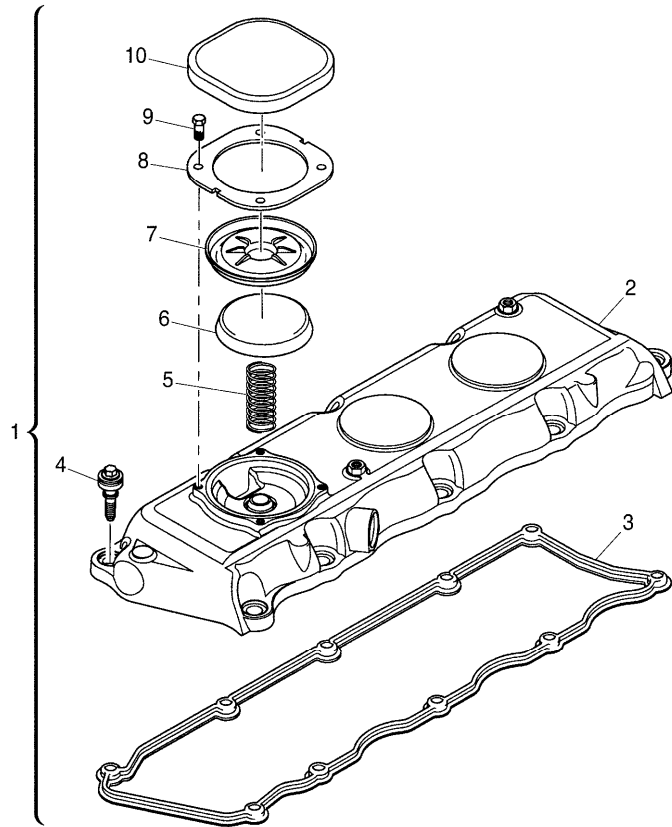
RP55\000020533.png

**A-05  
13**



A0513

Cylinder head cover



		Inglese	
1	4142X322	● T417513(1)	1 Guard
2		! 1	1 Cover
3	3681A055	▣ Ref.n.1	1 Gasket
		(X) 1.2.5.	
		T-A 1:0	
4	2161A013	! 1	10 Screw
5	3174A017	! 1	1 Spring
		T-A 0:25	
6	3788A002	! 1	1 Cap
		T-A 0:25	
7	3789A001	! 1	1 Diaphragm
		T-A 0:25	
8	3615A009	! 1	1 Plate
		T-A 0:25	
9	2151A001	! 1	4 Screw
10	3788A003	! 1	1 Cap
		T-A 0:25	
	!	This is a component of an assembly	
	▣	Not serviced, order	
	●	Replacement	
	(X)	Qty per tractors sold (aa.bbb.ccc.ddd) (aa) for 1,(bbb) 2-10 (ccc) 11-25 (ddd) 26-50	
	T-A	Replacement	

Engine

F Top Restyling (2010- ) - RP55 - F120/GE/XL

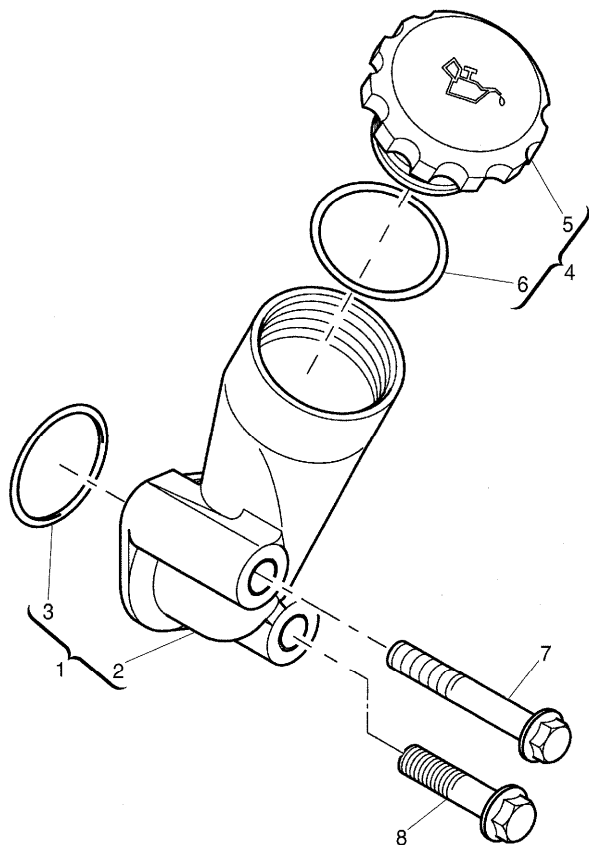
RP55\000020589.png

A-05  
14



A0514

Filler



			Inglese
1	4134C073		1 Filler
2		! 1	1 Body
		➡ Ref.n.1	
3	2415H651	! 1	1 O ring
		T-A 0:25	
4	4142X098	! 1	1 Plug
		T-A 0:25	
5		! 4	1 Plug
		➡ Ref.n.4	
6	2415633	! 4	1 O ring
		T-A 0:25	
7	2314K161		1 Screw
8	2314H008		1 Screw
!	This is a component of an assembly		
➡	Not serviced, order		
T-A	Replacement		

Engine

F Top Restyling (2010- ) - RP55 - F120/GE/XL

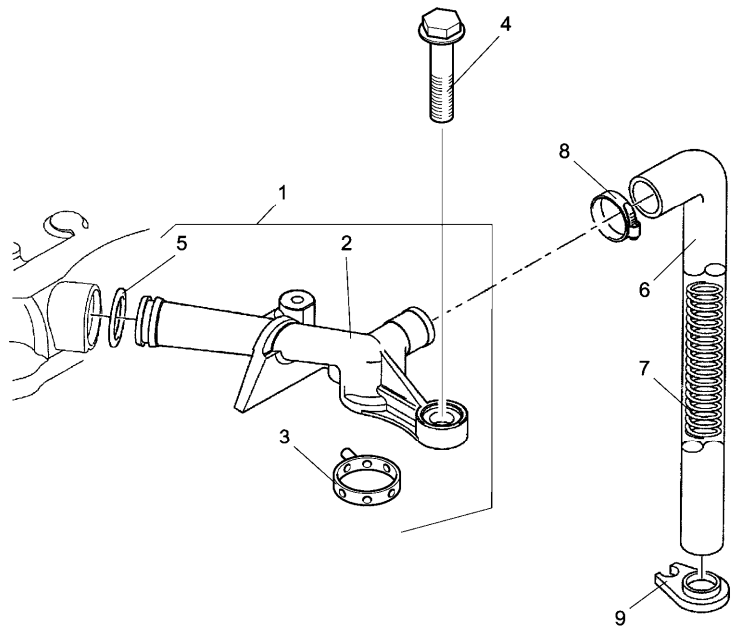
RP55\000014130.png

A-05  
15



A0515

Breather



- |     |                                    |     |         |  |
|-----|------------------------------------|-----|---------|--|
| 1   | 4134K022                           |     |         |  |
| 2   |                                    | !   | 1       |  |
|     |                                    | ➡   | Ref.n.1 |  |
| 3   | 2415H701                           | !   | 1       |  |
| 4   | 2314F005                           |     |         |  |
| 5   | 2415A068                           | !   | 1       |  |
|     |                                    | T-A | 0:50    |  |
| 6   | 33872632                           | T-A | 0:25    |  |
| 7   | 3175P003                           |     |         |  |
| 8   | 2481877                            |     |         |  |
| 9   | 36241123                           | T-A | 0:25    |  |
| !   | This is a component of an assembly |     |         |  |
| ➡   | Not serviced, order                |     |         |  |
| T-A | Replacement                        |     |         |  |

Inglese

- |   |         |
|---|---------|
| 1 | Pipe    |
| 1 | Pipe    |
| 1 | Ring    |
| 2 | Screw   |
| 1 | Ring    |
| 1 | Pipe    |
| 1 | Nut     |
| 1 | Clamp   |
| 1 | Support |

Engine

F Top Restyling (2010- ) - RP55 - F120/GE/XL

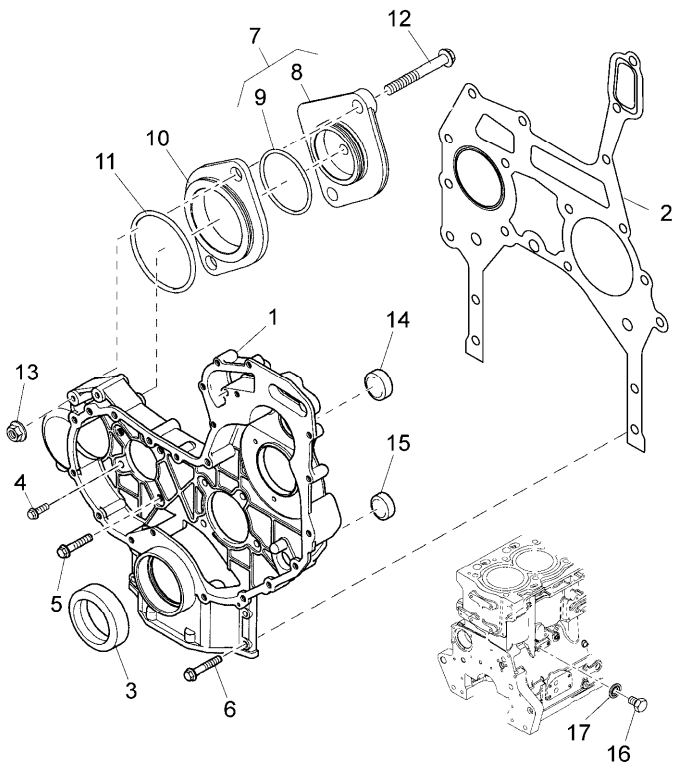
RP55\000015081.png

**A-05  
16**



A0516

Gasket sets



		Inglese
1	3716C581	1 Housing
2	3681P053	1 Gasket
3	2418F437	1 Seal
4	2314H003	6 Screw
5	2314H006	2 Screw
6	2314H034	4 Screw
7	4148K012	1 Plate
8	!	7
	➡	Ref.n.7
9	2415H515	1 Ring
10	3617a044	1 Disc
11	2415H516	1 O ring
12	2314J014	2 Screw
13	2318A604	2 Nut
14	2485A124	1 Plug
15	2485A124	1 Plug
16	2314C049	1 Screw
17	2415D053	1 Washer
!	This is a component of an assembly	
➡	Not serviced, order	
T-A	Replacement	

Engine

F Top Restyling (2010- ) - RP55 - F120/GE/XL

RP55\00008152.png

A-05  
17



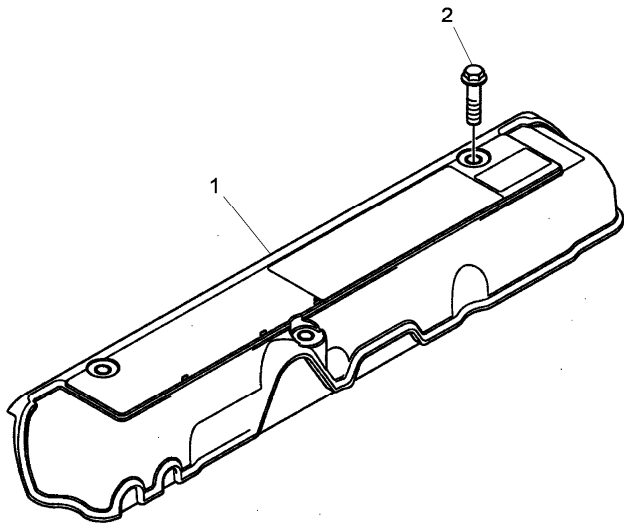
A0517

Cylinder head cover

Inglese

- 1 3788N003
- 2 2314F003

- 1 Cover
- 3 Screw



Engine

F Top Restyling (2010- ) - RP55 - F120/GE/XL

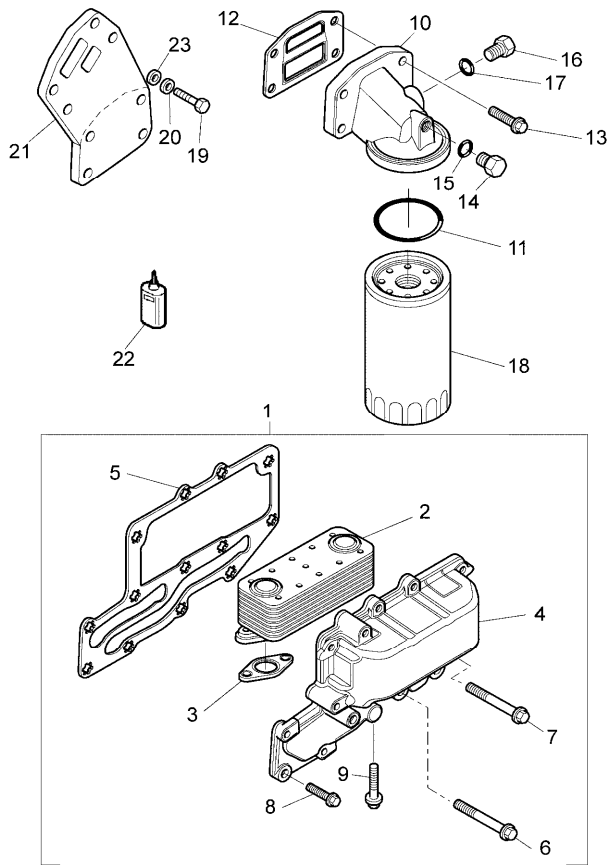
RP55\000015215.png

**A-05  
18**



A0518

Heat exchanger and lubricating oil filter



		Inglese
1	4134W025	1 Radiator
2	2486A217 ! 1	1 Exchanger
3	3685A025 ! 1	2 Ring
	T-A 1:0	
4	! 1	1 Exchanger
	➡ Ref.n.1	
5	3685A033 ! 1	1 Gasket
6	2314K161 ! 1	3 Screw
7	2314H004 ! 1	8 Screw
8	2311D060 ! 1	2 Screw
9	2314H006 ! 1	4 Screw
10	3773A061	1 Head
11	3672135M1	2 Gasket
12	3688A039 T-A 0:50	1 Gasket
13	2314H034	4 Screw
14	3278A007	1 Plug
15	2415H009 T-A 0:25	1 O ring
16	3278A004	1 Plug
17	2415H002 T-A 0:25	1 Ring
18	3652517M91 ● 2654403(1)	1 Filter
19	1440349X1 M8x30	4 Screw
19	339011X1 M8x45	4 Screw
20	390972X1 ● Substitutions error	4 Washer
21	3670728M1	1 Support
22	3663814M1 ● 1427801M2(999) 999 Loctite	

Engine

A-05  
18

Heat exchanger and lubricating oil filter

F Top Restyling (2010- ) - RP55 - F120/GE/XL

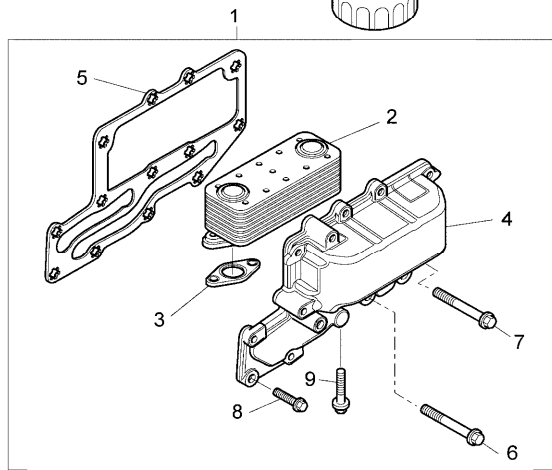
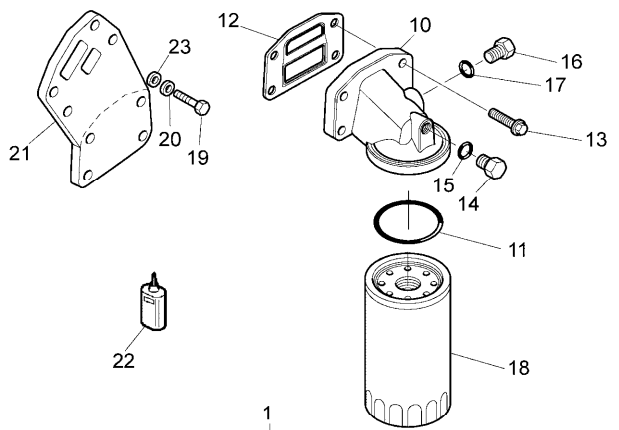


A0518

RP55\000015215.png

Inglese

- 23 339374X1 ● Substitutions error 4 Washer
- ! This is a component of an assembly
- ▣ Not serviced, order
- Replacement
- T-A Replacement





**Suggest:**

**For more complete manuals. Please go to the home page.**

**<https://www.ebooklibonline.com>**

**If the above button click is invalid. Please download this document first, and then click the above link to download the complete manual.**

**Thank you so much for reading**

Engine

F Top Restyling (2010- ) - RP55 - F120/GE/XL

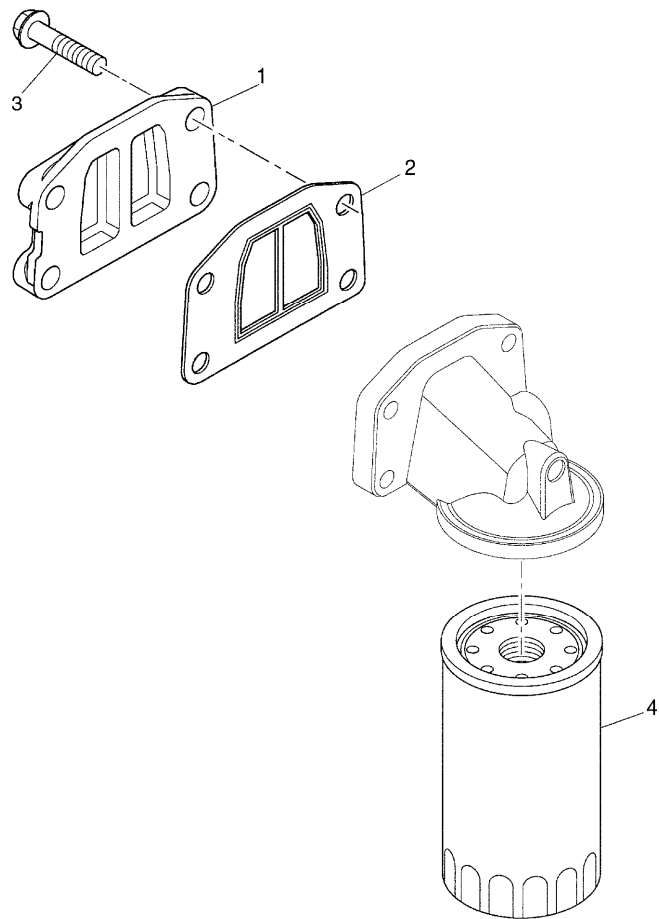
RP55\000015082.png

A-05  
20



A0520

Closing plate



Inglese

- |   |          |     |            |   |          |
|---|----------|-----|------------|---|----------|
| 1 | 3753A071 |     |            | 1 | Coperch. |
| 2 | 3688A041 | (X) | 1.2.5.     | 1 | Ring     |
|   |          |     | T-A 0:50   |   |          |
| 3 | 2314H034 |     |            | 4 | Screw    |
| 4 |          | ⊕   | A-05 18 18 | 1 | Filter   |
|   |          |     | (X) 1.2.5. |   |          |
|   |          |     | T-A 0:25   |   |          |
- ⊕ See page - reference number  
(X) Qty per tractors sold (aa.bbb.ccc.ddd) (aa) for 1,(bbb) 2-10 (ccc) 11-25 (ddd) 26-50  
T-A Replacement

Engine

F Top Restyling (2010- ) - RP55 - F120/GE/XL

RP55\00041299.png

A-05  
21

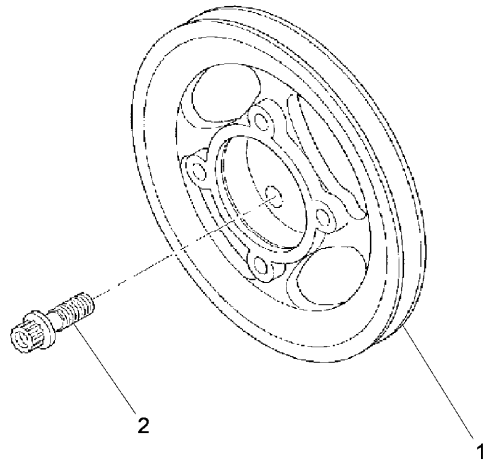


A0521

Front end drive input - auxiliary drive

- 1 3115A141
- 2 32186146

- Inglese
- 1 Pulley
  - 3 Bolt



**<https://www.ebooklibonline.com>**

Hello dear friend!

Thank you very much for reading.

Enter the link into your browser.

The full manual is available for immediate download.

**<https://www.ebooklibonline.com>**