

Engine

F Top Restyling (2010-) - RP55 - F110/GE/XL

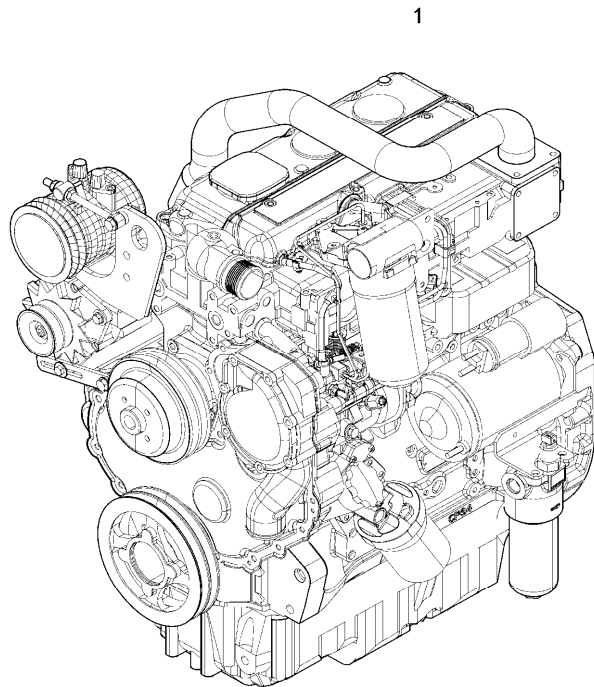
RP55\00005170.png

A-05
01



A0501

Engine assembly



| | | Inglese | |
|---|--------------------|------------------------------|----------|
| 1 | 4216960M91 | "perkins - nm7523 74,9 kw | 1 Engine |
| | A | | |
| 1 | 6510960M91 | "perkins - nm5168 74,9 kw | 1 Engine |
| | B | | |
| 1 | 6512330M91 | "perkins - 74,9 kw | 1 Engine |
| | C | | |
| | D | | |
| A | Tier 3 | | |
| B | Tier 3b | | |
| C | Flexibility engine | | |
| D | N.a.o. market | | |

Engine

F Top Restyling (2010-) - RP55 - F110/GE/XL

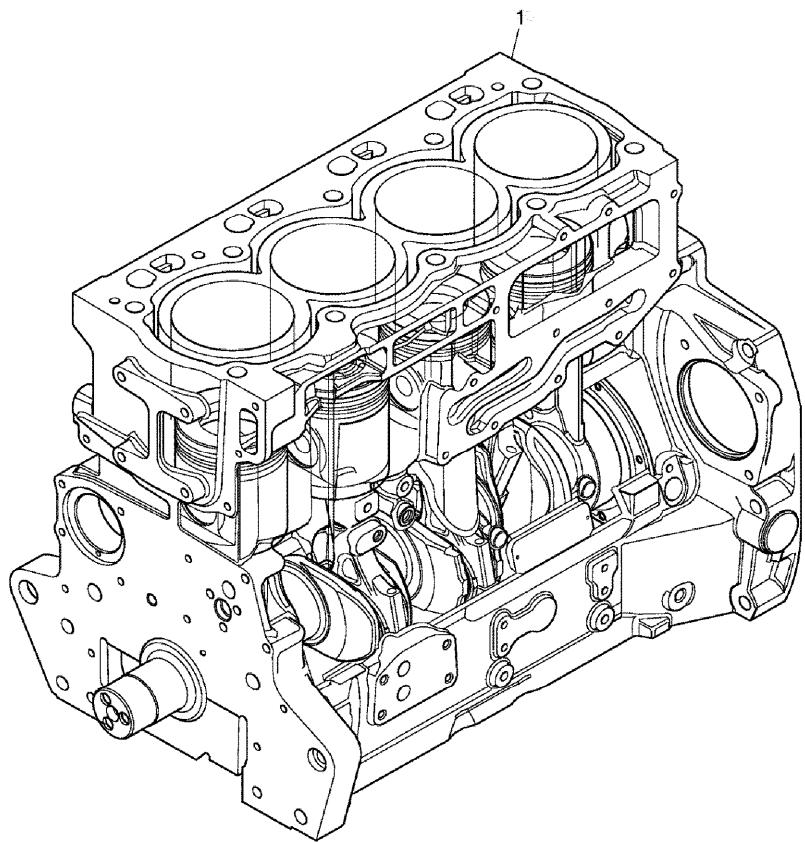
RP55\000015070.png

A-05
02



A0502

Short engine



Inglese

- | | | | | | |
|---|---------|--|----------------------------------|---|--------------|
| 1 | NM40008 | | U056074 t | 1 | Short engine |
| | | | 3115A141(1), 32186146(3), NM4 | | |
| 1 | NM40019 | | U056075 t | 1 | Short engine |

- From serial or engine number
- Up to serial or engine number
- Replacement

Engine

F Top Restyling (2010-) - RP55 - F110/GE/XL

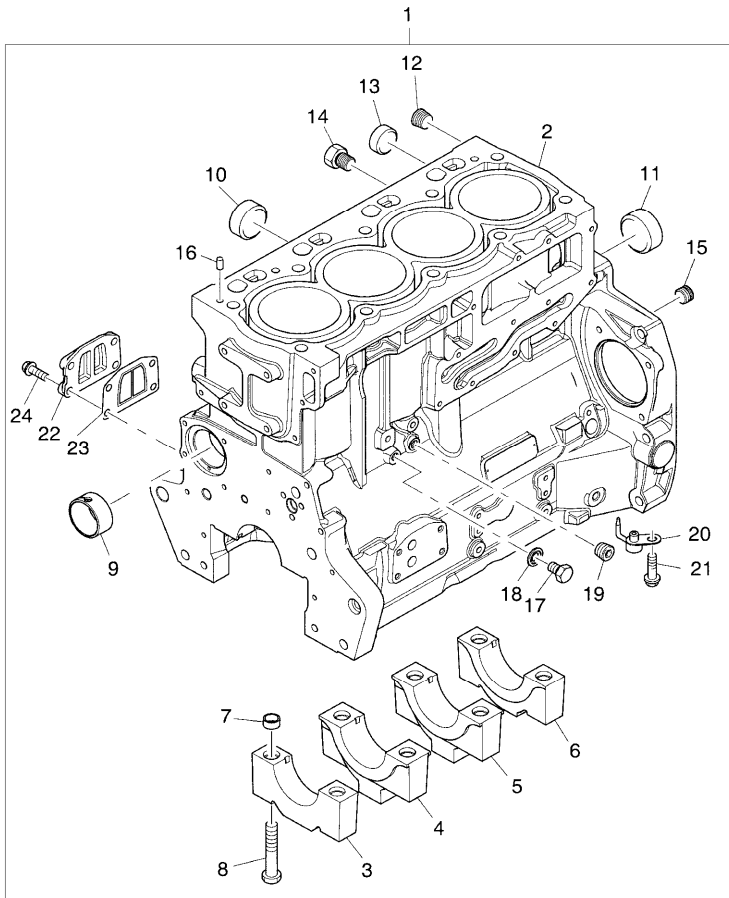
RP55\000015072.png

**A-05
03**



A0503

Cylinder block



| | | Inglese |
|----|---------------|------------------|
| 1 | ZZ50321 | 1 Block |
| 2 | ! | 1 Cylinder block |
| 3 | ➡ Ref.n.1 | 1 Bearing |
| 4 | ! | 2 Bearing |
| 5 | ➡ Ref.n.1 | 1 Bearing |
| 6 | ! | 1 Bearing |
| 7 | 33142111 | 10 Manicott |
| 8 | 32166329 | 10 Screw |
| 9 | 3112D071 | 1 Bush |
| 10 | ● 3112D075(1) | 2 Plug |
| 11 | 3241A011 | 1 Plug |
| 12 | 0650588 | 1 Plug |
| 13 | 0650710 | 1 Plug |
| 14 | 32141316 | 1 Plug |
| 15 | 3212P008 | 1 Plug |
| 16 | 3244A009 | 2 Dowel |
| 17 | 2314C049 | 1 Screw |
| 18 | 2415D053 | 1 Washer |
| 19 | 0650594 | 1 Plug |

<https://www.ebooklibonline.com>

Hello dear friend!

Thank you very much for reading.

Enter the link into your browser.

The full manual is available for immediate download.

<https://www.ebooklibonline.com>

Engine

F Top Restyling (2010-) - RP55 - F110/GE/XL

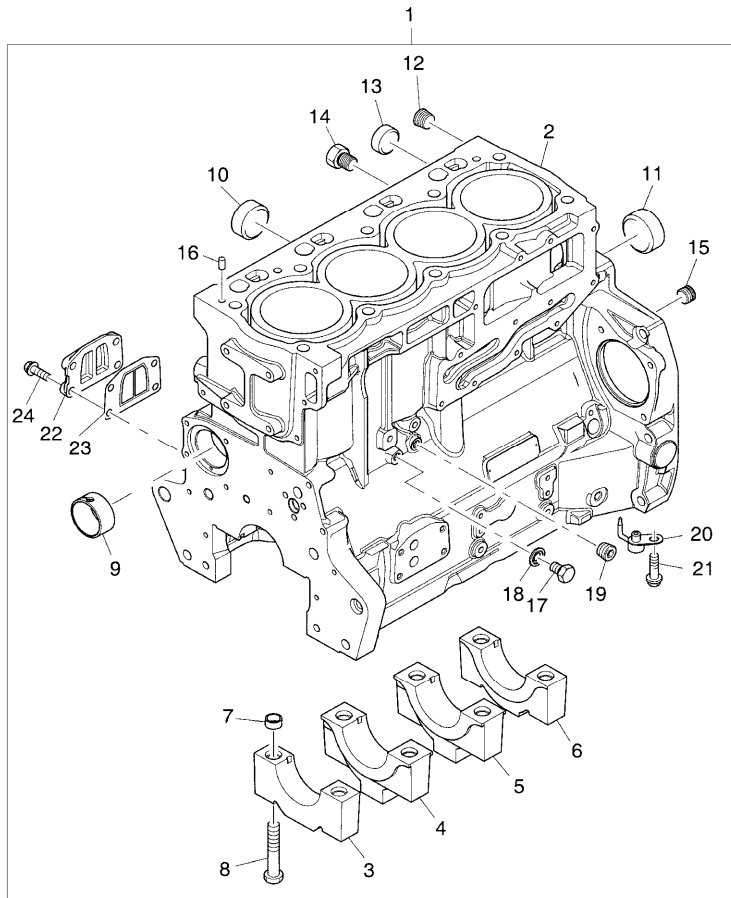
RP55\000015072.png

A-05
03



A0503

Cylinder block



- 20 2113A003 ! 1
- 21 2314F001 ! 1
- 22 3753A071 ! 1
- 23 3688A041 ! 1
- 24 2314H034 ! 1

Inglese

- 4 Atomiser
- 4 Screw
- 1 Coperch.
- 1 Ring
- 4 Screw

- ! This is a component of an assembly
- ▣ Not serviced, order
- Replacement

Engine

A-05
04

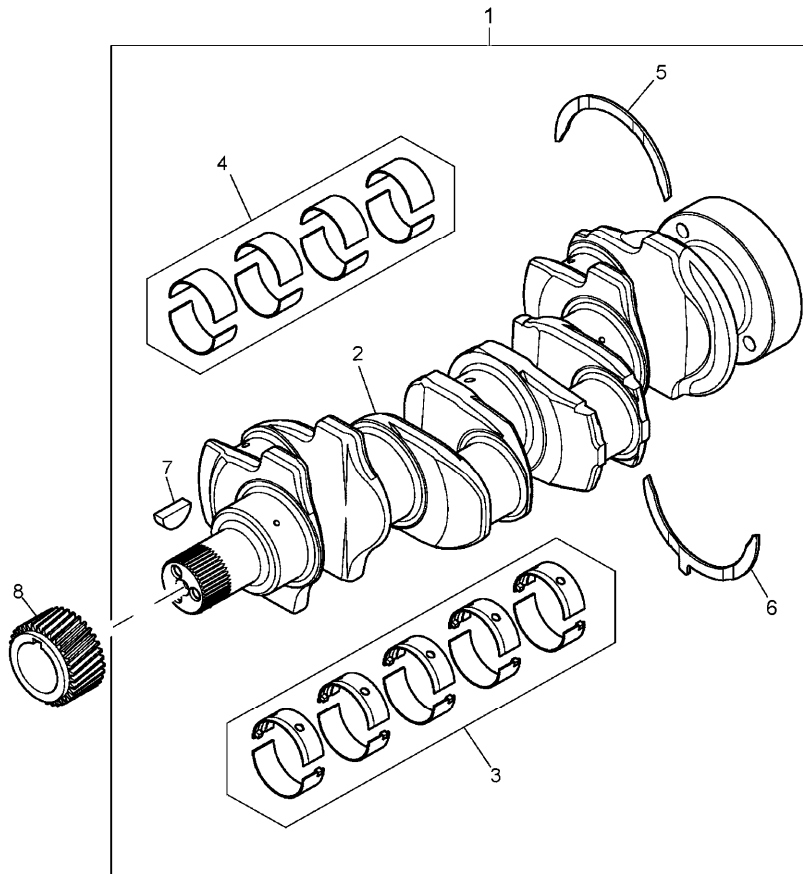
Camshaft

F Top Restyling (2010-) - RP55 - F110/GE/XL



A0504

RP55\000015073.png



Inglese

| | | | | | |
|---|-----------|-----|--------------|---|-------|
| 1 | ZZ90222 | ➔ | U491476 t | 1 | Kit |
| | | ● | ZZ90239(1) | | |
| | | T-A | 15:0 | | |
| 1 | ZZ90237 | ➔ | U491477 t | 1 | Shaft |
| 2 | | ! | 1 | 1 | Shaft |
| | | ➔ | Ref.n.1 | | |
| 3 | U5MB0018 | ! | 1 | 1 | Kit |
| | | ● | U5MB0033(1) | | |
| | | T-A | 15:0 | | |
| 3 | U5MB0018A | ! | 1 | 1 | Kit |
| | | ⚡ | 0.010" | | |
| | | ● | U5MB0033A(1) | | |
| | | T-A | 15:0 | | |
| 3 | U5MB0018B | ! | 1 | 1 | Kit |
| | | ⚡ | 0.020" | | |
| | | ● | U5MB0033B(1) | | |
| | | T-A | 15:0 | | |
| 3 | U5MB0018C | ! | 1 | 1 | Kit |
| | | ⚡ | 0.030" | | |
| | | ● | N.L.A.(1) | | |
| | | T-A | 15:0 | | |
| 4 | T400002 | ! | 1 | 1 | Kit |
| | | ➔ | U491477 t | | |
| | | ● | T410927(1) | | |

Engine

F Top Restyling (2010-) - RP55 - F110/GE/XL

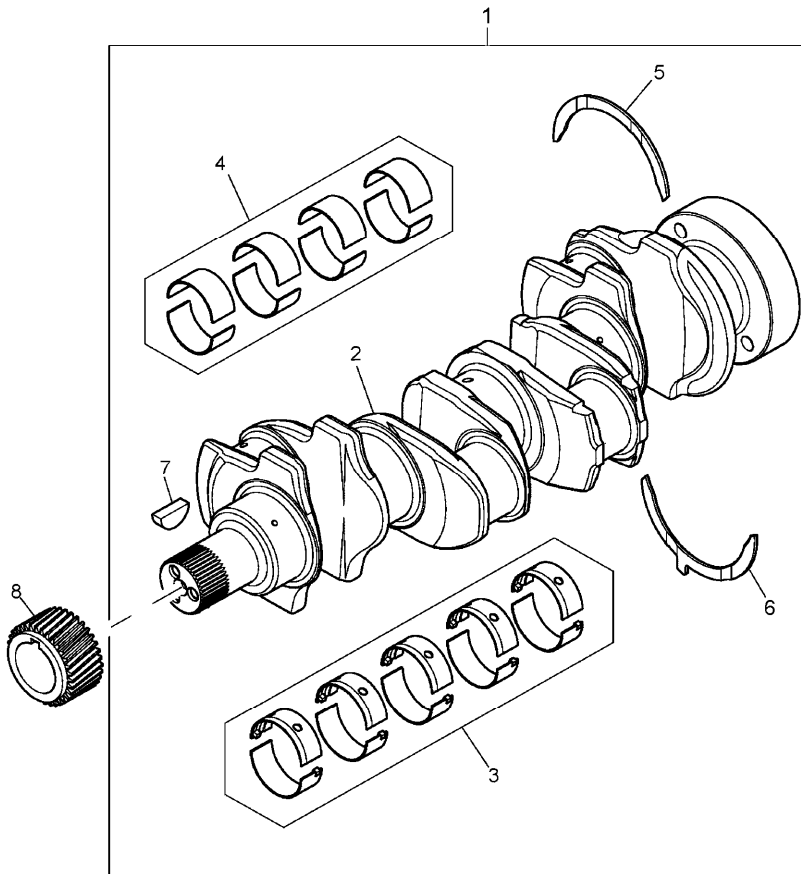
RP55\000015073.png

A-05
04



A0504

Camshaft



Inglese

| | | | | |
|---|-----------|-----|--------------|----------|
| 4 | U5ME0026 | ! | 1 | 1 Kit |
| | | ➔ | U491476 t | |
| | | ● | U5ME0034(1) | |
| 4 | U5ME0026A | ! | 1 | 1 Kit |
| | | ⌵ | 0.25mm | |
| | | ➔ | U491476 t | |
| | | ● | U5ME0034A(1) | |
| 4 | U5ME0026B | ! | 1 | 1 Kit |
| | | ⌵ | 0.50mm | |
| | | ➔ | U491476 t | |
| | | ● | U5ME0034B(1) | |
| 4 | U5ME0026C | ! | 1 | 1 Kit |
| | | ⌵ | 0.75mm | |
| | | ➔ | U491476 t | |
| | | ● | U5ME0034C(1) | |
| 5 | 31137312 | ! | 1 | 2 Ring |
| | | ⌵ | 0.007" | |
| | | T-A | 15:0 | |
| 5 | 31137551 | ! | 1 | 2 Washer |
| | | T-A | 15:0 | |
| 6 | 31137322 | ! | 1 | 2 Ring |
| | | ⌵ | 0.007" | |
| | | T-A | 15:0 | |
| 6 | 31137561 | ! | 1 | 2 Washer |
| | | T-A | 15:0 | |

Engine

A-05
04

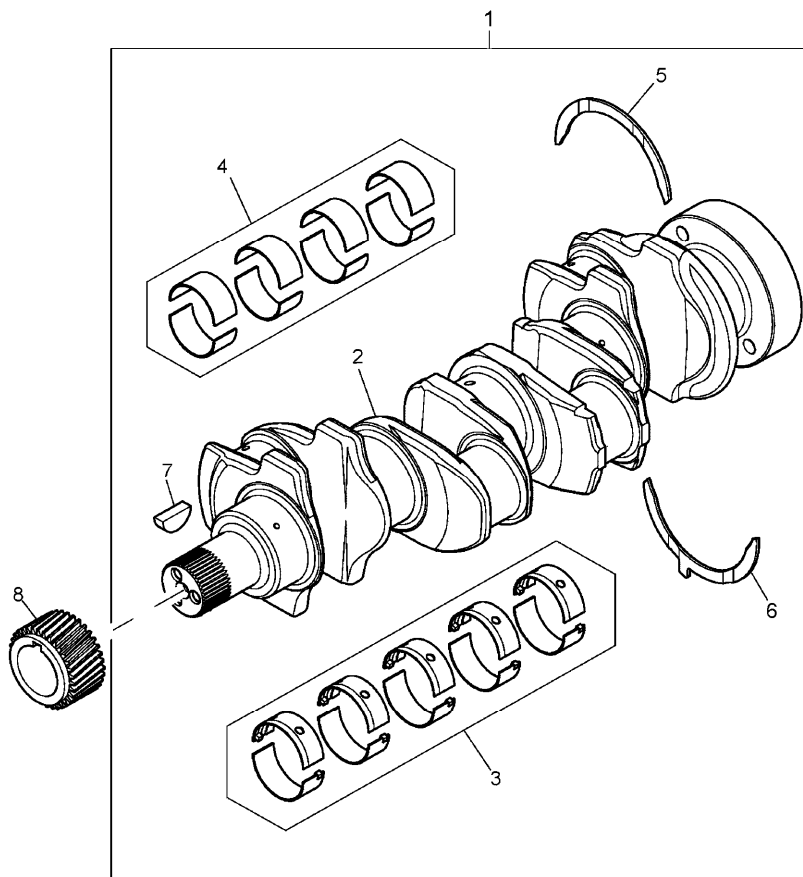
Camshaft

F Top Restyling (2010-) - RP55 - F110/GE/XL



A0504

RP55\000015073.png



Inglese

7 0500012 ! 1 1 Key

T-A 10:0

8 3117C221 T-A 10:0 1 Gear

! This is a component of an assembly

➔ From serial or engine number

➔ Up to serial or engine number

⊔ Not serviced, order

⊔ Shim

● Replacement

T-A Replacement

Engine

F Top Restyling (2010-) - RP55 - F110/GE/XL

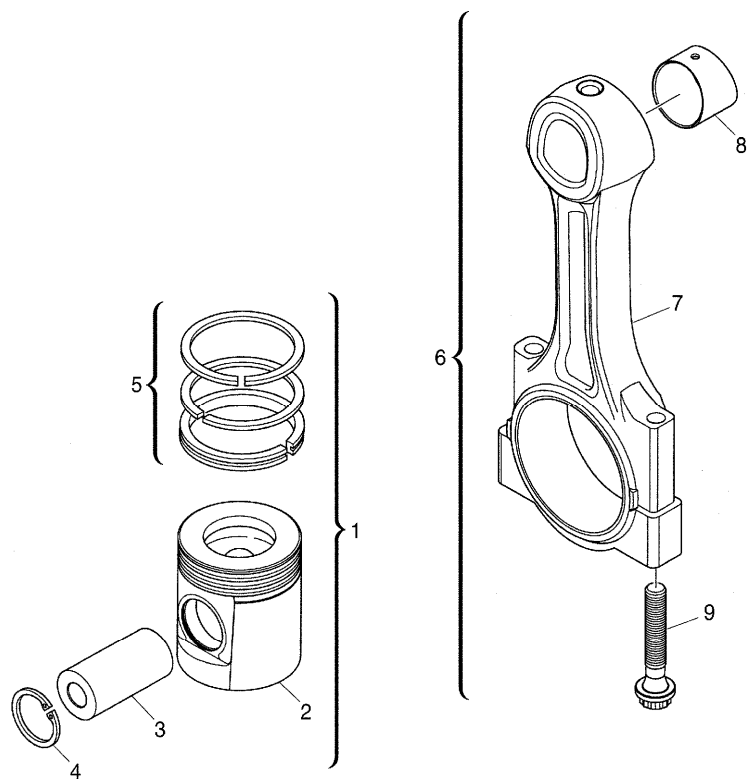
RP55\000020562.png

A-05
05



A0505

Pistons and connecting rods



| | | | Inglese |
|---|-----------|-------------|----------|
| 1 | U5PR0062 | Std | 4 Kit |
| 1 | U5PR0062B | +0,5 mm | 1 Kit |
| 2 | | ! 1 | 1 Piston |
| | | ➡ Ref.n.1 | |
| 3 | | ! 1 | 1 Piston |
| | | ➡ Ref.n.1 | |
| 4 | 2721332 | ! 1 | 2 Ring |
| 5 | UPRK0005 | ! 1 | 1 Kit |
| 6 | 4115C311 | ➡ U491477 t | 4 Kit |
| | | A | |
| | | T-A 14:0 | |
| 6 | 4115C312 | ➡ U491477 t | 4 Kit |
| | | B | |
| | | T-A 14:0 | |
| 6 | 4115C313 | ➡ U491477 t | 4 Kit |
| | | C | |
| | | T-A 14:0 | |
| 6 | 4115C314 | ➡ U491477 t | 4 Kit |
| | | D | |
| | | T-A 14:0 | |
| 6 | 4115C315 | ➡ U491477 t | 4 Kit |
| | | E | |
| | | T-A 14:0 | |
| 6 | 4115C316 | ➡ U491477 t | 4 Kit |
| | | F | |
| | | T-A 14:0 | |

Engine

F Top Restyling (2010-) - RP55 - F110/GE/XL

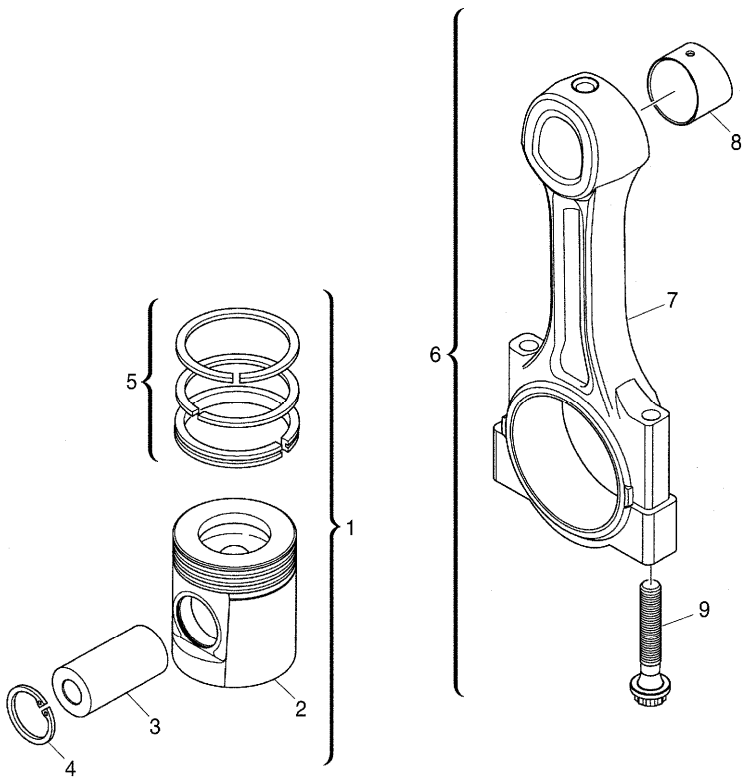
RP55\000020562.png

A-05
05



A0505

Pistons and connecting rods



| | | Inglese | |
|---|----------|-------------|----------|
| 6 | 4115C361 | ➡ U491478 t | 4 Conrod |
| | | A | |
| 6 | 4115C362 | ➡ U491478 t | 4 Conrod |
| | | B | |
| 6 | 4115C363 | ➡ U491478 t | 4 Conrod |
| | | C | |
| 6 | 4115C364 | ➡ U491478 t | 4 Conrod |
| | | D | |
| 6 | 4115C365 | ➡ U491478 t | 4 Conrod |
| | | E | |
| 6 | 4115C366 | ➡ U491478 t | 4 Conrod |
| | | F | |
| 7 | | ! 6 | 1 Conrod |
| | | ➡ Ref.n.6 | |
| 8 | 3112A005 | ! 6 | 1 Bush |
| | | T-A 14:0 | |
| 9 | 3212V003 | ! 6 | 2 Screw |
| | | ➡ U491477t | |
| 9 | T400001 | ! 6 | 2 Screw |
| | | ➡ U491478t | |

- ! This is a component of an assembly
- ➡ From serial or engine number
- ➡ Up to serial or engine number
- ➡ Not serviced, order
- T-A Replacement
- A Red
- B Orange

Engine

F Top Restyling (2010-) - RP55 - F110/GE/XL

RP55\000020562.png

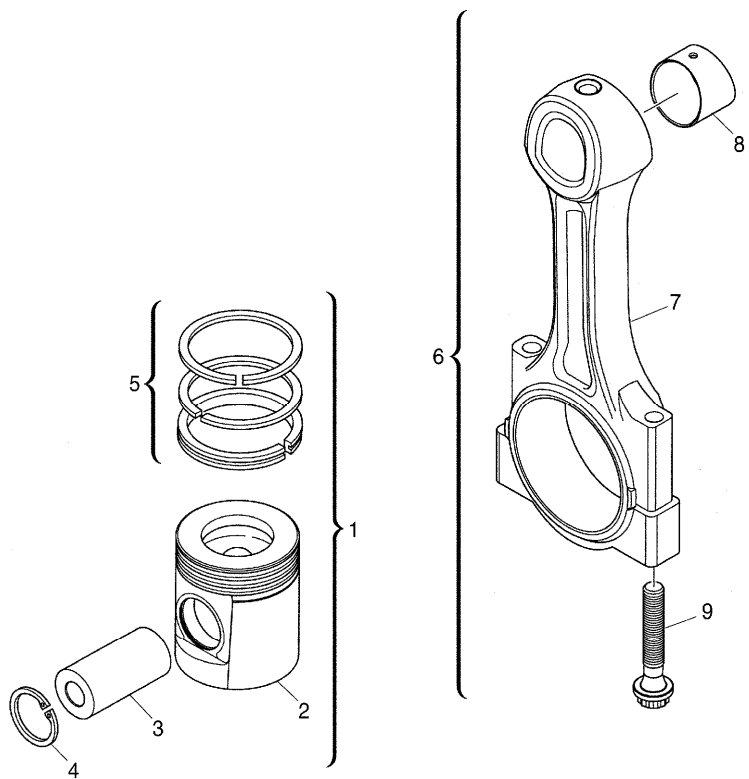
A-05
05



A0505

Pistons and connecting rods

- C White
- D Green
- E Purple
- F Blue



Engine

F Top Restyling (2010-) - RP55 - F110/GE/XL

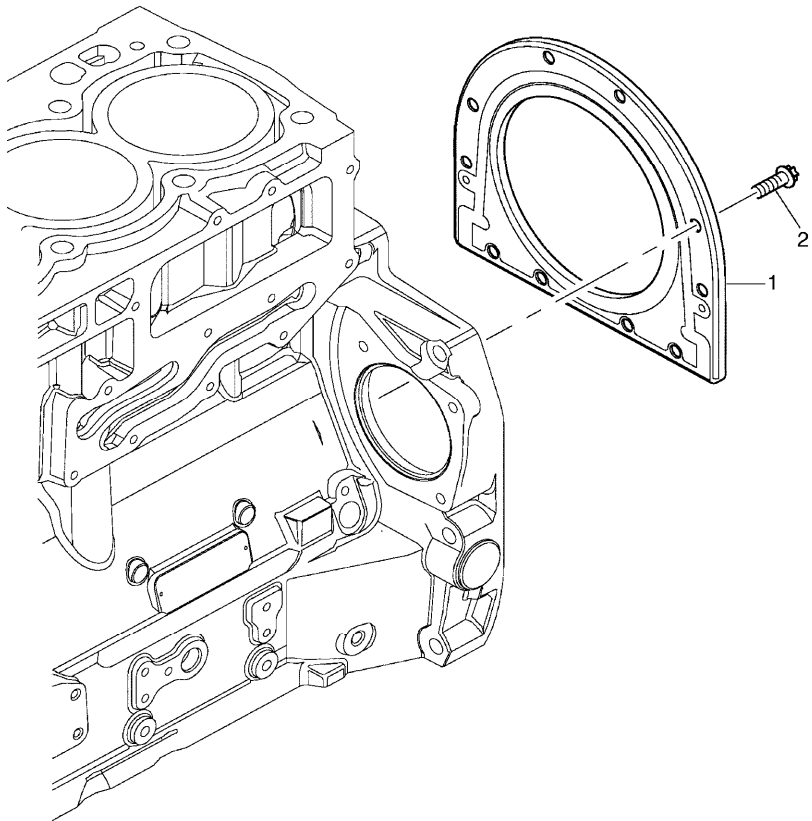
RP55\000015074.png

A-05
06



A0506

End cover



1 2418F704 T-A 9:0

2 3211C002

T-A Replacement

Inglese

1 Housing

10 Screw

Engine

F Top Restyling (2010-) - RP55 - F110/GE/XL

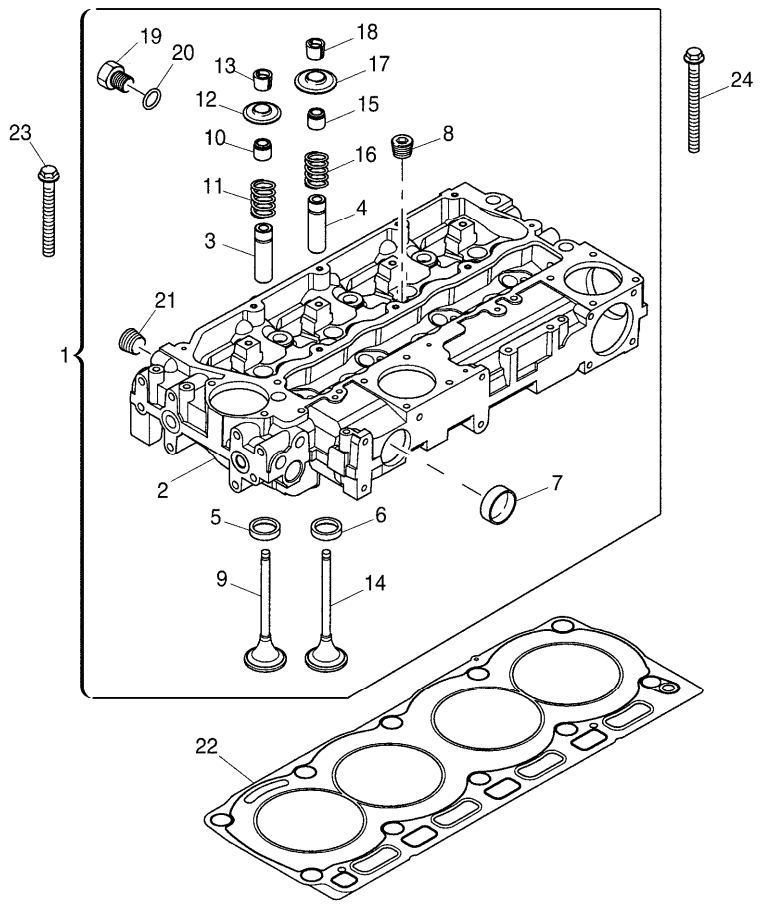
RP55\000020527.png

**A-05
07**



A0507

Cylinder head



| | | | Inglese |
|----|----------|--------------|-----------------|
| 1 | ZZ80280 | | 1 Cylinder head |
| 2 | | ! 1 | 1 Kit |
| | | ➡ Ref.n.1 | |
| 3 | 3313A012 | ! 1 | 4 Insert |
| 4 | 3313A012 | ! 1 | 4 Insert |
| 5 | 3314A221 | ! 1 | 4 Insert |
| 6 | 3314A231 | ! 1 | 4 Insert |
| 7 | 32416117 | ! 1 | 2 Plug |
| 8 | 0650588 | ! 1 | 4 Plug |
| 9 | 3142H101 | ! 1 | 4 Valve |
| 10 | 2418M519 | ! 1 | 4 Ring |
| | | A | |
| 11 | 3174A031 | ! 1 | 4 Spring |
| | | ● T417479(4) | |
| 12 | 3342A021 | ! 1 | 4 Coperch. |
| 13 | 2714A002 | ! 1 | 8 Collar |
| 14 | 3142A171 | ! 1 | 4 Valve |
| 15 | 2418M517 | ! 1 | 4 Ring |
| | | B | |
| 16 | 3174A031 | ! 1 | 4 Spring |
| | | ● T417479(4) | |
| 17 | 3342A021 | ! 1 | 4 Coperch. |
| 18 | 2714A002 | ! 1 | 8 Collar |
| 19 | 3278A006 | ! 1 | 1 Plug |
| 20 | 2415H003 | ! 1 | 1 Ring |

Engine

A-05
07

Cylinder head

F Top Restyling (2010-) - RP55 - F110/GE/XL



A0507

RP55\000020527.png

Inglese

21 2431154 ! 1

2 Plug

22 3681E051

1 Gasket

23 3218A011

7 Screw

24 3218A012

3 Screw

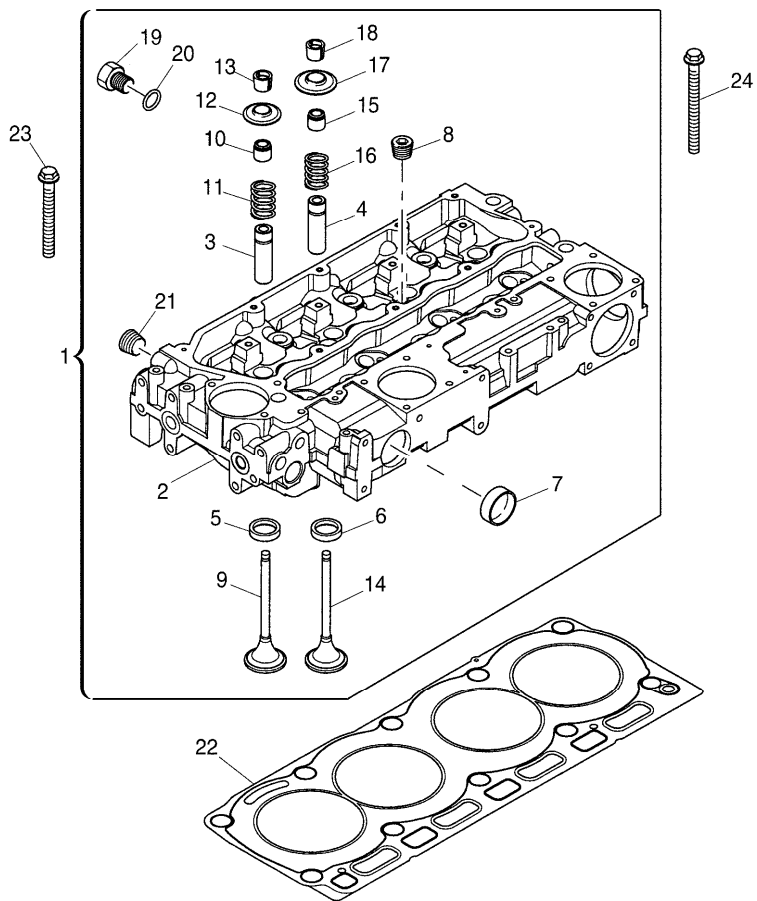
! This is a component of an assembly

🔧 Not serviced, order

🔩 Replacement

A Green

B Brown



Engine

A-05
08

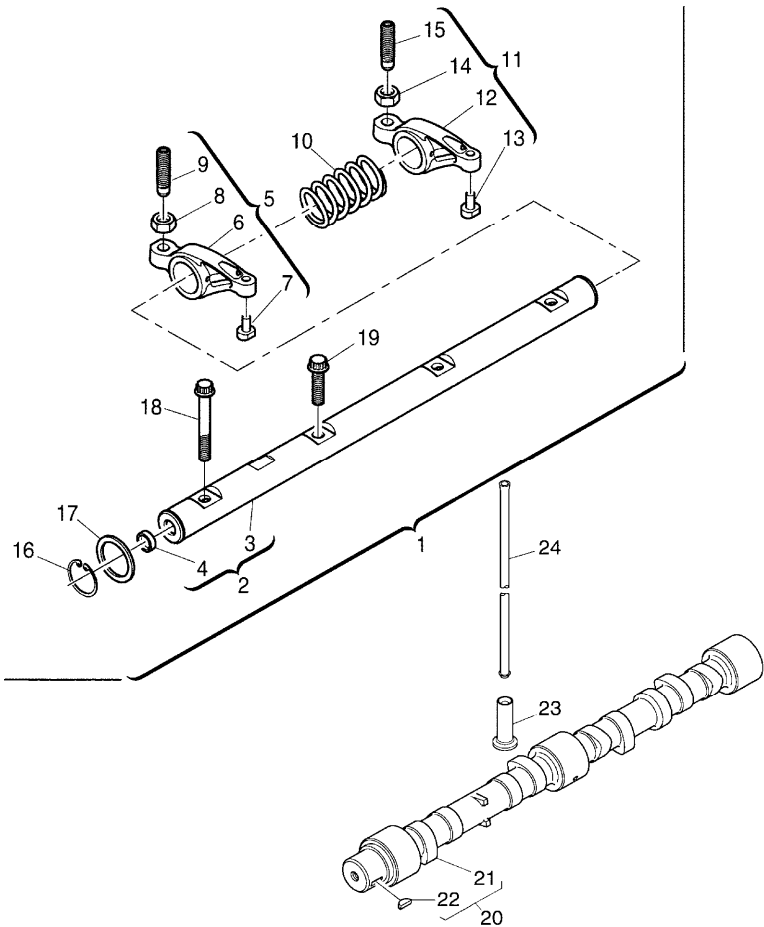
Rocker shaft

F Top Restyling (2010-) - RP55 - F110/GE/XL



A0508

RP55\000015075.png



Inglese

| | | | | |
|----|----------|-----|----------|--------|
| 1 | 4115R613 | | 1 | Axle |
| 2 | 4115R703 | ! | 1 | Shaft |
| | | T-A | 4:0 | |
| 3 | | ! | 2 | Axle |
| | | ➡ | Ref.n.2 | |
| 4 | 2485A104 | ! | 2 | Plug |
| 5 | 4115R319 | ! | 1 | Lever |
| 6 | | ! | 5 | Rocker |
| | | ➡ | Ref.n.5 | |
| 7 | | ! | 5 | Pad |
| | | ➡ | Ref.n.5 | |
| 8 | 3331A006 | ! | 5 | Nut |
| 9 | 3211C004 | ! | 5 | Screw |
| 10 | 3174A015 | ! | 1 | Spring |
| | | T-A | 4:0 | |
| 11 | 4115R318 | ! | 1 | Lever |
| 12 | | ! | 11 | Rocker |
| | | ➡ | Ref.n.11 | |
| 13 | | ! | 11 | Pad |
| | | ➡ | Ref.n.11 | |
| 14 | 3331A006 | ! | 11 | Nut |
| 15 | 3211C004 | ! | 11 | Screw |
| 16 | 2722A022 | ! | 1 | Ring |
| 17 | 2134A502 | ! | 1 | Washer |
| 18 | 2316A901 | ! | 1 | Screw |

Engine

F Top Restyling (2010-) - RP55 - F110/GE/XL

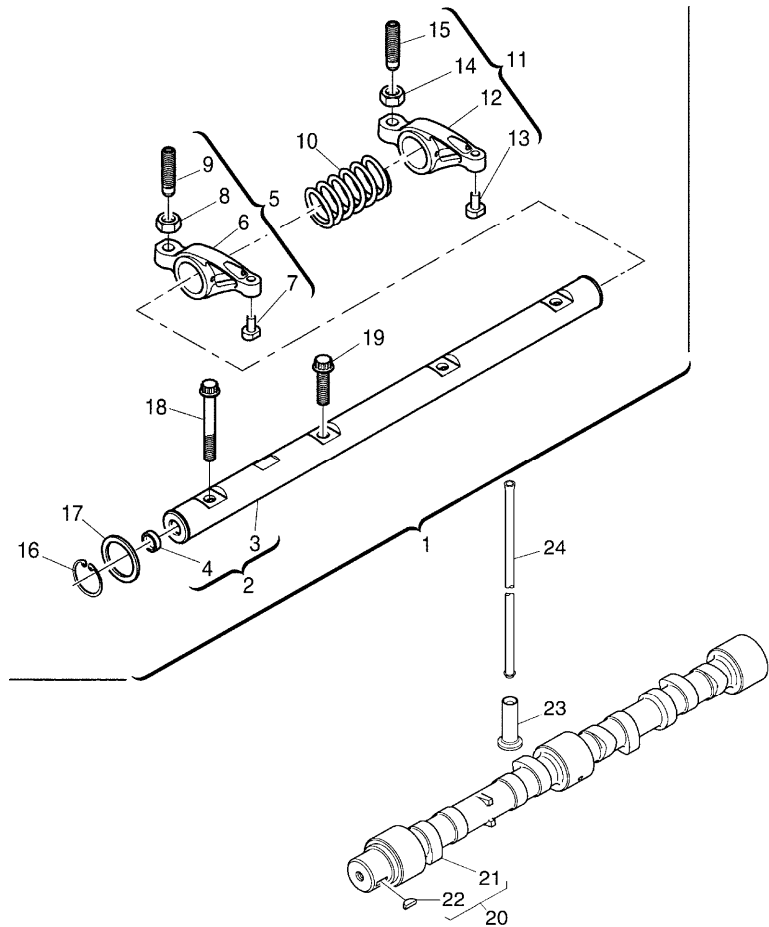
RP55\000015075.png

A-05
08



A0508

Rocker shaft



Inglese

| | | | | | |
|----|----------|---|-------------|---|--------|
| 19 | 2316A902 | ! | 1 | 3 | Screw |
| 20 | 4112K076 | ● | 4112K078(1) | 1 | Shaft |
| 21 | | ! | 20 | 1 | Shaft |
| | | ➡ | Ref.n.20 | | |
| 22 | 0500012 | ! | 20 | 1 | Key |
| 23 | 3142U061 | | | 8 | Tappet |
| 24 | 3142V011 | | | 8 | Rod |

- ! This is a component of an assembly
- ➡ Not serviced, order
- Replacement
- T-A Replacement

Engine

F Top Restyling (2010-) - RP55 - F110/GE/XL

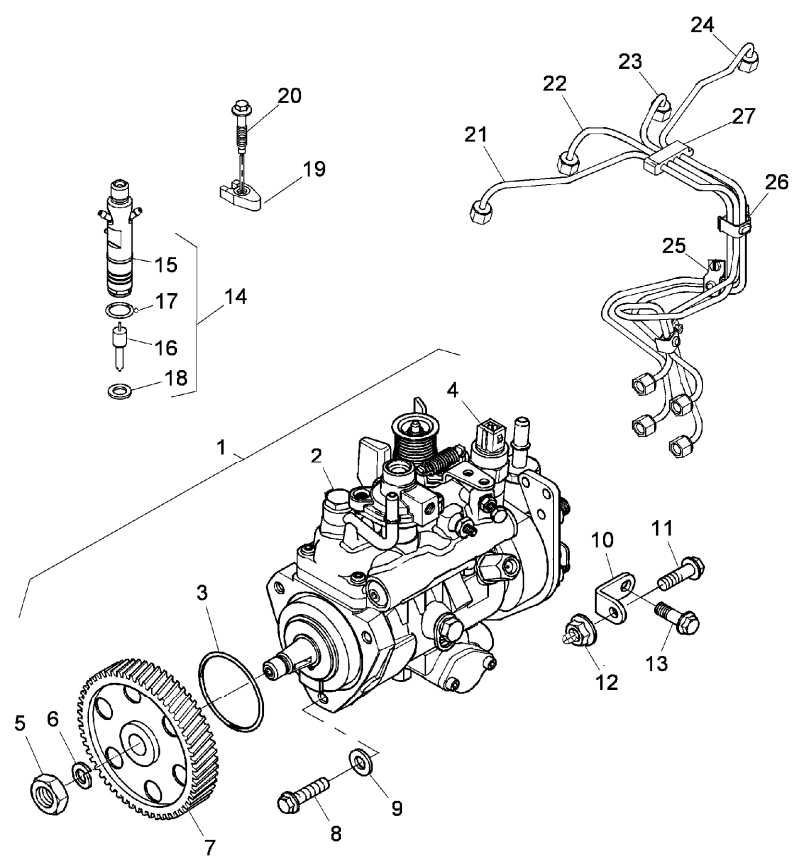
RP55\00007943.png

**A-05
09**



A0509

Fuel injection equipment (diesel)



| | | Inglese |
|----|-------------|------------|
| 1 | 2644C347/22 | 1 Pump |
| 2 | ! | 1 Pump |
| | ➡ Ref.n.1 | |
| 3 | 26420318 | 1 Ring |
| | T-A 4:50 | |
| 4 | 26420469 | 1 Solenoid |
| | (X) 1.2.5. | |
| | T-A 0:25 | |
| 5 | 2318A108 | 1 Nut |
| 6 | K134AF01 | 1 Washer |
| 7 | 3117L261 | 1 Gear |
| 8 | 2314H004 | 3 Screw |
| 9 | 2411D008 | 3 Washer |
| 10 | 3641A007 | 1 Stirrup |
| 11 | 2314H003 | 1 Screw |
| 12 | 2318A603 | 1 Nut |
| 13 | 2314J002 | 1 Screw |
| 14 | 2645K025 | 4 Nozzle |
| 15 | ! | 14 Support |
| | ➡ Ref.n.14 | |
| 16 | ! | 1 Nozzle |
| | ➡ Ref.n.14 | |
| 17 | 26460064 | 1 Ring |
| 18 | L311FF02 | 1 Washer |
| 19 | 3751A241 | 4 Clamp |

Engine

A-05
09

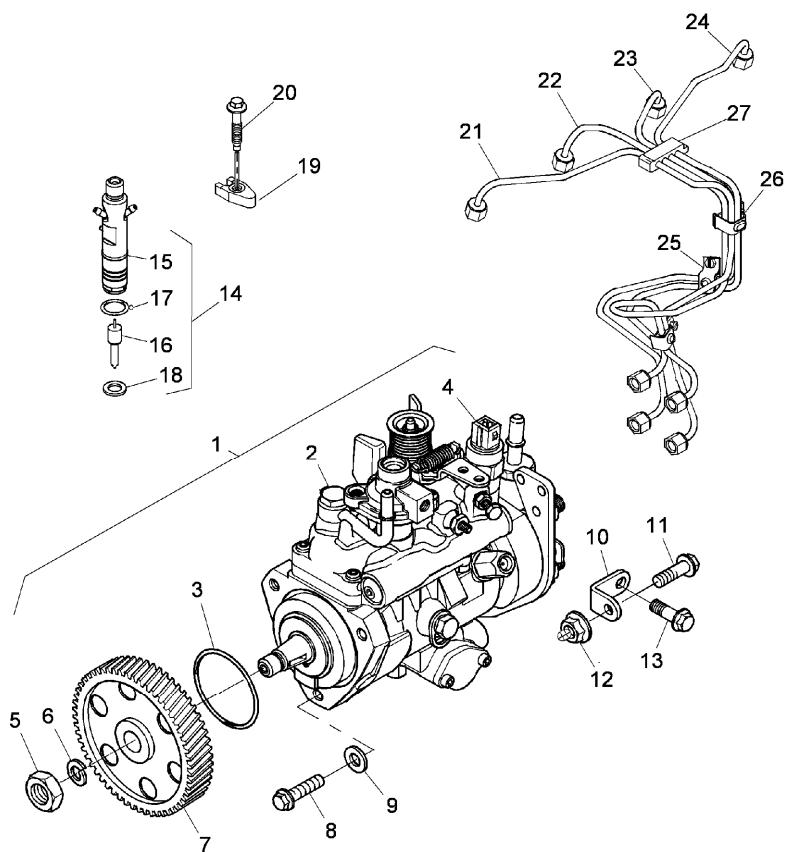
Fuel injection equipment (diesel)

F Top Restyling (2010-) - RP55 - F110/GE/XL



A0509

RP55\00007943.png



Inglese

- | | | | |
|----|----------|---|-------|
| 20 | 2314W009 | 4 | Screw |
| 21 | 3525A101 | 1 | Pipe |
| 22 | 3525A102 | 1 | Pipe |
| 23 | 3525A103 | 1 | Pipe |
| 24 | 3525A104 | 1 | Pipe |
| 25 | 2481Y011 | 2 | Clip |
| 26 | 2481Y012 | 1 | Clip |
| 27 | 2646E019 | 1 | Clip |
- ! This is a component of an assembly
 Not serviced, order
 (X) Qty per tractors sold (aa.bbb.ccc.ddd) (aa) for 1,(bbb) 2-10 (ccc) 11-25 (ddd) 26-50
 T-A Replacement

Engine

F Top Restyling (2010-) - RP55 - F110/GE/XL

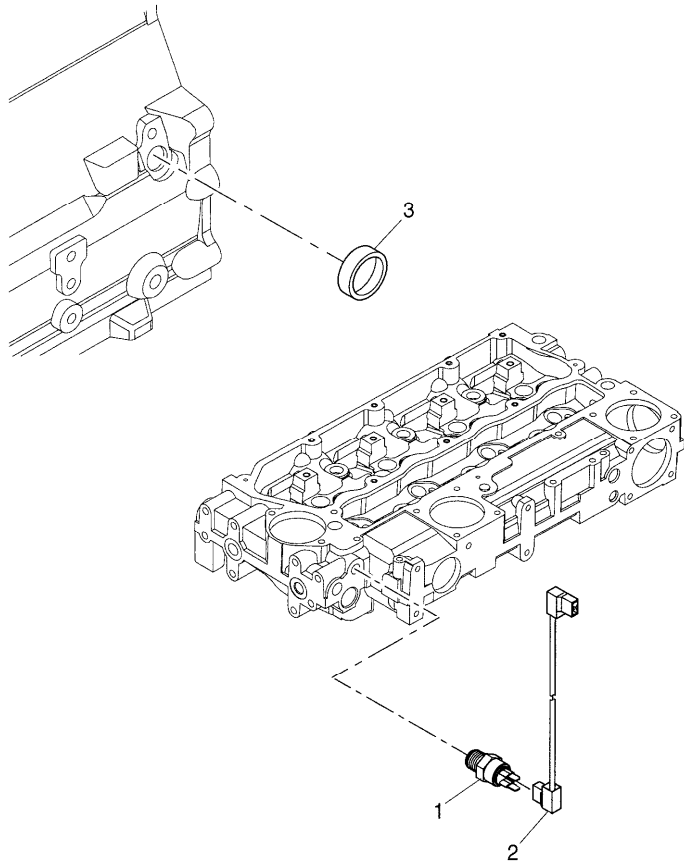
RP55\000020530.png

A-05
10



A0510

Sensor pickup



- 1 2848A123 A
- 2 3161C017
- 3 2485A109
- A Water temperature

Inglese

- 1 Sensor
- 1 Cable
- 1 Plug

Engine

F Top Restyling (2010-) - RP55 - F110/GE/XL

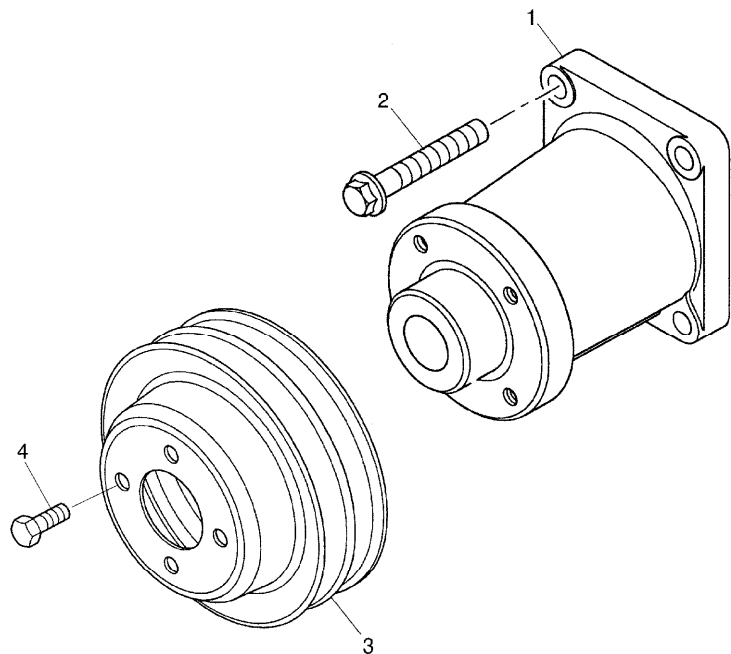
RP55\000015079.png

A-05
11



A0511

Fan-type pulley



- 1 4113K005 T-A 1:75
 - 2 2314J005
 - 3 3115C161
 - 4 2314C044
- T-A Replacement

Inglese

- 1 Housing
- 4 Screw
- 1 Pulley
- 4 Screw

Engine

F Top Restyling (2010-) - RP55 - F110/GE/XL

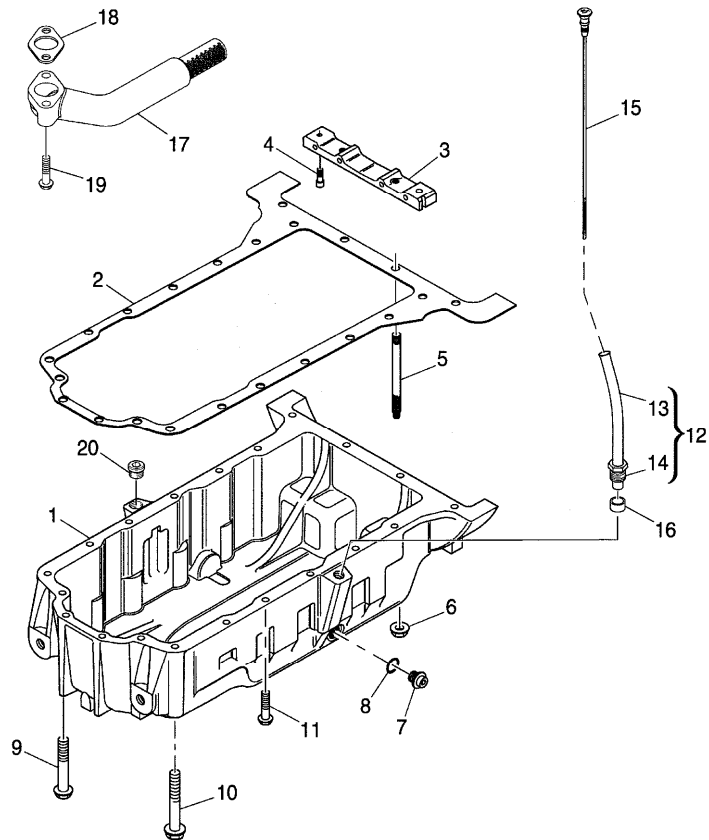
RP55\000014129.png

A-05
12



A0512

Lubricating oil sump



- | | | | |
|----|----------|-----|-------------|
| 1 | 3717E271 | | |
| 2 | 3681K036 | (X) | 1.2.5. |
| | | T-A | 1:50 |
| 3 | 3627P041 | T-A | 1:50 |
| 4 | 2311D039 | | |
| 5 | 3211P013 | | |
| 6 | 2318A603 | | |
| 7 | 32186405 | T-A | 0:25 |
| 8 | 2415715 | T-A | 0:25 |
| 9 | 2314H023 | | |
| 10 | 2314H022 | ● | 2314H052(1) |
| 11 | 2314H015 | | |
| 12 | 3577A125 | T-A | 0:25 |
| 13 | | ! | 12 |
| | | ➡ | Ref.n.12 |
| 14 | 3353D005 | ! | 12 |
| 15 | 3178C081 | T-A | 0:25 |
| 16 | 33812116 | | |
| 17 | 3765A091 | T-A | 1:75 |
| 18 | 36832137 | T-A | 1:75 |
| 19 | 2314H006 | | |
| 20 | 2431A016 | | |

Inglese

- | | |
|----|------------|
| 1 | Crankcase |
| 1 | Gasket |
| 1 | Crosspiece |
| 2 | Screw |
| 2 | Stud |
| 2 | Nut |
| 2 | Plug |
| 2 | Ring |
| 5 | Screw |
| 1 | Screw |
| 12 | Screw |
| 1 | Pipe |
| 1 | Pipe |
| 1 | Nut |
| 1 | Rod |
| 1 | Olive |
| 1 | Pipe |
| 1 | Gasket |
| 2 | Screw |
| 1 | Plug |

- ! This is a component of an assembly
- ➡ Not serviced, order
- Replacement

Engine

F Top Restyling (2010-) - RP55 - F110/GE/XL

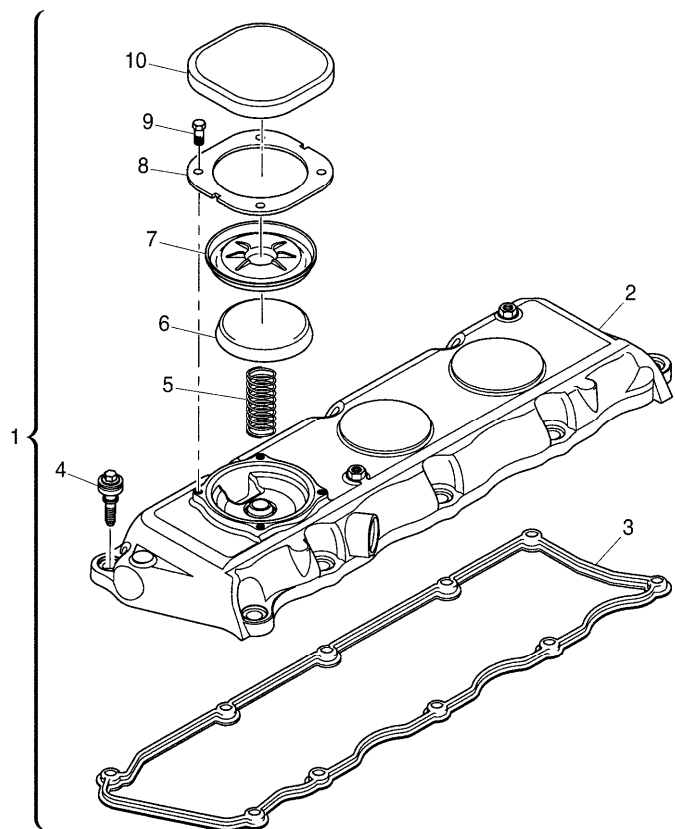
RP55\000020533.png

A-05
13



A0513

Cylinder head cover



| | | Inglese | |
|----|----------|--------------------------------------------------------------------------------------|-------------|
| 1 | 4142X322 | ● T417513(1) | 1 Guard |
| 2 | | ! 1 | 1 Cover |
| 3 | 3681A055 | ▣ Ref.n.1 | 1 Gasket |
| | | (X) 1.2.5. | |
| | | T-A 1:0 | |
| 4 | 2161A013 | ! 1 | 10 Screw |
| 5 | 3174A017 | ! 1 | 1 Spring |
| | | T-A 0:25 | |
| 6 | 3788A002 | ! 1 | 1 Cap |
| | | T-A 0:25 | |
| 7 | 3789A001 | ! 1 | 1 Diaphragm |
| | | T-A 0:25 | |
| 8 | 3615A009 | ! 1 | 1 Plate |
| | | T-A 0:25 | |
| 9 | 2151A001 | ! 1 | 4 Screw |
| 10 | 3788A003 | ! 1 | 1 Cap |
| | | T-A 0:25 | |
| | ! | This is a component of an assembly | |
| | ▣ | Not serviced, order | |
| | ● | Replacement | |
| | (X) | Qty per tractors sold (aa.bbb.ccc.ddd) (aa) for 1,(bbb) 2-10 (ccc) 11-25 (ddd) 26-50 | |
| | T-A | Replacement | |

Engine

F Top Restyling (2010-) - RP55 - F110/GE/XL

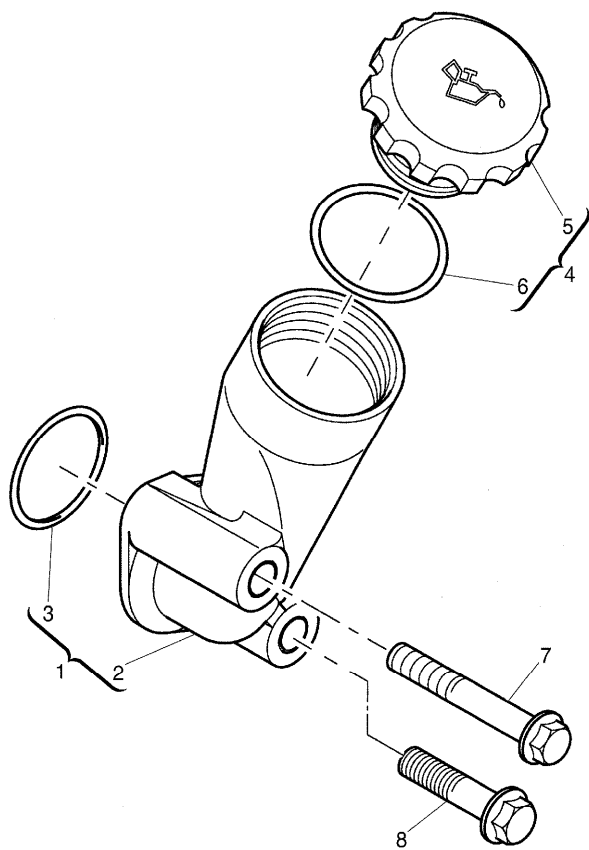
RP55\000020589.png

A-05
14



A0514

Filler



| | | Inglese | |
|---|----------|------------------------------------|----------|
| 1 | 4134C019 | ● N.L.S.(1) | 1 Filler |
| | | T-A 0:25 | |
| 2 | | ! 1 | 1 Body |
| | | ➤ Ref.n.1 | |
| 3 | 2415B121 | ! 1 | 1 O ring |
| | | T-A 0:25 | |
| 4 | 4142X098 | ! 1 | 1 Plug |
| | | T-A 0:25 | |
| 5 | | ! 4 | 1 Plug |
| | | ➤ Ref.n.4 | |
| 6 | 2415633 | ! 4 | 1 O ring |
| | | T-A 0:25 | |
| 7 | 2314K161 | | 1 Screw |
| 8 | 2314H008 | | 1 Screw |
| | ! | This is a component of an assembly | |
| | ➤ | Not serviced, order | |
| | ● | Replacement | |
| | T-A | Replacement | |

Engine

F Top Restyling (2010-) - RP55 - F110/GE/XL

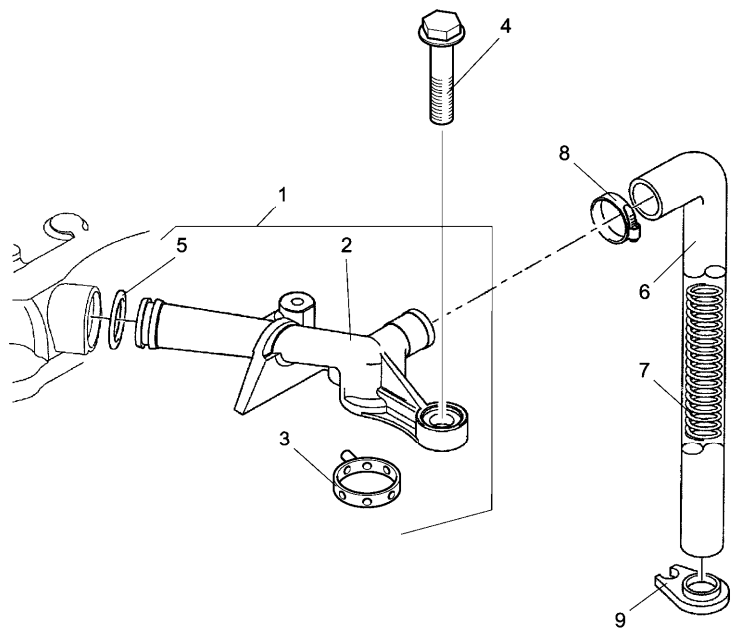
RP55\000014130.png

A-05
15



A0515

Breather



- 1 4134K022
 - 2 ! 1
 - 3 2415H701 ! 1
 - 4 2314F005
 - 5 2415A068 ! 1
 - 6 33872632 T-A 0:50
 - 7 3175P003 T-A 0:25
 - 8 2481877
 - 9 36241123 T-A 0:25
- ! This is a component of an assembly
➡ Not serviced, order
T-A Replacement

Inglese

- 1 Pipe
- 1 Pipe
- 1 Ring
- 2 Screw
- 1 Ring
- 1 Pipe
- 1 Nut
- 1 Clamp
- 1 Support



Suggest:

For more complete manuals. Please go to the home page.

<https://www.ebooklibonline.com>

If the above button click is invalid. Please download this document first, and then click the above link to download the complete manual.

Thank you so much for reading

Engine

F Top Restyling (2010-) - RP55 - F110/GE/XL

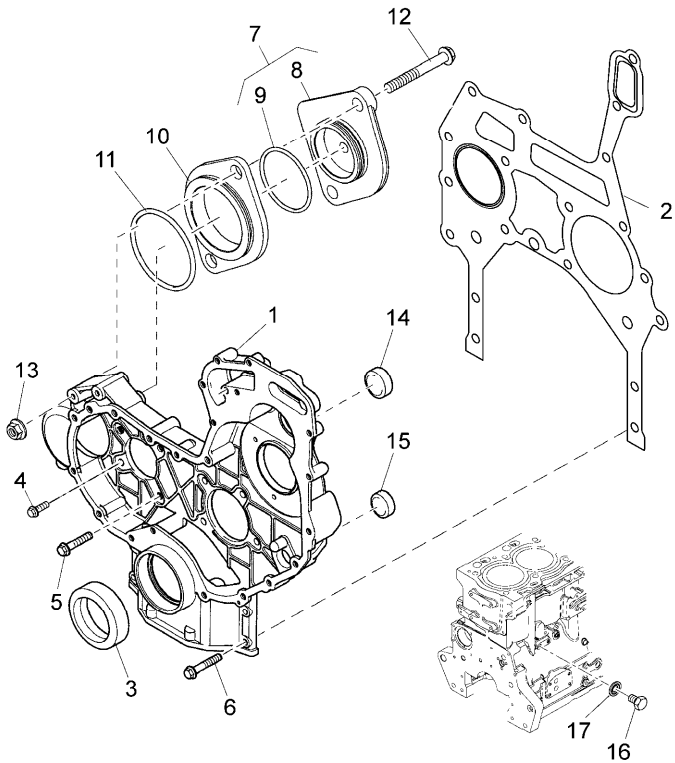
RP55\000015081.png

**A-05
16**



A0516

Gasket sets



| | | Inglese |
|-----|------------------------------------|-----------|
| 1 | 3716C581 | 1 Housing |
| 2 | 3681P053 | 1 Gasket |
| 3 | 2418F437 | 1 Seal |
| 4 | 2314H003 | 6 Screw |
| 5 | 2314H006 | 2 Screw |
| 6 | 2314H034 | 4 Screw |
| 7 | 4148K012 | 1 Plate |
| 8 | ! | 7 |
| | ➡ | Ref.n.7 |
| 9 | 2415H515 | ! 7 |
| | | 1 Ring |
| 10 | 3617A021 | 1 Disc |
| 11 | 2415H516 | 1 O ring |
| 12 | 2314J014 | 2 Screw |
| 13 | 2318A604 | 2 Nut |
| 14 | 2485A124 | T-A 4:75 |
| | | 1 Plug |
| 15 | 2485A124 | T-A 4:75 |
| | | 1 Plug |
| 16 | 2314C049 | 1 Screw |
| 17 | 2415D053 | 1 Washer |
| ! | This is a component of an assembly | |
| ➡ | Not serviced, order | |
| T-A | Replacement | |

Engine

F Top Restyling (2010-) - RP55 - F110/GE/XL

RP55\00008152.png

A-05
17



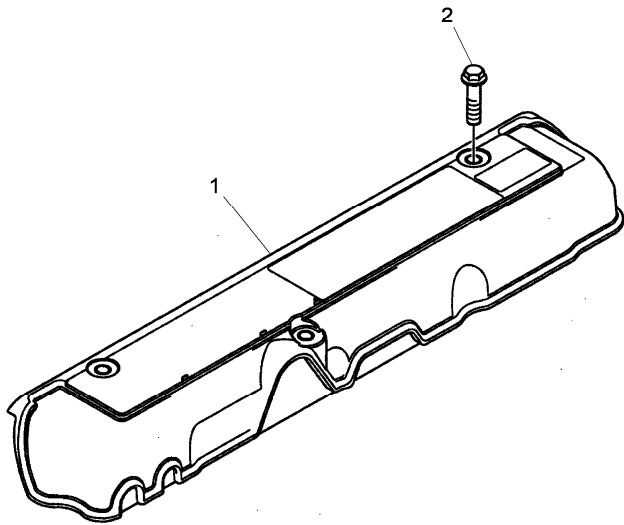
A0517

Cylinder head cover

Inglese

- 1 3788N003
- 2 2314F003

- 1 Coperch.
- 3 Screw



<https://www.ebooklibonline.com>

Hello dear friend!

Thank you very much for reading.

Enter the link into your browser.

The full manual is available for immediate download.

<https://www.ebooklibonline.com>