

Engine

F Top Restyling (2010-) - RP55 - F100/GE/XL

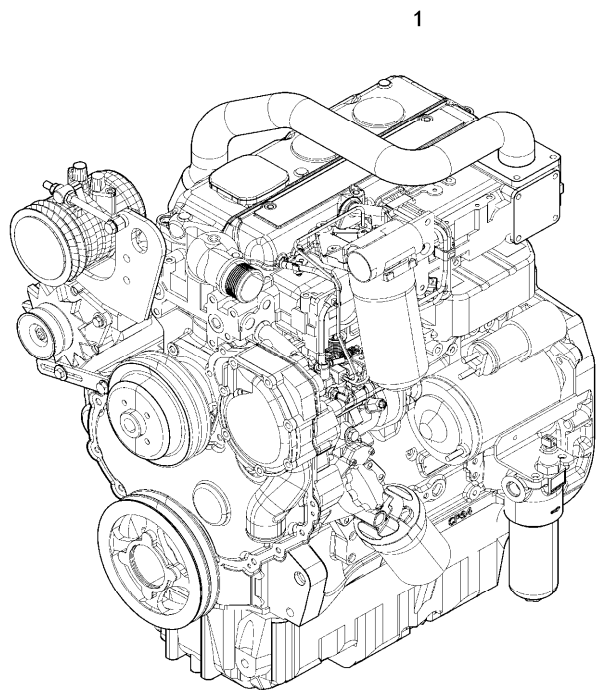
RP55\00005170.png

A-05
01



A0501

Engine assembly



		Inglese	
1	4217394M91	"perkins - nm7522 68 kw	1 Engine
	A		
1	6510959M91	"perkins - nm5168 68 kw	1 Engine
	B		
1	6512312M91	"perkins - nm7071 68 kw	1 Engine
	C		
	D		
A	Tier 3		
B	Tier 3b		
C	Flexibility engine		
D	N.a.o. market		

Engine

A-05
02

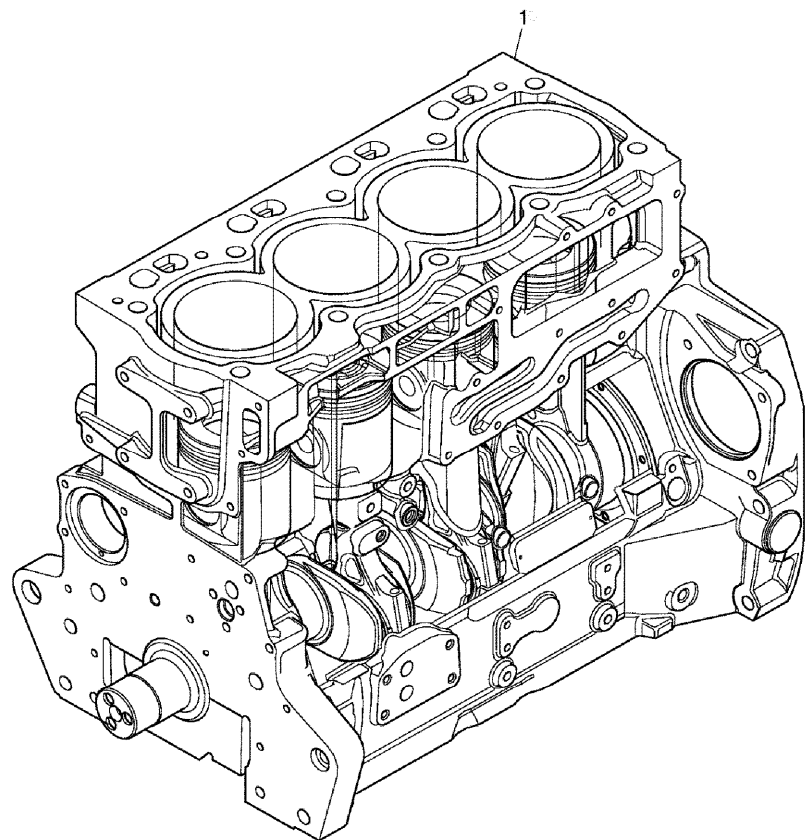
Short engine

F Top Restyling (2010-) - RP55 - F100/GE/XL



A0502

RP55\000015070.png



Inglese

- | | | | | | |
|---|---------|--|----------------------------------|---|--------------|
| 1 | NM40008 | | U056074 t | 1 | Short engine |
| | | | 3115A141(1),
32186146(3), NM4 | | |
| 1 | NM40019 | | U056075 t | 1 | Short engine |

- From serial or engine number
- Up to serial or engine number
- Replacement

Engine

F Top Restyling (2010-) - RP55 - F100/GE/XL

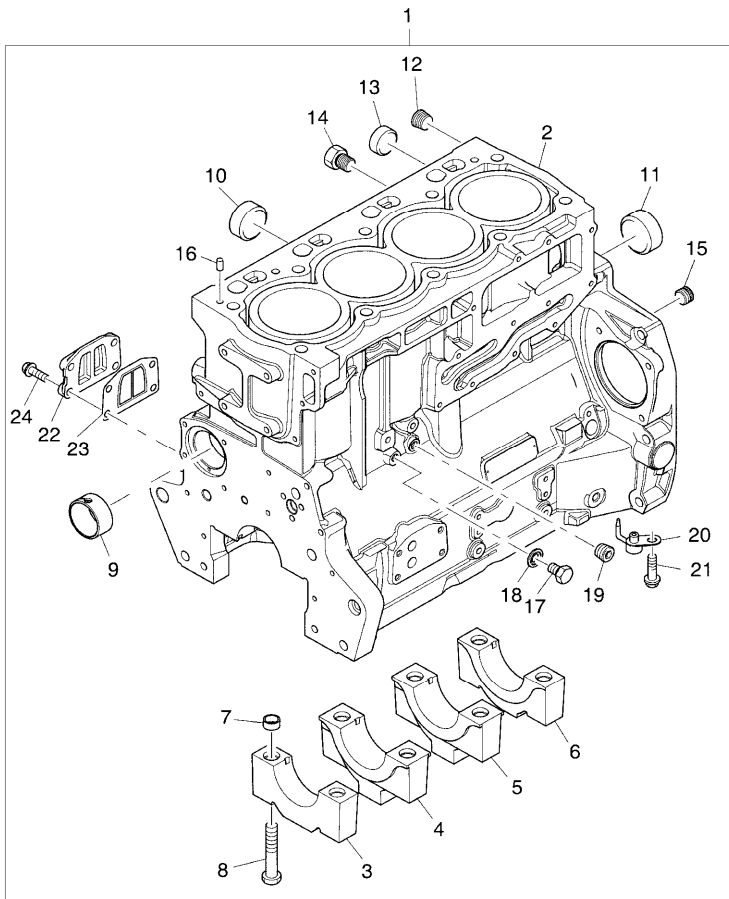
RP55\000015072.png

**A-05
03**



A0503

Cylinder block



		Inglese
1	ZZ50321	1 Block
2	!	1 Cylinder block
3	➡ Ref.n.1	1 Bearing
4	!	2 Bearing
5	➡ Ref.n.1	1 Bearing
6	!	1 Bearing
7	33142111	10 Manicott
8	32166329	10 Screw
9	3112D071	1 Bush
10	● 3112D075(1)	2 Plug
11	3241A011	1 Plug
12	0650588	1 Plug
13	0650710	1 Plug
14	32141316	1 Plug
15	3212P008	1 Plug
16	3244A009	2 Dowel
17	2314C049	1 Screw
18	2415D053	1 Washer
19	0650594	1 Plug

<https://www.ebooklibonline.com>

Hello dear friend!

Thank you very much for reading.

Enter the link into your browser.

The full manual is available for immediate download.

<https://www.ebooklibonline.com>

Engine

F Top Restyling (2010-) - RP55 - F100/GE/XL

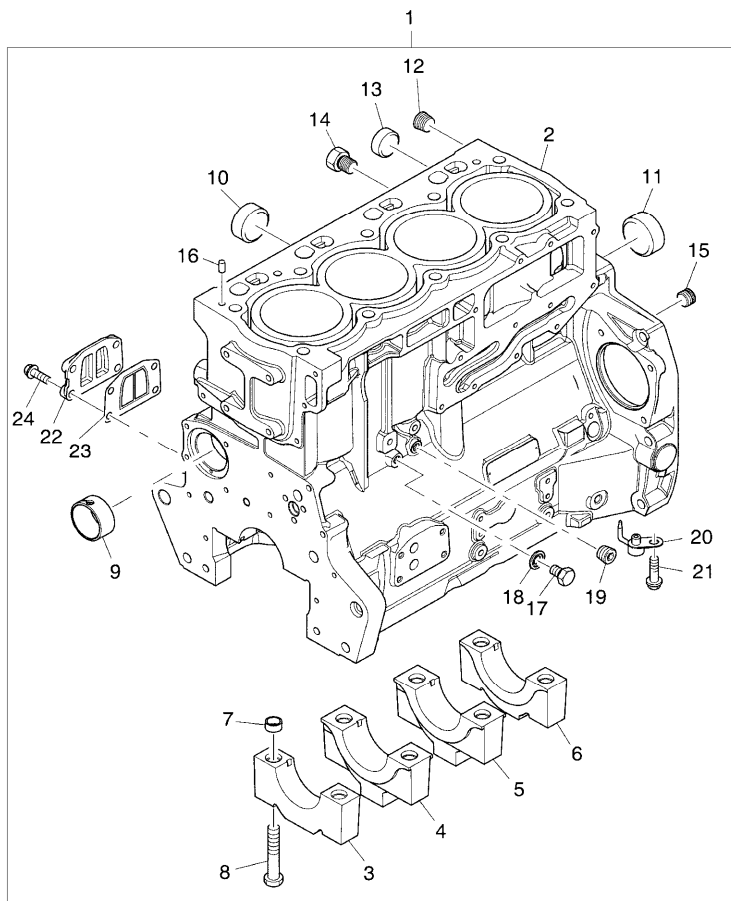
RP55\000015072.png

**A-05
03**



A0503

Cylinder block



- 20 2113A003 ! 1
- 21 2314F001 ! 1
- 22 3753A071 ! 1
- 23 3688A041 ! 1
- 24 2314H034 ! 1

! This is a component of an assembly

▣ Not serviced, order

● Replacement

Inglese

- 4 Atomiser
- 4 Screw
- 1 Coperch.
- 1 Ring
- 4 Screw

Engine

F Top Restyling (2010-) - RP55 - F100/GE/XL

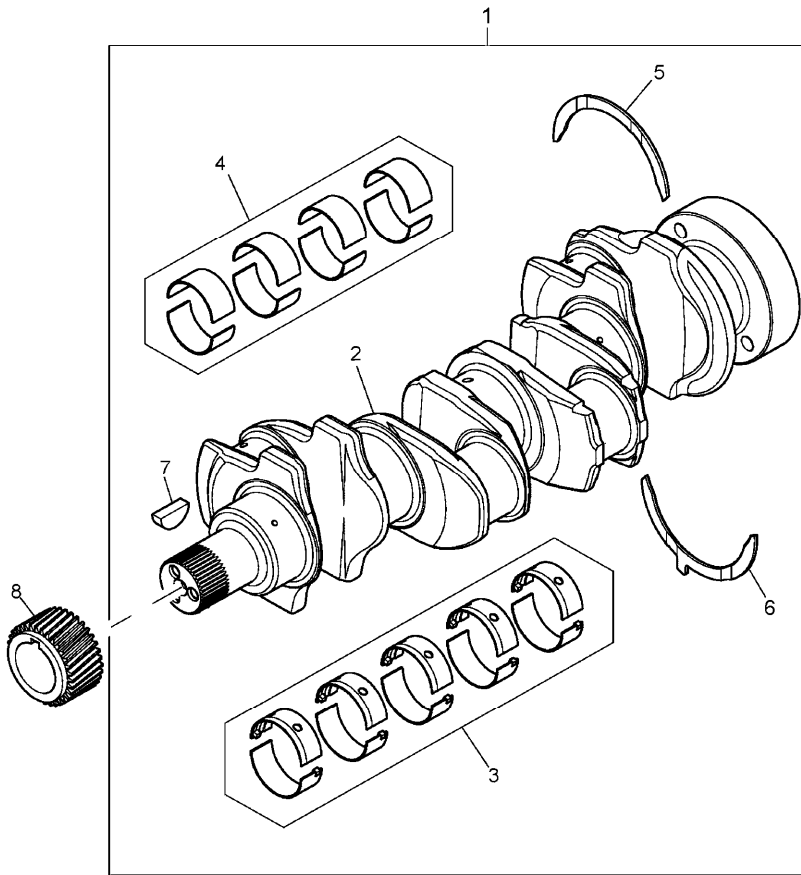
RP55\000015073.png

A-05
04



A0504

Camshaft



		Inglese	
1	ZZ90222	➔ U491476 t ● ZZ90239(1) T-A 15:0	1 Kit
1	ZZ90237	➔ U491477 t	1 Shaft
2		! 1	1 Shaft
3	U5MB0018	➔ Ref.n.1 ! 1 ● U5MB0033(1) T-A 15:0	1 Kit
3	U5MB0018A	! 1 ⚡ 0.010" ● U5MB0033A(1) T-A 15:0	1 Kit
3	U5MB0018B	! 1 ⚡ 0.020" ● U5MB0033B(1) T-A 15:0	1 Kit
3	U5MB0018C	! 1 ⚡ 0.030" ● N.L.A.(1) T-A 15:0	1 Kit
4	T400002	! 1 ➔ U491477 t ● T410927(1)	1 Kit

Engine

F Top Restyling (2010-) - RP55 - F100/GE/XL

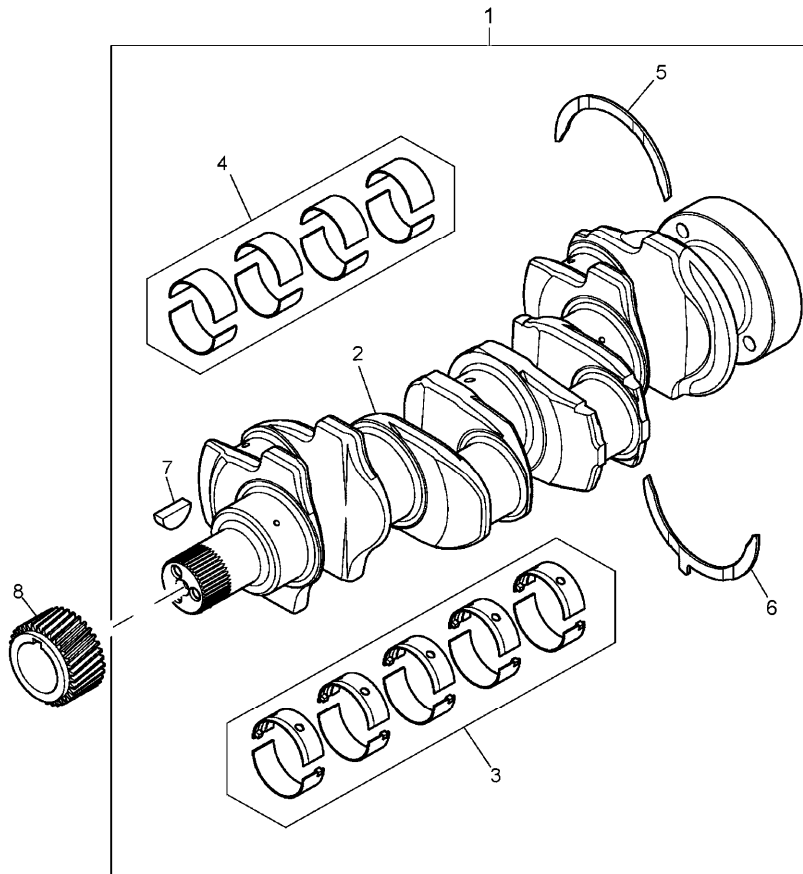
RP55\000015073.png

A-05
04



A0504

Camshaft



		Inglese	
4	U5ME0026	! 1	1 Kit
	➔	U491476 t	
	●	U5ME0034(1)	
4	U5ME0026A	! 1	1 Kit
	⌵	0.25mm	
	➔	U491476 t	
	●	U5ME0034A(1)	
4	U5ME0026B	! 1	1 Kit
	⌵	0.50mm	
	➔	U491476 t	
	●	U5ME0034B(1)	
4	U5ME0026C	! 1	1 Kit
	⌵	0.75mm	
	➔	U491476 t	
	●	U5ME0034C(1)	
5	31137312	! 1	2 Ring
	⌵	0.007"	
	T-A	15:0	
5	31137551	! 1	2 Washer
	T-A	15:0	
6	31137322	! 1	2 Ring
	⌵	0.007"	
	T-A	15:0	
6	31137561	! 1	2 Washer
	T-A	15:0	

Engine

A-05
04

Camshaft

F Top Restyling (2010-) - RP55 - F100/GE/XL



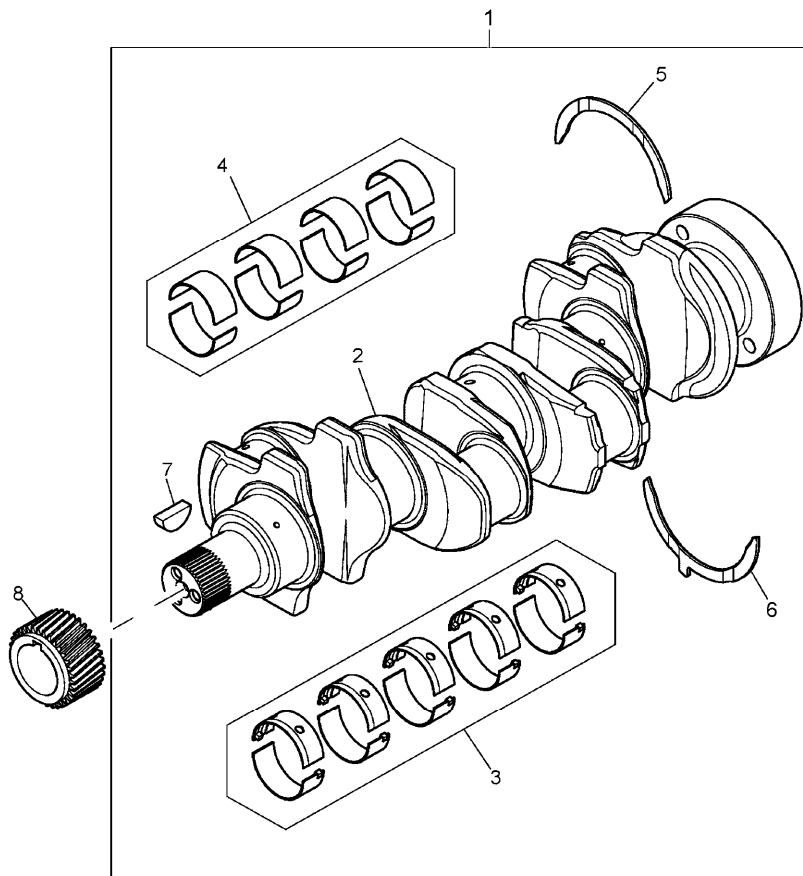
A0504

RP55\000015073.png

Inglese

7	0500012	!	1	1	Key
		T-A	10:0		
8	3117C221	T-A	10:0	1	Gear

- ! This is a component of an assembly
- ➔ From serial or engine number
- ➔ Up to serial or engine number
- ⊔ Not serviced, order
- ⚡ Shim
- Replacement
- T-A Replacement



Engine

F Top Restyling (2010-) - RP55 - F100/GE/XL

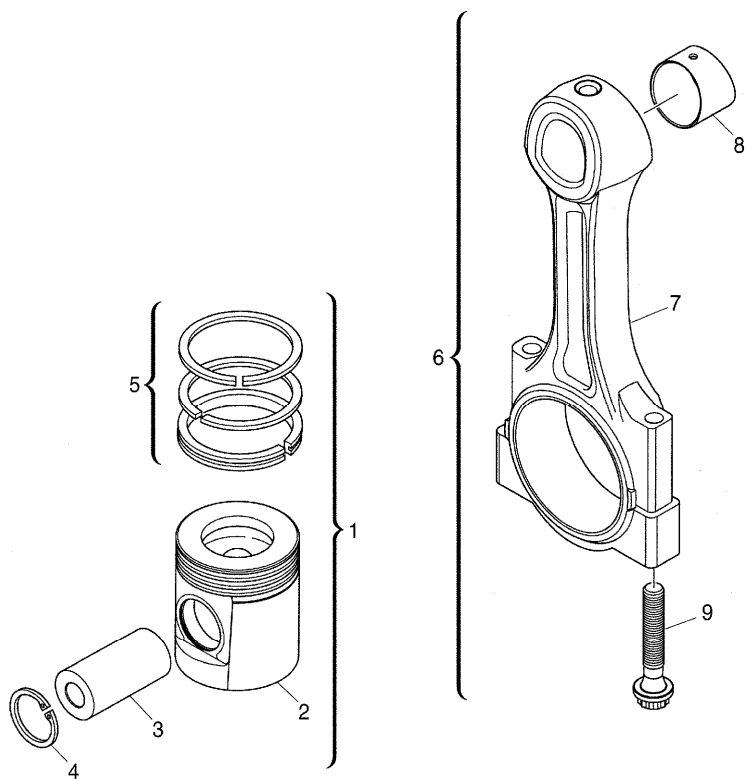
RP55\000020562.png

**A-05
05**



A0505

Pistons and connecting rods



			Inglese
1	U5PR0062	Std	4 Kit
1	U5PR0062B	+0,5 mm	4 Kit
2		! 1	1 Piston
		➡ Ref.n.1	
3		! 1	1 Piston
		➡ Ref.n.1	
4	2721332	! 1	2 Ring
5	UPRK0005	! 1	1 Kit
6	4115C311	➡ U491477 t	4 Kit
		A	
		T-A 14:0	
6	4115C312	➡ U491477 t	4 Kit
		B	
		T-A 14:0	
6	4115C313	➡ U491477 t	4 Kit
		C	
		T-A 14:0	
6	4115C314	➡ U491477 t	4 Kit
		D	
		T-A 14:0	
6	4115C315	➡ U491477 t	4 Kit
		E	
		T-A 14:0	
6	4115C316	➡ U491477 t	4 Kit
		F	
		T-A 14:0	

Engine

F Top Restyling (2010-) - RP55 - F100/GE/XL

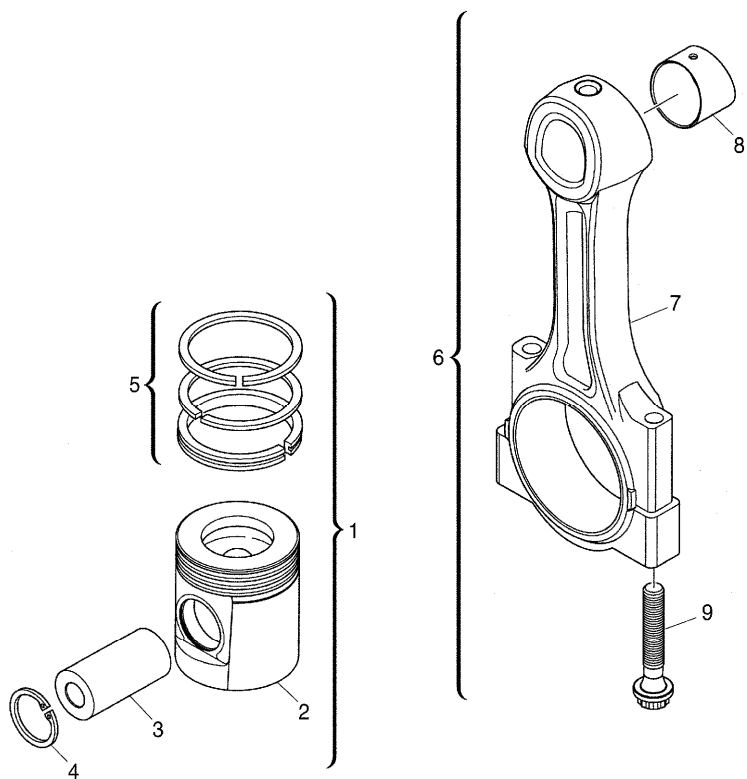
RP55\000020562.png

A-05
05



A0505

Pistons and connecting rods



		Inglese	
6	4115C361	➡ U491478 t	4 Conrod
	A		
6	4115C362	➡ U491478 t	4 Conrod
	B		
6	4115C363	➡ U491478 t	4 Conrod
	C		
6	4115C364	➡ U491478 t	4 Conrod
	D		
6	4115C365	➡ U491478 t	4 Conrod
	E		
6	4115C366	➡ U491478 t	4 Conrod
	F		
7	!	6	1 Conrod
	➡	Ref.n.6	
8	3112A005	!	6
	T-A	14:0	
9	3212V003	!	6
	➡	U491477t	
9	T400001	!	6
	➡	U491478t	

- ! This is a component of an assembly
- ➡ From serial or engine number
- ➡ Up to serial or engine number
- ➡ Not serviced, order
- T-A Replacement
- A Red
- B Orange

Engine

F Top Restyling (2010-) - RP55 - F100/GE/XL

RP55\000020562.png

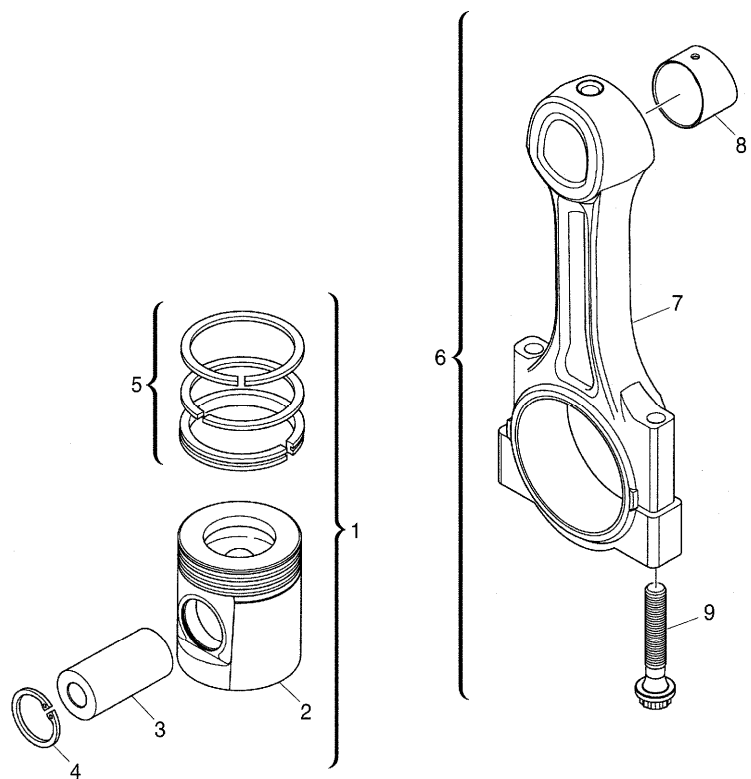
A-05
05



A0505

Pistons and connecting rods

- C White
- D Green
- E Purple
- F Blue



Engine

F Top Restyling (2010-) - RP55 - F100/GE/XL

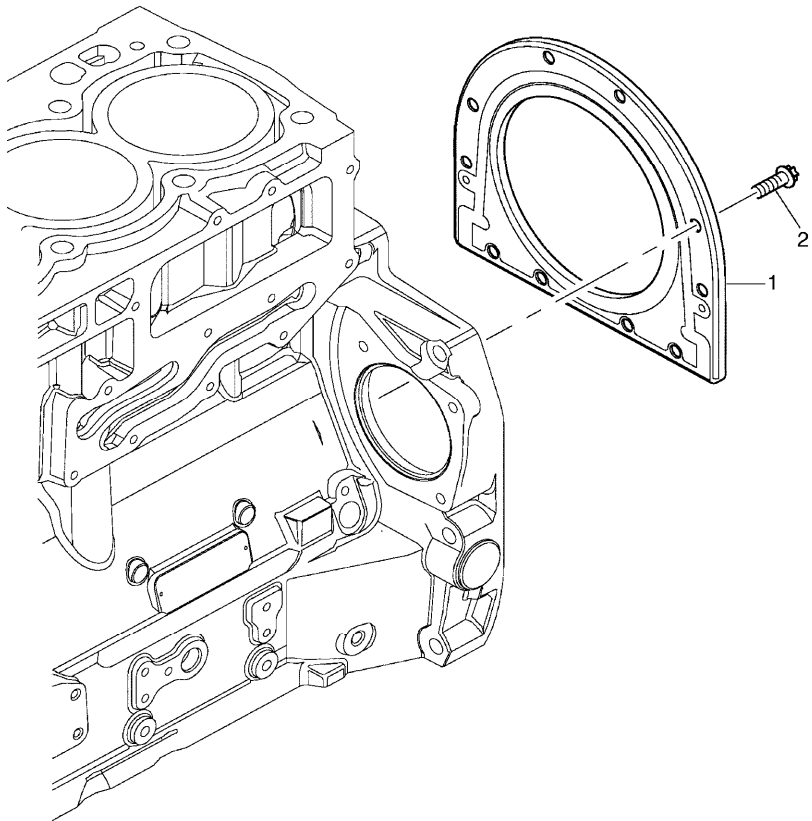
RP55\000015074.png

A-05
06



A0506

End cover



1 2418F704 T-A 9:0

2 3211C002

T-A Replacement

Inglese

1 Housing

10 Screw

Engine

A-05
07

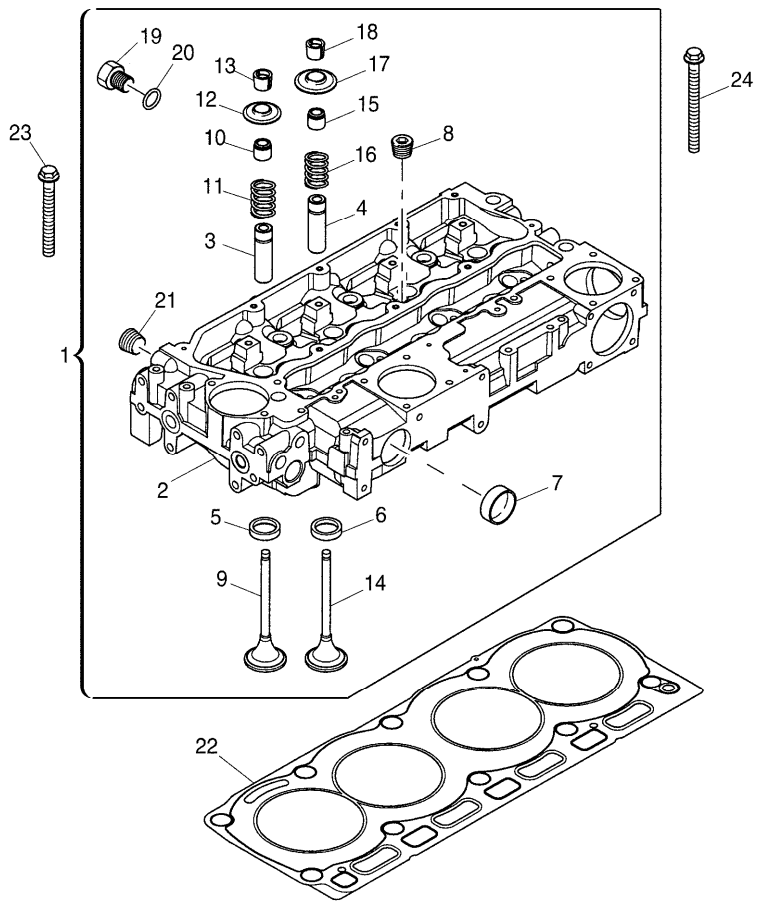
Cylinder head

F Top Restyling (2010-) - RP55 - F100/GE/XL



A0507

RP55\000020527.png



Inglese

21 2431154 ! 1

2 Plug

22 3681E051

1 Gasket

23 3218A011

7 Screw

24 3218A012

3 Screw

! This is a component of an assembly

Not serviced, order

Replacement

A Green

B Brown

Engine

F Top Restyling (2010-) - RP55 - F100/GE/XL

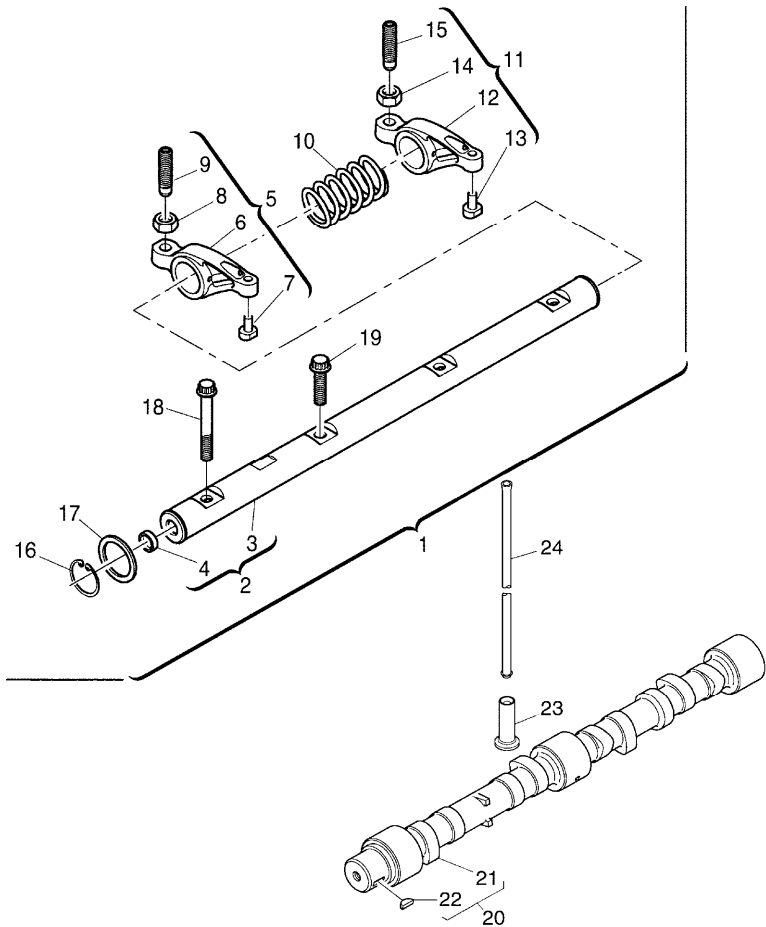
RP55\000015075.png

A-05
08



A0508

Rocker shaft



		Inglese
1	4115R613	1 Axle
2	4115R703	1 Shaft
	T-A 4:0	
3	!	1 Axle
	➡ Ref.n.2	
4	2485A104	2 Plug
5	4115R319	4 Lever
6	!	1 Rocker
	➡ Ref.n.5	
7	!	1 Pad
	➡ Ref.n.5	
8	3331A006	1 Nut
9	3211C004	1 Screw
10	3174A015	3 Spring
	T-A 4:0	
11	4115R318	4 Lever
12	!	1 Rocker
	➡ Ref.n.11	
13	!	1 Pad
	➡ Ref.n.11	
14	3331A006	1 Nut
15	3211C004	1 Screw
16	2722A022	2 Ring
17	2134A502	2 Washer
18	2316A901	1 Screw

Engine

F Top Restyling (2010-) - RP55 - F100/GE/XL

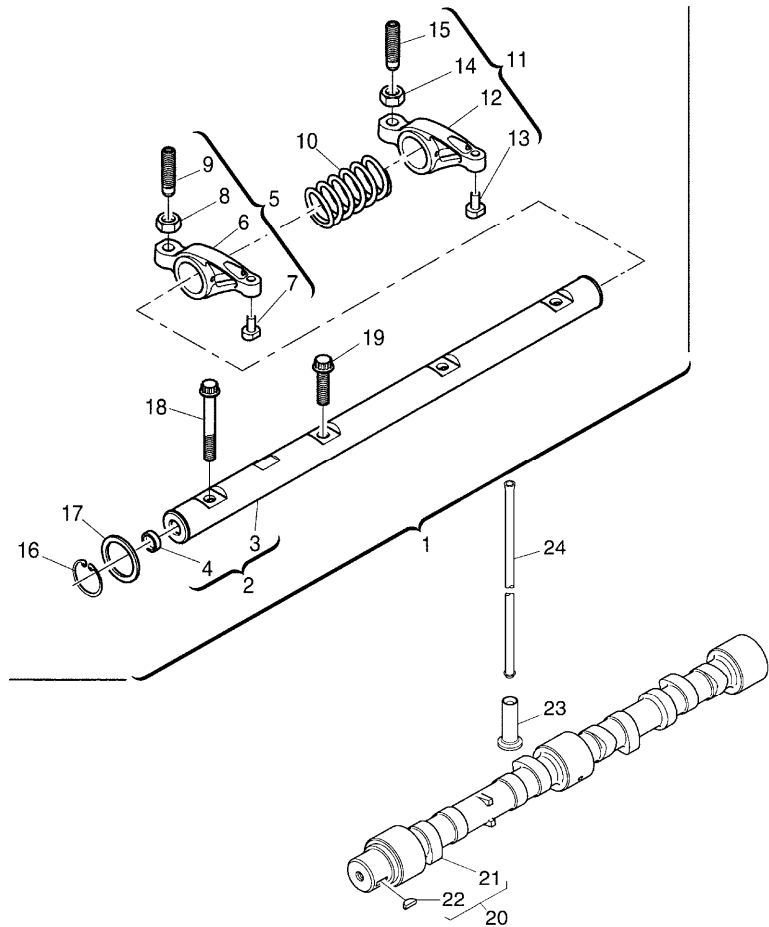
RP55\000015075.png

A-05
08



A0508

Rocker shaft



Inglese

19	2316A902	!	1	3	Screw
20	4112K076	●	4112K078(1)	1	Shaft
21		!	20	1	Shaft
		➡	Ref.n.20		
22	0500012	!	20	1	Key
23	3142U061			8	Tappet
24	3142V011			8	Rod

- ! This is a component of an assembly
- ➡ Not serviced, order
- Replacement
- T-A Replacement

Engine

F Top Restyling (2010-) - RP55 - F100/GE/XL

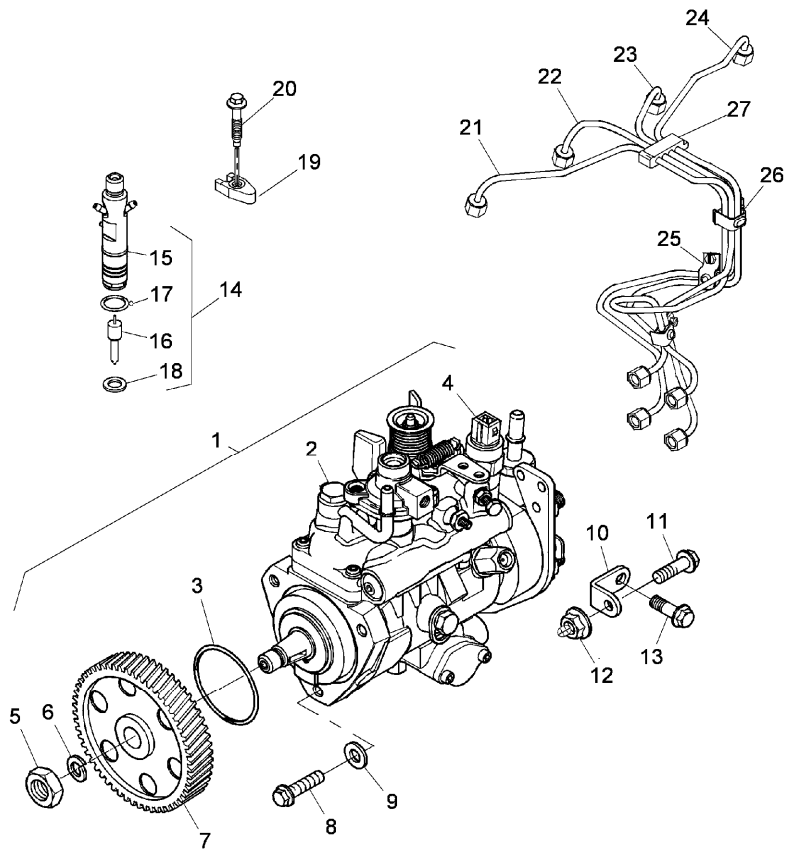
RP55\00007943.png

**A-05
09**



A0509

Fuel injection equipment (diesel)



			Inglese
1	2644C348/22		1 Pump
2		! 1	1 Pump
		➡ Ref.n.1	
3	26420318	! 1	1 Ring
		T-A 4:50	
4	26420469	! 1	1 Solenoid
		(X) 1.2.5.	
		T-A 0:25	
5	2318A108	! 1	1 Nut
6	K134AF01	! 1	1 Washer
7	3117L261		1 Gear
8	2314H004		3 Screw
9	2411D008		3 Washer
10	3641A007		1 Stirrup
11	2314H003		1 Screw
12	2318A603		1 Nut
13	2314J002		1 Screw
14	2645K025		4 Nozzle
15		! 14	1 Support
		➡ Ref.n.14	
16		! 14	1 Nozzle
		➡ Ref.n.14	
17	26460064	! 14	1 Ring
18	L311FF02	! 14	1 Washer
19	3751A241		4 Clamp

Engine

F Top Restyling (2010-) - RP55 - F100/GE/XL

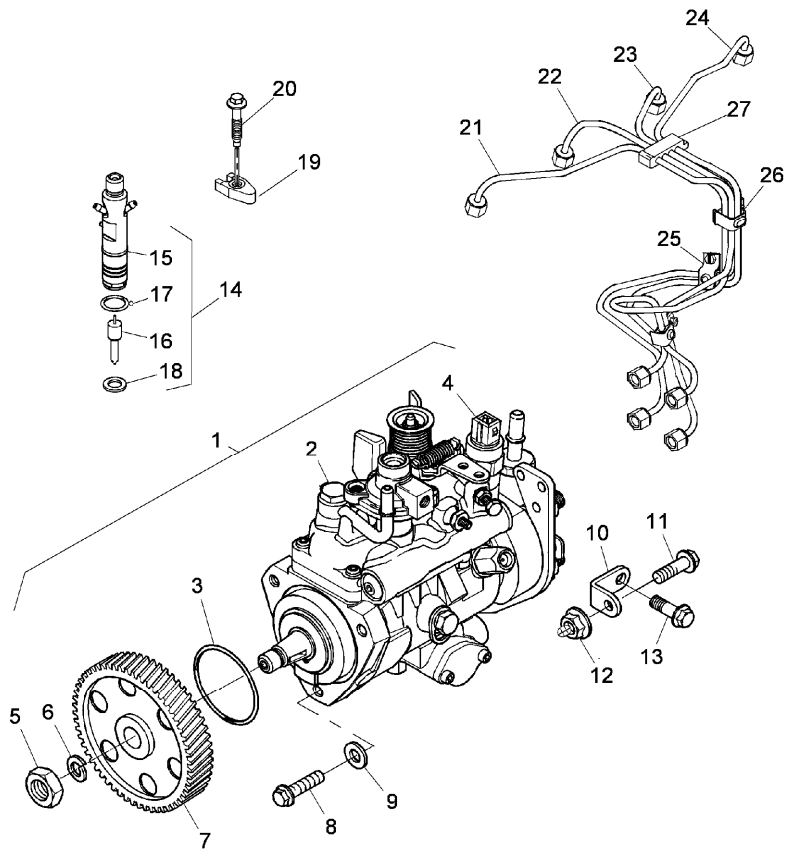
A-05
09



A0509

Fuel injection equipment (diesel)

RP55\00007943.png



- 20 2314W009
- 21 3525A101
- 22 3525A102
- 23 3525A103
- 24 3525A104
- 25 2481Y011
- 26 2481Y012
- 27 2646E019

Inglese

- 4 Screw
- 1 Pipe
- 1 Pipe
- 1 Pipe
- 1 Pipe
- 2 Clip
- 1 Clip
- 1 Clip

! This is a component of an assembly

Not serviced, order

(X) Qty per tractors sold (aa.bbb.ccc.ddd) (aa) for 1,(bbb) 2-10 (ccc) 11-25 (ddd) 26-50

T-A Replacement

Engine

F Top Restyling (2010-) - RP55 - F100/GE/XL

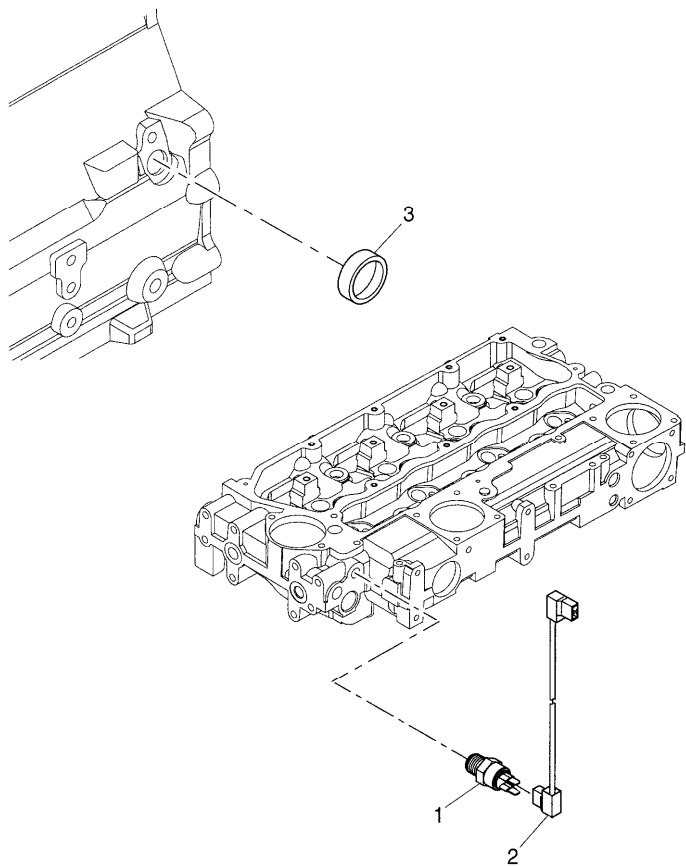
RP55\000020530.png

A-05
10



A0510

Sensor pickup



- 1 2848A123 A
- 2 3161C017
- 3 2485A109
- A Water temperature

Inglese

- 1 Sensor
- 1 Cable
- 1 Plug

Engine

F Top Restyling (2010-) - RP55 - F100/GE/XL

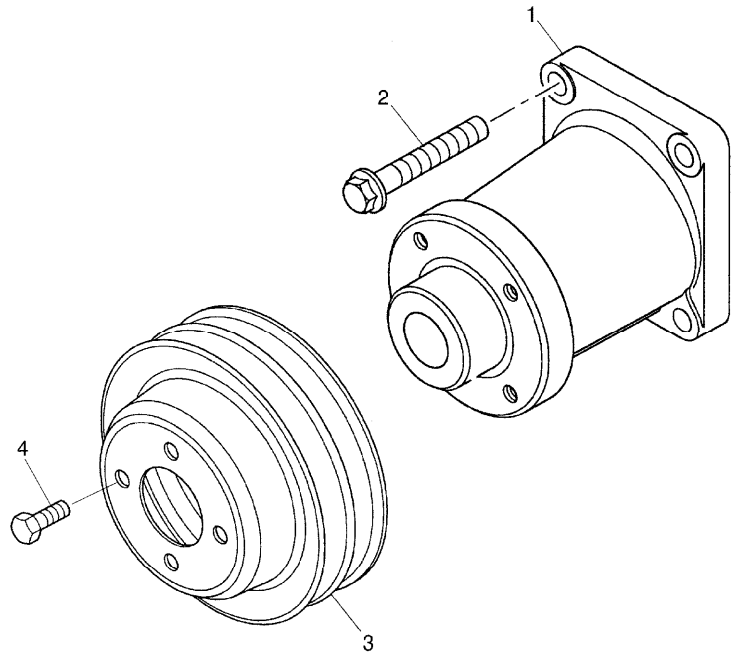
RP55\000015079.png

A-05
11



A0511

Fan-type pulley



- 1 4113K005 T-A 1:75
 - 2 2314J005
 - 3 3115C161
 - 4 2314C044
- T-A Replacement

Inglese

- 1 Housing
- 4 Screw
- 1 Pulley
- 4 Screw

Engine

F Top Restyling (2010-) - RP55 - F100/GE/XL

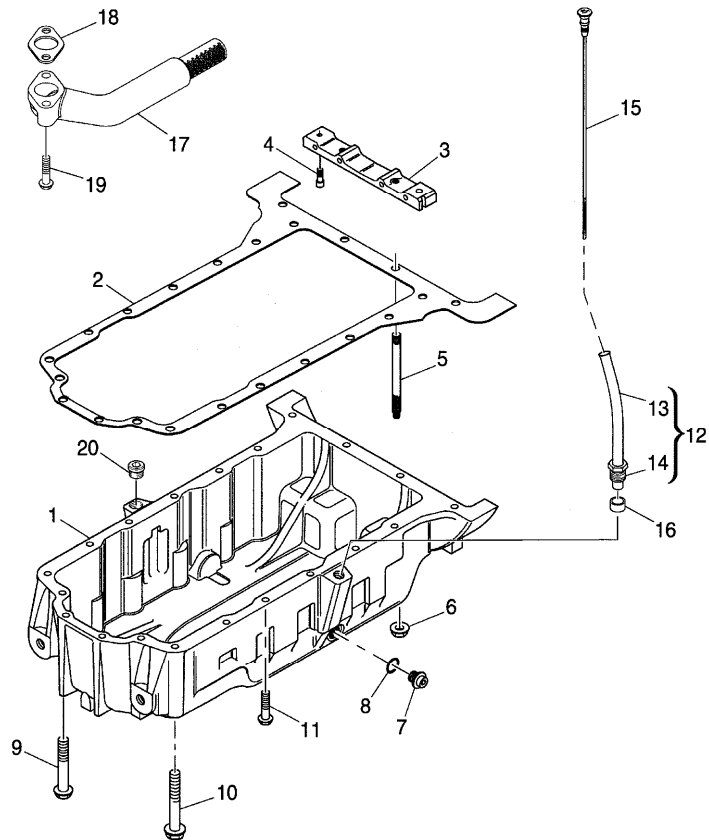
RP55\000014129.png

A-05
12



A0512

Lubricating oil sump



- | | | | |
|----|----------|-----|-------------|
| 1 | 3717E271 | | |
| 2 | 3681K036 | (X) | 1.2.5. |
| | | T-A | 1:50 |
| 3 | 3627P041 | T-A | 1:50 |
| 4 | 2311D039 | | |
| 5 | 3211P013 | | |
| 6 | 2318A603 | | |
| 7 | 32186405 | T-A | 0:25 |
| 8 | 2415715 | T-A | 0:25 |
| 9 | 2314H023 | | |
| 10 | 2314H022 | ● | 2314H052(1) |
| 11 | 2314H015 | | |
| 12 | 3577A125 | T-A | 0:25 |
| 13 | | ! | 12 |
| | | ➡ | Ref.n.12 |
| 14 | 3353D005 | ! | 12 |
| 15 | 3178C081 | T-A | 0:25 |
| 16 | 33812116 | | |
| 17 | 3765A091 | T-A | 1:75 |
| 18 | 36832137 | T-A | 1:75 |
| 19 | 2314H006 | | |
| 20 | 2431A016 | | |

Inglese

- | | |
|----|------------|
| 1 | Crankcase |
| 1 | Gasket |
| 1 | Crosspiece |
| 2 | Screw |
| 2 | Stud |
| 2 | Nut |
| 2 | Plug |
| 2 | Ring |
| 5 | Screw |
| 1 | Screw |
| 12 | Screw |
| 1 | Pipe |
| 1 | Pipe |
| 1 | Nut |
| 1 | Rod |
| 1 | Olive |
| 1 | Pipe |
| 1 | Gasket |
| 2 | Screw |
| 1 | Plug |

- ! This is a component of an assembly
- ➡ Not serviced, order
- Replacement

Engine

F Top Restyling (2010-) - RP55 - F100/GE/XL

RP55\000014129.png

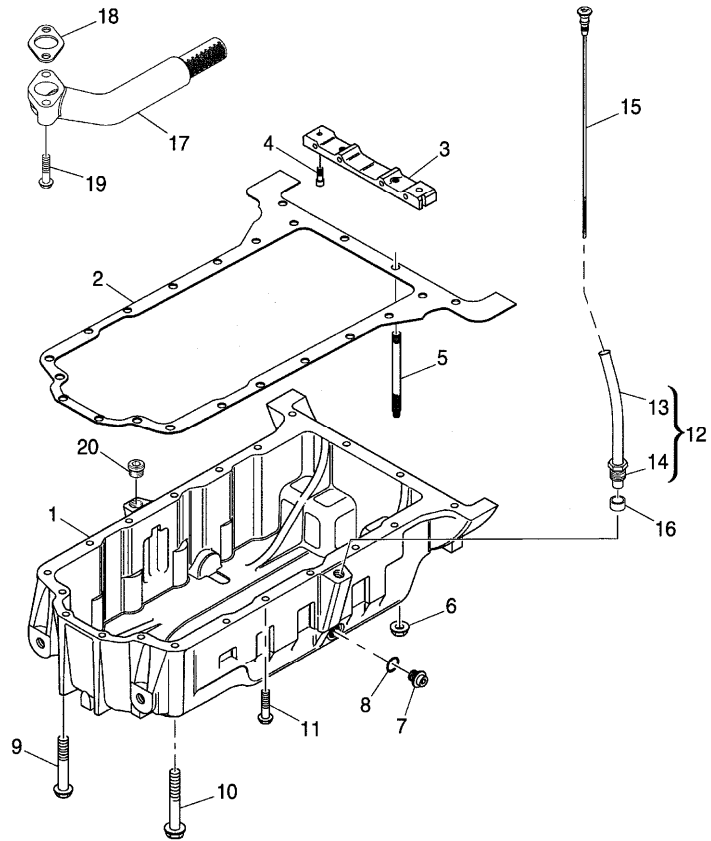
A-05
12



A0512

Lubricating oil sump

(X) Qty per tractors sold (aa.bbb.ccc.ddd) (aa) for 1,(bbb) 2-10 (ccc) 11-25 (ddd) 26-50
T-A Replacement



Engine

F Top Restyling (2010-) - RP55 - F100/GE/XL

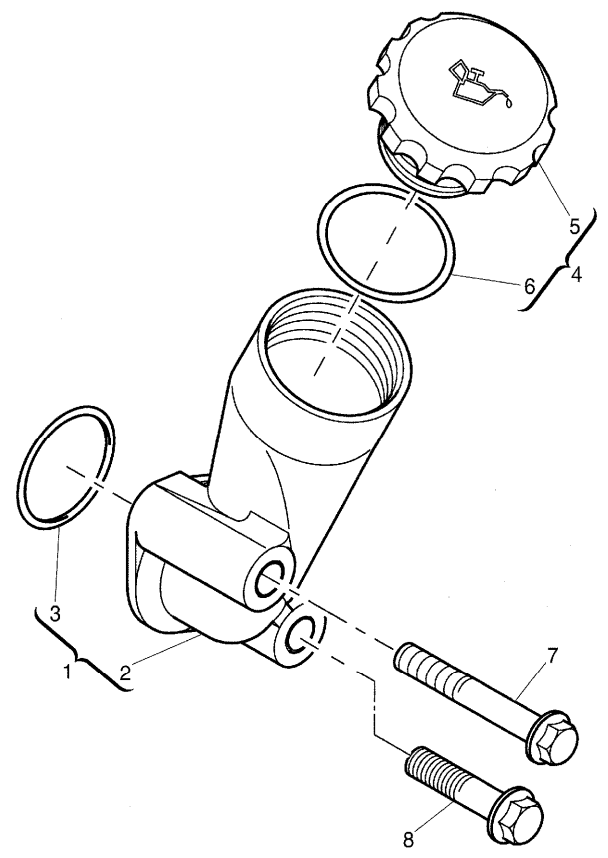
RP55\000020589.png

A-05
14



A0514

Filler



		Inglese	
1	4134C019	● N.L.S.(1)	1 Filler
		T-A 0:25	
2		! 1	1 Body
		➡ Ref.n.1	
3	2415B121	! 1	1 O ring
		T-A 0:25	
4	4142X098	! 1	1 Plug
		T-A 0:25	
5		! 4	1 Plug
		➡ Ref.n.4	
6	2415633	! 4	1 O ring
		T-A 0:25	
7	2314K161		1 Screw
8	2314H008		1 Screw
	!	This is a component of an assembly	
	➡	Not serviced, order	
	●	Replacement	
	T-A	Replacement	

Engine

F Top Restyling (2010-) - RP55 - F100/GE/XL

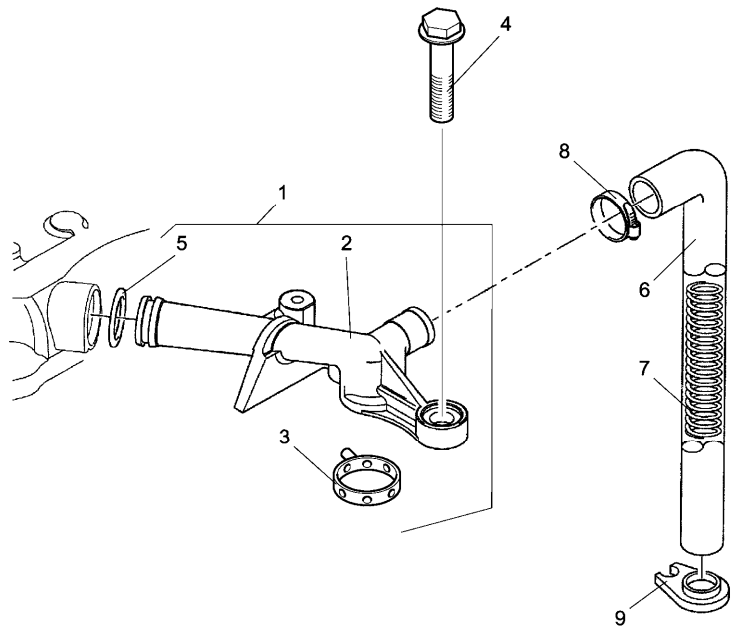
RP55\000014130.png

A-05
15



A0515

Breather



- | | | | | |
|-----|------------------------------------|-----|---------|--|
| 1 | 4134K022 | | | |
| 2 | | ! | 1 | |
| | | ➡ | Ref.n.1 | |
| 3 | 2415H701 | ! | 1 | |
| 4 | 2314F005 | | | |
| 5 | 2415A068 | ! | 1 | |
| | | T-A | 0:50 | |
| 6 | 33872632 | T-A | 0:25 | |
| 7 | 3175P003 | | | |
| 8 | 2481877 | | | |
| 9 | 36241123 | T-A | 0:25 | |
| ! | This is a component of an assembly | | | |
| ➡ | Not serviced, order | | | |
| T-A | Replacement | | | |

Inglese

- | | |
|---|---------|
| 1 | Pipe |
| 1 | Pipe |
| 1 | Ring |
| 2 | Screw |
| 1 | Ring |
| 1 | Pipe |
| 1 | Nut |
| 1 | Clamp |
| 1 | Support |

Engine

F Top Restyling (2010-) - RP55 - F100/GE/XL

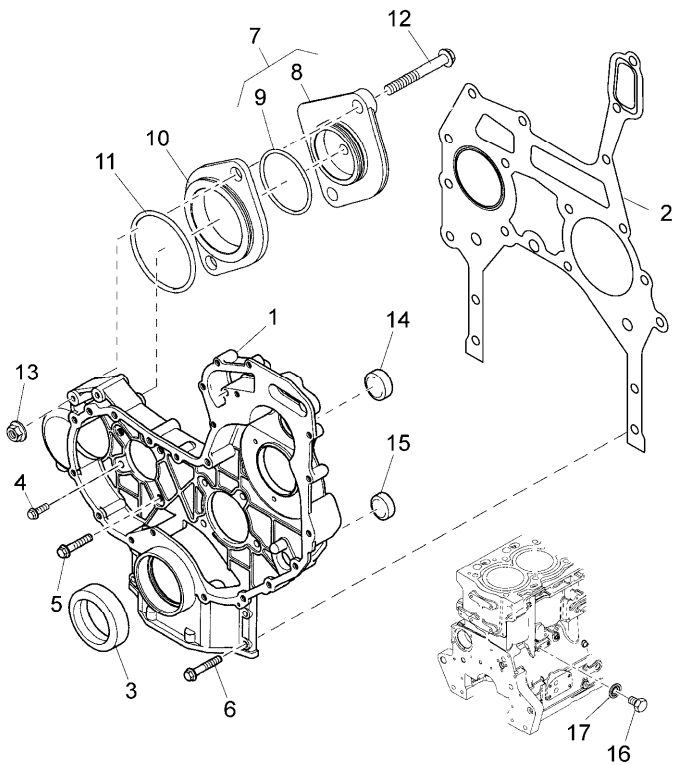
RP55\000015081.png

**A-05
16**



A0516

Gasket sets



		Inglese
1	3716C581	1 Housing
2	3681P053	1 Gasket
3	2418F437	1 Seal
4	2314H003	6 Screw
5	2314H006	2 Screw
6	2314H034	4 Screw
7	4148K012	1 Plate
8	!	7
	➡	Ref.n.7
9	2415H515	1 Ring
10	3617A021	1 Disc
11	2415H516	1 O ring
12	2314J014	2 Screw
13	2318A604	2 Nut
14	2485A124	1 Plug
15	2485A124	1 Plug
16	2314C049	1 Screw
17	2415D053	1 Washer
!	This is a component of an assembly	
➡	Not serviced, order	
T-A	Replacement	



Suggest:

For more complete manuals. Please go to the home page.

<https://www.ebooklibonline.com>

If the above button click is invalid. Please download this document first, and then click the above link to download the complete manual.

Thank you so much for reading

Engine

F Top Restyling (2010-) - RP55 - F100/GE/XL

RP55\00008152.png

A-05
17

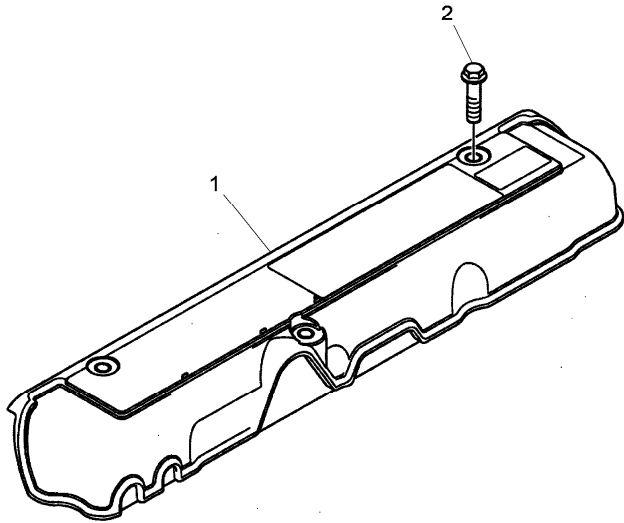


A0517

Cylinder head cover

- 1 3788N003
- 2 2314F003

- Inglese
- 1 Coperch.
 - 3 Screw



Engine

F Top Restyling (2010-) - RP55 - F100/GE/XL

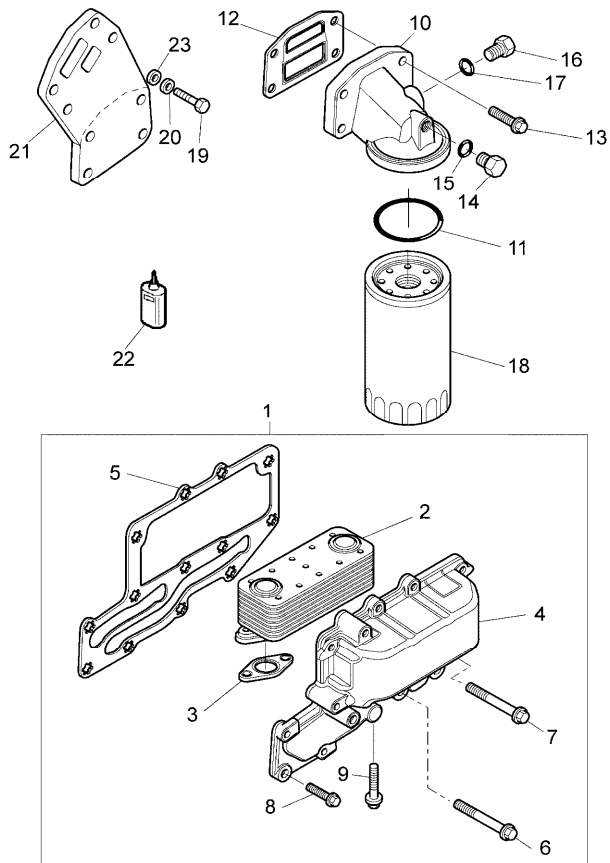
RP55\000015215.png

**A-05
18**



A0518

Heat exchanger and lubricating oil filter



		Inglese	
1	4134W021	● 4134W025(1)	1 Radiator
2	2486A217	! 1	1 Exchanger
3	3685A025	! 1	2 Ring
4		T-A 1:0	
4		! 1	1 Exchanger
5		➡ Ref.n.1	
5	3685A033	! 1	1 Gasket
6	2314K161	! 1	3 Screw
7	2314H004	! 1	8 Screw
8	2311D060	! 1	2 Screw
9	2314H006	! 1	4 Screw
10	3773A061		1 Head
11	3672135M1		2 Gasket
12	3688A039	T-A 0:50	1 Gasket
13	2314H034		4 Screw
14	3278A007		1 Plug
15	2415H009	T-A 0:25	1 O ring
16	3278A004		1 Plug
17	2415H002	T-A 0:25	1 Ring
18	3652517M91	● 2654403(1)	1 Filter
19	1440349X1	M8x30	4 Screw
19	339011X1	M8x45	4 Screw
20	390972X1	● Substitutions error	4 Washer
21	3670728M1		1 Support
22	3663814M1	● 1427801M2(999)	999 Loctite

<https://www.ebooklibonline.com>

Hello dear friend!

Thank you very much for reading.

Enter the link into your browser.

The full manual is available for immediate download.

<https://www.ebooklibonline.com>