

Engine

F Top Restyling (2010-) - RP55 - F90/GE/XL

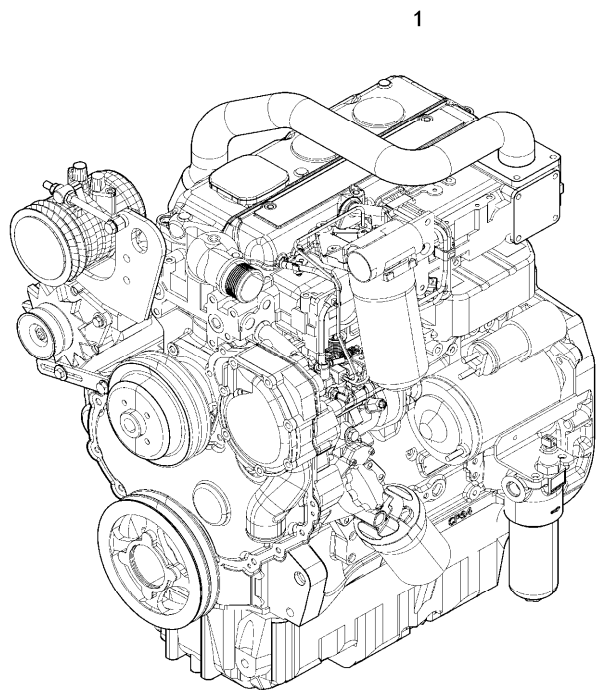
RP55\00005170.png

A-05
01



A0501

Engine assembly



		Inglese	
1	3695281M91	"perkins - nl38972 60kw	1 Engine
	A		
1	6510957M91	"perkins - nl51687 60 kw	1 Engine
	B		
1	6512311M91	"perkins - nl51687 60 kw	1 Engine
	C		
	D		
A	Tier 3		
B	Tier 3b		
C	Flexibility engine		
D	N.a.o. market		

Engine

F Top Restyling (2010-) - RP55 - F90/GE/XL

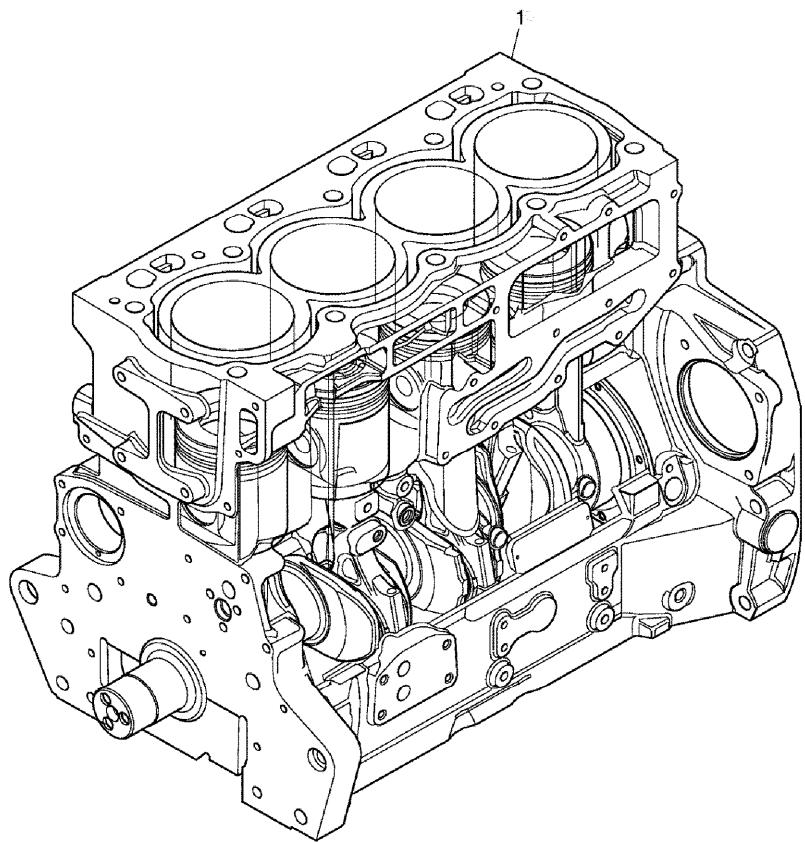
RP55\000015070.png

A-05
02



A0502

Short engine



Inglese

- | | | | | | |
|---|---------|--|----------------------------------|---|--------------|
| 1 | NM40008 | | U056074 t | 1 | Short engine |
| | | | 3115A141(1),
32186146(3), NM4 | | |
| 1 | NM40019 | | U056075 t | 1 | Short engine |

- From serial or engine number
- Up to serial or engine number
- Replacement

Engine

F Top Restyling (2010-) - RP55 - F90/GE/XL

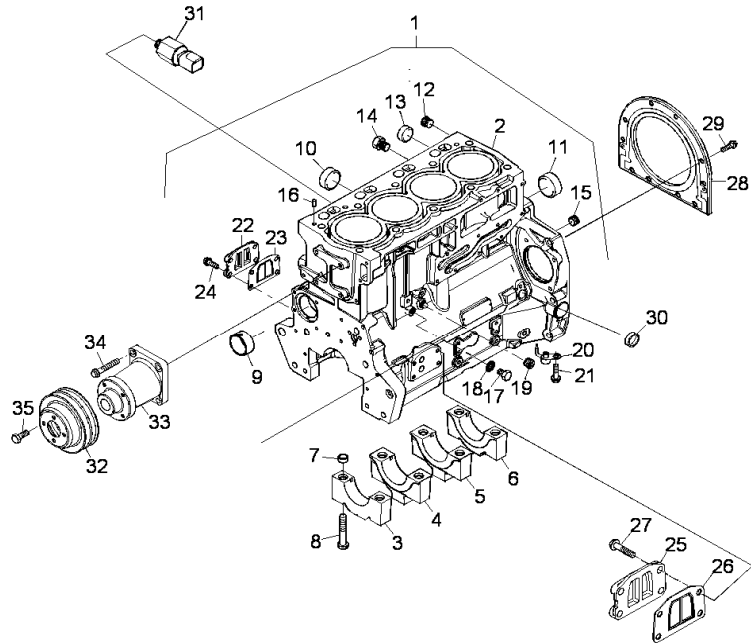
RP55\000015197.png

**A-05
03**



A0503

Cylinder block



		Inglese
1	⊕ A-05 02 01	1 Cylinder block
1	ZZ50321 ●	1 Block
2	! 1	1 Block
	➡ Ref.n.1	
3	! 1	1 Cap
	➡ Ref.n.1	
4	! 1	2 Cap
	➡ Ref.n.1	
5	! 1	1 Cap
	➡ Ref.n.1	
6	! 1	1 Cap
	➡ Ref.n.1	
7	! 1	10 Manicott
8	! 1	10 Screw
9	! 1	1 Bush
	● 3112D075(1)	
10	! 1	2 Plug
10	! 1	2 Plug
11	! 1	1 Plug
11	! 1	1 Plug
12	! 1	1 Plug
13	! 1	1 Plug
14	! 1	1 Plug
14	! 1	1 Plug
15	! 1	1 Plug

<https://www.ebooklibonline.com>

Hello dear friend!

Thank you very much for reading.

Enter the link into your browser.

The full manual is available for immediate download.

<https://www.ebooklibonline.com>

Engine

F Top Restyling (2010-) - RP55 - F90/GE/XL

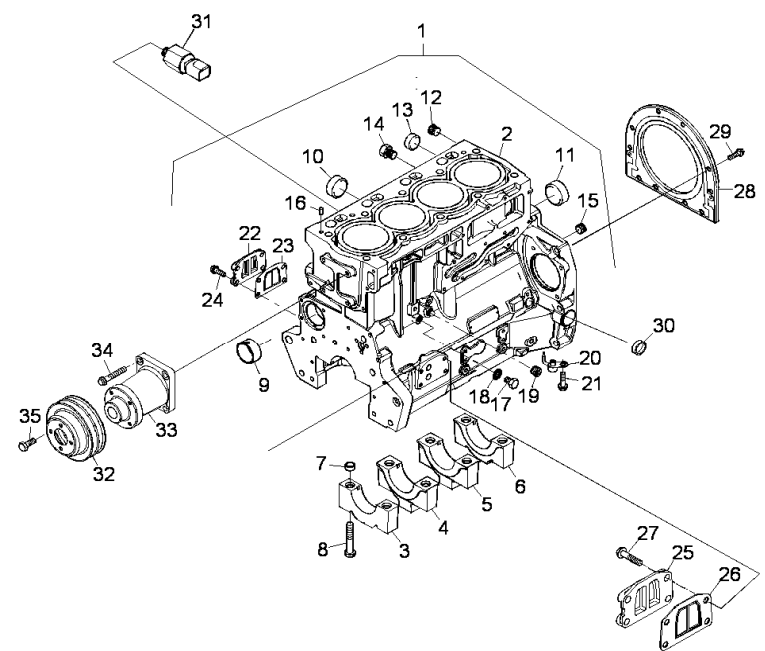
RP55\000015197.png

**A-05
03**



A0503

Cylinder block



		Inglese	
15	3212P008	!	1 Plug
16	3244A009	!	2 Dowel
17	2314C049	!	1 Screw
18	2415D053	!	1 Washer
19	0650594	!	1 Plug
20	2113A003	!	4 Atomiser
21	2314F001	!	4 Screw
22	3753A071	!	1 Coperch.
23	3688A041	!	1 Gasket
24	2314H034	!	4 Screw
26	3688A041	T-A 0:50	1 Ring
27	2314H034		4 Screw
28	2418F704	(X) 0.1.4. T-A 11:0	1 Housing
29	3211C002		10 Screw
30	2485A109		1 Plug
31	2848A051		1 Kit
32	3115C161		1 Pulley
33	4113K005		1 Housing
34	2314J005		4 Screw
35	2314C044		4 Screw

- ! This is a component of an assembly
- <> See page - reference number
- 📦 Not serviced, order
- Replacement
- (X) Qty per tractors sold (aa.bbb.ccc.ddd) (aa) for 1,(bbb) 2-10 (ccc) 11-25 (ddd) 26-50

Engine

F Top Restyling (2010-) - RP55 - F90/GE/XL

RP55\000015197.png

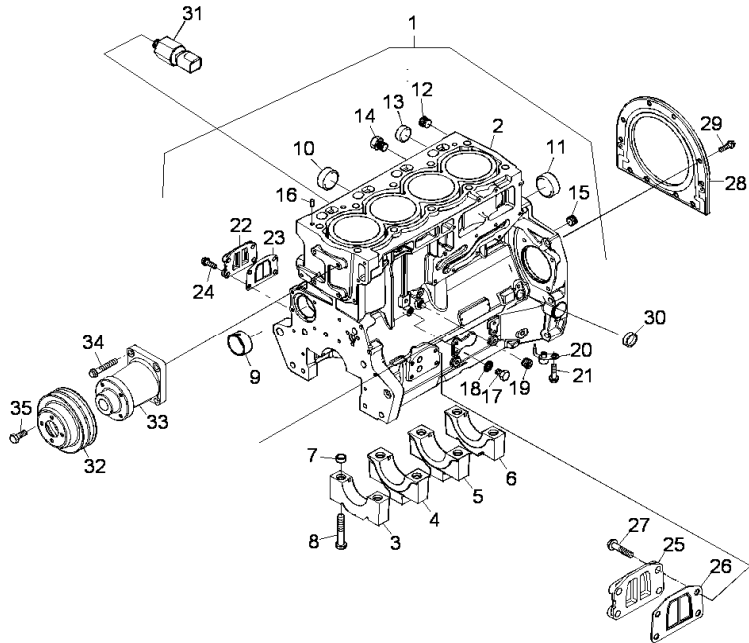
A-05
03



A0503

Cylinder block

T-A Replacement



Engine

F Top Restyling (2010-) - RP55 - F90/GE/XL

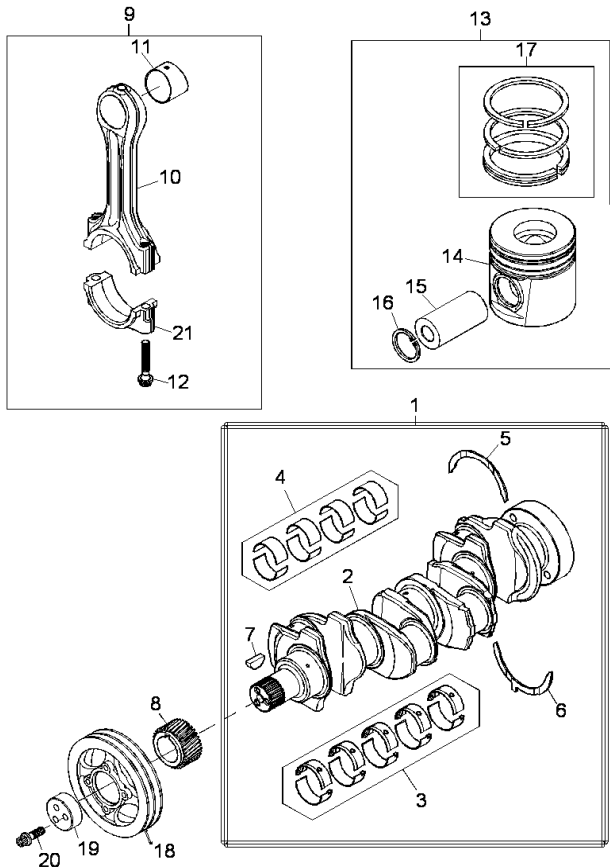
RP55\000015199.png

A-05
04



A0504

Crankshaft, pistons and connecting rods



Inglese

- | | | | | | |
|---|-----------|-----|--------------|---|------------|
| 1 | ZZ90222 | ➔ | U491476 t | 1 | Kit |
| | | ● | ZZ90239(1) | | |
| 1 | ZZ90222P | ● | N.L.A.(1) | 1 | Kit |
| 1 | ZZ90237 | ➔ | U491477 t | 1 | Shaft |
| 2 | | ! | 1 | 1 | Crankshaft |
| | | ➔ | Ref.n.1 | | |
| 3 | U5MB0018 | ! | 1 | 1 | Kit |
| | | ● | U5MB0033(1) | | |
| | | T-A | 18:50 | | |
| 3 | U5MB0018A | ✂ | (+)0.010" | 1 | Kit |
| | | ! | 1 | | |
| | | ● | U5MB0033A(1) | | |
| | | T-A | 18:50 | | |
| 3 | U5MB0018B | ✂ | (+)0.020" | 1 | Kit |
| | | ! | 1 | | |
| | | ● | U5MB0033B(1) | | |
| | | T-A | 18:50 | | |
| 3 | U5MB0018C | ✂ | (+)0.030" | 1 | Kit |
| | | ! | 1 | | |
| | | ● | N.L.A.(1) | | |
| | | T-A | 18:50 | | |
| 4 | T400002 | ! | 1 | 1 | Kit |
| | | ➔ | U491477 t | | |
| | | ● | T410927(1) | | |

Engine

F Top Restyling (2010-) - RP55 - F90/GE/XL

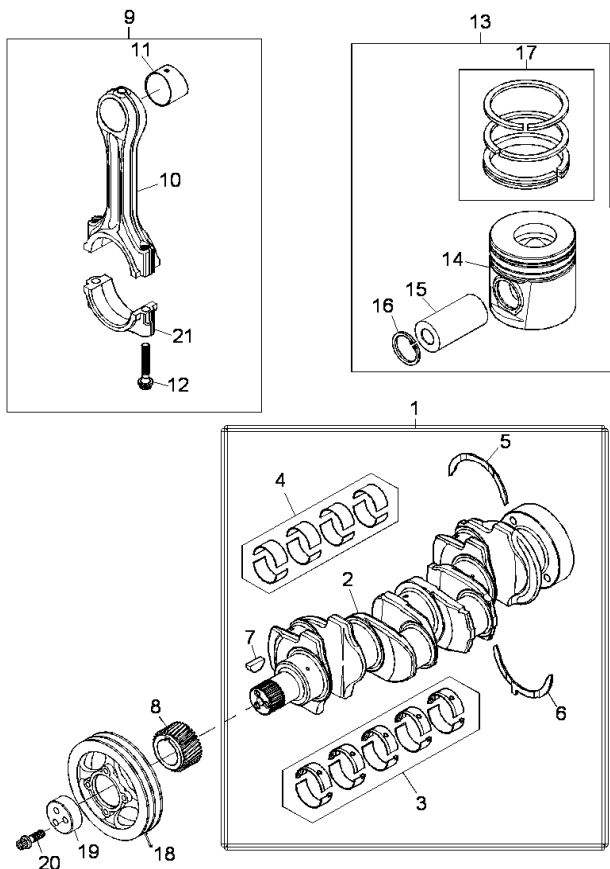
RP55\000015199.png

A-05
04



A0504

Crankshaft, pistons and connecting rods



Inglese

4	U5ME0026	!	1	1 Kit
		➔	U491476 t	
		●	U5ME0034(1)	
4	U5ME0026A	!	1	1 Kit
		⚡	(+)0.75 mm	
		➔	U491476 t	
		●	U5ME0034A(1)	
4	U5ME0026B	!	1	1 Kit
		⚡	(+)0.50 mm	
		➔	U491476 t	
		●	U5ME0034B(1)	
4	U5ME0026C	⚡	(+)0.75 mm	1 Kit
		!	1	
		➔	U491476 t	
		●	U5ME0034C(1)	
5	31137312	⚡	(+)0.007"	2 Ring
		!	1	
		T-A	18:50	
5	31137551	!	1	2 Washer
		T-A	18:50	
6	31137322	⚡	(+)0.007"	2 Ring
		!	1	
		T-A	18:50	
6	31137561	!	1	2 Washer
		T-A	18:50	
7	0500012	!	1	1 Key

Engine

F Top Restyling (2010-) - RP55 - F90/GE/XL

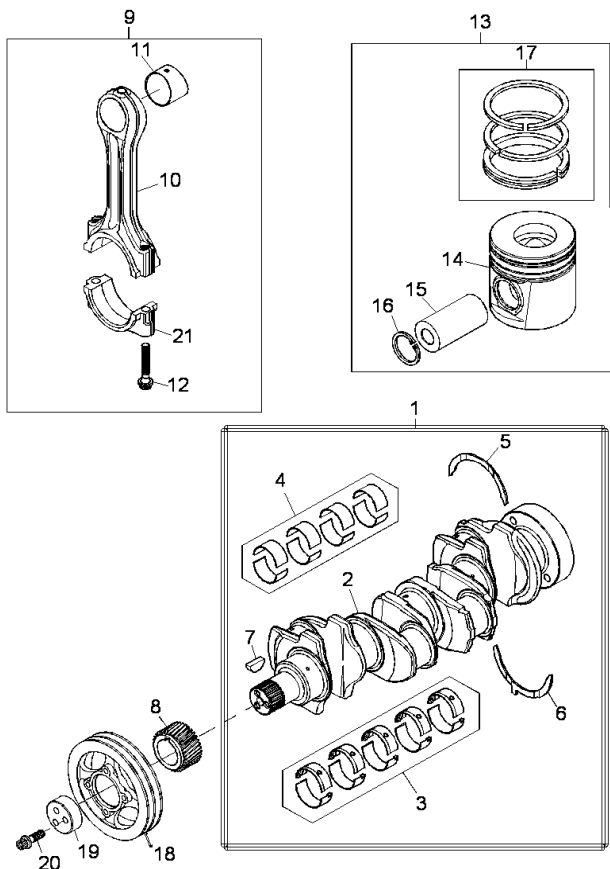
RP55\000015199.png

**A-05
04**



A0504

Crankshaft, pistons and connecting rods



				Inglese
8	3117C221	T-A	13:0	1 Gear
9	4115C311	➔	U491477 t	4 Kit
				F
				T-A 17:0
9	4115C312	➔	U491477 t	4 Kit
				E
				T-A 17:0
9	4115C313	➔	U491477 t	4 Kit
				D
				T-A 17:0
9	4115C314	➔	U491477 t	4 Kit
				C
				T-A 17:0
9	4115C315	➔	U491477 t	4 Kit
				B
				T-A 17:0
9	4115C316	➔	U491477 t	4 Kit
				A
				T-A 17:0
9	4115C361	➔	U491478 t	4 Conrod
				F
9	4115C362	➔	U491478 t	4 Conrod
				E
9	4115C363	➔	U491478 t	4 Conrod
				D

Engine

F Top Restyling (2010-) - RP55 - F90/GE/XL

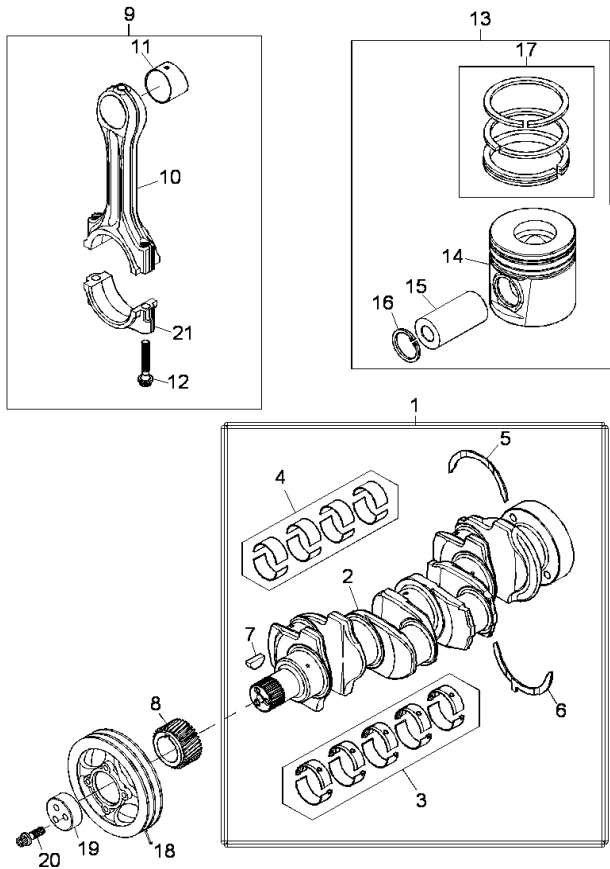
RP55\000015199.png

**A-05
04**



A0504

Crankshaft, pistons and connecting rods



		Inglese	
9	4115C364	➔ U491478 t C	4 Conrod
9	4115C365	➔ U491478 t B	4 Conrod
9	4115C366	➔ U491478 t A	4 Conrod
10		! 9 ➔ Ref.n.9	1 Conrod
11	3112A005	! 9 T-A 17:0	1 Bush
12	3212V003	! 9 ➔ U491477t	2 Screw
12	T400001	! 9 ➔ U491478t	2 Screw
13	U5PR0062	Std	4 Kit
13	U5PR0062B	+0,5 mm	4 Kit
14		! 13 ➔ Ref.n.13	1 Piston
15		! 13 ➔ Ref.n.1	1 Pin
16	2721332	! 13	2 Ring
17	UPRK0005	! 13	1 Kit
18	3115A141	➔ U056075 t	1 Pulley
18	3115T051	➔ U056074 t T-A 2:0	1 Pulley

Engine

F Top Restyling (2010-) - RP55 - F90/GE/XL

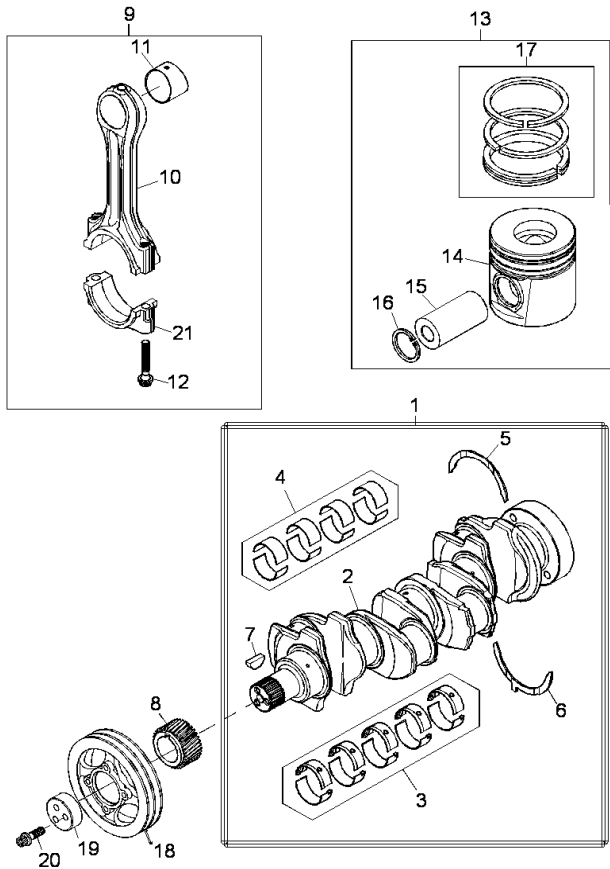
RP55\000015199.png

**A-05
04**



A0504

Crankshaft, pistons and connecting rods



		Inglese	
19	3241N001	➡ U056074 t	1 Block
		T-A 2:0	
20	32186137	➡ U056074 t	3 Screw
20	32186146	➡ U056075 t	3 Bolt
21		! 9	1 Cover
		📁 Ref.n.9	

- ! This is a component of an assembly
- ➡ From serial or engine number
- ➡ Up to serial or engine number
- 📁 Not serviced, order
- ⚡ Shim
- Replacement
- T-A Replacement
- A Blue
- B Purple
- C Green
- D White
- E Orange
- F Red

Engine

F Top Restyling (2010-) - RP55 - F90/GE/XL

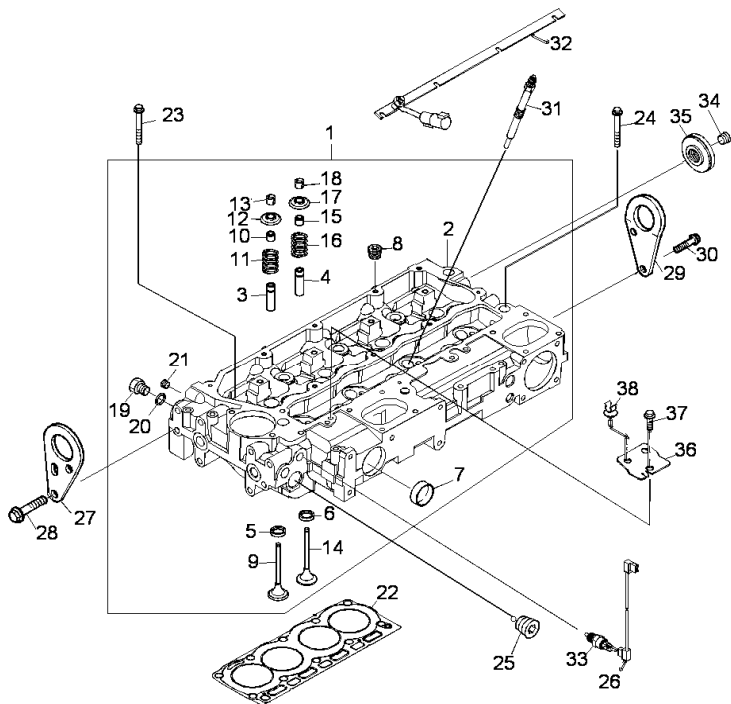
RP55\000015202.png

A-05
05



A0505

Cylinder head



1	ZZ80279		
2		!	1
		➡	Ref.n.1
3	3313A012	!	1
4	3313A012	!	1
5	3314A221	!	1
6	3314A231	!	1
7	32416117	!	1
		T-A	1:0
8	0650588	!	1
		T-A	0:50
9	3142H101	!	1
10	2418M519	!	1
		A	
11	3174A031	!	1
		●	T417479(4)
12	3342A021	!	1
13	2714A002	!	1
14	3142A171	!	1
15	2418M517	!	1
		B	
16	3174A031	!	1
		●	T417479(4)
17	3342A021	!	1
18	2714A002	!	1

Inglese

1	Cylinder head
1	Head
4	Insert
4	Insert
4	Insert
4	Insert
2	Plug
4	Plug
4	Valve
4	Ring
4	Spring
4	Coperch.
8	Collar
4	Valve
4	Ring
4	Spring
4	Coperch.
8	Collar

Engine

F Top Restyling (2010-) - RP55 - F90/GE/XL

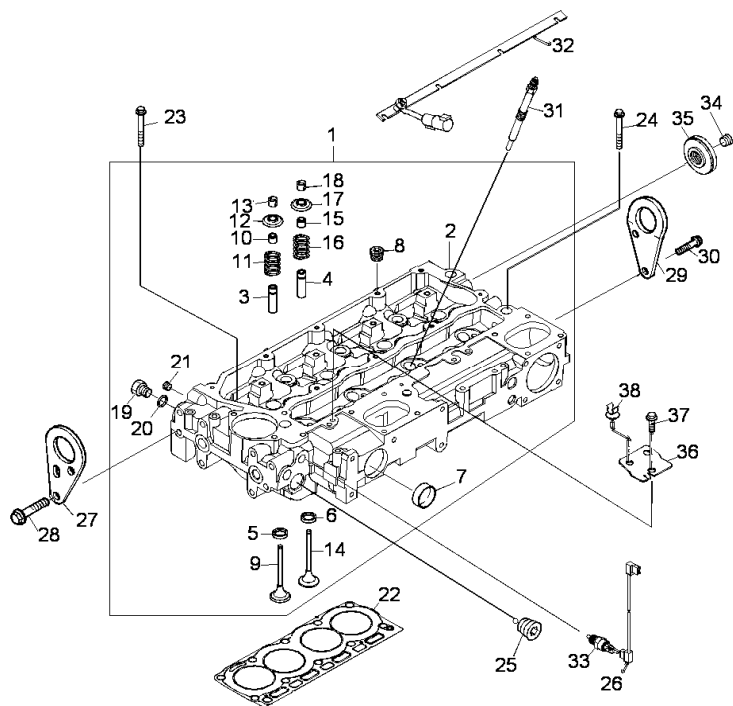
RP55\000015202.png

A-05
05



A0505

Cylinder head



- 19 3278A006 ! 1
 - 20 2415H003 ! 1
 - 21 2431154 ! 1
 - 22 3681E051
 - 23 3218A011
 - 24 3218A012
 - 25 2431154
 - 26 3161C017
 - 27 3617A015
 - 28 2314J002
 - 29 3647A007
 - 30 2314J002
 - 31 2666A016 T-A 0:75
 - 32 3161C054 ● T409642(1)
 - 33 2848A127 T-A 0:25
 - 34 2431154
 - 35 3342A701
 - 36 3653A017
 - 37 2314H002
 - 38 2481D456
- ! This is a component of an assembly
 ● Not serviced, order
 ● Replacement
 T-A Replacement
 A Green

Inglese

- 1 Plug
- 1 Ring
- 1 Plug
- 1 Gasket
- 7 Screw
- 3 Screw
- 1 Plug
- 1 Cable
- 1 Stirrup
- 2 Screw
- 1 Stirrup
- 2 Screw
- 4 Spark plug
- 1 Bar
- 1 Sensor
- Plug
- 1 Connection
- 1 Stirrup
- 1 Screw
- 1 Clip

Engine

F Top Restyling (2010-) - RP55 - F90/GE/XL

RP55\000015202.png

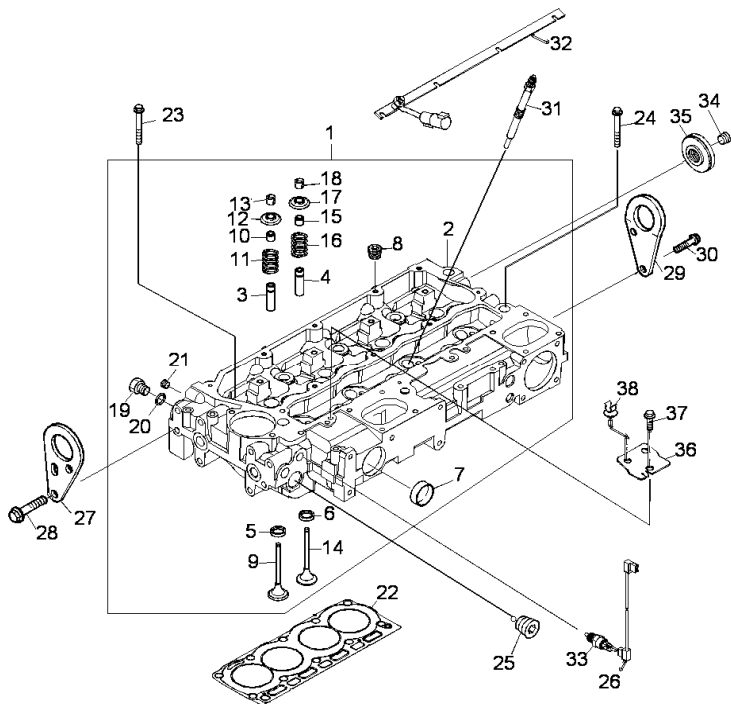
A-05
05



A0505

Cylinder head

B Brown



Engine

F Top Restyling (2010-) - RP55 - F90/GE/XL

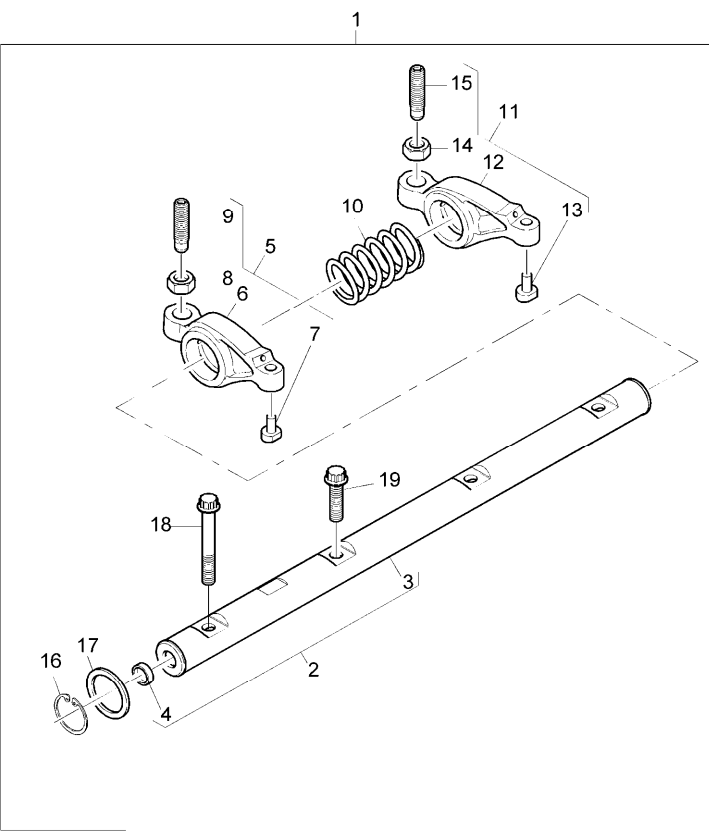
RP55\000015204.png

A-05
06



A0506

Rocker shaft



		Inglese
1	4115R613	1 Axle
2	4115R703	1 Shaft
	T-A 4:0	
3	!	1 Shaft
	➡ Ref.n.2	
4	2485A104	2 Plug
	T-A 4:0	
5	4115R319	4 Lever
6	!	1 Rocker
	➡ Ref.n.5	
7	!	1 Shim
	➡ Ref.n.5	
8	3331A006	1 Nut
9	3211C004	1 Screw
10	3174A015	3 Spring
	T-A 4:0	
11	4115R318	4 Lever
12	!	1 Rocker
	➡ Ref.n.11	
13	!	1 Shim
	➡ Ref.n.11	
14	3331A006	1 Nut
15	3211C004	1 Screw
16	2722A022	2 Ring
17	2134A502	2 Washer
	T-A 4:0	

Engine

F Top Restyling (2010-) - RP55 - F90/GE/XL

RP55\000015204.png

A-05
06



A0506

Rocker shaft

Inglese

18 2316A901 ! 1

1 Screw

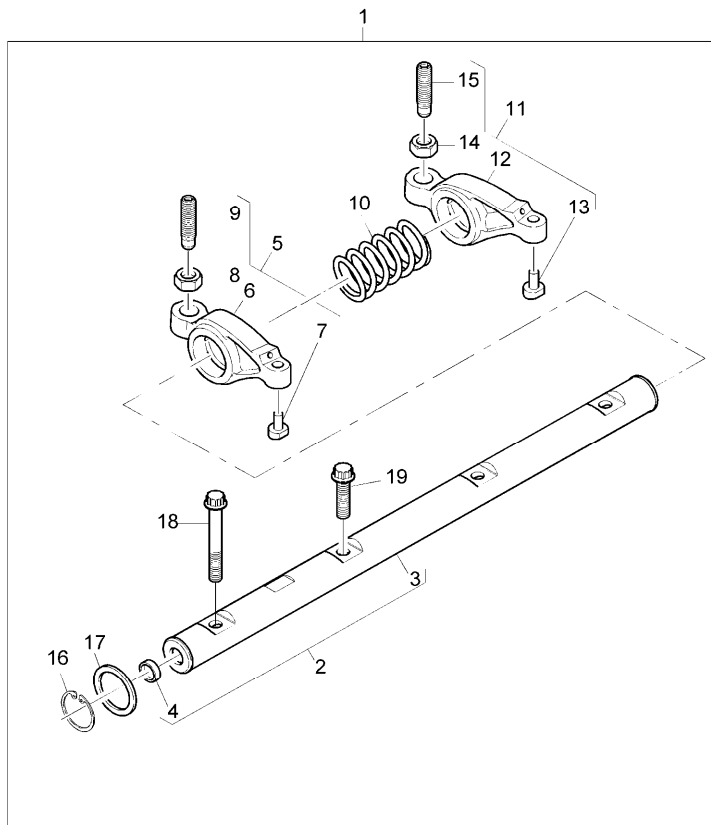
19 2316A902 ! 1

3 Screw

! This is a component of an assembly

Not serviced, order

T-A Replacement



Engine

F Top Restyling (2010-) - RP55 - F90/GE/XL

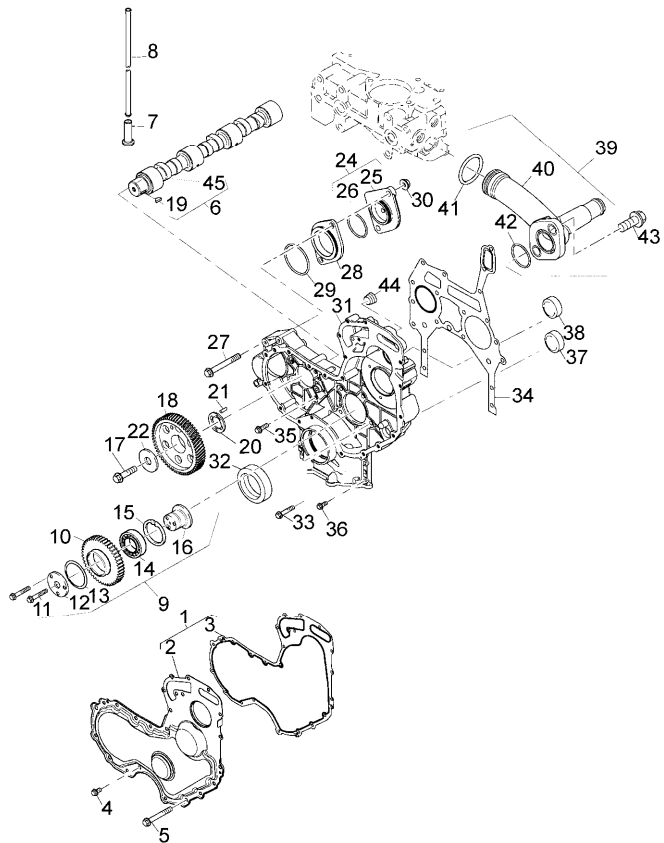
RP55\000015206.png

**A-05
07**



A0507

Timing gear and camshaft



1 4142A503

2

3 3681P046

4 2314H002

5 2314H012

6 4112K032

7 3142U061

8 3142V011

9 4111A028

10

11 2314C037

12 3241A013

13 2559A001

14 2558A501

15 2721B064

16 3272A015

!

1



Ref.n.1

!

1

(X)

1.3.5.

T-A

4:50



4112K077(1)



4111A048(1)

T-A

4:75

!

9



Ref.n.9

!

9

!

9

T-A

4:75

!

9

T-A

4:75

!

9

T-A

4:75

!

9

T-A

4:75

!

9

T-A

4:75

Inglese

1 Kit

1 Overlay

1 Gasket

9 Screw

5 Screw

1 Shaft

8 Tappet

8 Rod

1 Gear

1 Gear

1 Screw

1 Disc

2 Washer

1 Cuscinet

2 Ring

1 Hub

Engine

F Top Restyling (2010-) - RP55 - F90/GE/XL

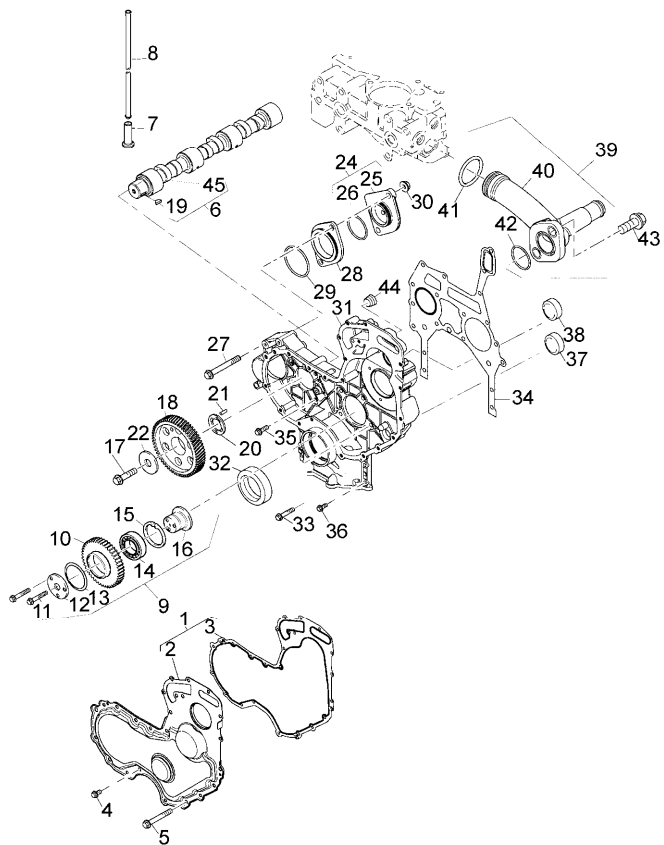
RP55\000015206.png

**A-05
07**



A0507

Timing gear and camshaft



		Inglese
17	2314J606	1 Screw
18	3117L271	1 Gear
	● 3117L272(1)	
	T-A 4:75	
19	0500012	1 Key
20	3321A003	1 Washer
21	2116053	1 Pin
22	3112X011	1 Washer
23	2314J012	3 Screw
24	4148K012	1 Plate
25	! 24	1 Plate
	➡ Ref.n.24	
26	2415H515	1 Ring
27	2314J014	2 Screw
28	3617A021	1 Disc
29	2415H516	1 O ring
30	2318A604	2 Nut
31	3716C581	1 Housing
32	2418F437	1 Gasket
33	2314H006	2 Screw
34	3681P053	1 Gasket
35	2314H003	6 Screw
36	2314H034	4 Screw
36	2485A124	Plug
37	2485A124	1 Plug
39	4133L048	1 Connection
	T-A 4:75	

Engine

F Top Restyling (2010-) - RP55 - F90/GE/XL

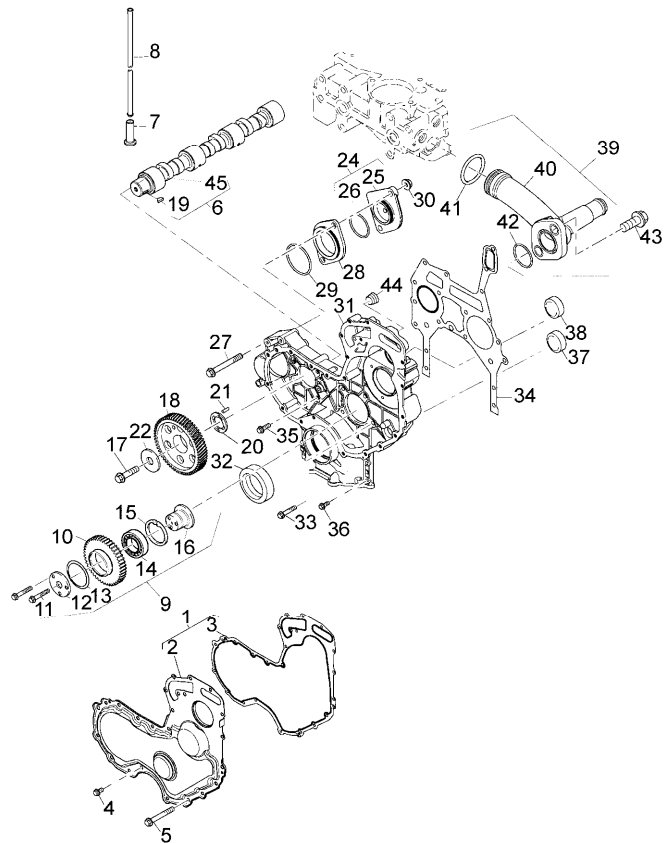
RP55\000015206.png

**A-05
07**



A0507

Timing gear and camshaft



		Inglese	
40	!	39	1 Connection
	➡	Ref.n.39	
41	2418F002	!	39
		T-A	4:75
42	2418F001	!	39
		T-A	4:75
43	2314H003		2 Screw
44	2431154		3 Plug
45		➡	Ref.n.6
		!	6
!	This is a component of an assembly		
➡	Not serviced, order		
●	Replacement		
(X)	Qty per tractors sold (aa.bbb.ccc.ddd) (aa) for 1,(bbb) 2-10 (ccc) 11-25 (ddd) 26-50		
T-A	Replacement		

Engine

F Top Restyling (2010-) - RP55 - F90/GE/XL

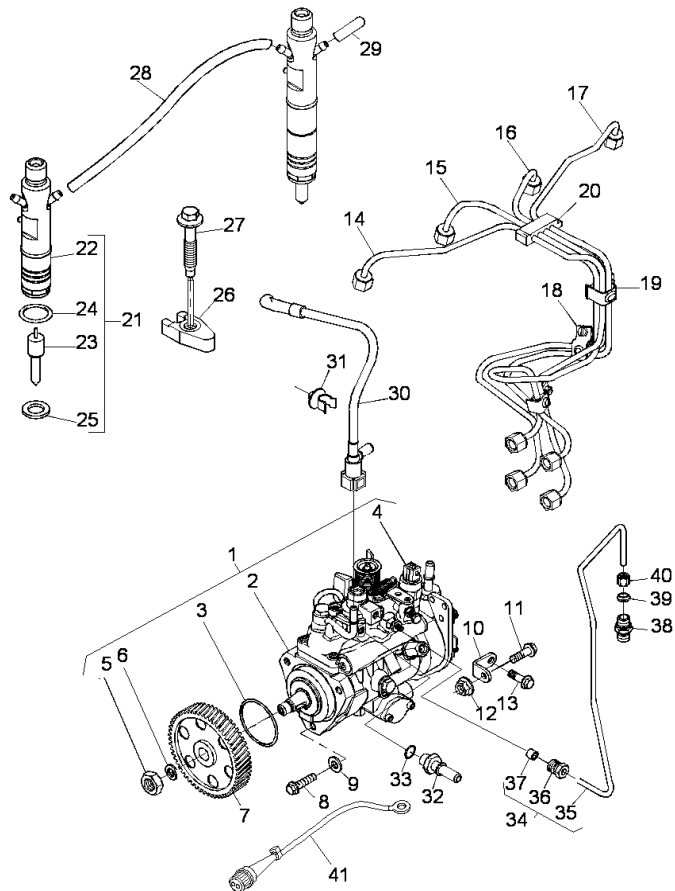
RP55\000015209.png

A-05
08



A0508

Fuel injection equipment (diesel)



1 2644C342/22

2 ! 1

➡ Ref.n.1

3 26420318 ! 1

4 26420469 ! 1

5 2318A108 ! 1

6 K134AF01 ! 1

7 3117L261

8 2314H004

9 2411D008

10 3641A007

11 2314H003

12 2318A603

13 2314J002

14 3525A101

15 3525A102

16 3525A103

17 3525A104

18 2481Y011

19 2481Y012

20 2646E019

21 2645K025

22

➡ Ref.n.21

! 21

Inglese

1 Pump

1 Pump

1 Ring

1 Solenoid

1 Nut

1 Washer

1 Gear

3 Screw

3 Washer

1 Stirrup

1 Screw

1 Nut

1 Screw

1 Pipe

1 Pipe

1 Pipe

1 Pipe

2 Clip

1 Clip

1 Clip

1 Nozzle

1 Nozzle

Engine

F Top Restyling (2010-) - RP55 - F90/GE/XL

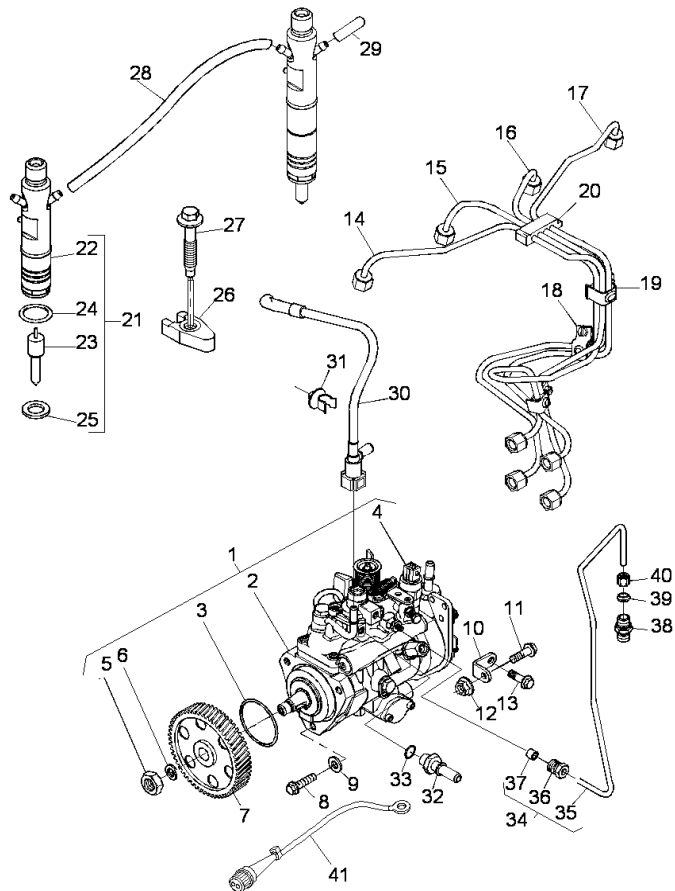
RP55\000015209.png

**A-05
08**



A0508

Fuel injection equipment (diesel)



		Inglese
23	➡ Ref.n.21	1 Jet
	! 21	
24	26460064 ! 21	1 Ring
25	L311FF02 ! 21	1 Washer
26	3751A241	4 Clamp
27	2314W009	4 Screw
28	2646F501	3 Pipe
29	2646E501	1 Cap
30	2646F007	1 Pipe
31	2481D456	1 Clip
32	3346A009	1 Connection
33	2415H009	1 O ring
34	4121A064	1 Pipe
35	! 34	1 Pipe
	➡ Ref.n.34	
36	➡ Ref.n.34	1 Nut
	! 34	
37	33811112 ! 34	1 Spinner
38	0206006 ● N.L.A.(1)	1 Union
39	0566002	1 Olive
40	0576111	1 Nut
41	A	1 Harness

! This is a component of an assembly

➡ Not serviced, order

● Replacement

Engine

**A-05
08**

Fuel injection equipment (diesel)

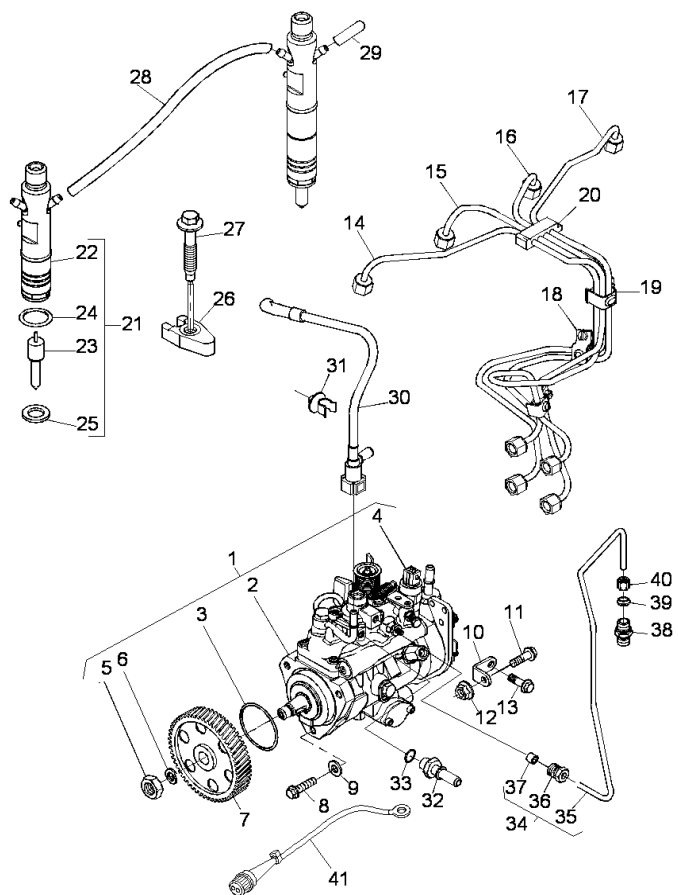
F Top Restyling (2010-) - RP55 - F90/GE/XL



A0508

RP55\000015209.png

A Not fitted on this application



Engine

F Top Restyling (2010-) - RP55 - F90/GE/XL

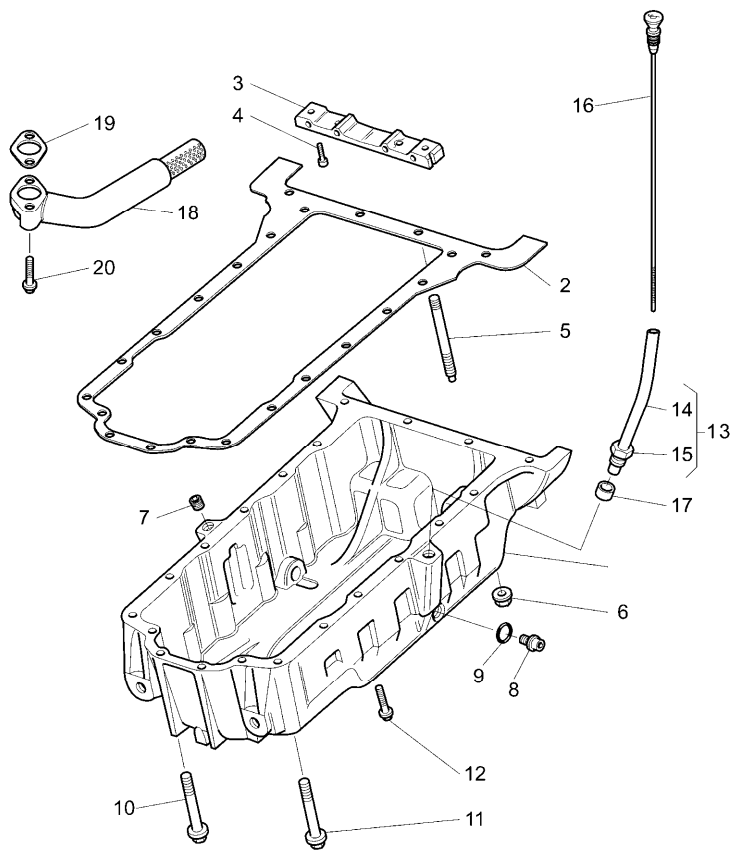
RP55\00011008.png

A-05
09



A0509

Lubricating oil sump



1	3717E271	T-A	2:0
2	3681K036	(X)	1.2.3.
		T-A	2:0
3	3627P041	T-A	2:0
4	2311D039		
5	3211P013		
6	2318A603		
7	2431A016		
8	32186405		
9	2415715		
10	2314H023		
11	2314H022	●	2314H052(1)
12	2314H015		
13	3577A159		
14		!	13
		➡	Ref. n.13
15	3353D005	!	13
16	3178C081	(X)	1.2.4.
		T-A	0:25
17	33812116	T-A	0:25
18	3765A091	T-A	2:25
19	36832137	T-A	2:25
20	2314H006		

Inglese

1	Crankcase
1	Gasket
1	Crosspiece
2	Screw
2	Stud
2	Nut
1	Plug
2	Plug
2	Ring
5	Screw
1	Screw
12	Screw
1	Pipe
1	Pipe
1	Nut
1	Rod
1	Olive
1	Pipe
1	Gasket
2	Screw

! This is a component of an assembly
➡ Not serviced, order

Engine

F Top Restyling (2010-) - RP55 - F90/GE/XL

RP55\00011008.png

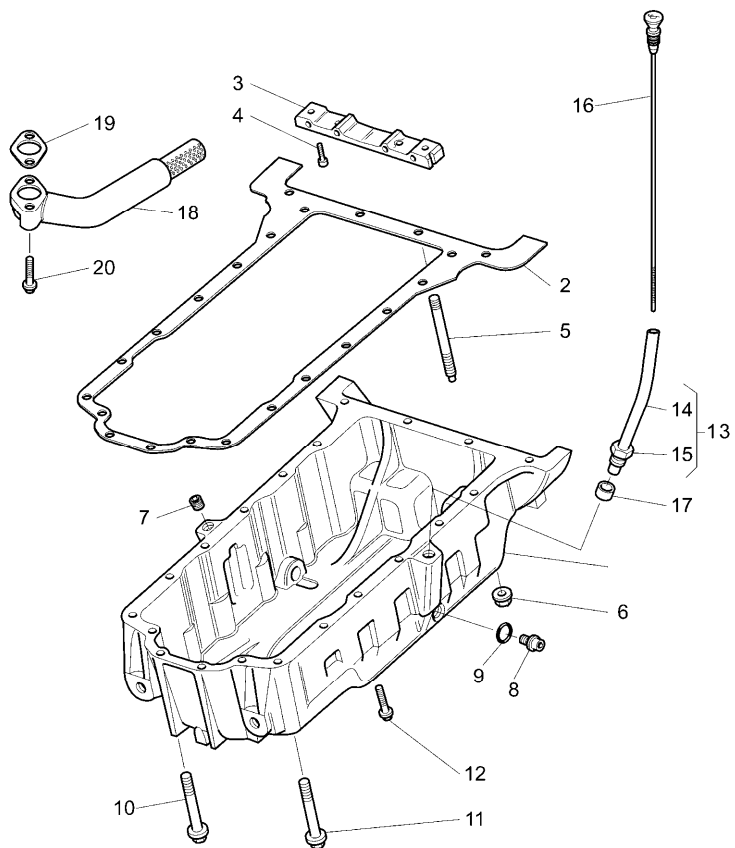
A-05
09



A0509

Lubricating oil sump

- Replacement
- (X) Qty per tractors sold (aa.bbb.ccc.ddd) (aa) for 1,(bbb) 2-10 (ccc) 11-25 (ddd) 26-50
- T-A Replacement



Engine

F Top Restyling (2010-) - RP55 - F90/GE/XL

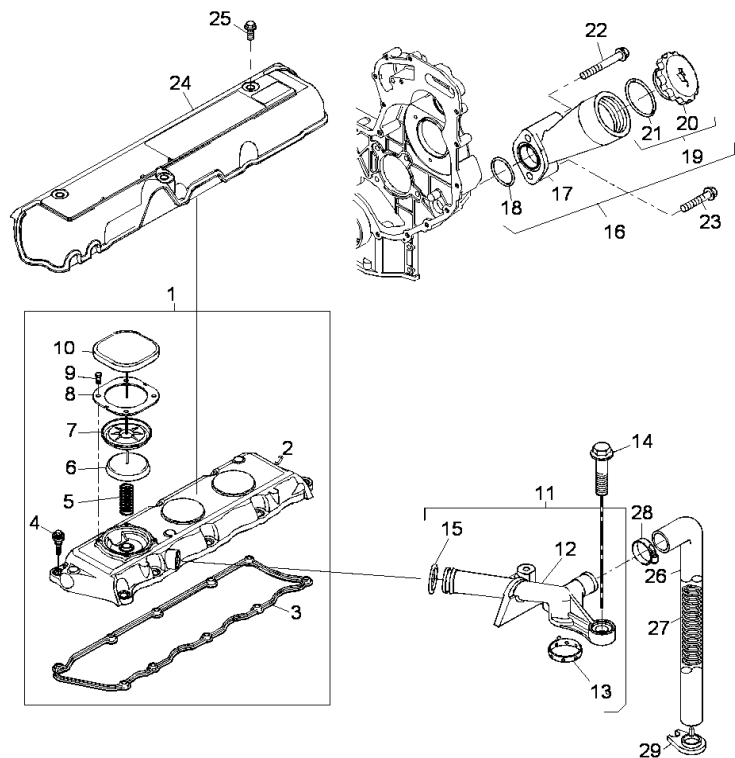
RP55\000015213.png

A-05
10



A0510

Lubricating oil filler and breather



		Inglese	
1	4142X322	● T417513(1)	1 Guard
2		! 1	1 Cover
3	3681A055	➡ Ref.n.1	1 Gasket
		(X) 0.1.3.	
		T-A 1:0	
4		➡ Ref.n.1	10 Screw
		! 1	
5	3174A017	! 1	1 Spring
		T-A 0:50	
6	3788A002	! 1	1 Cap
		T-A 0:25	
7	3789A001	! 1	1 Diaphragm
		T-A 0:25	
8	3615A009	! 1	1 Plate
		T-A 0:25	
9	2151A001	! 1	4 Screw
10	3788A003	! 1	1 Cap
		T-A 0:25	
11	4134K022		1 Pipe
12		! 11	1 Pipe
		➡ Ref.n.11	
13	2415H701	! 11	1 Ring
14	2314F005		2 Screw
15	2415A068	! 11	1 Ring
		T-A 0:50	

Engine

F Top Restyling (2010-) - RP55 - F90/GE/XL

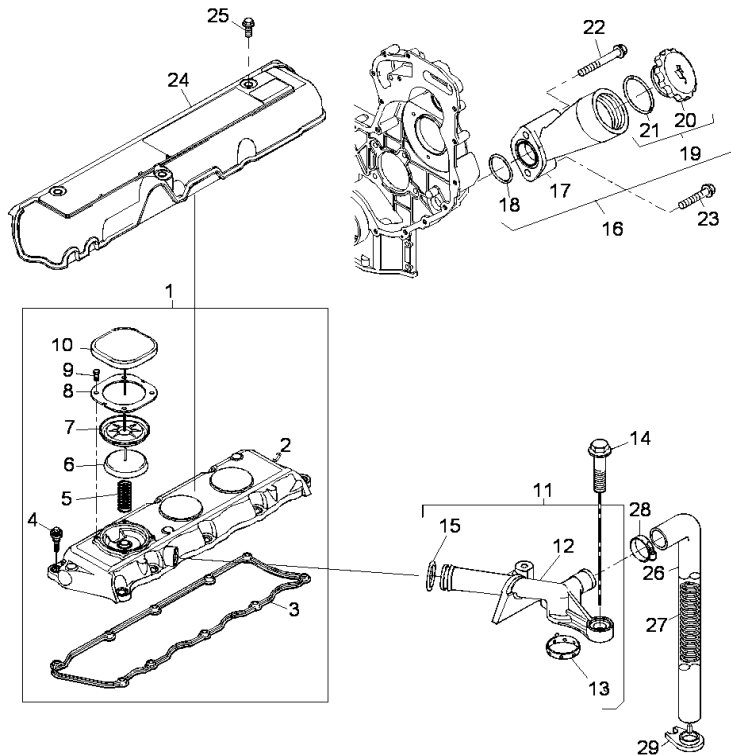
RP55\000015213.png

A-05
10



A0510

Lubricating oil filler and breather



Inglese

16	4134C019	●	N.L.S.(1)	1	Filler
17		▶	Ref.n.16	1	Body
		!	16		
18	2415B121	!	16	1	O ring
19	4142X098	!	16	1	Plug
		(X)	1.3.5.		
		T-A	0:25		
20		▶	Ref.n.19	1	Plug
		!	19		
21	2415633	!	19	1	O ring
		T-A	0:25		
22	2314K161			1	Screw
23	2314H008			1	Screw
24	3788N003	T-A	0:50	1	Cover
25	2314F003			3	Screw
26	33872632			1	Pipe
27	3175P003			1	Spring
28	2481877			1	Clamp
29	36241123			1	Support
!	This is a component of an assembly				
▶	Not serviced, order				
●	Replacement				
(X)	Qty per tractors sold (aa.bbb.ccc.ddd) (aa) for 1,(bbb) 2-10 (ccc) 11-25 (ddd) 26-50				
T-A	Replacement				

Engine

F Top Restyling (2010-) - RP55 - F90/GE/XL

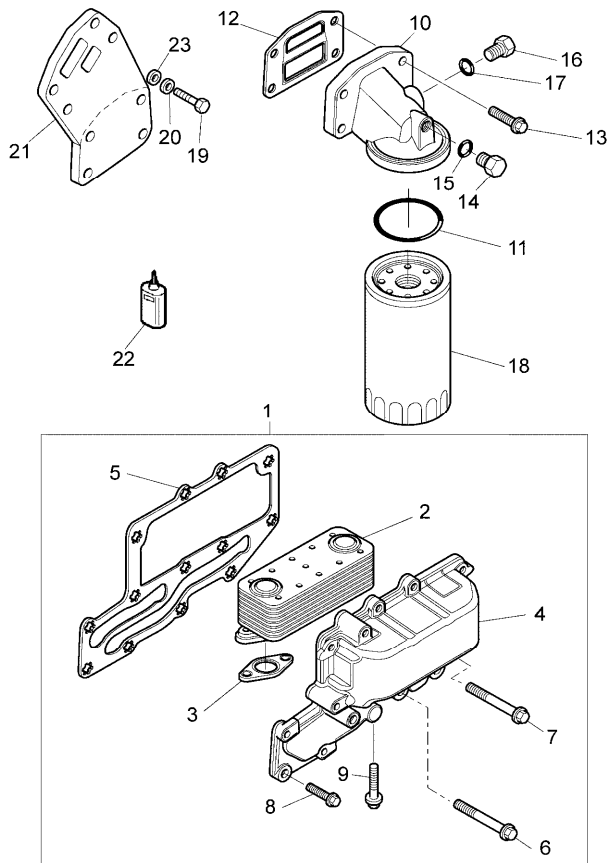
RP55\000015215.png

A-05
11



A0511

Heat exchanger and lubricating oil filter



		Inglese	
1	4134W021	● 4134W025(1)	1 Radiator
2	2486A217	! 1	1 Exchanger
3	3685A025	! 1	2 Ring
4		T-A 1:0	
4		! 1	1 Exchanger
5	3685A033	! 1	1 Gasket
6	2314K161	! 1	3 Screw
7	2314H004	! 1	8 Screw
8	2311D060	! 1	2 Screw
9	2314H006	! 1	4 Screw
10	3773A061		1 Head
11	3672135M1		2 Gasket
12	3688A039	T-A 0:50	1 Gasket
13	2314H034		4 Screw
14	3278A007		1 Plug
15	2415H009	T-A 0:25	1 O ring
16	3278A004		1 Plug
17	2415H002	T-A 0:25	1 Ring
18	3652517M91	● 2654403(1)	1 Filter
19	1440349X1	M8x30	4 Screw
19	339011X1	M8x45	4 Screw
20	390972X1	● Substitutions error	4 Washer
21	3670728M1		1 Support
22	3663814M1	● 1427801M2(999)	999 Loctite



Suggest:

For more complete manuals. Please go to the home page.

<https://www.ebooklibonline.com>

If the above button click is invalid. Please download this document first, and then click the above link to download the complete manual.

Thank you so much for reading

Engine

F Top Restyling (2010-) - RP55 - F90/GE/XL

RP55\000015215.png

A-05
11



A0511

Heat exchanger and lubricating oil filter

Inglese

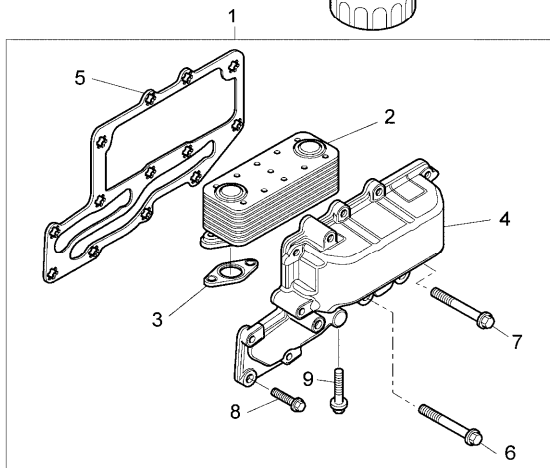
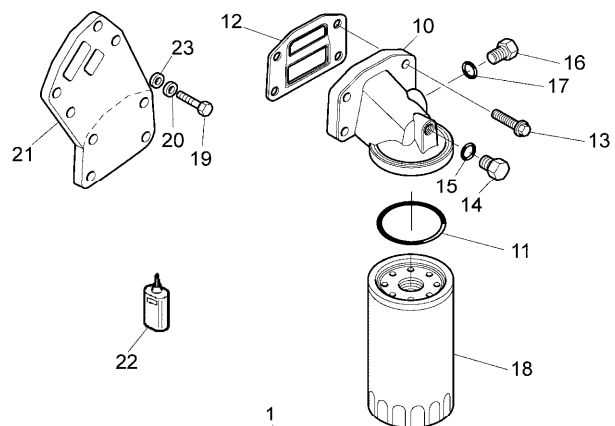
23 339374X1 ● Substitutions error 4 Washer

! This is a component of an assembly

▣ Not serviced, order

● Replacement

T-A Replacement



Engine

F Top Restyling (2010-) - RP55 - F90/GE/XL

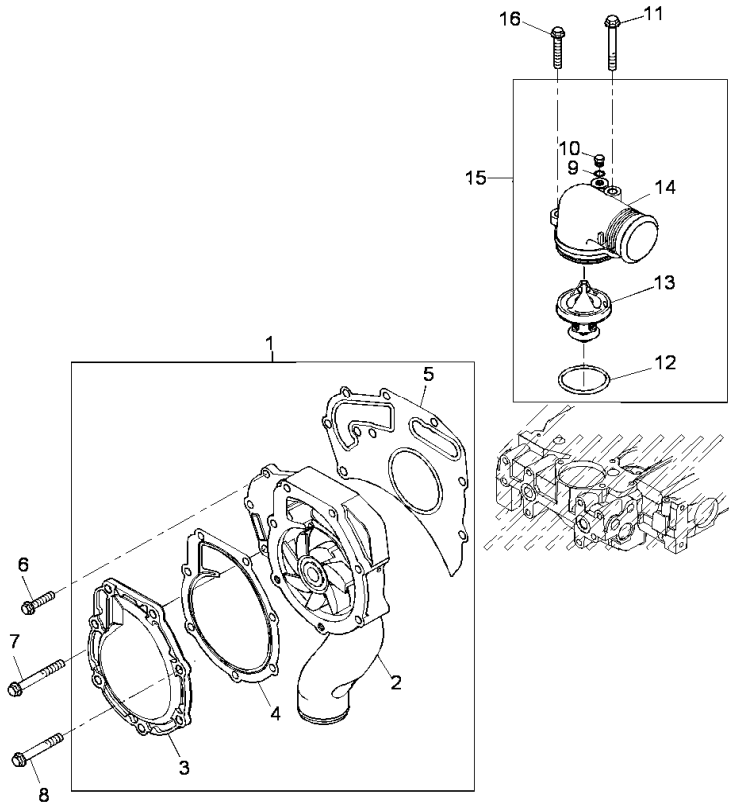
RP55\000015216.png

A-05
12



A0512

Water pump, thermostat and heat exchanger



		Inglese	
1	U5MW0201	● U5MW0208(1)	1 Kit
2		! 1	1 Pump
		➡ Ref.n.1	
3		! 1	1 Cover
		➡ Ref.n.1	
4	24880234	! 1	1 Guard
5	3682A011	! 1	1 Gasket
6	2314H005		2 Screw
7	2314K164		2 Screw
8	2314H012		5 Screw
9	29990016	! 15	1 O ring
10	29990015	! 15	1 Plug
11	2314H012		1 Screw
12	2415H219	! 15	1 Ring
13		➡ Ref.n.15	1 Thermostat
		! 1	
14		➡ Ref.n.15	1 Connection
		! 15	
15	4133L508		1 Connection
16	2314H004		1 Screw
!	This is a component of an assembly		
➡	Not serviced, order		
●	Replacement		

<https://www.ebooklibonline.com>

Hello dear friend!

Thank you very much for reading.

Enter the link into your browser.

The full manual is available for immediate download.

<https://www.ebooklibonline.com>