

Engine - 3-cylinders

F Top Restyling (2010-) - RP55 - F85/GE

RP55\00005170.png

A-05
01



A0501

Engine assembly

Inglese

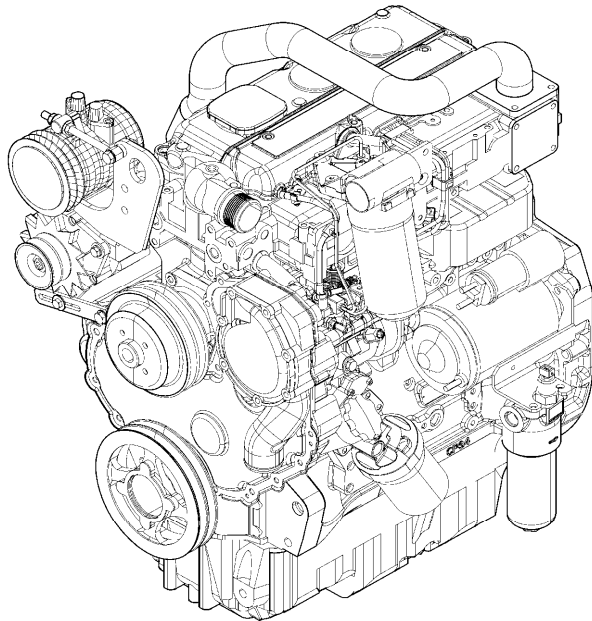
1 4219712M91 "perkins - xm7532 1 Engine

B

58 kw

B With 3-cylinders engine

1



Engine - 3-cylinders

F Top Restyling (2010-) - RP55 - F85/GE

RP55\000015152.png

A-05
011

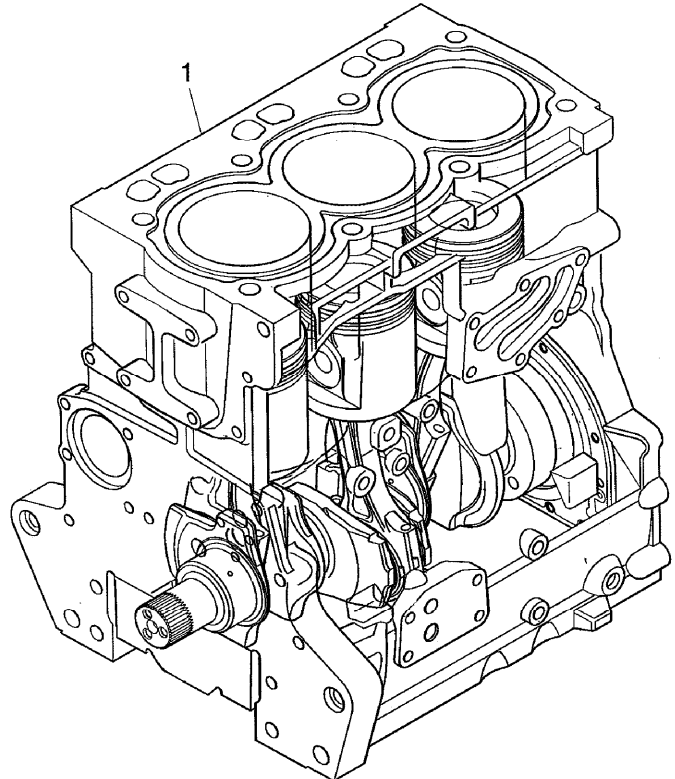


A05011

Short engine

Inglese

- A
 - 1 XM40012
 - A With 3-cylinders engine
- 1 Cylinder block



Engine - 3-cylinders

F Top Restyling (2010-) - RP55 - F85/GE

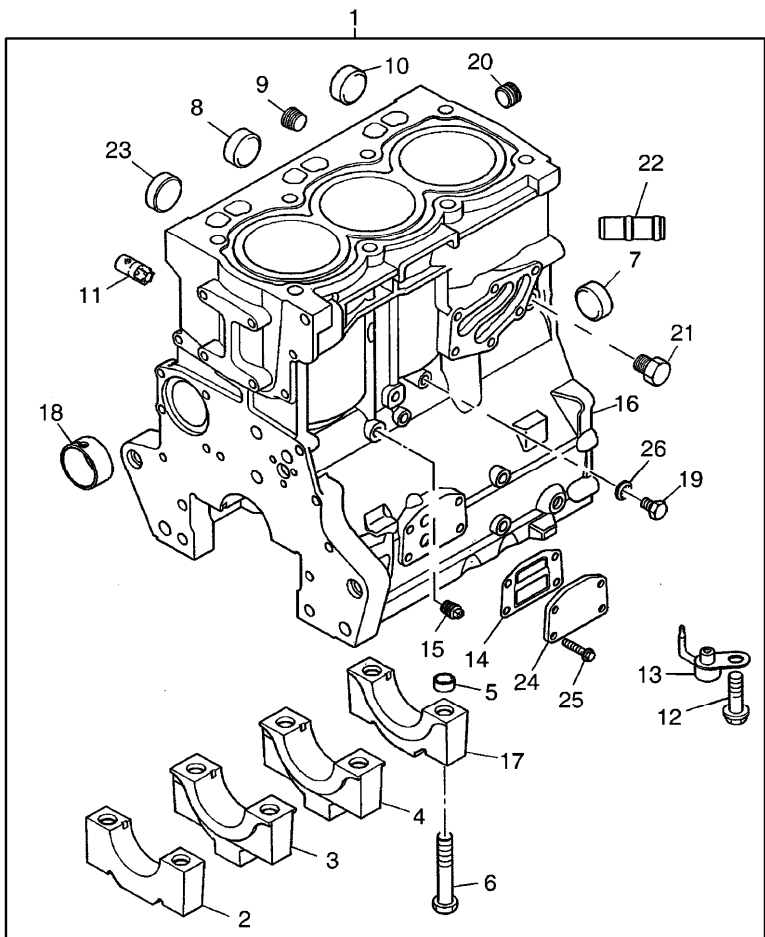
RP55\000015153.png

**A-05
02**



A0502

Cylinder block



		Inglese	
1	4181V016	T-A 27:0	1 Cylinder block
2		! 1	1 Bearing
		➡ Ref.n.1	
3		! 1	1 Bearing
		➡ Ref.n.1	
4		! 1	1 Bearing
		➡ Ref.n.1	
5	33142111	! 1	8 Manicott
6	32166329	! 1	8 Screw
7	3241A012	! 1	1 Plug
8	3241A011	! 1	2 Plug
9	0650588	! 1	1 Plug
		T-A 0:25	
10	0650710	! 1	1 Plug
		T-A 0:25	
11	3212V006	! 1	1 Plug
12	2314F001	! 1	3 Screw
13	2113A003	! 1	3 Atomiser
14	3688A039	! 1	2 Gasket
15	0650594	! 1	1 Plug
16		! 1	1 Cylinder
		➡ Ref. n. 1	
17		! 1	1 Bearing
		➡ Ref. n. 1	

<https://www.ebooklibonline.com>

Hello dear friend!

Thank you very much for reading.

Enter the link into your browser.

The full manual is available for immediate download.

<https://www.ebooklibonline.com>

Engine - 3-cylinders

F Top Restyling (2010-) - RP55 - F85/GE

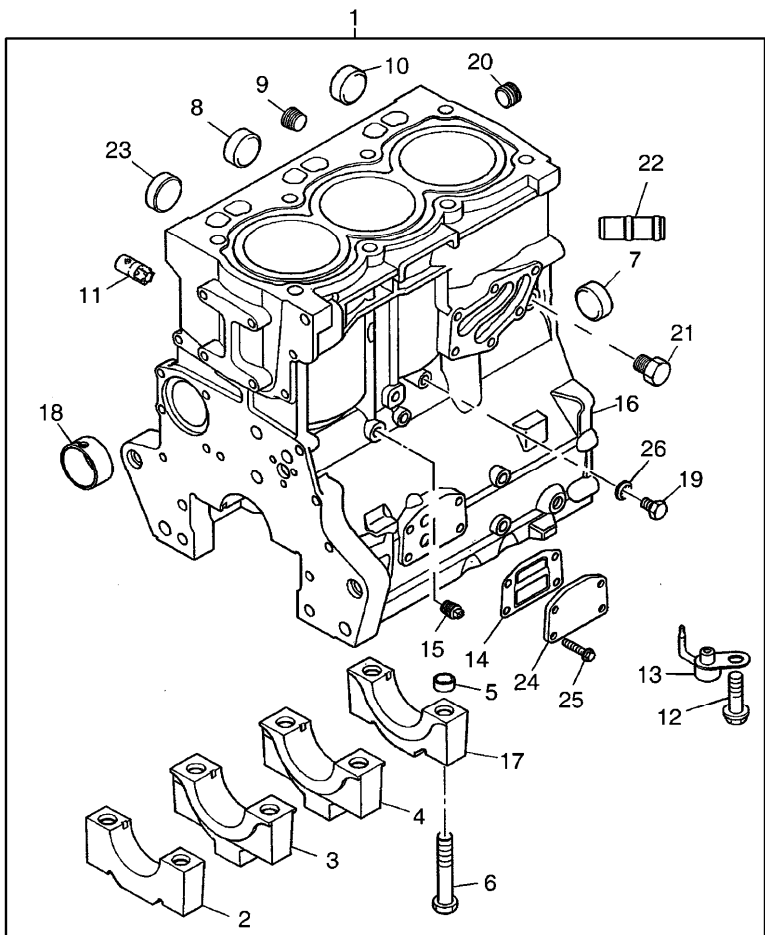
RP55\000015153.png

A-05
02



A0502

Cylinder block



		Inglese		
18	3112D071	!	1	1 Bush
		●	3112D075(1)	
19	2314C049	!	1	1 Screw
20	3212P008	!	1	1 Plug
21	32141316	!	1	1 Plug
22	3313A022	!	1	1 Pipe
23	2485A108	!	1	1 Plug
24	3623A009	!	1	2 Plate
25	2314H033	!	1	8 Screw
26	2415D053	!	1	1 Washer

- ! This is a component of an assembly
- ▣ Not serviced, order
- Replacement
- T-A Replacement

Engine - 3-cylinders

F Top Restyling (2010-) - RP55 - F85/GE

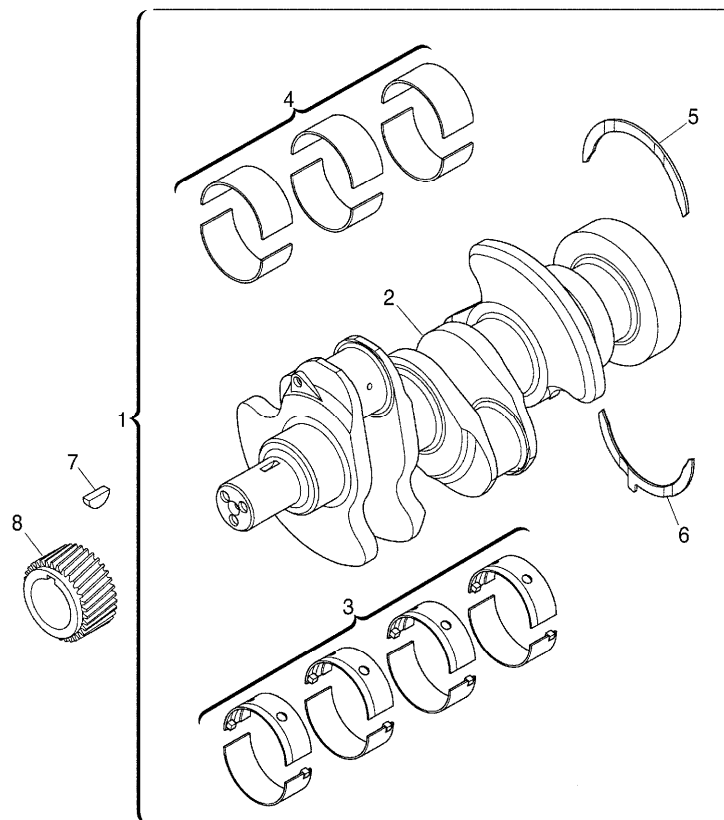
RP55\000020599.png

**A-05
04**



A0504

Camshaft



Inglese

1	4181V017	T-A	15:0	1	Shaft
2		!	1	1	Shaft
		➡	Ref.n.1		
3	U5MB0019	!	1	1	Kit
		●	U5MB0037(1)		
		T-A	15:0		
3	U5MB0019A	!	1	1	Kit
		⚡	-0,25mm		
3	U5MB0019B	!	1	1	Kit
		⚡	-0,50mm		
		●	U5MB0037B(1)		
3	U5MB0019C	!	1	1	Kit
		⚡	-0,75mm		
4	U5ME0027	!	1	1	Kit
		●	U5ME0033(1)		
5	31137312	⚡	0.007"	2	Ring
		!	1		
		T-A	15:0		
5	31137551	!	1	2	Washer
		T-A	15:0		
6	31137322	!	1	2	Ring
		⚡	0.007"		
		T-A	15:0		
6	31137561	!	1	2	Washer
		T-A	15:0		
7	3117C221	T-A	10:0	1	Gear

Engine - 3-cylinders

F Top Restyling (2010-) - RP55 - F85/GE

RP55\000020599.png

A-05
04



A0504

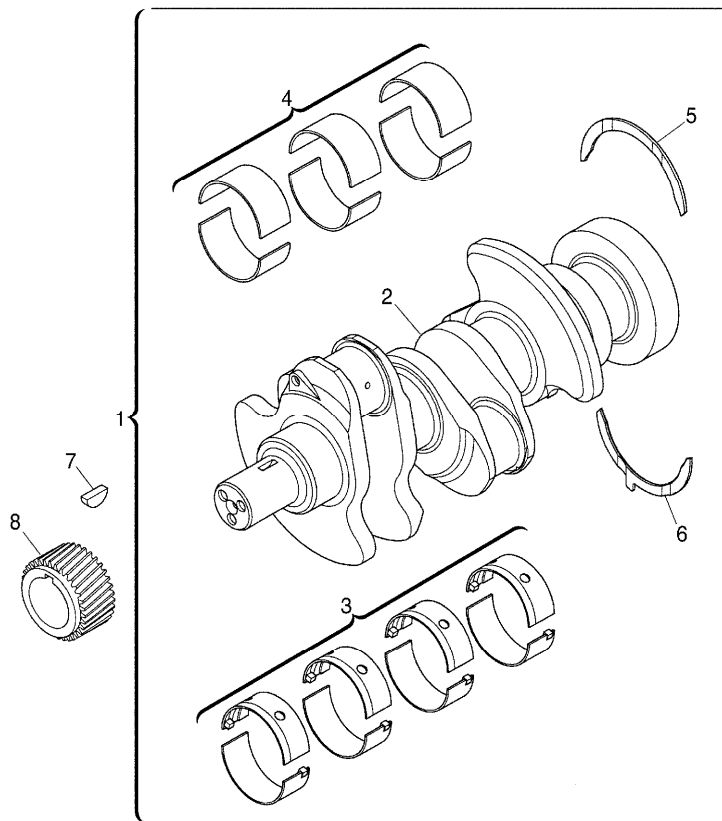
Camshaft

Inglese

8 0500012 T-A 10:0

1 Key

- ! This is a component of an assembly
- Not serviced, order
- Shim
- Replacement
- T-A Replacement



Engine - 3-cylinders

F Top Restyling (2010-) - RP55 - F85/GE

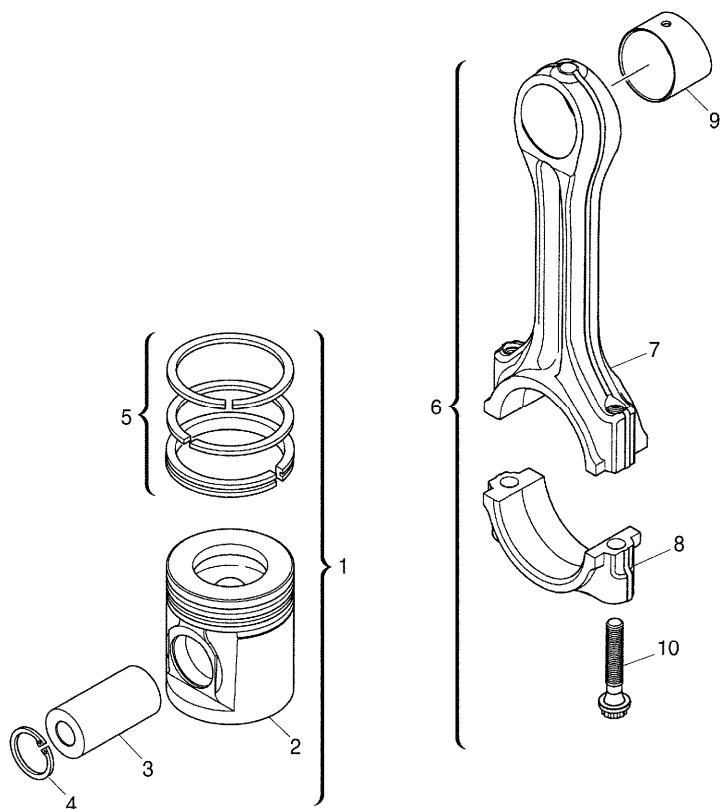
RP55\000020600.png

A-05
05



A0505

Pistons and connecting rods



			Inglese
1	U5PR0064		3 Kit
2		! 1	1 Piston
		➡ Ref.n.1	
3		! 1	1 Bush
		➡ Ref.n.1	
4	2721332	! 1	2 Ring
5	UPRK0005	! 1	1 Kit
6	4115C311	B	3 Kit
		T-A 14:0	
6	4115C312	C	3 Kit
		T-A 14:0	
6	4115C313	D	3 Kit
		T-A 14:0	
6	4115C314	E	3 Kit
		T-A 14:0	
6	4115C315	F	3 Kit
		T-A 14:0	
6	4115C316	G	3 Kit
		T-A 14:0	
7		! 6	1 Conrod
		➡ Ref.n.6	
8		! 6	1 Cap
		➡ Ref.n.6	
9	3112A005	! 6	1 Bush
		T-A 14:0	

Engine - 3-cylinders

F Top Restyling (2010-) - RP55 - F85/GE

RP55\000020600.png

A-05
05



A0505

Pistons and connecting rods

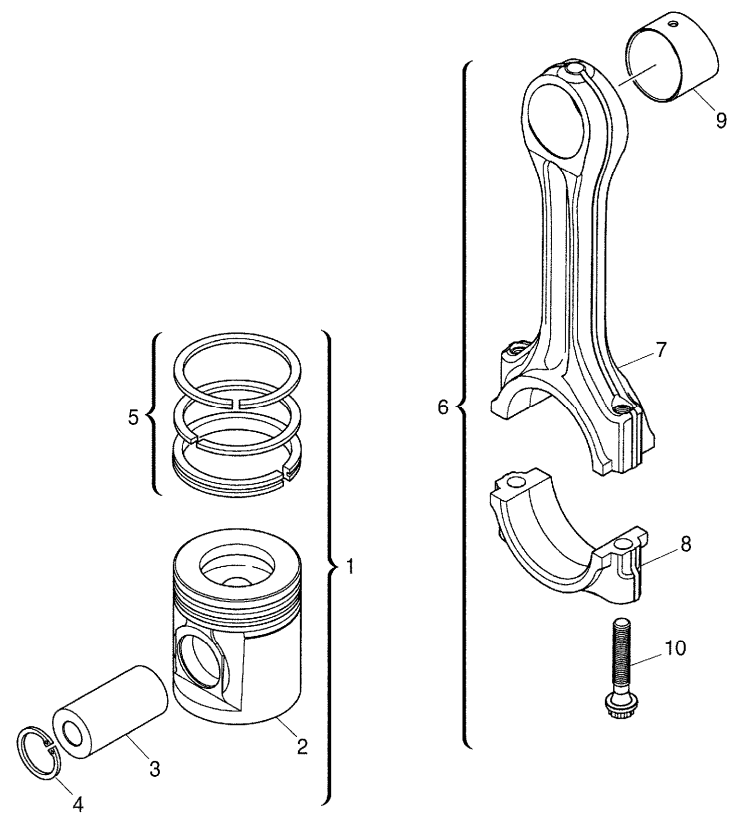
Inglese

10 3212V003 ! 6

2 Screw

A

- ! This is a component of an assembly
- Not serviced, order
- T-A Replacement
- A Do not reuse once it has been removed
- B Red
- C Orange
- D White
- E Green
- F Purple
- G Blue



Engine - 3-cylinders

F Top Restyling (2010-) - RP55 - F85/GE

RP55\000020598.png

A-05
06



A0506

End cover

1 2418F704 T-A 9:0

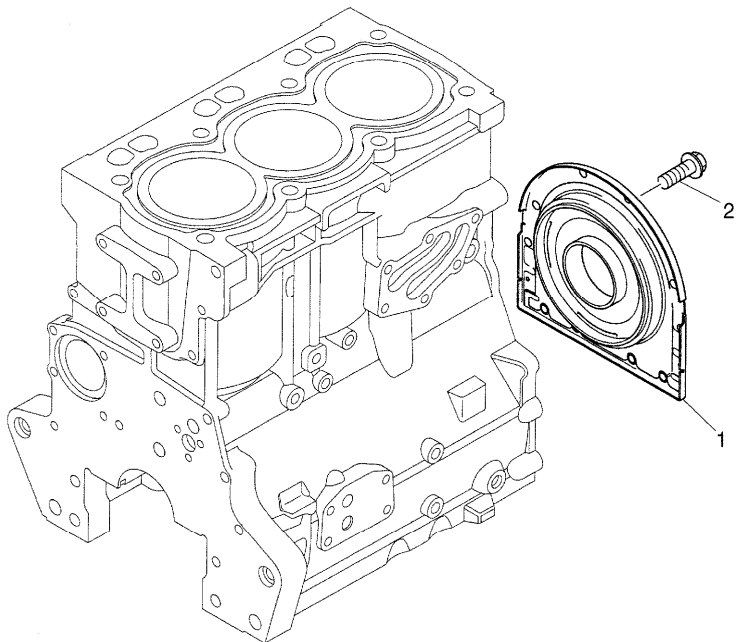
2 3211C002

T-A Replacement

Inglese

1 Housing

10 Screw



Engine - 3-cylinders

F Top Restyling (2010-) - RP55 - F85/GE

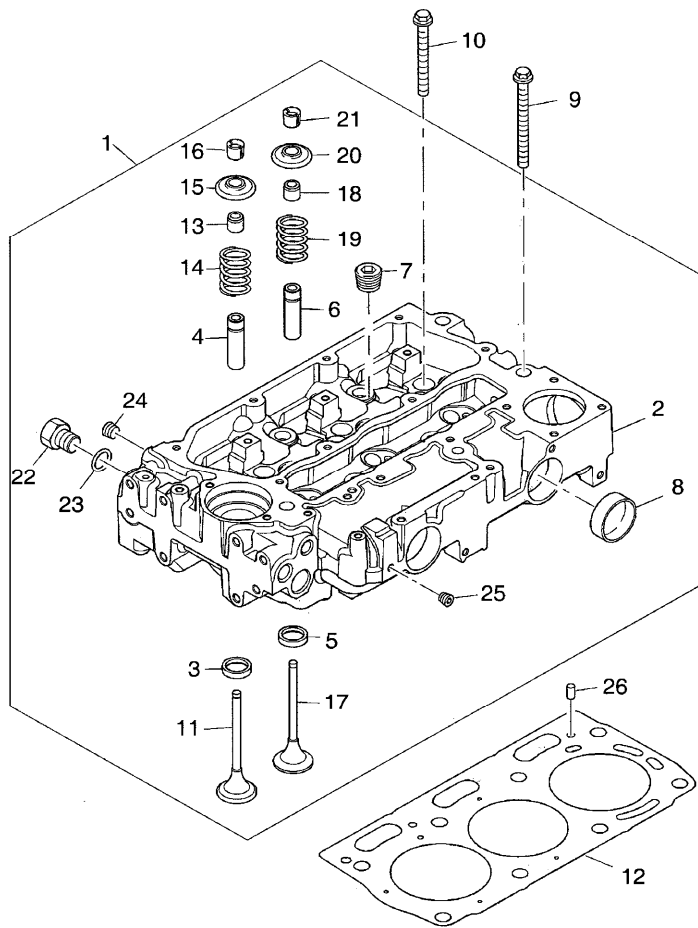
RP55\000015154.png

**A-05
07**



A0507

Cylinder head



		Inglese	
1	ZZ80282		1 Cylinder head
2		! 1	1 Cylinder head
		➡ Ref.n.1	
3	3314A241	! 1	3 Insert
4	3313A012	! 1	3 Insert
5	3314A231	! 1	3 Insert
6	3313A012	! 1	3 Insert
7	0650588	! 1	3 Plug
8	32416117	! 1	3 Plug
9	3218A012		3 Screw
10	3218A011		5 Screw
11	3142H111	! 1	3 Valve
12	3681E049		1 Gasket
13	2418M519	! 1	3 Ring
	A		
14	3174A031	! 1	3 Spring
	● T417479(3)		
15	3342A021	! 1	3 Coperch.
16	2714A002	! 1	6 Collar
17	3142A171	! 1	3 Valve
18	2418M517	! 1	3 Ring
	B		
19	3174A031	! 1	3 Spring
	● T417479(3)		
20	3342A021	! 1	3 Coperch.

Engine - 3-cylinders

F Top Restyling (2010-) - RP55 - F85/GE

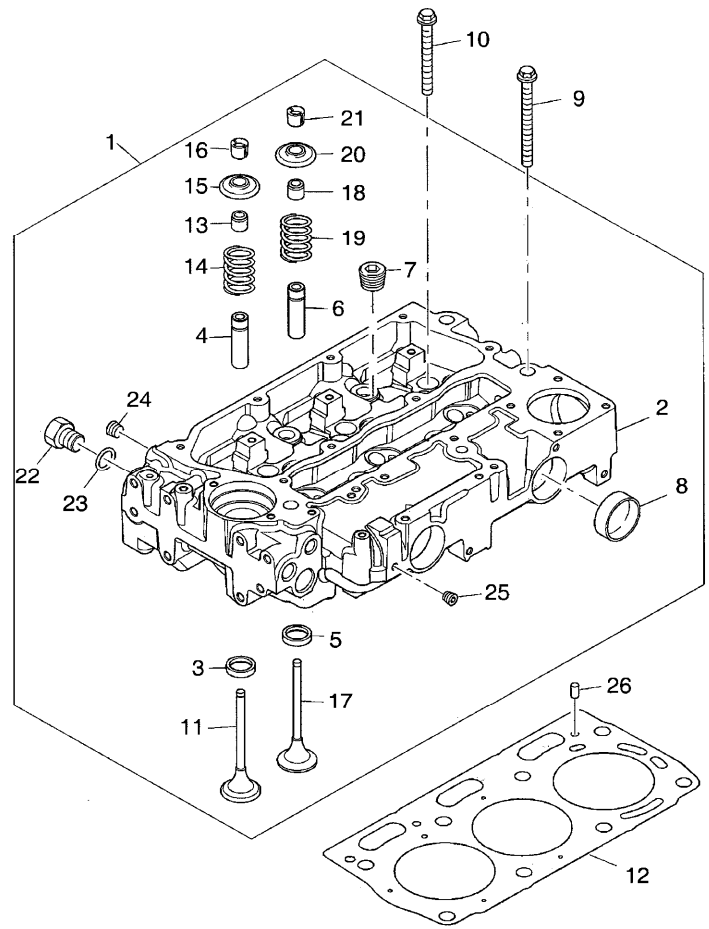
RP55\000015154.png

**A-05
07**



A0507

Cylinder head



		Inglese		
21	2714A002	!	1	6 Collar
22	3278A006	!	1	1 Plug
23	2415H003	!	1	1 Ring
24	2431154	!	1	1 Plug
25	2431154	!	1	1 Plug
26	3244A009		2	Dowel
		!	This is a component of an assembly	
			Not serviced, order	
			Replacement	
		A	Green	
		B	Brown	

Engine - 3-cylinders

F Top Restyling (2010-) - RP55 - F85/GE

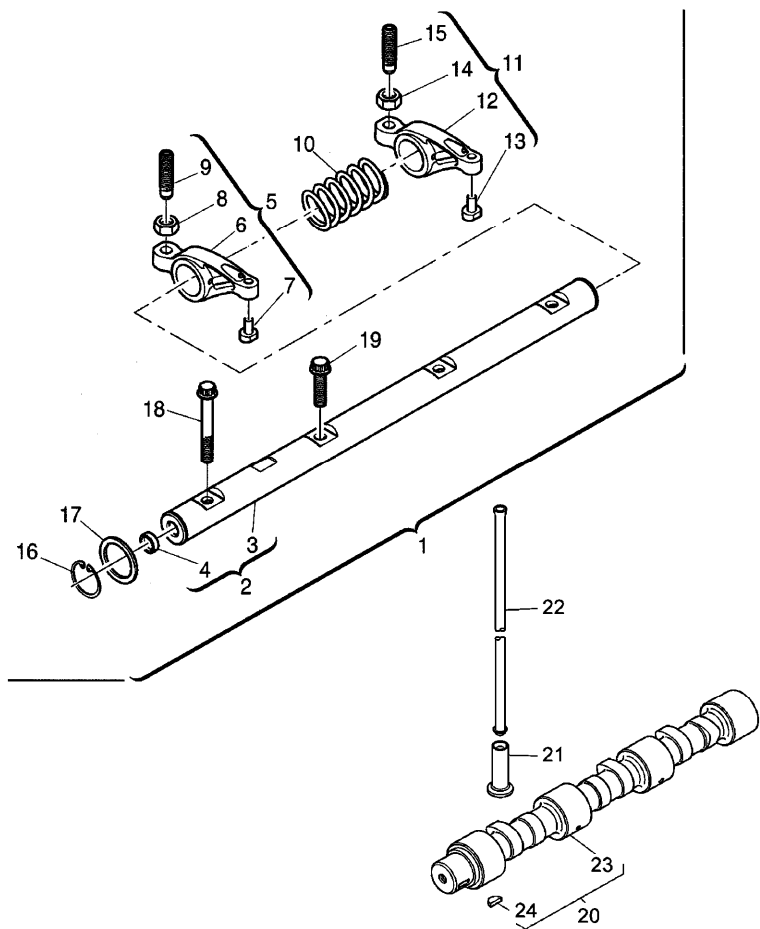
RP55\000015155.png

A-05
08



A0508

Rocker shaft



			Inglese
1	4115R614		1 Rocker
2	4115R702	! 1	1 Shaft
		T-A 4:0	
3		! 2	1 Rockerarm
		➡ Ref.n.2	
4	2485A104	! 2	2 Plug
5	4115R319	! 1	3 Lever
6		! 5	1 Rocker
		➡ Ref.n.5	
7		! 5	1 Pad
		➡ Ref.n.5	
8	3331A006	! 5	1 Nut
9	3211C004	! 5	1 Screw
10	3174A015	! 1	2 Spring
		T-A 4:0	
11	4115R318	! 1	3 Lever
12		! 11	1 Rocker
		➡ Ref.n.11	
13		! 11	1 Pad
		➡ Ref.n.11	
14	3331A006	! 11	1 Nut
15	3211C004	! 11	1 Screw
16	2722A022	! 1	2 Ring
17	2134A502	! 1	2 Washer
18	2316A901	! 1	1 Screw

Engine - 3-cylinders

F Top Restyling (2010-) - RP55 - F85/GE

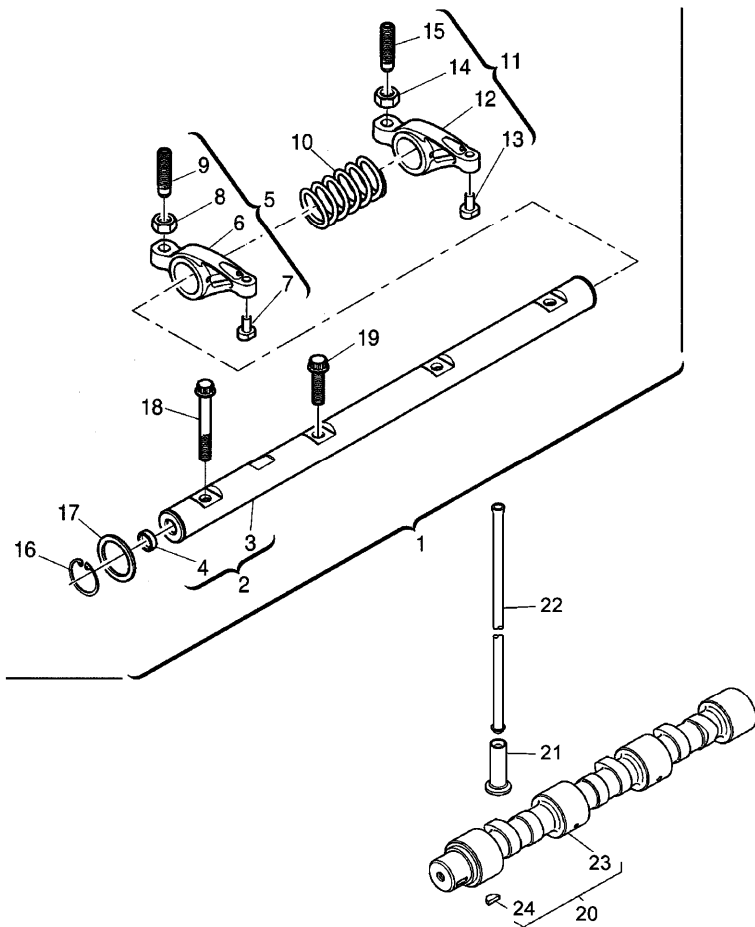
RP55\000015155.png

A-05
08



A0508

Rocker shaft



Inglese

19	2316A902	!	1	2	Screw
20	4112K049			1	Shaft
21	3142U061			6	Tappet
22	3142V011			6	Rod
23		!	20	1	Shaft
		➡	Ref. n.20		
24	0500012	!	20	1	Key

! This is a component of an assembly
➡ Not serviced, order
T-A Replacement

Engine - 3-cylinders

F Top Restyling (2010-) - RP55 - F85/GE

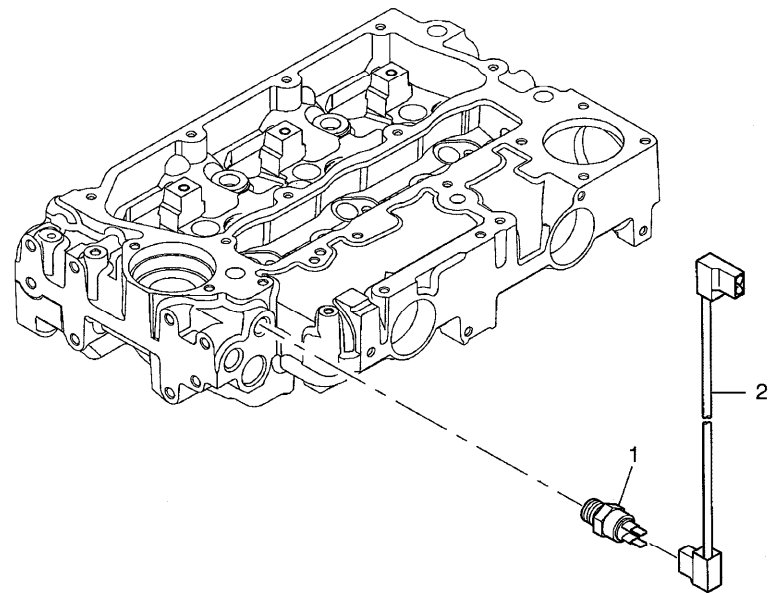
RP55\000015170.png

A-05
10



A0510

Sensor pickup



- 1 2848A123 A
 - 2 3161C017 T-A 0:50
- T-A Replacement
A Water temperature

Inglese

- 1 Sensor
- 1 Cable

Engine - 3-cylinders

F Top Restyling (2010-) - RP55 - F85/GE

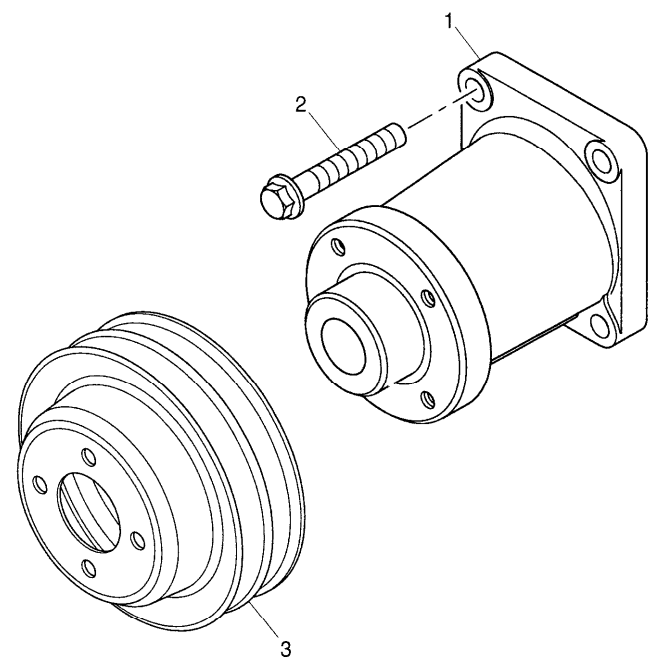
RP55\000020531.png

A-05
11



A0511

Fan-type pulley



- 1 4113K005 T-A 1:75
 - 2 2314J005
 - 3 3115C113
- T-A Replacement

Inglese

- 1 Housing
- 4 Screw
- 1 Pulley

Engine - 3-cylinders

F Top Restyling (2010-) - RP55 - F85/GE

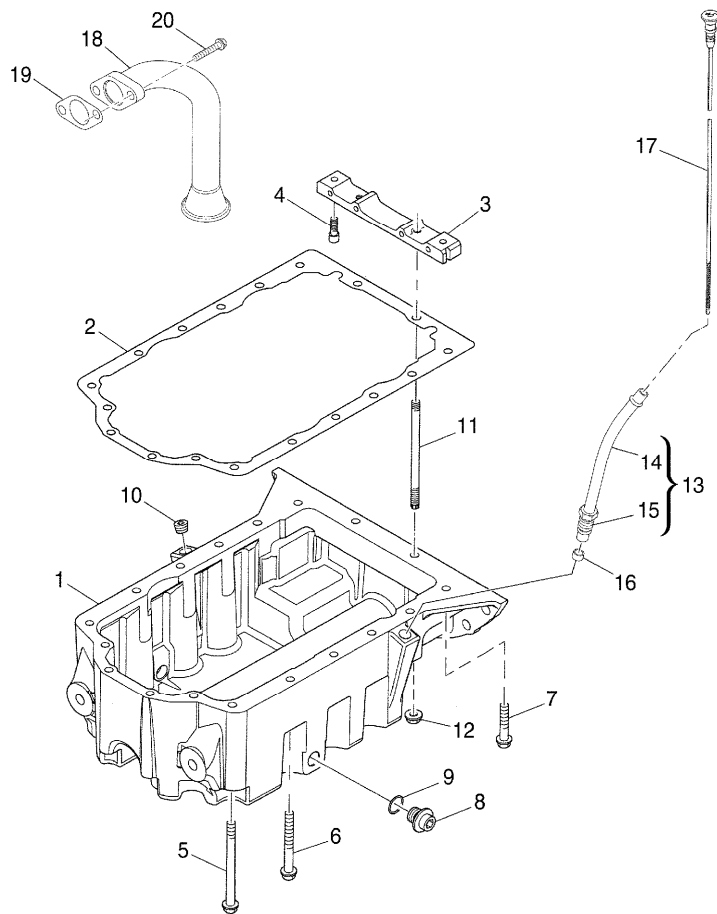
RP55\000020608.png

A-05
12



A0512

Lubricating oil sump



1	3717C142			
2	3681K038	(X)	1.5.8.1	
		T-A	1:50	
3	3627P041	T-A	1:50	
4	2311D039			
5	2314H022	●	2314H052(6)	
6	2314H015			
7	2314K159			
8	32186405	T-A	0:25	
9	2415715	T-A	0:25	
10	2431A016			
11	3211P022			
12	2318A603			
13	3577A159			
14		!	13	
		➡	Ref.n.13	
15	3353D005	!	13	
16	33812116			
17	3178C081			
18	3575A064	T-A	1:50	
19	36832137	T-A	1:50	
20	2314H004			

- ! This is a component of an assembly
- ➡ Not serviced, order
- Replacement

Inglese

1	Sump
1	Gasket
1	Crosspiece
2	Screw
6	Screw
8	Screw
2	Screw
2	Plug
2	Ring
1	Plug
2	Stud
2	Nut
1	Pipe
1	Pipe
1	Nut
1	Olive
1	Rod
1	Pipe
1	Gasket
2	Screw

Engine - 3-cylinders

F Top Restyling (2010-) - RP55 - F85/GE

RP55\000020608.png

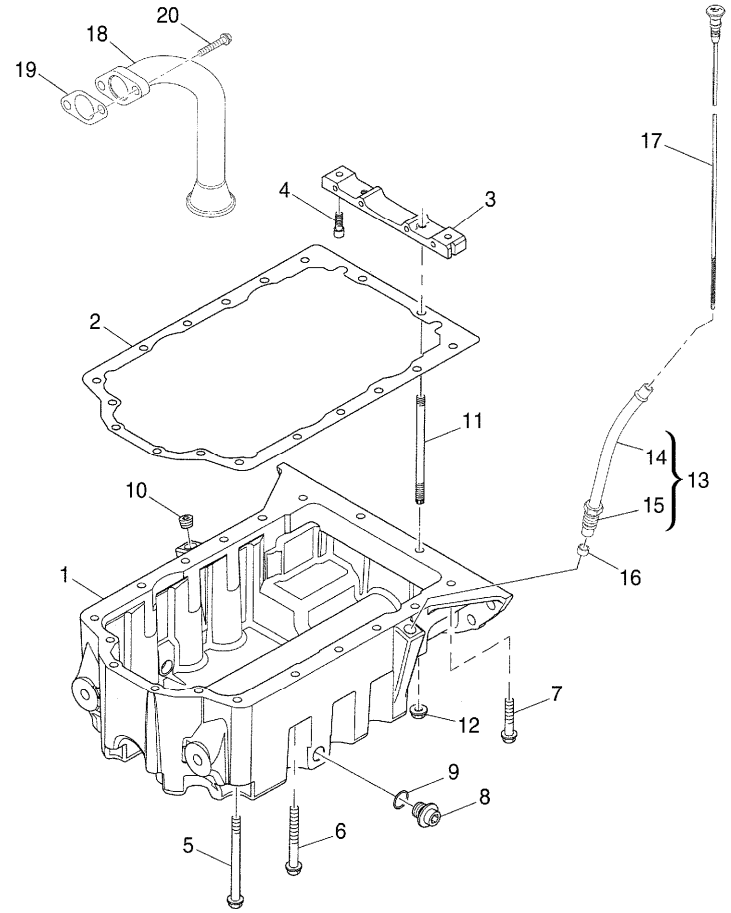
A-05
12



A0512

Lubricating oil sump

(X) Qty per tractors sold (aa.bbb.ccc.ddd) (aa) for 1,(bbb) 2-10 (ccc) 11-25 (ddd) 26-50
T-A Replacement



Engine - 3-cylinders

F Top Restyling (2010-) - RP55 - F85/GE

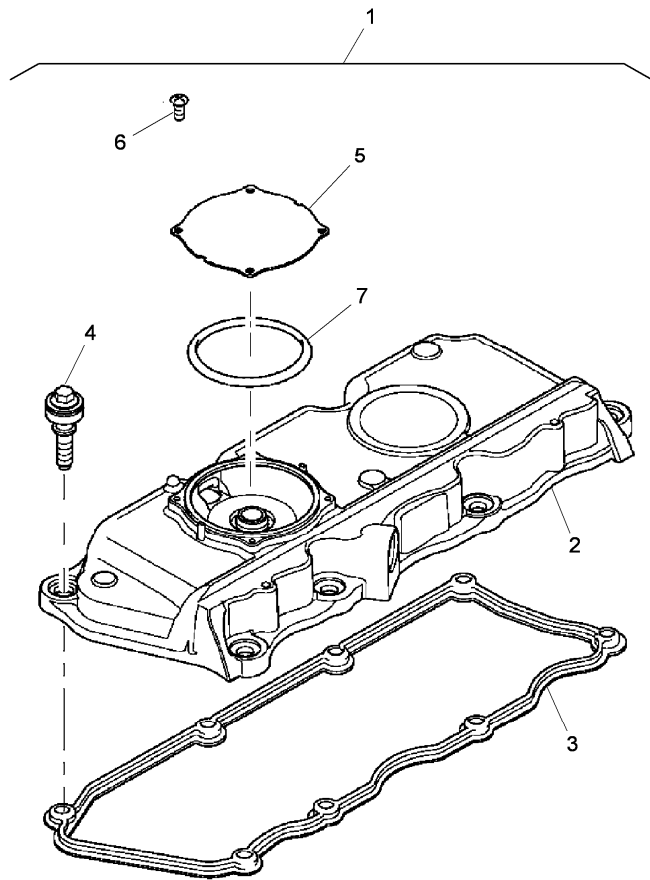
RP55\00008837.png

**A-05
13**



A0513

Cylinder head cover



		Inglese
1	4142X394	1 Coperch.
2	!	1 Cover
	➡ Ref.n.1	
3	3681A057	1 Gasket
	(X) 1.2.5.1	
	T-A 1:0	
4	2161A013	8 Screw
5	3615A034	1 Support
6	2152A034	4 Screw
7	3789A004	1 Gasket
!	This is a component of an assembly	
➡	Not serviced, order	
(X)	Qty per tractors sold (aa.bbb.ccc.ddd) (aa) for 1,(bbb) 2-10 (ccc) 11-25 (ddd) 26-50	
T-A	Replacement	

Engine - 3-cylinders

F Top Restyling (2010-) - RP55 - F85/GE

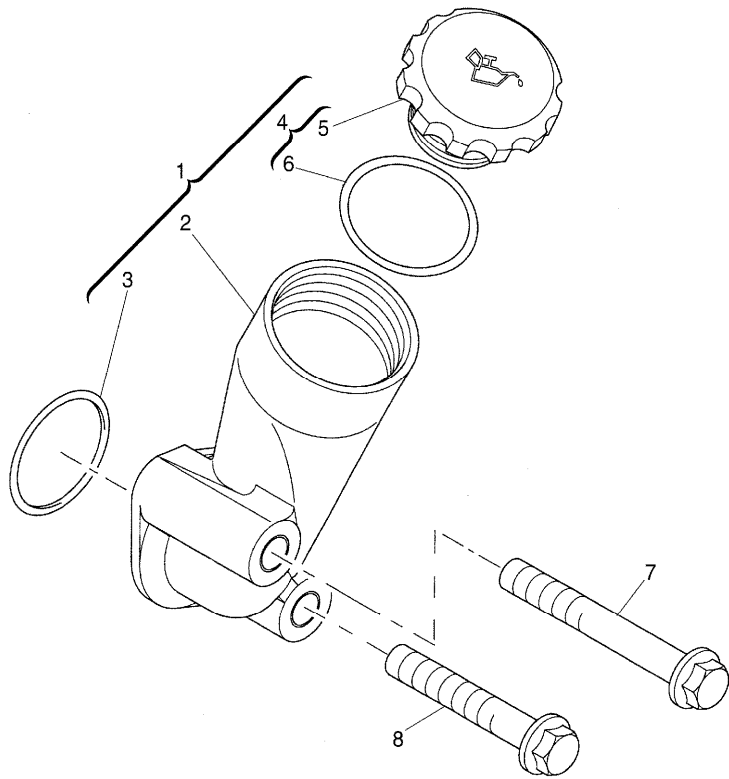
RP55\000020610.png

**A-05
14**



A0514

Filler



		Inglese
1	4134C073	1 Filler
2	!	1 Body
	➡ Ref.n.1	
3	2415H651	1 Ring
4	4142X098	1 Plug
	T-A 0:25	
5	!	1 Plug
	➡ Ref.n.4	
6	2415633	1 O ring
	T-A 0:25	
7	2314K161	1 Screw
8	2314H008	1 Screw
!	This is a component of an assembly	
➡	Not serviced, order	
T-A	Replacement	

Engine - 3-cylinders

F Top Restyling (2010-) - RP55 - F85/GE

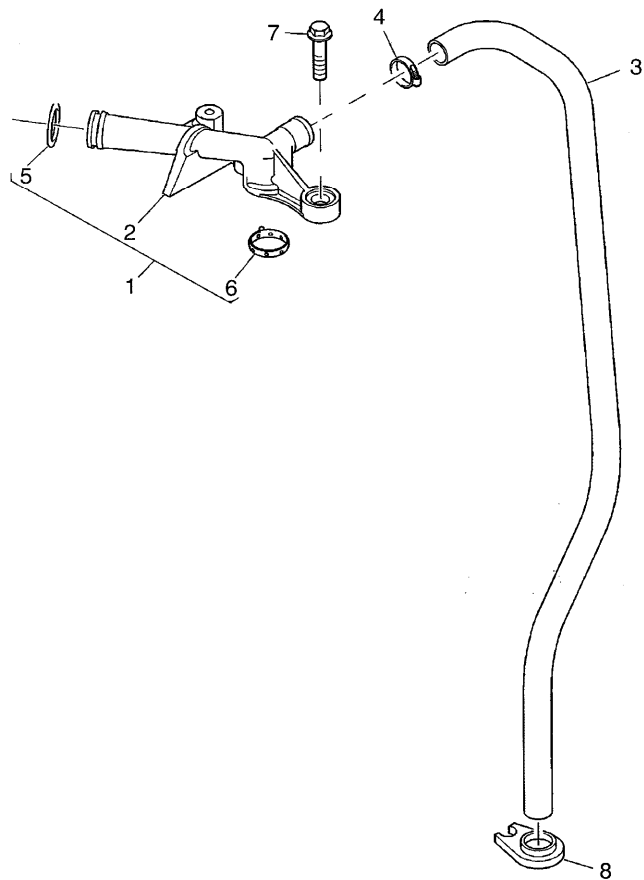
RP55\000015157.png

A-05
15



A0515

Breather



		Inglese
1	4134K022	1 Pipe
2	!	1 Pipe
	➡ Ref.n.1	
3	3482V094	1 Pipe
4	2481863	● 21825195(1) 1 Clamp
5	2415A068	! 1 1 Ring
	T-A 0:50	
6	2415H701	! 1 1 Ring
7	2314F005	➡ 01/02/08 2 Screw
	A	
	B	
8	36241123	1 Support
!	This is a component of an assembly	
➡	From serial or engine number	
➡	Not serviced, order	
●	Replacement	
T-A	Replacement	
A	For market "ue"	
B	For market "epa"	

Engine - 3-cylinders

F Top Restyling (2010-) - RP55 - F85/GE

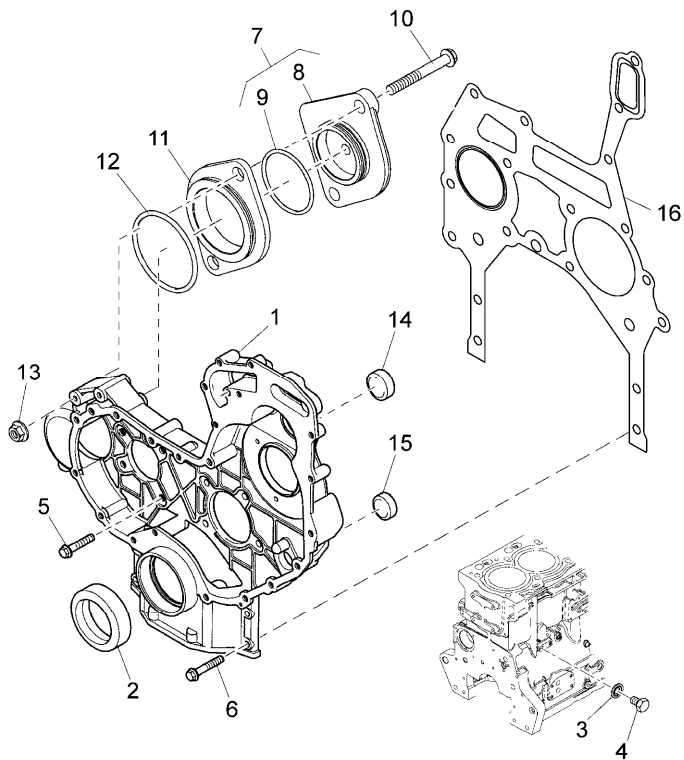
RP55\000015158.png

A-05
16



A0516

Gasket sets



		Inglese
1	3716C581	1 Housing
2	2418F437	1 Seal
3	2415D053	1 Washer
4	2314C049	1 Screw
5	2314H003	8 Screw
6	2314H034	4 Screw
7	4148K012	1 Plate
8	!	7
	➡	Ref.n.7
9	2415H515	! 7
10	2314J014	2 Screw
11	3617A021	T-A 4:75
12	2415H516	1 Disc
13	2318A604	1 O ring
14	2485A124	2 Nut
15	2485A124	1 Plug
16	3681P053	T-A 4:75
17	3681P053	T-A 4:75
18	2314C049	1 Gasket
19	2415D053	1 Gasket
!	This is a component of an assembly	1 Screw
➡	Not serviced, order	1 Washer
T-A	Replacement	

Engine - 3-cylinders

F Top Restyling (2010-) - RP55 - F85/GE

RP55\000020612.png

A-05
17



A0517

Cylinder head cover

Inglese

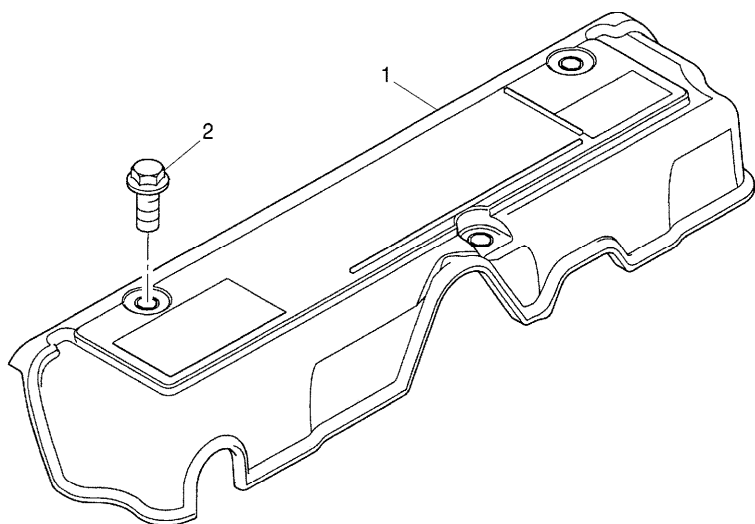
1 3788N004 T-A 0:50

2 2314F003

T-A Replacement

1 Guard

3 Screw



Engine - 3-cylinders

F Top Restyling (2010-) - RP55 - F85/GE

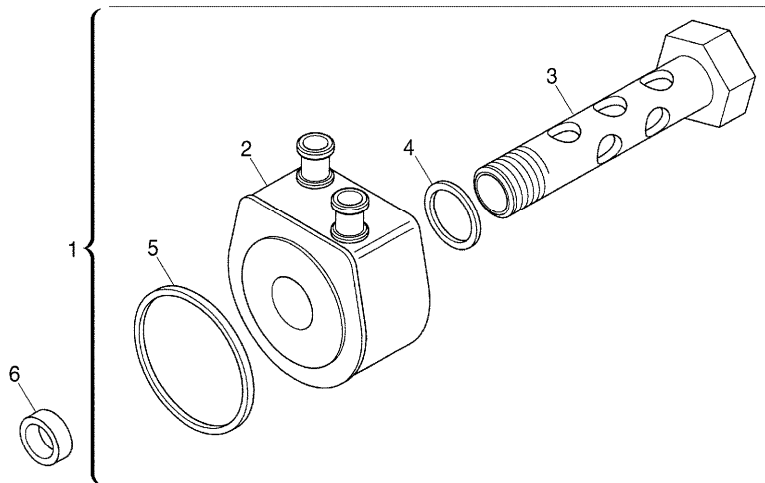
RP55\000020613.png

**A-05
18**



A0518

Oil radiator



		Inglese	
1	2486A221	● 2486A241(1) T-A 1:0	1 Cooler
2		! 1 ➡ Ref.n.1	1 Cooler
3	2486A224	! 1 T-A 1:0	1 Adaptor
4	2411A524	! 1 ● 2411A525(1)	1 Gasket
5	2486A223	! 1 (X) 1.2.5. T-A 1:0	1 Gasket
6	3311A042		1 Seal
!		This is a component of an assembly	
➡		Not serviced, order	
●		Replacement	
(X)		Qty per tractors sold (aa.bbb.ccc.ddd) (aa) for 1,(bbb) 2-10 (ccc) 11-25 (ddd) 26-50	
T-A		Replacement	

Engine - 3-cylinders

F Top Restyling (2010-) - RP55 - F85/GE

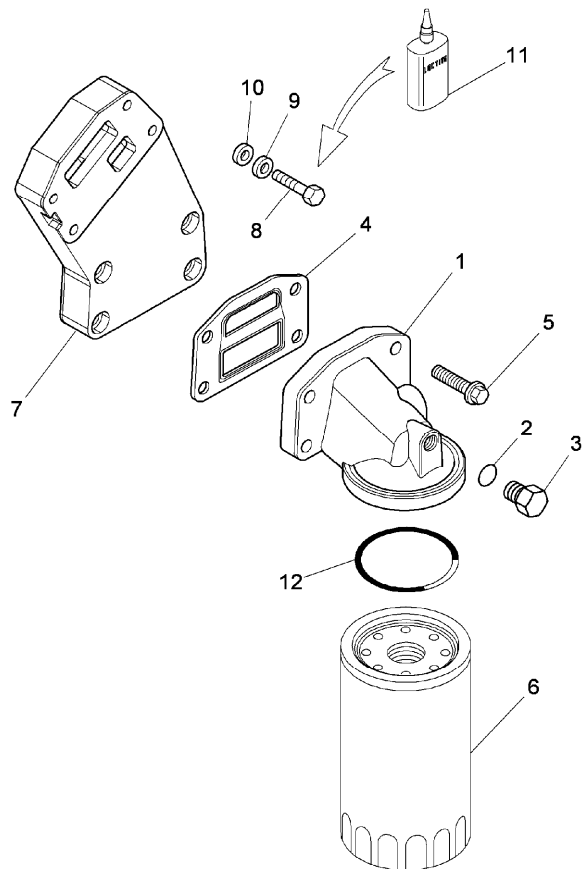
RP55\00040133.png

**A-05
19**



A0519

Lubricating oil filter



		Inglese
1	3773A061	1 Head
2	2415H009	1 O ring
3	3278A007	1 Plug
4	3688A039 (X) 2.5.8.1 T-A 0:50	1 Gasket
5	2314H034	4 Screw
6	⊕ A-05 20 1	1 Filter
7	3670728M1	1 Support
8	1440349X1 ◀▶ M8x30	4 Screw
8	339011X1 ◀▶ M8x45	4 Screw
9	390972X1 ● Substitutions error	4 Washer
10	1440313X1 ● Substitutions error	4 Lock washer
11	3663814M1 ● 1427801M2(999)	999 Loctite
12	3672135M1	2 Gasket
⊕	See page - reference number	
◀▶	Length	
●	Replacement	
(X)	Qty per tractors sold (aa.bbb.ccc.ddd) (aa) for 1,(bbb) 2-10 (ccc) 11-25 (ddd) 26-50	
T-A	Replacement	

Engine - 3-cylinders

F Top Restyling (2010-) - RP55 - F85/GE

RP55\000015160.png

A-05
20

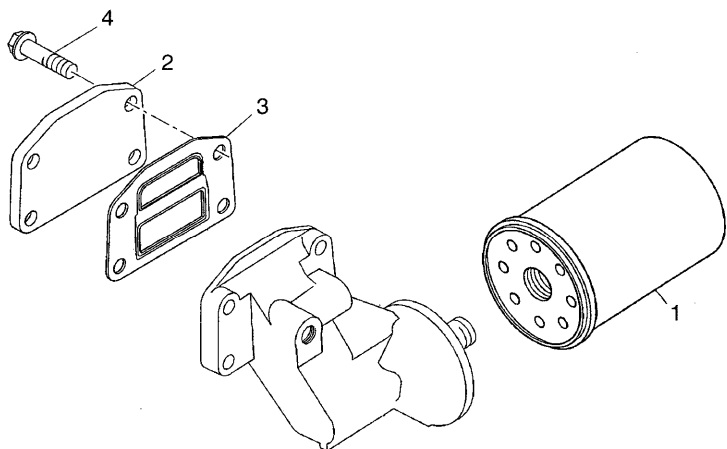


A0520

Closing plate

Inglese

1	2654403	(X)	1.3.5.1	1	Filter
			T-A 0:25		
2	3623A009	T-A	0:50	1	Plate
3	3688A039	T-A	0:50	1	Gasket
4	2314H033			4	Screw
(X)	Qty per tractors sold (aa.bbb.ccc.ddd) (aa) for 1,(bbb) 2-10 (ccc) 11-25 (ddd) 26-50				
T-A	Replacement				



Engine - 3-cylinders

F Top Restyling (2010-) - RP55 - F85/GE

RP55\000014134.png

**A-05
21**



A0521

Front end drive input - auxiliary drive

1 3115T051 T-A 1:50

2 3241N001 T-A 1:50

3 32186137

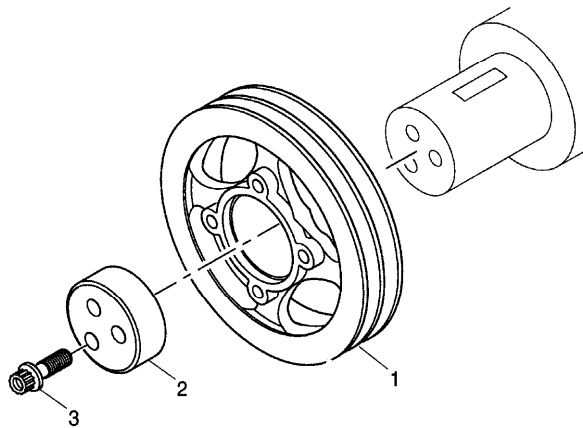
T-A Replacement

Inglese

1 Pulley

1 Block

3 Screw



Engine - 3-cylinders

F Top Restyling (2010-) - RP55 - F85/GE

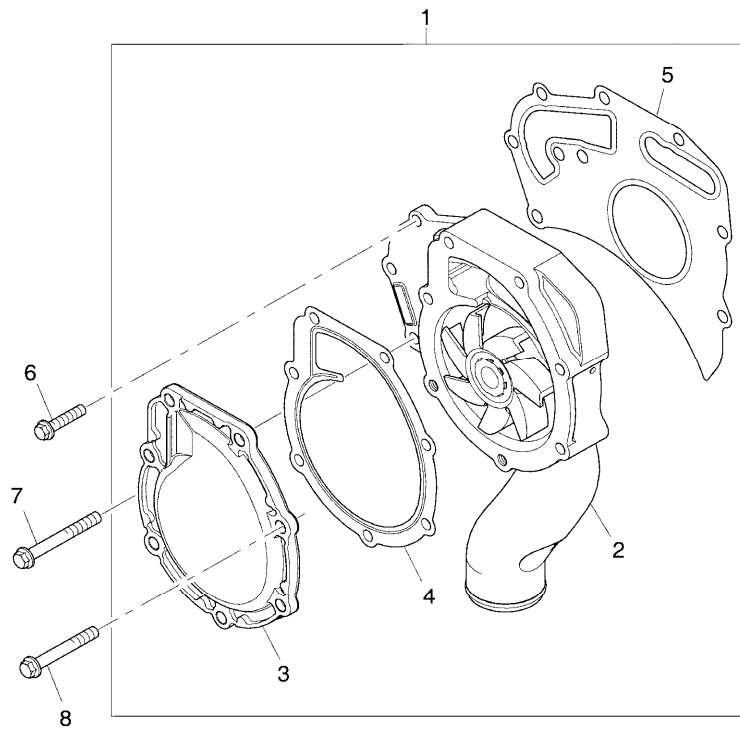
RP55\000015083.png

**A-05
22**



A0522

Water pump



		Inglese
1	U5MW0201	● U5MW0208(1) 1 Kit
2		! 1 1 Kit
		➤ Ref.n.1
3		! 1 1 Guard
		➤ Ref. n.1
4	24880234	! 1 1 Guard
5	3682A011	! 1 1 Gasket
6	2314H005	2 Screw
7	2314K164	2 Screw
8	2314H012	5 Screw

- ! This is a component of an assembly
- Not serviced, order
- Replacement

Engine - 3-cylinders

F Top Restyling (2010-) - RP55 - F85/GE

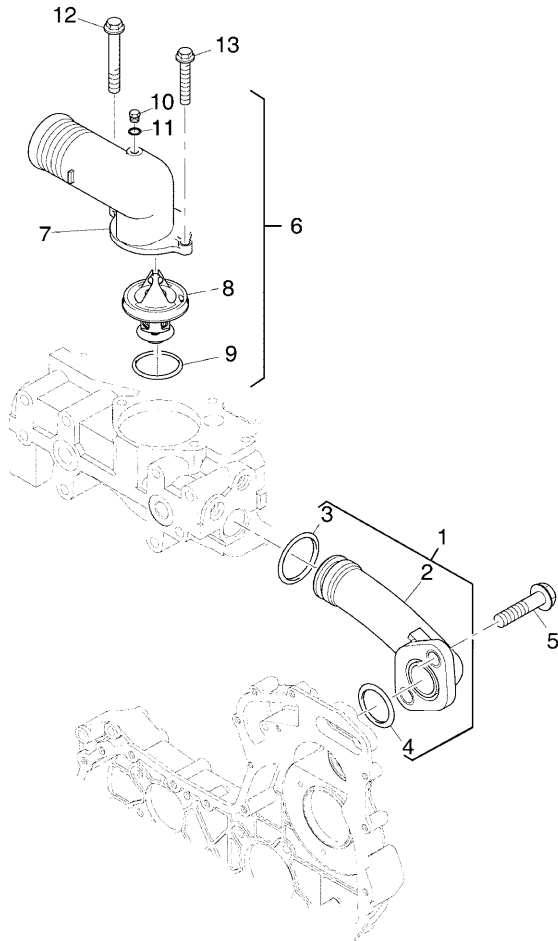
RP55\000015084.png

A-05
23



A0523

Water outlet and inlet



			Inglese
1	4133L049	T-A 0:75	1 Connection
2		! 1	1 Connection
		➡ Ref.n.1	
3	2418F001	! 1	1 Ring
		T-A 0:75	
4	2418F002	! 1	1 Ring
		T-A 0:75	
5	2314H003		2 Screw
6	4133L508		1 Connection
7		! 6	1 Connection
		➡ Ref.n.6	
8		! 6	1 Thermostat
		➡ Ref.n. 6	
9	2415H219	! 6	1 Ring
10	29990015	! 6	1 Plug
11	29990016	! 6	1 O ring
12	2314H012		1 Screw
13	2314H004		1 Screw

! This is a component of an assembly

➡ Not serviced, order

T-A Replacement

Engine - 3-cylinders

F Top Restyling (2010-) - RP55 - F85/GE

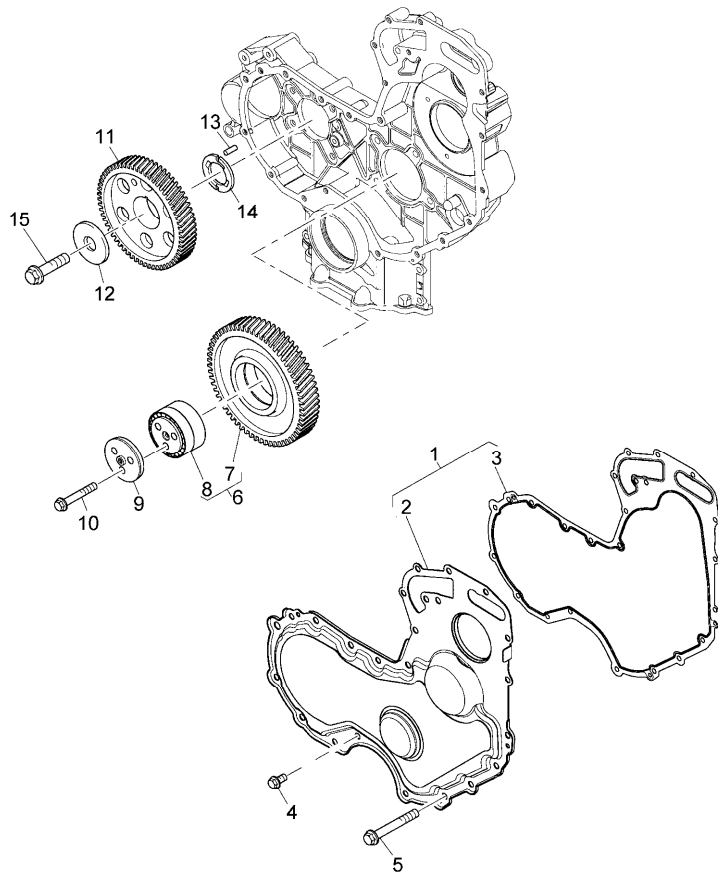
RP55\000015161.png

**A-05
24**



A0524

Cover timing gear



		Inglese
1	4142A503	1 Kit
2	!	1 Cover
	➡ Ref.n.1	
3	3681P046	1 Gasket
	!	
	(X) 1.2.5.	
	T-A 4:50	
4	2314H002	9 Screw
5	2314H012	5 Screw
6	4111A042	● 4111A048(1) 1 Gear
7	!	6 1 Gear
	➡ Ref.n.6	
8	!	6 1 Bearing
	➡ Ref. n.6	
9	3321A012	1 Plate
10	2314J012	3 Screw
11	3117L272	1 Gear
12	3321A003	1 Washer
13	2116053	1 Pin
14	3112X011	1 Washer
15	2314J606	1 Screw
!	This is a component of an assembly	
➡	Not serviced, order	
●	Replacement	
(X)	Qty per tractors sold (aa.bbb.ccc.ddd) (aa) for 1,(bbb) 2-10 (ccc) 11-25 (ddd) 26-50	
T-A	Replacement	



Suggest:

For more complete manuals. Please go to the home page.

<https://www.ebooklibonline.com>

If the above button click is invalid. Please download this document first, and then click the above link to download the complete manual.

Thank you so much for reading

Engine - 3-cylinders

F Top Restyling (2010-) - RP55 - F85/GE

RP55\000020620.png

A-05
25

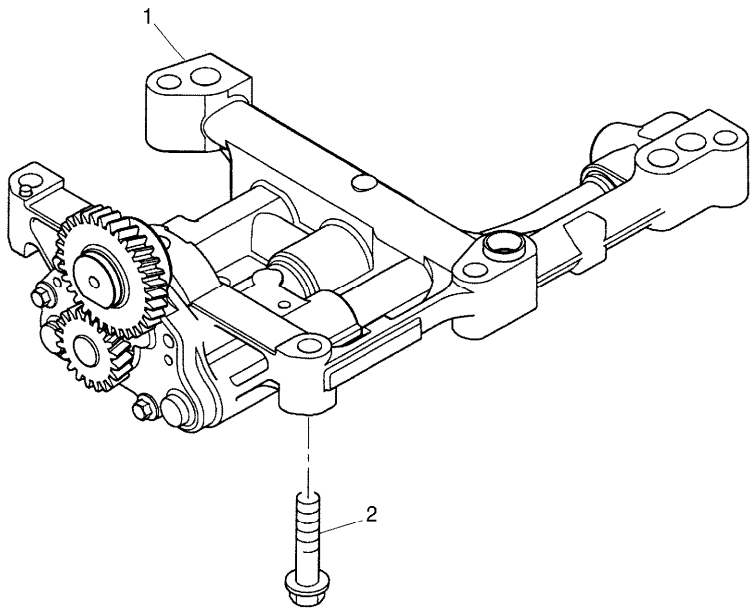


A0525

Lubricating oil pump and delivery housing

- 1 4132F072
- 2 2314J008

- Inglese
- 1 Pump
 - 5 Screw



Engine - 3-cylinders

F Top Restyling (2010-) - RP55 - F85/GE

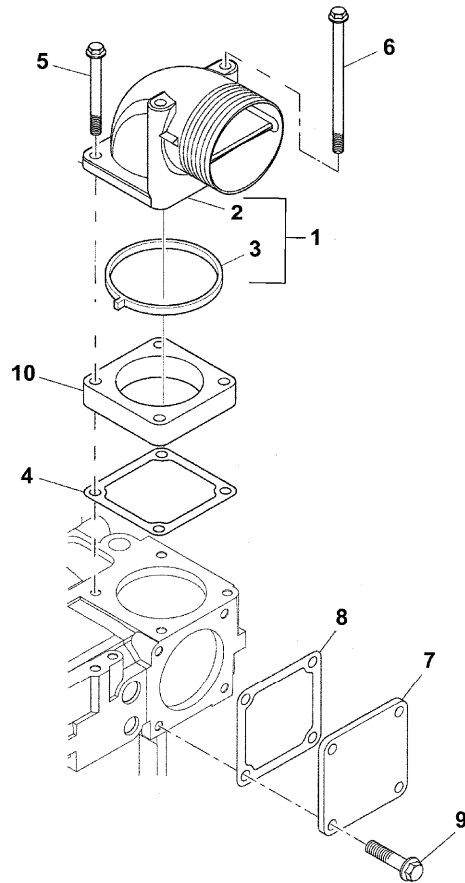
RP55\000030.983.png

**A-05
26**



A0526

Induction manifold



			Inglese
1	4148K008	T-A 0:50	1 Elbow
2		! 1	1 Elbow
		➡ Ref.n.1	
3	3682A013	! 1	1 Gasket
4	3684N503	● 3693794M1(1) T-A 0:50	1 Gasket
5	2314H038		2 Screw
6	2314H052		2 Screw
7	3611M009		1 Plate
8	3684N503	● 3693794M1(1) T-A 0:25	1 Gasket
9	2314H032		4 Screw
10	3748A031	T-A 0:50	1 Spacer
!	This is a component of an assembly		
➡	Not serviced, order		
●	Replacement		
T-A	Replacement		

<https://www.ebooklibonline.com>

Hello dear friend!

Thank you very much for reading.

Enter the link into your browser.

The full manual is available for immediate download.

<https://www.ebooklibonline.com>