

Engine

F Top Restyling (2010-) - RP55 - F80/GE/XL

RP55\00010996.png

A-05
01



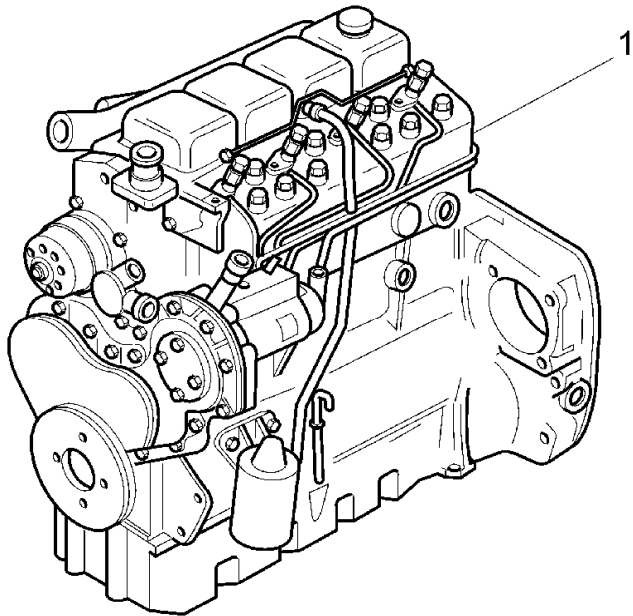
A0501

Engine assembly

Inglese

1 3692627M91

Perkins - nk38936 1 Engine
54.5kw



Engine

F Top Restyling (2010-) - RP55 - F80/GE/XL

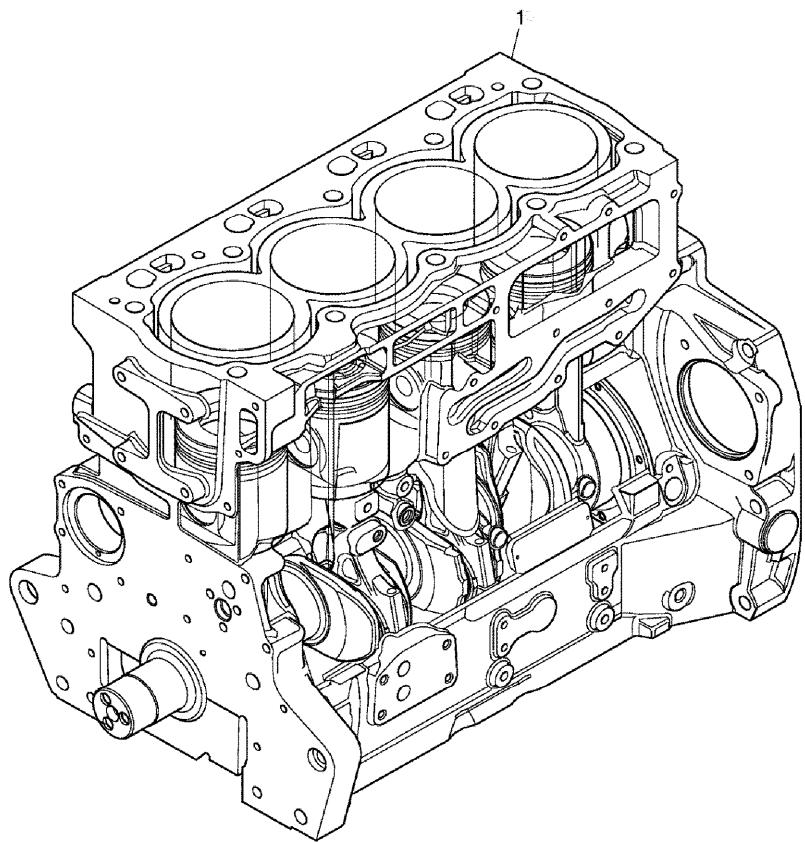
RP55\000015070.png

A-05
02



A0502

Short engine



- | | | | | | |
|---|---------|--|----------------------------------|---|----------------|
| 1 | NK40010 | | U056074 t | 1 | Cylinder block |
| | | | 3115A141(1),
32186146(3), NK4 | | |
| 1 | NK40017 | | U056075 t | 1 | Cylinder block |

- From serial or engine number
- Up to serial or engine number
- Replacement

Inglese

Engine

F Top Restyling (2010-) - RP55 - F80/GE/XL

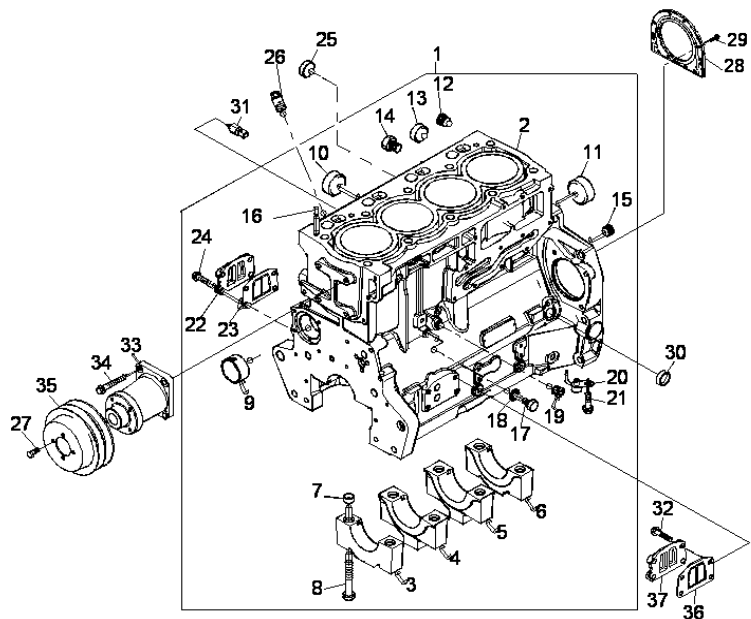
RP55\000015196.png

**A-05
03**



A0503

Cylinder block



		Inglese	
1	ZZ50321	● ZZ50325(1)	1 Block
2		➤ Ref.n.1	1 Cylinder block
		! 1	
3		! 1	1 Bearing
		➤ Ref.n.1	
4		! 1	1 Bearing
		➤ Ref.n.1	
5		! 1	1 Bearing
		➤ Ref.n.1	
6		! 1	1 Bearing
		➤ Ref.n.1	
7	33142111	! 1	10 Manicott
8	32166329	! 1	10 Screw
9	3112D071	! 1	1 Bush
		● 3112D075(1)	
10	3241A011	! 1	2 Plug
11	3241A012	! 1	1 Plug
12	0650588	! 1	1 Plug
13	0650710	! 1	1 Plug
14	32141316	! 1	1 Plug
15	3212P008	! 1	1 Plug
16	3244A009	! 1	2 Dowel
17	2314C049	! 1	1 Screw
18	2415D053	! 1	1 Washer
19	0650594	! 1	1 Plug

<https://www.ebooklibonline.com>

Hello dear friend!

Thank you very much for reading.

Enter the link into your browser.

The full manual is available for immediate download.

<https://www.ebooklibonline.com>

Engine

F Top Restyling (2010-) - RP55 - F80/GE/XL

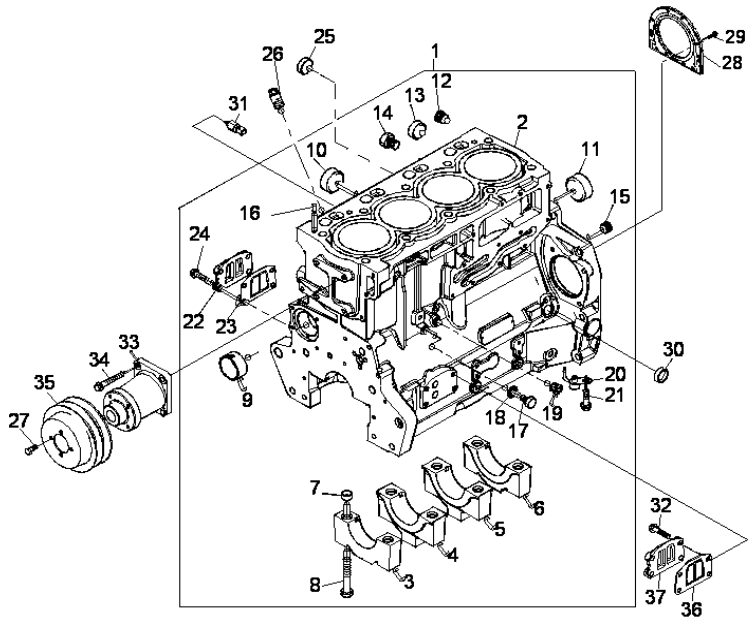
RP55\000015196.png

A-05
03



A0503

Cylinder block



Inglese

20	2113A003	!	1	4	Atomiser
21	2314F001	!	1	4	Screw
22	3753A071	!	1	1	Coperch.
23	3688A041	!	1	1	Gasket
24	2314H034	!	1	4	Screw
25	2485A108			1	Plug
26	3212V006			1	Plug
27	2314C044			4	Screw
28	2418F704	(X)	0.1.3. T-A 11:0	1	Housing
29	3211C002			10	Screw
30	2485A109			1	Plug
31	2848A051	A		1	Pressure switch
32	2314H034			4	Screw
33	4113K005	T-A	2:0	1	Housing
34	2314J005			4	Screw
35	3115C113			1	Pulley
36	3688A041			1	Gasket
37	3753A071			1	Coperch.

! This is a component of an assembly

🔧 Not serviced, order

● Replacement

(X) Qty per tractors sold (aa.bbb.ccc.ddd) (aa) for 1,(bbb) 2-10 (ccc) 11-25 (ddd) 26-50

T-A Replacement

A Oil pressure

Engine

F Top Restyling (2010-) - RP55 - F80/GE/XL

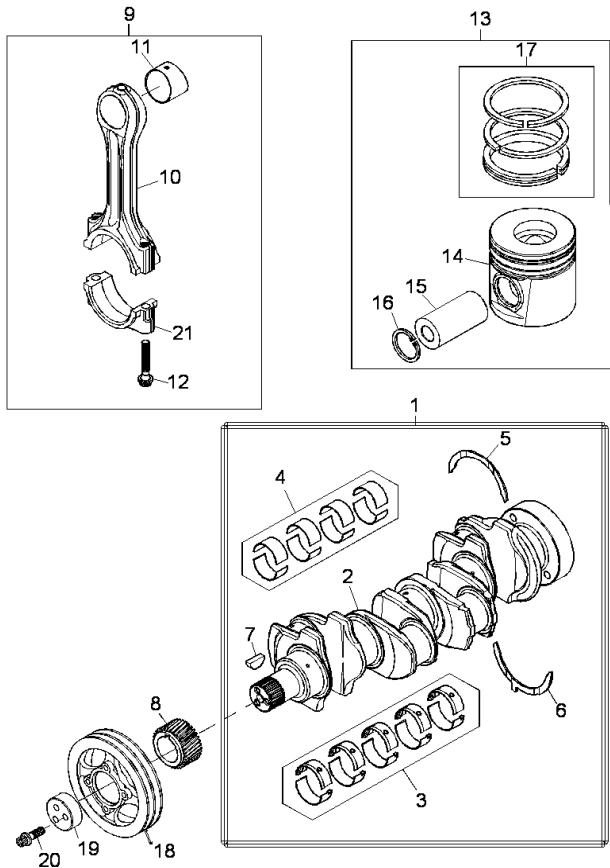
RP55\000015199.png

A-05
04



A0504

Crankshaft, pistons and connecting rods



Inglese

1	ZZ90222	➔	U056074 t	1	Kit
		●	ZZ90239(1)		
1	ZZ90222P	➔	U056074 t	1	Kit
		●	N.L.A.(1)		
1	ZZ90237	➔	U056075 t	1	Shaft
2		!	1	1	Crankshaft
		➔	Ref.n.1		
3	U5MB0018	!	1	1	Kit
		➔	U056074 t		
		●	U5MB0033(1)		
		T-A	18:50		
3	U5MB0018A	⚡	(+)0.010"	1	Kit
		!	1		
		➔	U056074 t		
		●	U5MB0033A(1)		
		T-A	18:50		
3	U5MB0018B	⚡	(+)0.020"	1	Kit
		!	1		
		➔	U056074 t		
		●	U5MB0033B(1)		
		T-A	18:50		
3	U5MB0018C	⚡	(+)0.030"	1	Kit
		!	1		
		➔	U056074 t		
		●	N.L.A.(1)		
		T-A	18:50		

Engine

F Top Restyling (2010-) - RP55 - F80/GE/XL

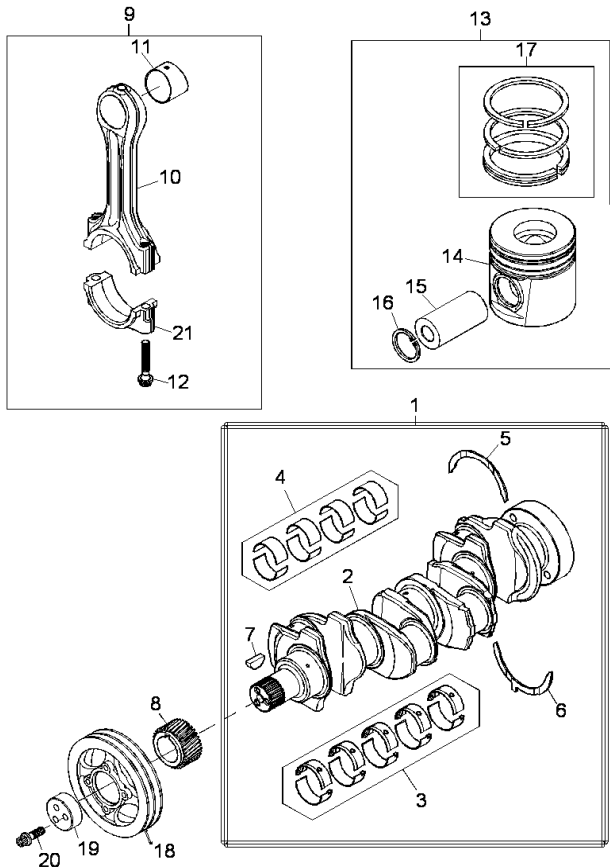
RP55\000015199.png

A-05
04



A0504

Crankshaft, pistons and connecting rods



Inglese

3	U5MB0033	!	1	1 Kit
		➔	U056075 t	
3	U5MB0033A	!	1	1 Kit
		⊗	-0,25mm	
		➔	U056075 t	
3	U5MB0033B	!	1	1 Kit
		⊗	-0,50mm	
		➔	U056075 t	
3	U5MB0033C	!	1	1 Kit
		⊗	-0,75mm	
		➔	U056075 t	
		●	N.L.A.(1)	
4	T400002	!	1	1 Kit
		➔	U056075 t	
		●	T410927(1)	
4	U5ME0026	!	1	1 Kit
		➔	U056074 t	
		●	U5ME0034(1)	
4	U5ME0026A	!	1	1 Kit
		⊗	(+)0.25 mm	
		➔	U056074 t	
		●	U5ME0034A(1)	
4	U5ME0026B	!	1	1 Kit
		⊗	(+)0.50 mm	
		➔	U056074 t	
		●	U5ME0034B(1)	

Engine

F Top Restyling (2010-) - RP55 - F80/GE/XL

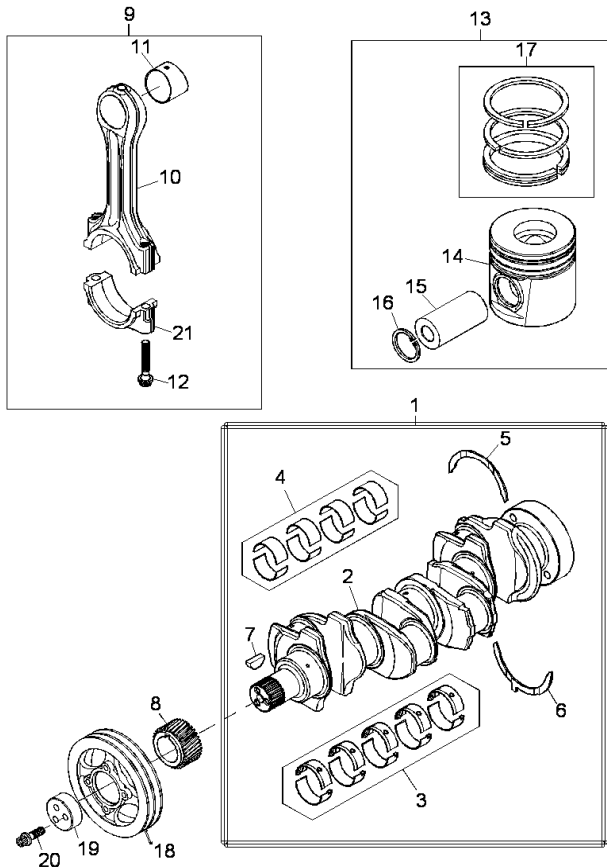
RP55\000015199.png

**A-05
04**



A0504

Crankshaft, pistons and connecting rods



		Inglese	
4	U5ME0026C	! 1 ⚡ (+)0.75 mm ➡ U056074 t	1 Kit
5	31137312	● U5ME0034C(1) ⚡ (+)0.007" ! 1	2 Ring
5	31137551	T-A 18:50 ! 1	2 Washer
6	31137322	T-A 18:50 ⚡ (+)0.007" ! 1	2 Ring
6	31137561	T-A 18:50 ! 1	2 Washer
7	0500012	! 1	1 Key
8	3117C221	T-A 13:0	1 Gear
9	4115C311	➡ U056074 t F T-A 17:0	4 Kit
9	4115C312	➡ U056074 t E T-A 17:0	4 Kit
9	4115C313	➡ U056074 t D T-A 17:0	4 Kit

Engine

F Top Restyling (2010-) - RP55 - F80/GE/XL

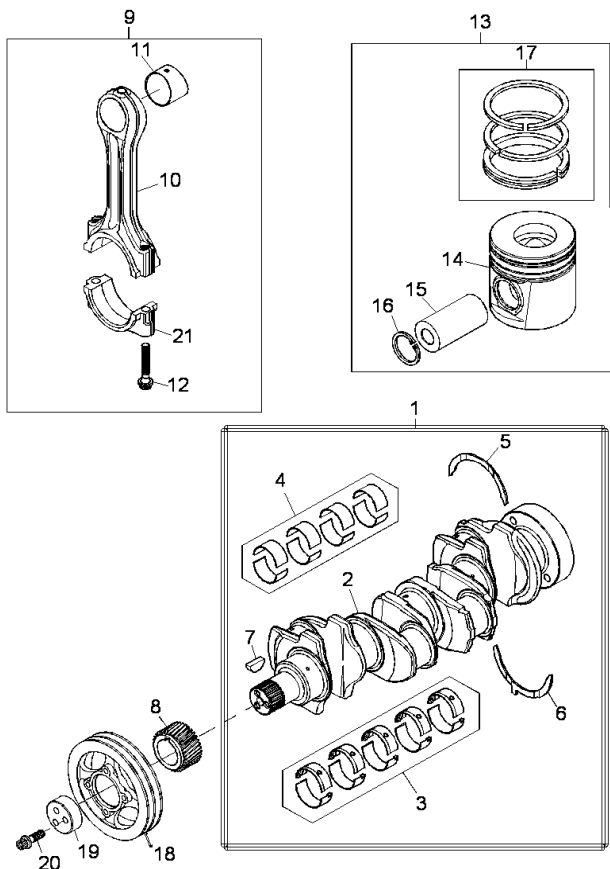
RP55\000015199.png

**A-05
04**



A0504

Crankshaft, pistons and connecting rods



		Inglese	
9	4115C314	➡ U056074 t C T-A 17:0	4 Kit
9	4115C315	➡ U056074 t B T-A 17:0	4 Kit
9	4115C316	➡ U056074 t A T-A 17:0	4 Kit
9	4115C361	➡ U056075 t F	4 Conrod
9	4115C362	➡ U056075 t E	4 Conrod
9	4115C363	➡ U056075 t D	4 Conrod
9	4115C364	➡ U056075 t C	4 Conrod
9	4115C365	➡ U056075 t B	4 Conrod
9	4115C366	➡ U056075 t A	4 Conrod
10		! 9 ➡ Ref.n.9	1 Conrod
11	3112A005	! 9 T-A 17:0	1 Bush

Engine

F Top Restyling (2010-) - RP55 - F80/GE/XL

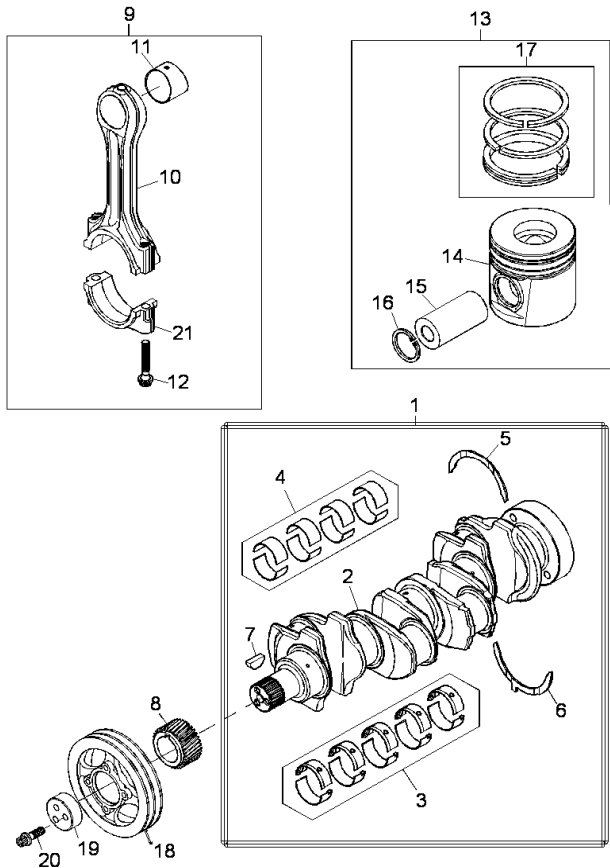
RP55\000015199.png

**A-05
04**



A0504

Crankshaft, pistons and connecting rods



		Inglese		
12	3212V003	!	9	2 Screw
		➔	U056074 t	
12	T400001	!	9	2 Screw
		➔	U056075 t	
13	U5PR0063			4 Kit
14		!	13	1 Piston
		📦	Ref.n.13	
15		!	13	1 Pin
		📦	Ref.n.13	
16	2721332	!	13	2 Ring
17	UPRK0003	!	13	1 Kit
		(X)	1.2.5.	
		T-A	17:0	
18	3115A141	➔	U056075 t	1 Pulley
18	3115T051	➔	U056074 t	1 Pulley
		T-A	2:0	
19	3241N001	➔	U056074 t	1 Block
		T-A	2:0	
20	32186137	➔	U056074 t	3 Screw
20	32186146	➔	U056075 t	1 Bolt
21		!	9	1 Cover
		📦	Ref.n.9	

- ! This is a component of an assembly
- ➔ From serial or engine number
- ➔ Up to serial or engine number
- 📦 Not serviced, order
- ⚡ Shim

Engine

F Top Restyling (2010-) - RP55 - F80/GE/XL

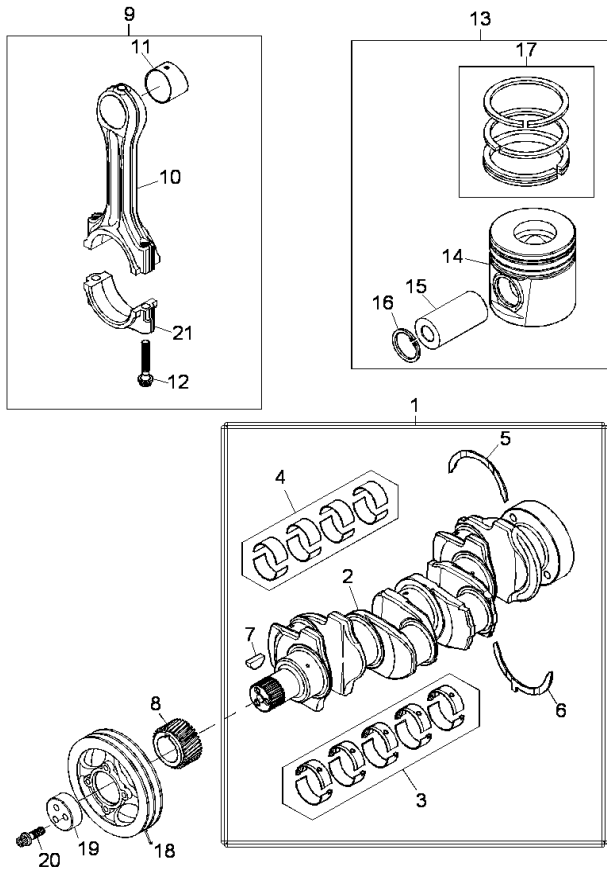
RP55\000015199.png

A-05
04



A0504

Crankshaft, pistons and connecting rods



- Replacement
- (X) Qty per tractors sold (aa.bbb.ccc.ddd) (aa) for 1,(bbb) 2-10 (ccc) 11-25 (ddd) 26-50
- T-A Replacement
- A Blue
- B Purple
- C Green
- D White
- E Orange
- F Red

Engine

F Top Restyling (2010-) - RP55 - F80/GE/XL

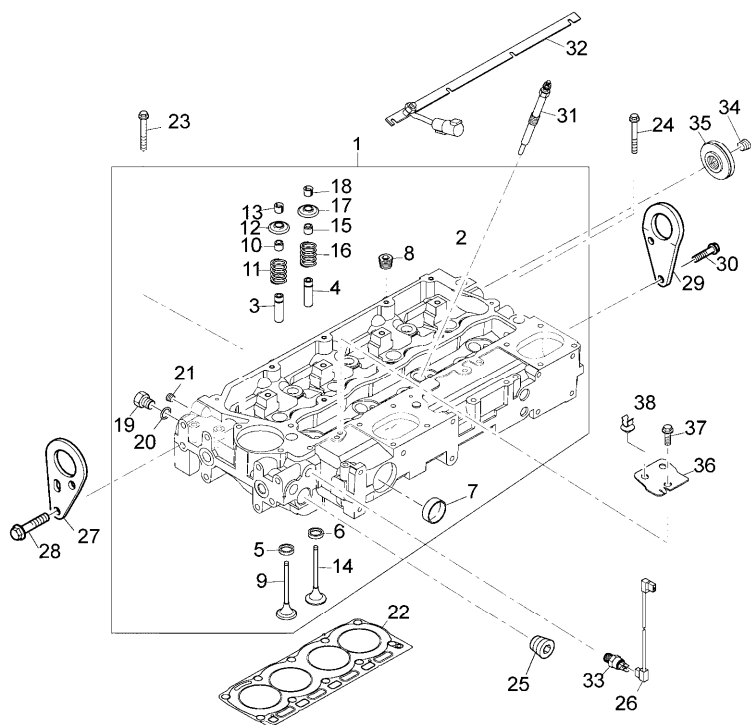
RP55\000015201.png

A-05
05



A0505

Cylinder head



- | | | | |
|----|----------|-----|------------|
| 1 | ZZ80281 | | |
| 2 | | ! | 33 |
| 3 | 3313A012 | ▶ | Ref.n.1 |
| 4 | 3313A012 | ! | 33 |
| | | T-A | 7:50 |
| 4 | 3313A012 | ! | 33 |
| | | T-A | 7:50 |
| 5 | 3314A221 | ! | 33 |
| 6 | 3314A231 | ! | 33 |
| 7 | 32416117 | ! | 33 |
| | | T-A | 1:0 |
| 8 | 0650588 | ! | 33 |
| | | T-A | 0:50 |
| 9 | 3142H101 | ! | 33 |
| 10 | 2418M519 | ! | 33 |
| | | A | |
| 11 | 3174A031 | ! | 33 |
| | | ● | T417479(4) |
| 12 | 3342A021 | ! | 33 |
| 13 | 2714A002 | ! | 33 |
| 14 | 3142A171 | ! | 33 |
| 15 | 2418M517 | ! | 33 |
| | | B | |
| 16 | 3174A031 | ! | 33 |
| | | ● | T417479(4) |
| 17 | 3342A021 | ! | 33 |

Inglese

- | | |
|---|---------------|
| 1 | Cylinder head |
| 1 | Head |
| 4 | Insert |
| 4 | Insert |
| 4 | Insert |
| 4 | Insert |
| 2 | Plug |
| 4 | Plug |
| 4 | Valve |
| 4 | Ring |
| 4 | Spring |
| 4 | Coperch. |
| 8 | Collar |
| 4 | Valve |
| 4 | Ring |
| 4 | Spring |
| 4 | Coperch. |

Engine

F Top Restyling (2010-) - RP55 - F80/GE/XL

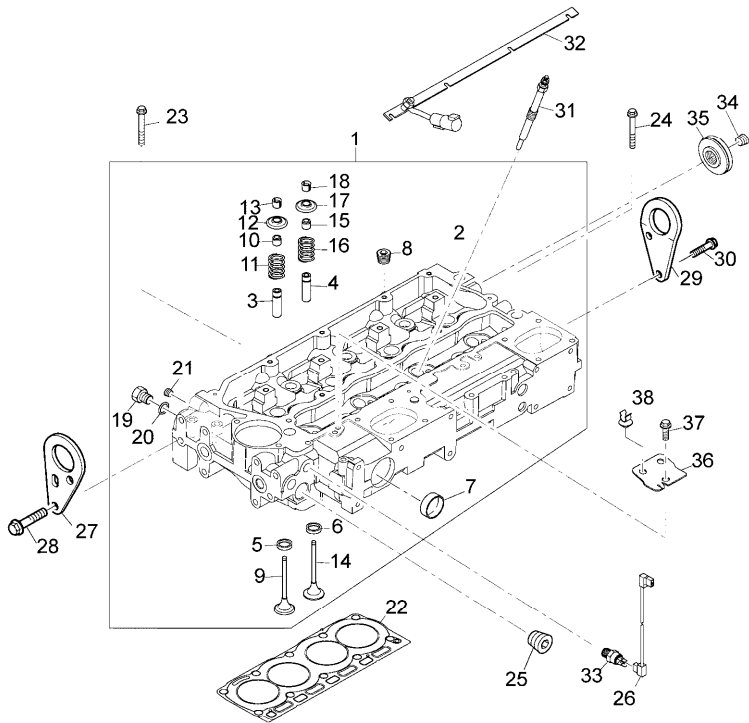
RP55\000015201.png

A-05
05



A0505

Cylinder head



- 18 2714A002 ! 33
- 19 3278A006 ! 33
- 20 2415H003 ! 33
- 21 2431154 ! 33
- 22 3681E051
- 23 3218A011
- 24 3218A012
- 25 2431154
- 26 3161C017
- 27 3617A015
- 28 2314J002
- 29 3647A007
- 30 2314J002
- 31 2666A016 T-A 0:75
- 32 3161C054 ● T409642(1)
- 33 2848A123 C
- 34 2431154 T-A 0:25
- 35 3342A701
- 36 3653A017
- 37 2314H002
- 38 2481D456

Inglese

- 8 Collar
- 1 Plug
- 1 Ring
- 1 Plug
- 1 Gasket
- 7 Screw
- 3 Screw
- 1 Plug
- 1 Cable
- 1 Stirrup
- 2 Screw
- 1 Stirrup
- 2 Screw
- 4 Spark plug
- 1 Bar
- 1 Sensor
- 1 Plug
- 1 Connection
- 1 Stirrup
- 1 Screw
- 1 Clip

- ! This is a component of an assembly
- ▣ Not serviced, order
- Replacement

Engine

A-05
05

Cylinder head

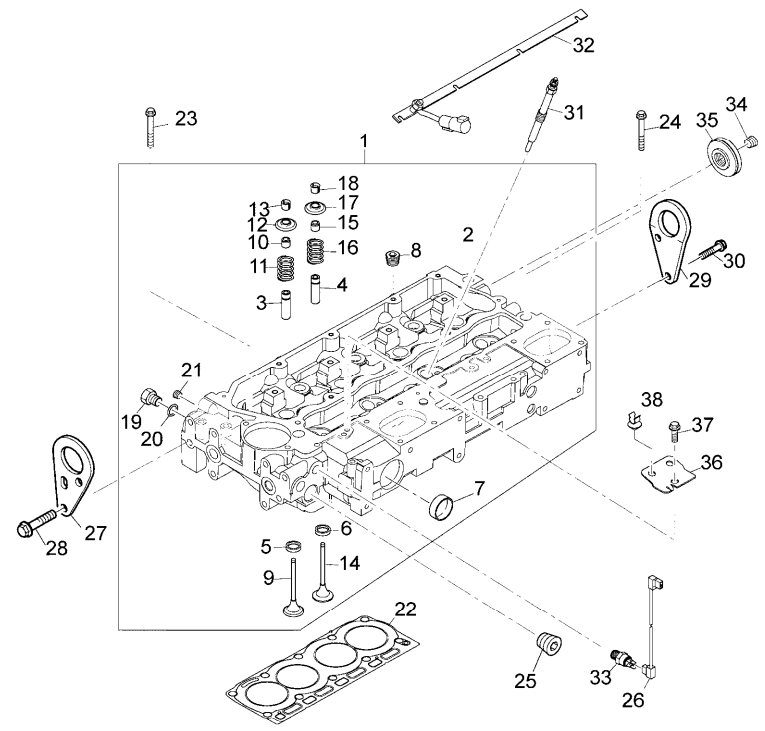
F Top Restyling (2010-) - RP55 - F80/GE/XL



A0505

RP55\000015201.png

- T-A Replacement
- A Green
- B Brown
- C Water temperature



Engine

F Top Restyling (2010-) - RP55 - F80/GE/XL

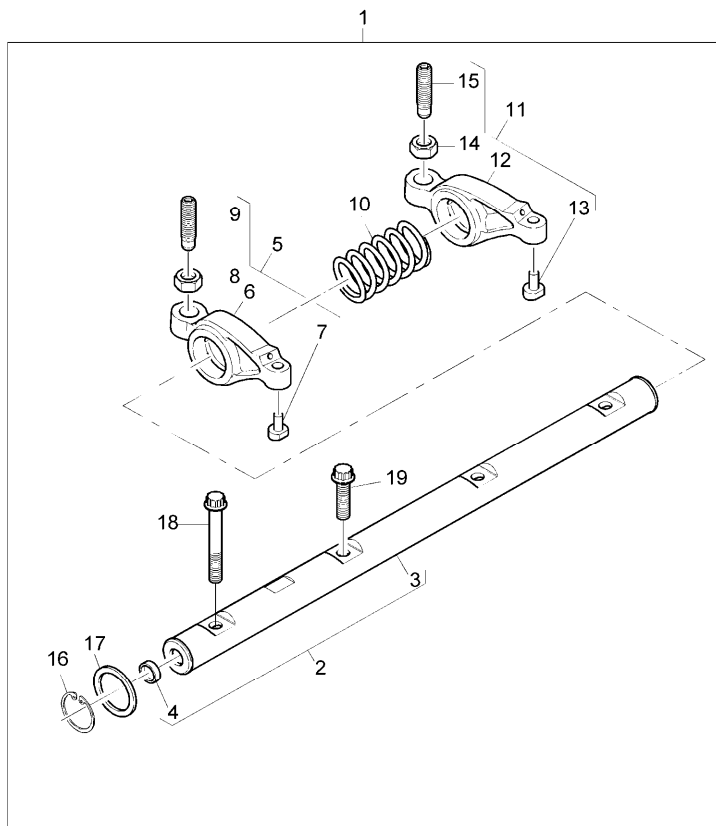
RP55\000015204.png

A-05
06



A0506

Rocker shaft



		Inglese	
1	4115R613		1 Axle
2	4115R703	! 1	1 Shaft
		T-A 4:0	
3		! 2	1 Shaft
		➡ Ref.n.2	
4	2485A104	! 2	2 Plug
		T-A 4:0	
5	4115R319	! 1	4 Lever
6		! 5	1 Rocker
		➡ Ref.n.5	
7		! 5	1 Shim
		➡ Ref.n.5	
8	3331A006	! 5	1 Nut
9	3211C004	! 5	1 Screw
10	3174A015	! 1	3 Spring
		T-A 4:0	
11	4115R318	! 1	4 Lever
12		! 11	1 Rocker
		➡ Ref.n.11	
13		! 11	1 Shim
		➡ Ref.n.11	
14	3331A006	! 11	1 Nut
15	3211C004	! 1	1 Screw
16	2722A022	! 1	2 Ring
17	2134A502	! 1	2 Washer
		T-A 4:0	

Engine

F Top Restyling (2010-) - RP55 - F80/GE/XL

RP55\000015204.png

A-05
06



A0506

Rocker shaft

Inglese

18 2316A901 ! 1

1 Screw

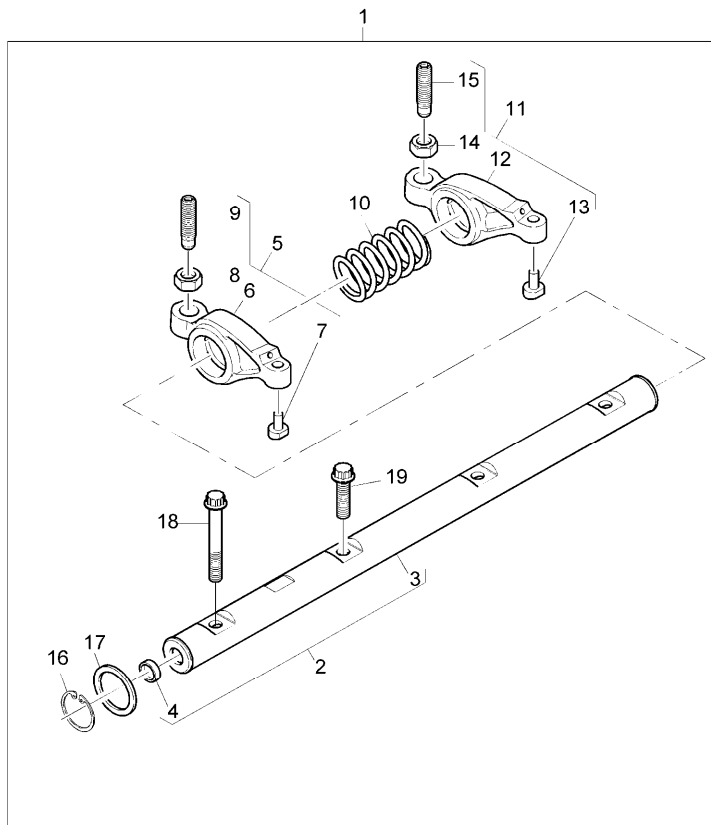
19 2316A902 ! 1

3 Screw

! This is a component of an assembly

Not serviced, order

T-A Replacement



Engine

F Top Restyling (2010-) - RP55 - F80/GE/XL

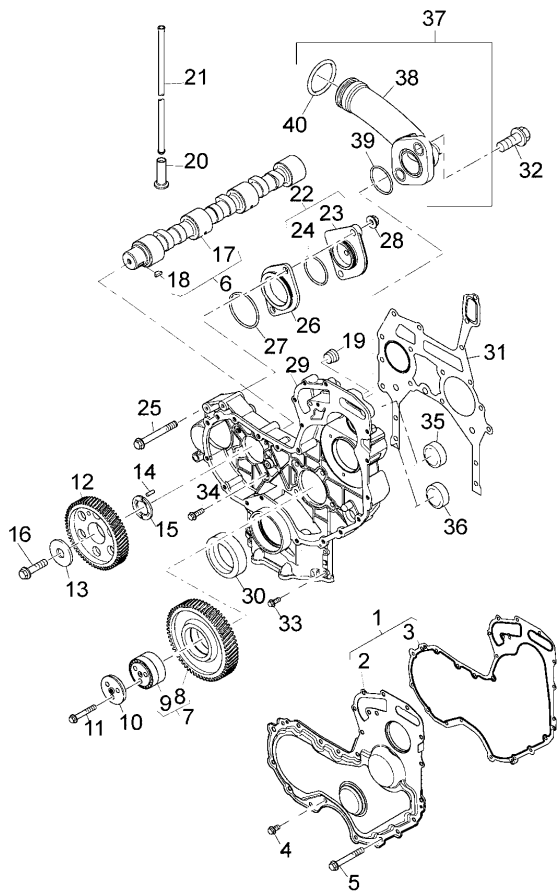
RP55\00040014.png

A-05
07



A0507

Timing gear and camshaft



		Inglese
1	4142A503 T-A 4:50	1 Kit
2	! 31	1 Overlay
	➡ Ref.n.1	
3	3681P046 ! 31	1 Gasket
	(X) 0.1.3.	
	T-A 4:50	
4	2314H002	9 Screw
5	2314H012	5 Screw
6	4112K074	1 Shaft
7	4111A042 ● 4111A048(1)	1 Gear
	T-A 4:75	
8	! 7	1 Gear
	➡ Ref.n.7	
9	! 7	1 Hub
	➡ Ref.n.7	
10	3321A012 ! 7	1 Plate
	T-A 4:75	
11	2314J012	3 Screw
12	3117L272 T-A 4:75	1 Gear
13	3321A003 T-A 4:75	1 Washer
14	2116053	1 Pin
15	3112X011 T-A 4:75	1 Washer
16	2314J606	1 Screw
17	! 6	1 Shaft
	➡ Ref.n.6	

Engine

F Top Restyling (2010-) - RP55 - F80/GE/XL

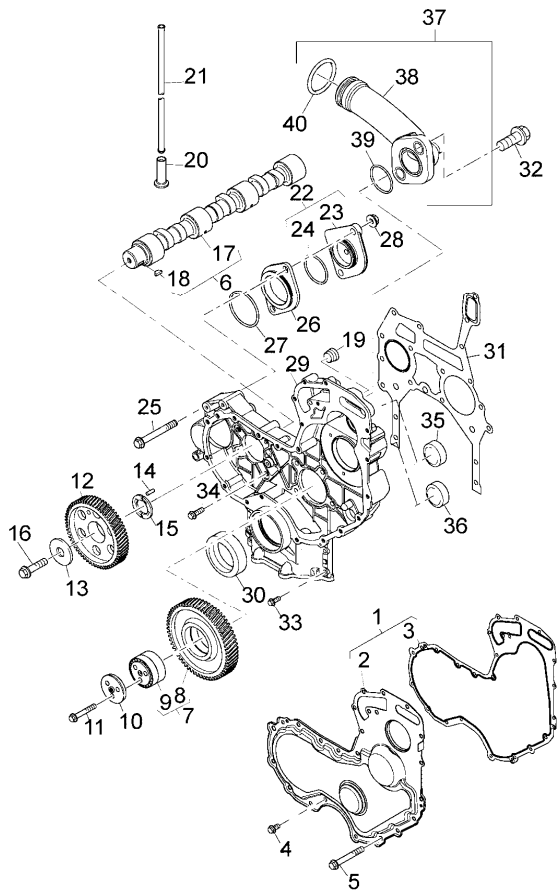
RP55\00040014.png

A-05
07



A0507

Timing gear and camshaft



18	0500012	!	6
19	2431154		
20	3142U061		
21	3142V011		
22	4148K012	T-A	4:75
23		!	22
		➡	Ref.n.22
24	2415H515	T-A	4:75
25	2314J014		
26	3617a044	T-A	4:75
27	2415H516	T-A	4:75
28	2318A604		
29	3716C581	T-A	4:75
30	2418F437	(X)	0.1.3.
		T-A	4:75
31	3681P053	T-A	4:75
32	2314H003		
33	2314H003		
34	2314H034		
35	2485A124		
36	2485A118		
37	4133L048		
38		!	37
		➡	Ref.n.37

Inglese

- 1 Key
- 1 Plug
- 8 Tappet
- 8 Rod
- 1 Plate
- 1 Plate
- 1 Ring
- 2 Screw
- 1 Disc
- 1 Ring
- 2 Nut
- 1 Housing
- 1 Seal
- 1 Gasket
- 2 Screw
- 8 Screw
- 4 Screw
- 1 Plug
- 1 Plug
- 1 Connection
- 1 Connection

Engine

F Top Restyling (2010-) - RP55 - F80/GE/XL

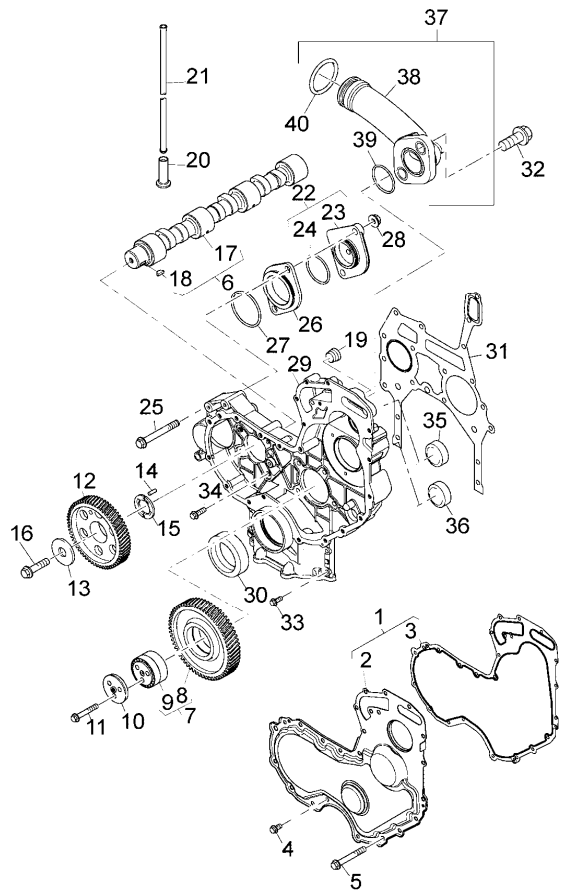
RP55\00040014.png

**A-05
07**



A0507

Timing gear and camshaft



Inglese

39	2418F001	!	37	1	Ring
			T-A 4:75		
40	2418F002	!	37	1	Ring
			T-A 4:75		

! This is a component of an assembly

▣ Not serviced, order

● Replacement

(X) Qty per tractors sold (aa.bbb.ccc.ddd) (aa) for 1,(bbb) 2-10 (ccc) 11-25 (ddd) 26-50

T-A Replacement

Engine

F Top Restyling (2010-) - RP55 - F80/GE/XL

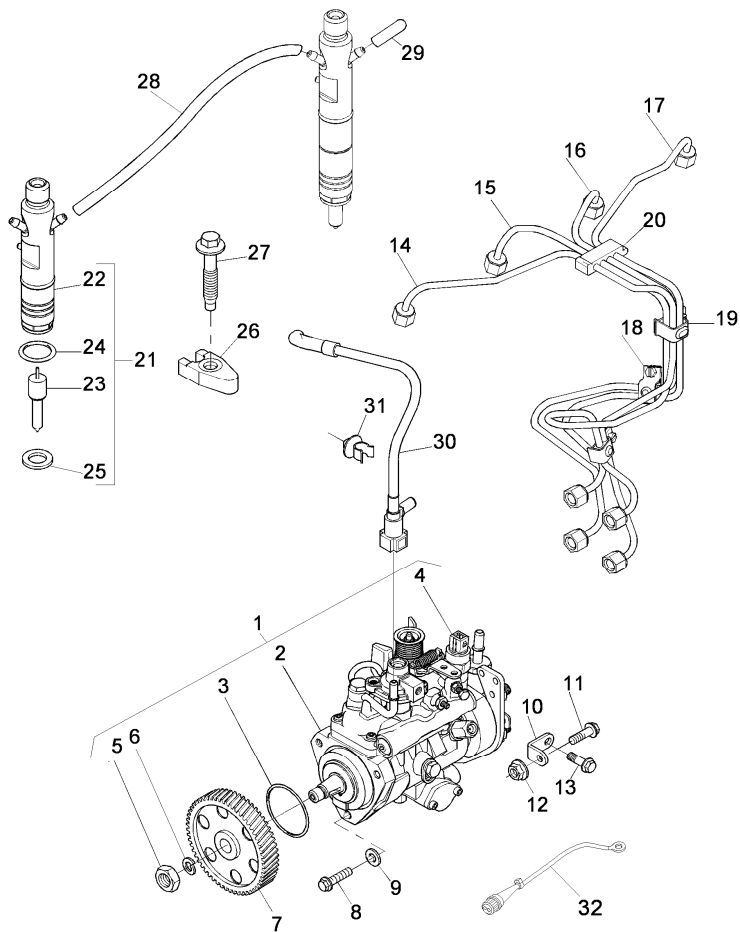
RP55\000015208.png

A-05
08



A0508

Fuel injection equipment (diesel)



- | | | | |
|----|-------------|---|----------|
| 1 | 2644C319/22 | | |
| 2 | | ! | 1 |
| 3 | 26420318 | ! | 1 |
| 4 | 26420469 | ! | 1 |
| 5 | 2318A108 | ! | 1 |
| 6 | K134AF01 | ! | 1 |
| 7 | 3117L261 | | |
| 8 | 2314H004 | | |
| 9 | 2411D008 | | |
| 10 | 3641A007 | | |
| 11 | 2314H003 | | |
| 12 | 2318A603 | | |
| 13 | 2314J002 | | |
| 14 | 3525A101 | | |
| 15 | 3525A102 | | |
| 16 | 3525A103 | | |
| 17 | 3525A104 | | |
| 18 | 2481Y011 | | |
| 19 | 2481Y012 | | |
| 20 | 2646E019 | | |
| 21 | 2645K027 | | |
| 22 | | ➡ | Ref.n.21 |
| | | ! | 21 |

Inglese

- | | |
|---|----------|
| 1 | Pump |
| 1 | Pump |
| 1 | Ring |
| 1 | Solenoid |
| 1 | Nut |
| 1 | Washer |
| 1 | Gear |
| 3 | Screw |
| 6 | Washer |
| 1 | Stirrup |
| 1 | Screw |
| 1 | Nut |
| 1 | Screw |
| 1 | Pipe |
| 1 | Pipe |
| 1 | Pipe |
| 2 | Clip |
| 1 | Clip |
| 1 | Clip |
| 1 | Nozzle |
| 1 | Nozzle |

Engine

F Top Restyling (2010-) - RP55 - F80/GE/XL

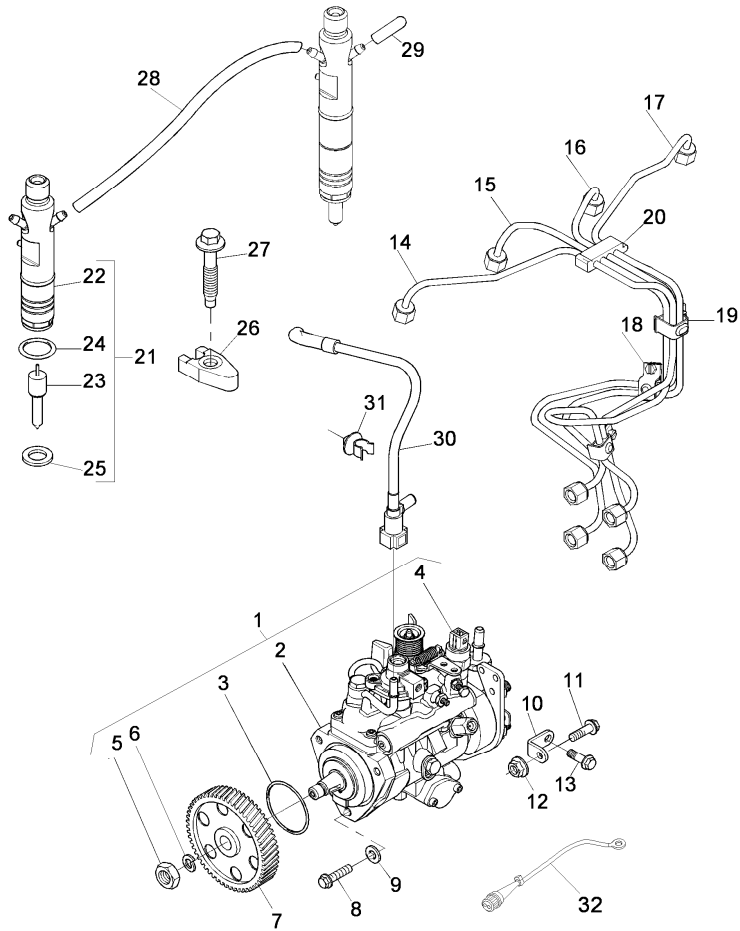
RP55\000015208.png

A-05
08



A0508

Fuel injection equipment (diesel)



23		➡ Ref.n.21	!	21
24	26460064		!	21
25	L311FF02		!	21
26	3751A241			
27	2314W009			
28	2646F501			
29	2646E501			
30	2646F007			
31	2481D456			
32		A		
!	This is a component of an assembly			
➡	Not serviced, order			
A	Not fitted on this application			

Inglese

- 1 Jet
- 1 Ring
- 1 Washer
- 4 Clamp
- 4 Screw
- 3 Pipe
- 1 Cap
- 1 Pipe
- 1 Clip
- 1 Harness

Engine

F Top Restyling (2010-) - RP55 - F80/GE/XL

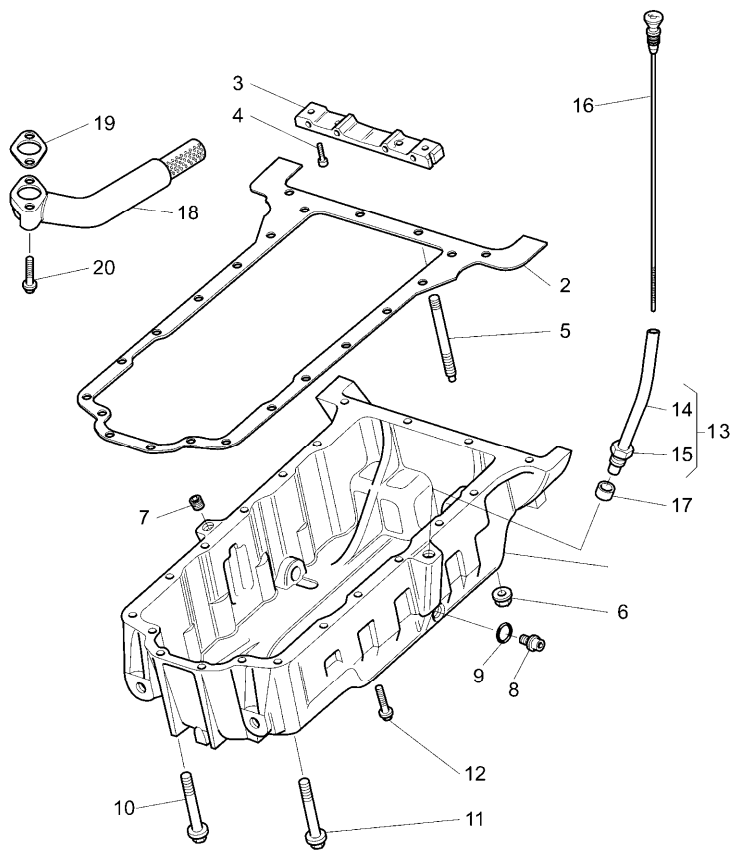
RP55\00011008.png

**A-05
09**



A0509

Lubricating oil sump



- | | | | |
|----|----------|-----|-------------|
| 1 | 3717E271 | T-A | 2:0 |
| 2 | 3681K036 | (X) | 1.2.3. |
| | | T-A | 2:0 |
| 3 | 3627P041 | T-A | 2:0 |
| 4 | 2311D039 | | |
| 5 | 3211P013 | | |
| 6 | 2318A603 | | |
| 7 | 2431A016 | | |
| 8 | 32186405 | | |
| 9 | 2415715 | | |
| 10 | 2314H023 | | |
| 11 | 2314H022 | ● | 2314H052(1) |
| 12 | 2314H015 | | |
| 13 | 3577A159 | | |
| 14 | | ! | 13 |
| | | ➡ | Ref. n.13 |
| 15 | 3353D005 | ! | 13 |
| 16 | 3178C081 | (X) | 1.2.4. |
| | | T-A | 0:25 |
| 17 | 33812116 | T-A | 0:25 |
| 18 | 3765A091 | T-A | 2:25 |
| 19 | 36832137 | T-A | 2:25 |
| 20 | 2314H006 | | |

Inglese

- 1 Crankcase
- 1 Gasket
- 1 Crosspiece
- 2 Screw
- 2 Stud
- 2 Nut
- 1 Plug
- 2 Plug
- 2 Ring
- 5 Screw
- 1 Screw
- 12 Screw
- 1 Pipe
- 1 Pipe
- 1 Nut
- 1 Rod
- 1 Olive
- 1 Pipe
- 1 Gasket
- 2 Screw

! This is a component of an assembly
 ➡ Not serviced, order

Engine

F Top Restyling (2010-) - RP55 - F80/GE/XL

RP55\00011008.png

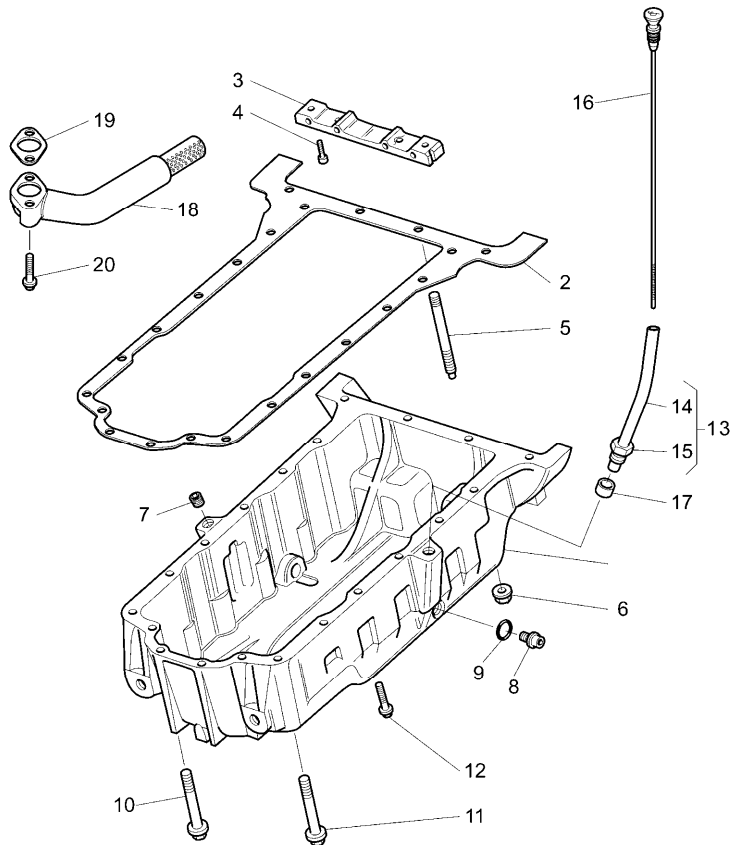
A-05
09



A0509

Lubricating oil sump

- Replacement
- (X) Qty per tractors sold (aa.bbb.ccc.ddd) (aa) for 1,(bbb) 2-10 (ccc) 11-25 (ddd) 26-50
- T-A Replacement





Suggest:

For more complete manuals. Please go to the home page.

<https://www.ebooklibonline.com>

If the above button click is invalid. Please download this document first, and then click the above link to download the complete manual.

Thank you so much for reading

Engine

F Top Restyling (2010-) - RP55 - F80/GE/XL

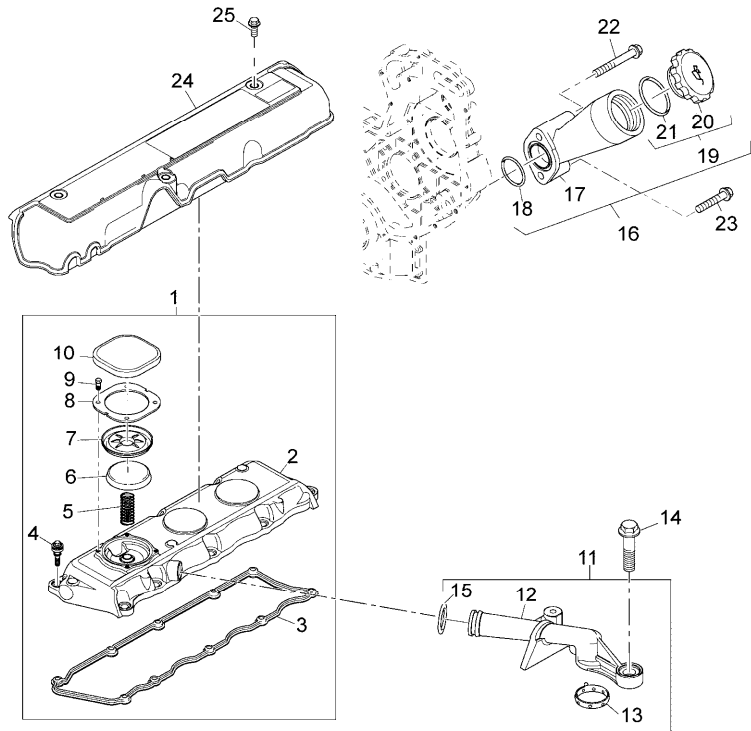
RP55\000015212.png

A-05
10



A0510

Lubricating oil filler and breather



		Inglese	
1	4142X322	● T417513(1)	1 Guard
2		! 1	1 Cover
3	3681A055	➡ Ref.n.1	
		! 1	1 Gasket
		(X) 0.1.3.	
		T-A 1:0	
4	2161A013	! 1	10 Screw
5	3174A017	! 1	1 Spring
		T-A 0:50	
6	3788A002	! 1	1 Cap
		T-A 0:25	
7	3789A001	! 1	1 Diaphragm
		T-A 0:25	
8	3615A009	! 1	1 Plate
		T-A 0:25	
9	2151A001	! 1	4 Screw
10	3788A003	! 1	1 Cap
		T-A 0:25	
11	4134K021		1 Pipe
12		! 11	1 Pipe
		➡ Ref.n.11	
13	2415H701	! 11	1 Ring
14	2314F005		2 Screw
15	2415A068	! 11	1 Ring
		T-A 0:50	
16	4134C073		1 Filler

Engine

F Top Restyling (2010-) - RP55 - F80/GE/XL

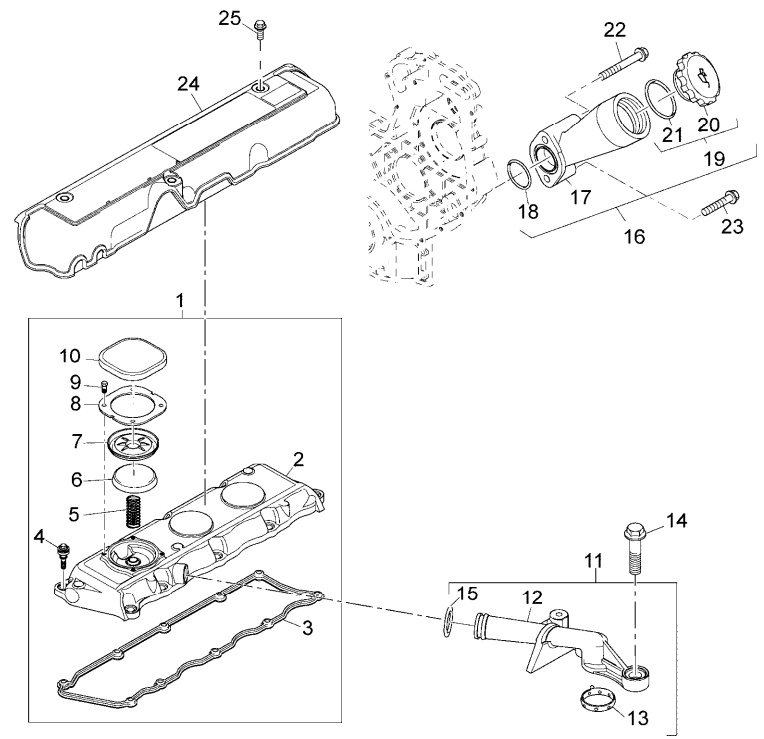
RP55\000015212.png

A-05
10



A0510

Lubricating oil filler and breather



		Inglese	
17	▶ Ref.n.16	1	Body
	! 16		
18	2415B121 ! 16	1	O ring
18	2415H651 ! 16	1	Ring
19	4142X098 ! 16	1	Plug
	(X) 1.3.5.		
	T-A 0:25		
20	▶ Ref.n.19	1	Plug
	! 19		
21	2415633 ! 19	1	O ring
	T-A 0:25		
22	2314K161	1	Screw
23	2314H008	1	Screw
24	3788N003 T-A 0:50	1	Cover
25	2314F003	3	Screw
!	This is a component of an assembly		
▶	Not serviced, order		
●	Replacement		
(X)	Qty per tractors sold (aa.bbb.ccc.ddd) (aa) for 1,(bbb) 2-10 (ccc) 11-25 (ddd) 26-50		
T-A	Replacement		

<https://www.ebooklibonline.com>

Hello dear friend!

Thank you very much for reading.

Enter the link into your browser.

The full manual is available for immediate download.

<https://www.ebooklibonline.com>