

Engine

F Top Restyling (2010-) - RP55 - F75

RP55\00010996.png

A-05
01



A0501

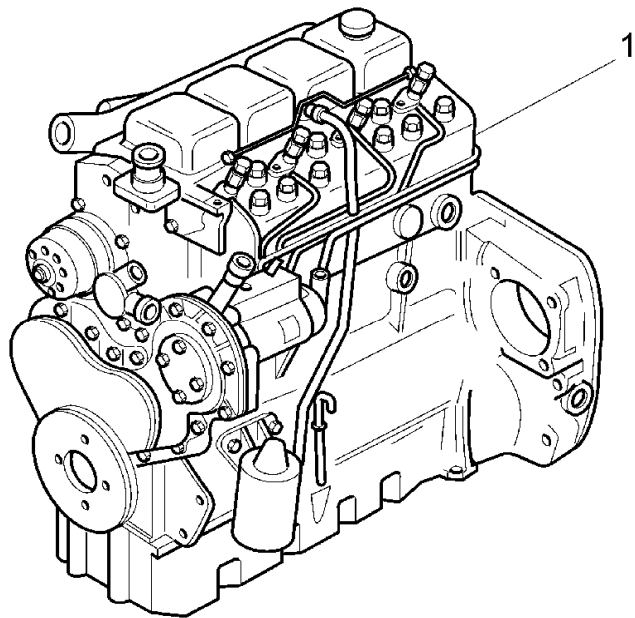
Engine assembly

Inglese

1 3675502M93

Perkins - re38102

1 Engine



Engine

F Top Restyling (2010-) - RP55 - F75

RP55\00002787.png

A-05
011



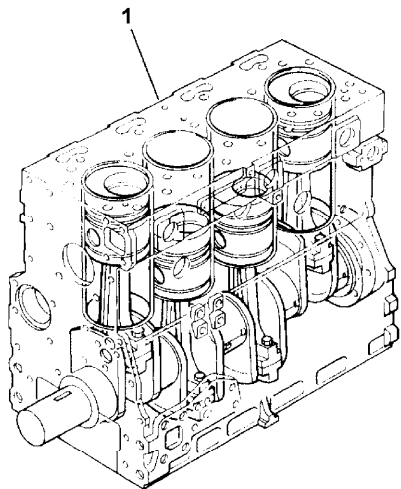
A05011

Short engine

Inglese

- | | | | | | |
|---|---------|---|----------------------------------|---|--------------|
| 1 | RE40002 | ➔ | U491476 t | 1 | Engine |
| | | ● | 3115A141(1),
32186146(3), RE4 | | |
| 1 | RE40021 | ➔ | U491477 t | 1 | Short engine |

- ➔ From serial or engine number
- ➔ Up to serial or engine number
- Replacement



Engine

F Top Restyling (2010-) - RP55 - F75

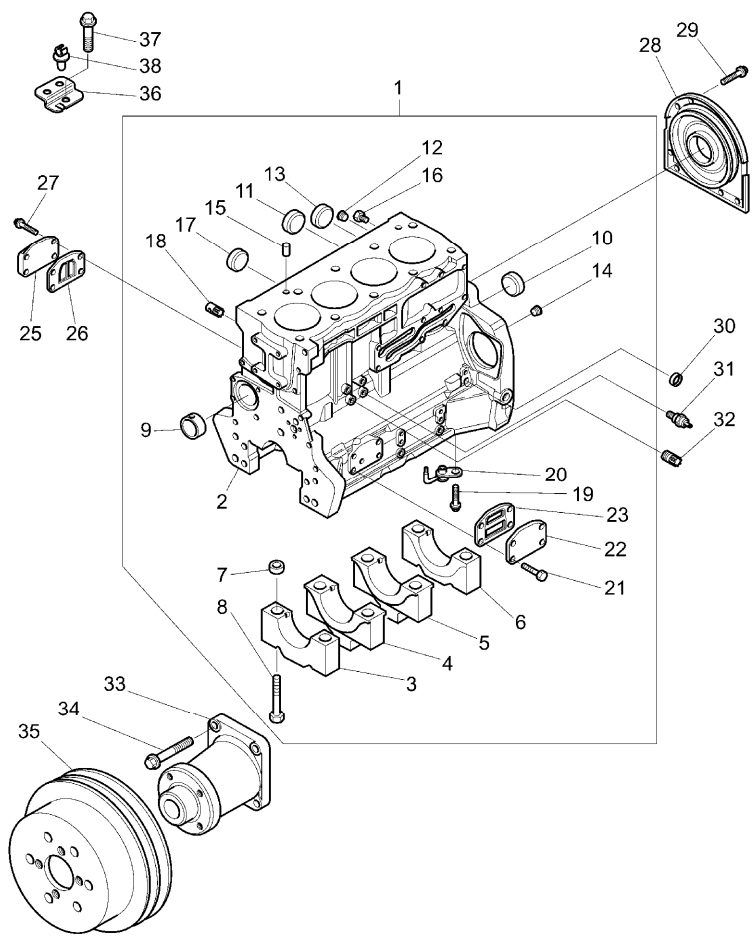
RP55\00010995.png

A-05
02



A0502

Cylinder block



		Inglese
1	ZZ50312	Kit
	● ZZ50325(1)	
	T-A 30:50	
2	!	Cylinder
	➤ Zz50312	
3	!	Bearing
	➤ Zz50312	
4	!	Bearing
	➤ Zz50312	
5	!	Bearing
	➤ Zz50312	
6	!	Bearing
	➤ Zz50312	
7	33142111	10 Manicott
8	32166329	10 Screw
9	3112D071	1 Bush
	● 3112D075(1)	
10	3241A012	1 Plug
11	3241A011	2 Plug
12	0650588	1 Plug
13	0650710	1 Plug
14	3212P008	1 Plug
15	3244A009	2 Dowel
16	32141316	2 Plug
17	2485A108	1 Plug
18	3212V006	1 Plug

<https://www.ebooklibonline.com>

Hello dear friend!

Thank you very much for reading.

Enter the link into your browser.

The full manual is available for immediate download.

<https://www.ebooklibonline.com>

Engine

F Top Restyling (2010-) - RP55 - F75

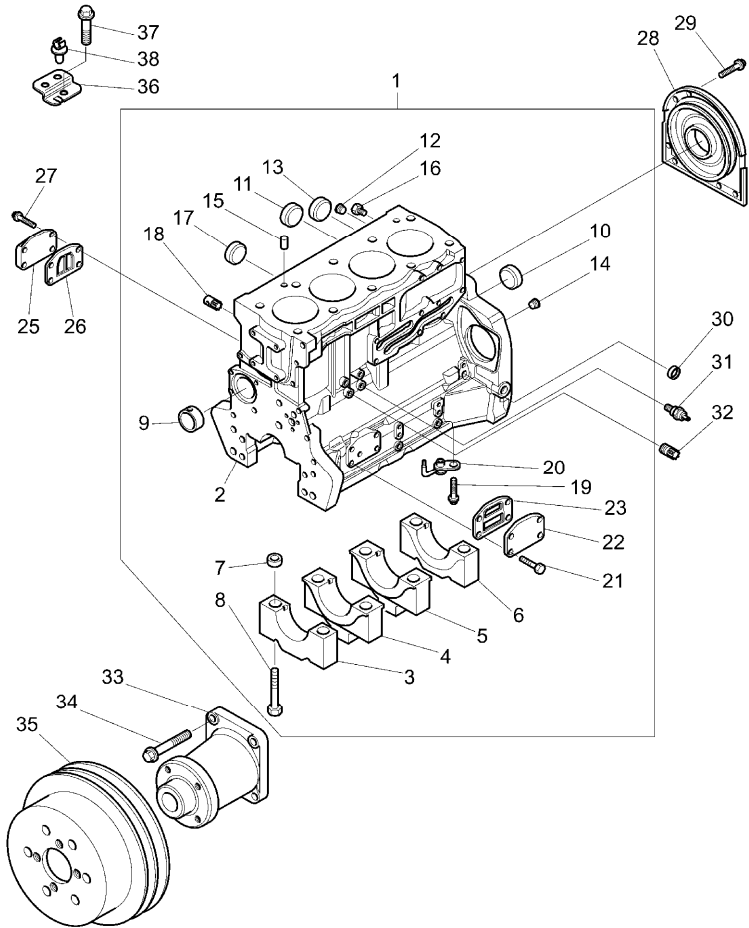
RP55\00010995.png

A-05
02



A0502

Cylinder block



		Inglese		
19	2314F001	!	1	4 Screw
20	2113A001	!	1	4 Atomiser
		●	2113A003(4)	
21	2314H033	!	1	4 Screw
22	3623A009	!	1	1 Plate
		T-A	0:50	
23	3688A039	!	1	1 Gasket
		T-A	0:50	
25	3753A071			1 Coperch.
26	3688A041	T-A	0:50	1 Ring
27	2314H034			4 Screw
28	2418F704	(X)	0.1.3.	1 Housing
		T-A	11:0	
29	3211C002			10 Screw
30	2485A109			1 Plug
31	2848062	●	4172E054(1)	1 Switch
		A		
		T-A	0:25	
32	3212V005			1 Plug
33	4113K005	T-A	2:0	1 Housing
34	2314J005			4 Screw
35	3115C111	T-A	2:0	1 Pulley
36	3653A017			1 Stirrup
37	2314H002			1 Screw
38	2481D556	●	2481D558(1)	1 Clip

Engine

F Top Restyling (2010-) - RP55 - F75

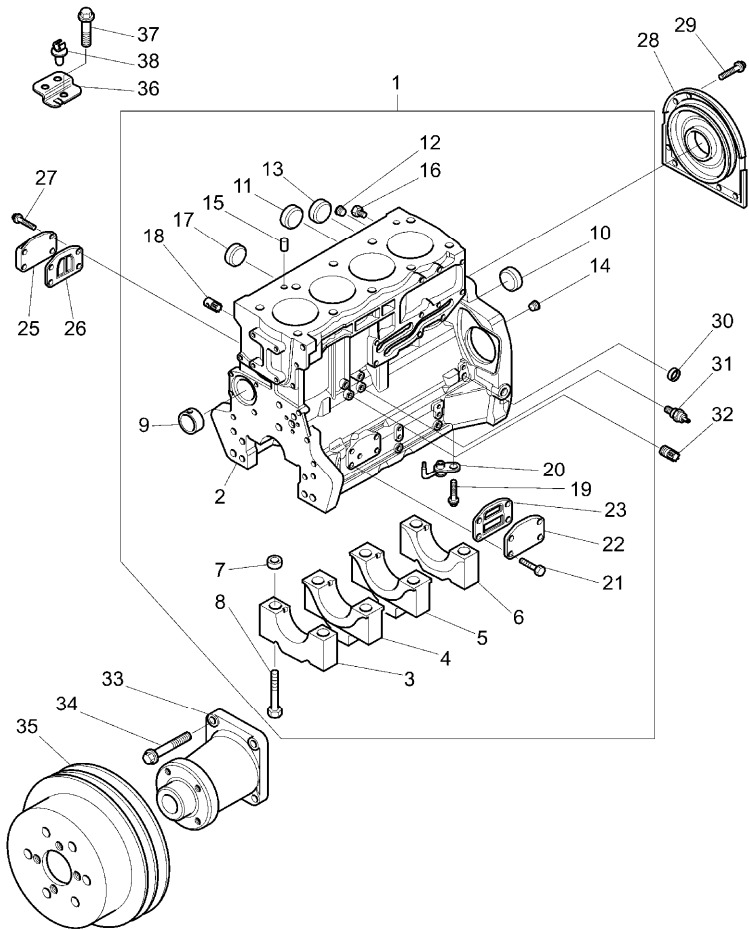
A-05
02





A0502

Cylinder block

RP55\00010995.png



- ! This is a component of an assembly
-  Not serviced, order
-  Replacement
- (X) Qty per tractors sold (aa.bbb.ccc.ddd) (aa) for 1,(bbb) 2-10 (ccc) 11-25 (ddd) 26-50
- T-A Replacement
- A Oil pressure

Engine

F Top Restyling (2010-) - RP55 - F75

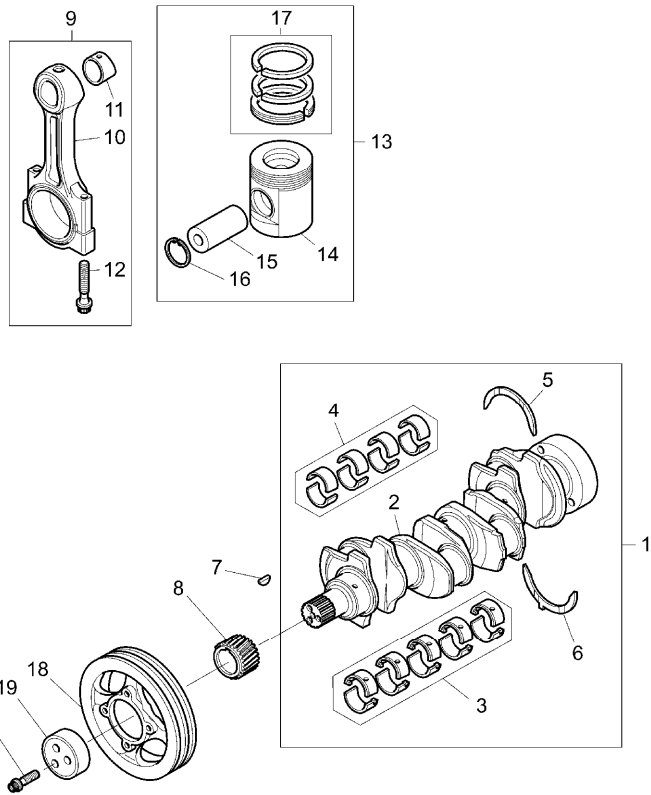
RP55\00010997.png

A-05
03



A0503

Crankshaft, pistons and connecting rods



Inglese

- | | | | | | |
|---|-----------|-----|--------------|---|------------|
| 1 | ZZ90224 | ➔ | U491476 t | 1 | Kit |
| | | ● | ZZ90239(1) | | |
| | | T-A | 18:50 | | |
| 1 | ZZ90237 | ➔ | U491477 t | 1 | Shaft |
| 2 | | ! | 1 | 1 | Crankshaft |
| | | ➔ | Zz90224 | | |
| 3 | U5MB0018 | ! | 1 | 1 | Kit |
| | | ➔ | U491476 t | | |
| | | ● | U5MB0033(1) | | |
| | | T-A | 18:50 | | |
| 3 | U5MB0018A | ⚡ | (+)0.010" | 1 | Kit |
| | | ! | 1 | | |
| | | ➔ | U491476 t | | |
| | | ● | U5MB0033A(1) | | |
| | | T-A | 18:50 | | |
| 3 | U5MB0018B | ⚡ | (+)0.020" | 1 | Kit |
| | | ! | 1 | | |
| | | ➔ | U491476 t | | |
| | | ● | U5MB0033B(1) | | |
| | | T-A | 18:50 | | |
| 3 | U5MB0018C | ⚡ | (+)0.030" | 1 | Kit |
| | | ! | 1 | | |
| | | ➔ | U491476 t | | |
| | | ● | N.L.A.(1) | | |
| | | T-A | 18:50 | | |

Engine

F Top Restyling (2010-) - RP55 - F75

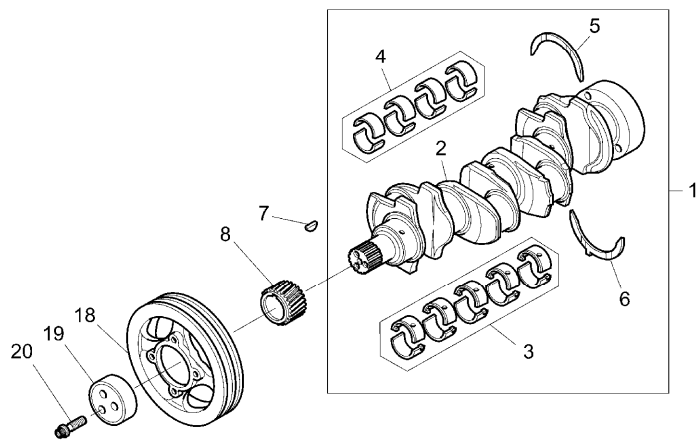
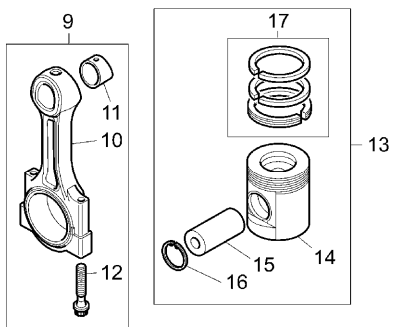
RP55\00010997.png

A-05
03



A0503

Crankshaft, pistons and connecting rods



Inglese

3	U5MB0033	!	1	1 Kit
		➔	U491477 t	
3	U5MB0033A	!	1	1 Kit
		⊗	-0,25mm	
		➔	U491477 t	
3	U5MB0033B	!	1	1 Kit
		⊗	-0,50mm	
		➔	U491477 t	
3	U5MB0033C	!	1	1 Kit
		⊗	-0,75mm	
		➔	U491477 t	
		●	N.L.A.(1)	
4	T400002	!	1	1 Kit
		➔	U491477 t	
		●	T410927(1)	
4	U5ME0026	!	1	1 Kit
		➔	U491476 t	
		●	U5ME0034(1)	
		T-A	18:50	
4	U5ME0026A	!	1	1 Kit
		⊗	+0,25mm	
		➔	U491476 t	
		●	U5ME0034A(1)	
		T-A	18:50	

Engine

F Top Restyling (2010-) - RP55 - F75

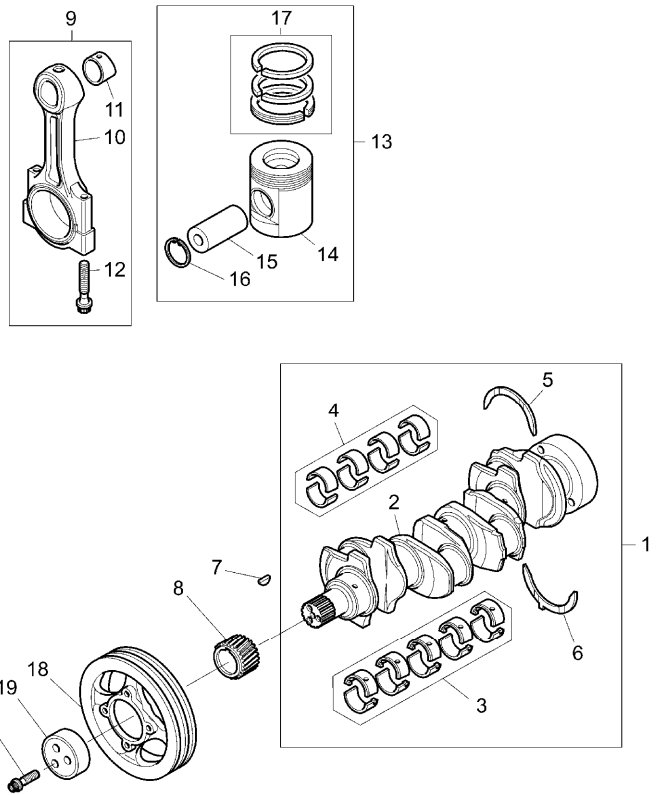
RP55\00010997.png

A-05
03



A0503

Crankshaft, pistons and connecting rods



Inglese

4	U5ME0026B	!	1	1 Kit
		⚡	+0,50mm	
		➡	U491476 t	
		●	U5ME0034B(1)	
		T-A	18:50	
4	U5ME0026C	!	1	1 Kit
		⚡	+0,75mm	
		➡	U491476 t	
		●	U5ME0034C(1)	
		T-A	18:50	
5	31137312	⚡	(+)0.007"	2 Ring
		!	1	
		T-A	18:50	
5	31137551	!	1	2 Washer
		T-A	18:50	
6	31137322	⚡	(+)0.007"	2 Ring
		!	1	
		T-A	18:50	
6	31137561	!	1	2 Washer
		T-A	18:50	
7	0500012			1 Key
8	3117C221	T-A	13:0	1 Gear
9	4115C311	➡	U491476 t	4 Kit
		F		
		T-A	17:0	

Engine

F Top Restyling (2010-) - RP55 - F75

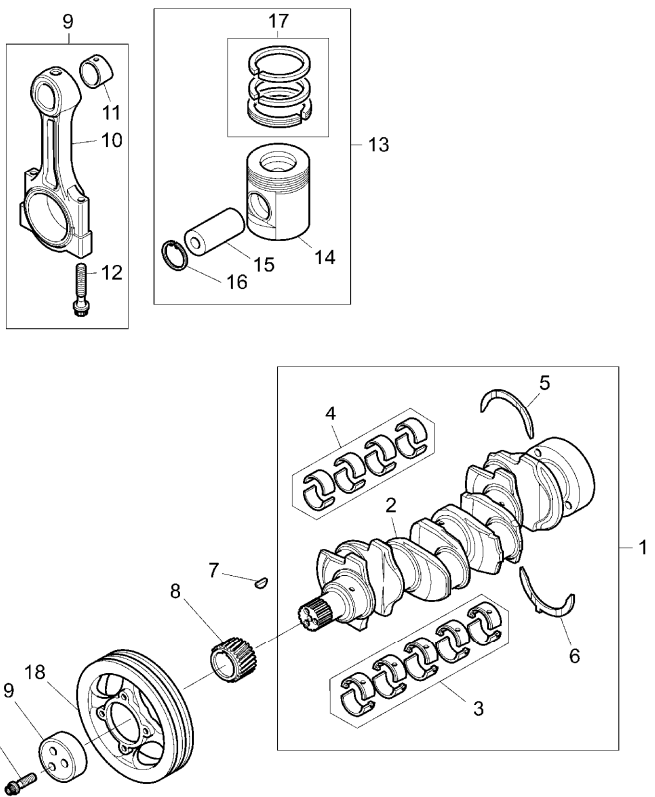
RP55\00010997.png

A-05
03



A0503

Crankshaft, pistons and connecting rods



Inglese

9	4115C312	➡	U491476 t	4	Kit
			E		
			T-A 17:0		
9	4115C313	➡	U491476 t	4	Kit
			D		
			T-A 17:0		
9	4115C314	➡	U491476 t	4	Kit
			C		
			T-A 17:0		
9	4115C315	➡	U491476 t	4	Kit
			B		
			T-A 17:0		
9	4115C316	➡	U491476 t	4	Kit
			A		
			T-A 17:0		
9	4115C361	➡	U491477 t	4	Conrod
			F		
9	4115C362	➡	U491477 t	4	Conrod
			E		
9	4115C363	➡	U491477 t	4	Conrod
			D		
9	4115C364	➡	U491477 t	4	Conrod
			C		
9	4115C365	➡	U491477 t	4	Conrod
			B		

Engine

F Top Restyling (2010-) - RP55 - F75

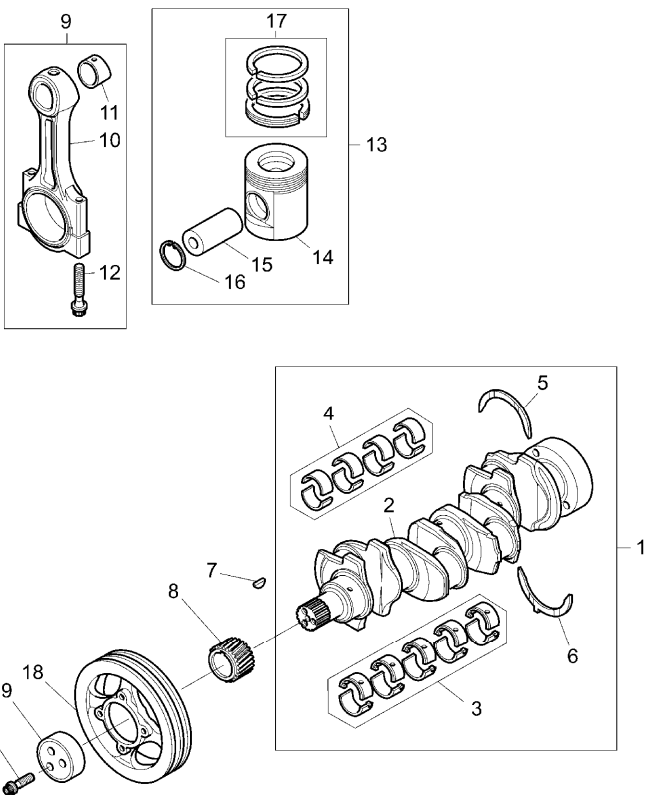
RP55\00010997.png

**A-05
03**



A0503

Crankshaft, pistons and connecting rods



		Inglese	
9	4115C366	➔ U491477 t	4 Conrod
		A	
10		! 9	1 Conrod
		➔ Ref.n.9	
11	3112A005	! 9	1 Bush
		T-A 17:0	
12	3212V003	! 9	2 Screw
		➔ U491476 t	
12	T400001	! 9	2 Screw
		➔ U491477 t	
13	4115P011	T-A 17:0	4 Kit
14		! 13	1 Piston
		➔ 4115p011	
15		! 13	1 Pin
		➔ 4115p011	
16	2721332	! 13	2 Ring
17	UPRK0003	! 13	1 Kit
		(X) 1.2.5.	
		T-A 17:0	
18	3115A141	➔ U491477 t	1 Pulley
18	3115T051	➔ U491476 t	1 Pulley
		T-A 2:0	
19	3241N001	➔ U491476 t	1 Block
		T-A 2:0	
20	32186137	➔ U491476 t	3 Screw
20	32186146	➔ U491477 t	3 Bolt

Engine

F Top Restyling (2010-) - RP55 - F75

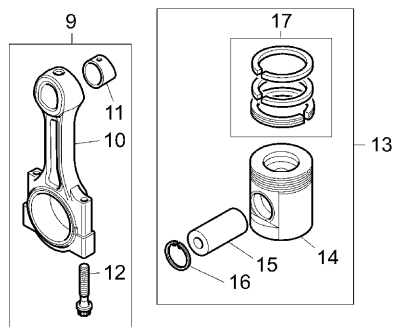
A-05
03



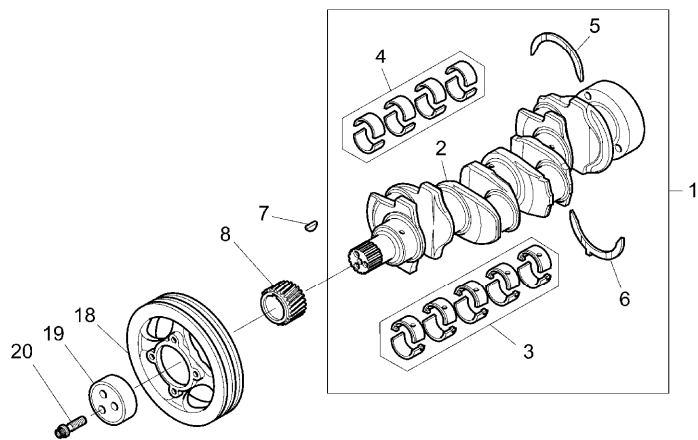
A0503

Crankshaft, pistons and connecting rods

RP55\00010997.png



- ! This is a component of an assembly
- ➔ From serial or engine number
- ➡ Up to serial or engine number
- 🛑 Not serviced, order
- ⚡ Shim
- Replacement
- (X) Qty per tractors sold (aa.bbb.ccc.ddd) (aa) for 1,(bbb) 2-10 (ccc) 11-25 (ddd) 26-50
- T-A Replacement
- A Blue
- B Purple
- C Green
- D White
- E Orange
- F Red



Engine

F Top Restyling (2010-) - RP55 - F75

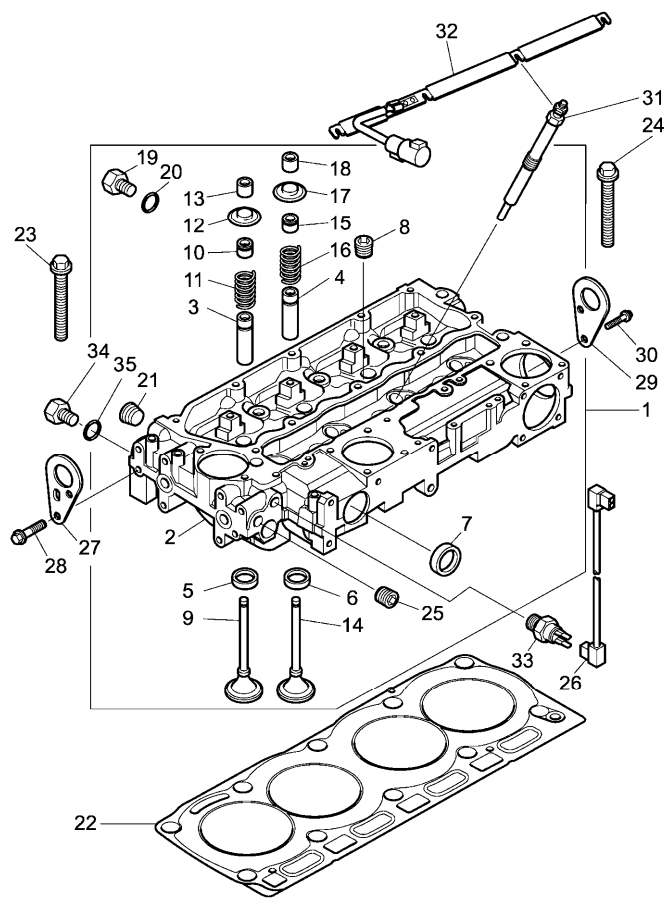
RP55\00010998.png

**A-05
04**



A0504

Cylinder head



1	ZZ80270	
2		! 1
3	3313A012	! 1 T-A 7:50
4	3313A012	! 1 T-A 7:50
5	3314A241	! 1 T-A 7:50
6	3314A231	! 1 T-A 7:50
7	32416117	! 1 T-A 1:0
8	0650588	! 1 T-A 0:50
9	3142H071	! 1 T-A 7:50
10	2418M519	! 1 T-A 3:0
11	3174A016	! 1 T-A 3:0
12	3342A011	! 1 T-A 3:0
13	3142W004	! 1 T-A 3:0

Inglese

1	Cylinder head
1	Head
4	Insert
4	Insert
4	Insert
4	Insert
2	Plug
4	Plug
4	Valve
4	Ring
4	Spring
4	Cover
8	Cotter

Engine

F Top Restyling (2010-) - RP55 - F75

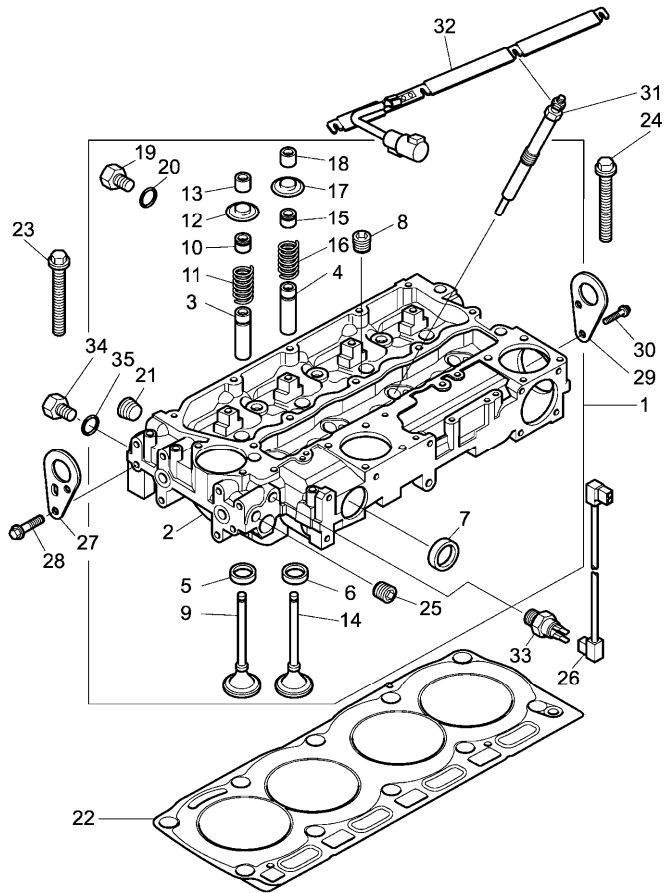
RP55\00010998.png

A-05
04



A0504

Cylinder head



		Inglese		
14	3142A151	!	1	4 Valve
		T-A	7:50	
15	2418M517	!	1	4 Ring
		T-A	3:0	
16	3174A016	!	1	4 Spring
		T-A	3:0	
17	3342A011	!	1	4 Cover
		T-A	3:0	
18	3142W004	!	1	8 Cotter
		T-A	3:0	
19	3278A006	!	1	1 Plug
20	2415H003	!	1	1 Ring
21	2431154	!	1	1 Plug
22	3681E051	T-A	4:0	1 Gasket
23	3218A011			7 Screw
24	3218A012			3 Screw
25	2431154			1 Plug
26	3161C017	T-A	0:25	1 Cable
27	3617A015			1 Stirrup
28	2314J002			2 Screw
29	3617A015	T-A	3:0	1 Stirrup
30	2314J002			2 Screw
31	2666A016	T-A	0:75	4 Spark plug
32	3161C019	●	T409642(1)	1 Bar
		T-A	0:75	

Engine

F Top Restyling (2010-) - RP55 - F75

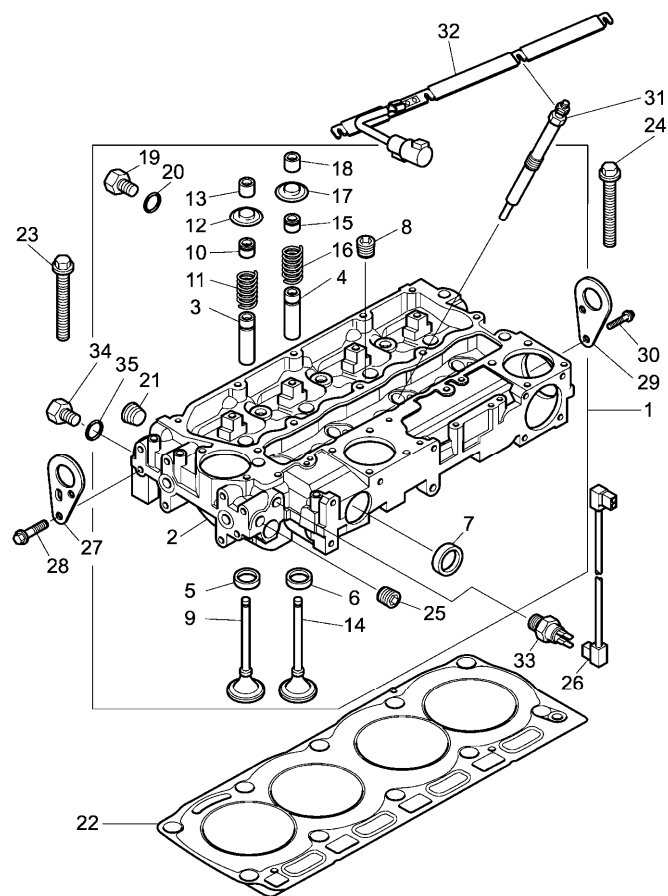
**A-05
04**

Cylinder head



A0504

RP55\00010998.png



Inglese

- 33 2848A127 A 1 Sensor
- T-A 0:25
- 34 3278A006 1 Plug
- 35 2415H003 1 Ring

! This is a component of an assembly

➡ Not serviced, order

● Replacement

T-A Replacement

A Water temperature

Engine

F Top Restyling (2010-) - RP55 - F75

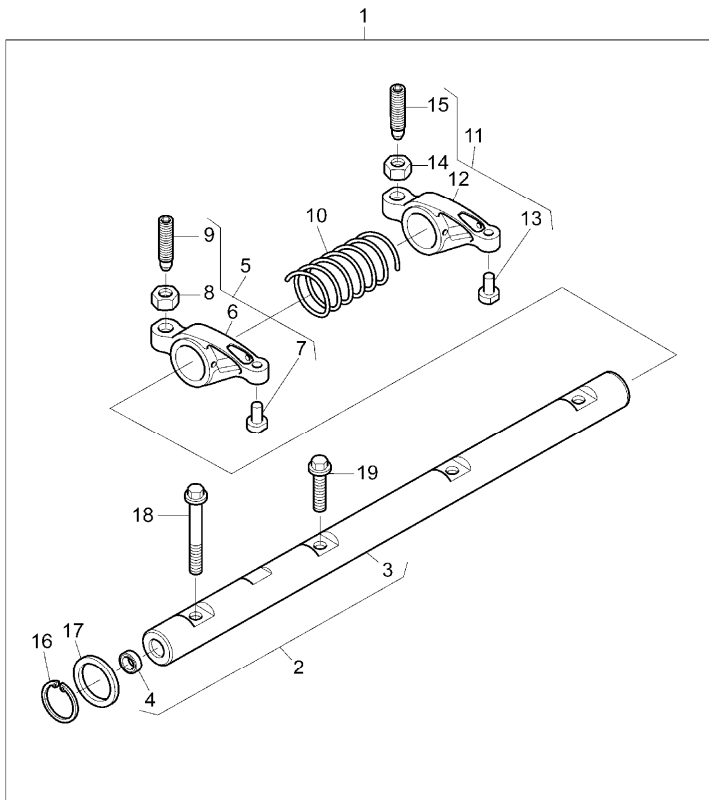
RP55\00010999.png

A-05
05



A0505

Rocker shaft



				Inglese
1	4115R612	T-A 4:0		1 Shaft
2	4115R703	! 1		1 Shaft
		T-A 4:0		
3		! 2		1 Shaft
		➡ 4115r703		
4	2485A104	! 2		2 Plug
		T-A 4:0		
5	4115R314	! 1		3 Rocker
		T-A 4:0		
6		! 5		1 Rocker
		➡ 4115r314		
7		! 5		1 Shim
		➡ 4115r314		
8	0576052	! 5		1 Nut
9	32114145	! 5		1 Screw
10	3174A015	! 1		2 Spring
		T-A 4:0		
11	4115R315	! 1		3 Rocker
		T-A 4:0		
12		! 11		1 Rocker
		➡ 4115r315		
13		! 11		1 Shim
		➡ 4115r315		
14	0576052	! 11		1 Nut
15	32114145	! 11		1 Screw
		T-A 1:25		

Engine

F Top Restyling (2010-) - RP55 - F75

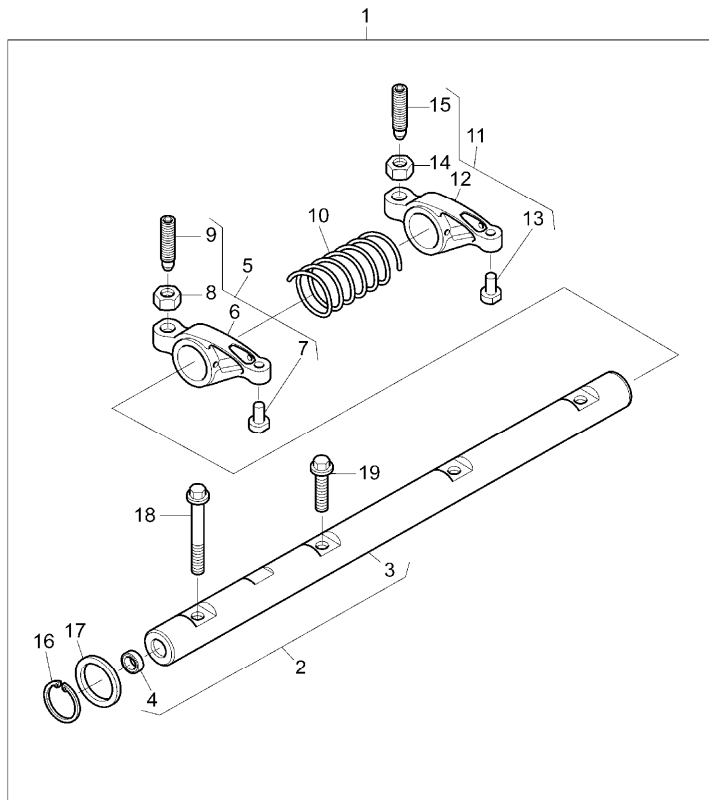
RP55\00010999.png

A-05
05



A0505

Rocker shaft



16 2722A022 ! 1

17 2134A502 ! 1

T-A 4:0

18 2316A901 ! 1

19 2316A902 ! 1

! This is a component of an assembly

Not serviced, order

T-A Replacement

Inglese

2 Ring

2 Washer

1 Screw

2 Screw

Engine

F Top Restyling (2010-) - RP55 - F75

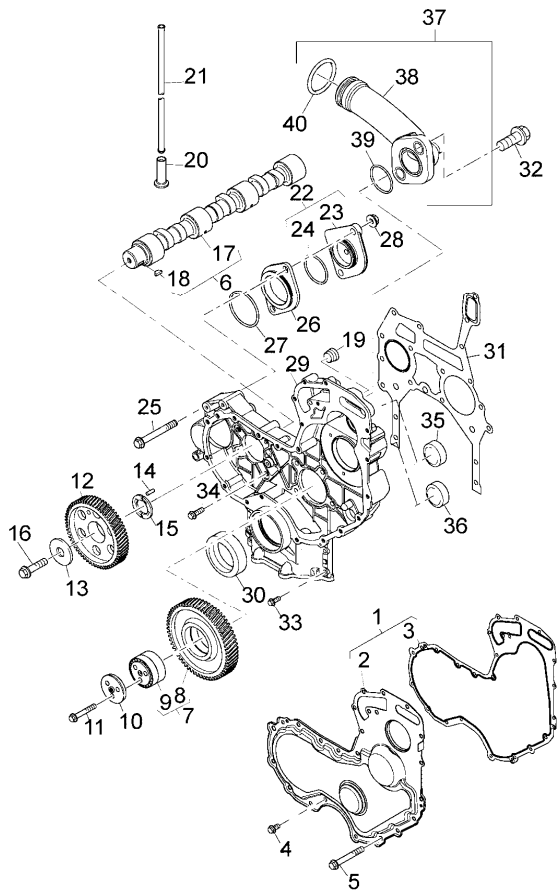
RP55\00040014.png

**A-05
06**



A0506

Timing gear and camshaft



		Inglese	
1	4142A503	T-A 4:50	1 Kit
2		! 1	1 Overlay
		➡ Ref.n.1	
3	3681P046	! 1	1 Gasket
		(X) 1.3.5.	
		T-A 4:50	
4	2314H002		9 Screw
5	2314H012		5 Screw
6	4112K041	T-A 14:0	1 Shaft
7	4111A042	● 4111A048(1)	1 Gear
		T-A 4:75	
8		! 7	1 Gear
		➡ Ref.n.7	
9		! 7	1 Hub
		➡ Ref.n.7	
		T-A 4:75	
10	3321A012	T-A 4:75	1 Plate
11	2314J012		3 Screw
12	3117L272	T-A 4:75	1 Gear
13	3321A003	T-A 4:75	1 Washer
14	2116053		1 Pin
15	3112X011	T-A 4:75	1 Washer
16	2314J606		1 Screw
17		! 6	1 Shaft
		➡ Ref.n.6	

Engine

F Top Restyling (2010-) - RP55 - F75

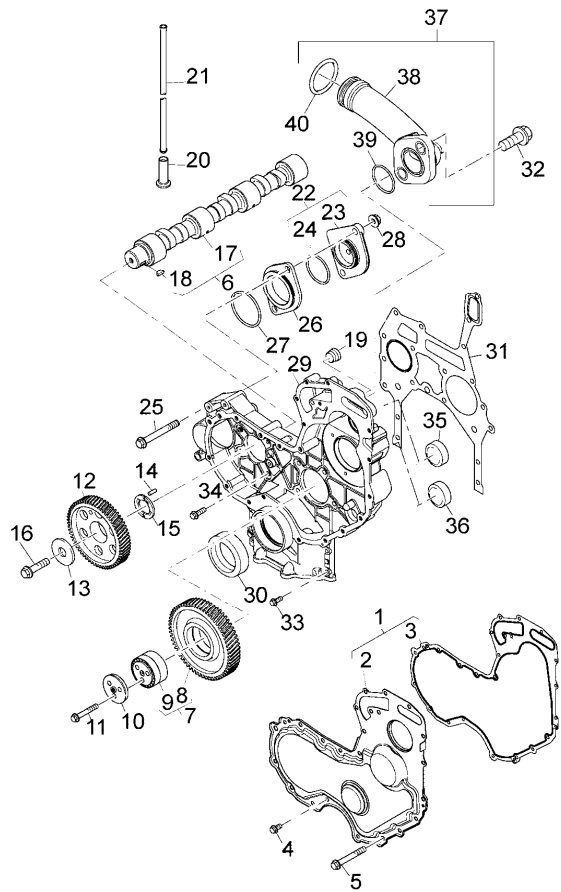
RP55\00040014.png

**A-05
06**



A0506

Timing gear and camshaft



		Inglese		
18	0500012	!	6	1 Key
20	3142U991	T-A	14:25	8 Tappet
21	31434307	T-A	2:75	8 Rod
22	4148K012	T-A	4:75	1 Plate
23		!	22	1 Plate
		➡	Ref.n.22	
24	2415H510	!	22	1 Ring
		●	2415H515(1)	
		T-A	4:75	
25	2314J014	T-A	4:75	2 Screw
26	3617a044	T-A	4:75	1 Disc
27	2415H516	T-A	4:75	1 Ring
28	2318A604			2 Nut
29	3716C581	T-A	4:75	1 Housing
30	2418F437	T-A	4:75	1 Seal
31	3681P053	T-A	4:75	1 Gasket
32	2314H003			2 Screw
33	2314H034			4 Screw
34	2314H003			6 Screw
34	2314H006			2 Screw
35	2485A124			1 Plug
36	2485A118			1 Plug
37	4133L048	T-A	4:75	1 Connection
38		!	37	1 Connection
		➡	Ref.n.37	

Engine

F Top Restyling (2010-) - RP55 - F75

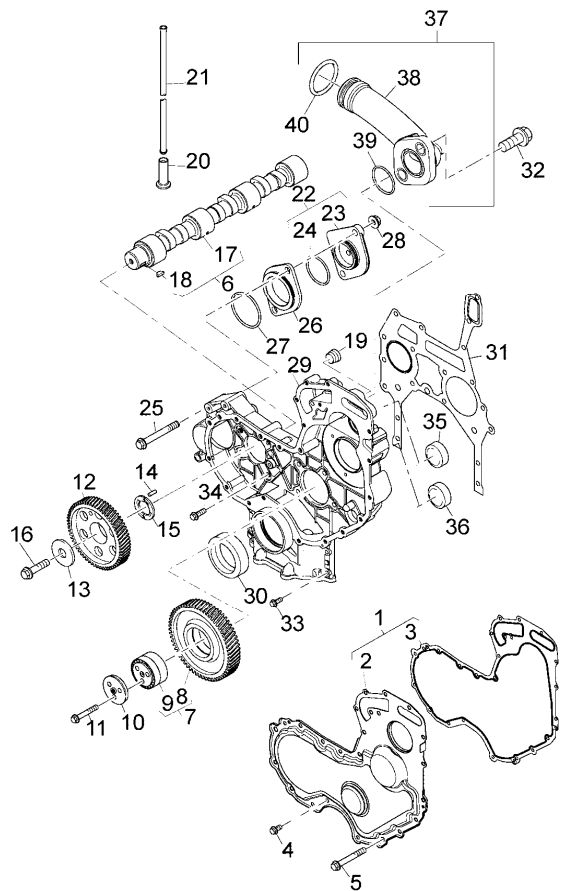
RP55\00040014.png

A-05
06



A0506

Timing gear and camshaft



Inglese

39	2418F001	!	37	1	Ring
			T-A 4:75		
40	2418F002	!	37	1	Ring
			T-A 4:75		

! This is a component of an assembly

Not serviced, order

Replacement

(X) Qty per tractors sold (aa.bbb.ccc.ddd) (aa) for 1,(bbb) 2-10 (ccc) 11-25 (ddd) 26-50

T-A Replacement

Engine

F Top Restyling (2010-) - RP55 - F75

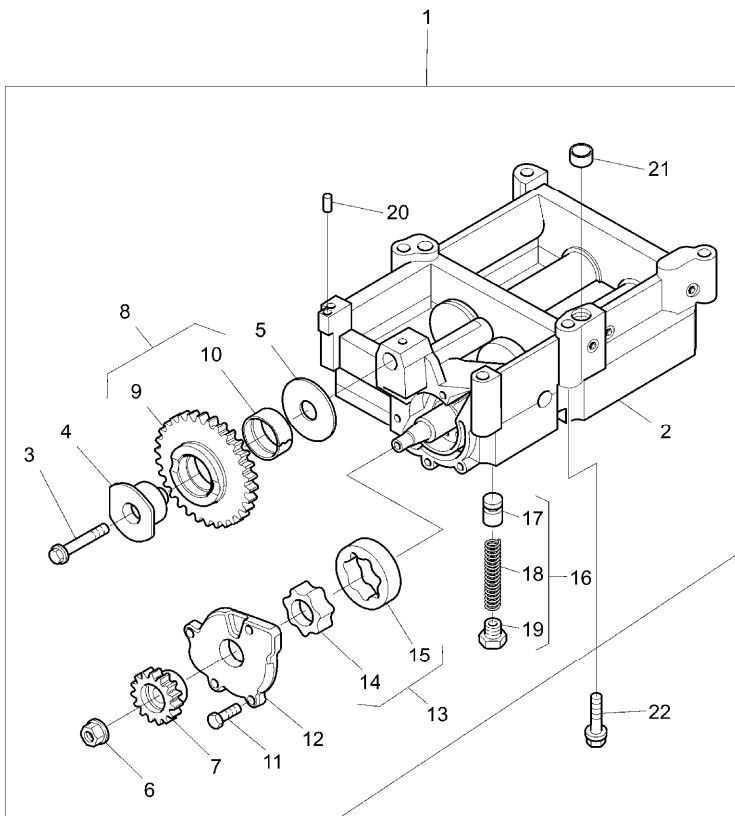
RP55\00011001.png

A-05
07



A0507

Oil pump

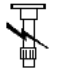


				Inglese
1	4111K073	T-A 4:0		1 Balancer
		T-B 5:0		
2	!	1		1 Frame
	➡	4111k073		
3	2314H951	!	1	1 Screw
4	3272A022	!	1	1 Shaft
		T-A 5:0		
5	3321A006	!	1	1 Washer
		T-A 5:0		
6	2318F605	!	1	1 Nut
7	3117A101	!	1	1 Gear
		T-A 5:0		
8	4111A029	!	1	1 Gear
		T-A 5:0		
9	!	8		1 Gear
	➡	4111a029		
10	3112D031	!	8	1 Cuscinet
	●	N.L.A.(1)		
		T-A 5:0		
11	2314C945	!	1	5 Screw
12	3753R351	!	1	1 Cover
		T-A 5:0		
13	4111K068	!	1	1 Rotor
		T-A 5:0		
14	!	13		1 Rotor
	➡	4111k068		

Engine

F Top Restyling (2010-) - RP55 - F75

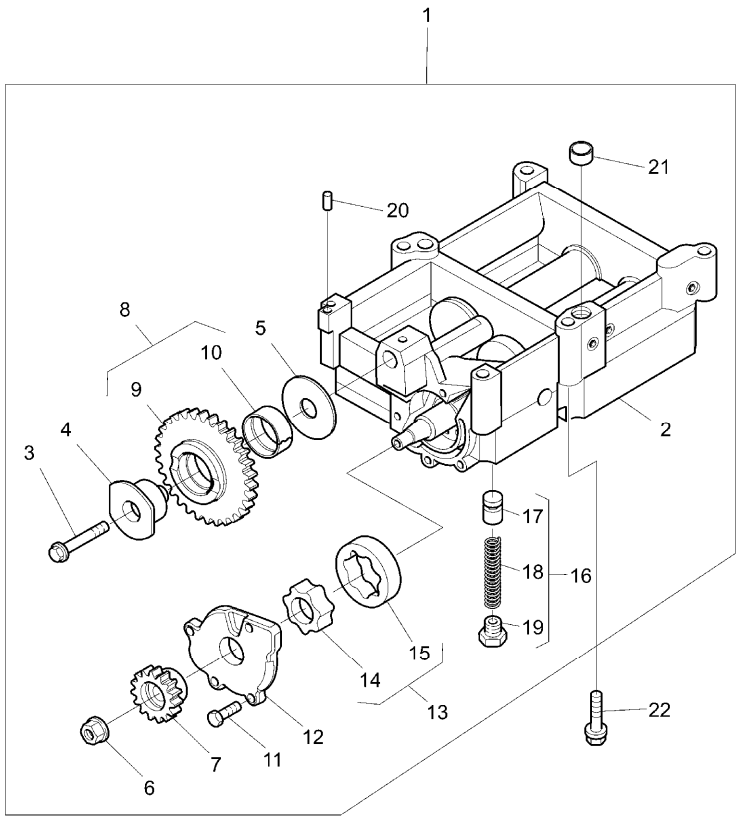
**A-05
07**



A0507

Oil pump

RP55\00011001.png



		Inglese	
15	!	13	1 Rotor
	▶	4111k068	
16	U5MK0695	!	1 Valve
	T-A	5:0	
17	3245A002	!	1 Contact
	T-A	5:0	
18	3174A021	!	1 Spring
	T-A	5:0	
19	3218A013	!	1 Plug
20	3244A013	!	1 Dowel
21	33137409	!	1 Shim
22	2314J012		6 Screw
!			
! This is a component of an assembly			
▶ Not serviced, order			
● Replacement			
T-A Replacement			
T-B Overhaul			

Engine

F Top Restyling (2010-) - RP55 - F75

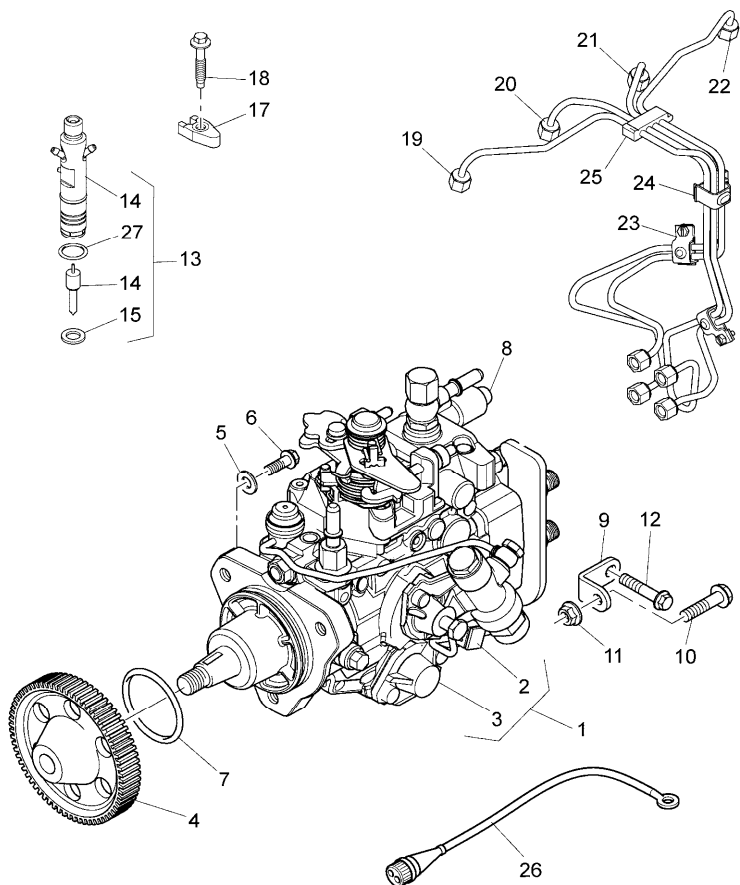
RP55\000015026.png

**A-05
08**



A0508

Fuel injection equipment (diesel)



		Inglese	
1	2644N201	➡ U128374 I ● 2644N201/22(1) T-A 5:0	1 Pump
1	2644N207	➡ U128375 I ● N.L.S.(1)	1 Pump
2		! 1	1 Pump
3		➡ Ref.n.1 ! 1 C (X) 0.1.3.	1 Solenoid
4	3117L251	T-A 4:50	1 Pinion
5	2411D008		3 Washer
6	2314H004		3 Screw
7	2415H548	T-A 4:50	1 Ring
8	2487D002		1 Cover
9	3641A007		1 Stirrup
10	2314H003		1 Screw
11	2318A603		1 Nut
12	2314J002		1 Screw
13	2645K016		4 Atomiser
14		! 13 ➡ Ref.n.13	1 Support

Engine

F Top Restyling (2010-) - RP55 - F75

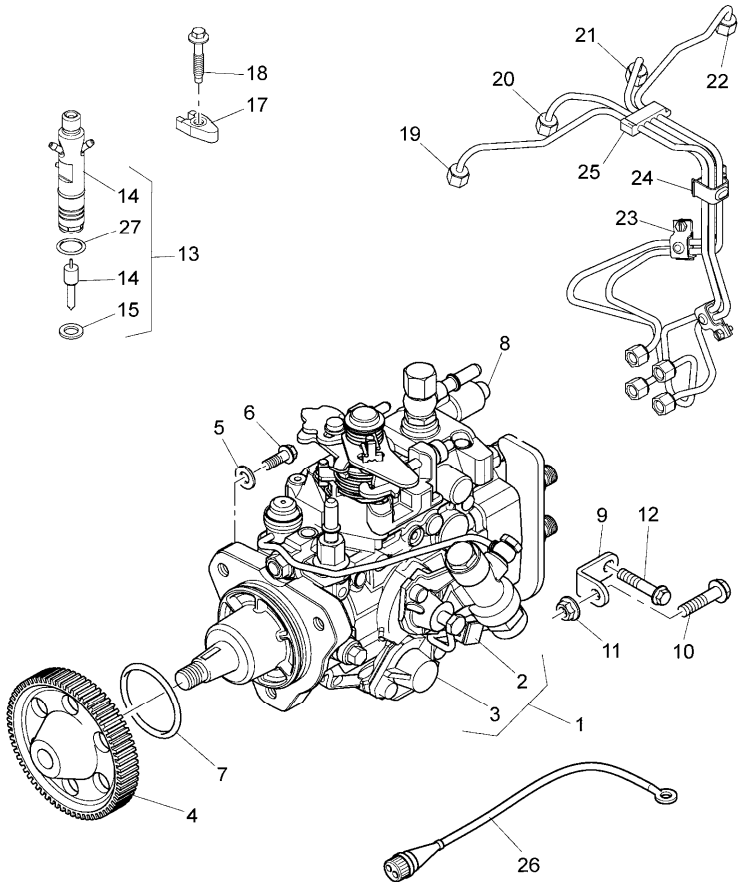
RP55\000015026.png

**A-05
08**



A0508

Fuel injection equipment (diesel)



		Inglese	
15	!	13	1 Nozzle
	C		
	(X)	1.2.5.	
	T-A	2:0	
16	L311FF02	!	13
		T-A	2:0
17	3751A241	T-A	2:0
18	2314W009		4 Clamp
19	3525A091	T-A	0:25
20	3525A092	T-A	0:25
21	3525A093	T-A	0:25
22	3525A094	T-A	0:25
23	2481Y011	T-A	0:25
24	2481Y012	T-A	0:25
25	2646E019	T-A	0:25
26	3673286M91	T-A	0:25
27	26460064		1 Washer
!	This is a component of an assembly		
➔	From serial or engine number		
➡	Up to serial or engine number		
🔧	Not serviced, order		
🔄	Replacement		
(X)	Qty per tractors sold (aa.bbb.ccc.ddd) (aa) for 1,(bbb) 2-10 (ccc) 11-25 (ddd) 26-50		
T-A	Replacement		
C	To be advised		

Engine

F Top Restyling (2010-) - RP55 - F75

RP55\00009132.png

A-05
085



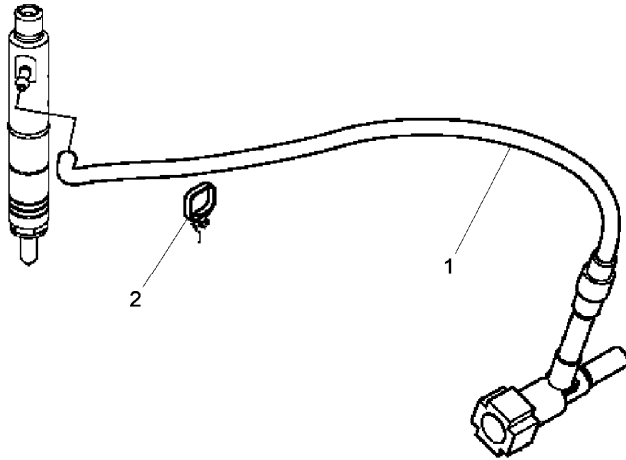
A05085

Fuel pipe

Inglese

- ➡ U180229 I
- 1 3584A015
- 2 2817A001
- ➡ From serial or engine number

- 1 Pipe
- 1 Clip



Engine

F Top Restyling (2010-) - RP55 - F75

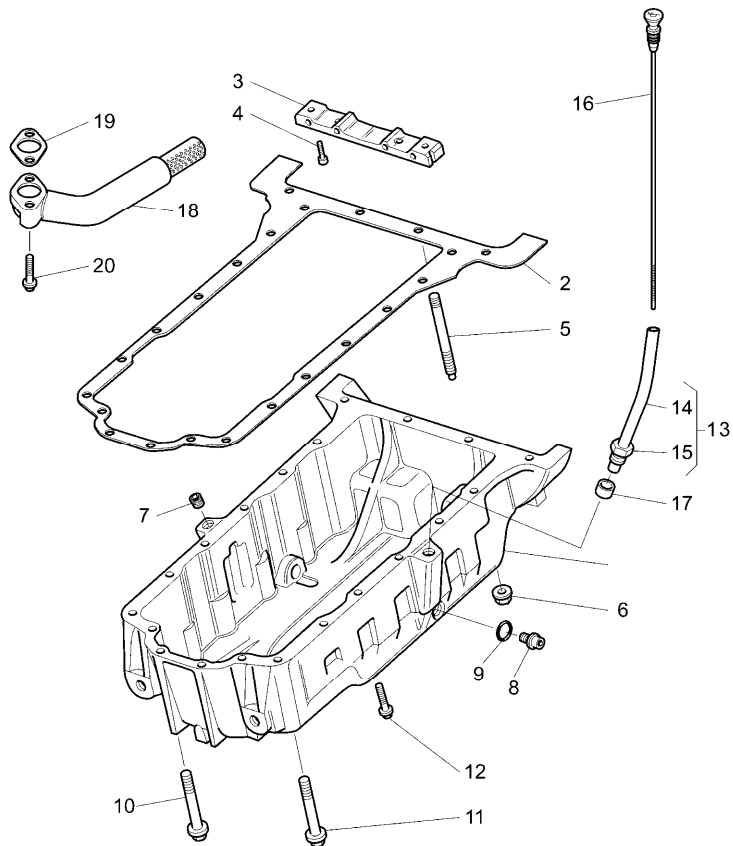
RP55\00011008.png

A-05
09



A0509

Lubricating oil sump



1	3717E271	T-A	2:0
2	3681K036	(X)	1.2.3.
		T-A	2:0
3	3627P041	T-A	2:0
4	2311D039		
5	3211P013		
6	2318A603		
7	2431A016		
8	32186405		
9	2415715		
10	2314H023		
11	2314H022	●	2314H052(1)
12	2314H015		
13	3577A159	T-A	0:25
14		!	13
		▣	3577a125
15	3353D005	!	13
16	3178C081	(X)	1.2.4.
		T-A	0:25
17	33812116	T-A	0:25
18	3765A091	T-A	2:25
19	36832137	T-A	2:25
20	2314H006		

Inglese

1	Crankcase
1	Gasket
1	Crosspiece
2	Screw
2	Stud
2	Nut
1	Plug
2	Plug
2	Ring
5	Screw
1	Screw
12	Screw
1	Pipe
1	Pipe
1	Nut
1	Rod
1	Olive
1	Pipe
1	Gasket
2	Screw

! This is a component of an assembly
 ▣ Not serviced, order

Engine

F Top Restyling (2010-) - RP55 - F75

RP55\00011008.png

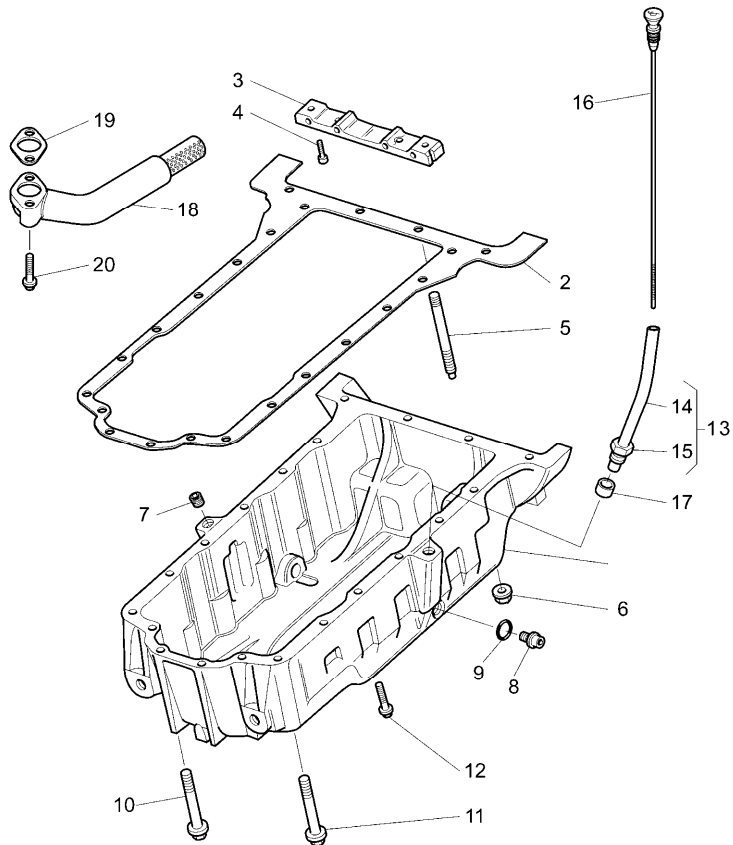
A-05
09



A0509

Lubricating oil sump

- Replacement
- (X) Qty per tractors sold (aa.bbb.ccc.ddd) (aa) for 1,(bbb) 2-10 (ccc) 11-25 (ddd) 26-50
- T-A Replacement





Suggest:

For more complete manuals. Please go to the home page.

<https://www.ebooklibonline.com>

If the above button click is invalid. Please download this document first, and then click the above link to download the complete manual.

Thank you so much for reading

Engine

F Top Restyling (2010-) - RP55 - F75

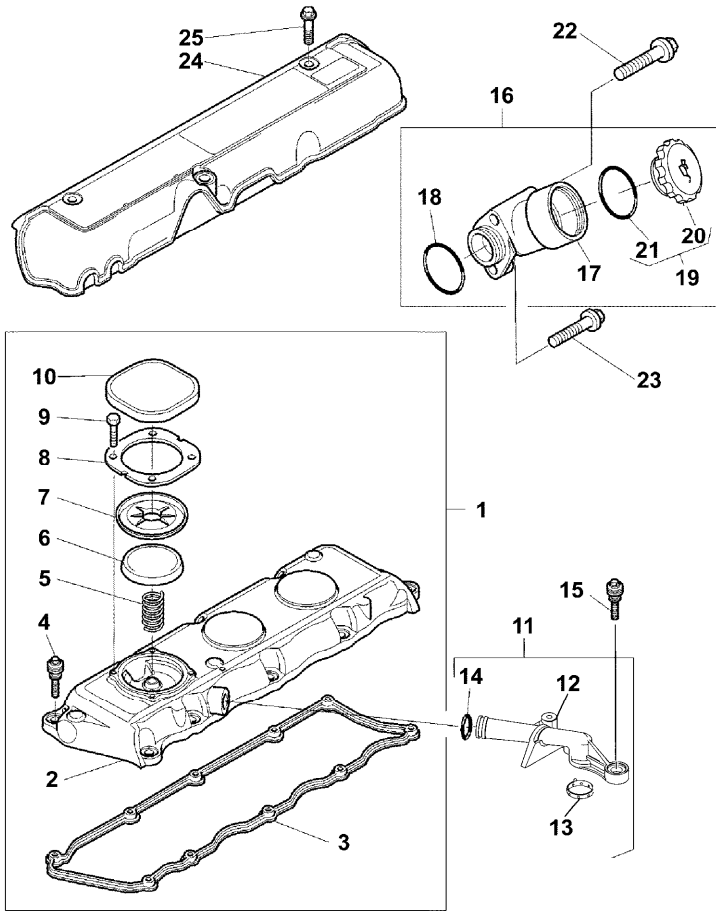
RP55\000031.995.PNG

A-05
10



A0510

Lubricating oil filler and breather



		Inglese
1	4142X322	● T417513(1) 1 Guard
		T-A 1:0
2		! 22 1 Cover
		➡ 4142x291
3	3681A055	! 22 1 Gasket
		(X) 0.1.3.
		T-A 1:0
4	2161A013	! 22 10 Screw
5	3174A017	! 22 1 Spring
		T-A 0:50
6	3788A002	! 22 1 Cap
		T-A 0:25
7	3789A001	! 22 1 Diaphragm
		T-A 0:25
8	3615A009	! 22 1 Plate
		T-A 0:25
9	2151A001	! 22 4 Screw
10	3788A003	! 22 1 Cap
		T-A 0:25
11	4134K021	T-A 0:50 1 Pipe
12		! 11 1 Pipe
		➡ 4134k014
13	2415H701	! 11 1 Ring
		T-A 0:50
14	2415A068	! 11 1 Ring
		T-A 0:50

Engine

F Top Restyling (2010-) - RP55 - F75

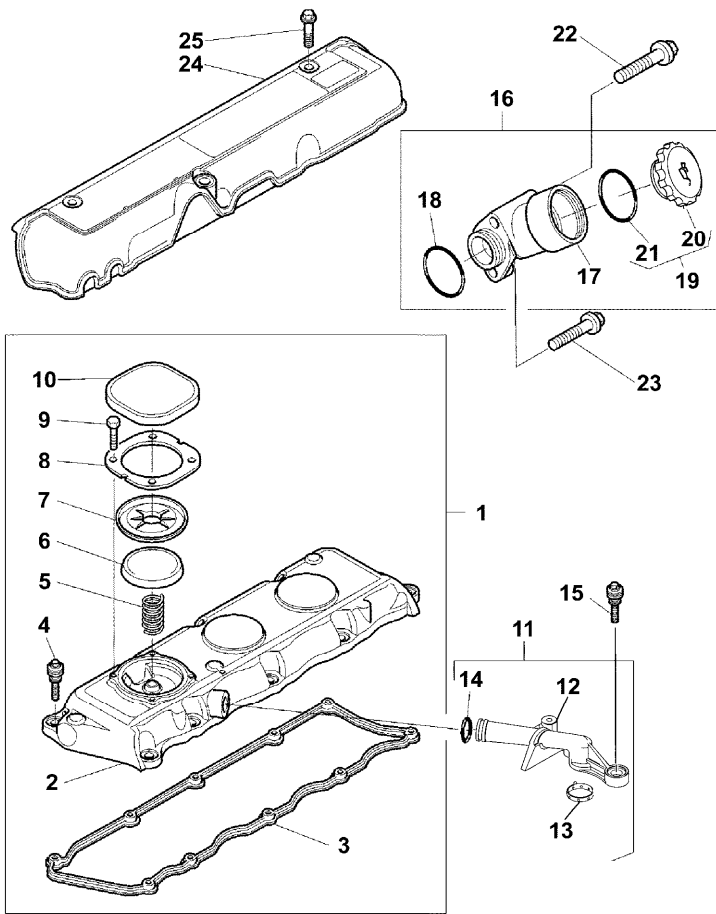
RP55\000031.995.PNG

**A-05
10**



A0510

Lubricating oil filler and breather



Inglese

15	2314F005		2	Screw
16	4134C072		1	Filler
17		! 16	1	Body
		➡ Ref.n.16		
18	2415H540	! 16	1	Ring
		T-A 0:25		
19	4142X098	! 16	1	Plug
		(X) 1.3.5.		
		T-A 0:25		
20		➡ 4142x098	1	Plug
		! 19		
21	2415633	! 19	1	O ring
		T-A 0:25		
22	2314K161		1	Screw
23	2314H005		1	Screw
24	3788N003	T-A 0:50	1	Cover
25	2314F003		3	Screw
!	This is a component of an assembly			
➡	Not serviced, order			
●	Replacement			
(X)	Qty per tractors sold (aa.bbb.ccc.ddd) (aa) for 1,(bbb) 2-10 (ccc) 11-25 (ddd) 26-50			
T-A	Replacement			

<https://www.ebooklibonline.com>

Hello dear friend!

Thank you very much for reading.

Enter the link into your browser.

The full manual is available for immediate download.

<https://www.ebooklibonline.com>