

Engine

F Top Restyling (2010- ) - RP55 - F70/GE

RP55\00005170.png

A-05  
01



A0501

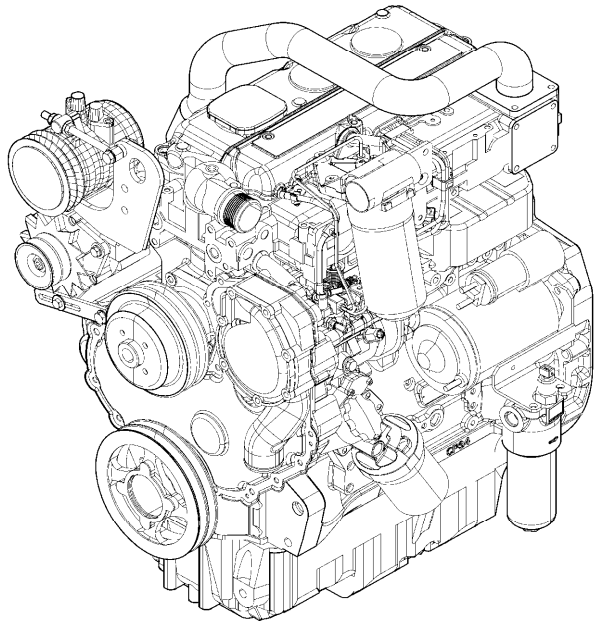
Engine assembly

Inglese

1 6506818M91

"perkins - xm5162 1 Engine  
50 kw

1



Engine

F Top Restyling (2010- ) - RP55 - F70/GE

RP55\000015152.png

A-05  
02



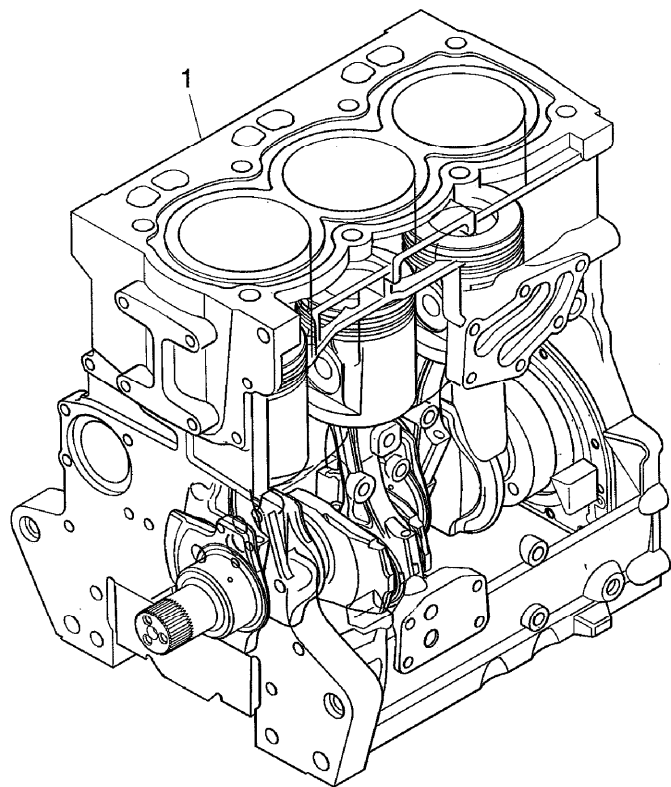
A0502

Short engine

Inglese

1 XM40012

1 Cylinder block



Engine

F Top Restyling (2010- ) - RP55 - F70/GE

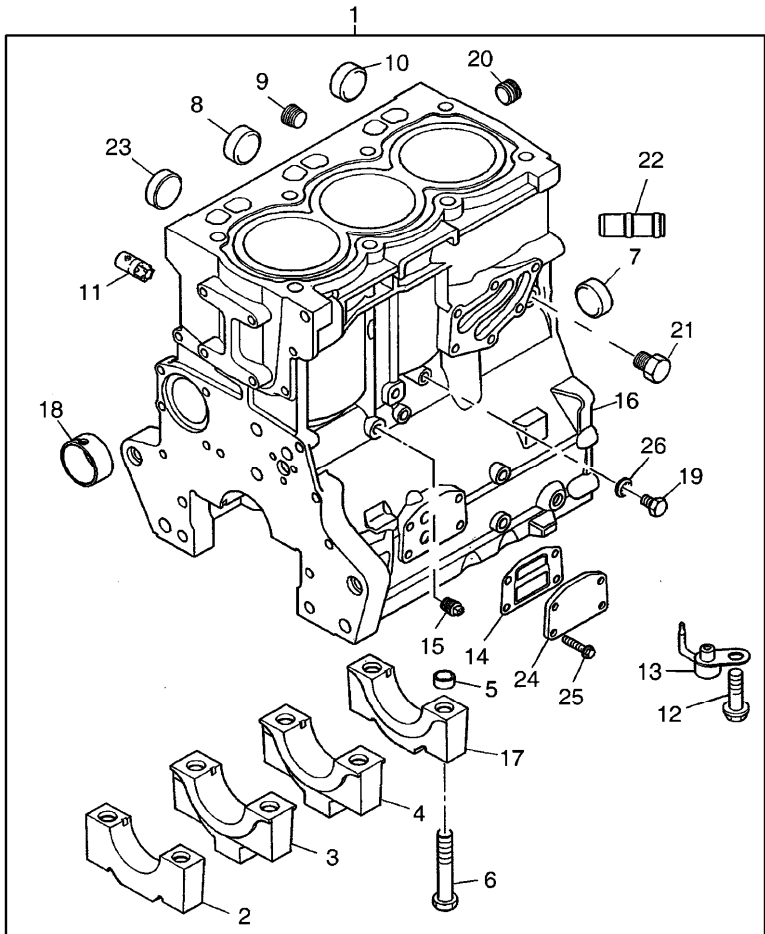
RP55\000015153.png

**A-05  
03**



A0503

Cylinder block



		Inglese	
1	4181V016	T-A 27:0	1 Cylinder block
2		! 1	1 Bearing
		➡ Ref.n.1	
3		! 1	1 Bearing
		➡ Ref.n.1	
4		! 1	1 Bearing
		➡ Ref.n.1	
5	33142111	! 1	8 Manicott
6	32166329	! 1	8 Screw
7	3241A012	! 1	1 Plug
8	3241A011	! 1	2 Plug
9	0650588	! 1	1 Plug
		T-A 0:25	
10	0650710	! 1	1 Plug
		T-A 0:25	
11	3212V006	! 1	1 Plug
12	2314F001	! 1	3 Screw
13	2113A003	! 1	3 Atomiser
14	3688A039	! 1	2 Gasket
15	0650594	! 1	1 Plug
16		! 1	1 Cylinder
		➡ Ref. n. 1	
17		! 1	1 Bearing
		➡ Ref. n. 1	

**<https://www.ebooklibonline.com>**

Hello dear friend!

Thank you very much for reading.

Enter the link into your browser.

The full manual is available for immediate download.

**<https://www.ebooklibonline.com>**

Engine

F Top Restyling (2010- ) - RP55 - F70/GE

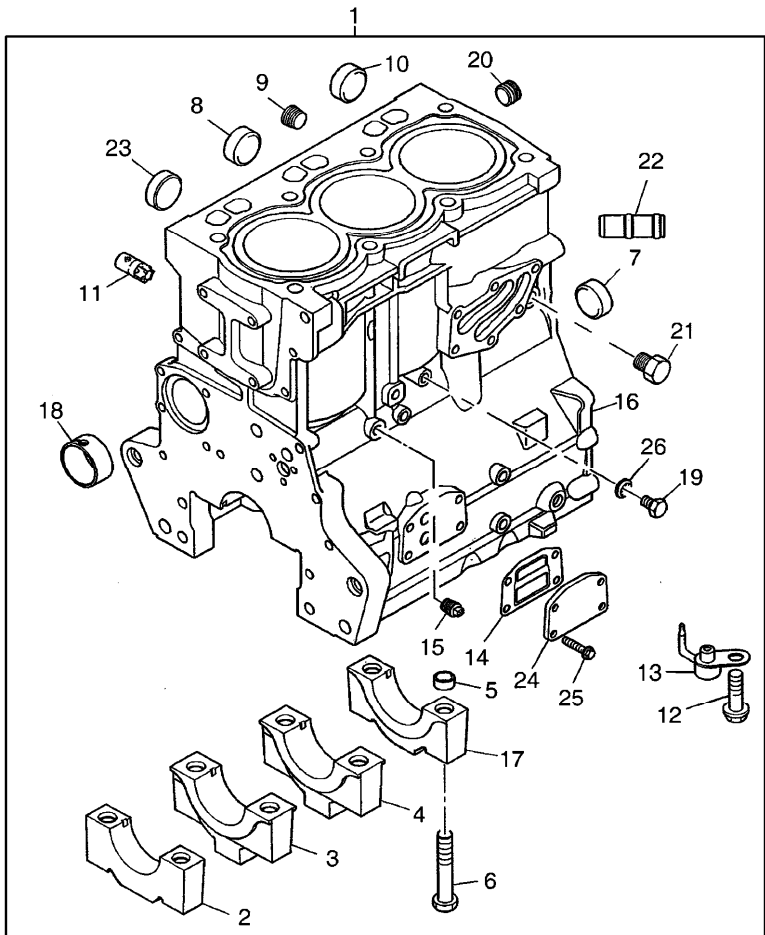
**A-05  
03**



A0503

Cylinder block

RP55\000015153.png



		Inglese		
18	3112D071	!	1	1 Bush
		●	3112D075(1)	
19	2314C049	!	1	1 Screw
20	3212P008	!	1	1 Plug
21	32141316	!	1	1 Plug
22	3313A022	!	1	1 Pipe
23	2485A108	!	1	1 Plug
24	3623A009	!	1	2 Plate
25	2314H033	!	1	8 Screw
26	2415D053	!	1	1 Washer

- ! This is a component of an assembly
- ▣ Not serviced, order
- Replacement
- T-A Replacement

Engine

F Top Restyling (2010- ) - RP55 - F70/GE

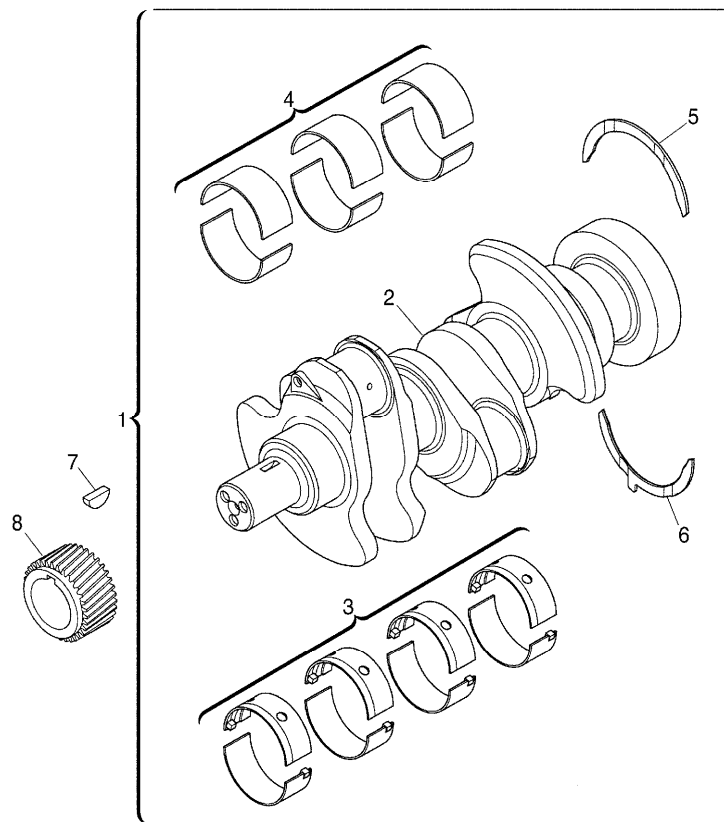
**A-05  
04**



A0504

Camshaft

RP55\000020599.png



				Inglese
1	4181V017	T-A 15:0		1 Shaft
2		! 1		1 Shaft
		➡ Ref.n.1		
3	U5MB0037	! 1		1 Kit
3	U5MB0037A	! 1		1 Kit
		⚡ -0,25mm		
3	U5MB0037B	! 1		1 Kit
		⚡ -0,50mm		
3	U5MB0037C	! 1		1 Kit
		⚡ -0,75mm		
4	U5ME0033	! 1		1 Kit
4	U5ME0033A	! 1		1 Kit
		⚡ -0,25mm		
4	U5ME0033B	! 1		1 Kit
		⚡ -0,50mm		
4	U5ME0033C	! 1		1 Kit
		⚡ -0,75mm		
5	31137312	⚡ 0.007"		2 Ring
		! 1		
		T-A 15:0		
5	31137551	! 1		2 Washer
		T-A 15:0		
6	31137322	! 1		2 Ring
		⚡ 0.007"		
		T-A 15:0		

Engine

F Top Restyling (2010- ) - RP55 - F70/GE

RP55\000020599.png

A-05  
04





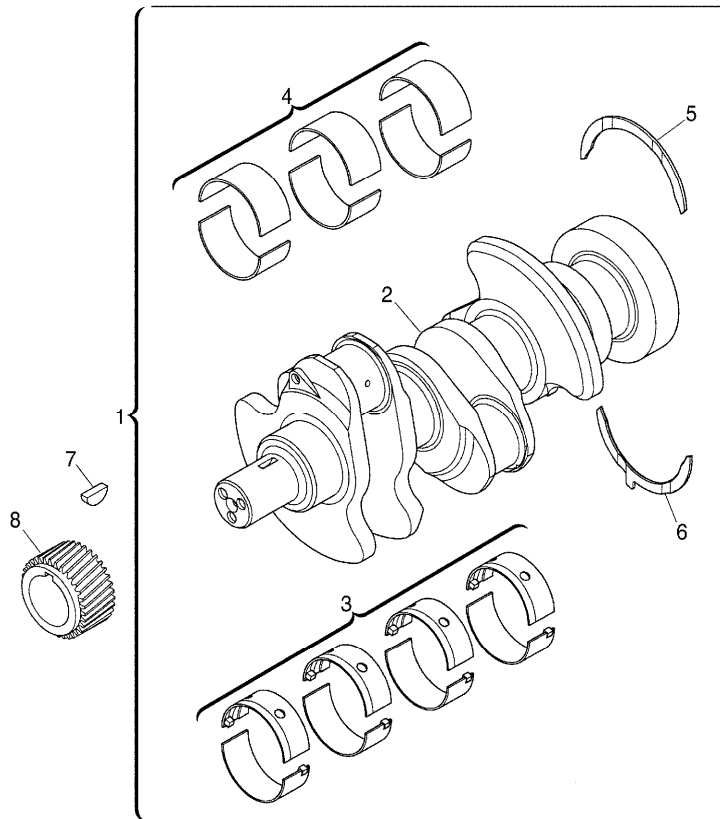
A0504

Camshaft

Inglese

6	31137561	!	1	2	Washer
		T-A	15:0		
7	3117C221	T-A	10:0	1	Gear
8	0500012	T-A	10:0	1	Key

- ! This is a component of an assembly
-  Not serviced, order
-  Shim
- T-A Replacement



Engine

F Top Restyling (2010- ) - RP55 - F70/GE

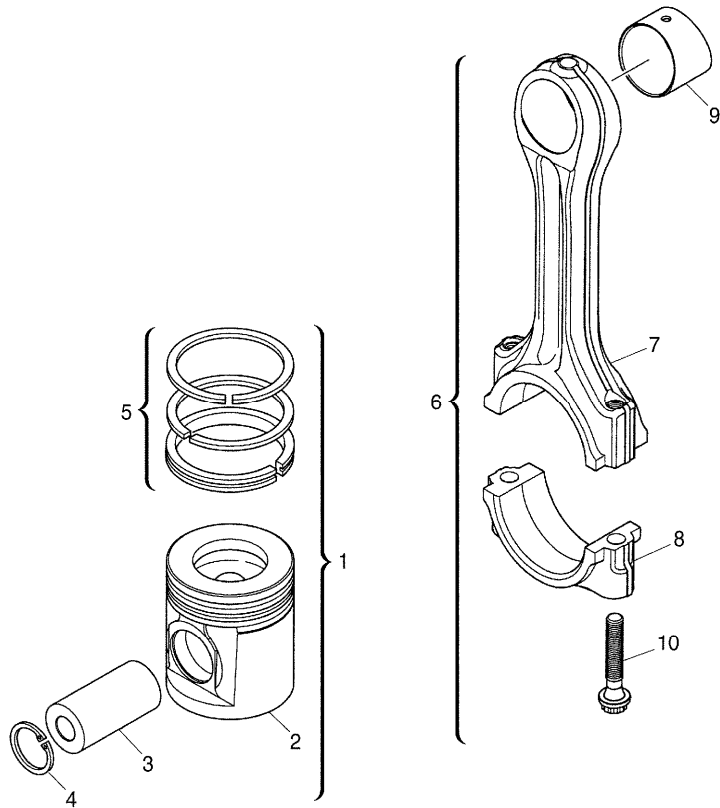
RP55\000020600.png

A-05  
05



A0505

Pistons and connecting rods



		Inglese
1	U5PR0064	3 Kit
2	!	1 Piston
	➡ Ref.n.1	
3	!	1 Bush
	➡ Ref.n.1	
4	2721332	2 Ring
5	UPRK0005	1 Kit
6	4115C311	3 Kit
	T-A 14:0	
6	4115C312	3 Kit
	T-A 14:0	
6	4115C313	3 Kit
	T-A 14:0	
6	4115C314	3 Kit
	T-A 14:0	
6	4115C315	3 Kit
	T-A 14:0	
6	4115C316	3 Kit
	T-A 14:0	
7	!	1 Conrod
	➡ Ref.n.6	
8	!	1 Cap
	➡ Ref.n.6	
9	3112A005	1 Bush
	T-A 14:0	

Engine

F Top Restyling (2010- ) - RP55 - F70/GE

RP55\000020600.png

A-05  
05



A0505

Pistons and connecting rods

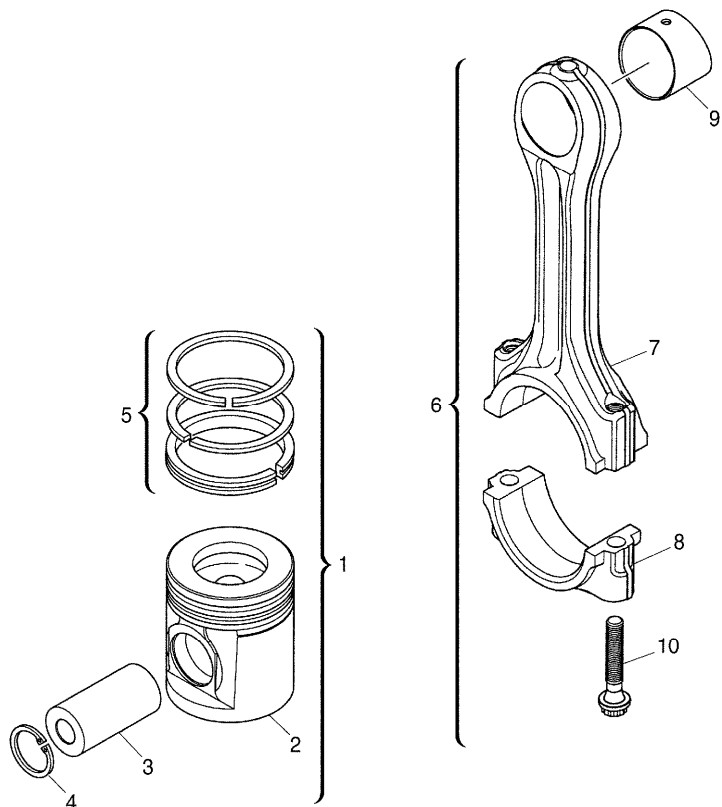
Inglese

10 3212V003 ! 6

2 Screw

A

- ! This is a component of an assembly
- Not serviced, order
- T-A Replacement
- A Do not reuse once it has been removed
- B Red
- C Orange
- D White
- E Green
- F Purple
- G Blue



Engine

F Top Restyling (2010- ) - RP55 - F70/GE

RP55\000020598.png

A-05  
06



A0506

End cover

1 2418F704 T-A 9:0

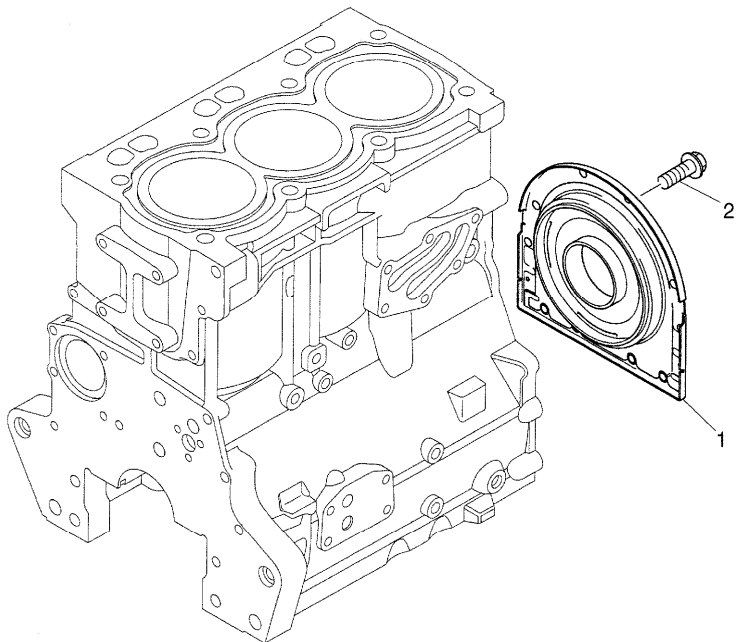
2 3211C002

T-A Replacement

Inglese

1 Housing

10 Screw



Engine

F Top Restyling (2010- ) - RP55 - F70/GE

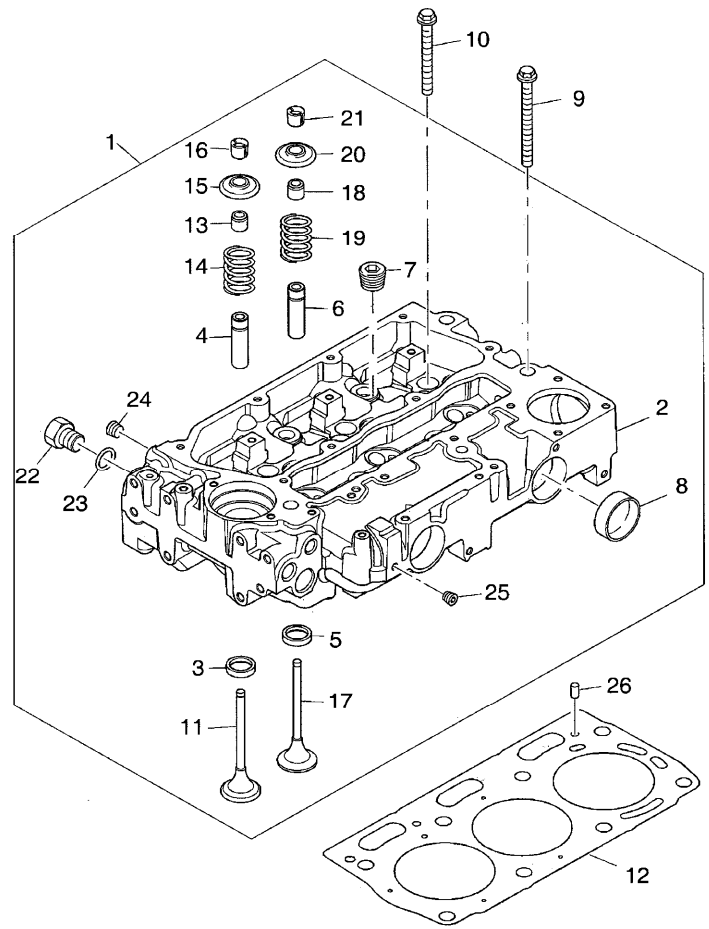
RP55\000015154.png

**A-05  
07**



A0507

Cylinder head



- 1 ZZ80282
- 2 ! 1
- 3 3314A241 ! 1
- 4 3313A012 ! 1
- 5 3314A231 ! 1
- 6 3313A012 ! 1
- 7 0650588 ! 1
- 8 32416117 ! 1
- 9 3218A012
- 10 3218A011
- 11 3142H111 ! 1
- 12 3681E049
- 13 2418M519 ! 1
- A
- 14 3174A031 ! 1
- T417479(3)
- 15 3342A021 ! 1
- 16 2714A002 ! 1
- 17 3142A171 ! 1
- 18 2418M517 ! 1
- B
- 19 3174A031 ! 1
- T417479(3)
- 20 3342A021 ! 1

**Inglese**

- 1 Cylinder head
- 1 Cylinder head
- Ref.n.1
- 3 Insert
- 3 Insert
- 3 Insert
- 3 Insert
- 3 Plug
- 3 Plug
- 3 Screw
- 5 Screw
- 3 Valve
- 1 Gasket
- 3 Ring
- 3 Spring
- 3 Coperch.
- 6 Collar
- 3 Valve
- 3 Ring
- 3 Spring
- 3 Coperch.

Engine

F Top Restyling (2010- ) - RP55 - F70/GE

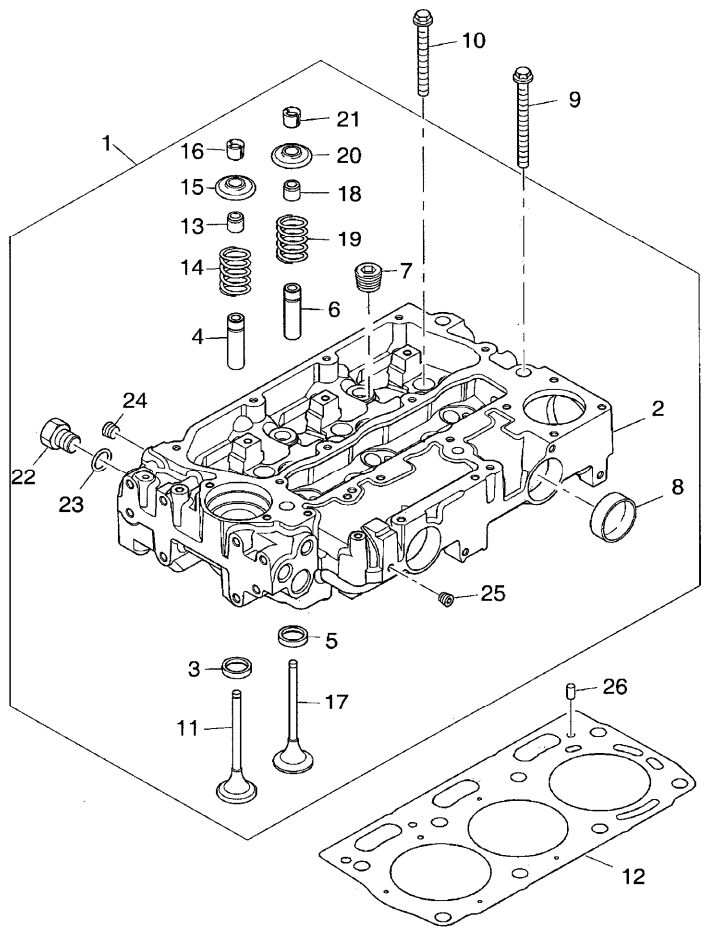
RP55\000015154.png

A-05  
07



A0507

Cylinder head



- 21 2714A002 ! 1
- 22 3278A006 ! 1
- 23 2415H003 ! 1
- 24 2431154 ! 1
- 25 2431154 ! 1
- 26 3244A009 2

Inglese

- 6 Collar
- 1 Plug
- 1 Ring
- 1 Plug
- 1 Plug
- 2 Dowel

- ! This is a component of an assembly
- Not serviced, order
- Replacement
- A Green
- B Brown

Engine

F Top Restyling (2010- ) - RP55 - F70/GE

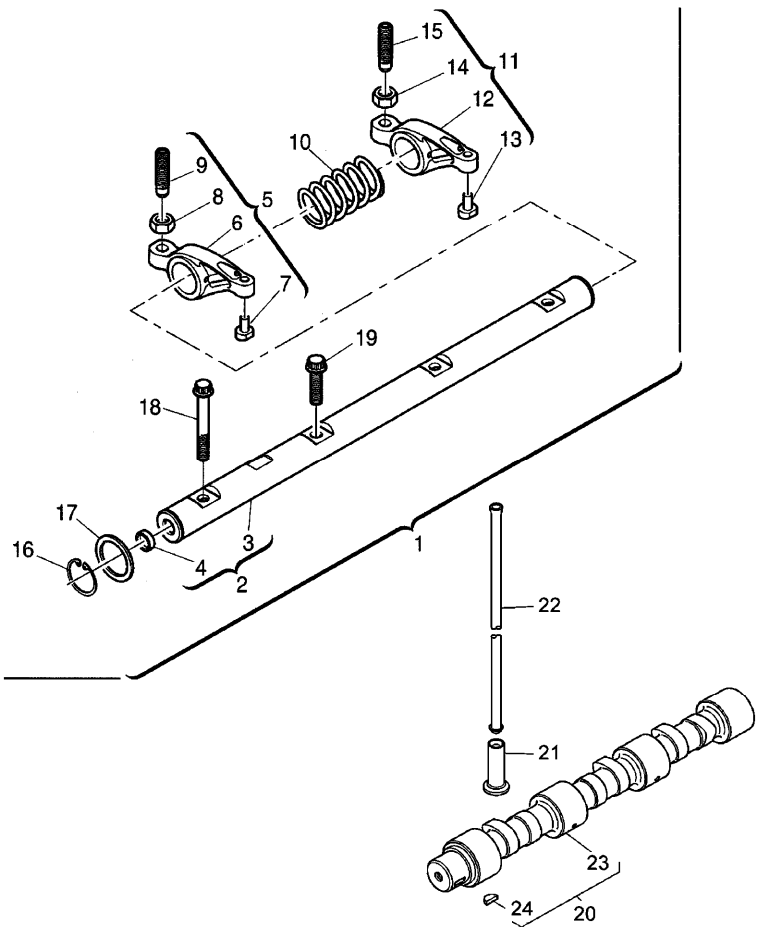
RP55\000015155.png

A-05  
08



A0508

Rocker shaft



		Inglese	
1	4115R614		1 Rocker
2	4115R702	! 1	1 Shaft
		T-A 4:0	
3		! 2	1 Rockerarm
		➡ Ref.n.2	
4	2485A104	! 2	2 Plug
5	4115R319	! 1	3 Lever
6		! 5	1 Rocker
		➡ Ref.n.5	
7		! 5	1 Pad
		➡ Ref.n.5	
8	3331A006	! 5	1 Nut
9	3211C004	! 5	1 Screw
10	3174A015	! 1	2 Spring
		T-A 4:0	
11	4115R318	! 1	3 Lever
12		! 11	1 Rocker
		➡ Ref.n.11	
13		! 11	1 Pad
		➡ Ref.n.11	
14	3331A006	! 11	1 Nut
15	3211C004	! 11	1 Screw
16	2722A022	! 1	2 Ring
17	2134A502	! 1	2 Washer
18	2316A901	! 1	1 Screw

Engine

F Top Restyling (2010- ) - RP55 - F70/GE

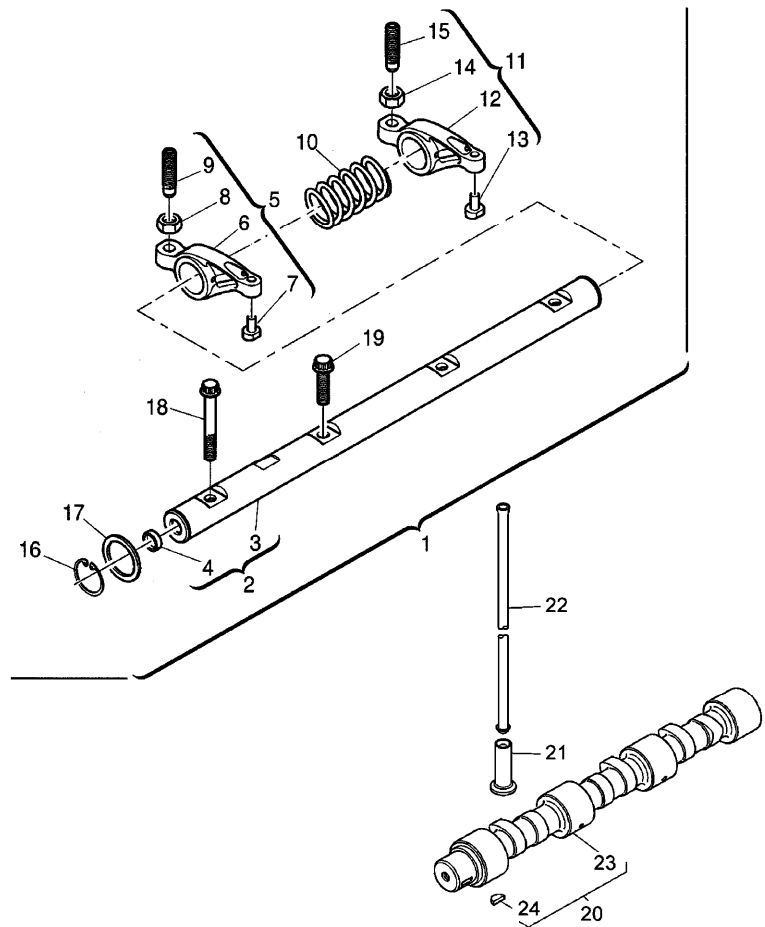
RP55\000015155.png

A-05  
08



A0508

Rocker shaft



Inglese

19	2316A902	!	1	
20	4112K049			
21	3142U061			
22	3142V011			
23		!	20	
		➡		Ref. n.20
24	0500012	!	20	

! This is a component of an assembly  
➡ Not serviced, order  
T-A Replacement

2	Screw
1	Shaft
6	Tappet
6	Rod
1	Shaft
1	Key

Engine

F Top Restyling (2010- ) - RP55 - F70/GE

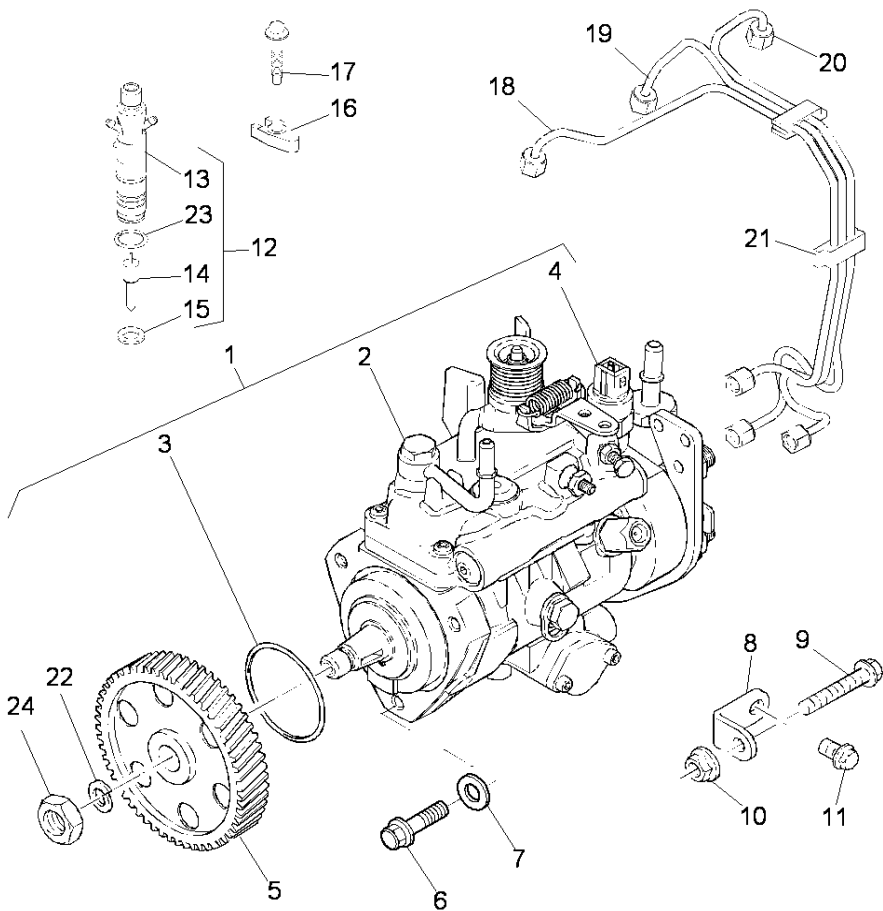
A-05  
09



A0509

Fuel injection equipment (diesel)

RP55\00040017.png



- 1 T409193/22
- 2 ! 1
- 3 26420318 ! 1
- 4 26420469 ! 1
- 5 3117L261 T-A 4:50
- 6 2314H004 ! 1
- 7 2411D008 (X) 1.2.5.
- 8 3641A007 T-A 0:25
- 9 2314H003 T-A 4:50
- 10 2318A603
- 11 2314J002
- 12 2645K030
- 13 ! 12
- 14 ! 12
- 15 L311FF02 ! 12
- 16 3751A241 (X) 1.4.8.1
- 17 2314W009 T-A 2:0

- Inglese
- 1 Pump
  - 1 Pump
  - 1 Ring
  - 1 Solenoid
  - 1 Gear
  - 3 Screw
  - 3 Washer
  - 1 Stirrup
  - 1 Screw
  - 1 Nut
  - 1 Screw
  - 3 Nozzle
  - 1 Atomiser
  - 1 Nozzle
  - 1 Washer
  - 3 Clamp
  - 3 Screw

Engine

F Top Restyling (2010- ) - RP55 - F70/GE

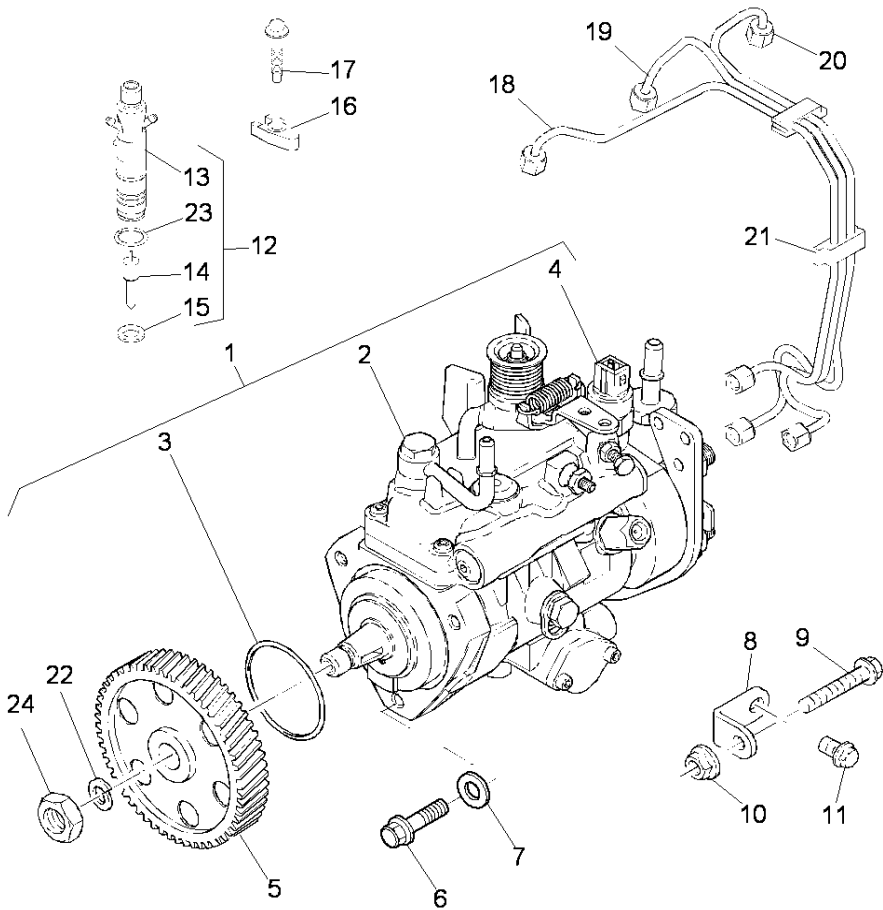
A-05  
09



A0509

Fuel injection equipment (diesel)

RP55\00040017.png



Inglese

18	3525A111			1	Pipe
19	3525A112			1	Pipe
20	3525A113			1	Pipe
21	2646E018			2	Clip
22	K134AF01	!	1	1	Washer
23	26460064	!	12	1	Ring
24	2318A108	!	1	1	Nut

! This is a component of an assembly

Not serviced, order

(X) Qty per tractors sold (aa.bbb.ccc.ddd) (aa) for 1,(bbb) 2-10 (ccc) 11-25 (ddd) 26-50

T-A Replacement

Engine

F Top Restyling (2010- ) - RP55 - F70/GE

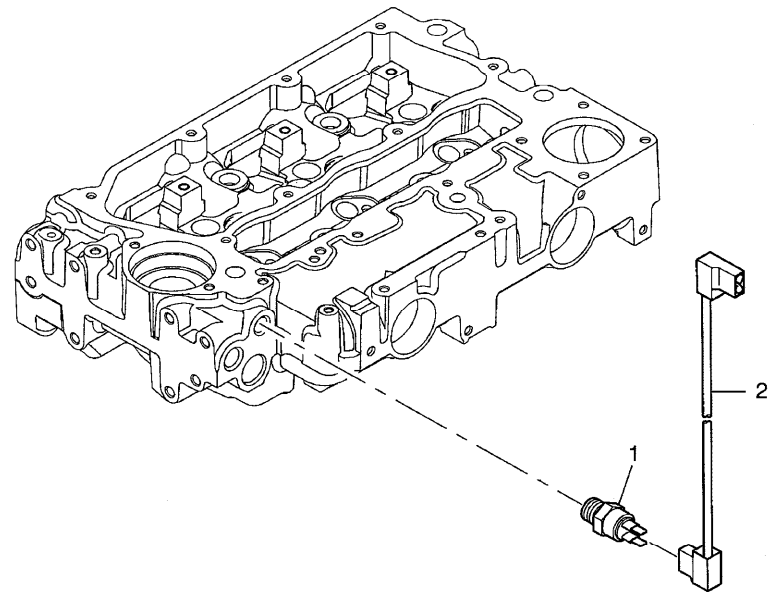
RP55\000015170.png

A-05  
10



A0510

Sensor pickup



- 1 2848A123 A
  - 2 3161C017 T-A 0:50
- T-A Replacement  
A Water temperature

Inglese

- 1 Sensor
- 1 Cable

Engine

F Top Restyling (2010- ) - RP55 - F70/GE

RP55\000020531.png

A-05  
11



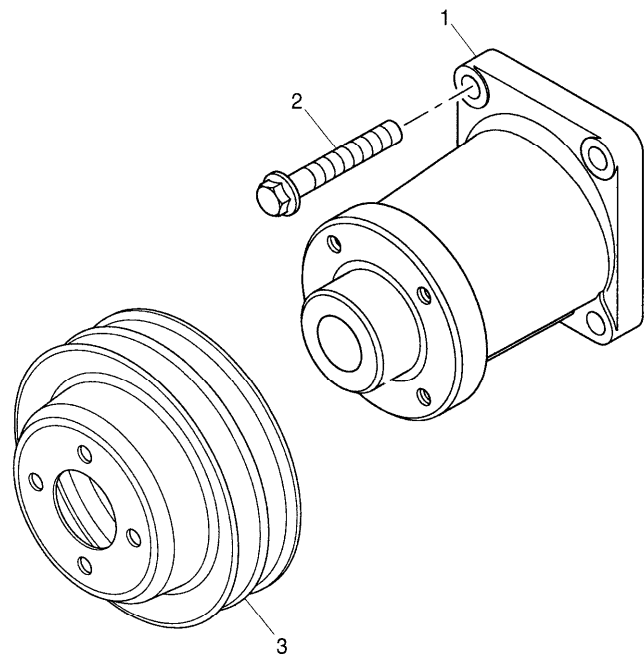
A0511

Fan-type pulley

Inglese

- 1 4113K005 T-A 1:75
  - 2 2314J005
  - 3 3115C113
- T-A Replacement

- 1 Housing
- 4 Screw
- 1 Pulley



Engine

F Top Restyling (2010- ) - RP55 - F70/GE

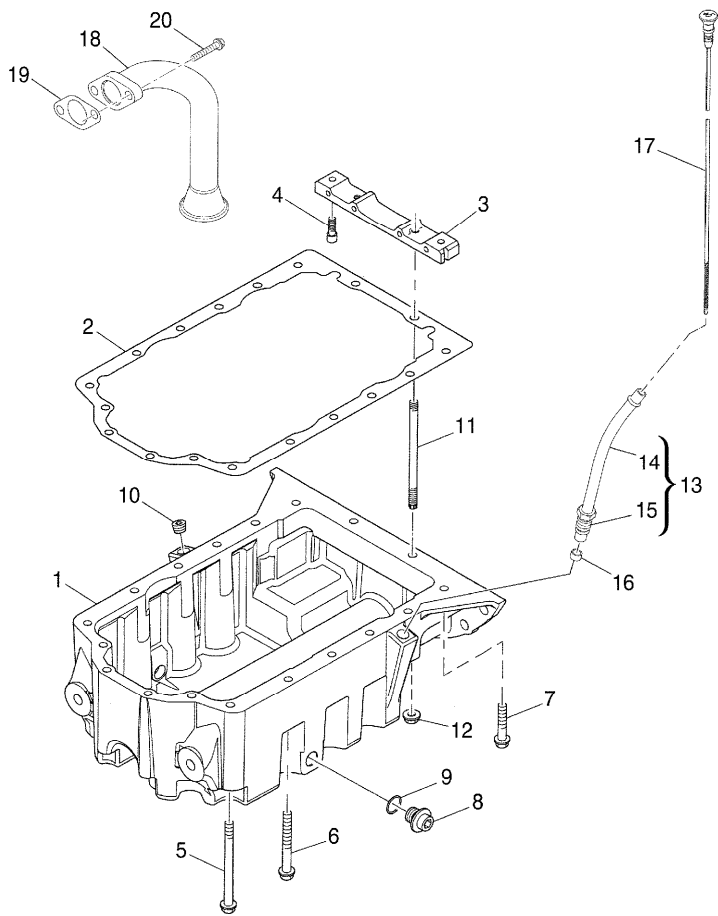
RP55\000020608.png

A-05  
12



A0512

Lubricating oil sump



1	3717C142		
2	3681K038	(X)	1.5.8.1
		T-A	1:50
3	3627P041	T-A	1:50
4	2311D039		
5	2314H022	●	2314H052(6)
6	2314H015		
7	2314K159		
8	32186405	T-A	0:25
9	2415715	T-A	0:25
10	2431A016		
11	3211P022		
12	2318A603		
13	3577A159		
14		!	13
		➡	Ref.n.13
15	3353D005	!	13
16	33812116		
17	3178C081		
18	3575A064	T-A	1:50
19	36832137	T-A	1:50
20	2314H004		

Inglese

1	Sump
1	Gasket
1	Crosspiece
2	Screw
6	Screw
8	Screw
2	Screw
2	Plug
2	Ring
1	Plug
2	Stud
2	Nut
1	Pipe
1	Pipe
1	Nut
1	Olive
1	Rod
1	Pipe
1	Gasket
2	Screw

- ! This is a component of an assembly
- ➡ Not serviced, order
- Replacement

Engine

F Top Restyling (2010- ) - RP55 - F70/GE

RP55\000020608.png

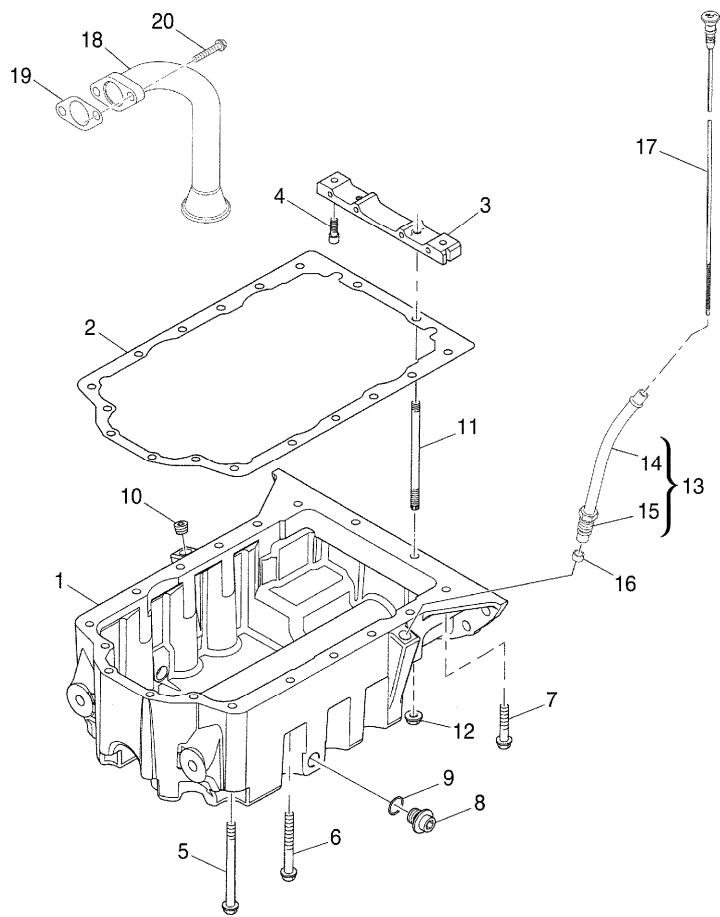
A-05  
12



A0512

Lubricating oil sump

(X) Qty per tractors sold (aa.bbb.ccc.ddd) (aa) for 1,(bbb) 2-10 (ccc) 11-25 (ddd) 26-50  
T-A Replacement



Engine

F Top Restyling (2010- ) - RP55 - F70/GE

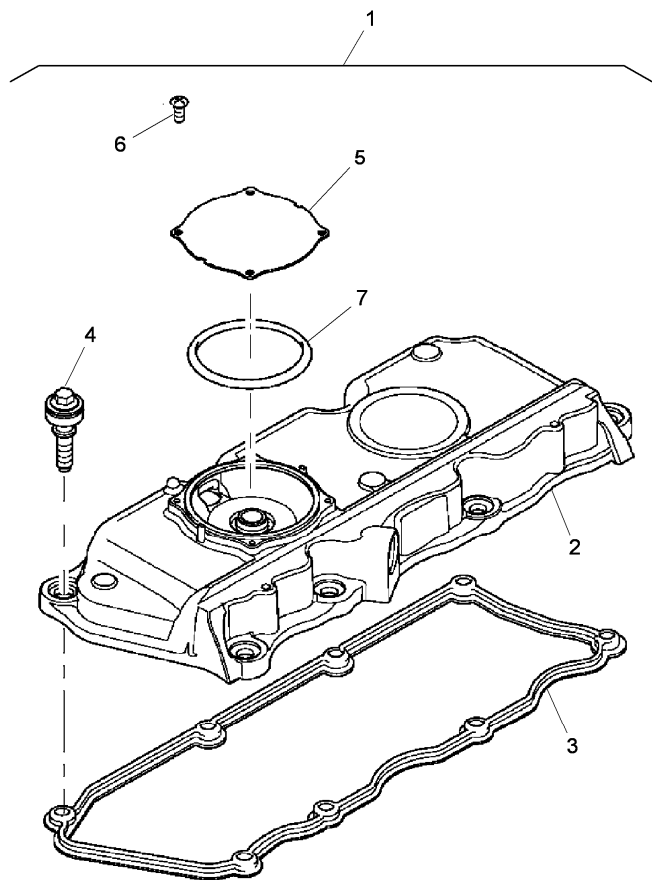
RP55\00008837.png

A-05  
13



A0513

Cylinder head cover



			Inglese
1	4142X394		1 Coperch.
2		! 1	1 Cover
		➡ Ref.n.1	
3	3681A057	! 1	1 Gasket
		(X) 1.2.5.1	
		T-A 1:0	
4	2161A013	! 1	8 Screw
5	3615A034	! 1	1 Support
6	2152A034	! 1	4 Screw
7	3789A004	! 1	1 Gasket
	!	This is a component of an assembly	
	➡	Not serviced, order	
	(X)	Qty per tractors sold (aa.bbb.ccc.ddd) (aa) for 1,(bbb) 2-10 (ccc) 11-25 (ddd) 26-50	
	T-A	Replacement	

Engine

F Top Restyling (2010- ) - RP55 - F70/GE

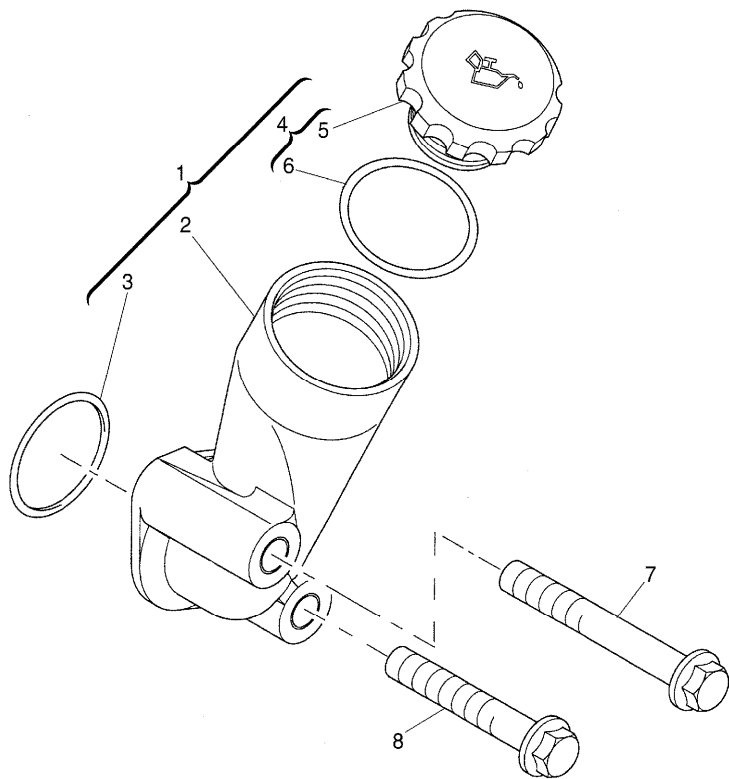
RP55\000020610.png

A-05  
14



A0514

Filler



		Inglese
1	4134C073	1 Filler
2	! 1	1 Body
	➡ Ref.n.1	
3	2415H651 ! 1	1 Ring
4	4142X098 ! 1	1 Plug
	T-A 0:25	
5	! 4	1 Plug
	➡ Ref.n.4	
6	2415633 ! 4	1 O ring
	T-A 0:25	
7	2314K161	1 Screw
8	2314H008	1 Screw
!	This is a component of an assembly	
➡	Not serviced, order	
T-A	Replacement	

Engine

F Top Restyling (2010- ) - RP55 - F70/GE

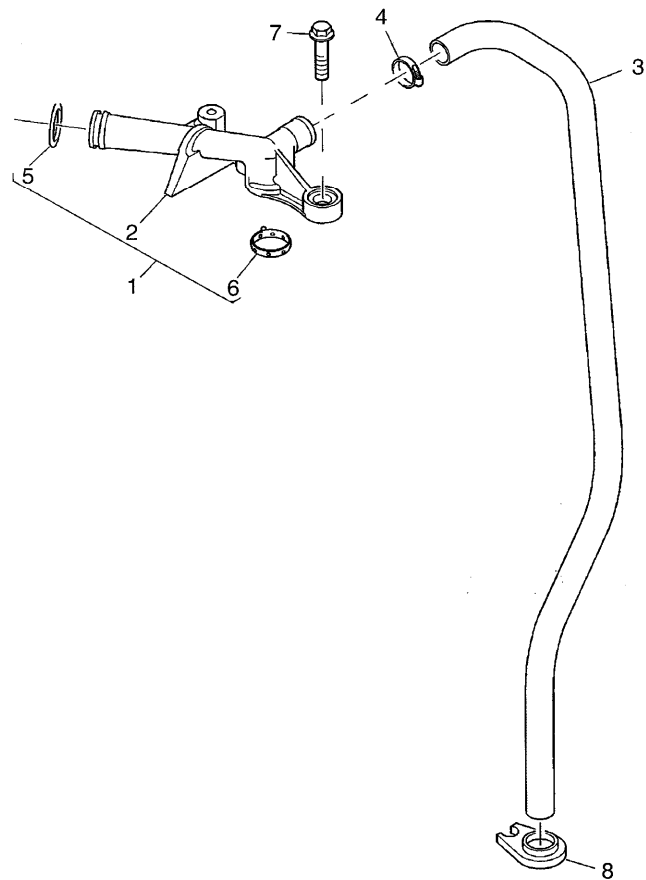
RP55\000015157.png

A-05  
15



A0515

Breather



		Inglese
1	4134K022	1 Pipe
2	!	1 Pipe
	➡ Ref.n.1	
3	3482V094	1 Pipe
4	2481863 ●	1 Clamp
5	2415A068 !	1 Ring
	T-A 0:50	
6	2415H701 !	1 Ring
7	2314F005	2 Screw
8	36241123	1 Support
!	This is a component of an assembly	
➡	Not serviced, order	
●	Replacement	
T-A	Replacement	

Engine

F Top Restyling (2010- ) - RP55 - F70/GE

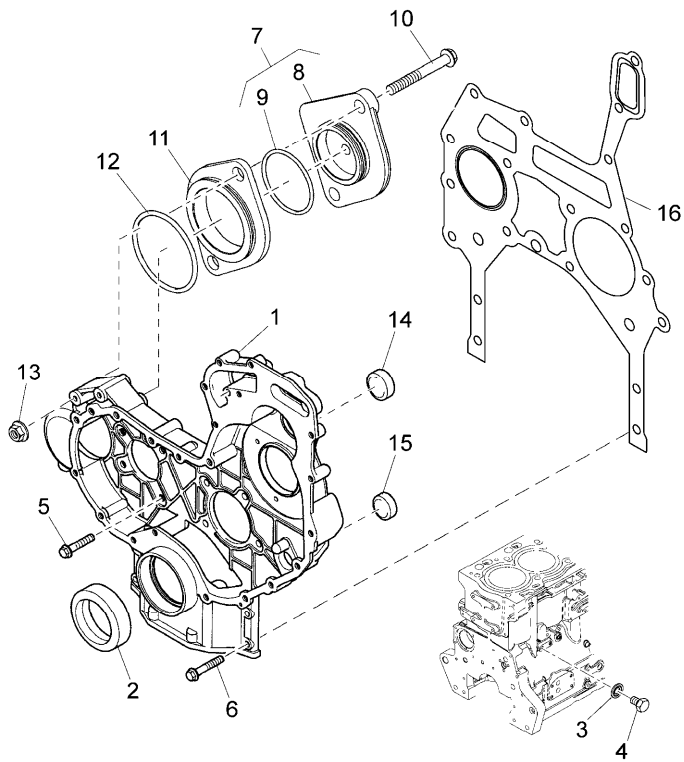
RP55\000015158.png

**A-05  
16**



A0516

Gasket sets



		Inglese
1	3716C581	1 Housing
2	2418F437	1 Seal
3	2415D053	1 Washer
4	2314C049	1 Screw
5	2314H003	8 Screw
6	2314H034	4 Screw
7	4148K012	1 Plate
8	!	7
	➡	Ref.n.7
9	2415H515	1 Ring
10	2314J014	2 Screw
11	3617a044	1 Disc
12	2415H516	1 O ring
13	2318A604	2 Nut
14	2485A124	1 Plug
15	2485A124	1 Plug
16	3681P053	1 Gasket

! This is a component of an assembly

➡ Not serviced, order

T-A Replacement

Engine

F Top Restyling (2010- ) - RP55 - F70/GE

RP55\000020612.png

**A-05**  
**17**



A0517

Cylinder head cover

1 3788N004 T-A 0:50

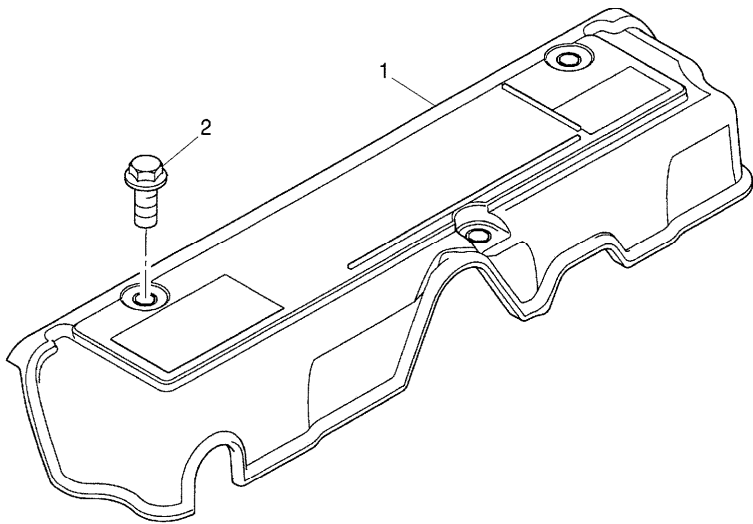
2 2314F003

T-A Replacement

**Inglese**

1 Guard

3 Screw





**Suggest:**

**For more complete manuals. Please go to the home page.**

**<https://www.ebooklibonline.com>**

**If the above button click is invalid. Please download this document first, and then click the above link to download the complete manual.**

**Thank you so much for reading**

Engine

F Top Restyling (2010- ) - RP55 - F70/GE

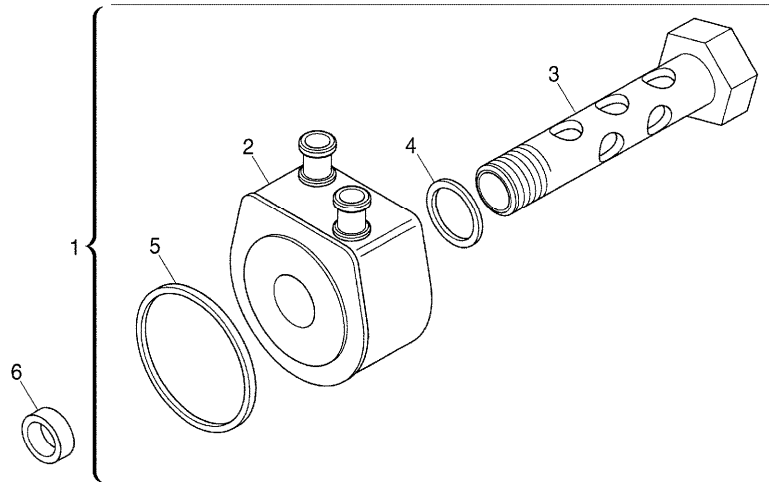
RP55\000020613.png

A-05  
18



A0518

Oil radiator



		Inglese	
1	2486A221	● 2486A241(1) T-A 1:0	1 Cooler
2		! 1	1 Cooler
		➡ Ref.n.1	
3	2486A224	! 1 T-A 1:0	1 Adaptor
4	2411A524	! 1	1 Gasket
		● 2411A525(1)	
5	2486A223	! 1 (X) 1.2.5. T-A 1:0	1 Gasket
6	3311A042		1 Seal
	!	This is a component of an assembly	
	➡	Not serviced, order	
	●	Replacement	
	(X)	Qty per tractors sold (aa.bbb.ccc.ddd) (aa) for 1,(bbb) 2-10 (ccc) 11-25 (ddd) 26-50	
	T-A	Replacement	

Engine

F Top Restyling (2010- ) - RP55 - F70/GE

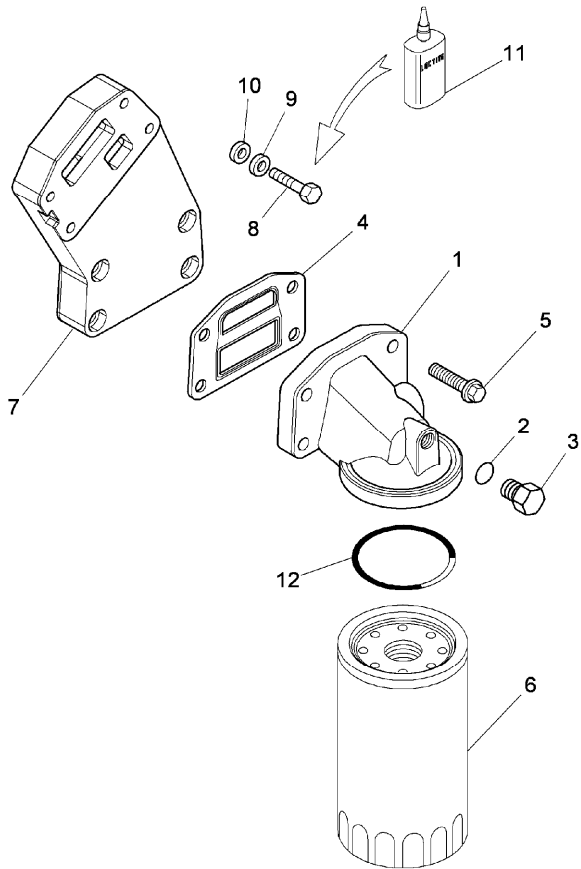
RP55\00040133.png

**A-05  
19**



A0519

Lubricating oil filter



		Inglese
1	3773A061	1 Head
2	2415H009	1 O ring
3	3278A007	1 Plug
4	3688A039 (X) 2.5.8.1 T-A 0:50	1 Gasket
5	2314H034	4 Screw
6	⊕ A-05 20 1	1 Filter
7	3670728M1	1 Support
8	1440349X1 ◀▶ M8x30	4 Screw
8	339011X1 ◀▶ M8x45	4 Screw
9	390972X1 ● Substitutions error	4 Washer
10	1440313X1 ● Substitutions error	4 Lock washer
11	3663814M1 ● 1427801M2(999)	999 Loctite
12	3672135M1	2 Gasket
⊕	See page - reference number	
◀▶	Length	
●	Replacement	
(X)	Qty per tractors sold (aa.bbb.ccc.ddd) (aa) for 1,(bbb) 2-10 (ccc) 11-25 (ddd) 26-50	
T-A	Replacement	

**<https://www.ebooklibonline.com>**

Hello dear friend!

Thank you very much for reading.

Enter the link into your browser.

The full manual is available for immediate download.

**<https://www.ebooklibonline.com>**