

Engine

F E-Line Restyling (2010-) - RP56 - F90/GE/XL

RP56\00005170.png

A-05
01



A0501

Engine assembly

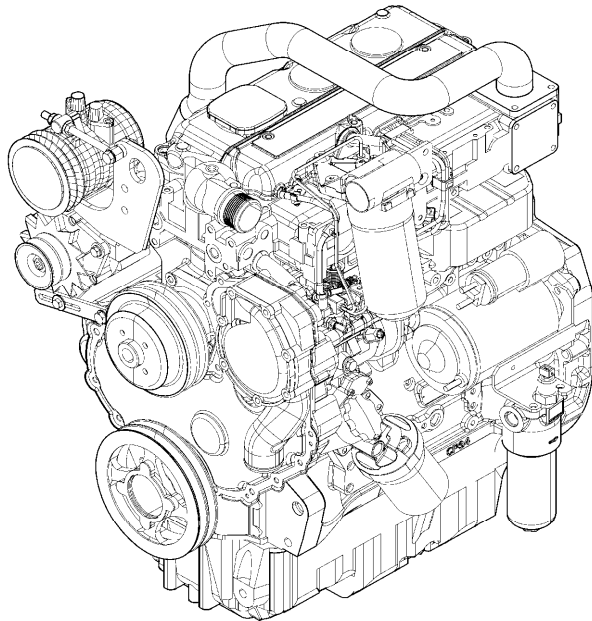
Inglese

1 3695281M91

Perkins - n138972
60kw

1 Engine

1



Engine

F E-Line Restyling (2010-) - RP56 - F90/GE/XL

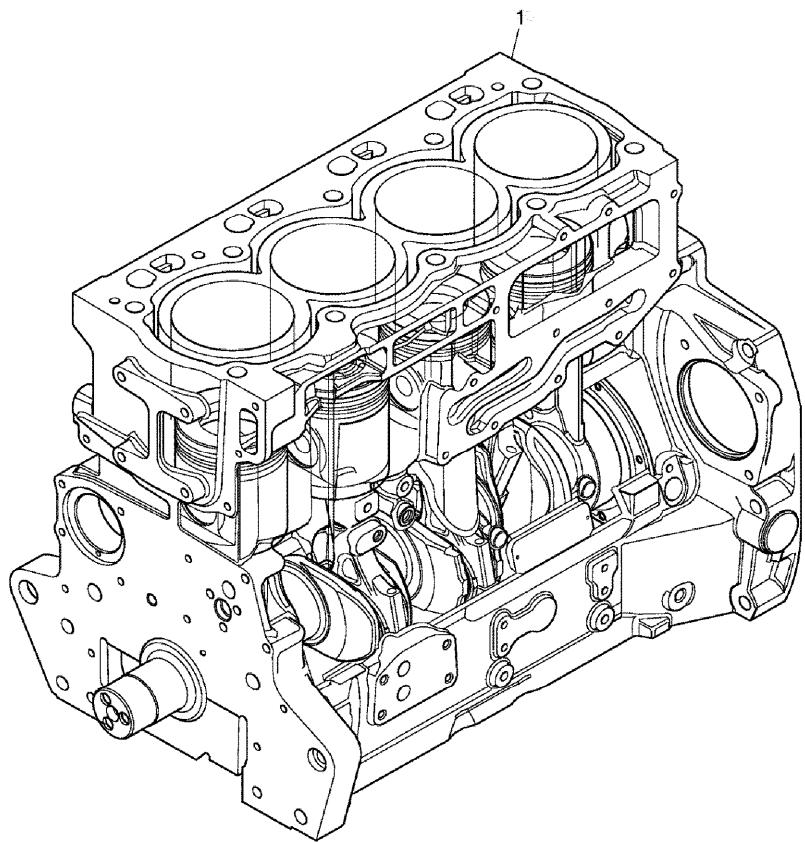
RP56\000015070.png

A-05
02



A0502

Short engine



- | | | | | | |
|---|---------|--|----------------------------------|---|--------------|
| 1 | NM40008 | | U056074 t | 1 | Short engine |
| | | | 3115A141(1),
32186146(3), NM4 | | |
| 1 | NM40019 | | U056075 t | 1 | Short engine |

- From serial or engine number
- Up to serial or engine number
- Replacement

Inglese

Engine

F E-Line Restyling (2010-) - RP56 - F90/GE/XL

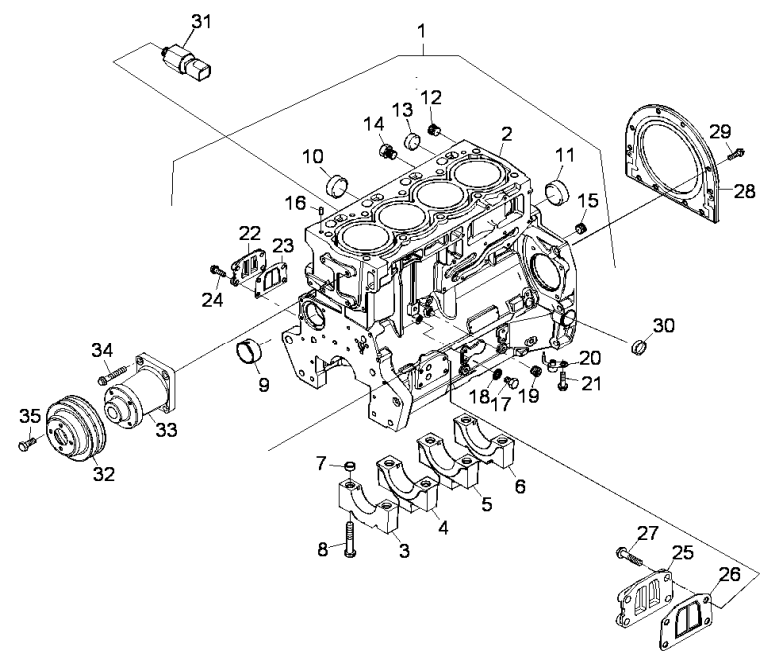
RP56\000015197.png

**A-05
03**



A0503

Cylinder block



		Inglese
1	ZZ50321	● ZZ50325(1) 1 Block
2		! 1 1 Block
3		➡ Ref.n.1 1 Cap
4		! 1 2 Cap
5		➡ Ref.n.1 1 Cap
6		! 1 1 Cap
7	33142111	! 1 10 Manicott
8	32166329	! 1 10 Screw
9	3112D071	! 1 1 Bush
10	3241A011	● 3112D075(1) 2 Plug
11	3241A012	! 1 1 Plug
12	0650588	! 1 1 Plug
13	0650710	! 1 1 Plug
14	32141316	! 1 1 Plug
15	3212P008	! 1 1 Plug
16	3244A009	! 1 2 Dowel
17	2314C049	! 1 1 Screw
18	2415D053	! 1 1 Washer
19	0650594	! 1 1 Plug

<https://www.ebooklibonline.com>

Hello dear friend!

Thank you very much for reading.

Enter the link into your browser.

The full manual is available for immediate download.

<https://www.ebooklibonline.com>

Engine

F E-Line Restyling (2010-) - RP56 - F90/GE/XL

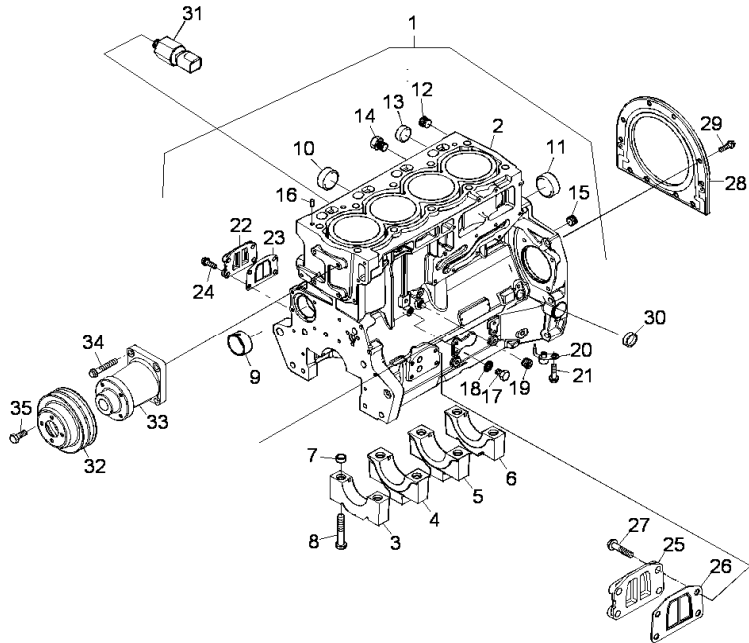
RP56\000015197.png

**A-05
03**



A0503

Cylinder block



			Inglese
20	2113A003	! 1	4 Atomiser
21	2314F001	! 1	4 Screw
22	3753A071	! 1	1 Coperch.
23	3688A041	! 1	1 Gasket
24	2314H034	! 1	4 Screw
26	3688A041	T-A 0:50	1 Ring
27	2314H034		4 Screw
28	2418F704	(X) 0.1.4. T-A 11:0	1 Housing
29	3211C002		10 Screw
30	2485A109		1 Plug
31	2848A051	A	1 Cutout
32	3115C161		1 Pulley
33	4113K005		1 Housing
34	2314J005		4 Screw
35	2314C044		4 Screw
!	This is a component of an assembly		
🔧	Not serviced, order		
⬇️	Replacement		
(X)	Qty per tractors sold (aa.bbb.ccc.ddd) (aa) for 1,(bbb) 2-10 (ccc) 11-25 (ddd) 26-50		
T-A	Replacement		
A	Oil pressure		

Engine

F E-Line Restyling (2010-) - RP56 - F90/GE/XL

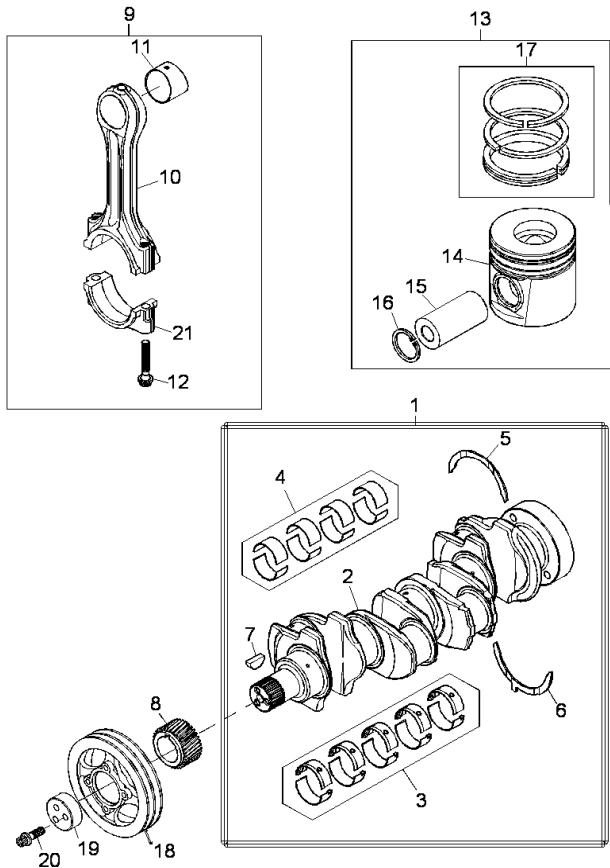
RP56\000015199.png

A-05
04



A0504

Crankshaft, pistons and connecting rods



Inglese

1	ZZ90222	➔	U056074 t	1	Kit
		●	ZZ90239(1)		
1	ZZ90222P	➔	U056074 t	1	Kit
		●	N.L.A.(1)		
1	ZZ90237	➔	U056075 t	1	Shaft
2		!	1	1	Crankshaft
		➔	Ref.n.1		
3	U5MB0018	!	1	1	Kit
		➔	U056074 t		
		●	U5MB0033(1)		
		T-A	18:50		
3	U5MB0018A	⚡	(+)0.010"	1	Kit
		!	1		
		➔	U056074 t		
		●	U5MB0033A(1)		
		T-A	18:50		
3	U5MB0018B	⚡	(+)0.020"	1	Kit
		!	1		
		➔	U056074 t		
		●	U5MB0033B(1)		
		T-A	18:50		
3	U5MB0018C	⚡	(+)0.030"	1	Kit
		!	1		
		➔	U056074 t		
		●	N.L.A.(1)		
		T-A	18:50		

Engine

F E-Line Restyling (2010-) - RP56 - F90/GE/XL

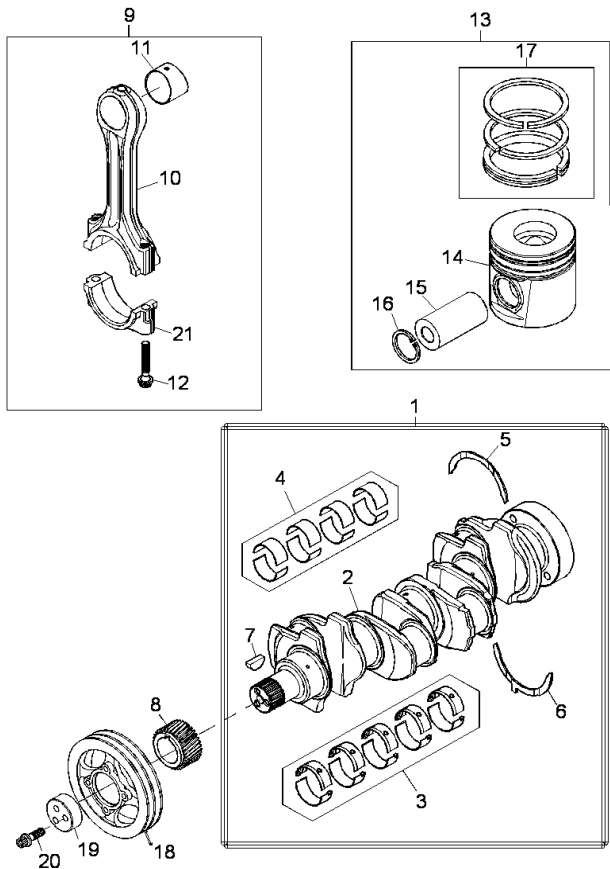
RP56\000015199.png

**A-05
04**



A0504

Crankshaft, pistons and connecting rods



Inglese

3	U5MB0033	!	1	1 Kit
		➔	U056075 t	
3	U5MB0033A	!	1	1 Kit
		⊗	-0,25mm	
		➔	U056075 t	
3	U5MB0033B	!	1	1 Kit
		⊗	-0,50mm	
		➔	U056075 t	
3	U5MB0033C	!	1	1 Kit
		⊗	-0,75mm	
		➔	U056075 t	
		●	N.L.A.(1)	
4	T400002	!	1	1 Kit
		➔	U056075 t	
		●	T410927(1)	
4	U5ME0026	!	1	1 Kit
		➔	U056074 t	
		●	U5ME0034(1)	
4	U5ME0026A	!	1	1 Kit
		⊗	(+)0.25 mm	
		➔	U056074 t	
		●	U5ME0034A(1)	
4	U5ME0026B	!	1	1 Kit
		⊗	(+)0.50 mm	
		➔	U056074 t	
		●	U5ME0034B(1)	

Engine

F E-Line Restyling (2010-) - RP56 - F90/GE/XL

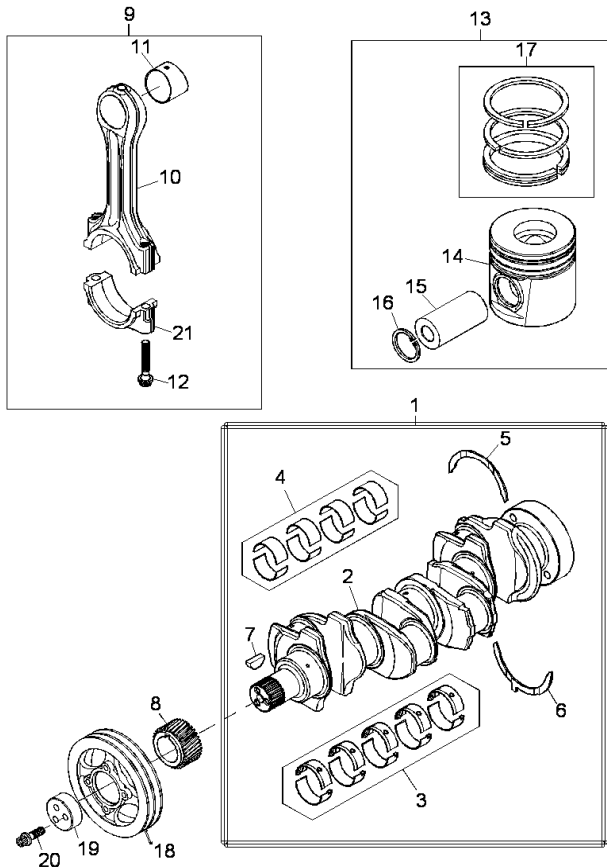
RP56\000015199.png

**A-05
04**



A0504

Crankshaft, pistons and connecting rods



		Inglese	
4	U5ME0026C	! 1 ⚡ (+)0.75 mm ➡ U056074 t	1 Kit
5	31137312	● U5ME0034C(1) ⚡ (+)0.007" ! 1	2 Ring
5	31137551	T-A 18:50 ! 1	2 Washer
6	31137322	T-A 18:50 ⚡ (+)0.007" ! 1	2 Ring
6	31137561	T-A 18:50 ! 1	2 Washer
7	0500012	! 1	1 Key
8	3117C221	T-A 13:0	1 Gear
9	4115C311	➡ U056074 t F T-A 17:0	4 Kit
9	4115C312	➡ U056074 t E T-A 17:0	4 Kit
9	4115C313	➡ U056074 t D T-A 17:0	4 Kit

Engine

F E-Line Restyling (2010-) - RP56 - F90/GE/XL

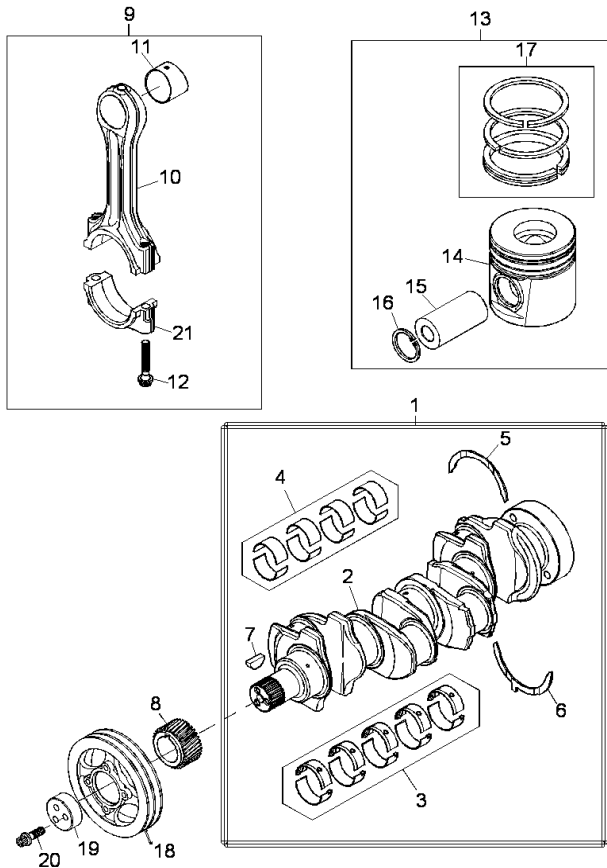
RP56\000015199.png

**A-05
04**



A0504

Crankshaft, pistons and connecting rods



		Inglese	
9	4115C314	➡ U056074 t C T-A 17:0	4 Kit
9	4115C315	➡ U056074 t B T-A 17:0	4 Kit
9	4115C316	➡ U056074 t A T-A 17:0	4 Kit
9	4115C361	➡ U056075 t F	4 Conrod
9	4115C362	➡ U056075 t E	4 Conrod
9	4115C363	➡ U056075 t D	4 Conrod
9	4115C364	➡ U056075 t C	4 Conrod
9	4115C365	➡ U056075 t B	4 Conrod
9	4115C366	➡ U056075 t A	4 Conrod
10		! 9 ➡ Ref.n.9	1 Conrod
11	3112A005	! 9 T-A 17:0	1 Bush

Engine

F E-Line Restyling (2010-) - RP56 - F90/GE/XL

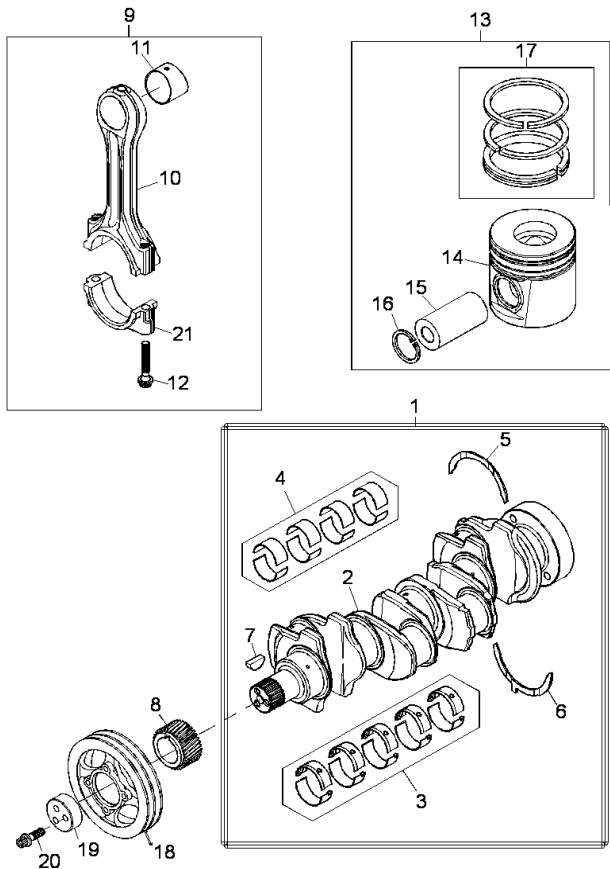
RP56\000015199.png

**A-05
04**



A0504

Crankshaft, pistons and connecting rods



		Inglese		
12	3212V003	!	9	2 Screw
		➔	U056074 t	
12	T400001	!	9	2 Screw
		➔	U056075 t	
13	U5PR0063			4 Kit
14		!	13	1 Piston
		📦	Ref.n.13	
15		!	13	1 Pin
		📦	Ref.n.13	
16	2721332	!	13	2 Ring
17	UPRK0003	!	13	1 Kit
		(X)	1.2.5.	
		T-A	17:0	
18	3115A141	➔	U056075 t	1 Pulley
18	3115T051	➔	U056074 t	1 Pulley
		T-A	2:0	
19	3241N001	➔	U056074 t	1 Block
		T-A	2:0	
20	32186137	➔	U056074 t	3 Screw
20	32186146	➔	U056075 t	1 Bolt
21		!	9	1 Cover
		📦	Ref.n.9	

- ! This is a component of an assembly
- ➔ From serial or engine number
- ➔ Up to serial or engine number
- 📦 Not serviced, order
- ⚡ Shim

Engine

A-05
04

Crankshaft, pistons and connecting rods

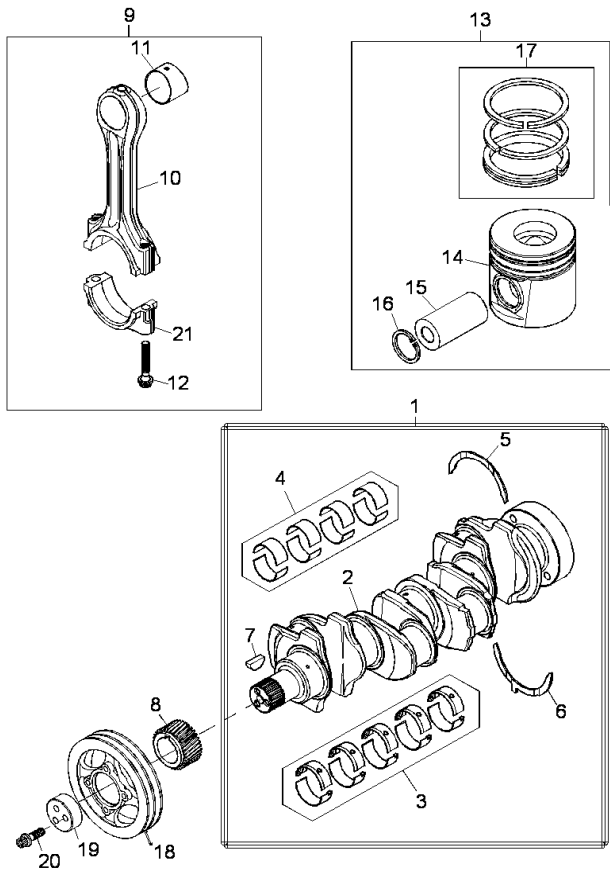
F E-Line Restyling (2010-) - RP56 - F90/GE/XL



A0504

RP56\000015199.png

- Replacement
- (X) Qty per tractors sold (aa.bbb.ccc.ddd) (aa) for 1,(bbb) 2-10 (ccc) 11-25 (ddd) 26-50
- T-A Replacement
- A Blue
- B Purple
- C Green
- D White
- E Orange
- F Red



Engine

F E-Line Restyling (2010-) - RP56 - F90/GE/XL

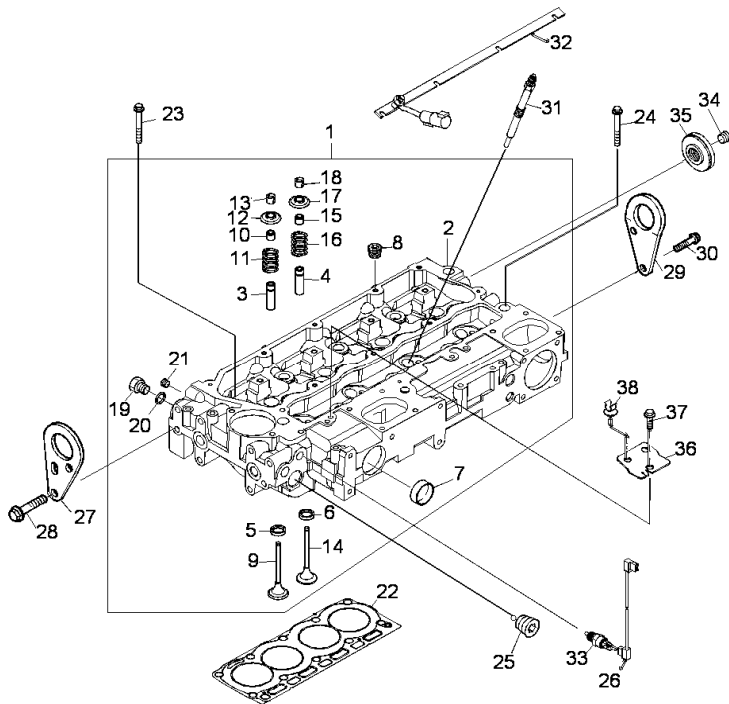
RP56\000015202.png

A-05
05



A0505

Cylinder head



			Inglese
1	ZZ80279		1 Cylinder head
2		! 1	1 Head
		➡ Ref.n.1	
3	3313A012	! 1	4 Insert
4	3313A012	! 1	4 Insert
5	3314A221	! 1	4 Insert
6	3314A231	! 1	4 Insert
7	32416117	! 1	2 Plug
		T-A 1:0	
8	0650588	! 1	4 Plug
		T-A 0:50	
9	3142H101	! 1	4 Valve
10	2418M519	! 1	4 Ring
		A	
11	3174A031	! 1	4 Spring
		● T417479(4)	
12	3342A021	! 1	4 Coperch.
13	2714A002	! 1	8 Collar
14	3142A171	! 1	4 Valve
15	2418M517	! 1	4 Ring
		B	
16	3174A031	! 1	4 Spring
		● T417479(4)	
17	3342A021	! 1	4 Coperch.
18	2714A002	! 1	8 Collar

Engine

F E-Line Restyling (2010-) - RP56 - F90/GE/XL

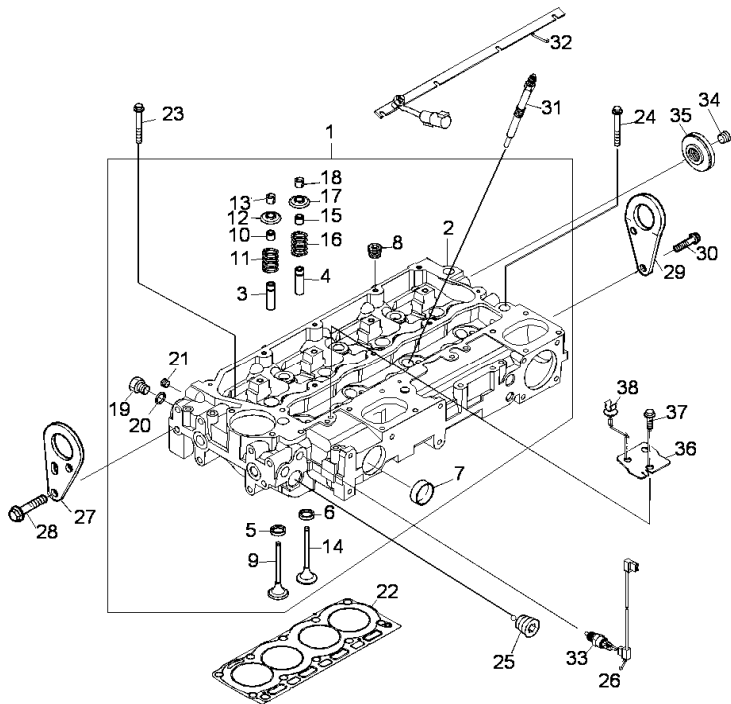
RP56\000015202.png

A-05
05



A0505

Cylinder head



		Inglese	
19	3278A006	!	1 Plug
20	2415H003	!	1 Ring
21	2431154	!	1 Plug
22	3681E051		1 Gasket
23	3218A011		7 Screw
24	3218A012		3 Screw
25	2431154		1 Plug
26	3161C017		1 Cable
27	3617A015		1 Stirrup
28	2314J002		2 Screw
29	3647A007		1 Stirrup
30	2314J002		2 Screw
31	2666A016	T-A 0:75	4 Spark plug
32	3161C054	● T409642(1)	1 Bar
33	2848A123	C	1 Sensor
		T-A 0:25	
34	2431154		Plug
35	3342A701		1 Connection
36	3653A017		1 Stirrup
37	2314H002		1 Screw
38	2481D456		1 Clip

- ! This is a component of an assembly
- 🔧 Not serviced, order
- Replacement
- T-A Replacement
- A Green

Engine

F E-Line Restyling (2010-) - RP56 - F90/GE/XL

RP56\000015202.png

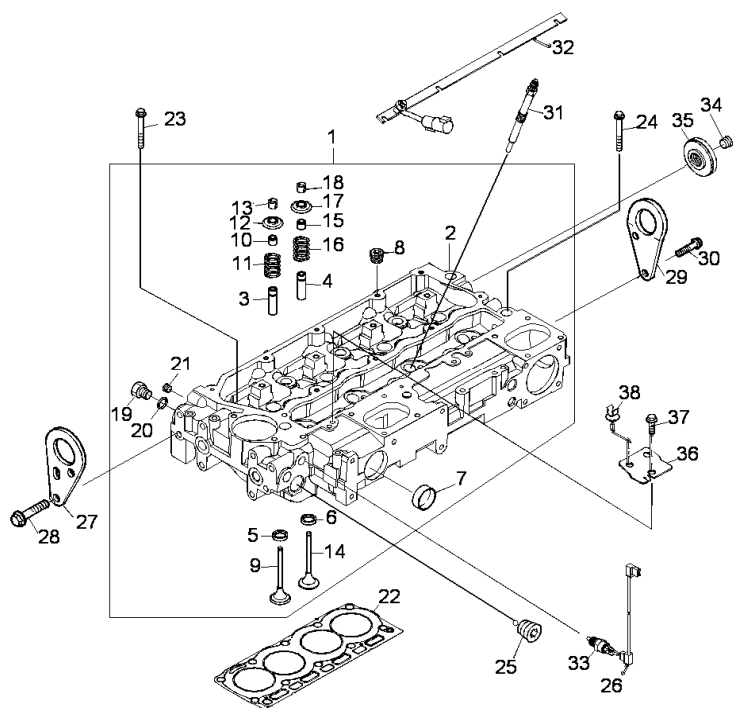
A-05
05



A0505

Cylinder head

- B Brown
- C Water temperature



Engine

F E-Line Restyling (2010-) - RP56 - F90/GE/XL

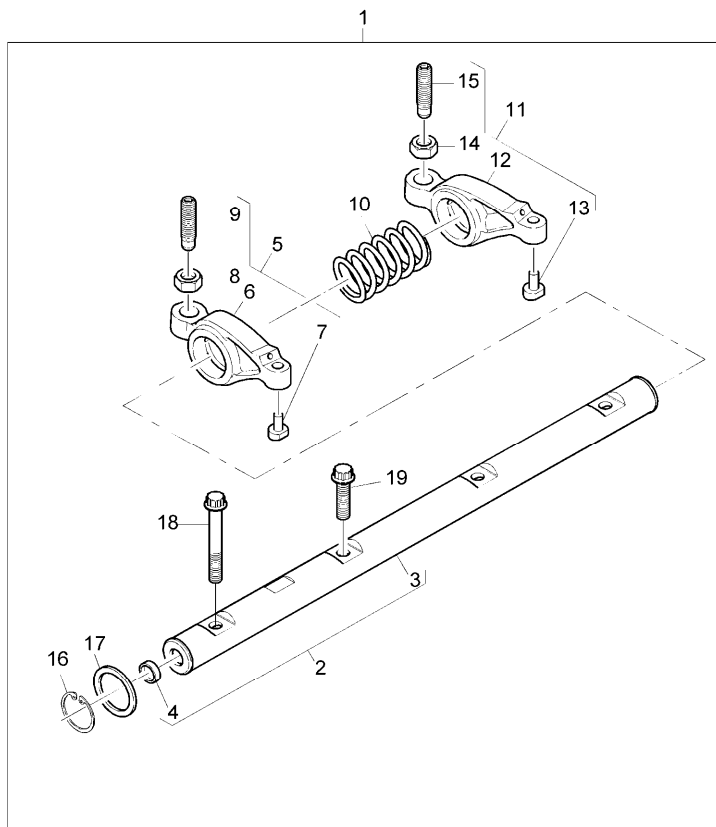
RP56\000015204.png

A-05
06



A0506

Rocker shaft



			Inglese
1	4115R613		1 Axle
2	4115R703	! 1	1 Shaft
		T-A 4:0	
3		! 2	1 Shaft
		➡ Ref.n.2	
4	2485A104	! 2	2 Plug
		T-A 4:0	
5	4115R319	! 1	4 Lever
6		! 5	1 Rocker
		➡ Ref.n.5	
7		! 5	1 Shim
		➡ Ref.n.5	
8	3331A006	! 5	1 Nut
9	3211C004	! 5	1 Screw
10	3174A015	! 1	3 Spring
		T-A 4:0	
11	4115R318	! 1	4 Lever
12		! 11	1 Rocker
		➡ Ref.n.11	
13		! 11	1 Shim
		➡ Ref.n.11	
14	3331A006	! 11	1 Nut
15	3211C004	! 1	1 Screw
16	2722A022	! 1	2 Ring
17	2134A502	! 1	2 Washer
		T-A 4:0	

Engine

F E-Line Restyling (2010-) - RP56 - F90/GE/XL

RP56\000015204.png

A-05
06



A0506

Rocker shaft

Inglese

18 2316A901 ! 1

1 Screw

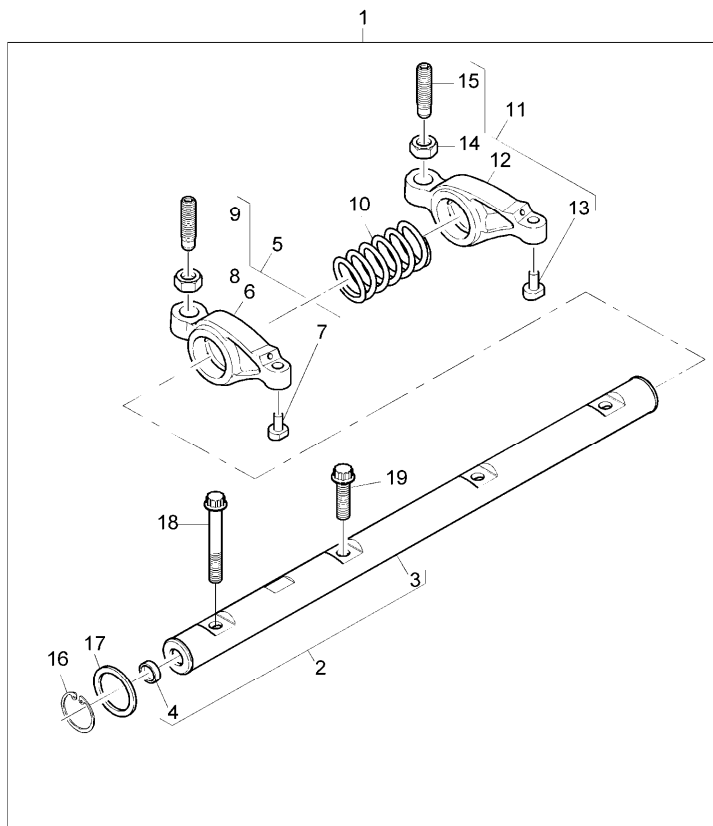
19 2316A902 ! 1

3 Screw

! This is a component of an assembly

Not serviced, order

T-A Replacement



Engine

F E-Line Restyling (2010-) - RP56 - F90/GE/XL

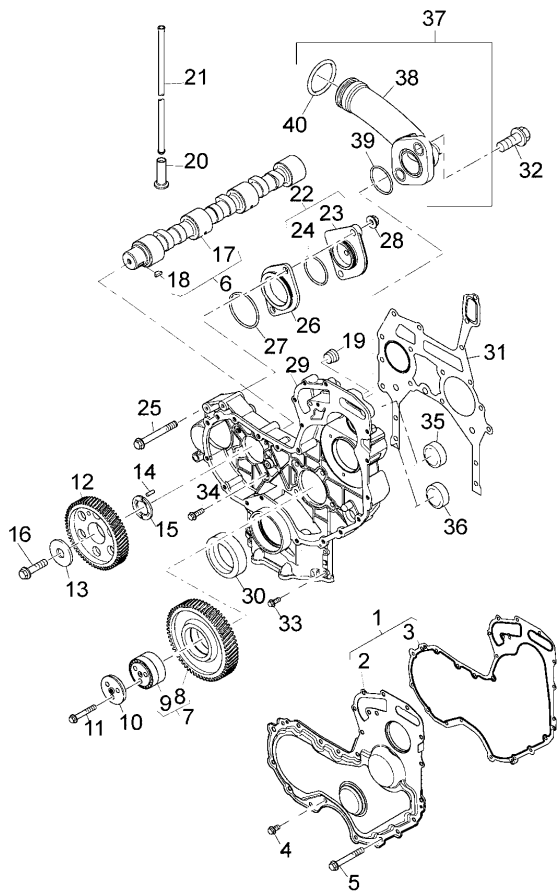
RP56\00040014.png

**A-05
07**



A0507

Timing gear and camshaft



		Inglese	
1	4142A503	T-A 4:50	1 Kit
2		! 31	1 Overlay
		➡ Ref.n.1	
3	3681P046	! 31	1 Gasket
		(X) 0.1.3.	
		T-A 4:50	
4	2314H002		9 Screw
5	2314H012		5 Screw
6	4112K075	● 4112K077(1)	1 Shaft
7	4111A042	● 4111A048(1)	1 Gear
		T-A 4:75	
8		! 7	1 Gear
		➡ Ref.n.7	
9		! 7	1 Hub
		➡ Ref.n.7	
10	3321A012	! 7	1 Plate
		T-A 4:75	
11	2314J012		3 Screw
12	3117L272	T-A 4:75	1 Gear
13	3321A003	T-A 4:75	1 Washer
14	2116053		1 Pin
15	3112X011	T-A 4:75	1 Washer
16	2314J606		1 Screw
17		! 6	1 Shaft
		➡ Ref.n.6	

Engine

F E-Line Restyling (2010-) - RP56 - F90/GE/XL

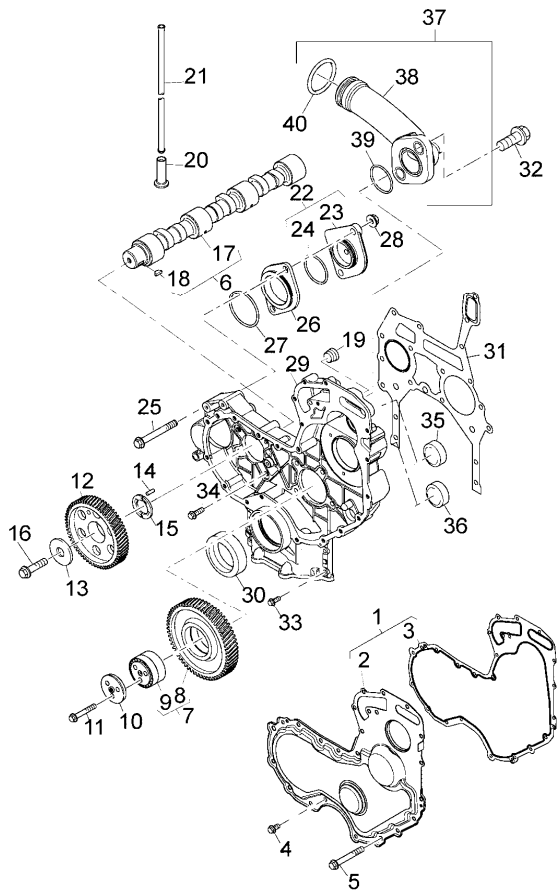
RP56\00040014.png

A-05
07



A0507

Timing gear and camshaft



18	0500012	!	6
19	2431154		
20	3142U061		
21	3142V011		
22	4148K012	T-A	4:75
23		!	22
		➡	Ref.n.22
24	2415H515	T-A	4:75
25	2314J014		
26	3617a044	T-A	4:75
27	2415H516	T-A	4:75
28	2318A604		
29	3716C581	T-A	4:75
30	2418F437	(X)	0.1.3.
		T-A	4:75
31	3681P053	T-A	4:75
32	2314H003		
33	2314H003		
34	2314H034		
35	2485A124		
36	2485A118		
37	4133L048		
38		!	37
		➡	Ref.n.37

Inglese

1	Key
1	Plug
8	Tappet
8	Rod
1	Plate
1	Plate
1	Ring
2	Screw
1	Disc
1	Ring
2	Nut
1	Housing
1	Seal
1	Gasket
2	Screw
8	Screw
4	Screw
1	Plug
1	Plug
1	Connection
1	Connection

Engine

F E-Line Restyling (2010-) - RP56 - F90/GE/XL

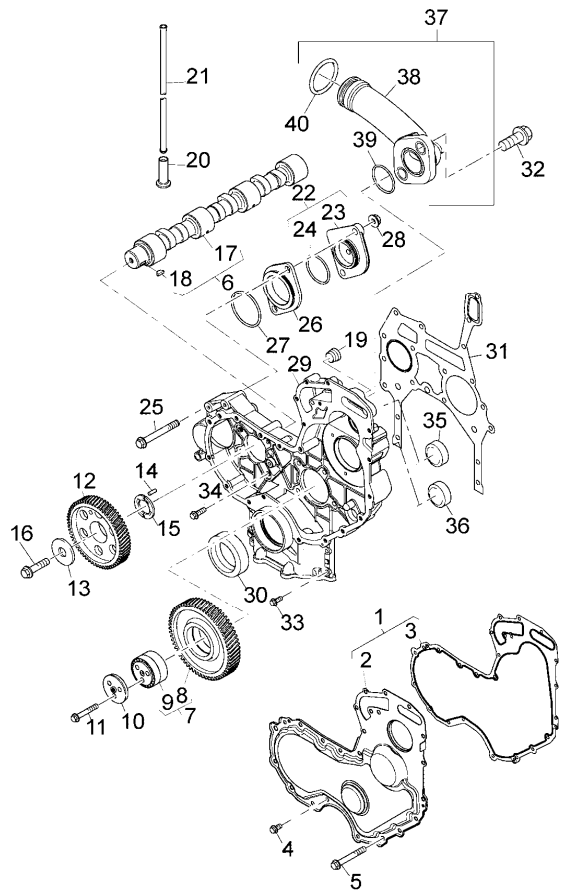
RP56\00040014.png

A-05
07



A0507

Timing gear and camshaft



Inglese

39	2418F001	!	37	1	Ring
			T-A 4:75		
40	2418F002	!	37	1	Ring
			T-A 4:75		

! This is a component of an assembly

Not serviced, order

Replacement

(X) Qty per tractors sold (aa.bbb.ccc.ddd) (aa) for 1,(bbb) 2-10 (ccc) 11-25 (ddd) 26-50

T-A Replacement

Engine

F E-Line Restyling (2010-) - RP56 - F90/GE/XL

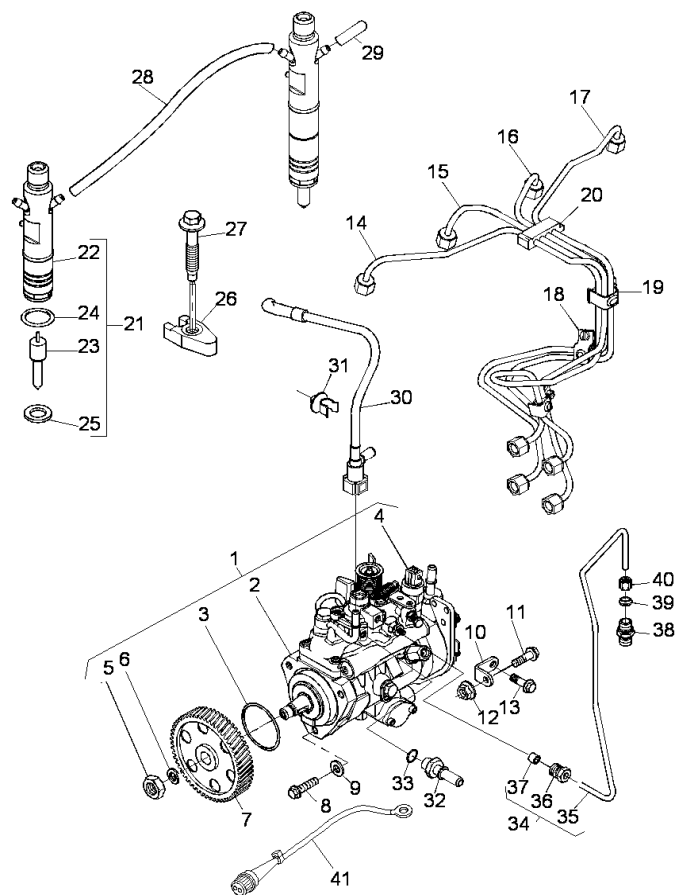
RP56\000015209.png

A-05
08



A0508

Fuel injection equipment (diesel)



1 2644C342/22

2 ! 1

➡ Ref.n.1

3 26420318 ! 1

4 26420469 ! 1

5 2318A108 ! 1

6 K134AF01 ! 1

7 3117L261

8 2314H004

9 2411D008

10 3641A007

11 2314H003

12 2318A603

13 2314J002

14 3525A101

15 3525A102

16 3525A103

17 3525A104

18 2481Y011

19 2481Y012

20 2646E019

21 2645K025

22

➡ Ref.n.21

! 21

Inglese

1 Pump

1 Pump

1 Ring

1 Solenoid

1 Nut

1 Washer

1 Gear

3 Screw

3 Washer

1 Stirrup

1 Screw

1 Nut

1 Screw

1 Pipe

1 Pipe

1 Pipe

1 Pipe

2 Clip

1 Clip

1 Clip

1 Nozzle

1 Nozzle

Engine

F E-Line Restyling (2010-) - RP56 - F90/GE/XL

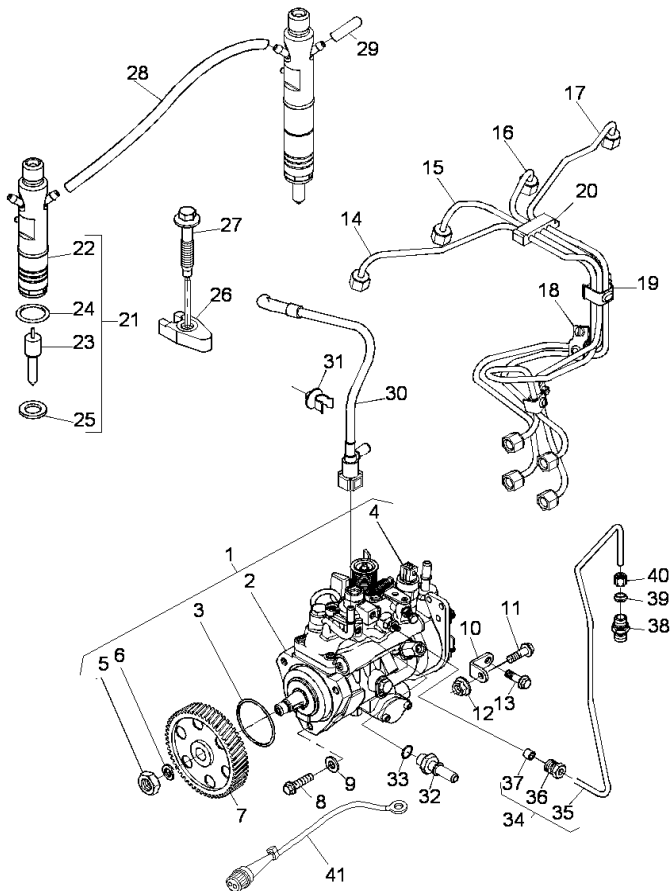
RP56\000015209.png

**A-05
08**



A0508

Fuel injection equipment (diesel)



		Inglese
23	➡ Ref.n.21	1 Jet
	! 21	
24	26460064 ! 21	1 Ring
25	L311FF02 ! 21	1 Washer
26	3751A241	4 Clamp
27	2314W009	4 Screw
28	2646F501	3 Pipe
29	2646E501	1 Cap
30	2646F007	1 Pipe
31	2481D456	1 Clip
32	3346A009	1 Connection
33	2415H009	1 O ring
34	4121A082	1 Pipe
35	! 34	1 Pipe
	➡ Ref.n.34	
36	➡ Ref.n.34	1 Nut
	! 34	
37	33811112 ! 34	1 Spinner
38	0206006 ● N.L.A.(1)	1 Union
39	0566002	1 Olive
40	0576111	1 Nut
41	A	1 Harness
!	This is a component of an assembly	
➡	Not serviced, order	
●	Replacement	

Engine

**A-05
08**

Fuel injection equipment (diesel)

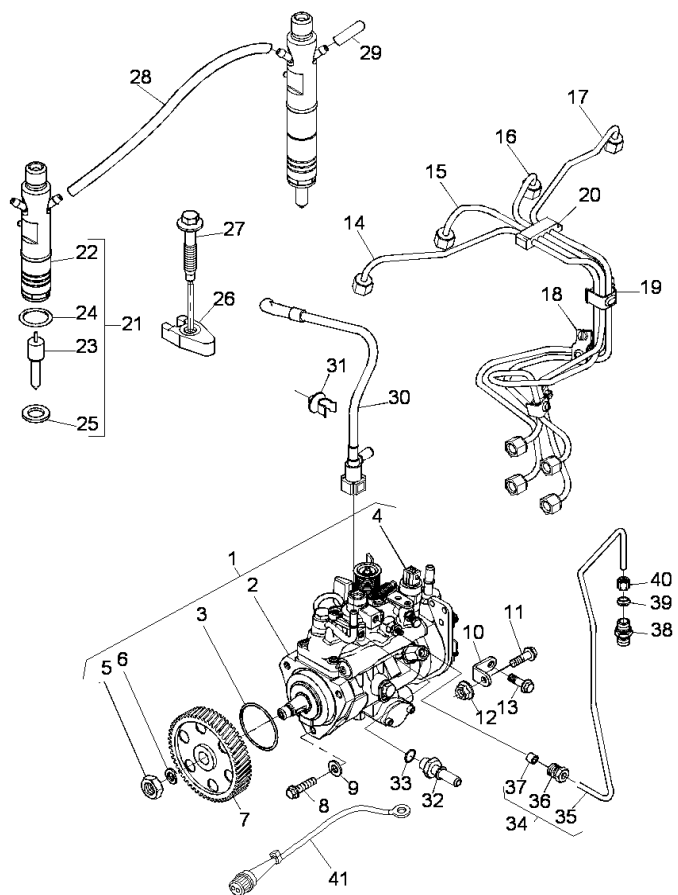
F E-Line Restyling (2010-) - RP56 - F90/GE/XL



A0508

RP56\000015209.png

A Not fitted on this application



Engine

F E-Line Restyling (2010-) - RP56 - F90/GE/XL

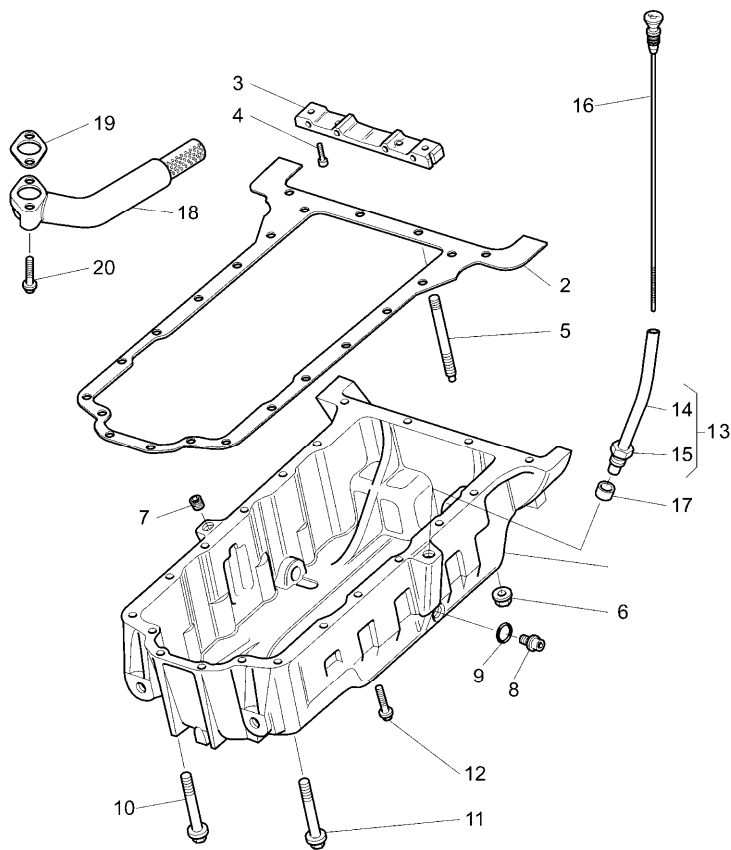
RP56\00011008.png

**A-05
09**



A0509

Lubricating oil sump



- | | | | |
|----|----------|-----|-------------|
| 1 | 3717E271 | T-A | 2:0 |
| 2 | 3681K036 | (X) | 1.2.3. |
| | | T-A | 2:0 |
| 3 | 3627P041 | T-A | 2:0 |
| 4 | 2311D039 | | |
| 5 | 3211P013 | | |
| 6 | 2318A603 | | |
| 7 | 2431A016 | | |
| 8 | 32186405 | | |
| 9 | 2415715 | | |
| 10 | 2314H023 | | |
| 11 | 2314H022 | ● | 2314H052(1) |
| 12 | 2314H015 | | |
| 13 | 3577A159 | | |
| 14 | | ! | 13 |
| | | ➡ | Ref. n.13 |
| 15 | 3353D005 | ! | 13 |
| 16 | 3178C081 | (X) | 1.2.4. |
| | | T-A | 0:25 |
| 17 | 33812116 | T-A | 0:25 |
| 18 | 3765A091 | T-A | 2:25 |
| 19 | 36832137 | T-A | 2:25 |
| 20 | 2314H006 | | |

Inglese

- 1 Crankcase
- 1 Gasket
- 1 Crosspiece
- 2 Screw
- 2 Stud
- 2 Nut
- 1 Plug
- 2 Plug
- 2 Ring
- 5 Screw
- 1 Screw
- 12 Screw
- 1 Pipe
- 1 Pipe
- 1 Nut
- 1 Rod
- 1 Olive
- 1 Pipe
- 1 Gasket
- 2 Screw

! This is a component of an assembly
 ➡ Not serviced, order

Engine

F E-Line Restyling (2010-) - RP56 - F90/GE/XL

A-05
09

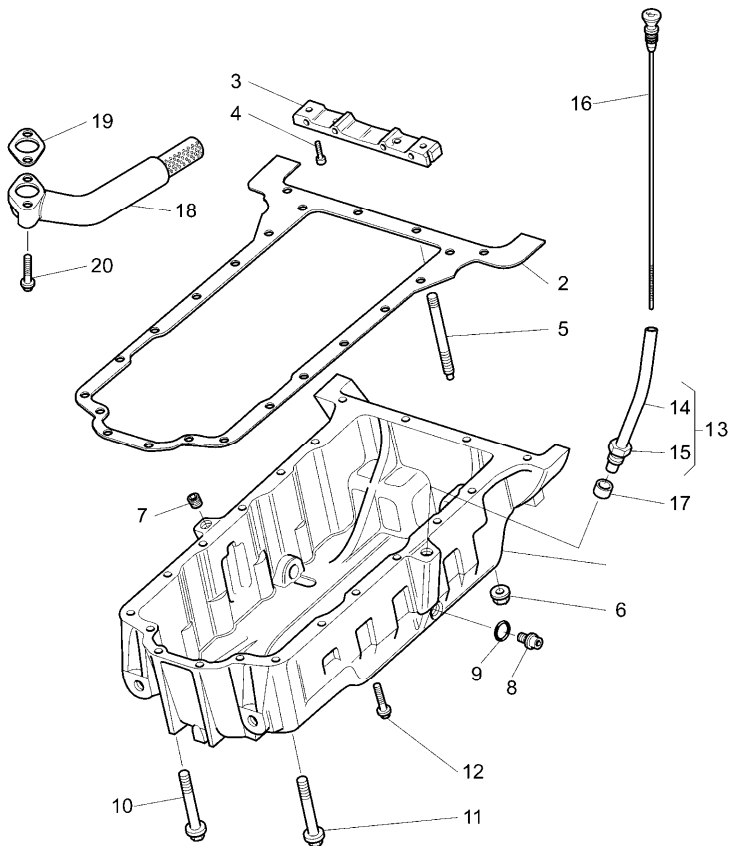


A0509

Lubricating oil sump

RP56\00011008.png

- Replacement
- (X) Qty per tractors sold (aa.bbb.ccc.ddd) (aa) for 1,(bbb) 2-10 (ccc) 11-25 (ddd) 26-50
- T-A Replacement



Engine

F E-Line Restyling (2010-) - RP56 - F90/GE/XL

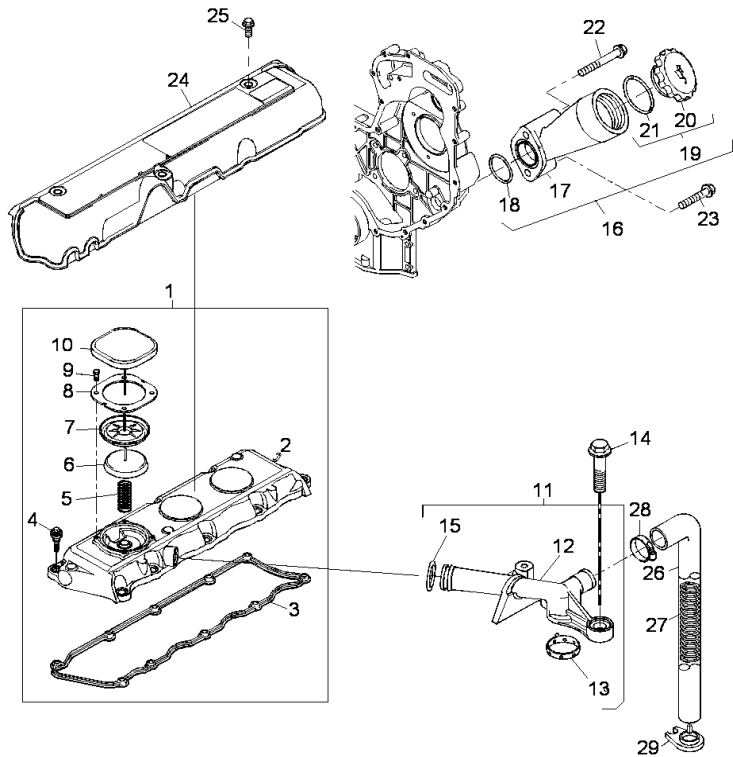
RP56\000015213.png

A-05
10



A0510

Lubricating oil filler and breather



		Inglese	
1	4142X322	● T417513(1)	1 Guard
2		! 1	1 Cover
3	3681A055	➡ Ref.n.1	1 Gasket
		(X) 0.1.3.	
		T-A 1:0	
4	2161A013	! 1	10 Screw
5	3174A017	! 1	1 Spring
		T-A 0:50	
6	3788A002	! 1	1 Cap
		T-A 0:25	
7	3789A001	! 1	1 Diaphragm
		T-A 0:25	
8	3615A009	! 1	1 Plate
		T-A 0:25	
9	2151A001	! 1	4 Screw
10	3788A003	! 1	1 Cap
		T-A 0:25	
11	4134K022		1 Pipe
12		! 11	1 Pipe
		➡ Ref.n.11	
13	2415H701	! 11	1 Ring
14	2314F005		2 Screw
15	2415A068	! 11	1 Ring
		T-A 0:50	
16	4134C073		1 Filler

Engine

F E-Line Restyling (2010-) - RP56 - F90/GE/XL

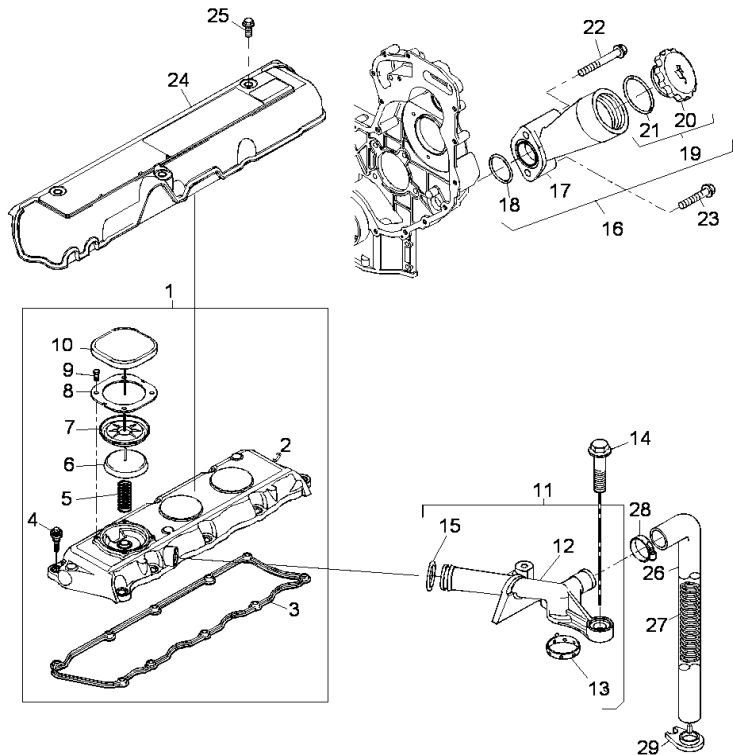
RP56\000015213.png

A-05
10



A0510

Lubricating oil filler and breather



Inglese

17	➡	Ref.n.16	1	Body	
	!	16			
18	2415H651	!	16	1	Ring
19	4142X098	!	16	1	Plug
	(X)	1.3.5.			
	T-A	0:25			
20	➡	Ref.n.19	1	Plug	
	!	19			
21	2415633	!	19	1	O ring
	T-A	0:25			
22	2314K161			1	Screw
23	2314H008			1	Screw
24	3788N003	T-A	0:50	1	Cover
25	2314F003			3	Screw
26	33872632			1	Pipe
27	3175P003			1	Spring
28	2481877			1	Clamp
29	36241123			1	Support

! This is a component of an assembly

➡ Not serviced, order

● Replacement

(X) Qty per tractors sold (aa.bbb.ccc.ddd) (aa) for 1,(bbb) 2-10 (ccc) 11-25 (ddd) 26-50

T-A Replacement

Engine

F E-Line Restyling (2010-) - RP56 - F90/GE/XL

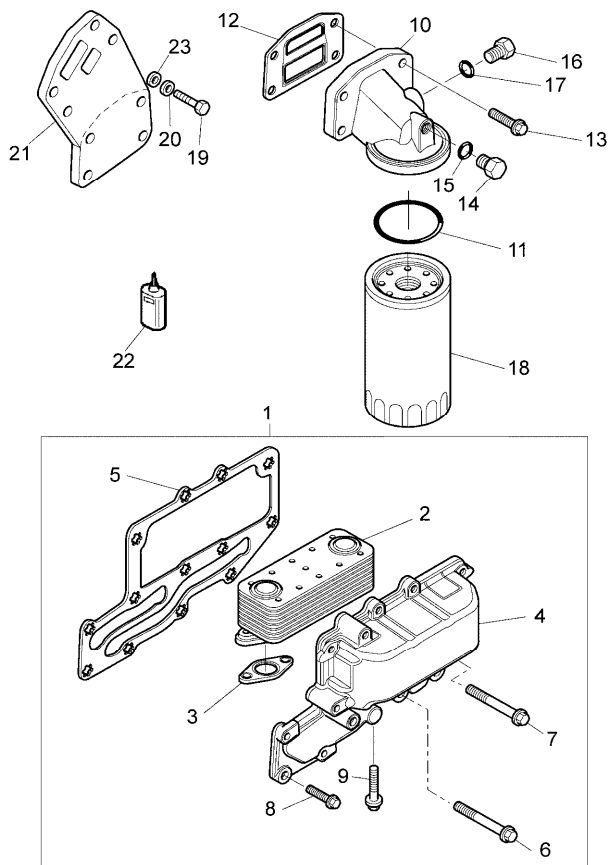
RP56\000015215.png

A-05
11



A0511

Heat exchanger and lubricating oil filter



		Inglese
1	4134W025	1 Radiator
2	2486A217 ! 1	1 Exchanger
3	3685A025 ! 1	2 Ring
4	T-A 1:0 ! 1	1 Exchanger
5	▶ Ref.n.1 3685A033 ! 1	1 Gasket
6	2314K161 ! 1	3 Screw
7	2314H004 ! 1	8 Screw
8	2314H004 ! 1	2 Screw
9	2314H006 ! 1	4 Screw
10	3773A061	1 Head
11	3672135M1	2 Gasket
12	3688A039 T-A 0:50	1 Gasket
13	2314H034	4 Screw
14	3278A007	1 Plug
15	2415H009 T-A 0:25	1 O ring
16	3278A004	1 Plug
17	2415H002 T-A 0:25	1 Ring
18	3652517M91 ● 2654403(1)	1 Filter
19	1440349X1 M8x30	4 Screw
19	339011X1 M8x45	4 Screw
20	390972X1 ● Substitutions error	4 Washer
21	3670728M1	1 Support
22	3663814M1 ● 1427801M2(999) 999 Loctite	



Suggest:

For more complete manuals. Please go to the home page.

<https://www.ebooklibonline.com>

If the above button click is invalid. Please download this document first, and then click the above link to download the complete manual.

Thank you so much for reading

Engine

F E-Line Restyling (2010-) - RP56 - F90/GE/XL

RP56\000015215.png

A-05
11



A0511

Heat exchanger and lubricating oil filter

Inglese

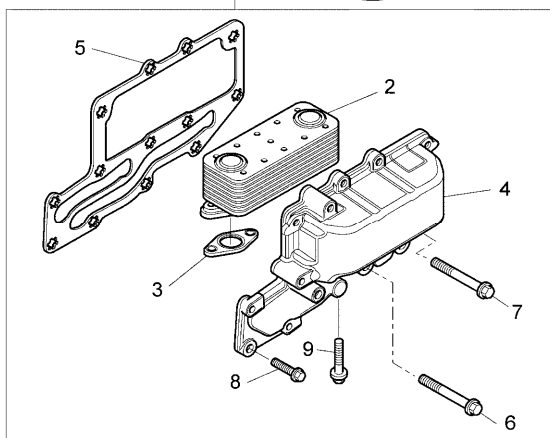
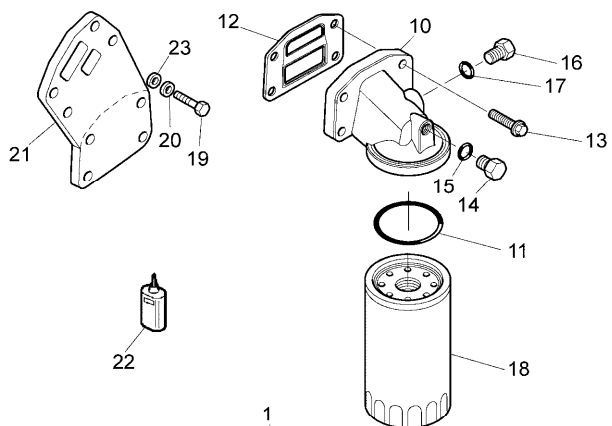
23 339374X1 ● Substitutions error 4 Washer

! This is a component of an assembly

▣ Not serviced, order

● Replacement

T-A Replacement



Engine

F E-Line Restyling (2010-) - RP56 - F90/GE/XL

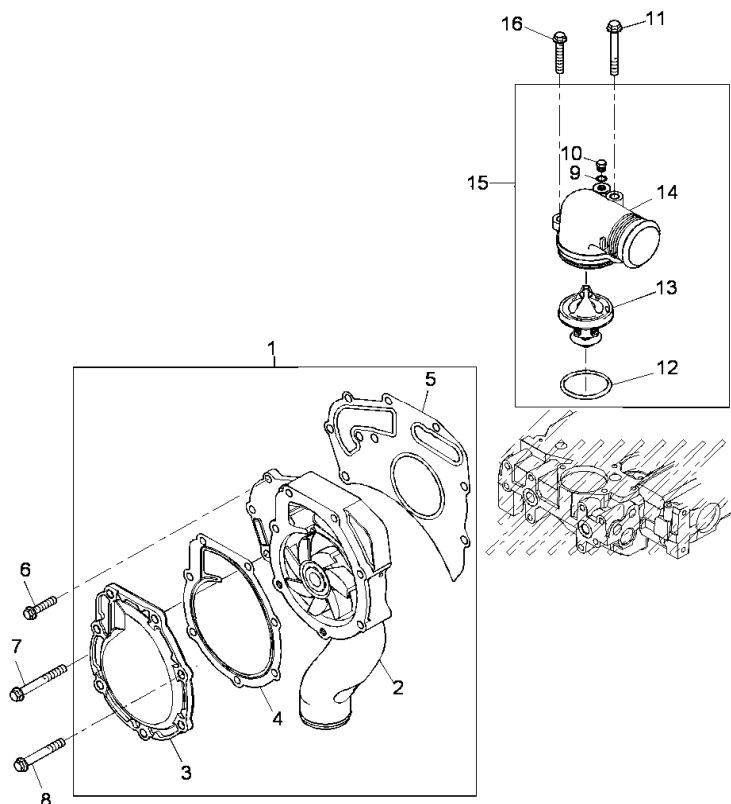
RP56\000015216.png

**A-05
12**



A0512

Water pump, thermostat and heat exchanger



		Inglese
1	U5MW0208	1 Kit
2	! 1	1 Pump
	➡ Ref.n.1	
3	! 1	1 Cover
	➡ Ref.n.1	
4	24880234 ! 1	1 Guard
5	3682A011 ! 1	1 Gasket
6	2314H005	2 Screw
7	2314K164	2 Screw
8	2314H012	5 Screw
9	29990016 ! 15	1 O ring
10	29990015 ! 15	1 Plug
11	2314H012	1 Screw
12	2415H219 ! 15	1 Ring
13	➡ Ref.n.15	1 Thermostat
	! 1	
14	➡ Ref.n.15	1 Connection
	! 15	
15	4133L508	1 Connection
16	2314H004	1 Screw
!	This is a component of an assembly	
➡	Not serviced, order	

<https://www.ebooklibonline.com>

Hello dear friend!

Thank you very much for reading.

Enter the link into your browser.

The full manual is available for immediate download.

<https://www.ebooklibonline.com>