

Engine - 3-cylinders

F E-Line Restyling (2010-) - RP56 - F85/GE

RP56\00005170.png

A-05
01



A0501

Engine assembly

Inglese

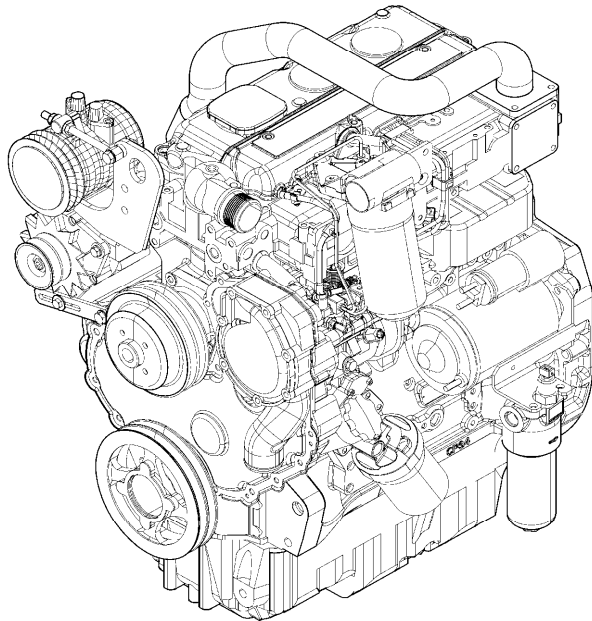
1 4219712M91 Perkins - xm7532 1 Engine

B

58 kw

B With 3-cylinders engine

1



Engine - 3-cylinders

F E-Line Restyling (2010-) - RP56 - F85/GE

RP56\000015152.png

**A-05
011**

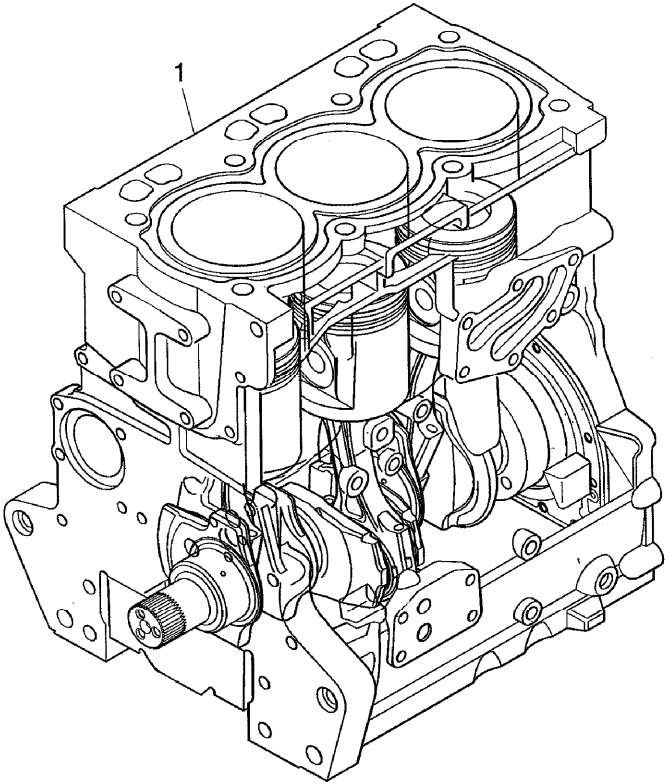


A05011

Short engine

Inglese

- A
 - 1 XM40012
 - A With 3-cylinders engine
- 1 Cylinder block



Engine - 3-cylinders

F E-Line Restyling (2010-) - RP56 - F85/GE

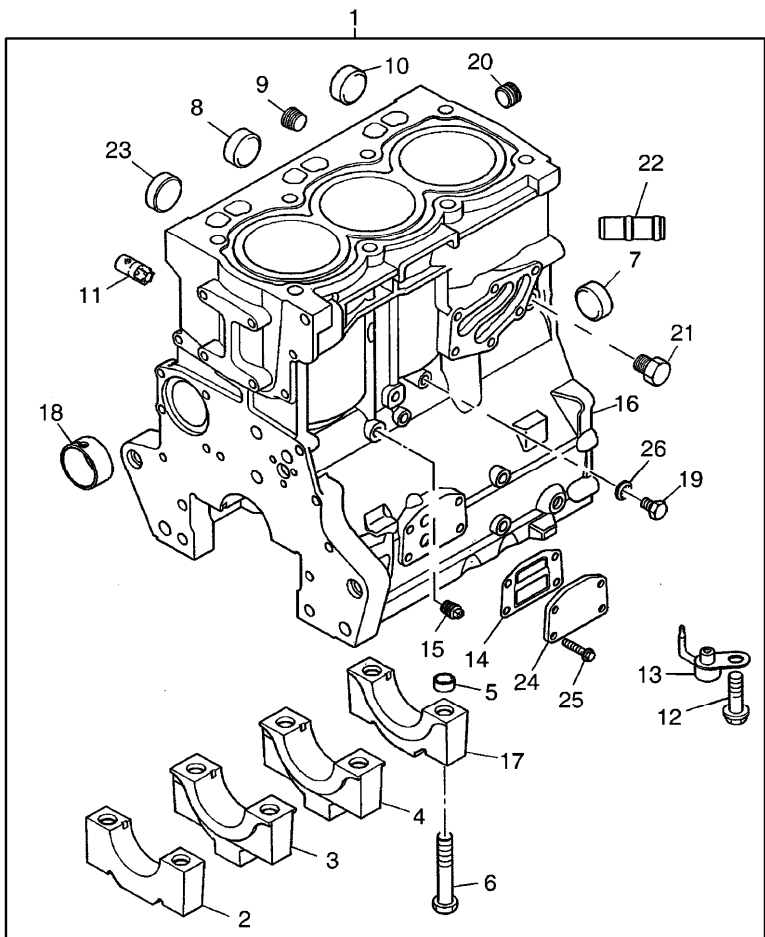
RP56\000015153.png

**A-05
02**



A0502

Cylinder block



		Inglese	
1	4181V016	T-A 27:0	1 Cylinder block
2		! 1	1 Bearing
		➡ Ref.n.1	
3		! 1	1 Bearing
		➡ Ref.n.1	
4		! 1	1 Bearing
		➡ Ref.n.1	
5	33142111	! 1	8 Manicott
6	32166329	! 1	8 Screw
7	3241A012	! 1	1 Plug
8	3241A011	! 1	2 Plug
9	0650588	! 1	1 Plug
		T-A 0:25	
10	0650710	! 1	1 Plug
		T-A 0:25	
11	3212V006	! 1	1 Plug
12	2314F001	! 1	3 Screw
13	2113A003	! 1	3 Atomiser
14	3688A039	! 1	2 Gasket
15	0650594	! 1	1 Plug
16		! 1	1 Cylinder
		➡ Ref. n. 1	
17		! 1	1 Bearing
		➡ Ref. n. 1	

<https://www.ebooklibonline.com>

Hello dear friend!

Thank you very much for reading.

Enter the link into your browser.

The full manual is available for immediate download.

<https://www.ebooklibonline.com>

Engine - 3-cylinders

F E-Line Restyling (2010-) - RP56 - F85/GE

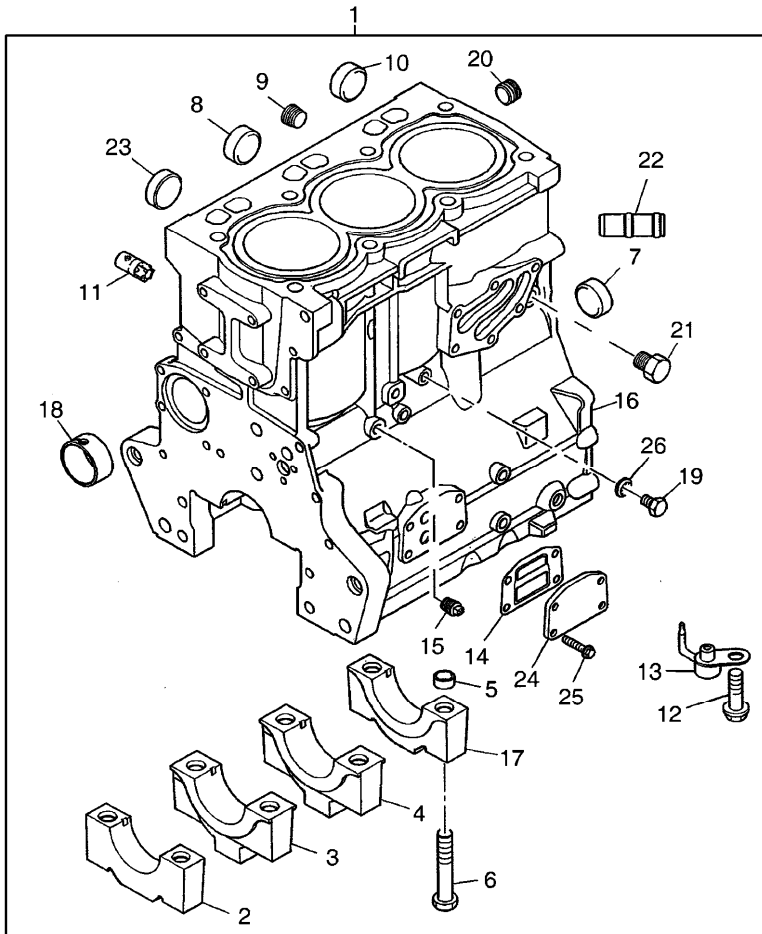
RP56\000015153.png

A-05
02



A0502

Cylinder block



		Inglese			
18	3112D071	!	1	1	Bush
		●	3112D075(1)		
19	2314C049	!	1	1	Screw
20	3212P008	!	1	1	Plug
21	32141316	!	1	1	Plug
22	3313A022	!	1	1	Pipe
23	2485A108	!	1	1	Plug
24	3623A009	!	1	2	Plate
25	2314H033	!	1	8	Screw
26	2415D053	!	1	1	Washer

- ! This is a component of an assembly
- ▣ Not serviced, order
- Replacement
- T-A Replacement

Engine - 3-cylinders

F E-Line Restyling (2010-) - RP56 - F85/GE

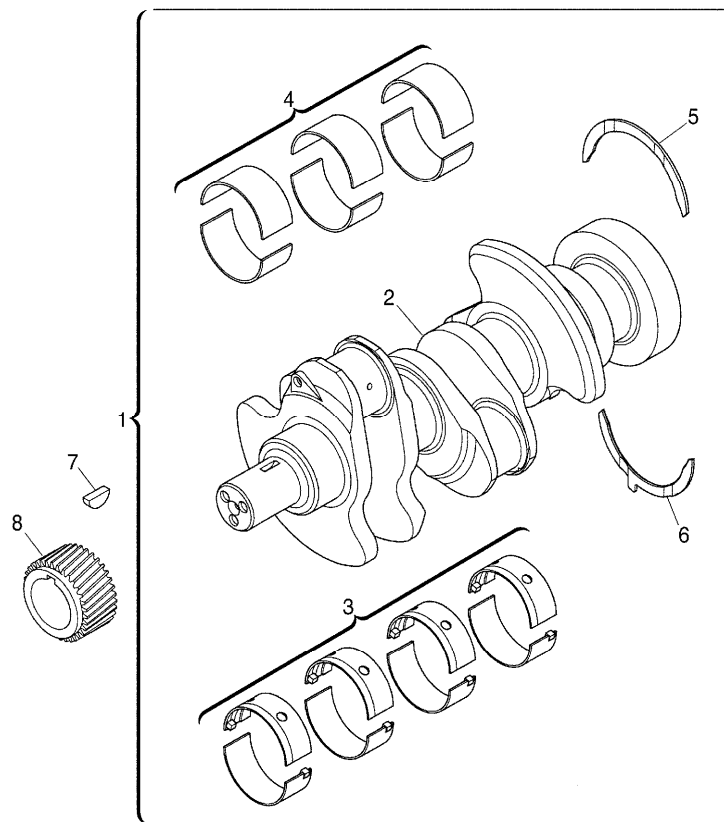
RP56\000020599.png

**A-05
04**



A0504

Camshaft



Inglese

1	4181V017	T-A	15:0	1	Shaft
2		!	1	1	Shaft
		➡	Ref.n.1		
3	U5MB0019	!	1	1	Kit
		●	U5MB0037(1)		
		T-A	15:0		
3	U5MB0019A	!	1	1	Kit
		⚡	-0,25mm		
3	U5MB0019B	!	1	1	Kit
		⚡	-0,50mm		
		●	U5MB0037B(1)		
3	U5MB0019C	!	1	1	Kit
		⚡	-0,75mm		
4	U5ME0027	!	1	1	Kit
		●	U5ME0033(1)		
5	31137312	⚡	0.007"	2	Ring
		!	1		
		T-A	15:0		
5	31137551	!	1	2	Washer
		T-A	15:0		
6	31137322	!	1	2	Ring
		⚡	0.007"		
		T-A	15:0		
6	31137561	!	1	2	Washer
		T-A	15:0		
7	3117C221	T-A	10:0	1	Gear

Engine - 3-cylinders

F E-Line Restyling (2010-) - RP56 - F85/GE

RP56\000020599.png

A-05
04






A0504

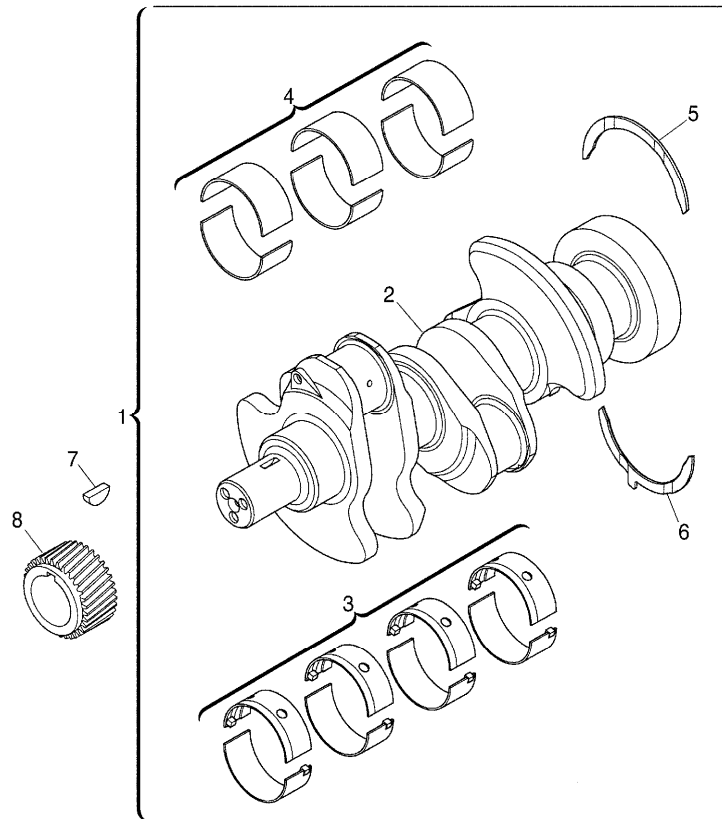
Camshaft

Inglese

8 0500012 T-A 10:0

1 Key

- ! This is a component of an assembly
-  Not serviced, order
-  Shim
-  Replacement
- T-A Replacement



Engine - 3-cylinders

F E-Line Restyling (2010-) - RP56 - F85/GE

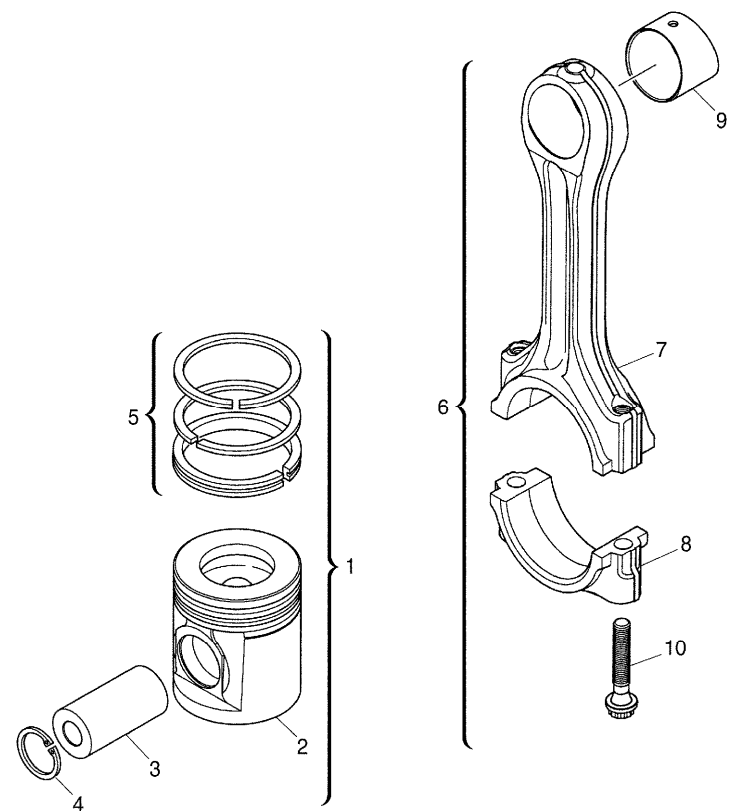
RP56\000020600.png

A-05
05



A0505

Pistons and connecting rods



		Inglese
1	U5PR0064	3 Kit
2	!	1 Piston
	➡ Ref.n.1	
3	!	1 Bush
	➡ Ref.n.1	
4	2721332	2 Ring
5	UPRK0005	1 Kit
6	4115C311	3 Kit
	T-A 14:0	
6	4115C312	3 Kit
	T-A 14:0	
6	4115C313	3 Kit
	T-A 14:0	
6	4115C314	3 Kit
	T-A 14:0	
6	4115C315	3 Kit
	T-A 14:0	
6	4115C316	3 Kit
	T-A 14:0	
7	!	1 Conrod
	➡ Ref.n.6	
8	!	1 Cap
	➡ Ref.n.6	
9	3112A005	1 Bush
	T-A 14:0	

Engine - 3-cylinders

F E-Line Restyling (2010-) - RP56 - F85/GE

RP56\000020600.png

A-05
05



A0505

Pistons and connecting rods

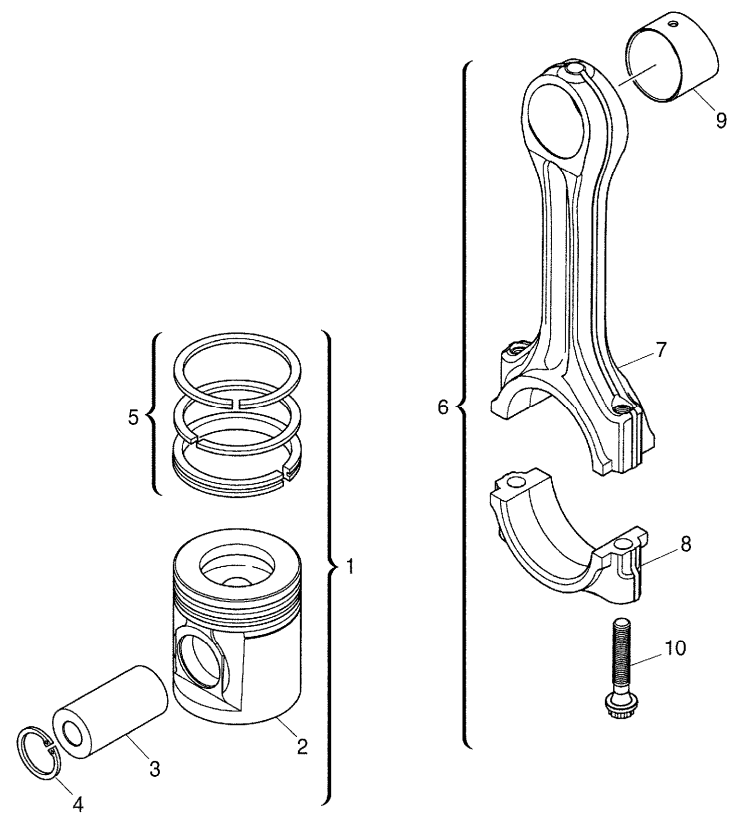
Inglese

10 3212V003 ! 6

2 Screw

A

- ! This is a component of an assembly
- Not serviced, order
- T-A Replacement
- A Do not reuse once it has been removed
- B Red
- C Orange
- D White
- E Green
- F Purple
- G Blue



Engine - 3-cylinders

F E-Line Restyling (2010-) - RP56 - F85/GE

RP56\000020598.png

A-05
06



A0506

End cover

1 2418F704 T-A 9:0

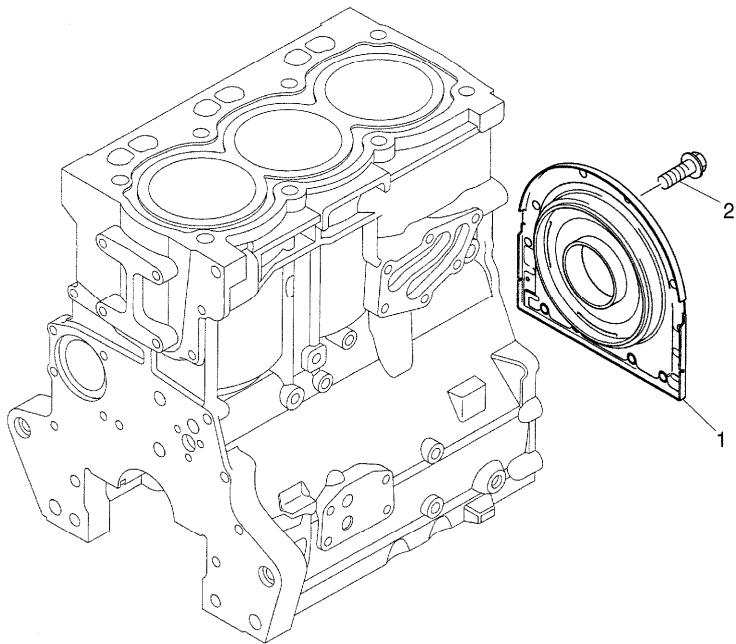
2 3211C002

T-A Replacement

Inglese

1 Housing

10 Screw



Engine - 3-cylinders

F E-Line Restyling (2010-) - RP56 - F85/GE

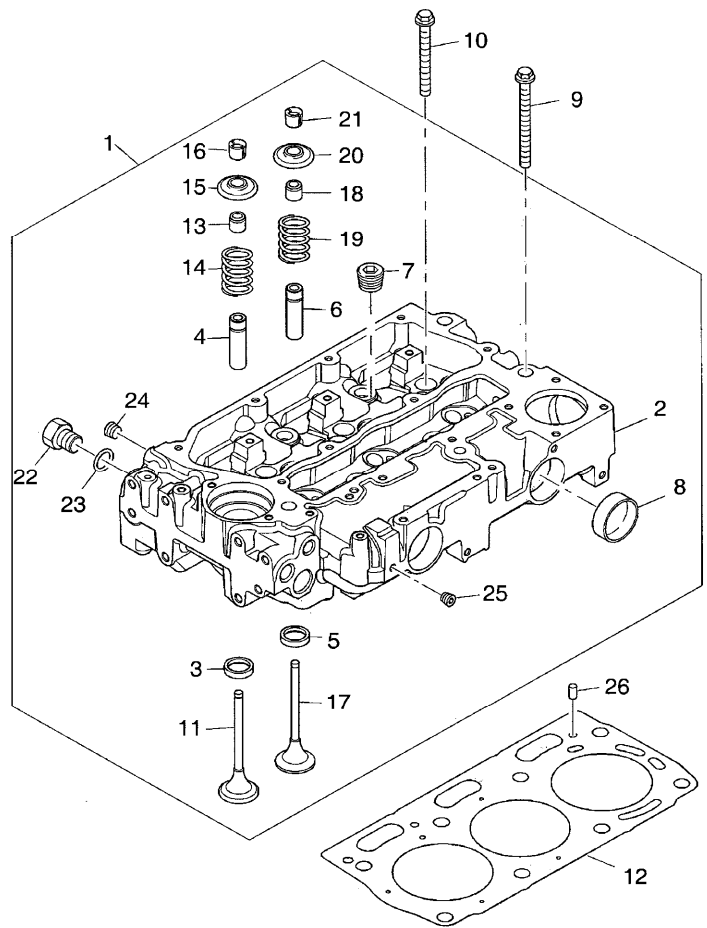
RP56\000015154.png

**A-05
07**



A0507

Cylinder head



		Inglese	
1	ZZ80282	1	Cylinder head
2	!	1	Cylinder head
	➡ Ref.n.1		
3	3314A241	!	3 Insert
4	3313A012	!	3 Insert
5	3314A231	!	3 Insert
6	3313A012	!	3 Insert
7	0650588	!	3 Plug
8	32416117	!	3 Plug
9	3218A012		3 Screw
10	3218A011		5 Screw
11	3142H111	!	3 Valve
12	3681E049		1 Gasket
13	2418M519	!	3 Ring
	A		
14	3174A031	!	3 Spring
	● T417479(3)		
15	3342A021	!	3 Coperch.
16	2714A002	!	6 Collar
17	3142A171	!	3 Valve
18	2418M517	!	3 Ring
	B		
19	3174A031	!	3 Spring
	● T417479(3)		
20	3342A021	!	3 Coperch.

Engine - 3-cylinders

F E-Line Restyling (2010-) - RP56 - F85/GE

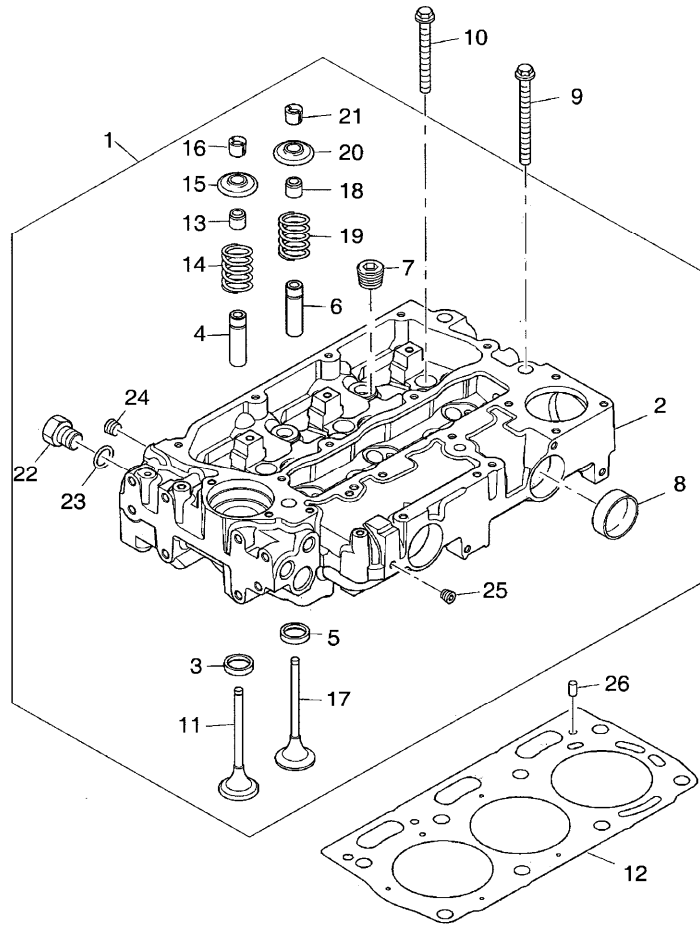
RP56\000015154.png

A-05
07



A0507

Cylinder head



- 21 2714A002 ! 1
- 22 3278A006 ! 1
- 23 2415H003 ! 1
- 24 2431154 ! 1
- 25 2431154 ! 1
- 26 3244A009 2

- ! This is a component of an assembly
- Not serviced, order
- Replacement
- A Green
- B Brown

Inglese

- 6 Collar
- 1 Plug
- 1 Ring
- 1 Plug
- 1 Plug
- 2 Dowel

Engine - 3-cylinders

F E-Line Restyling (2010-) - RP56 - F85/GE

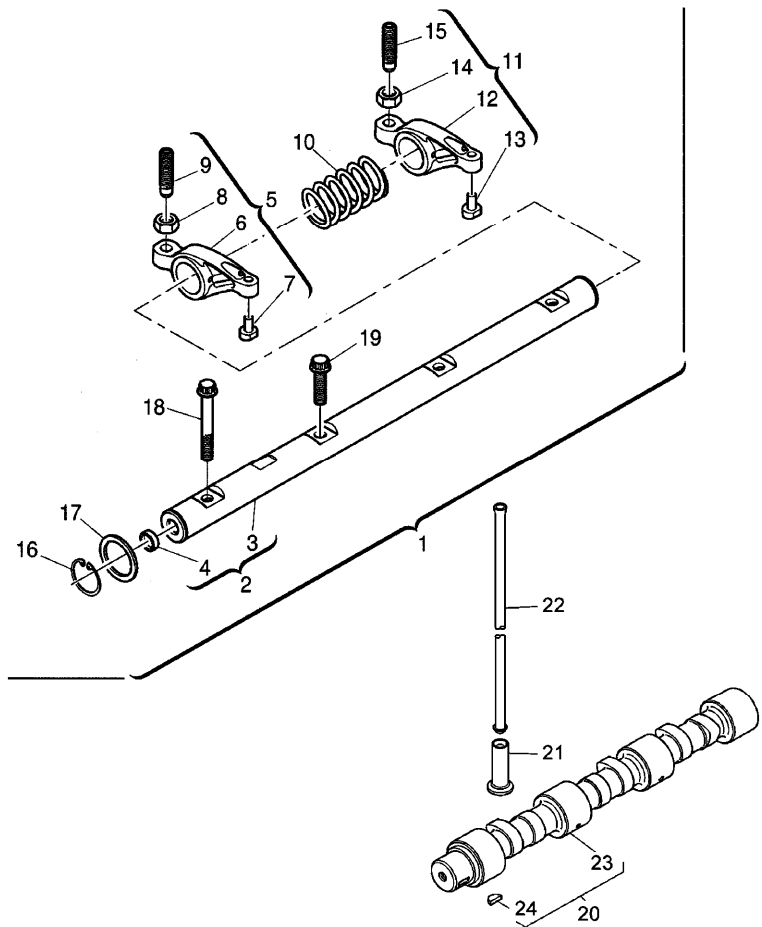
RP56\000015155.png

A-05
08



A0508

Rocker shaft



		Inglese
1	4115R614	1 Rocker
2	4115R702	1 Shaft
	T-A 4:0	
3		1 Rockerarm
	➡ Ref.n.2	
4	2485A104	2 Plug
5	4115R319	3 Lever
6		1 Rocker
	➡ Ref.n.5	
7		1 Pad
	➡ Ref.n.5	
8	3331A006	1 Nut
9	3211C004	1 Screw
10	3174A015	2 Spring
	T-A 4:0	
11	4115R318	3 Lever
12		1 Rocker
	➡ Ref.n.11	
13		1 Pad
	➡ Ref.n.11	
14	3331A006	1 Nut
15	3211C004	1 Screw
16	2722A022	2 Ring
17	2134A502	2 Washer
18	2316A901	1 Screw

Engine - 3-cylinders

F E-Line Restyling (2010-) - RP56 - F85/GE

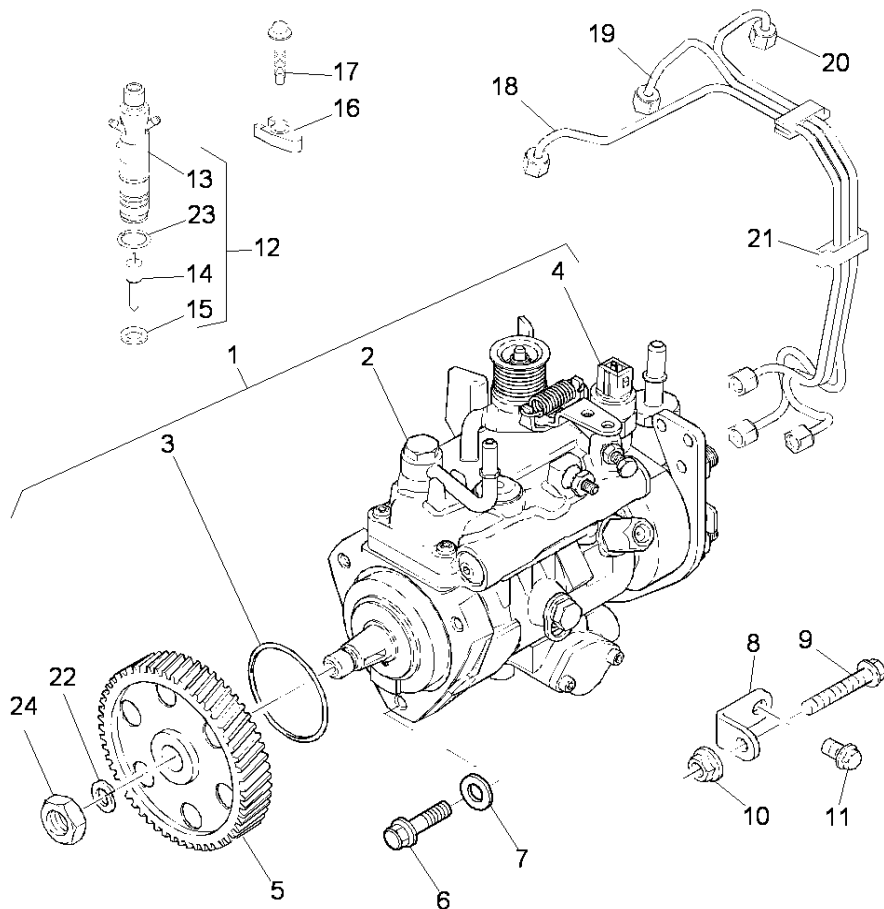
RP56\00040017.png

**A-05
09**



A0509

Fuel injection equipment (diesel)



		Inglese
1	2643B361/22	1 Pump
2	!	1 Pump
	➡ Ref.n.1	
3	26420318	1 Ring
	T-A 4:50	
4	26420469	1 Solenoid
	(X) 1.2.5.	
	T-A 0:25	
	T-A 4:50	
5	3117L261	1 Gear
6	2314H004	3 Screw
7	2411D008	3 Washer
8	3641A007	1 Stirrup
9	2314H003	1 Screw
10	2318A603	1 Nut
11	2314J002	1 Screw
12	2645K030	3 Nozzle
13	!	1 Atomiser
	➡ Ref.n.12	
14	!	1 Nozzle
	➡ Ref.n.12	
15	L311FF02	1 Washer
	T-A 2:0	
16	3751A241	3 Clamp
	(X) 1.4.8.1	
	T-A 2:0	
17	2314W009	3 Screw

Engine - 3-cylinders

F E-Line Restyling (2010-) - RP56 - F85/GE

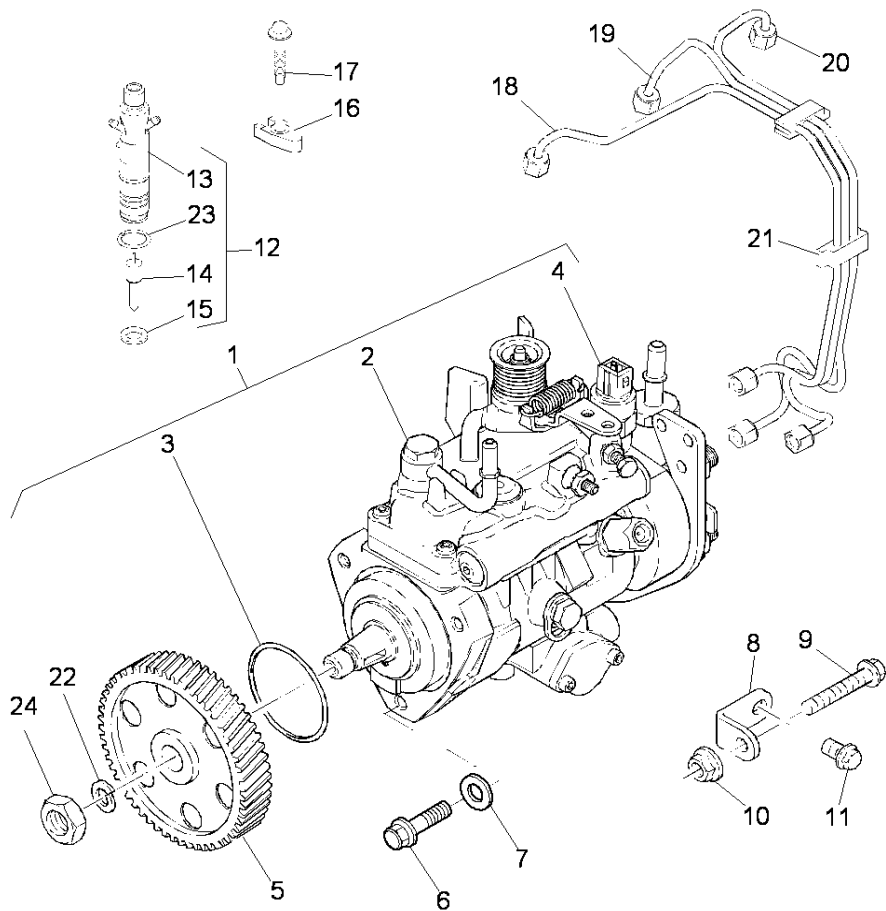
RP56\00040017.png

**A-05
09**



A0509

Fuel injection equipment (diesel)



Inglese

18	3525A111			1	Pipe
19	3525A112			1	Pipe
20	3525A113			1	Pipe
21	2646E018			2	Clip
22	K134AF01	!	1	1	Washer
23	26460064	!	12	1	Ring
24	2318A108	!	1	1	Nut

! This is a component of an assembly

Not serviced, order

(X) Qty per tractors sold (aa.bbb.ccc.ddd) (aa) for 1,(bbb) 2-10 (ccc) 11-25 (ddd) 26-50

T-A Replacement

Engine - 3-cylinders

F E-Line Restyling (2010-) - RP56 - F85/GE

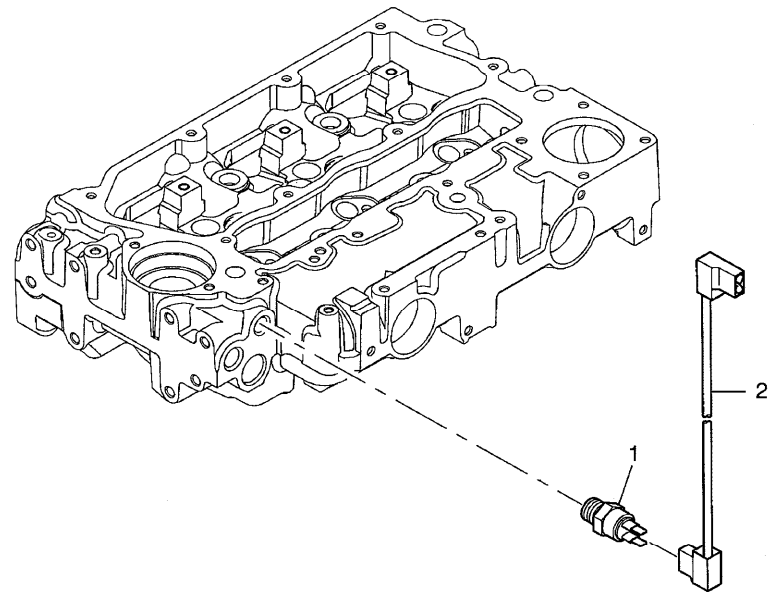
RP56\000015170.png

A-05
10



A0510

Sensor pickup



- 1 2848A123 A
 - 2 3161C017 T-A 0:50
- T-A Replacement
A Water temperature

Inglese

- 1 Sensor
- 1 Cable

Engine - 3-cylinders

F E-Line Restyling (2010-) - RP56 - F85/GE

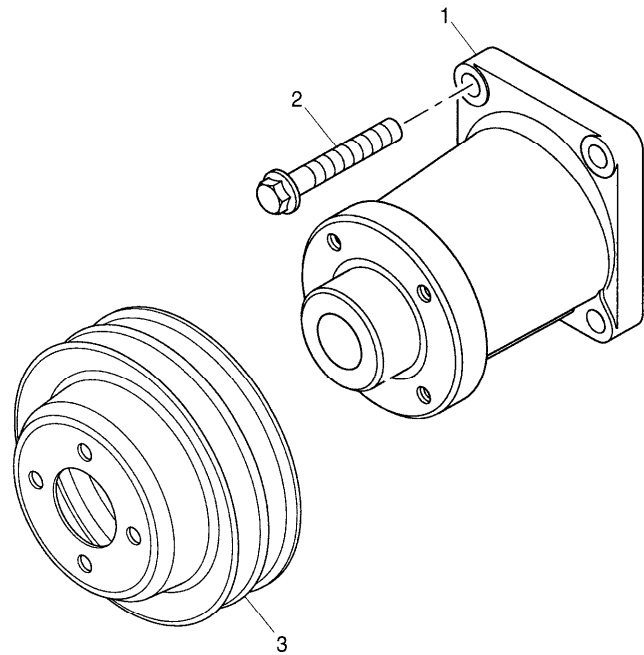
RP56\000020531.png

A-05
11



A0511

Fan-type pulley



- 1 4113K005 T-A 1:75
 - 2 2314J005
 - 3 3115C113
- T-A Replacement

Inglese

- 1 Housing
- 4 Screw
- 1 Pulley

Engine - 3-cylinders

F E-Line Restyling (2010-) - RP56 - F85/GE

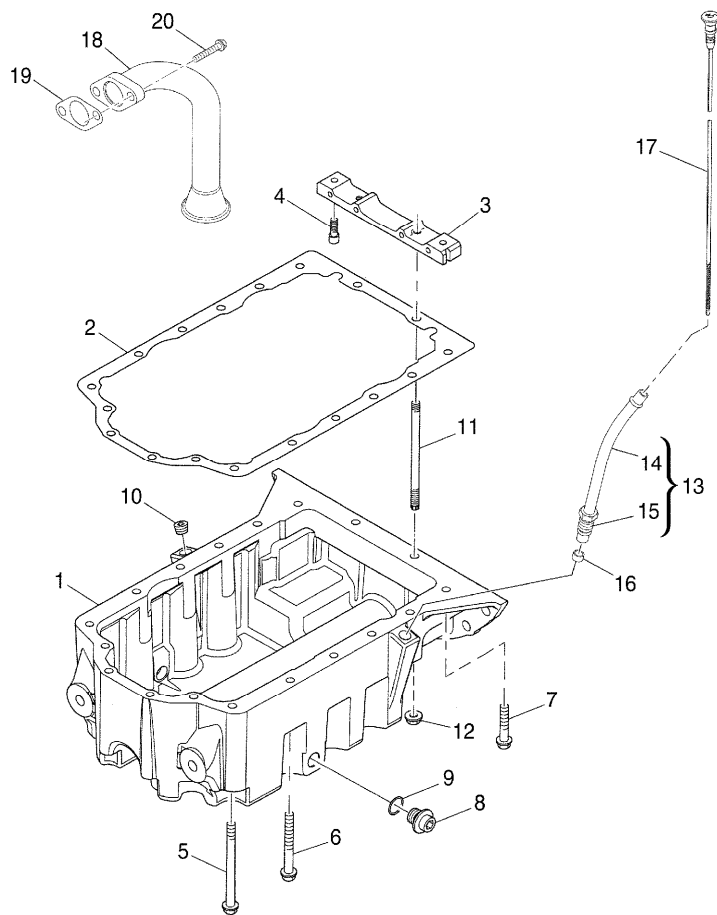
RP56\000020608.png

A-05
12



A0512

Lubricating oil sump



1	3717C142			
2	3681K038	(X)	1.5.8.1	
		T-A	1:50	
3	3627P041	T-A	1:50	
4	2311D039			
5	2314H022	●	2314H052(6)	
6	2314H015			
7	2314K159			
8	32186405	T-A	0:25	
9	2415715	T-A	0:25	
10	2431A016			
11	3211P022			
12	2318A603			
13	3577A159			
14		!	13	
		➡	Ref.n.13	
15	3353D005	!	13	
16	33812116			
17	3178C081			
18	3575A064	T-A	1:50	
19	36832137	T-A	1:50	
20	2314H004			

Inglese

1	Sump
1	Gasket
1	Crosspiece
2	Screw
6	Screw
8	Screw
2	Screw
2	Plug
2	Ring
1	Plug
2	Stud
2	Nut
1	Pipe
1	Pipe
1	Nut
1	Olive
1	Rod
1	Pipe
1	Gasket
2	Screw

- ! This is a component of an assembly
- ➡ Not serviced, order
- Replacement

Engine - 3-cylinders

F E-Line Restyling (2010-) - RP56 - F85/GE

RP56\000020608.png

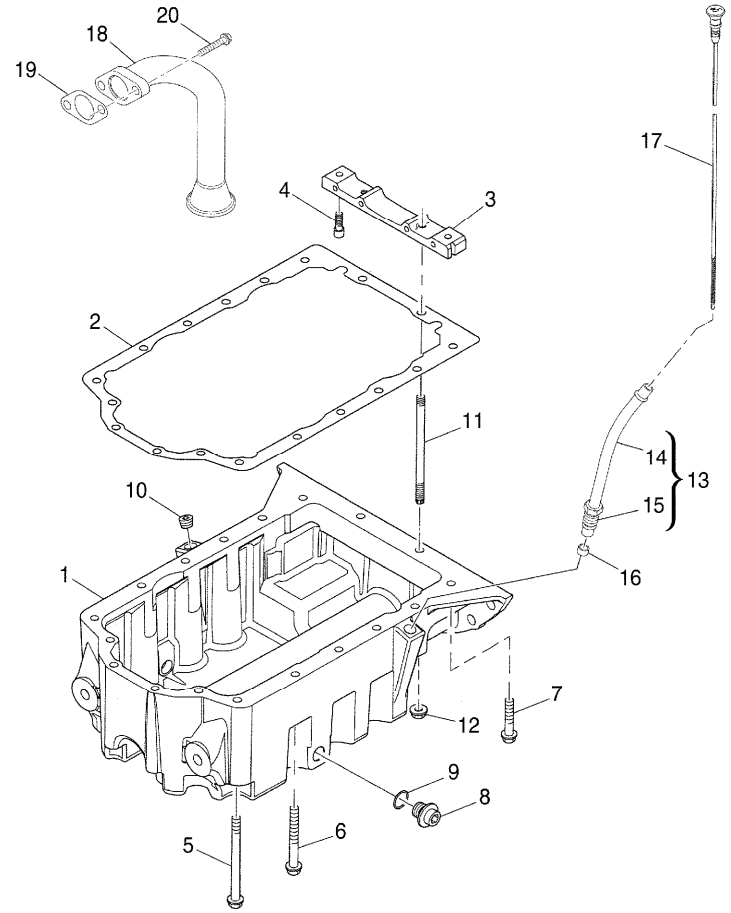
A-05
12



A0512

Lubricating oil sump

(X) Qty per tractors sold (aa.bbb.ccc.ddd) (aa) for 1,(bbb) 2-10 (ccc) 11-25 (ddd) 26-50
T-A Replacement



Engine - 3-cylinders

F E-Line Restyling (2010-) - RP56 - F85/GE

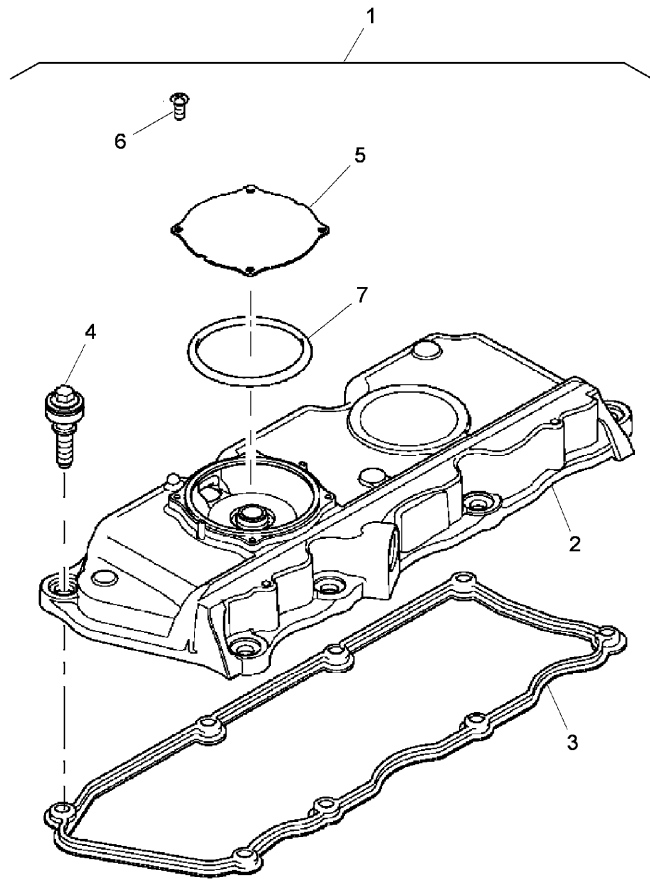
RP56\00008837.png

A-05
13



A0513

Cylinder head cover



			Inglese
1	4142X394		1 Coperch.
2		! 1	1 Cover
		➡ Ref.n.1	
3	3681A057	! 1	1 Gasket
		(X) 1.2.5.1	
		T-A 1:0	
4	2161A013	! 1	8 Screw
5	3615A034	! 1	1 Support
6	2152A034	! 1	4 Screw
7	3789A004	! 1	1 Gasket
!	This is a component of an assembly		
➡	Not serviced, order		
(X)	Qty per tractors sold (aa.bbb.ccc.ddd) (aa) for 1,(bbb) 2-10 (ccc) 11-25 (ddd) 26-50		
T-A	Replacement		

Engine - 3-cylinders

F E-Line Restyling (2010-) - RP56 - F85/GE

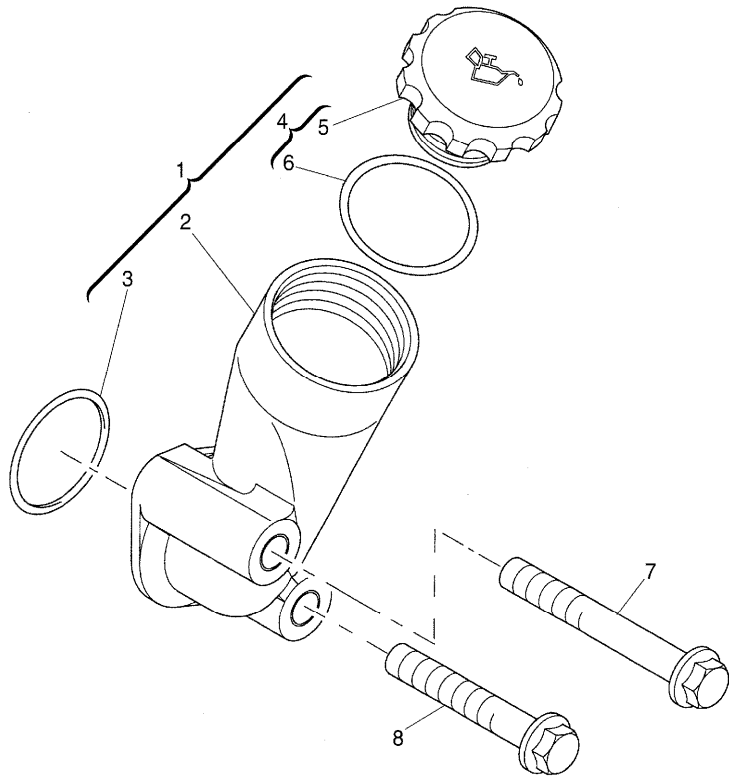
RP56\000020610.png

A-05
14



A0514

Filler



			Inglese
1	4134C073		1 Filler
2		! 1	1 Body
		➡ Ref.n.1	
3	2415H651	! 1	1 Ring
4	4142X098	! 1	1 Plug
		T-A 0:25	
5		! 4	1 Plug
		➡ Ref.n.4	
6	2415633	! 4	1 O ring
		T-A 0:25	
7	2314K161		1 Screw
8	2314H008		1 Screw
		! This is a component of an assembly	
		➡ Not serviced, order	
		T-A Replacement	

Engine - 3-cylinders

F E-Line Restyling (2010-) - RP56 - F85/GE

RP56\000015157.png

A-05
15



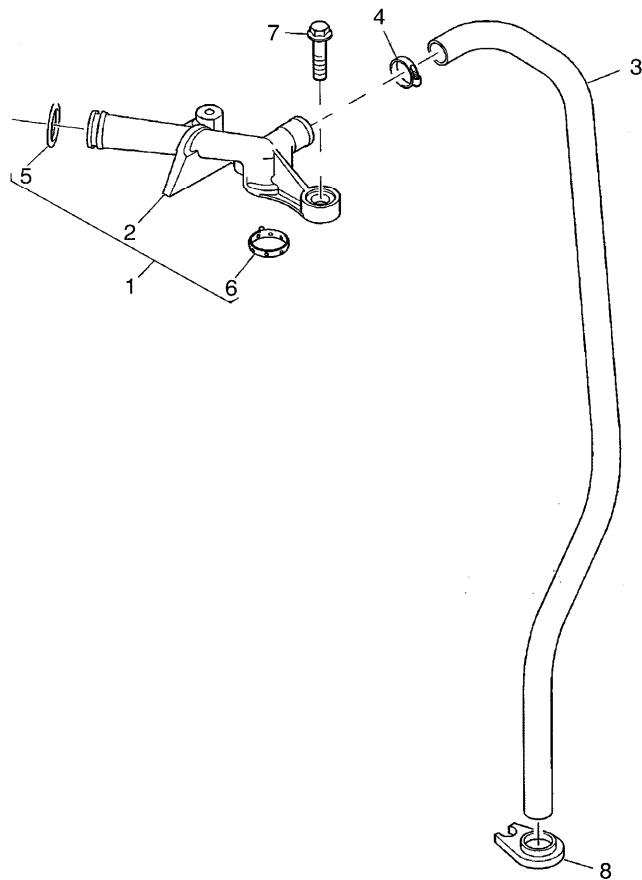
A0515

Breather

Inglese

1	4134K022			1 Pipe
2		!	1	1 Pipe
		➡	Ref.n.1	
3	3482V094			1 Pipe
4	2481863	●	21825195(1)	1 Clamp
5	2415A068	!	1	1 Ring
		T-A	0:50	
6	2415H701	!	1	1 Ring
7	2314F005			2 Screw
8	36241123			1 Support

! This is a component of an assembly
➡ Not serviced, order
● Replacement
T-A Replacement





Suggest:

For more complete manuals. Please go to the home page.

<https://www.ebooklibonline.com>

If the above button click is invalid. Please download this document first, and then click the above link to download the complete manual.

Thank you so much for reading

Engine - 3-cylinders

F E-Line Restyling (2010-) - RP56 - F85/GE

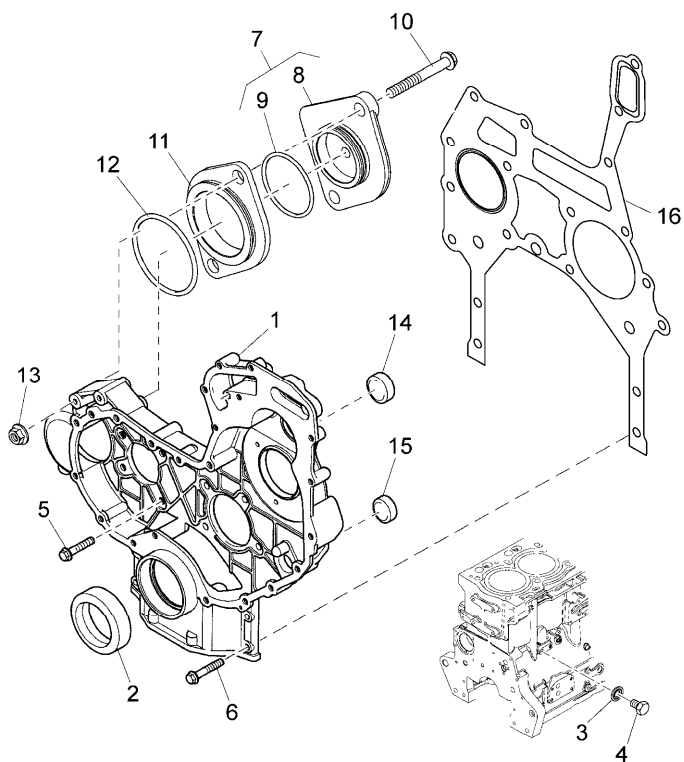
RP56\000015158.png

A-05
16



A0516

Gasket sets



		Inglese
1	3716C581	1 Housing
2	2418F437	1 Seal
3	2415D053	1 Washer
4	2314C049	1 Screw
5	2314H003	8 Screw
6	2314H034	4 Screw
7	4148K012	1 Plate
8	!	7
	➡	Ref.n.7
9	2415H515	! 7
10	2314J014	2 Screw
11	3617A021	T-A 4:75
12	2415H516	1 O ring
13	2318A604	2 Nut
14	2485A124	T-A 4:75
15	2485A124	T-A 4:75
16	3681P053	1 Gasket

! This is a component of an assembly
➡ Not serviced, order
T-A Replacement

Engine - 3-cylinders

F E-Line Restyling (2010-) - RP56 - F85/GE

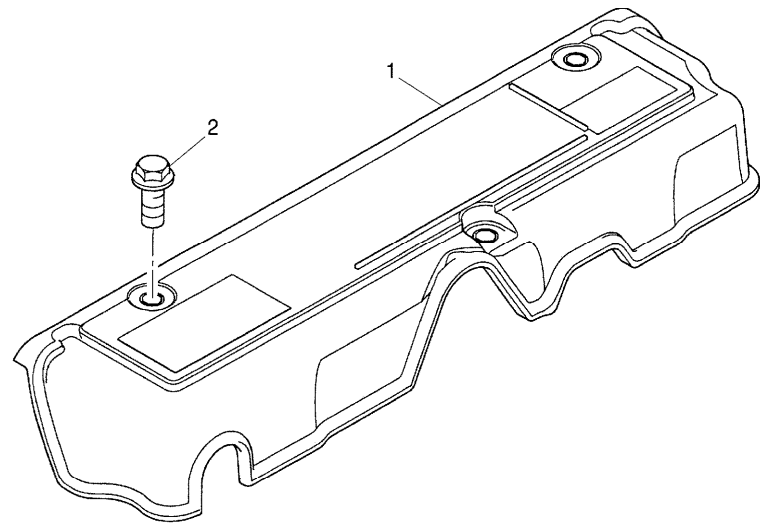
RP56\000020612.png

A-05
17



A0517

Cylinder head cover



1 3788N004 T-A 0:50

2 2314F003

T-A Replacement

Inglese

1 Guard

3 Screw

<https://www.ebooklibonline.com>

Hello dear friend!

Thank you very much for reading.

Enter the link into your browser.

The full manual is available for immediate download.

<https://www.ebooklibonline.com>