

Engine

F E-Line Restyling (2010-) - RP56 - F80/GE/XL

RP56\00010996.png

A-05
01



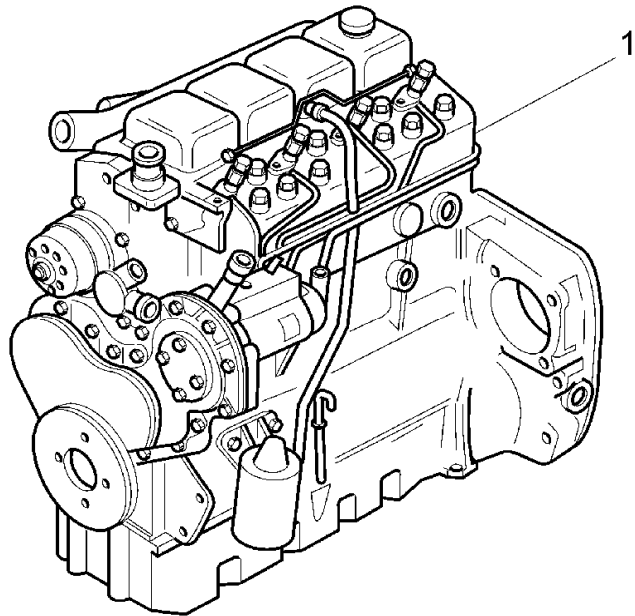
A0501

Engine assembly

Inglese

1 3692627M91

Perkins - nk38936 1 Engine
54.5kw



Engine

F E-Line Restyling (2010-) - RP56 - F80/GE/XL

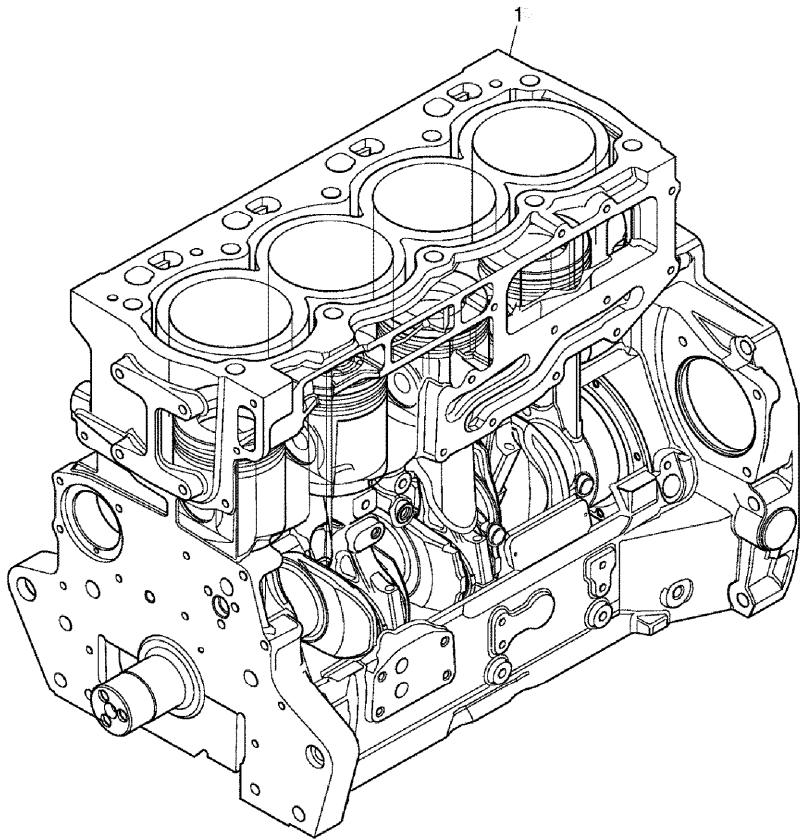
RP56\000015070.png

A-05
02



A0502

Short engine



- | | | | | | |
|---|---------|--|----------------------------------|---|----------------|
| 1 | NK40010 | | U056074 t | 1 | Cylinder block |
| | | | 3115A141(1),
32186146(3), NK4 | | |
| 1 | NK40017 | | U056075 t | 1 | Cylinder block |

- From serial or engine number
- Up to serial or engine number
- Replacement

Inglese

Engine

F E-Line Restyling (2010-) - RP56 - F80/GE/XL

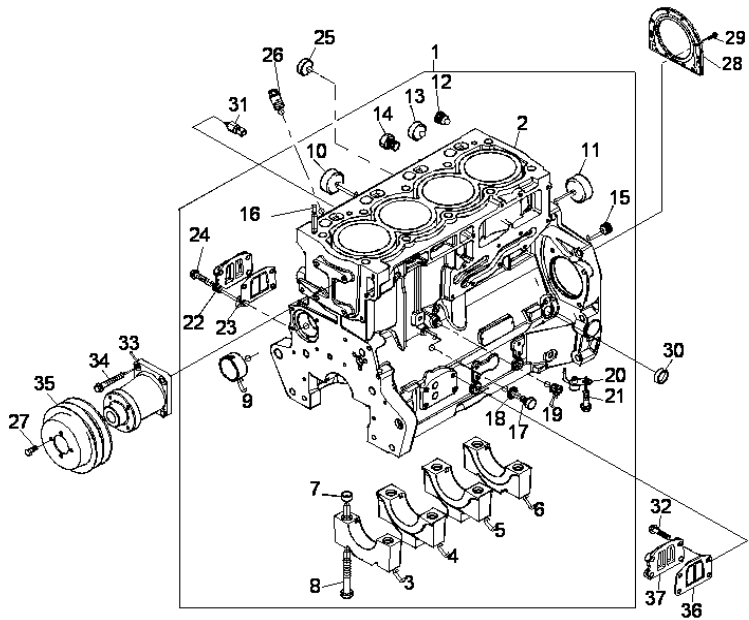
RP56\000015196.png

A-05
03



A0503

Cylinder block



		Inglese	
1	ZZ50321	● ZZ50325(1)	1 Block
2		➤ Ref.n.1	1 Cylinder block
		! 1	
3		! 1	1 Bearing
		➤ Ref.n.1	
4		! 1	1 Bearing
		➤ Ref.n.1	
5		! 1	1 Bearing
		➤ Ref.n.1	
6		! 1	1 Bearing
		➤ Ref.n.1	
7	33142111	! 1	10 Manicott
8	32166329	! 1	10 Screw
9	3112D071	! 1	1 Bush
		● 3112D075(1)	
10	3241A011	! 1	2 Plug
11	3241A012	! 1	1 Plug
12	0650588	! 1	1 Plug
13	0650710	! 1	1 Plug
14	32141316	! 1	1 Plug
15	3212P008	! 1	1 Plug
16	3244A009	! 1	2 Dowel
17	2314C049	! 1	1 Screw
18	2415D053	! 1	1 Washer
19	0650594	! 1	1 Plug

<https://www.ebooklibonline.com>

Hello dear friend!

Thank you very much for reading.

Enter the link into your browser.

The full manual is available for immediate download.

<https://www.ebooklibonline.com>

Engine

F E-Line Restyling (2010-) - RP56 - F80/GE/XL

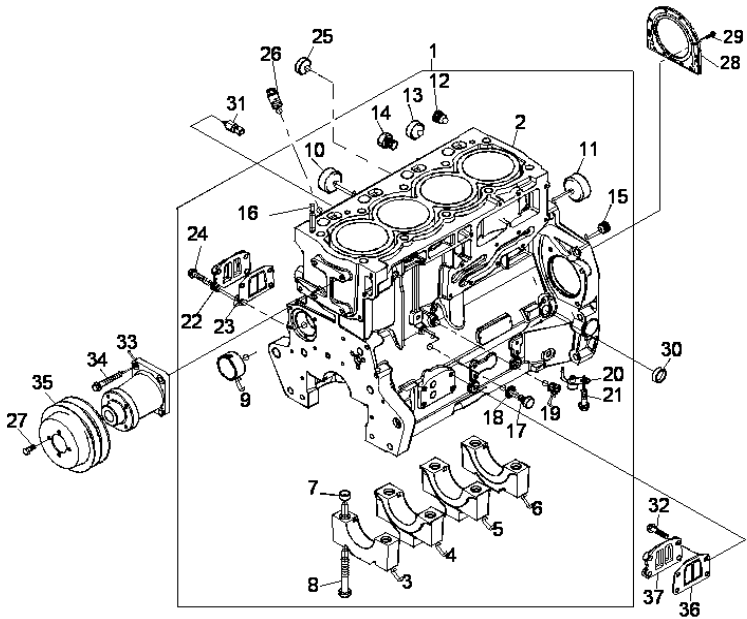
RP56\000015196.png

A-05
03



A0503

Cylinder block



		Inglese			
20	2113A003	!	1	4	Atomiser
21	2314F001	!	1	4	Screw
22	3753A071	!	1	1	Coperch.
23	3688A041	!	1	1	Gasket
24	2314H034	!	1	4	Screw
25	2485A108			1	Plug
26	3212V006			1	Plug
27	2314C044			4	Screw
28	2418F704	(X)	0.1.3. T-A 11:0	1	Housing
29	3211C002			10	Screw
30	2485A109			1	Plug
31	2848A051	A		1	Pressure switch
32	2314H034			4	Screw
33	4113K005	T-A	2:0	1	Housing
34	2314J005			4	Screw
35	3115C113			1	Pulley
36	3688A041			1	Gasket
37	3753A071			1	Coperch.

! This is a component of an assembly

🔧 Not serviced, order

● Replacement

(X) Qty per tractors sold (aa.bbb.ccc.ddd) (aa) for 1,(bbb) 2-10 (ccc) 11-25 (ddd) 26-50

T-A Replacement

A Oil pressure

Engine

F E-Line Restyling (2010-) - RP56 - F80/GE/XL

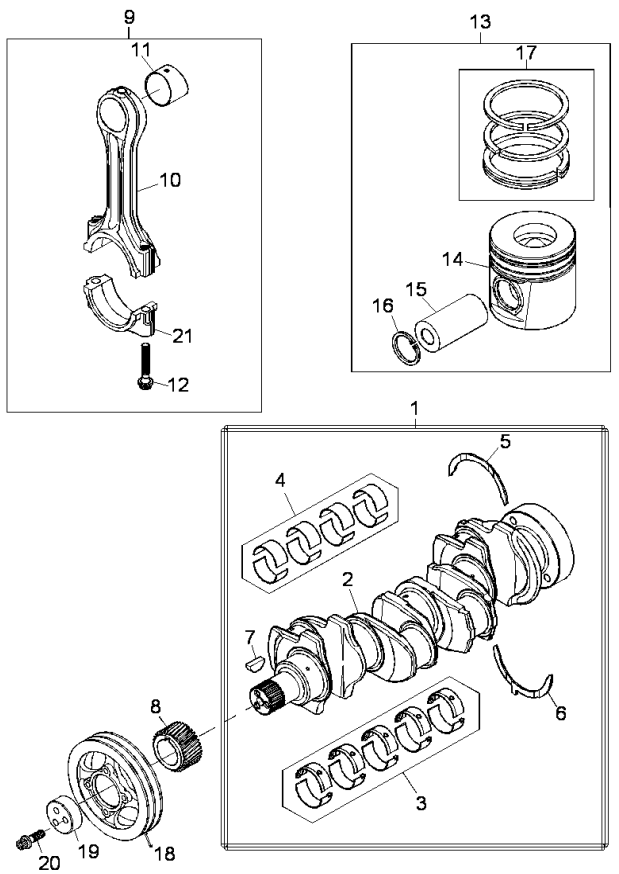
RP56\000015199.png

**A-05
04**



A0504

Crankshaft, pistons and connecting rods



Inglese

- | | | | | | |
|---|-----------|-----|--------------|---|------------|
| 1 | ZZ90222 | ➔ | U056074 t | 1 | Kit |
| | | ● | ZZ90239(1) | | |
| 1 | ZZ90222P | ➔ | U056074 t | 1 | Kit |
| | | ● | N.L.A.(1) | | |
| 1 | ZZ90237 | ➔ | U056075 t | 1 | Shaft |
| 2 | | ! | 1 | 1 | Crankshaft |
| | | ➔ | Ref.n.1 | | |
| 3 | U5MB0018 | ! | 1 | 1 | Kit |
| | | ➔ | U056074 t | | |
| | | ● | U5MB0033(1) | | |
| | | T-A | 18:50 | | |
| 3 | U5MB0018A | ⚡ | (+)0.010" | 1 | Kit |
| | | ! | 1 | | |
| | | ➔ | U056074 t | | |
| | | ● | U5MB0033A(1) | | |
| | | T-A | 18:50 | | |
| 3 | U5MB0018B | ⚡ | (+)0.020" | 1 | Kit |
| | | ! | 1 | | |
| | | ➔ | U056074 t | | |
| | | ● | U5MB0033B(1) | | |
| | | T-A | 18:50 | | |
| 3 | U5MB0018C | ⚡ | (+)0.030" | 1 | Kit |
| | | ! | 1 | | |
| | | ➔ | U056074 t | | |
| | | ● | N.L.A.(1) | | |
| | | T-A | 18:50 | | |

Engine

F E-Line Restyling (2010-) - RP56 - F80/GE/XL

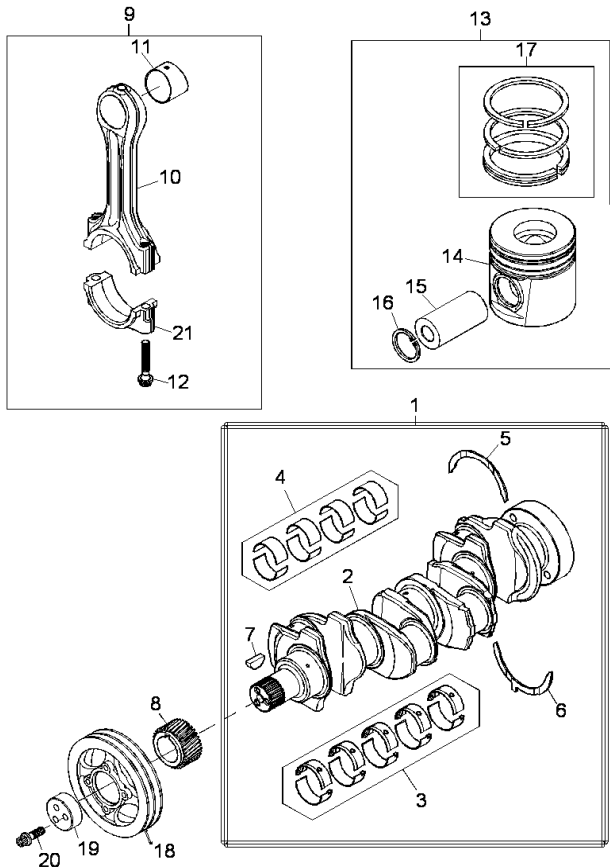
RP56\000015199.png

A-05
04



A0504

Crankshaft, pistons and connecting rods



Inglese

3	U5MB0033	!	1	1 Kit
		➔	U056075 t	
3	U5MB0033A	!	1	1 Kit
		⊗	-0,25mm	
		➔	U056075 t	
3	U5MB0033B	!	1	1 Kit
		⊗	-0,50mm	
		➔	U056075 t	
3	U5MB0033C	!	1	1 Kit
		⊗	-0,75mm	
		➔	U056075 t	
		●	N.L.A.(1)	
4	T400002	!	1	1 Kit
		➔	U056075 t	
		●	T410927(1)	
4	U5ME0026	!	1	1 Kit
		➔	U056074 t	
		●	U5ME0034(1)	
4	U5ME0026A	!	1	1 Kit
		⊗	(+)0.25 mm	
		➔	U056074 t	
		●	U5ME0034A(1)	
4	U5ME0026B	!	1	1 Kit
		⊗	(+)0.50 mm	
		➔	U056074 t	
		●	U5ME0034B(1)	

Engine

F E-Line Restyling (2010-) - RP56 - F80/GE/XL

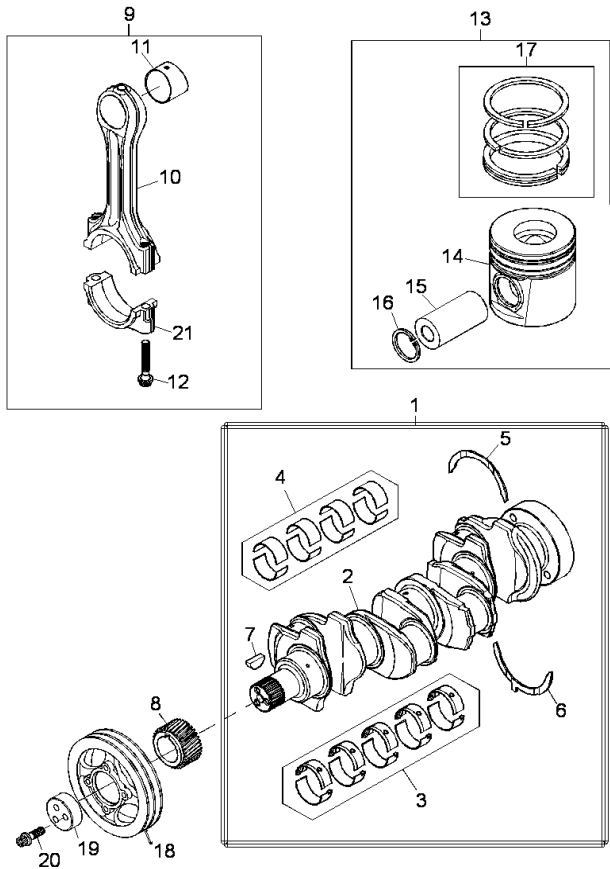
RP56\000015199.png

A-05
04



A0504

Crankshaft, pistons and connecting rods



		Inglese	
4	U5ME0026C	! 1 ⚡ (+)0.75 mm ➡ U056074 t	1 Kit
5	31137312	● U5ME0034C(1) ⚡ (+)0.007" ! 1	2 Ring
5	31137551	T-A 18:50 ! 1	2 Washer
6	31137322	T-A 18:50 ⚡ (+)0.007" ! 1	2 Ring
6	31137561	T-A 18:50 ! 1	2 Washer
7	0500012	! 1	1 Key
8	3117C221	T-A 13:0	1 Gear
9	4115C311	➡ U056074 t F T-A 17:0	4 Kit
9	4115C312	➡ U056074 t E T-A 17:0	4 Kit
9	4115C313	➡ U056074 t D T-A 17:0	4 Kit

Engine

F E-Line Restyling (2010-) - RP56 - F80/GE/XL

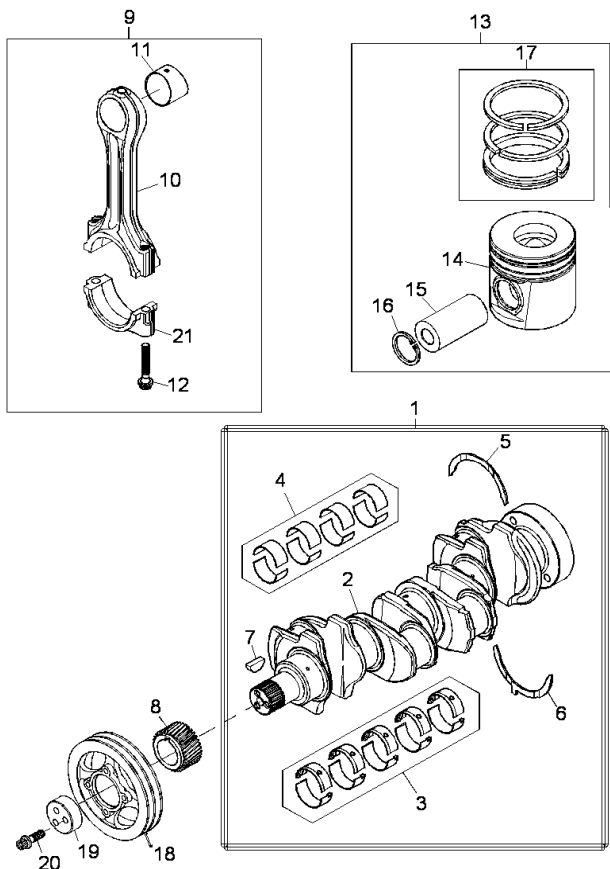
RP56\000015199.png

**A-05
04**



A0504

Crankshaft, pistons and connecting rods



		Inglese	
9	4115C314	➡ U056074 t C T-A 17:0	4 Kit
9	4115C315	➡ U056074 t B T-A 17:0	4 Kit
9	4115C316	➡ U056074 t A T-A 17:0	4 Kit
9	4115C361	➡ U056075 t F	4 Conrod
9	4115C362	➡ U056075 t E	4 Conrod
9	4115C363	➡ U056075 t D	4 Conrod
9	4115C364	➡ U056075 t C	4 Conrod
9	4115C365	➡ U056075 t B	4 Conrod
9	4115C366	➡ U056075 t A	4 Conrod
10	!	9 ➡ Ref.n.9	1 Conrod
11	3112A005	!	1 Bush
		T-A 17:0	

Engine

F E-Line Restyling (2010-) - RP56 - F80/GE/XL

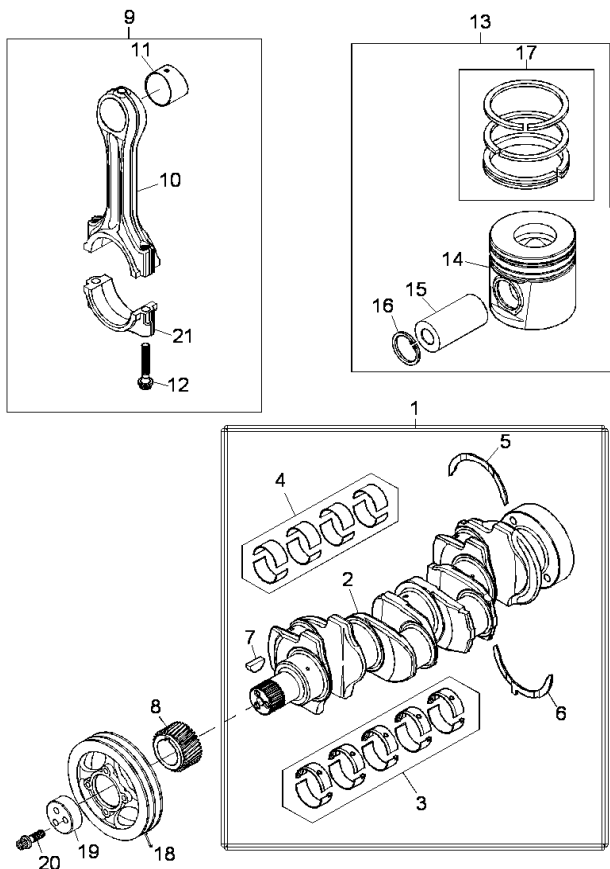
RP56\000015199.png

**A-05
04**



A0504

Crankshaft, pistons and connecting rods



		Inglese		
12	3212V003	!	9	2 Screw
		➔	U056074 t	
12	T400001	!	9	2 Screw
		➔	U056075 t	
13	U5PR0063			4 Kit
14		!	13	1 Piston
		➔	Ref.n.13	
15		!	13	1 Pin
		➔	Ref.n.13	
16	2721332	!	13	2 Ring
17	UPRK0003	!	13	1 Kit
		(X)	1.2.5.	
		T-A	17:0	
18	3115A141	➔	U056075 t	1 Pulley
18	3115T051	➔	U056074 t	1 Pulley
		T-A	2:0	
19	3241N001	➔	U056074 t	1 Block
		T-A	2:0	
20	32186137	➔	U056074 t	3 Screw
20	32186146	➔	U056075 t	1 Bolt
21		!	9	1 Cover
		➔	Ref.n.9	

- ! This is a component of an assembly
- ➔ From serial or engine number
- ➔ Up to serial or engine number
- ➔ Not serviced, order
- ⚡ Shim

Engine

F E-Line Restyling (2010-) - RP56 - F80/GE/XL

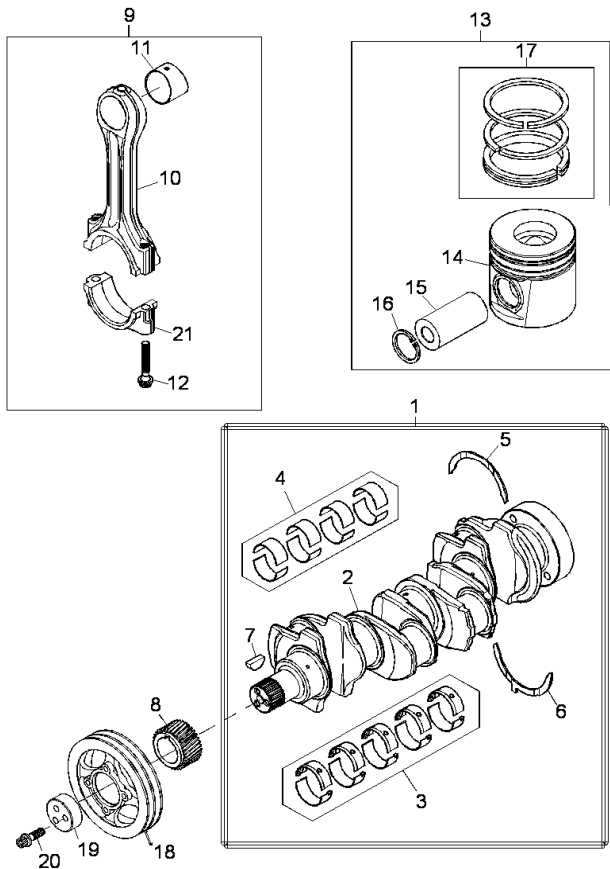
RP56\000015199.png

**A-05
04**



A0504

Crankshaft, pistons and connecting rods



- Replacement
- (X) Qty per tractors sold (aa.bbb.ccc.ddd) (aa) for 1,(bbb) 2-10 (ccc) 11-25 (ddd) 26-50
- T-A Replacement
- A Blue
- B Purple
- C Green
- D White
- E Orange
- F Red

Engine

F E-Line Restyling (2010-) - RP56 - F80/GE/XL

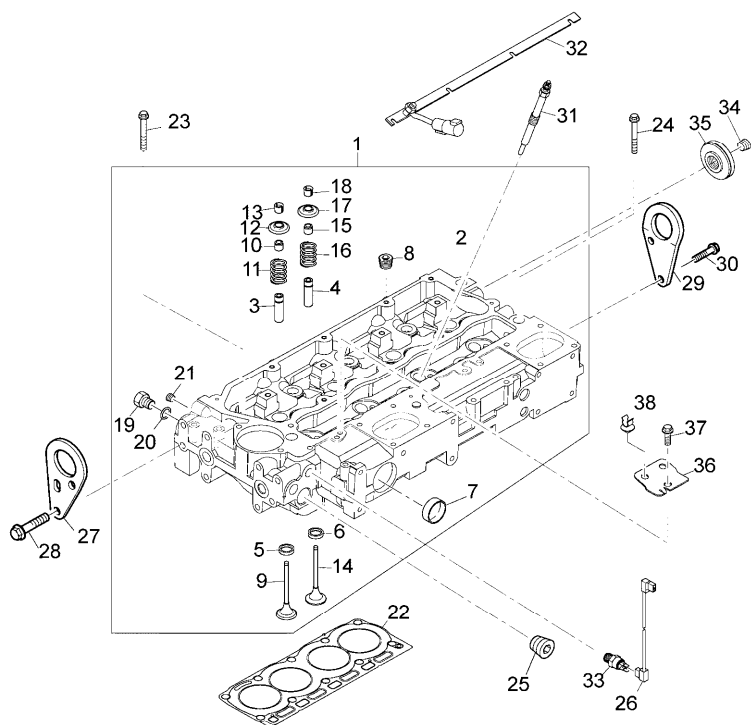
RP56\000015201.png

A-05
05



A0505

Cylinder head



1	ZZ80281		
2		!	33
		➡	Ref.n.1
3	3313A012	!	33
		T-A	7:50
4	3313A012	!	33
		T-A	7:50
5	3314A221	!	33
6	3314A231	!	33
7	32416117	!	33
		T-A	1:0
8	0650588	!	33
		T-A	0:50
9	3142H101	!	33
10	2418M519	!	33
		A	
11	3174A031	!	33
		●	T417479(4)
12	3342A021	!	33
13	2714A002	!	33
14	3142A171	!	33
15	2418M517	!	33
		B	
16	3174A031	!	33
		●	T417479(4)
17	3342A021	!	33

Inglese

1	Cylinder head
1	Head
4	Insert
4	Insert
4	Insert
4	Insert
2	Plug
4	Plug
4	Valve
4	Ring
4	Spring
4	Coperch.
8	Collar
4	Valve
4	Ring
4	Spring
4	Coperch.

Engine

F E-Line Restyling (2010-) - RP56 - F80/GE/XL

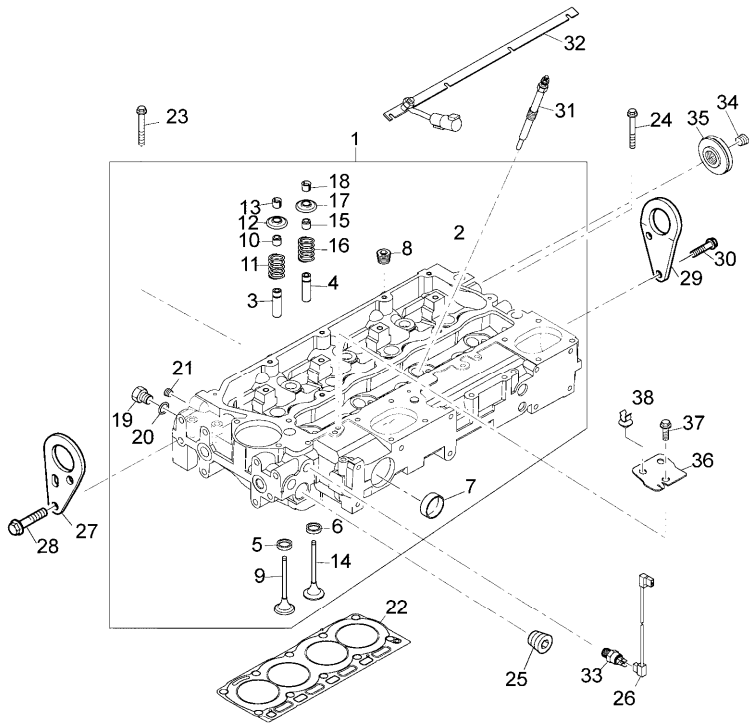
RP56\000015201.png

A-05
05



A0505

Cylinder head



- 18 2714A002 ! 33
- 19 3278A006 ! 33
- 20 2415H003 ! 33
- 21 2431154 ! 33
- 22 3681E051
- 23 3218A011
- 24 3218A012
- 25 2431154
- 26 3161C017
- 27 3617A015
- 28 2314J002
- 29 3647A007
- 30 2314J002
- 31 2666A016 T-A 0:75
- 32 3161C054 ● T409642(1)
- 33 2848A123 C
- 34 2431154 T-A 0:25
- 35 3342A701
- 36 3653A017
- 37 2314H002
- 38 2481D456

Inglese

- 8 Collar
- 1 Plug
- 1 Ring
- 1 Plug
- 1 Gasket
- 7 Screw
- 3 Screw
- 1 Plug
- 1 Cable
- 1 Stirrup
- 2 Screw
- 1 Stirrup
- 2 Screw
- 4 Spark plug
- 1 Bar
- 1 Sensor
- 1 Plug
- 1 Connection
- 1 Stirrup
- 1 Screw
- 1 Clip

- ! This is a component of an assembly
- ▣ Not serviced, order
- Replacement

Engine

F E-Line Restyling (2010-) - RP56 - F80/GE/XL

RP56\000015201.png

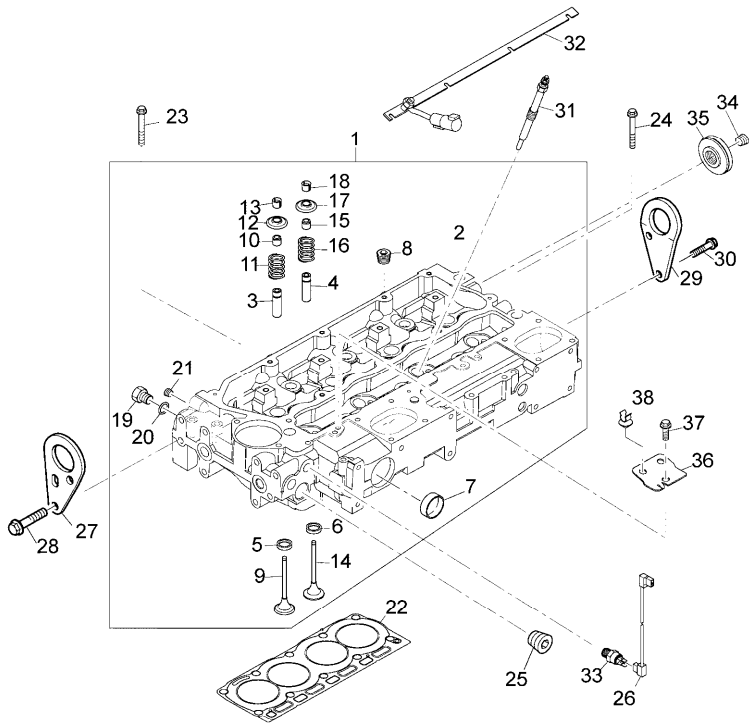
A-05
05



A0505

Cylinder head

- T-A Replacement
- A Green
- B Brown
- C Water temperature



Engine

F E-Line Restyling (2010-) - RP56 - F80/GE/XL

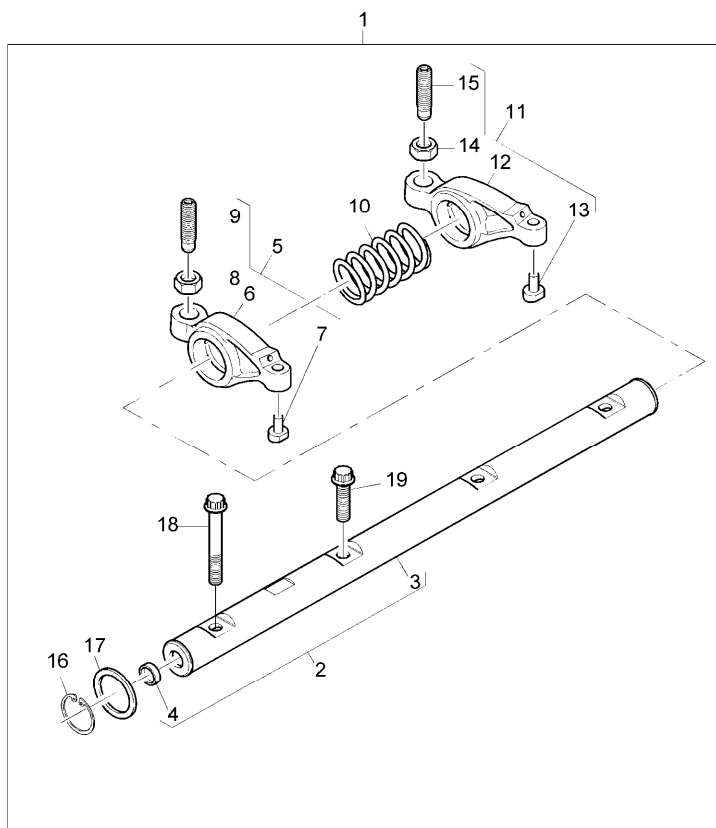
RP56\000015204.png

A-05
06



A0506

Rocker shaft



		Inglese
1	4115R613	1 Axle
2	4115R703	1 Shaft
	T-A 4:0	
3	!	1 Shaft
	➡ Ref.n.2	
4	2485A104	2 Plug
	T-A 4:0	
5	4115R319	4 Lever
6	!	1 Rocker
	➡ Ref.n.5	
7	!	1 Shim
	➡ Ref.n.5	
8	3331A006	1 Nut
9	3211C004	1 Screw
10	3174A015	3 Spring
	T-A 4:0	
11	4115R318	4 Lever
12	!	1 Rocker
	➡ Ref.n.11	
13	!	1 Shim
	➡ Ref.n.11	
14	3331A006	1 Nut
15	3211C004	1 Screw
16	2722A022	2 Ring
17	2134A502	2 Washer
	T-A 4:0	

Engine

F E-Line Restyling (2010-) - RP56 - F80/GE/XL

RP56\000015204.png

A-05
06



A0506

Rocker shaft

Inglese

18 2316A901 ! 1

1 Screw

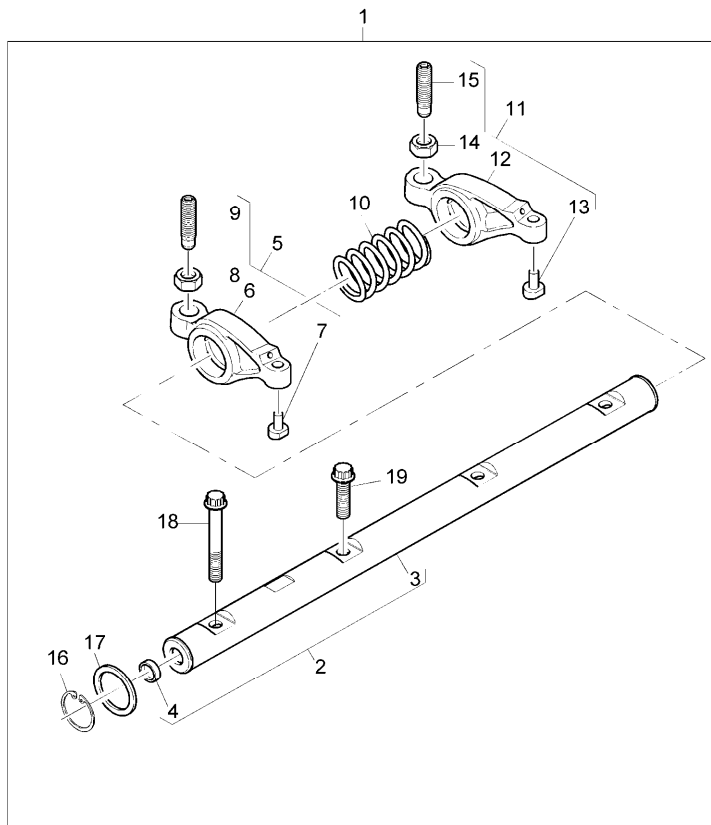
19 2316A902 ! 1

3 Screw

! This is a component of an assembly

Not serviced, order

T-A Replacement



Engine

F E-Line Restyling (2010-) - RP56 - F80/GE/XL

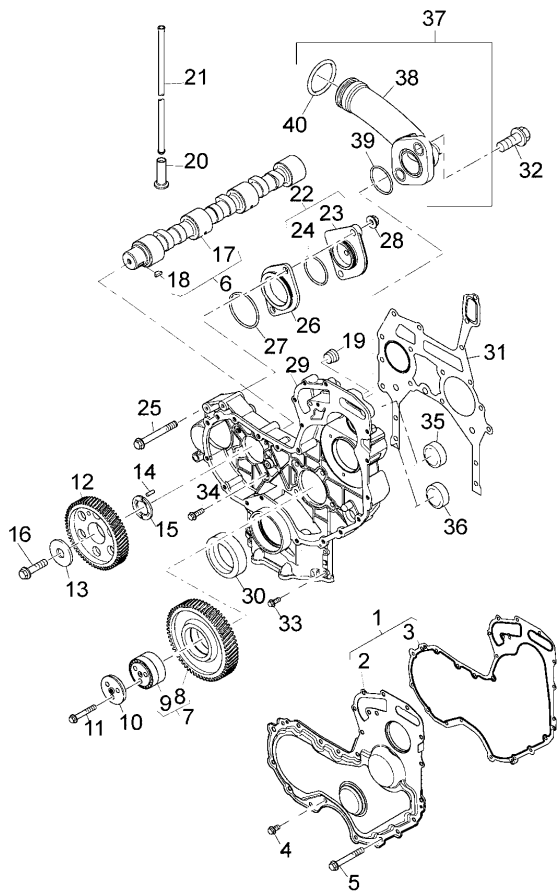
RP56\00040014.png

**A-05
07**



A0507

Timing gear and camshaft



		Inglese
1	4142A503 T-A 4:50	1 Kit
2	! 31	1 Overlay
	➡ Ref.n.1	
3	3681P046 ! 31	1 Gasket
	(X) 0.1.3.	
	T-A 4:50	
4	2314H002	9 Screw
5	2314H012	5 Screw
6	4112K074	1 Shaft
7	4111A042 ● 4111A048(1)	1 Gear
	T-A 4:75	
8	! 7	1 Gear
	➡ Ref.n.7	
9	! 7	1 Hub
	➡ Ref.n.7	
10	3321A012 ! 7	1 Plate
	T-A 4:75	
11	2314J012	3 Screw
12	3117L272 T-A 4:75	1 Gear
13	3321A003 T-A 4:75	1 Washer
14	2116053	1 Pin
15	3112X011 T-A 4:75	1 Washer
16	2314J606	1 Screw
17	! 6	1 Shaft
	➡ Ref.n.6	

Engine

F E-Line Restyling (2010-) - RP56 - F80/GE/XL

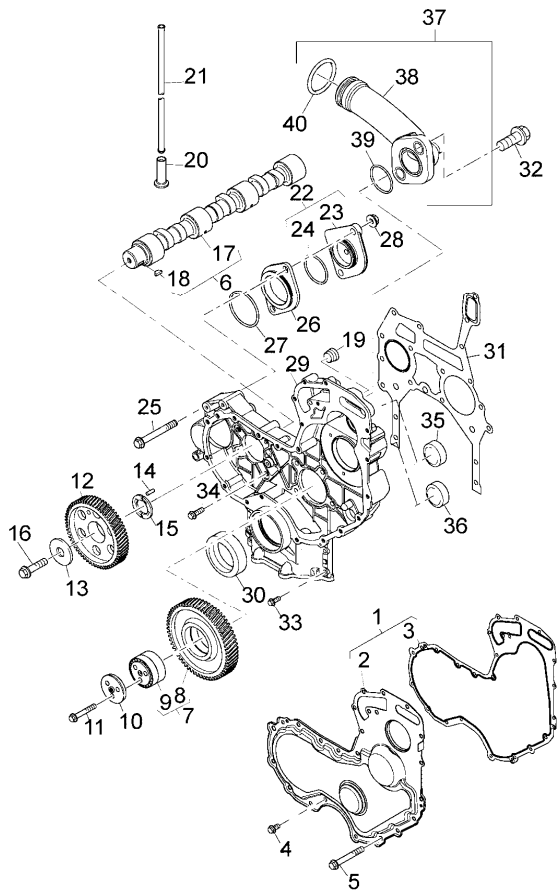
RP56\00040014.png

A-05
07



A0507

Timing gear and camshaft



18	0500012	!	6
19	2431154		
20	3142U061		
21	3142V011		
22	4148K012	T-A	4:75
23		!	22
		➡	Ref.n.22
24	2415H515	T-A	4:75
25	2314J014		
26	3617a044	T-A	4:75
27	2415H516	T-A	4:75
28	2318A604		
29	3716C581	T-A	4:75
30	2418F437	(X)	0.1.3.
		T-A	4:75
31	3681P053	T-A	4:75
32	2314H003		
33	2314H003		
34	2314H034		
35	2485A124		
36	2485A118		
37	4133L048		
38		!	37
		➡	Ref.n.37

Inglese

- 1 Key
- 1 Plug
- 8 Tappet
- 8 Rod
- 1 Plate
- 1 Plate
- 1 Ring
- 2 Screw
- 1 Disc
- 1 Ring
- 2 Nut
- 1 Housing
- 1 Seal
- 1 Gasket
- 2 Screw
- 8 Screw
- 4 Screw
- 1 Plug
- 1 Plug
- 1 Connection
- 1 Connection

Engine

F E-Line Restyling (2010-) - RP56 - F80/GE/XL

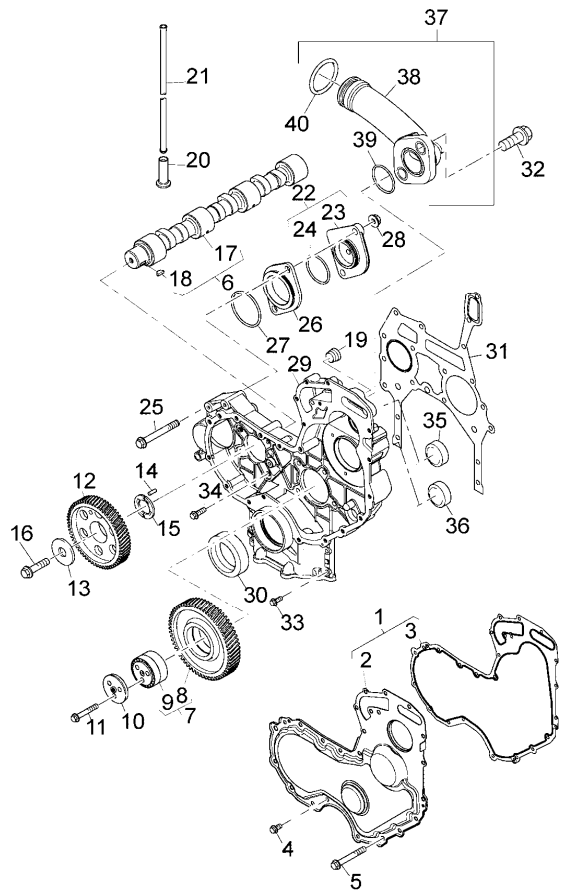
RP56\00040014.png

A-05
07



A0507

Timing gear and camshaft



Inglese

39	2418F001	!	37	1	Ring
			T-A 4:75		
40	2418F002	!	37	1	Ring
			T-A 4:75		

! This is a component of an assembly

▣ Not serviced, order

● Replacement

(X) Qty per tractors sold (aa.bbb.ccc.ddd) (aa) for 1,(bbb) 2-10 (ccc) 11-25 (ddd) 26-50

T-A Replacement

Engine

F E-Line Restyling (2010-) - RP56 - F80/GE/XL

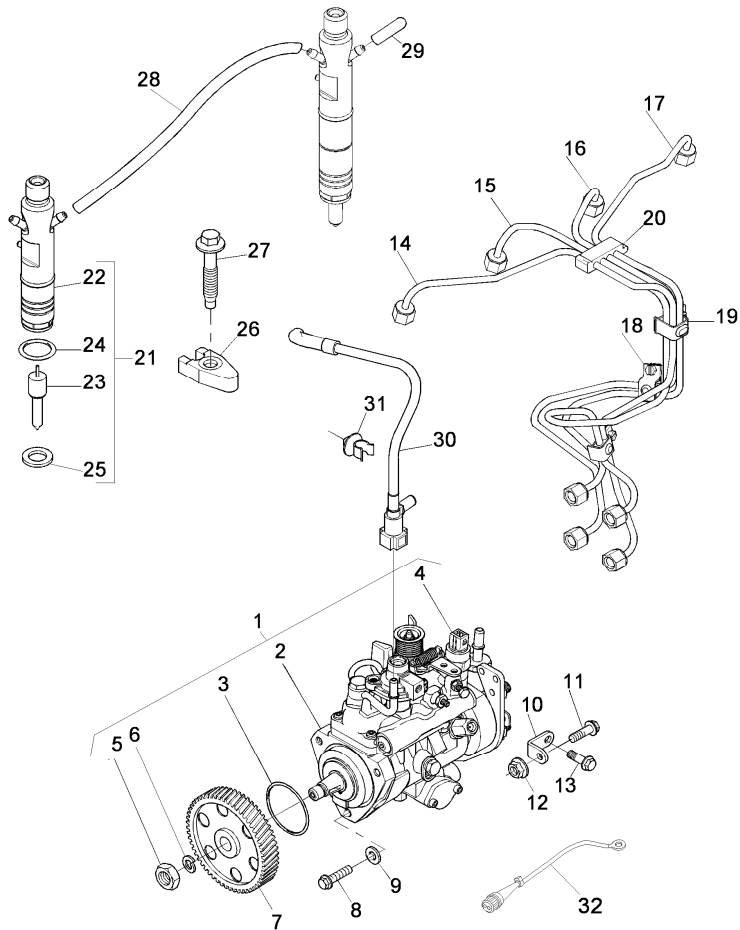
RP56\000015208.png

A-05
08



A0508

Fuel injection equipment (diesel)



- | | | | |
|----|-------------|---|----------|
| 1 | 2644C319/22 | | |
| 2 | | ! | 1 |
| 3 | 26420318 | ! | 1 |
| 4 | 26420469 | ! | 1 |
| 5 | 2318A108 | ! | 1 |
| 6 | K134AF01 | ! | 1 |
| 7 | 3117L261 | | |
| 8 | 2314H004 | | |
| 9 | 2411D008 | | |
| 10 | 3641A007 | | |
| 11 | 2314H003 | | |
| 12 | 2318A603 | | |
| 13 | 2314J002 | | |
| 14 | 3525A101 | | |
| 15 | 3525A102 | | |
| 16 | 3525A103 | | |
| 17 | 3525A104 | | |
| 18 | 2481Y011 | | |
| 19 | 2481Y012 | | |
| 20 | 2646E019 | | |
| 21 | 2645K027 | | |
| 22 | | ➡ | Ref.n.21 |
| | | ! | 21 |

Inglese

- | | |
|---|----------|
| 1 | Pump |
| 1 | Pump |
| 1 | Ring |
| 1 | Solenoid |
| 1 | Nut |
| 1 | Washer |
| 1 | Gear |
| 3 | Screw |
| 6 | Washer |
| 1 | Stirrup |
| 1 | Screw |
| 1 | Nut |
| 1 | Screw |
| 1 | Pipe |
| 1 | Pipe |
| 1 | Pipe |
| 2 | Clip |
| 1 | Clip |
| 1 | Clip |
| 1 | Nozzle |
| 1 | Nozzle |



Suggest:

For more complete manuals. Please go to the home page.

<https://www.ebooklibonline.com>

If the above button click is invalid. Please download this document first, and then click the above link to download the complete manual.

Thank you so much for reading

Engine

F E-Line Restyling (2010-) - RP56 - F80/GE/XL

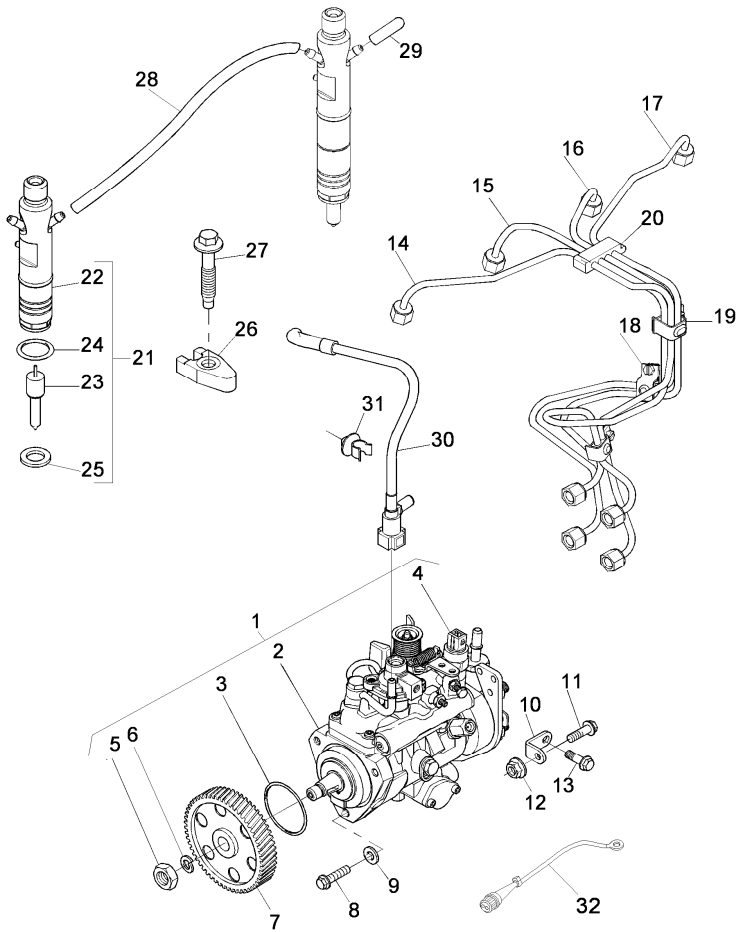
RP56\000015208.png

A-05
08



A0508

Fuel injection equipment (diesel)



23		➡ Ref.n.21	
	!	21	
24	26460064	!	21
25	L311FF02	!	21
26	3751A241		
27	2314W009		
28	2646F501		
29	2646E501		
30	2646F007		
31	2481D456		
32		A	
!	This is a component of an assembly		
➡	Not serviced, order		
A	Not fitted on this application		

Inglese

1	Jet
1	Ring
1	Washer
4	Clamp
4	Screw
3	Pipe
1	Cap
1	Pipe
1	Clip
1	Harness

Engine

F E-Line Restyling (2010-) - RP56 - F80/GE/XL

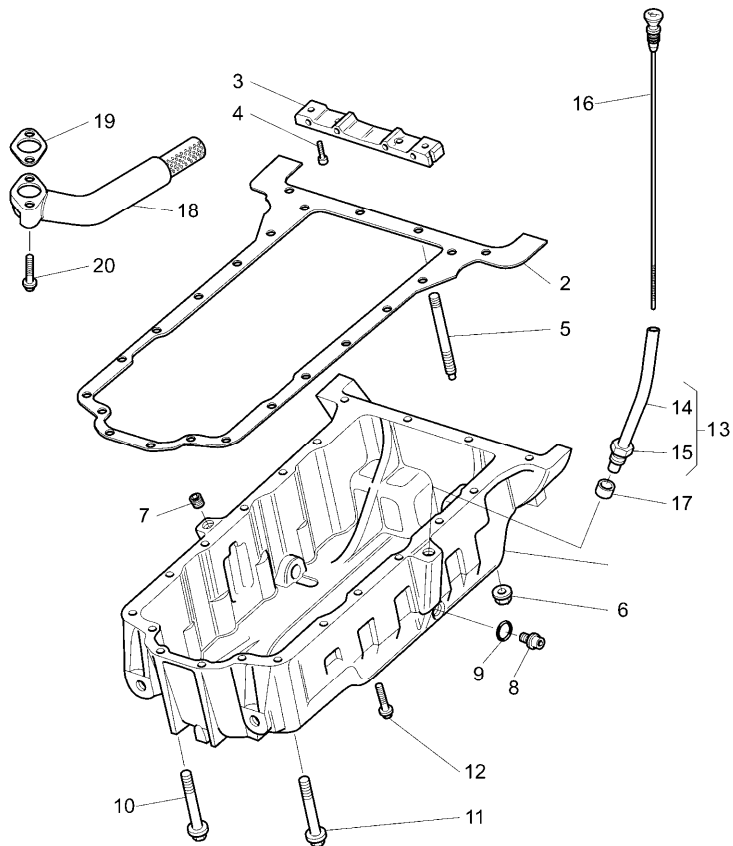
RP56\00011008.png

A-05
09



A0509

Lubricating oil sump



1	3717E271	T-A	2:0
2	3681K036	(X)	1.2.3.
		T-A	2:0
3	3627P041	T-A	2:0
4	2311D039		
5	3211P013		
6	2318A603		
7	2431A016		
8	32186405		
9	2415715		
10	2314H023		
11	2314H022	●	2314H052(1)
12	2314H015		
13	3577A159		
14		!	13
		➡	Ref. n.13
15	3353D005	!	13
16	3178C081	(X)	1.2.4.
		T-A	0:25
17	33812116	T-A	0:25
18	3765A091	T-A	2:25
19	36832137	T-A	2:25
20	2314H006		

Inglese

1	Crankcase
1	Gasket
1	Crosspiece
2	Screw
2	Stud
2	Nut
1	Plug
2	Plug
2	Ring
5	Screw
1	Screw
12	Screw
1	Pipe
1	Pipe
1	Nut
1	Rod
1	Olive
1	Pipe
1	Gasket
2	Screw

! This is a component of an assembly
 ➡ Not serviced, order

<https://www.ebooklibonline.com>

Hello dear friend!

Thank you very much for reading.

Enter the link into your browser.

The full manual is available for immediate download.

<https://www.ebooklibonline.com>