

Engine

F E-Line Restyling (2010-) - RP56 - F70/GE

RP56\00005170.png

A-05
01



A0501

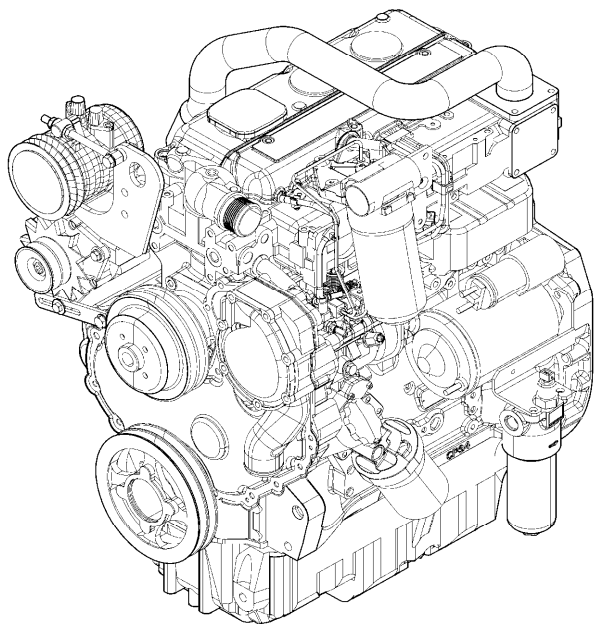
Engine assembly

Inglese

1 6506818M91

Perkins - xm5162 1 Engine
50 kw

1



Engine

F E-Line Restyling (2010-) - RP56 - F70/GE

RP56\000015152.png

A-05
011



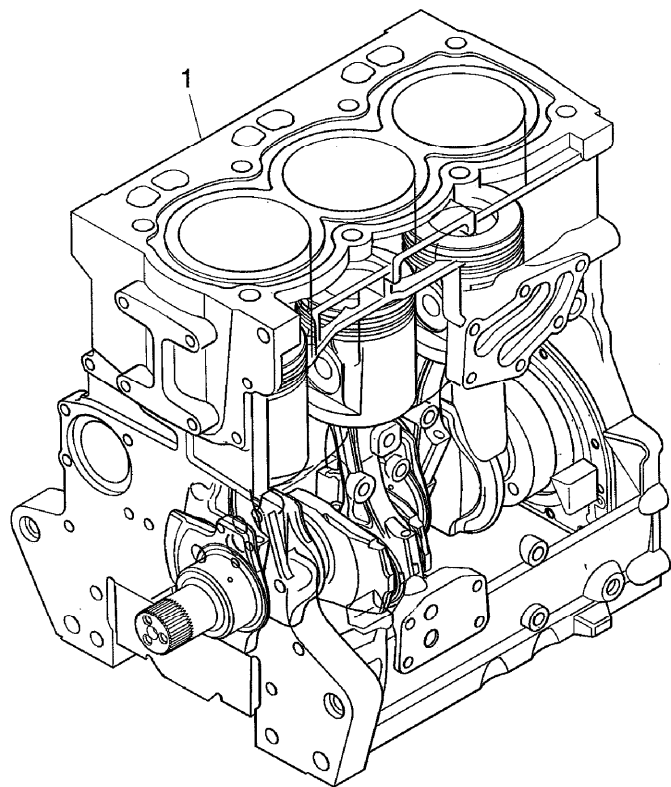
A05011

Short engine

1 XM40012

Inglese

1 Cylinder block



Engine

F E-Line Restyling (2010-) - RP56 - F70/GE

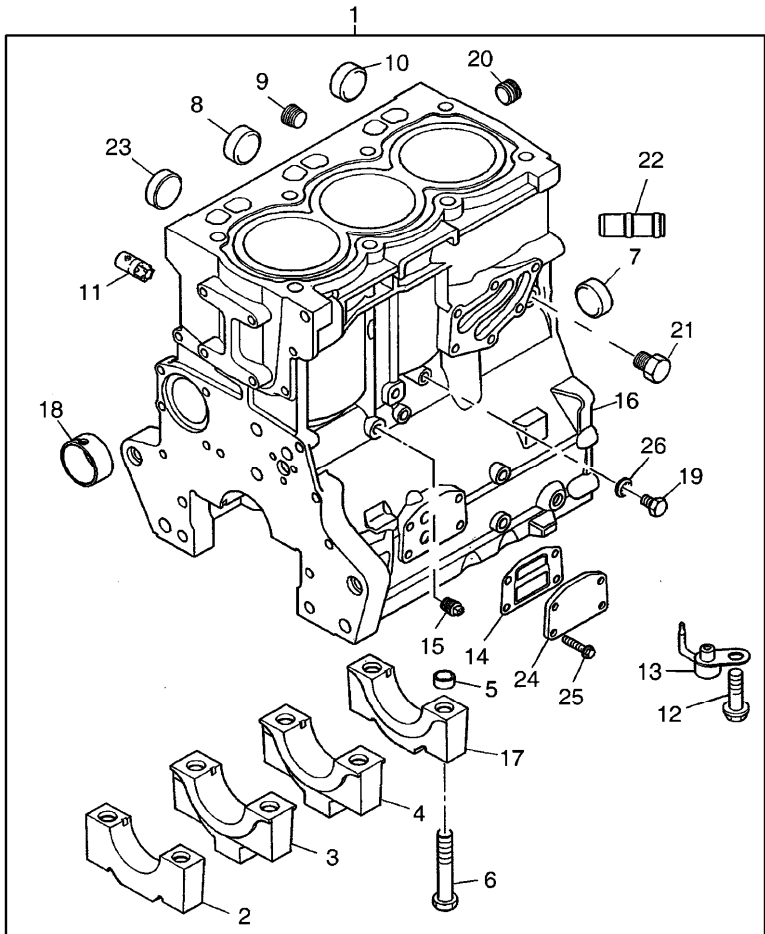
A-05
02



A0502

Cylinder block

RP56\000015153.png



1	4181V016	T-A	27:0
2		!	1
		➡	Ref.n.1
3		!	1
		➡	Ref.n.1
4		!	1
		➡	Ref.n.1
5	33142111	!	1
6	32166329	!	1
7	3241A012	!	1
8	3241A011	!	1
9	0650588	!	1
		T-A	0:25
10	0650710	!	1
		T-A	0:25
11	3212V006	!	1
12	2314F001	!	1
13	2113A003	!	1
14	3688A039	!	1
15	0650594	!	1
16		!	1
		➡	Ref. n. 1
17		!	1
		➡	Ref. n. 1

Inglese

1	Cylinder block
1	Bearing
1	Bearing
1	Bearing
1	Bearing
8	Manicott
8	Screw
1	Plug
2	Plug
1	Plug
1	Plug
1	Plug
3	Screw
3	Atomiser
2	Gasket
1	Plug
1	Cylinder
1	Bearing

<https://www.ebooklibonline.com>

Hello dear friend!

Thank you very much for reading.

Enter the link into your browser.

The full manual is available for immediate download.

<https://www.ebooklibonline.com>

Engine

F E-Line Restyling (2010-) - RP56 - F70/GE

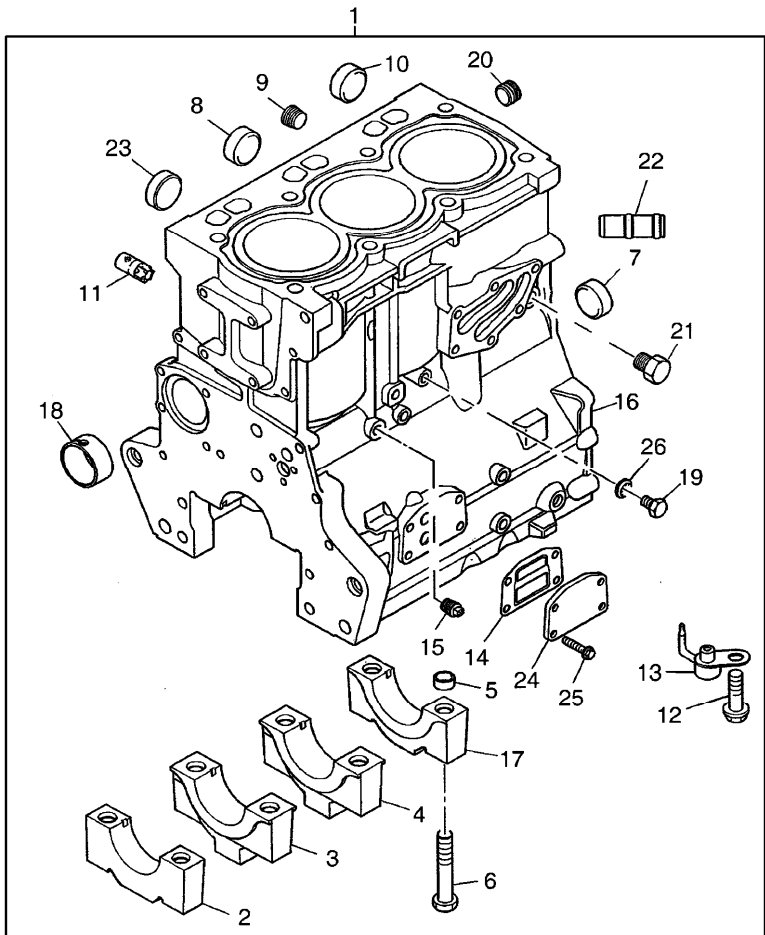
RP56\000015153.png

A-05
02



A0502

Cylinder block



18	3112D071	!	1
		●	3112D075(1)
19	2314C049	!	1
20	3212P008	!	1
21	32141316	!	1
22	3313A022	!	1
23	2485A108	!	1
24	3623A009	!	1
25	2314H033	!	1
26	2415D053	!	1

Inglese

1	Bush
1	Screw
1	Plug
1	Plug
1	Pipe
1	Plug
2	Plate
8	Screw
1	Washer

- ! This is a component of an assembly
- ▣ Not serviced, order
- Replacement
- T-A Replacement

Engine

F E-Line Restyling (2010-) - RP56 - F70/GE

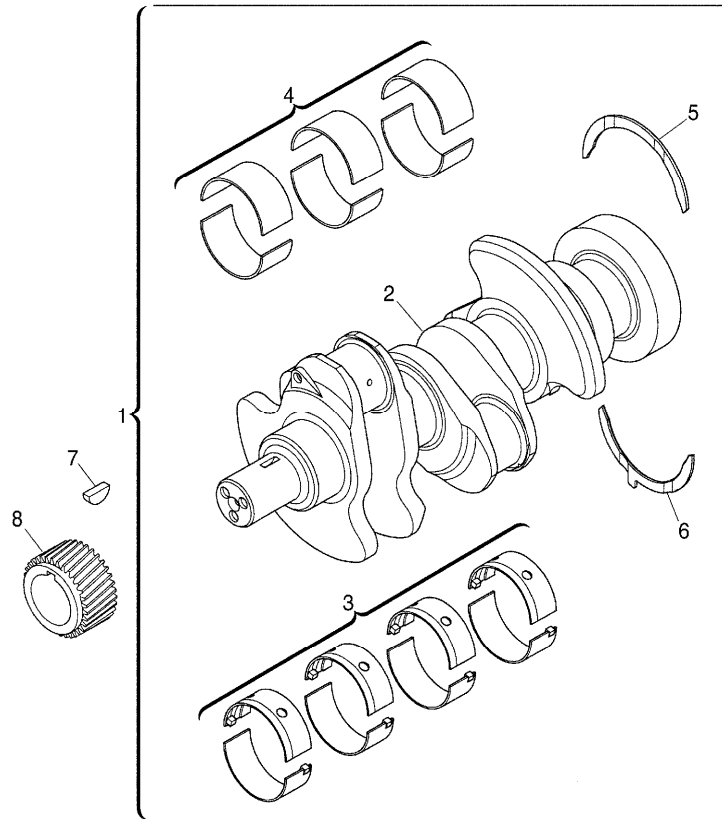
RP56\000020599.png

**A-05
04**



A0504

Camshaft



				Inglese
1	4181V017	T-A 15:0		1 Shaft
2		! 1		1 Shaft
		➡ Ref.n.1		
3	U5MB0037	! 1		1 Kit
3	U5MB0037A	! 1		1 Kit
		⚡ -0,25mm		
3	U5MB0037B	! 1		1 Kit
		⚡ -0,50mm		
3	U5MB0037C	! 1		1 Kit
		⚡ -0,75mm		
4	U5ME0033	! 1		1 Kit
4	U5ME0033A	! 1		1 Kit
		⚡ -0,25mm		
4	U5ME0033B	! 1		1 Kit
		⚡ -0,50mm		
4	U5ME0033C	! 1		1 Kit
		⚡ -0,75mm		
5	31137312	⚡ 0.007"		2 Ring
		! 1		
		T-A 15:0		
5	31137551	! 1		2 Washer
		T-A 15:0		
6	31137322	! 1		2 Ring
		⚡ 0.007"		
		T-A 15:0		

Engine

F E-Line Restyling (2010-) - RP56 - F70/GE

RP56\000020599.png

A-05
04





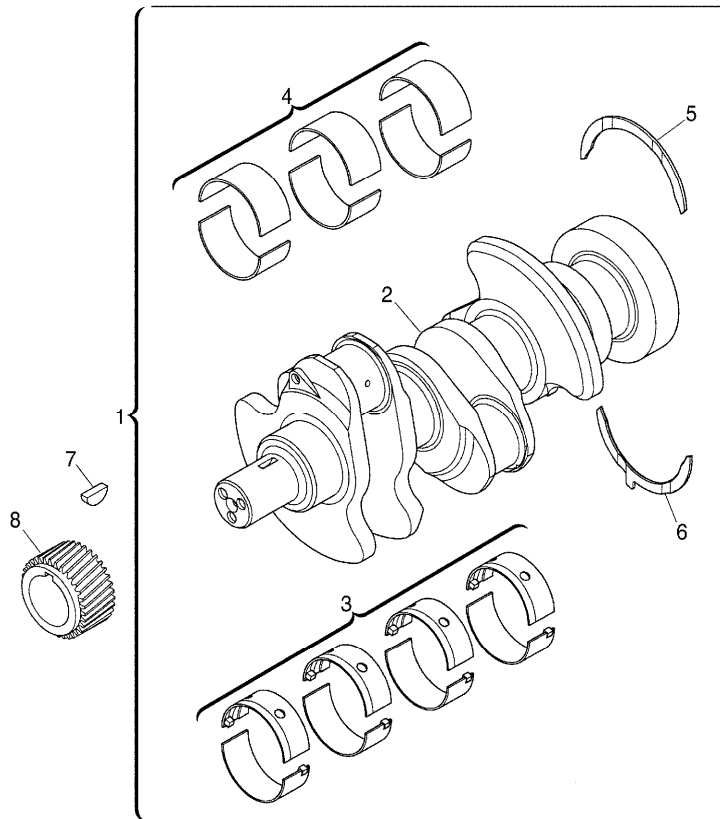
A0504

Camshaft

Inglese

6	31137561	!	1	2	Washer
		T-A	15:0		
7	3117C221	T-A	10:0	1	Gear
8	0500012	T-A	10:0	1	Key

- ! This is a component of an assembly
-  Not serviced, order
-  Shim
- T-A Replacement



Engine

F E-Line Restyling (2010-) - RP56 - F70/GE

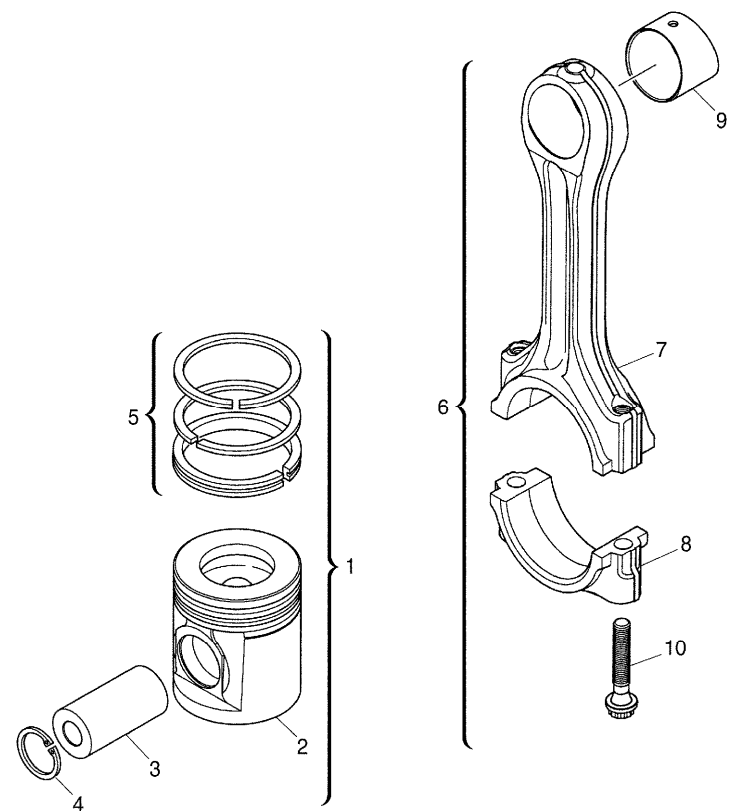
RP56\000020600.png

A-05
05



A0505

Pistons and connecting rods



		Inglese
1	U5PR0064	3 Kit
2	!	1 Piston
	➡ Ref.n.1	
3	!	1 Bush
	➡ Ref.n.1	
4	2721332	2 Ring
5	UPRK0005	1 Kit
6	4115C311	3 Kit
	T-A 14:0	
6	4115C312	3 Kit
	T-A 14:0	
6	4115C313	3 Kit
	T-A 14:0	
6	4115C314	3 Kit
	T-A 14:0	
6	4115C315	3 Kit
	T-A 14:0	
6	4115C316	3 Kit
	T-A 14:0	
7	!	1 Conrod
	➡ Ref.n.6	
8	!	1 Cap
	➡ Ref.n.6	
9	3112A005	1 Bush
	T-A 14:0	

Engine

F E-Line Restyling (2010-) - RP56 - F70/GE

RP56\000020600.png

A-05
05



A0505

Pistons and connecting rods

Inglese

10 3212V003 ! 6

2 Screw

A

! This is a component of an assembly

Not serviced, order

T-A Replacement

A Do not reuse once it has been removed

B Red

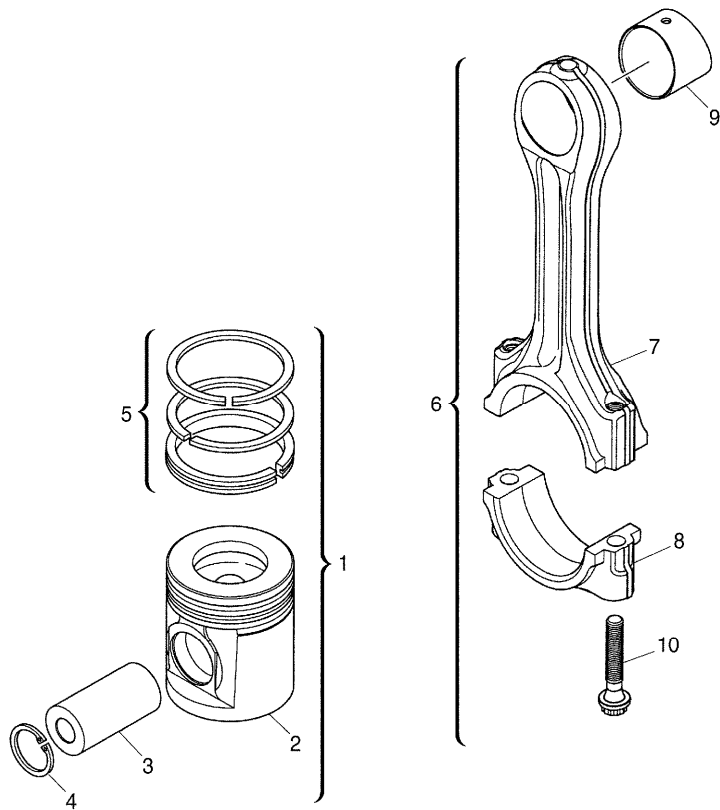
C Orange

D White

E Green

F Purple

G Blue



Engine

F E-Line Restyling (2010-) - RP56 - F70/GE

RP56\000020598.png

A-05
06



A0506

End cover

1 2418F704 T-A 9:0

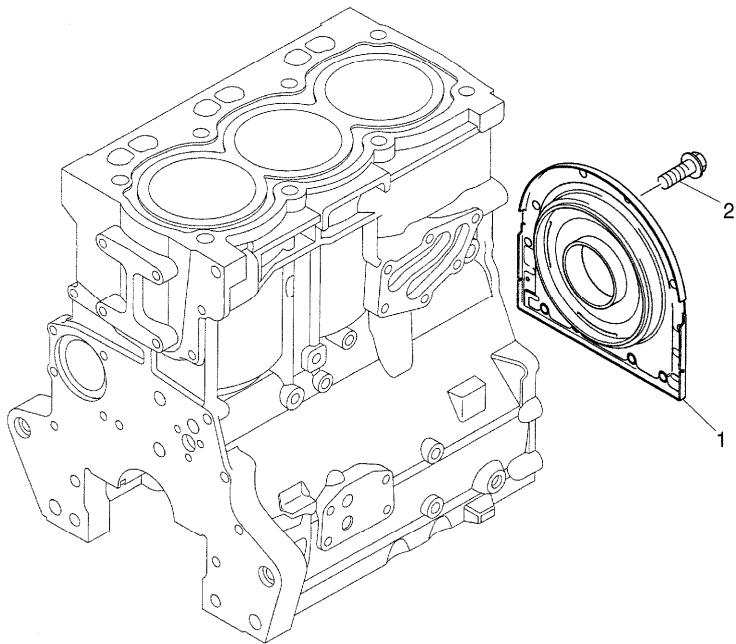
2 3211C002

T-A Replacement

Inglese

1 Housing

10 Screw



Engine

F E-Line Restyling (2010-) - RP56 - F70/GE

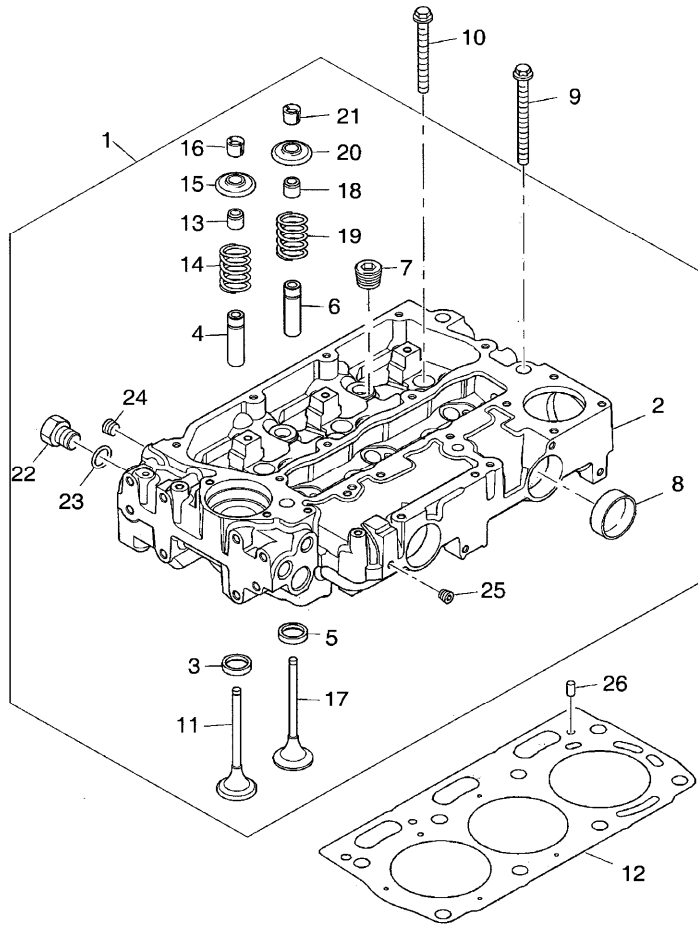
RP56\000015154.png

**A-05
07**



A0507

Cylinder head



			Inglese
1	ZZ80282		1 Cylinder head
2		! 1	1 Cylinder head
		➡ Ref.n.1	
3	3314A241	! 1	3 Insert
4	3313A012	! 1	3 Insert
5	3314A231	! 1	3 Insert
6	3313A012	! 1	3 Insert
7	0650588	! 1	3 Plug
8	32416117	! 1	3 Plug
9	3218A012		3 Screw
10	3218A011		5 Screw
11	3142H111	! 1	3 Valve
12	3681E049		1 Gasket
13	2418M519	! 1	3 Ring
		A	
14	3174A031	! 1	3 Spring
		● T417479(3)	
15	3342A021	! 1	3 Coperch.
16	2714A002	! 1	6 Collar
17	3142A171	! 1	3 Valve
18	2418M517	! 1	3 Ring
		B	
19	3174A031	! 1	3 Spring
		● T417479(3)	
20	3342A021	! 1	3 Coperch.

Engine

F E-Line Restyling (2010-) - RP56 - F70/GE

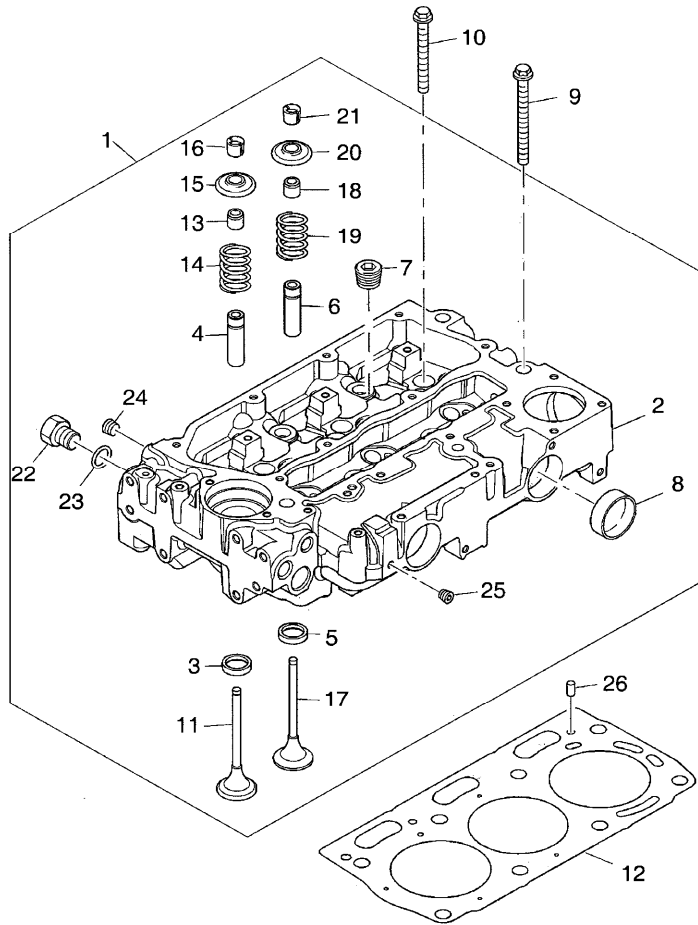
RP56\000015154.png

**A-05
07**



A0507

Cylinder head



- 21 2714A002 ! 1
- 22 3278A006 ! 1
- 23 2415H003 ! 1
- 24 2431154 ! 1
- 25 2431154 ! 1
- 26 3244A009 2

Inglese

- 6 Collar
- 1 Plug
- 1 Ring
- 1 Plug
- 1 Plug
- 2 Dowel

- ! This is a component of an assembly
- ▣ Not serviced, order
- Replacement
- A Green
- B Brown

Engine

F E-Line Restyling (2010-) - RP56 - F70/GE

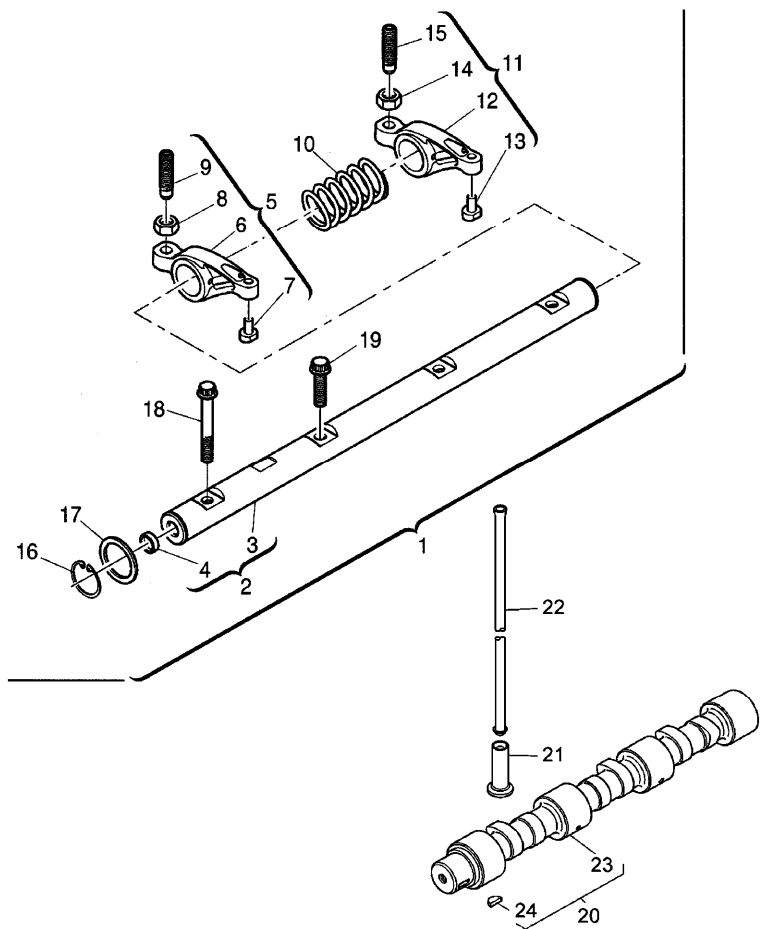
RP56\000015155.png

A-05
08



A0508

Rocker shaft



		Inglese
1	4115R614	1 Rocker
2	4115R702	1 Shaft
	T-A 4:0	
3		1 Rockerarm
	➡ Ref.n.2	
4	2485A104	2 Plug
5	4115R319	3 Lever
6		1 Rocker
	➡ Ref.n.5	
7		1 Pad
	➡ Ref.n.5	
8	3331A006	1 Nut
9	3211C004	1 Screw
10	3174A015	2 Spring
	T-A 4:0	
11	4115R318	3 Lever
12		1 Rocker
	➡ Ref.n.11	
13		1 Pad
	➡ Ref.n.11	
14	3331A006	1 Nut
15	3211C004	1 Screw
16	2722A022	2 Ring
17	2134A502	2 Washer
18	2316A901	1 Screw

Engine

F E-Line Restyling (2010-) - RP56 - F70/GE

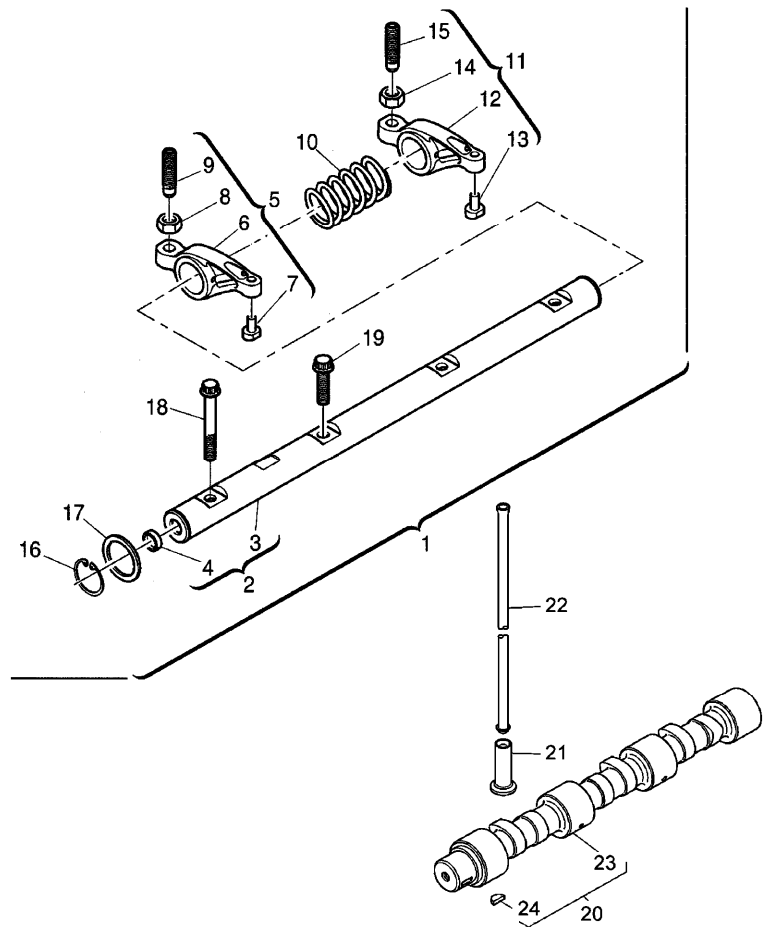
RP56\000015155.png

A-05
08



A0508

Rocker shaft



Inglese

- 19 2316A902 ! 1
- 20 4112K049
- 21 3142U061
- 22 3142V011
- 23 ! 20
- ! 20 Ref. n.20
- 24 0500012 ! 20
- ! This is a component of an assembly
- Not serviced, order
- T-A Replacement

- 2 Screw
- 1 Shaft
- 6 Tappet
- 6 Rod
- 1 Shaft
- 1 Key

Engine

F E-Line Restyling (2010-) - RP56 - F70/GE

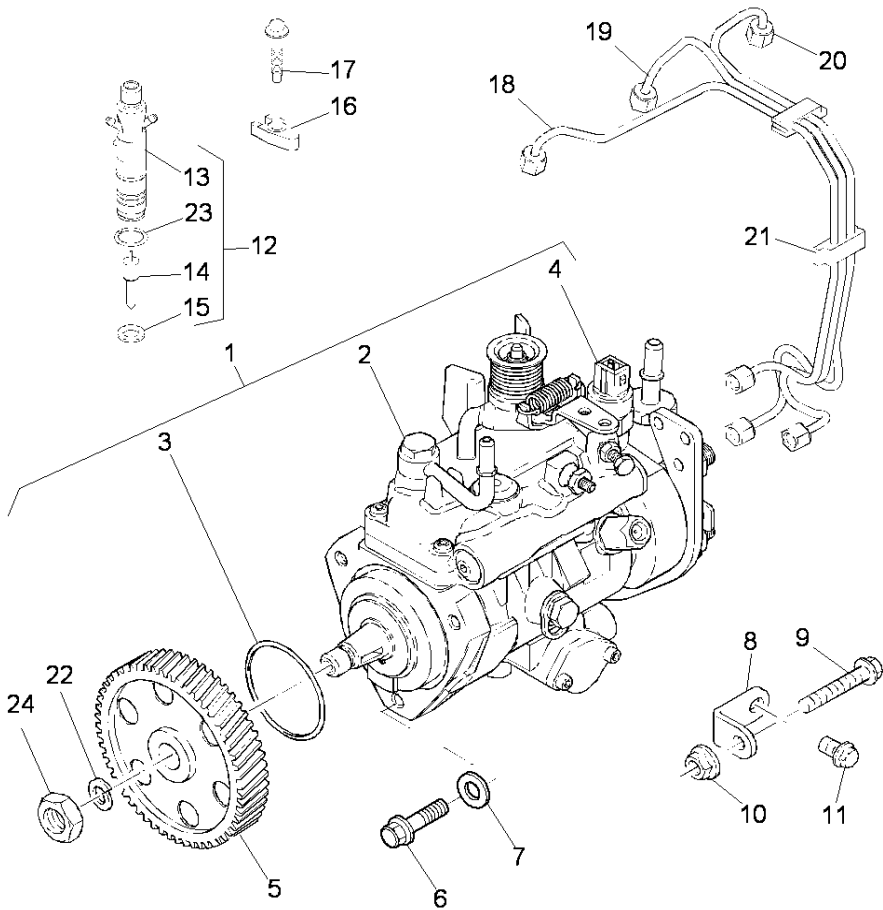
RP56\00040017.png

**A-05
09**



A0509

Fuel injection equipment (diesel)



1 T409193/22

2 ! 1

➡ Ref.n.1

3 26420318 ! 1

T-A 4:50

4 26420469 ! 1

(X) 1.2.5.

T-A 0:25

T-A 4:50

5 3117L261

6 2314H004

7 2411D008

8 3641A007

9 2314H003

10 2318A603

11 2314J002

12 2645K030

13 ! 12

➡ Ref.n.12

14 ! 12

➡ Ref. n.12

15 L311FF02 ! 12

T-A 2:0

16 3751A241 (X) 1.4.8.1

T-A 2:0

17 2314W009

Inglese

1 Pump

1 Pump

1 Ring

1 Solenoid

1 Gear

3 Screw

3 Washer

1 Stirrup

1 Screw

1 Nut

1 Screw

3 Nozzle

1 Atomiser

1 Nozzle

1 Washer

3 Clamp

3 Screw

Engine

F E-Line Restyling (2010-) - RP56 - F70/GE

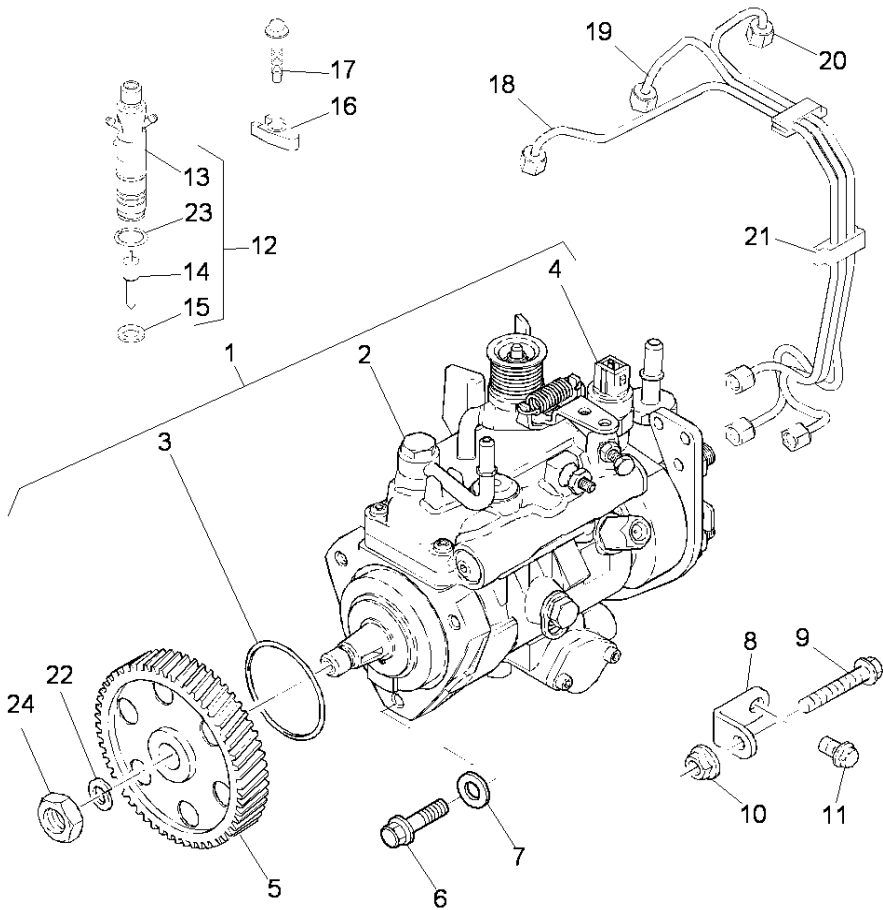
A-05
09



A0509

Fuel injection equipment (diesel)

RP56\00040017.png



18 3525A111

19 3525A112

20 3525A113

21 2646E018

22 K134AF01 ! 1

23 26460064 ! 12

24 2318A108 ! 1

Inglese

1 Pipe

1 Pipe

1 Pipe

2 Clip

1 Washer

1 Ring

1 Nut

! This is a component of an assembly

Not serviced, order

(X) Qty per tractors sold (aa.bbb.ccc.ddd) (aa) for 1,(bbb) 2-10 (ccc) 11-25 (ddd) 26-50

T-A Replacement

Engine

F E-Line Restyling (2010-) - RP56 - F70/GE

RP56\000015170.png

A-05
10



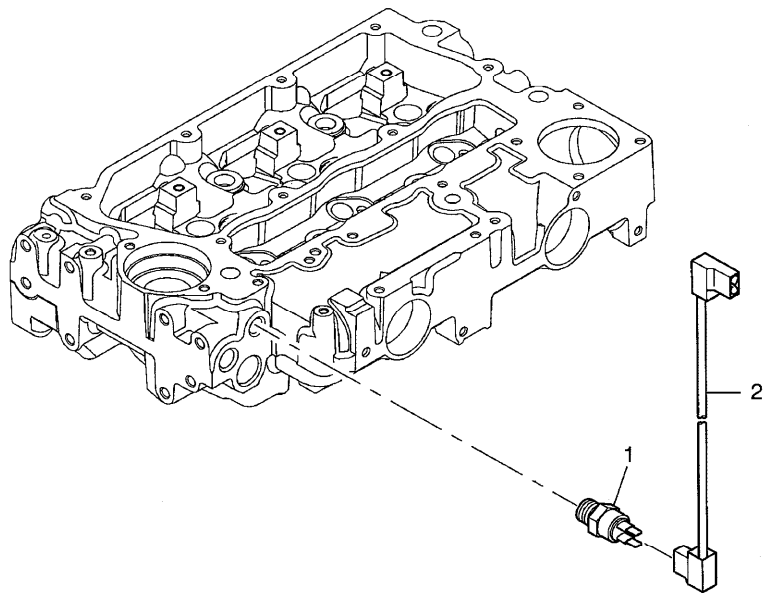
A0510

Sensor pickup

- 1 2848A123 A
 - 2 3161C017 T-A 0:50
- T-A Replacement
A Water temperature

Inglese

- 1 Sensor
- 1 Cable



Engine

F E-Line Restyling (2010-) - RP56 - F70/GE

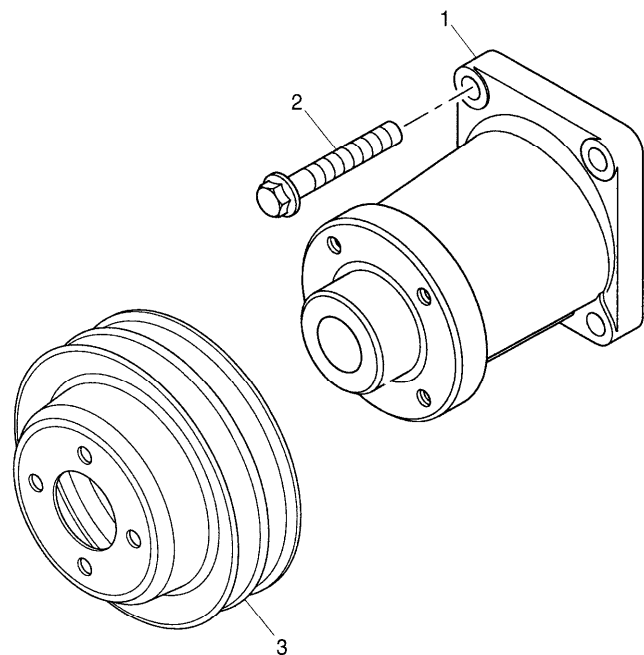
RP56\000020531.png

A-05
11



A0511

Fan-type pulley



- 1 4113K005 T-A 1:75
 - 2 2314J005
 - 3 3115C113
- T-A Replacement

Inglese

- 1 Housing
- 4 Screw
- 1 Pulley

Engine

F E-Line Restyling (2010-) - RP56 - F70/GE

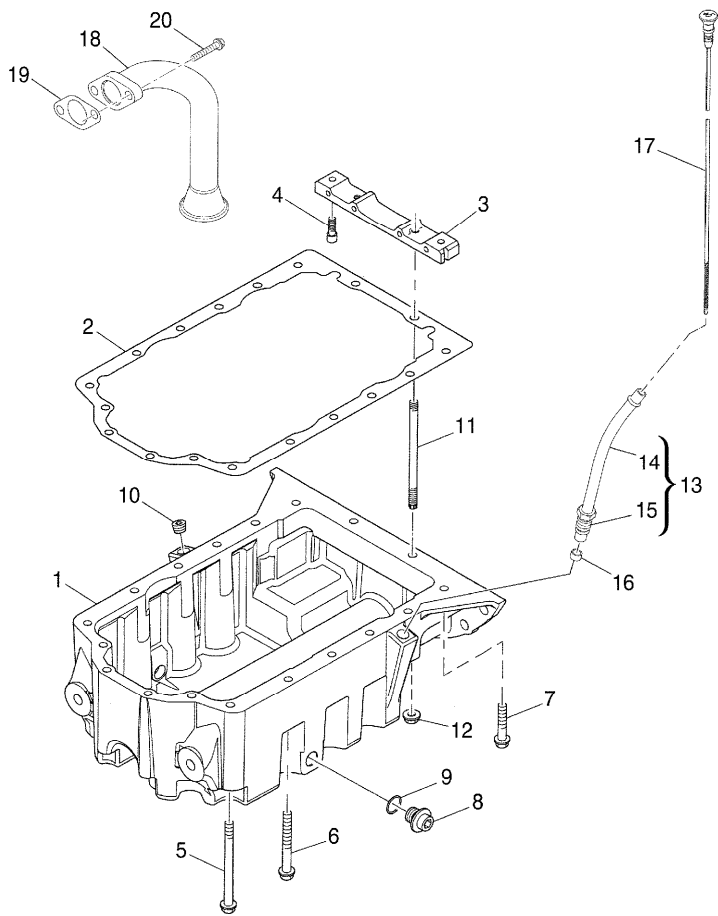
RP56\000020608.png

A-05
12



A0512

Lubricating oil sump



1	3717C142		
2	3681K038	(X)	1.5.8.1
		T-A	1:50
3	3627P041	T-A	1:50
4	2311D039		
5	2314H022	●	2314H052(6)
6	2314H015		
7	2314K159		
8	32186405	T-A	0:25
9	2415715	T-A	0:25
10	2431A016		
11	3211P022		
12	2318A603		
13	3577A159		
14		!	13
		➡	Ref.n.13
15	3353D005	!	13
16	33812116		
17	3178C081		
18	3575A064	T-A	1:50
19	36832137	T-A	1:50
20	2314H004		

Inglese

1	Sump
1	Gasket
1	Crosspiece
2	Screw
6	Screw
8	Screw
2	Screw
2	Plug
2	Ring
1	Plug
2	Stud
2	Nut
1	Pipe
1	Pipe
1	Nut
1	Olive
1	Rod
1	Pipe
1	Gasket
2	Screw

- ! This is a component of an assembly
- ➡ Not serviced, order
- Replacement

Engine

F E-Line Restyling (2010-) - RP56 - F70/GE

RP56\000020608.png

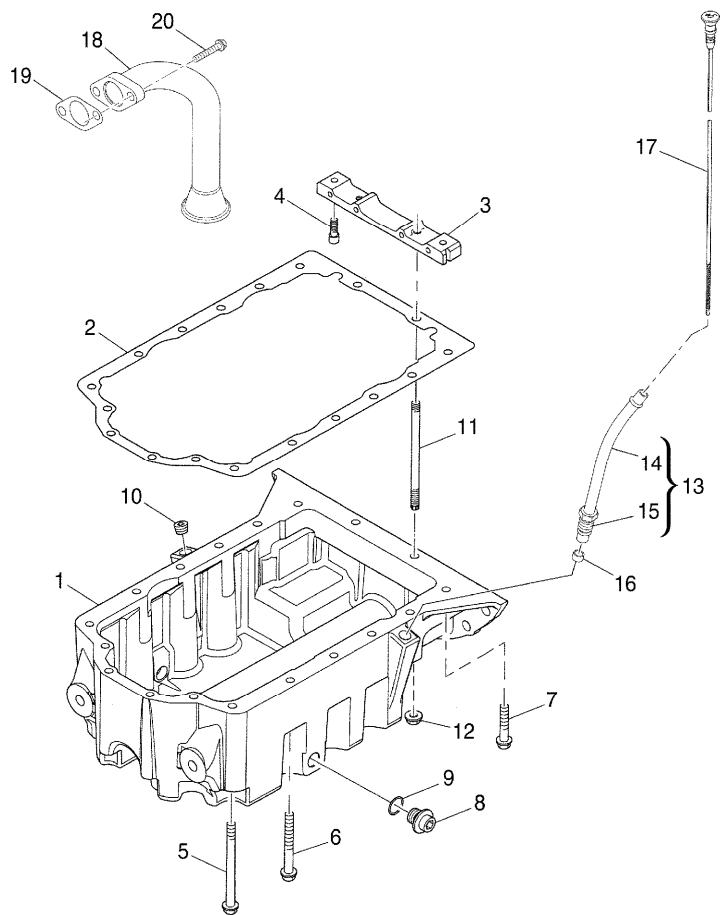
A-05
12



A0512

Lubricating oil sump

(X) Qty per tractors sold (aa.bbb.ccc.ddd) (aa) for 1,(bbb) 2-10 (ccc) 11-25 (ddd) 26-50
T-A Replacement



Engine

F E-Line Restyling (2010-) - RP56 - F70/GE

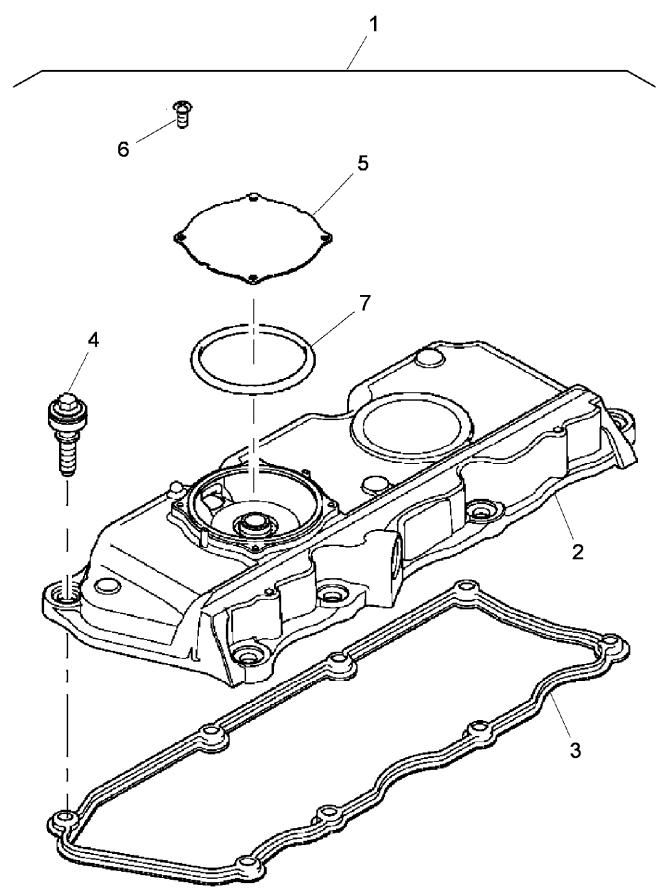
RP56\00008837.png

**A-05
13**



A0513

Cylinder head cover



		Inglese
1	4142X394	1 Coperch.
2	!	1 Cover
	➡ Ref.n.1	
3	3681A057	1 Gasket
	(X) 1.2.5.1	
	T-A 1:0	
4	2161A013	8 Screw
5	3615A034	1 Support
6	2152A034	4 Screw
7	3789A004	1 Gasket

- ! This is a component of an assembly
- ➡ Not serviced, order
- (X) Qty per tractors sold (aa.bbb.ccc.ddd) (aa) for 1,(bbb) 2-10 (ccc) 11-25 (ddd) 26-50
- T-A Replacement

Engine

F E-Line Restyling (2010-) - RP56 - F70/GE

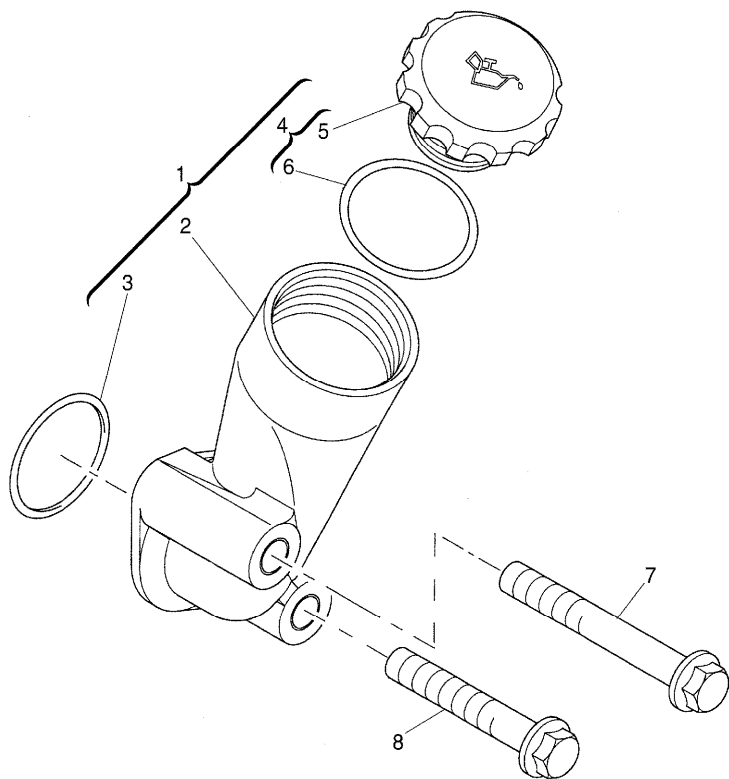
RP56\000020610.png

A-05
14



A0514

Filler



		Inglese
1	4134C073	1 Filler
2	!	1 Body
	➡ Ref.n.1	
3	2415H651	1 Ring
4	4142X098	1 Plug
	T-A 0:25	
5	!	1 Plug
	➡ Ref.n.4	
6	2415633	1 O ring
	T-A 0:25	
7	2314K161	1 Screw
8	2314H008	1 Screw
!	This is a component of an assembly	
➡	Not serviced, order	
T-A	Replacement	

Engine

F E-Line Restyling (2010-) - RP56 - F70/GE

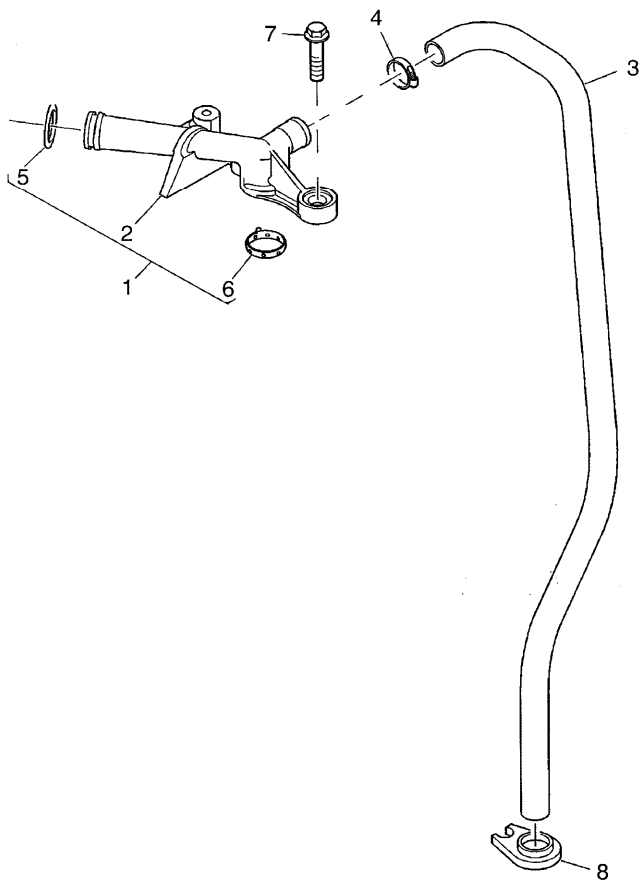
RP56\000015157.png

A-05
15



A0515

Breather



		Inglese	
1	4134K022		1 Pipe
2		! 1	1 Pipe
		➡ Ref.n.1	
3	3482V094		1 Pipe
4	2481863	● 21825195(1)	1 Clamp
5	2415A068	! 1	1 Ring
		T-A 0:50	
6	2415H701	! 1	1 Ring
7	2314F005		2 Screw
8	36241123		1 Support
	!	This is a component of an assembly	
	➡	Not serviced, order	
	●	Replacement	
	T-A	Replacement	

Engine

F E-Line Restyling (2010-) - RP56 - F70/GE

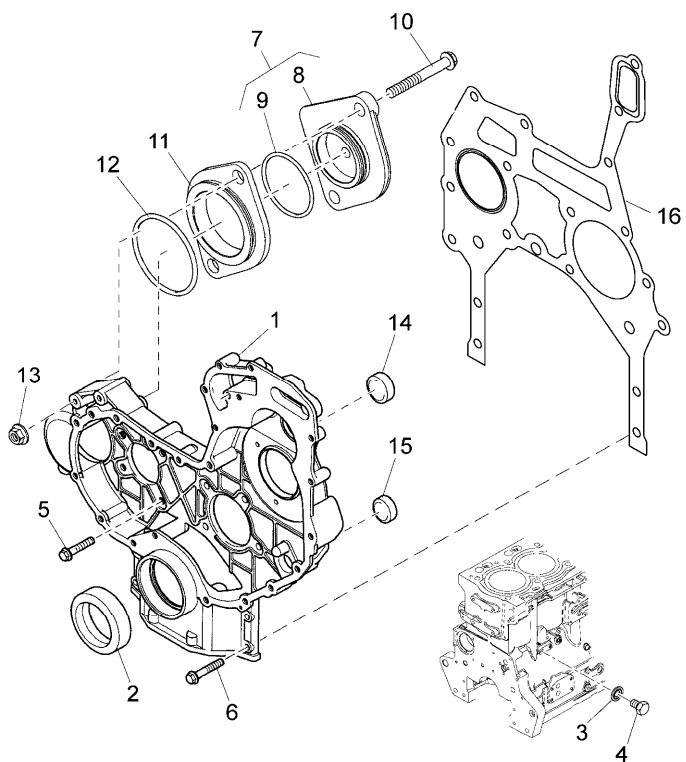
RP56\000015158.png

A-05
16



A0516

Gasket sets



		Inglese
1	3716C581	1 Housing
2	2418F437	1 Seal
3	2415D053	1 Washer
4	2314C049	1 Screw
5	2314H003	8 Screw
6	2314H034	4 Screw
7	4148K012	1 Plate
8	!	7
	➡	Ref.n.7
9	2415H515	1 Ring
10	2314J014	2 Screw
11	3617a044	1 Disc
12	2415H516	1 O ring
13	2318A604	2 Nut
14	2485A124	1 Plug
15	2485A124	1 Plug
16	3681P053	1 Gasket

! This is a component of an assembly
 ➡ Not serviced, order
 T-A Replacement

Engine

F E-Line Restyling (2010-) - RP56 - F70/GE

RP56\000020612.png

A-05
17



A0517

Cylinder head cover

1 3788N004 T-A 0:50

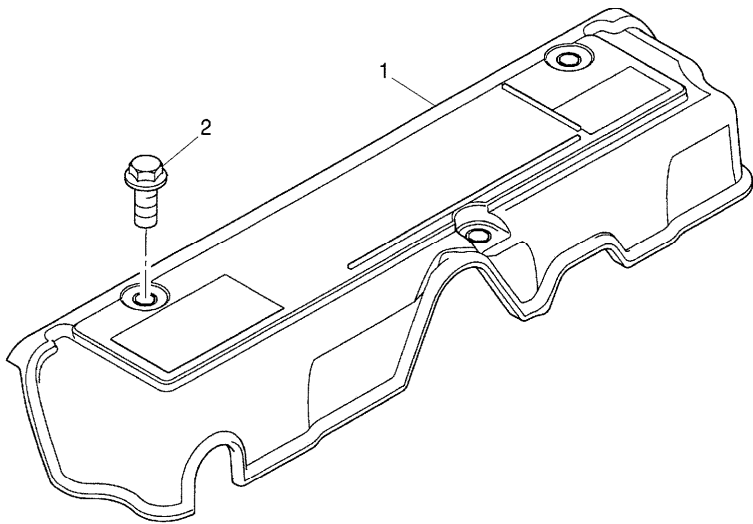
2 2314F003

T-A Replacement

Inglese

1 Guard

3 Screw



Engine

F E-Line Restyling (2010-) - RP56 - F70/GE

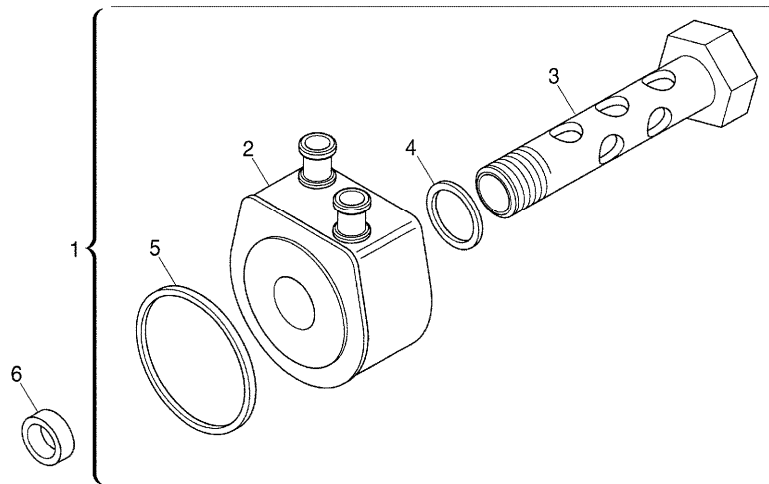
RP56\000020613.png

A-05
18



A0518

Oil radiator



		Inglese	
1	2486A221	● 2486A241(1) T-A 1:0	1 Cooler
2		! 1	1 Cooler
		➡ Ref.n.1	
3	2486A224	! 1 T-A 1:0	1 Adaptor
4	2411A524	! 1	1 Gasket
		● 2411A525(1)	
5	2486A223	! 1 (X) 1.2.5. T-A 1:0	1 Gasket
6	3311A042		1 Seal
	!	This is a component of an assembly	
	➡	Not serviced, order	
	●	Replacement	
	(X)	Qty per tractors sold (aa.bbb.ccc.ddd) (aa) for 1,(bbb) 2-10 (ccc) 11-25 (ddd) 26-50	
	T-A	Replacement	



Suggest:

For more complete manuals. Please go to the home page.

<https://www.ebooklibonline.com>

If the above button click is invalid. Please download this document first, and then click the above link to download the complete manual.

Thank you so much for reading

Engine

F E-Line Restyling (2010-) - RP56 - F70/GE

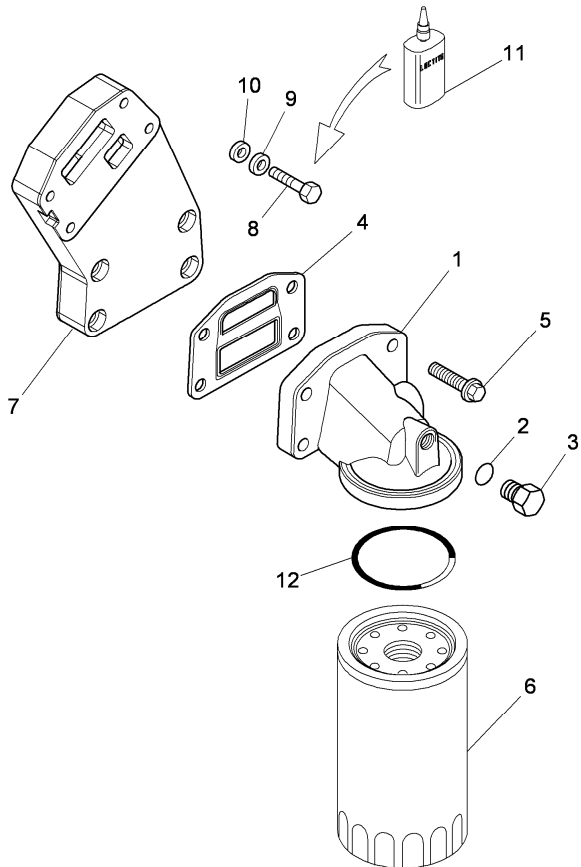
RP56\00040133.png

**A-05
19**



A0519

Lubricating oil filter



		Inglese
1	3773A061	1 Head
2	2415H009	1 O ring
3	3278A007	1 Plug
4	3688A039	1 Gasket
	(X) 2.5.8.1	
	T-A 0:50	
5	2314H034	4 Screw
6	⊕ A-05 20 01	1 Filter
7	3670728M1	1 Support
8	1440349X1	4 Screw
8	339011X1	4 Screw
9	390972X1	4 Washer
10	1440313X1	4 Lock washer
11	3663814M1	999 Loctite
12	3672135M1	2 Gasket
⊕	See page - reference number	
◄►	Length	
●	Replacement	
(X)	Qty per tractors sold (aa.bbb.ccc.ddd) (aa) for 1,(bbb) 2-10 (ccc) 11-25 (ddd) 26-50	
T-A	Replacement	

Engine

F E-Line Restyling (2010-) - RP56 - F70/GE

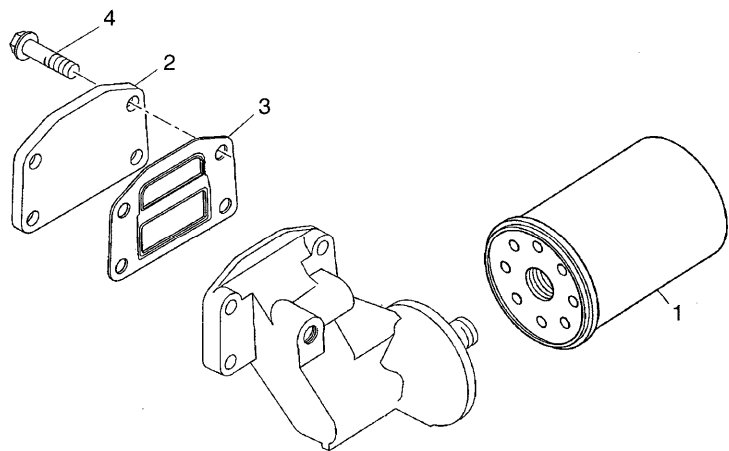
RP56\000015160.png

A-05
20



A0520

Closing plate



				Inglese
1	2654403	(X) 1.3.5.1		1 Filter
		T-A 0:25		
2	3623A009	T-A 0:50		1 Plate
3	3688A039	T-A 0:50		1 Gasket
4	2314H033			4 Screw
(X)	Qty per tractors sold (aa.bbb.ccc.ddd) (aa) for 1,(bbb) 2-10 (ccc) 11-25 (ddd) 26-50			
T-A	Replacement			

<https://www.ebooklibonline.com>

Hello dear friend!

Thank you very much for reading.

Enter the link into your browser.

The full manual is available for immediate download.

<https://www.ebooklibonline.com>