

Engine

Dmax (2013- ) - RT70 - 125

RT70\00044181.png

A-05  
01



A0501

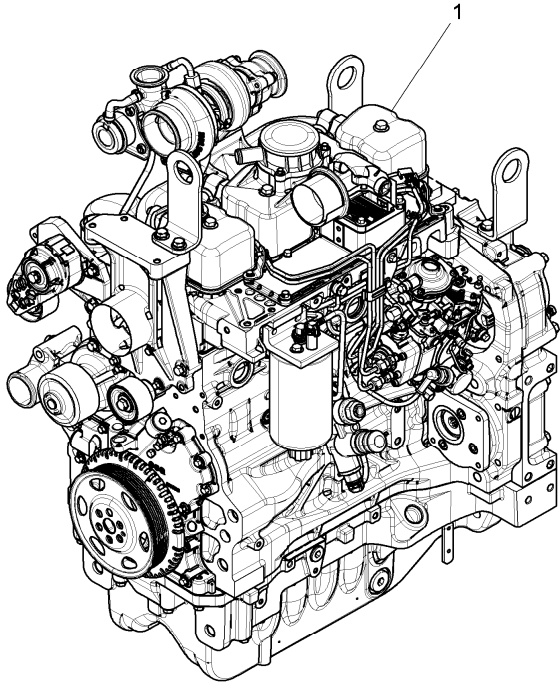
Engine assembly

1 6514335M92

88 kw

Inglese

1 Engine



Engine

Dmax (2013- ) - RT70 - 125

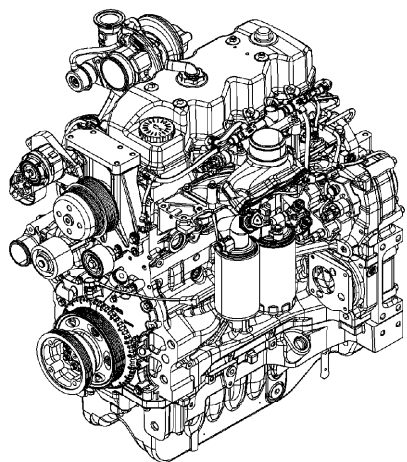
RT70\00045402.png

**A-05  
011**



A05011

Kit gasket



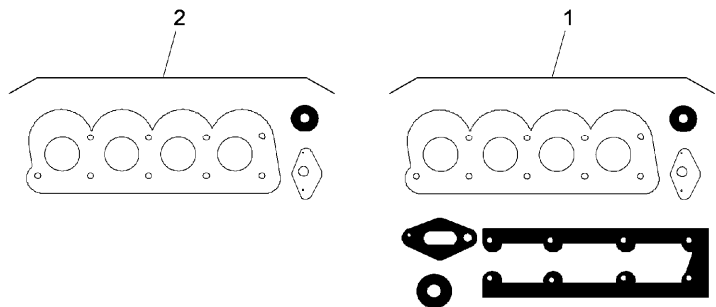
1 6528845M91

2 6528846M91

Inglese

1 Kit

1 Kit



Engine

Dmax (2013- ) - RT70 - 125

RT70\00045403.png

A-05  
012



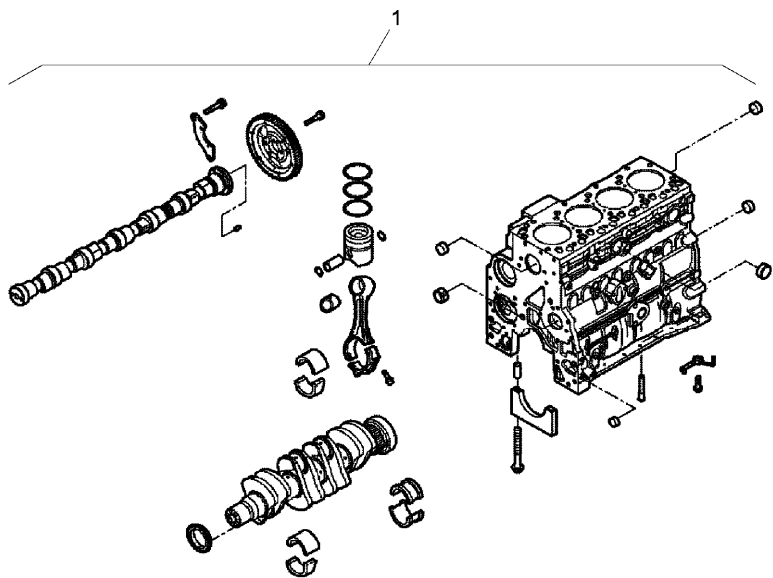
A05012

Short engine

1 6529088M1

Inglese

1 Short engine



**<https://www.ebooklibonline.com>**

Hello dear friend!

Thank you very much for reading.

Enter the link into your browser.

The full manual is available for immediate download.

**<https://www.ebooklibonline.com>**

Engine

Dmax (2013- ) - RT70 - 125

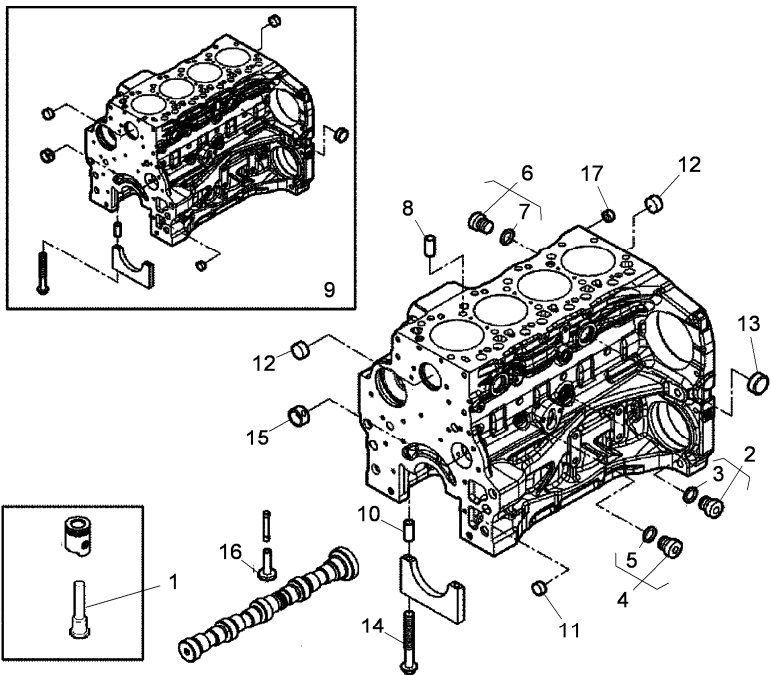
RT70\00045458.png

A-05  
04



A0504

Crankcase



Inglese

1	3688809M1			4	Splasher
2	3688800M1	●	704870A1(1)	1	Plug
3	3688868M1	!	2	1	Ring
3	3688994M1	!	2	1	Ring
4	3688822M1	●	704980A1(2)	2	Plug
5	3688855M1	!	4	1	Ring
6	3688780M1	●	704848A1(1)	1	Plug
7	3688781M1	!	6	1	Ring
		●	707405A1(1)		
8	3688760M1			2	Screw
9	6529062M1			1	Base
10	3688824M1	●	704983A1(10)	10	Screw
11	3688758M1			2	Plug
12	3688757M1			4	Plug
13	3688775M1			2	Plug
14	3688673M1	◄	M12x120	10	Screw
		●	704696A1(10)		
15	3688759M1			1	Bearing
16	704803A1			8	Register
17	3688628M1			1	Splasher
!	This is a component of an assembly				
◄	Length				
●	Replacement				

Engine

Dmax (2013- ) - RT70 - 125

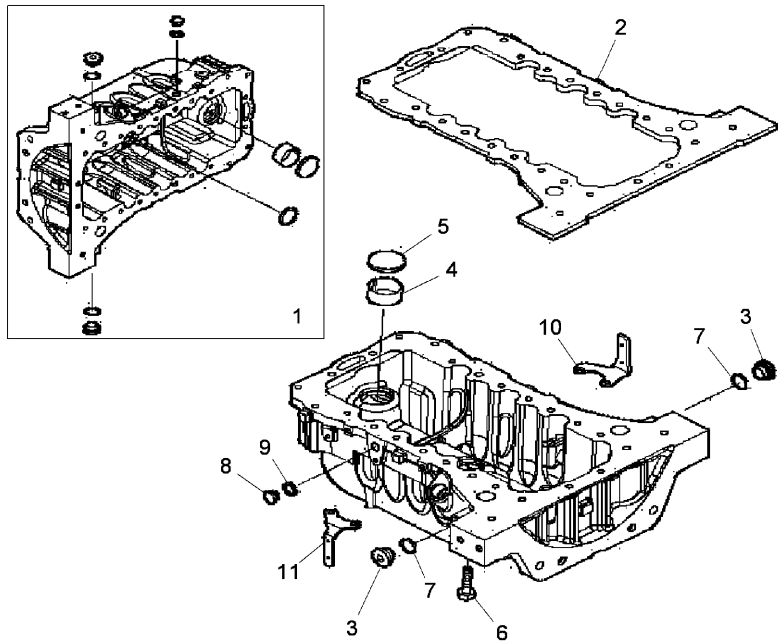
RT70\00045405.png

A-05  
042



A05042

Oil sump



- 1 6528843M91
- 2 6528778M1
- 3 3688691M1
- 4 3688803M1
- 5 3688804M1
- 6 3688678M1
- 6 3688679M1
- 6 3688778M1
- 6 4208118M1
- 7 3688997M1
- 8 4208121M1
- 9 6528826M1
- 10 4208119M1
- 11 4208120M1

- ◆ M10x190
- ◆ M10x90

◆ Length

Inglese

- 1 Pan
- 1 Gasket
- 2 Plug
- 1 Filter
- 1 Plug
- 2 Screw
- 18 Screw
- 2 Screw
- 4 Screw
- 2 Ring
- 1 Plug
- 1 Gasket
- 1 Stirrup
- 1 Stirrup

Engine

Dmax (2013- ) - RT70 - 125

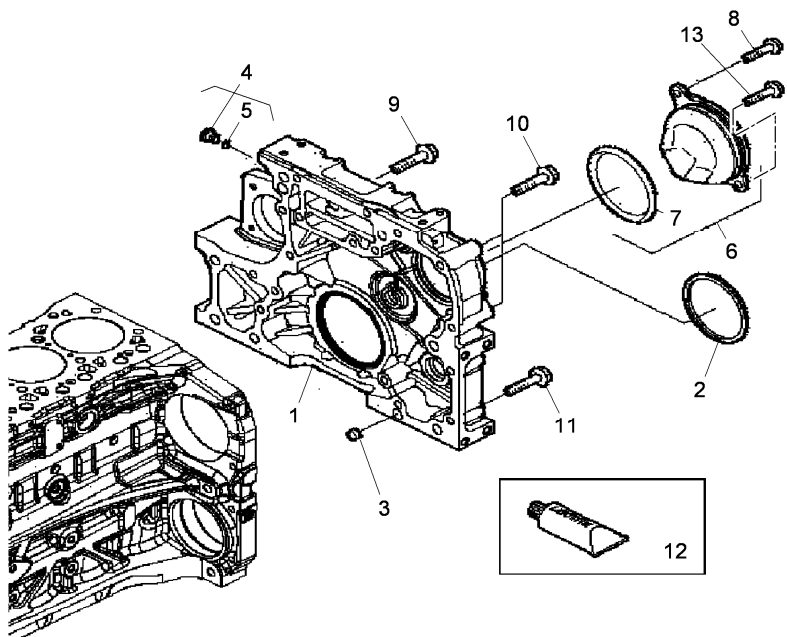
RT70\00045459.png

A-05  
043



A05043

Crankcase covers



		Inglese
1	4206380M1	1 Coperch.
2	6525730M1 ●	1 Ring
3	3688753M1	2 Screw
4	3688780M1 ●	1 Plug
5	3688781M1 ! 4	1 Ring
	● 707405A1(1)	
6	4208123M1	1 Coperch.
7	3689092M1 ! 6	1 Ring
8	3688941M1 ●	1 Screw
9	3688673M1 ●	15 Screw
10	3688869M1	2 Screw
11	3688874M1	1 Screw
12	3688632M1 ● 3688632M2(999)	999 Adhesive
13	4208124M1	1 Screw
!	This is a component of an assembly	
●	Replacement	

Engine

Dmax (2013- ) - RT70 - 125

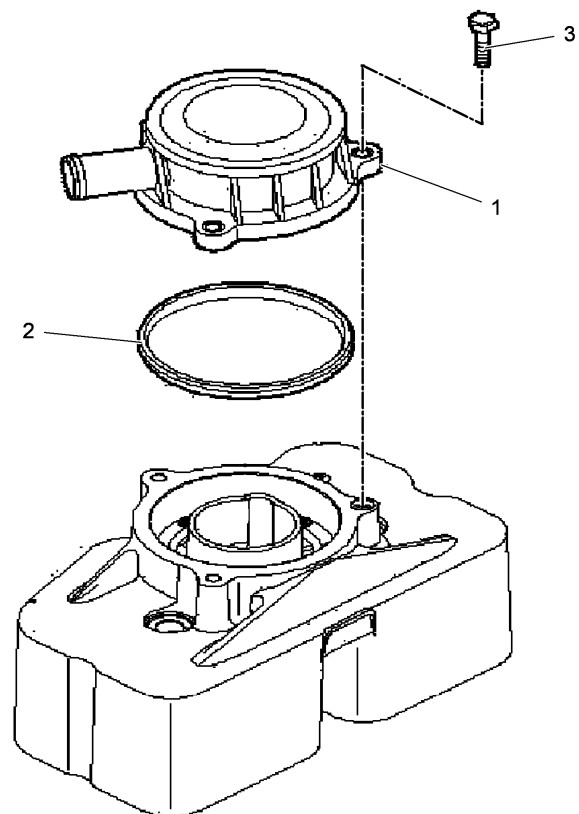
RT70\00045503.png

A-05  
045



A05045

Engine breathers



- 1 707434A1
- 2 707435A1
- 3 3688866M1 ● 705021A1(3)
- Replacement

Inglese

- 1 Valve
- 1 Gasket
- 3 Screw

Engine

Dmax (2013- ) - RT70 - 125

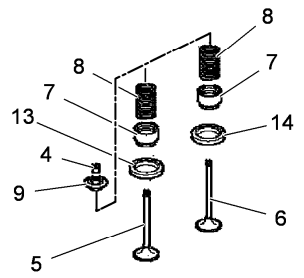
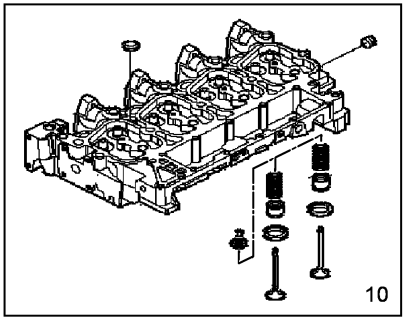
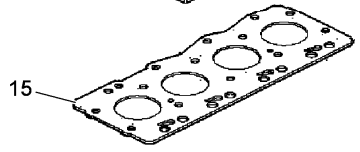
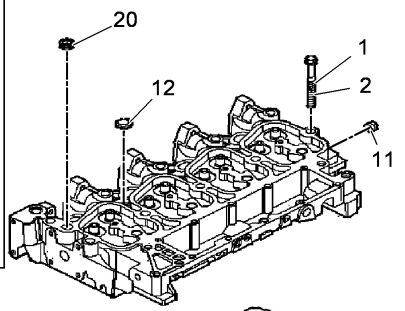
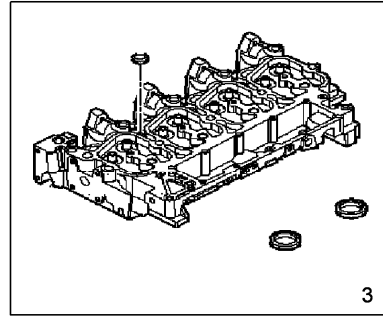
RT70\00045464.png

A-05  
061



A05061

Head cylinder



- 1 707391A1
- 2 707390A1
- 3 6529081M1
- 4 704804A1
- 5 704807A1
- 6 704806A1
- 7 704836A1
- 8 704821A1
- 9 704805A1
- 10 6529070M91
- 11 3688768M1
- 12 704802A1
- 13 704921A1
- 14 704922A1
- 15 6529063M1
- 20 704784A1

- M12 x 1.75 x 73
- M12 x 1.75 x 143

Inglese

- 4 Screw
- 10 Screw
- 1 Head
- 16 Cone
- 4 Valve
- 4 Valve
- 8 Cap
- 8 Spring
- 8 Cup
- 1 Kit
- 1 Plug
- 3 Plug
- 4 Valve seat
- 4 Valve seat
- 1
- 1 Plug

Engine

Dmax (2013- ) - RT70 - 125

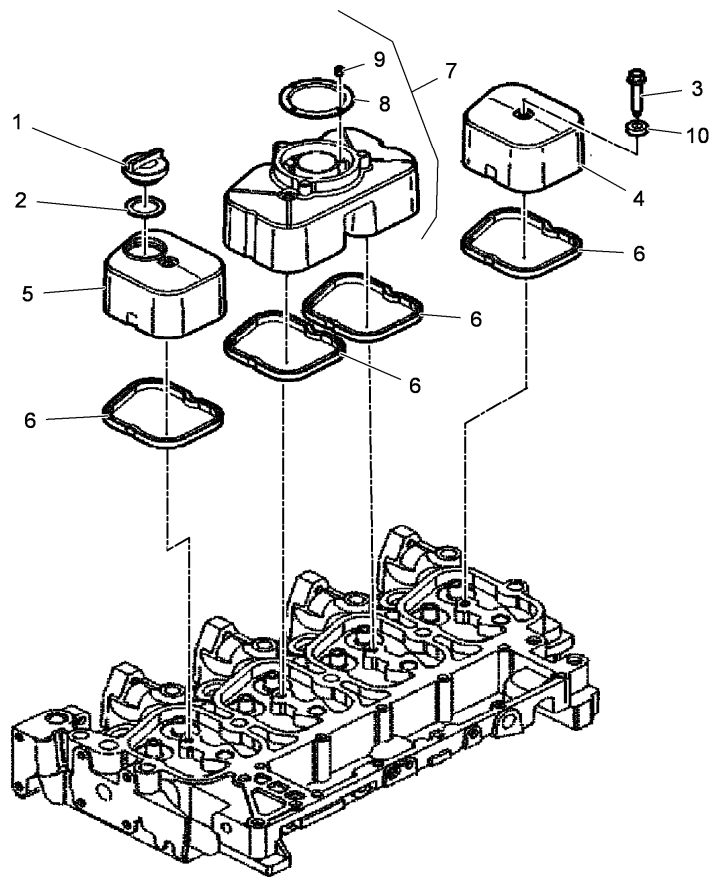
RT70\00045467.png

A-05  
063



A05063

Cylinder head cover



- 1 4208125M1
- 2 4208126M1
- 3 704820A1
- 4 705188A1
- 5 4208127M1
- 6 705147A1
- 7 704650A1
- 8 707378A1 ! 7
- 9 6529074M1 ! 7
- 10 707403A1

! This is a component of an assembly

Inglese

- 1 Plug
- 1 Gasket
- 4 Screw
- 1 Coperch.
- 1 Coperch.
- 4 Gasket
- 1 Coperch.
- 1 Ring
- 4 Gasket
- 4 Seal

Engine

Dmax (2013- ) - RT70 - 125

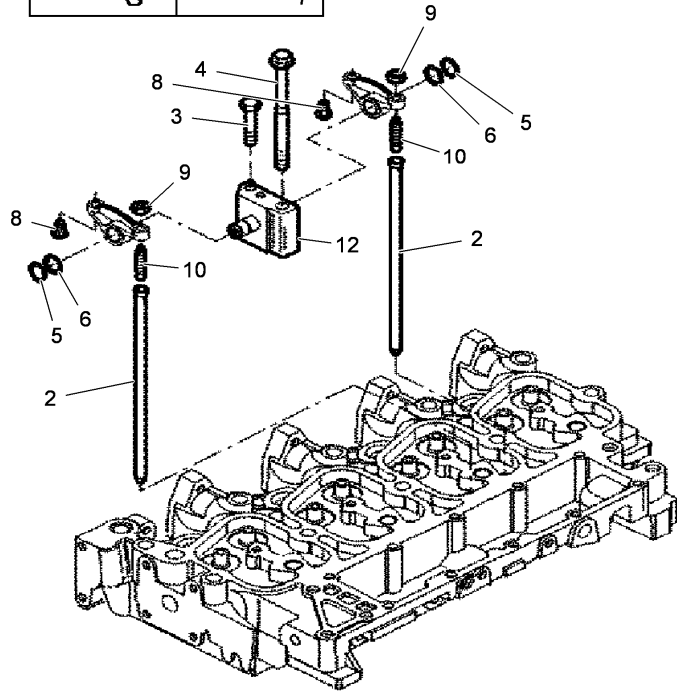
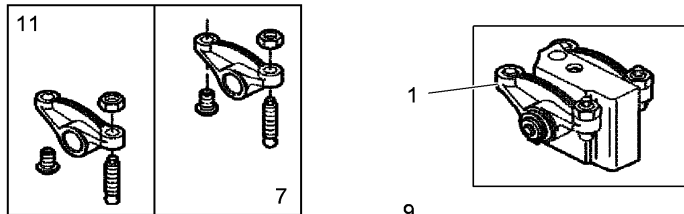
RT70\00045469.png

A-05  
066



A05066

Rocker shaft



- 1 704809A1
- 2 704841A1
- 3 4208128M1
- 4 704716A1
- 5 704843A1
- 6 704844A1
- 7 704810A1
- 8 704845A1
- 9 6513403M1
- 10 704813A1
- 11 704814A1
- 12 704816A1

Inglese

- 4 Shaft
- 8 Rod
- 4 Screw
- 4 Screw
- 8 Ring
- 8 Washer
- 4 Rocker
- 8 Pin
- 8 Nut
- 8 Screw
- 4 Rocker
- 4 Support

Engine

Dmax (2013- ) - RT70 - 125

RT70\00045470.png

A-05  
071



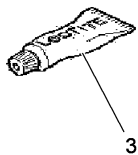
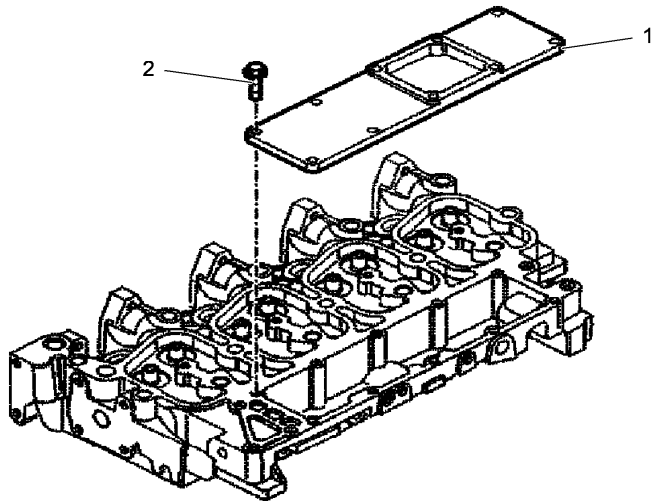
A05071

Induction manifold

- 1 6529080M1
- 2 3688850M1
- 3 6500933M1

Inglese

- 1 Cover
- 6 Screw
- 1 Loctite



Engine

Dmax (2013- ) - RT70 - 125

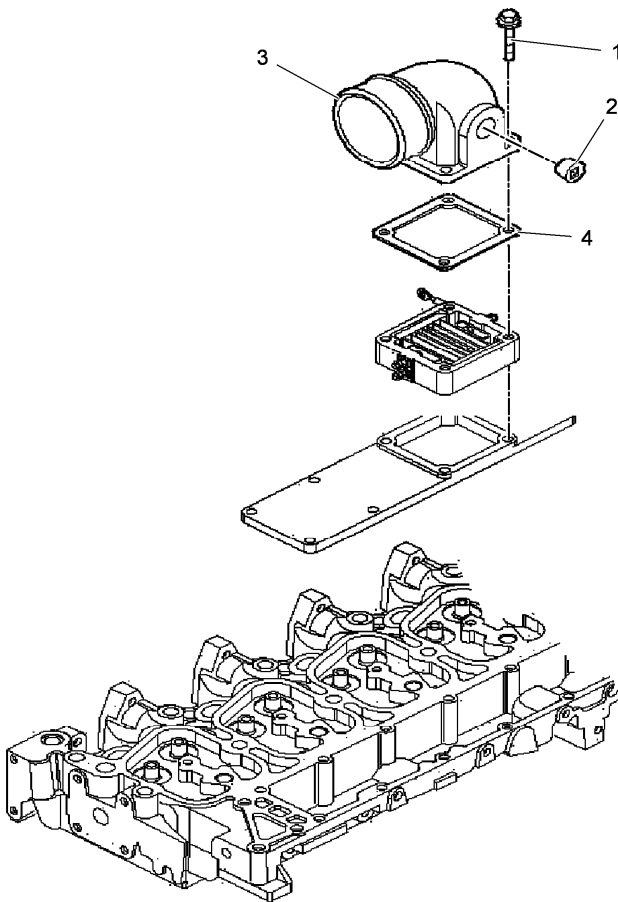
RT70\00045504.png

A-05  
072



A05072

Engine air intake



- 1 3688777M1
- 2 704785A1
- 3 704857A1
- 4 6500220M1

Inglese

- 4 Screw
- 2 Plug
- 1 Intake
- 1 Gasket

Engine

Dmax (2013- ) - RT70 - 125

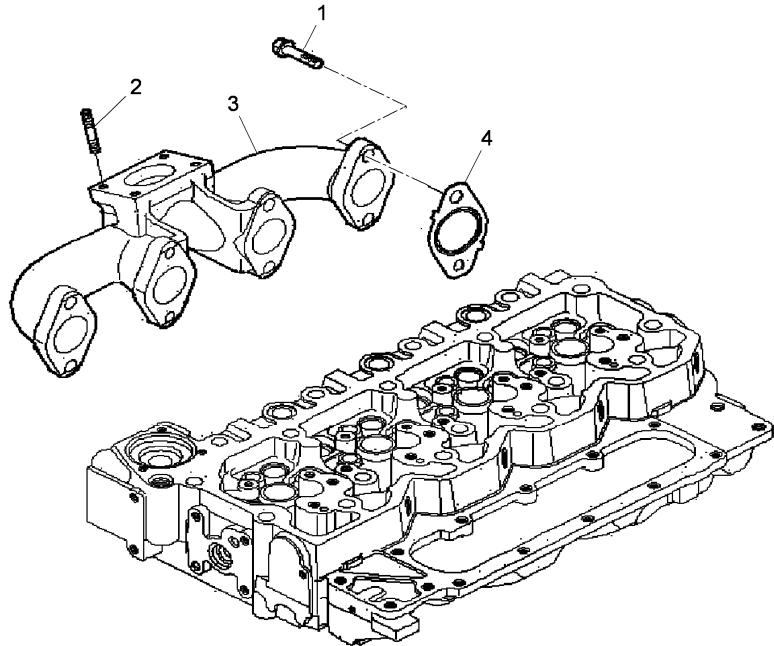
RT70\00045471.png

**A-05  
078**



A05078

Exhaust manifold



- 1 3689072M1
- 2 6528848M1
- 3 6529064M1
- 4 705273A1

**Inglese**

- 8 Screw
- 4 Screw
- 1 Manifold
- 4 Gasket

Engine

Dmax (2013- ) - RT70 - 125

RT70\00045414.png

A-05  
08



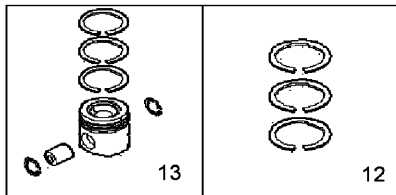
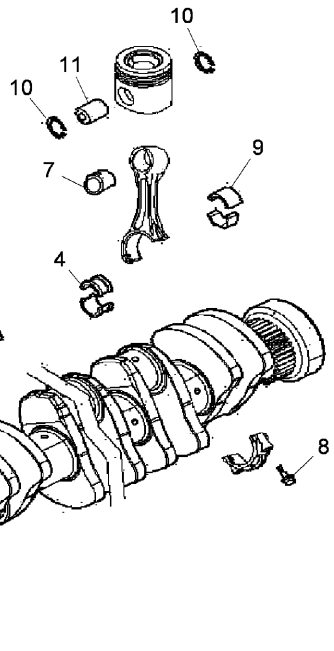
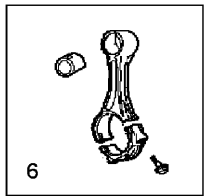
A0508

Crank shaft - connecting rods

Inglese

1	6528815M1		1	Shaft
2	4206387M1		1	Bush
3	3688637M1		4	Cuscinet
3	3688638M1	⚡	4	Cuscinet
3	3688639M1	⚡	4	Cuscinet
4	3688634M1		1	Cuscinet
4	3688635M1	⚡	1	Bearing
4	3688636M1	⚡	1	Cuscinet
5	3688851M1	●	1	Screw
6	3688624M1		4	Conrod
7	3688675M1	!	6	Bush
8	3688623M1	!	8	Screw
9	3688880M1		4	Cuscinet
9	4206388M1	⚡	4	Cuscinet
9	4206389M1	⚡	4	Cuscinet
10	3689087M1		8	Ring
11	3688676M1		4	Pin
12	3688921M1		4	Kit
12	3688923M92	⚡	4	Kit
		●		713981A1(4)
13	4208130M1		4	Piston
13	4208156M1	⚡	4	Piston

- ! This is a component of an assembly
- ⚡ Shim
- Replacement



Engine

Dmax (2013- ) - RT70 - 125

RT70\00045478.png

A-05  
084



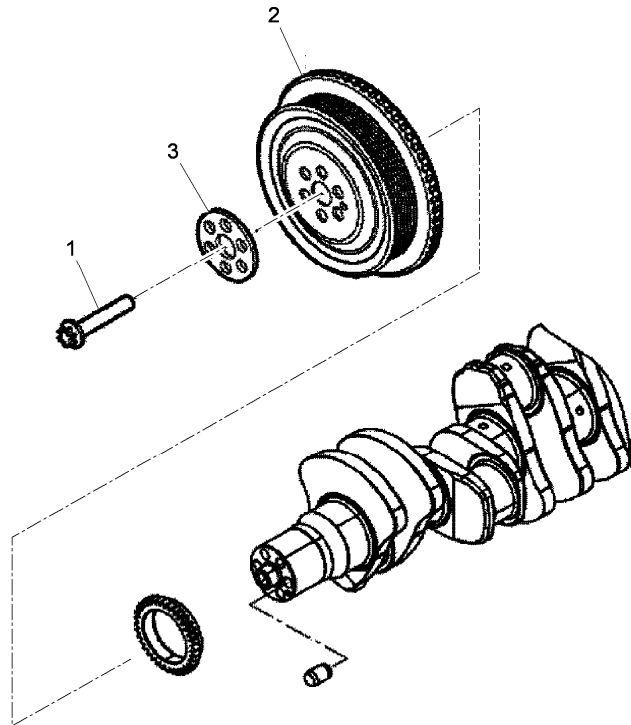
A05084

Vibration damper

- 1 3688681M1
- 2 6528777M1
- 3 4208158M1

Inglese

- 6 Screw
- 1 Pulley
- 1 Spacer



Engine

Dmax (2013- ) - RT70 - 125

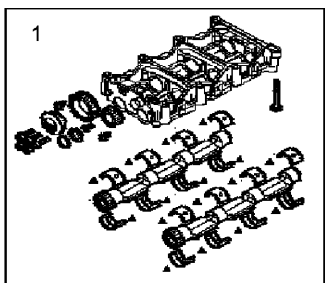
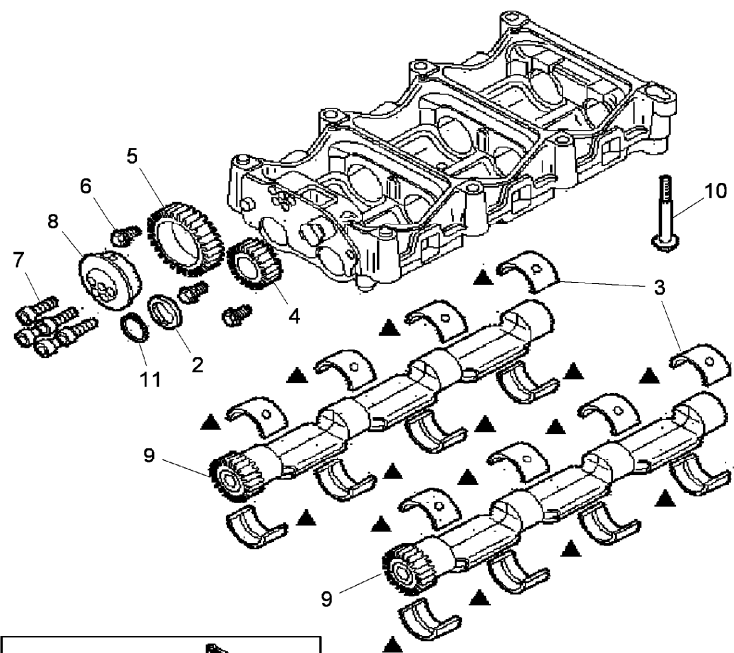
A-05  
105



A05105

Additional masses

RT70\00045416.png



- 1 6528805M1
- 2 6528783M1
- 3 6528844M1
- 4 6528782M1
- 5 6528781M1
- 6 3688799M1
- 7 6528769M1
- 8 6528775M1
- 9 6528801M1
- 10 6528784M1
- 10 705020A1
- 11 6528766M1

Inglese

- 1 Support
- 1 Lock washer
- 1 Bush
- 1 Gear
- 1 Gear
- 3 Screw
- 5 Screw
- 1 Shaft
- 2 Shaft
- 1 Screw
- 7 Screw
- 1 Shackle

Engine

Dmax (2013- ) - RT70 - 125

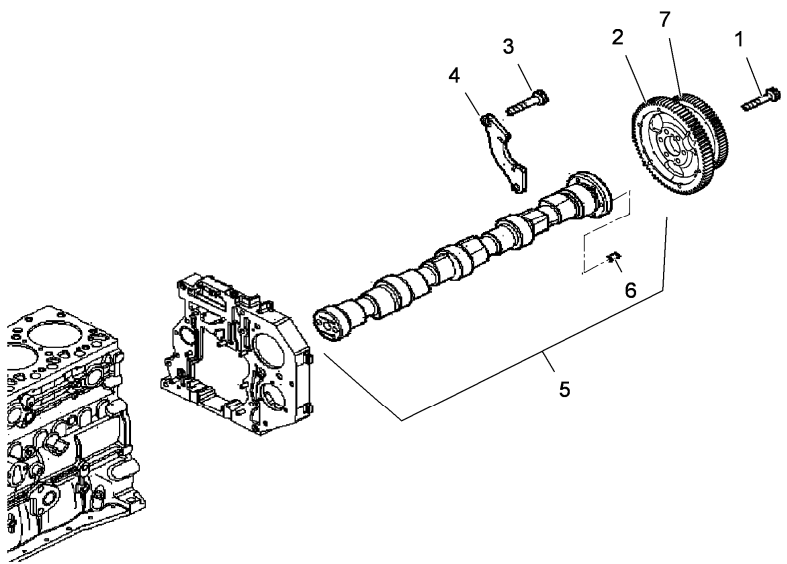
RT70\00045479.png

A-05  
125



A05125

Timing parts



- 1 4208159M1
- 2 4208160M1
- 3 3688854M1
- 4 3688818M1
- 5 6529093M1
- 6 3688857M1
- 7 4208162M1

- ◄ M8x17
- 704997A1(2)
- 704931A1(1)
- 705005A1(1)

◄ Length  
● Replacement

- Inglese
- 6 Screw
  - 1 Gear
  - 2 Screw
  - 1 Stirrup
  - 1 Shaft
  - 1 Screw
  - 1 Gear

Engine

Dmax (2013- ) - RT70 - 125

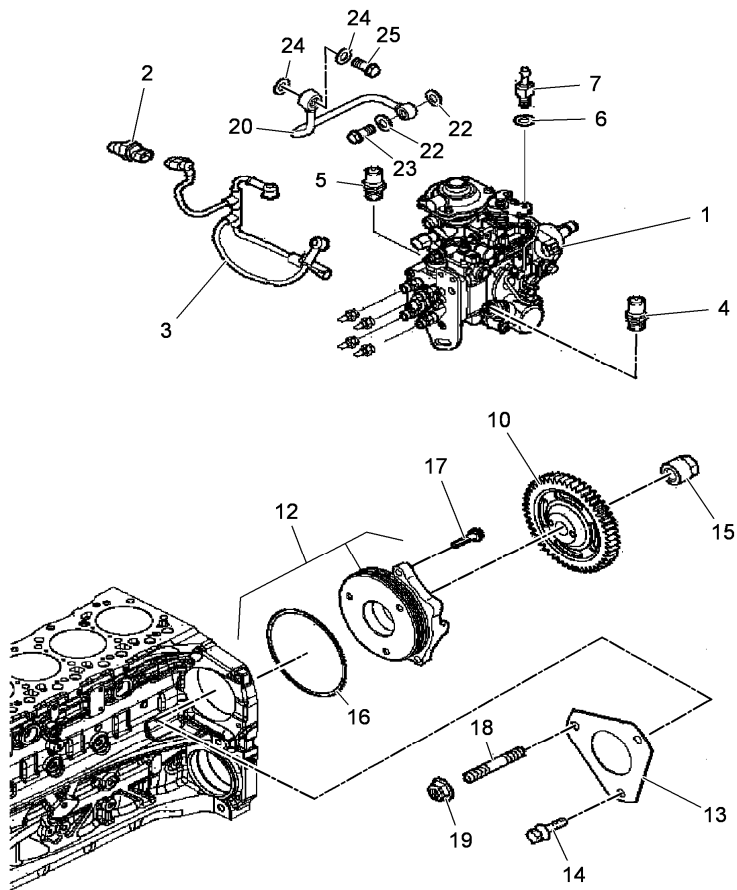
RT70\00045507.png

A-05  
14



A0514

Fuel injection system (8110850)



- 1 6529086M91
- 2 4213703M1
- 3 705161A1
- 4 4208166M1
- 5 6529071M1
- 6 6529075M1
- 7 4208337M1
- 10 4208168M1
- 12 4208170M1
- 13 710622A1
- 14 4208172M1
- 15 4208169M1
- 16 3689000M1 ! 12
- 17 3688853M1
- 18 4208171M1
- 19 3688948M1
- 20 6529065M1 ● 6533210M91(1)
- 22 704633A1
- 23 704621A1
- 24 6529073M1
- 25 6529072M1

Inglese

- 1 Injection pump
- 1 Sensor
- 1 Cable
- 1 Magnet
- 1 Kit
- 1 Gasket
- 1 Universal joint
- 1 Gear
- 1 Spacer
- 1 Gasket
- 1 Screw
- 1 Nut
- 2 Ring
- 3 Screw
- 2 Screw
- 2 Nut
- 1 Pipe
- 2 Gasket
- 1 Filler
- 2 Filler
- 1 Filler

! This is a component of an assembly  
 ● Replacement

Engine

Dmax (2013- ) - RT70 - 125

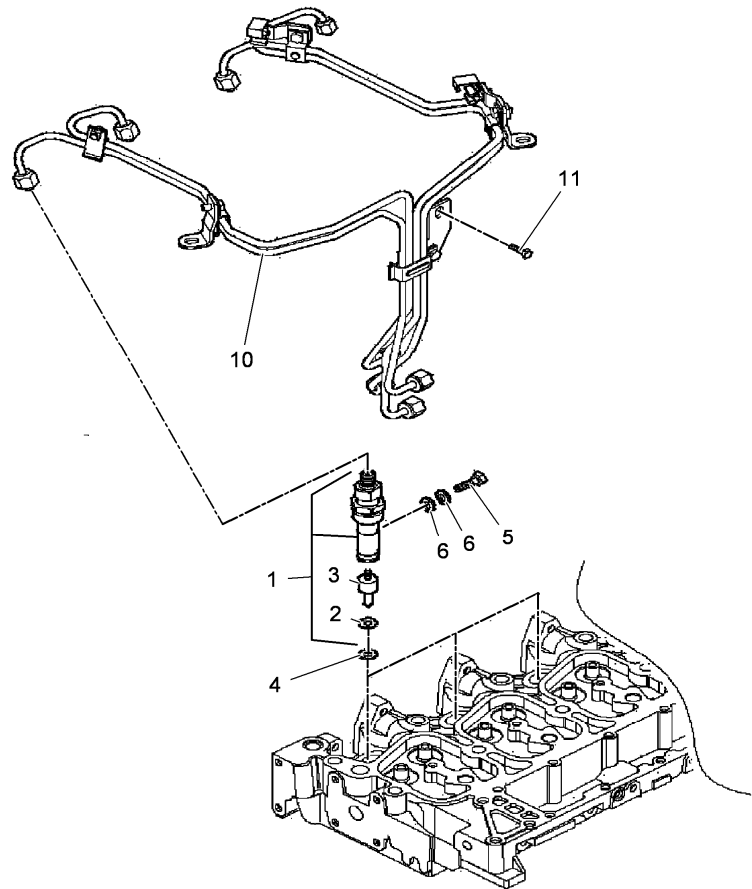
RT70\00045484.png

A-05  
148



A05148

Nozzles



- 1 6529084M1
- 2 3688876M1
- 3 4208174M1
- 4 707401A1
- 5 4208176M1
- 6 4208177M1
- 10 6529077M91
- 11 704904A1

Inglese

- 4 Nozzle
- 4 Lock washer
- 4 Nozzle
- 4 Gasket
- 4 Filler
- 8 Ring
- 1 Pipe
- 1 Screw

Engine

Dmax (2013- ) - RT70 - 125

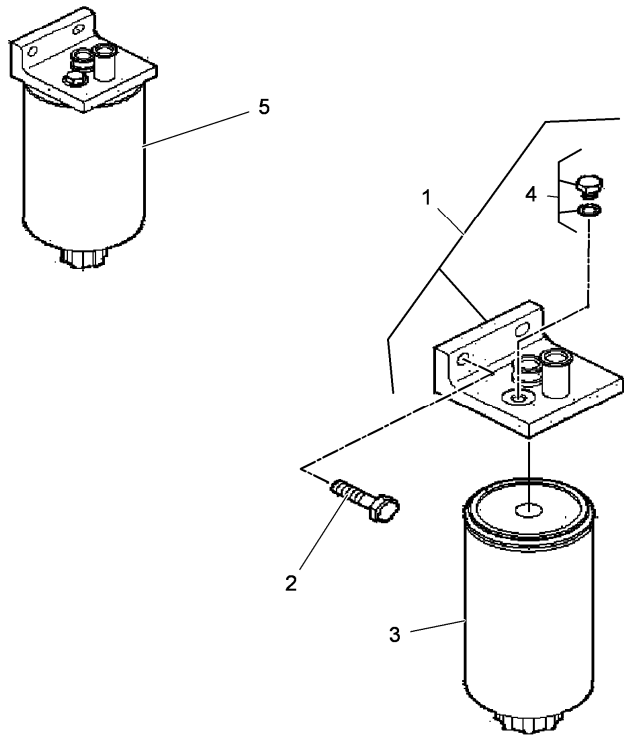
RT70\00045485.png

A-05  
20



A0520

Fuel filter



- 1 6500934M1
- 2 3688856M1
- 3 6508562M91
- 4 6513444M91
- 5 6507443M91

Inglese

- 1 Support
- 2 Screw
- 1 Cartridge
- 1 Screw
- 1 Filter

Engine

Dmax (2013- ) - RT70 - 125

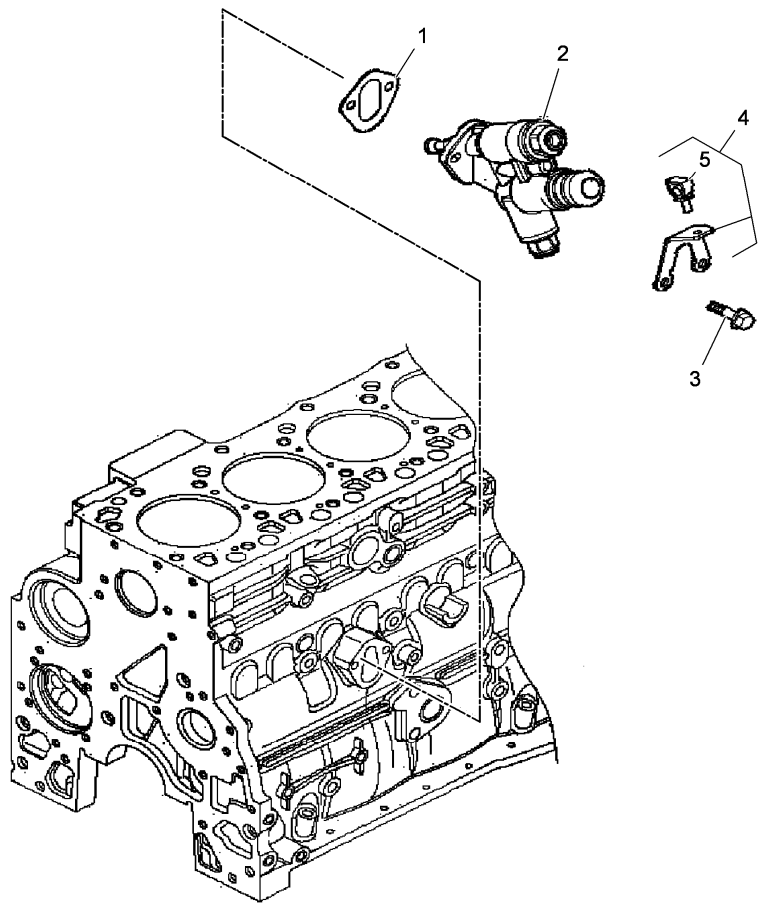
RT70\00045509.png

A-05  
201



A05201

Fuel pump



- 1 3688642M1 ● 704684A1(1)
- 2 6526705M1
- 3 3688856M1
- 4 6529091M1
- 5 705191A1
- Replacement

Inglese

- 1 Gasket
- 1 Pump
- 2 Screw
- 1 Stirrup
- 1 Clip

Engine

Dmax (2013- ) - RT70 - 125

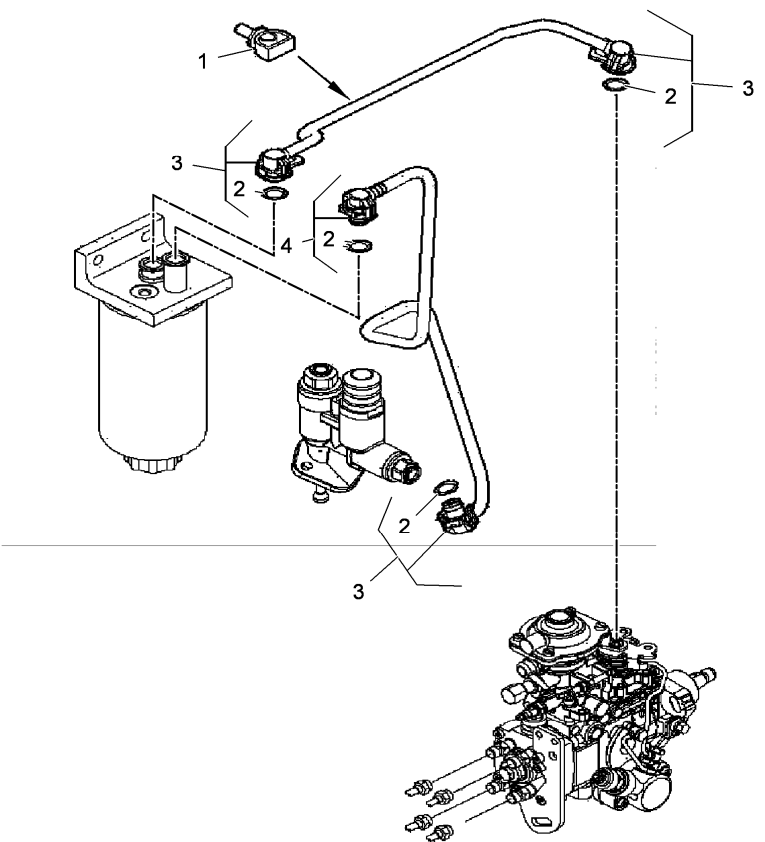
RT70\00045490.png

A-05  
203



A05203

Fuel lines



- 1 705191A1
- 2 3688690M1 ! 4
- 3 6529061M1 ! 2
- 4 6529089M1

! This is a component of an assembly

Inglese

- 1 Clip
- 4 Ring
- 1 Pipe
- 1 Pipe

Engine

Dmax (2013- ) - RT70 - 125

RT70\00045492.png

A-05  
204



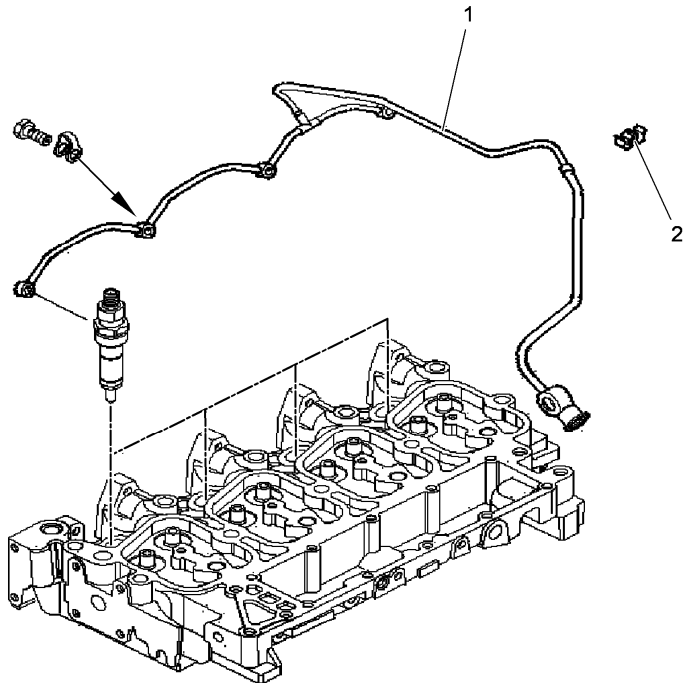
A05204

Fuel lines

Inglese

- 1 6529078M1
- 2 6529076M1

- 1 Pipe
- 1 Spring



Engine

Dmax (2013- ) - RT70 - 125

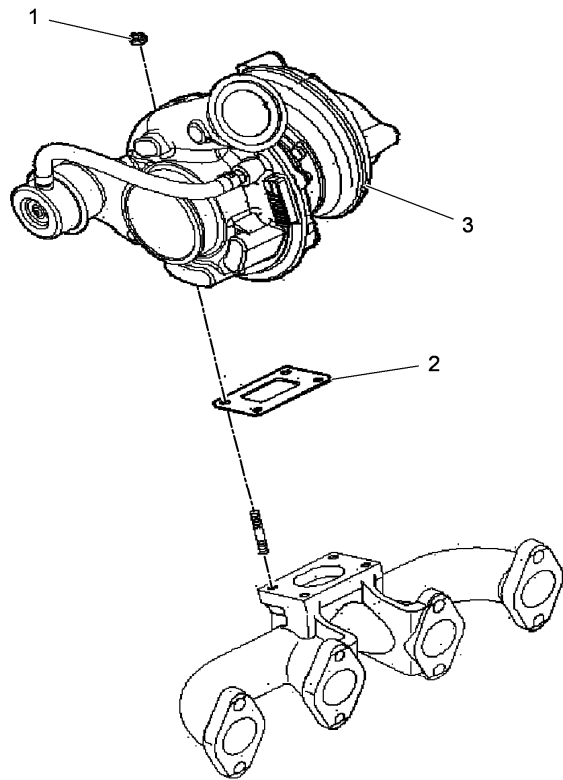
RT70\00045493.png

A-05  
24



A0524

Turbocharger



- 1 6528789M1
- 2 6528779M1
- 3 6529087M91

Inglese

- 4 Nut
- 1 Gasket
- 1 Turbocharger

Engine

Dmax (2013- ) - RT70 - 125

RT70\00045428.png

**A-05**  
**242**



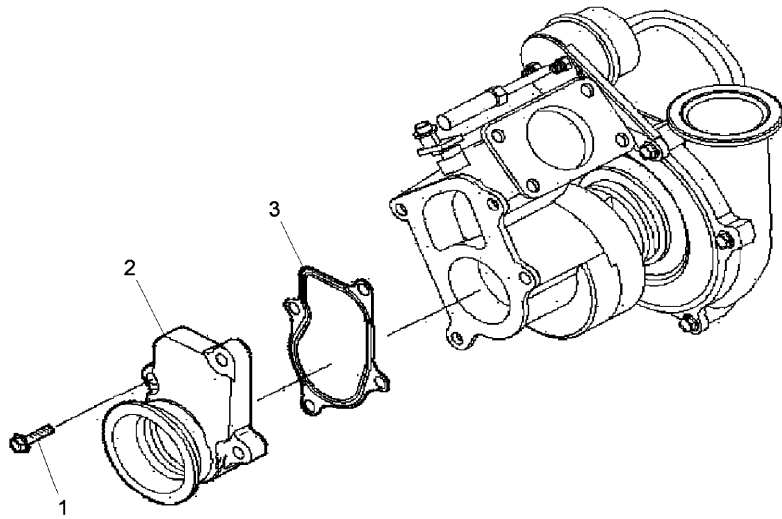
A05242

Entry air pipe

- 1 6528785M1
- 2 6528791M1
- 3 6528792M1

**Inglese**

- 4 Screw
- 1 Flange
- 1 Gasket





**Suggest:**

**For more complete manuals. Please go to the home page.**

**<https://www.ebooklibonline.com>**

**If the above button click is invalid. Please download this document first, and then click the above link to download the complete manual.**

**Thank you so much for reading**

Engine

Dmax (2013- ) - RT70 - 125

RT70\00045429.png

A-05  
27



A0527

Oil level

1 3688653M1

2 6528796M1

3 6528842M1 ! 2

● 6528842M2(1)

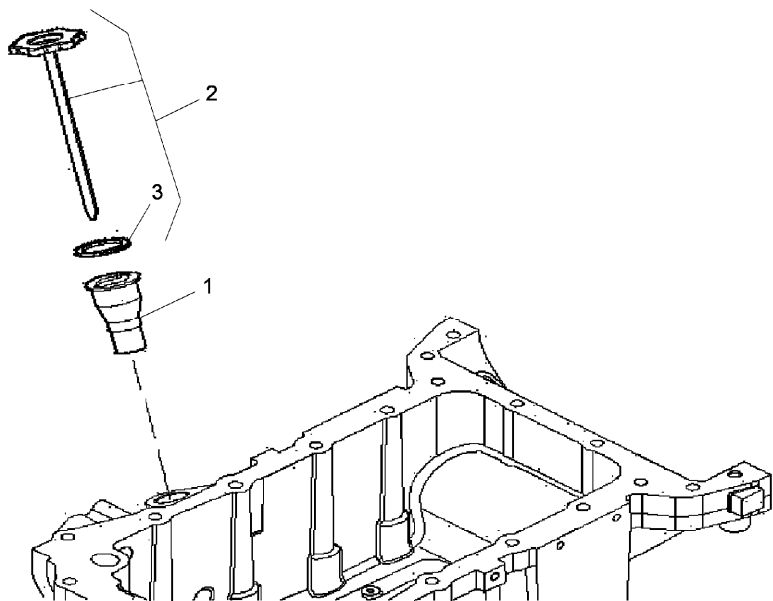
! This is a component of an assembly  
● Replacement

Inglese

1 Pipe

1 Rod

1 Gasket



Engine

Dmax (2013- ) - RT70 - 125

RT70\00006018.png

A-05  
271



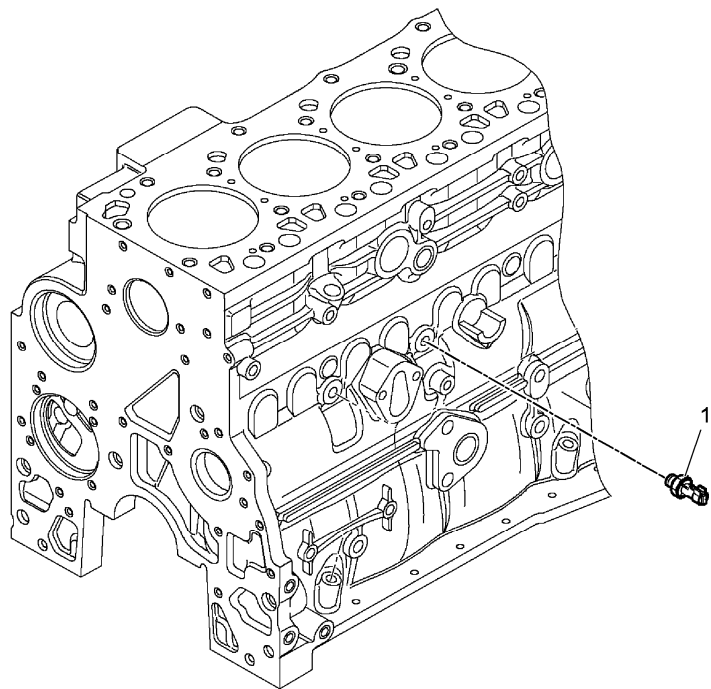
A05271

Oil gauge

Inglese

1 4208240M1

1 Sensor



**<https://www.ebooklibonline.com>**

Hello dear friend!

Thank you very much for reading.

Enter the link into your browser.

The full manual is available for immediate download.

**<https://www.ebooklibonline.com>**