

Engine

Cx-I tier 3 (2007-2013) - RP22 - 80

RP22\00006350.png

A-05  
01



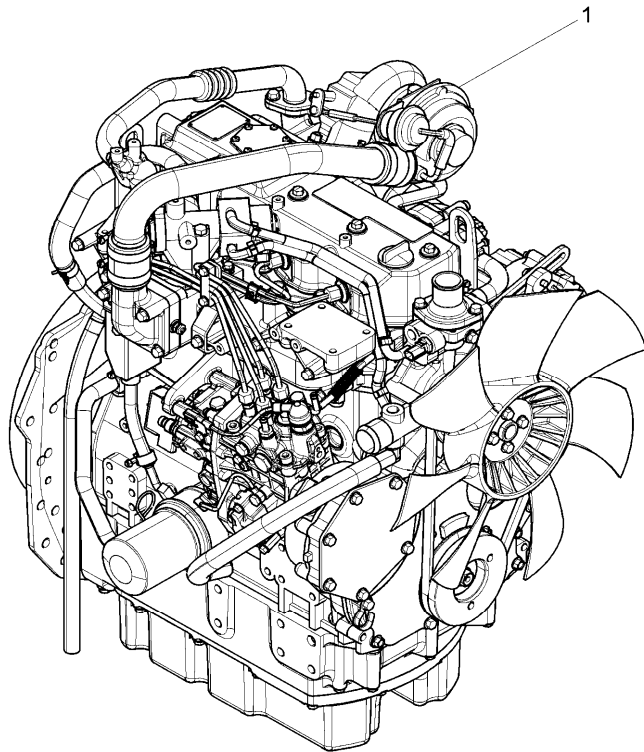
A0501

Engine assembly

Inglese

1 3693744M92 ● 3693744M94(1) 1 Engine  
57 kw

● Replacement



Engine

Cx-I tier 3 (2007-2013) - RP22 - 80

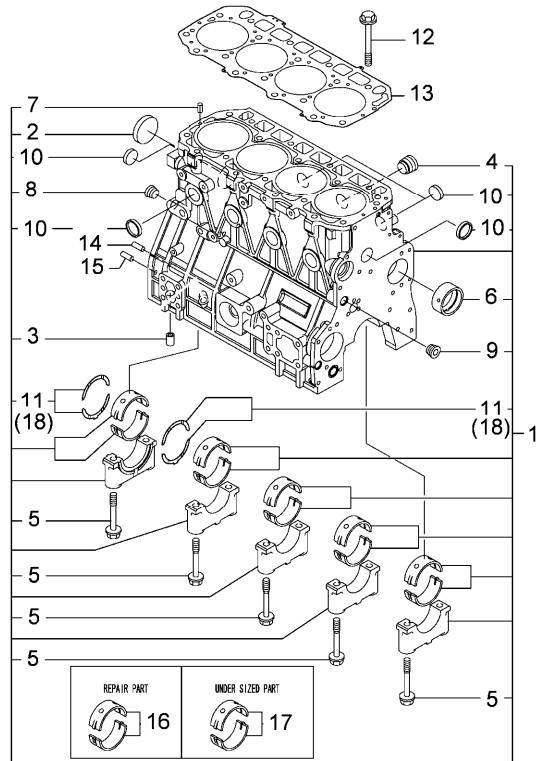
RP22\00006444.png

A-05  
02



A0502

Cylinder block



			Inglese
1	4216318M91		1 Cylinder block
2	3664567M1	! 1	1 Plug
3	3664971M1	! 1	1 Head
4	3653796M1	! 1	1 Plug
5	3664574M1	! 1	10 Bolt
6	3664576M1	! 1	1 Bush
7	3653818M1	! 1	2 Pin
8	3665018M1	! 1	1 Plug
9	3665018M1	! 1	1 Plug
10	3653889M1	! 1	8 Plug
	● 3653889M2(8)		
11	3664578M1	! 1	2 Bearing
12	3664566M1		18 Bolt
13	3679646M1		1 Gasket
14	3653378M1	! 1	2 Dowel
15	3653378M1	! 1	2 Dowel
16	4216426M1	! 1	5 Cuscinet
17	3664575M1	! 1	5 Cuscinet
	● 3664575M2(5)		
18	3664579M1	! 1	2 Cuscinet
	● 3664579M2(2)		
!	This is a component of an assembly		
●	Replacement		

Engine

Cx-I tier 3 (2007-2013) - RP22 - 80

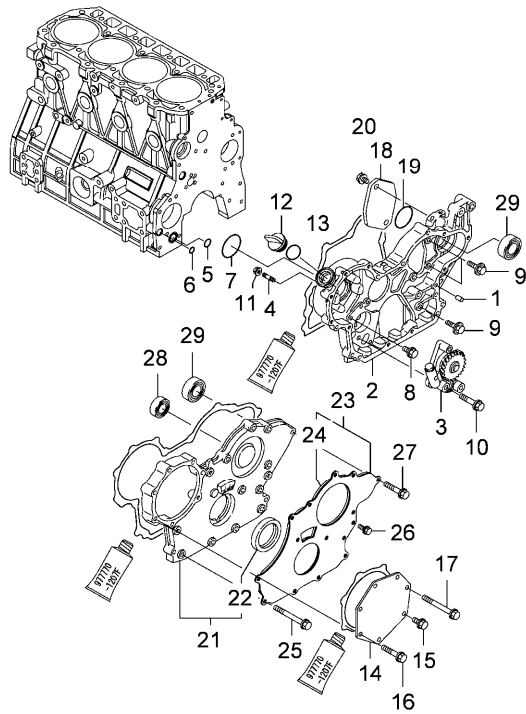
RP22\00006321.png

A-05  
03



A0503

Timing gear and camshaft



- 1 3653378M1
- 2 4217667M1
- 3 4217663M1
- 4 3666904M1
- 5 3664669M1
- 6 3664670M1
- 7 3679653M1
- 8 3653858M1
- 9 3653859M1
- 10 3653863M1
- 11 3666906M1
- 12 3653315M1
- 13 3653835M1
- 14 3664966M1
- 15 3653859M1
- 16 3653863M1
- 17 3686498M1
- 18 4216428M1
- 19 3653839M1
- 20 3679654M1
- 21 4216431M1
- 22 4216432M1
- 23 3679655M1
- 24 3679656M1

● N.L.A.(1)

77x62x11

Inglese

- 4 Dowel
- 1 Crankcase
- 1 Pump
- 4 Stud
- 1 O ring
- 1 O ring
- 1 Ring
- 1 Bolt
- 3 Bolt
- 3 Bolt
- 4 Nut
- 1 Plug
- 1 O ring
- 1 Coperch.
- 1 Bolt
- 5 Bolt
- 1 Bolt
- 1 Coperch.
- 1 O ring
- 2 Bolt
- 1 Housing
- 1 Seal
- 1 Coperch.
- 1 Rubber sponge

**<https://www.ebooklibonline.com>**

Hello dear friend!

Thank you very much for reading.

Enter the link into your browser.

The full manual is available for immediate download.

**<https://www.ebooklibonline.com>**

Engine

Cx-I tier 3 (2007-2013) - RP22 - 80

RP22\00006321.png

A-05  
03



A0503

Timing gear and camshaft

Inglese

25 3664449M1

26 3653858M1

27 3653862M1

28 3679651M1

29 3664667M1

● Replacement

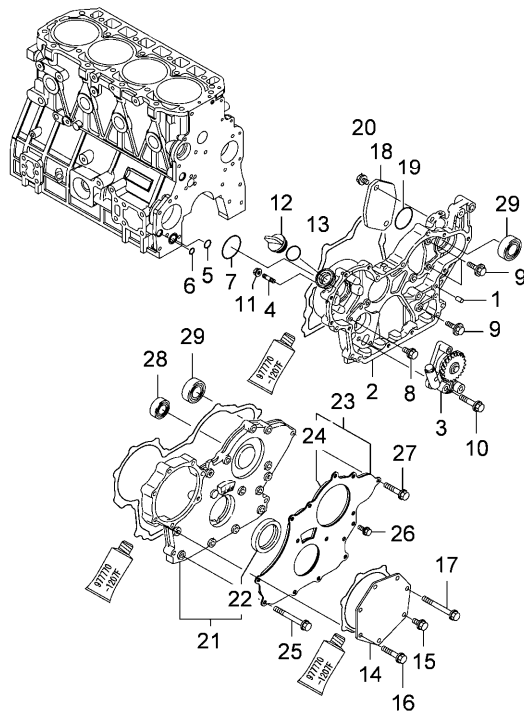
6 Bolt

3 Bolt

5 Bolt

1 Bearing roller

2 Cuscinet



Engine

Cx-I tier 3 (2007-2013) - RP22 - 80

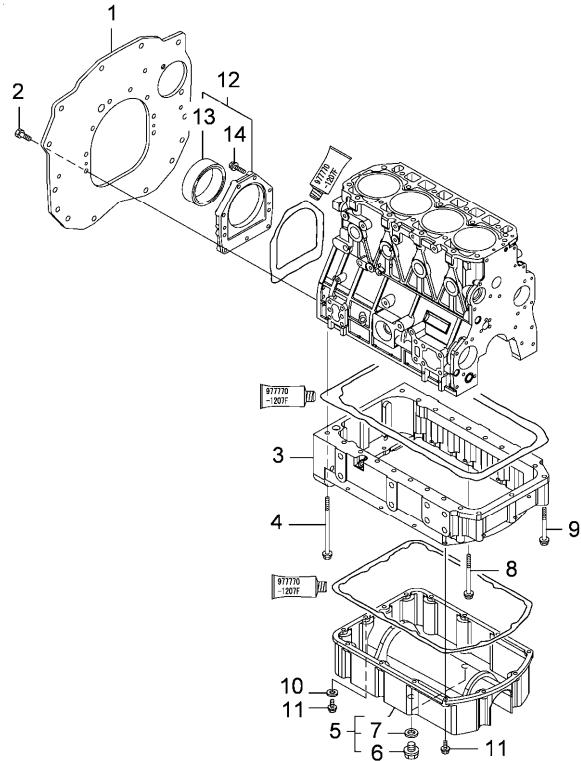
RP22\00006324.png

A-05  
04



A0504

Lubricating oil sump



- 1 4216433M1
- 2 3666901M1
- 3 4216436M1
- 4 4216437M1
- 5 4216438M1
- 6 3653253M1
- 7 3653811M1
- 8 3678291M1
- 9 3664450M1
- 10 3653808M1
- 11 3653860M1
- 12 3664969M1
- 13 3664433M1
- 14 3666895M1

● 3678291M2(16)

● Replacement

Inglese

- 1 Seal
- 9 Bolt
- 1 Crankcase
- 2 Screw
- 1 Pan
- 2 Plug
- 2 Bush
- 16 Bolt
- 3 Bolt
- 2 Washer
- 14 Bolt
- 1 Support
- 1 Seal
- 9 Bolt

Engine

Cx-I tier 3 (2007-2013) - RP22 - 80

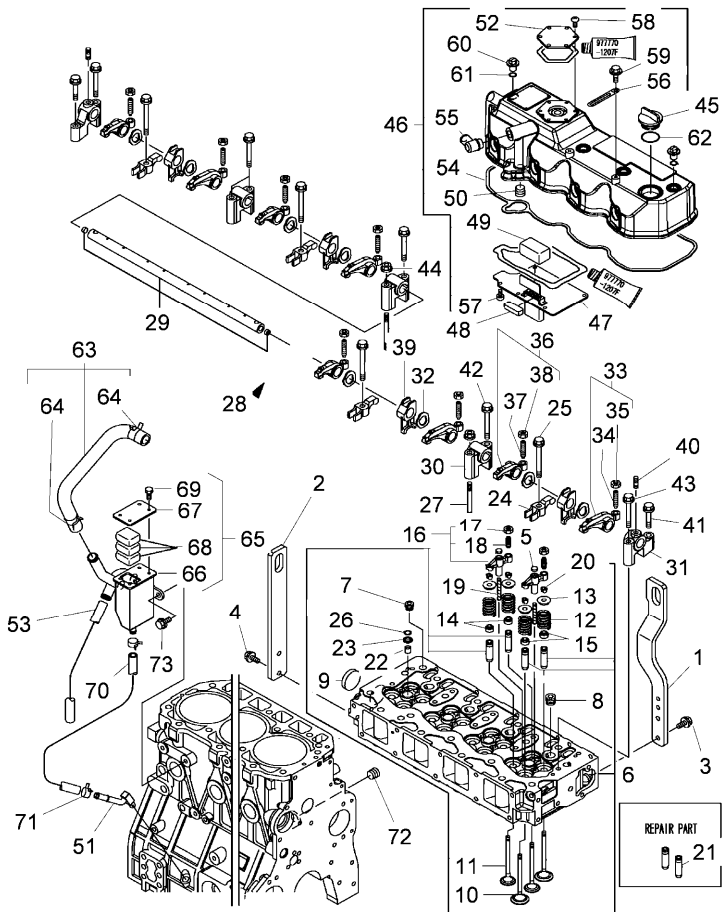
A-05  
05



A0505

Cylinder head-rocker shaft

RP22\00006445.png



- |    |           |   |   |
|----|-----------|---|---|
| 1  | 4216439M1 |   |   |
| 2  | 4216440M1 |   |   |
| 3  | 3653859M1 |   |   |
| 4  | 3653859M1 |   |   |
| 5  | 3679659M1 | ! | 6 |
| 6  | 4216456M1 |   |   |
| 7  | 3678308M1 | ! | 6 |
| 8  | 3665018M1 | ! | 6 |
| 9  | 3653890M1 | ! | 6 |
| 10 | 3679663M1 | ! | 6 |
| 11 | 3679664M1 | ! | 6 |
| 12 | 3679665M1 | ! | 6 |
| 13 | 3679666M1 | ! | 6 |
| 14 | 4216158M1 | ! | 6 |
| 15 | 3679667M1 | ! | 6 |
| 16 | 3679669M1 | ! | 6 |
| 17 | 3653444M1 | ! | 6 |
| 18 | 3678003M1 | ! | 6 |
| 19 | 3679662M1 | ! | 6 |
| 20 | 3679670M1 | ! | 6 |
| 21 | 3679661M1 |   |   |
| 22 | 3677971M1 | ! | 6 |
| 23 | 3653266M1 | ! | 6 |
| 24 | 3679681M1 |   |   |

Inglese

- |    |         |
|----|---------|
| 1  | Stirrup |
| 1  | Stirrup |
| 2  | Bolt    |
| 2  | Bolt    |
| 8  | Washer  |
| 1  | Kit     |
| 1  | Plug    |
| 4  | Plug    |
| 1  | Plug    |
| 8  | Valve   |
| 8  | Valve   |
| 16 | Spring  |
| 16 | Clip    |
| 8  | Ring    |
| 8  | Ring    |
| 8  | Kit     |
| 8  | Nut     |
| 8  | Screw   |
| 8  | Guide   |
| 16 | Dowel   |
| 16 | Guide   |
| 4  | Guard   |
| 4  | Washer  |
| 4  | Clip    |

Engine

Cx-I tier 3 (2007-2013) - RP22 - 80

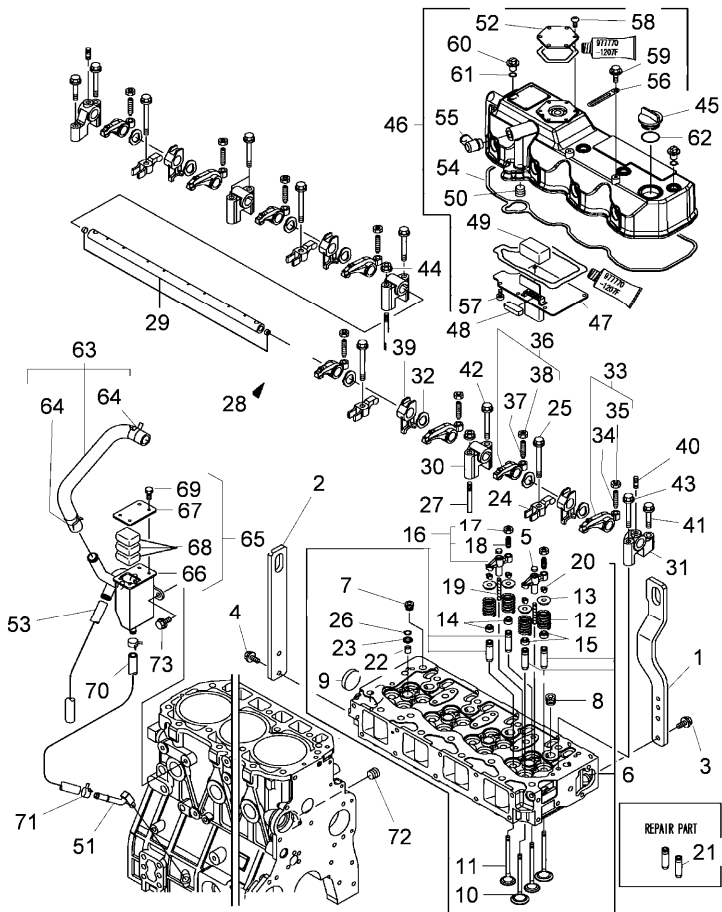
RP22\00006445.png

A-05  
05



A0505

Cylinder head-rocker shaft



- |    |           |   |    |
|----|-----------|---|----|
| 25 | 3678296M1 |   |    |
| 26 | 3653831M1 | ! | 6  |
| 27 | 3679671M1 |   |    |
| 28 | 3679672M1 |   |    |
| 29 | 3679673M1 |   |    |
| 30 | 3679674M1 |   |    |
| 31 | 3679675M1 |   |    |
| 32 | 3679676M1 |   |    |
| 33 | 3679677M1 |   |    |
| 34 | 3653439M1 | ! | 33 |
| 35 | 3653444M1 | ! | 33 |
| 36 | 3679678M1 |   |    |
| 37 | 3653439M1 | ! | 36 |
| 38 | 3653444M1 | ! | 36 |
| 39 | 3679679M1 |   |    |
| 40 | 3679680M1 |   |    |
| 41 | 3653862M1 |   |    |
| 42 | 3653866M1 |   |    |
| 43 | 3653866M1 |   |    |
| 44 | 3666905M1 |   |    |
| 45 | 3653315M1 | ! | 46 |
| 46 | 4217679M1 |   |    |
| 47 | 3679683M1 | ! | 46 |
| 48 | 3679684M1 | ! | 46 |

Inglese

- |   |          |
|---|----------|
| 4 | Bolt     |
| 4 | O ring   |
| 2 | Bolt     |
| 1 | Support  |
| 1 | Shaft    |
| 3 | Support  |
| 2 | Support  |
| 8 | Washer   |
| 4 | Arm      |
| 4 | Screw    |
| 4 | Nut      |
| 4 | Arm      |
| 4 | Screw    |
| 4 | Nut      |
| 4 | Nut      |
| 4 | Union    |
| 2 | Stud     |
| 2 | Bolt     |
| 4 | Bolt     |
| 2 | Bolt     |
| 2 | Nut      |
| 1 | Plug     |
| 1 | Coperch. |
| 1 | Plate    |
| 1 | Spacer   |

Engine

Cx-I tier 3 (2007-2013) - RP22 - 80

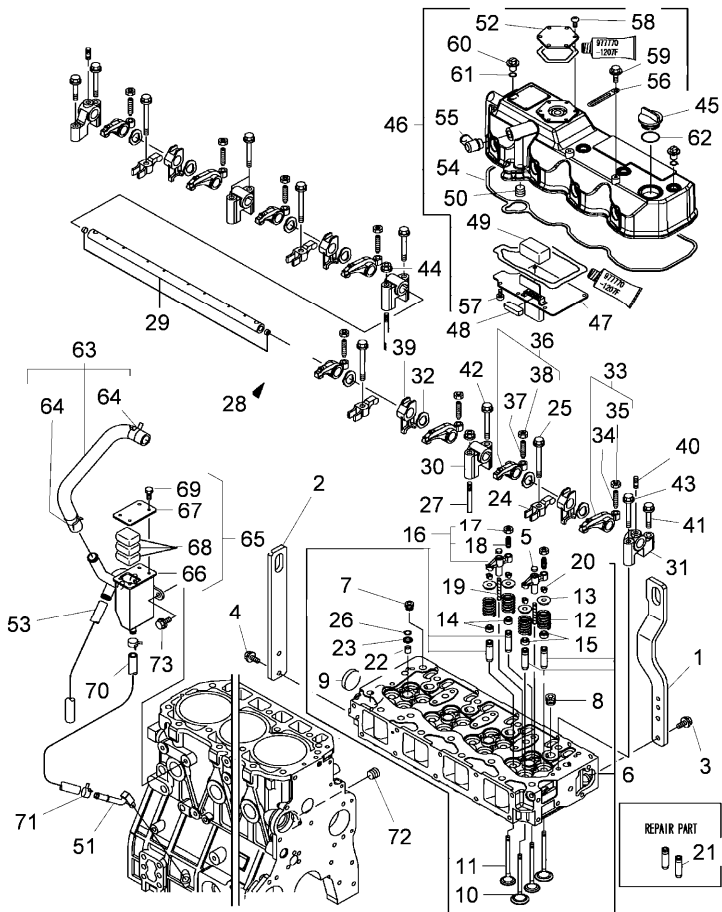
A-05  
05



A0505

Cylinder head-rocker shaft

RP22\00006445.png



49	3679685M1	!	46
50	3665018M1	!	46
51	4217675M1		
52	4217658M1	!	46
53	4217702M1		
54	4216472M1	!	46
55	3664374M1	!	46
56	4217661M1	!	46
57	3665010M1	!	46
58	4217699M1	!	46
59	3679848M1	!	46
60	3653317M1	!	46
61	3653831M1	!	46
62	3653835M1	!	46
63	4217678M1		
64	3680216M1	!	63
65	4217668M1		
66	4217669M1	!	65
67	4217670M1	!	65
68	4217643M1	!	65
69	4217707M1	!	65
70	4217676M1		
71	4217700M1		
72	3665018M1		

Inglese

1	Spacer
1	Plug
1	Universal joint
1	Nameplate
1	Pipe
1	Gasket
1	Universal joint
1	Clip
6	Screw
6	Screw
2	Bolt
4	Plug
4	O ring
1	O ring
1	Pipe
2	Clamp
1	Separator
1	Separator
1	Coperch.
3	Damper
4	Bolt
1	Pipe
2	Clamp
1	Plug

Engine

Cx-I tier 3 (2007-2013) - RP22 - 80

RP22\00006445.png

A-05  
05



A0505

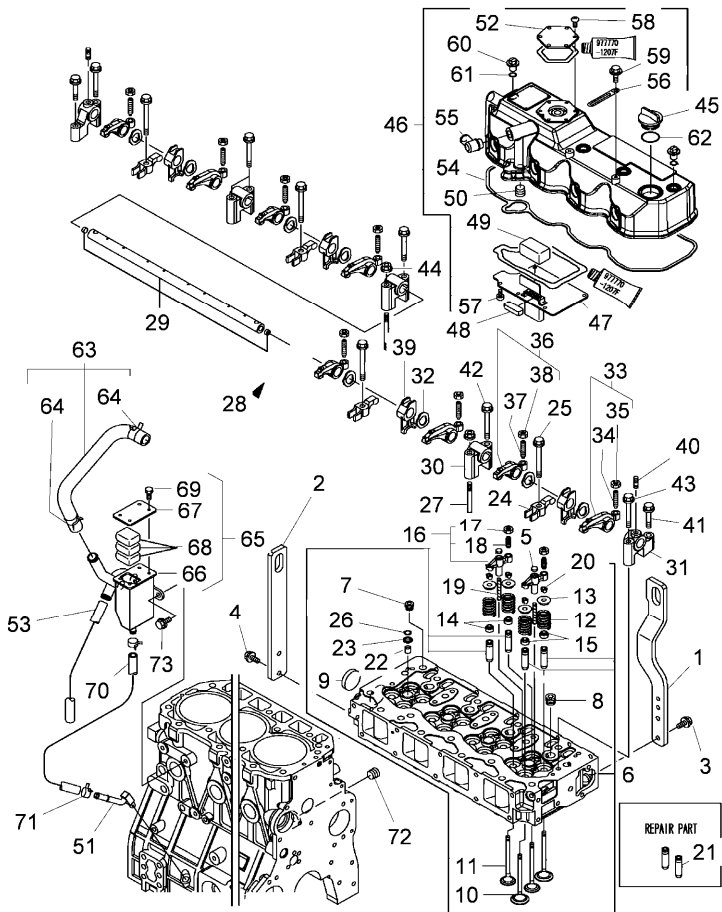
Cylinder head-rocker shaft

Inglese

73 3653857M1

2 Bolt

! This is a component of an assembly



Engine

Cx-I tier 3 (2007-2013) - RP22 - 80

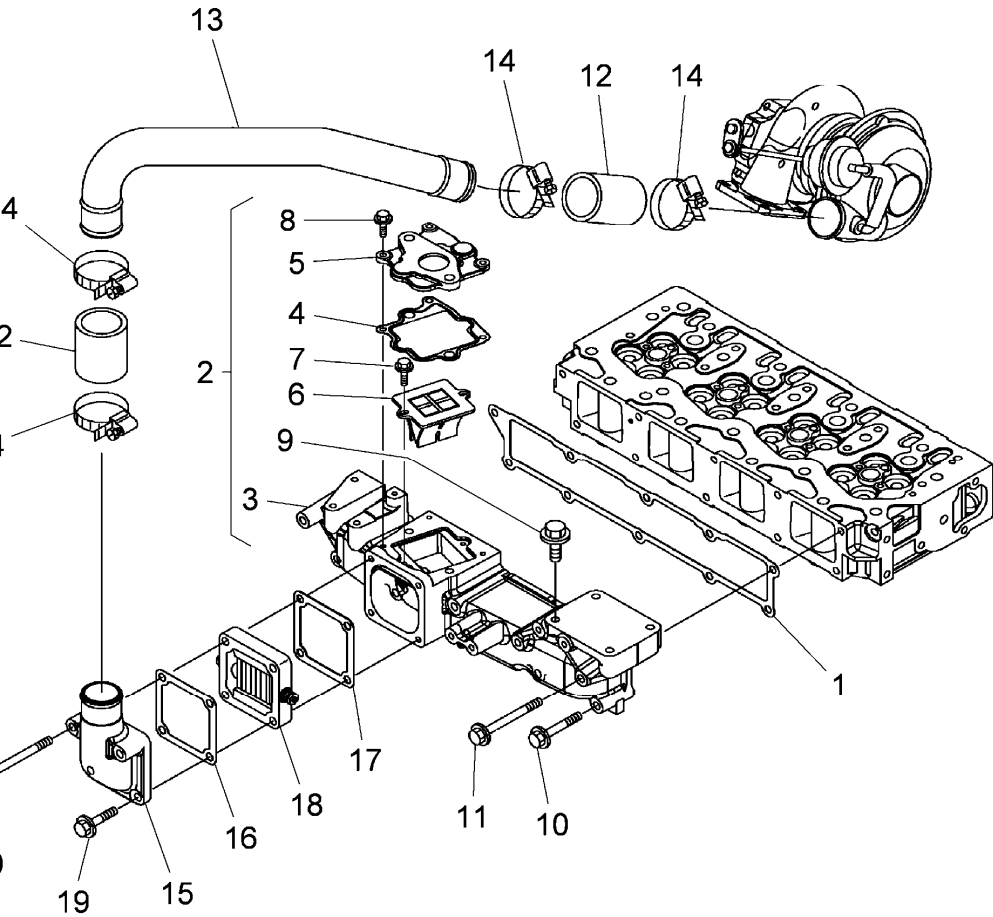
A-05  
06



A0506

Induction manifold

RP22\00006449.png



- 1 3679693M1
- 2 4217682M1
- 3 4217680M1 ! 2
- 4 4217681M1 ! 2
- 5 4217683M1 ! 2
- 6 4217665M1 ! 2
- 7 3653852M1 ! 2
- 8 3666892M1 ! 2
- 9 4217704M1 ! 2
- 10 3653865M1
- 11 3679984M1
- 12 4217659M1
- 13 4217690M1
- 14 4217701M1
- 15 4217684M1
- 16 3664375M1
- 17 3664403M1
- 18 4216459M1
- 19 3653862M1
- 20 4217703M1

Inglese

- 1 Gasket
- 1 Manifold
- 1 Manifold
- 1 Gasket
- 1 Spacer
- 1 Valve
- 2 Screw
- 3 Screw
- 1 Bolt
- 5 Bolt
- 5 Bolt
- 2 Manicott
- 1 Pipe
- 4 Clamp
- 1 Manifold
- 1 Gasket
- 1 Gasket
- 1 Heater
- 2 Bolt
- 2 Bolt

! This is a component of an assembly

Engine

Cx-I tier 3 (2007-2013) - RP22 - 80

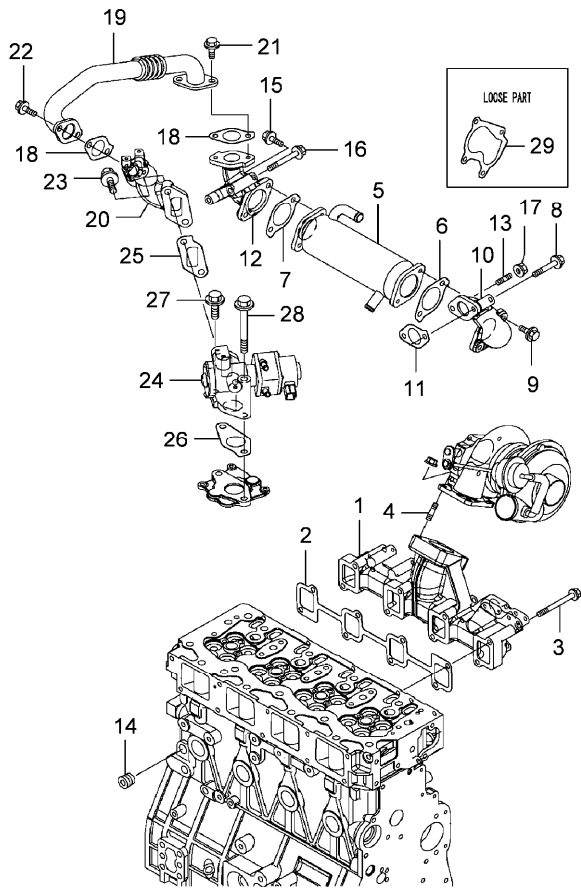
RP22\00006450.png

A-05  
07



A0507

Exhaust manifold



- 1 4217685M1
- 2 3664598M1
- 3 3679695M1
- 4 3693926M1
- 5 4217686M1
- 6 4217664M1
- 7 4217664M1
- 8 4217641M1
- 9 4217642M1
- 10 4217687M1
- 11 4216471M1
- 12 4217688M1
- 13 3693926M1
- 14 3665018M1
- 15 3679863M1
- 16 3653867M1
- 17 3666905M1
- 18 4216471M1
- 19 4217689M1
- 20 4216617M1
- 21 3653858M1
- 22 3653858M1
- 23 4216619M1
- 24 4216620M1

Inglese

- 1 Manifold
- 1 Gasket
- 8 Bolt
- 4 Stud
- 1 Manifold
- 1 Gasket
- 1 Gasket
- 1 Bolt
- 2 Bolt
- 1 Manifold
- 1 Gasket
- 1 Manifold
- 1 Stud
- 1 Plug
- 2 Bolt
- 2 Bolt
- 1 Nut
- 2 Gasket
- 1 Pipe
- 1 Duct
- 2 Bolt
- 2 Bolt
- 2 Screw
- 1 Valve

Engine

Cx-I tier 3 (2007-2013) - RP22 - 80

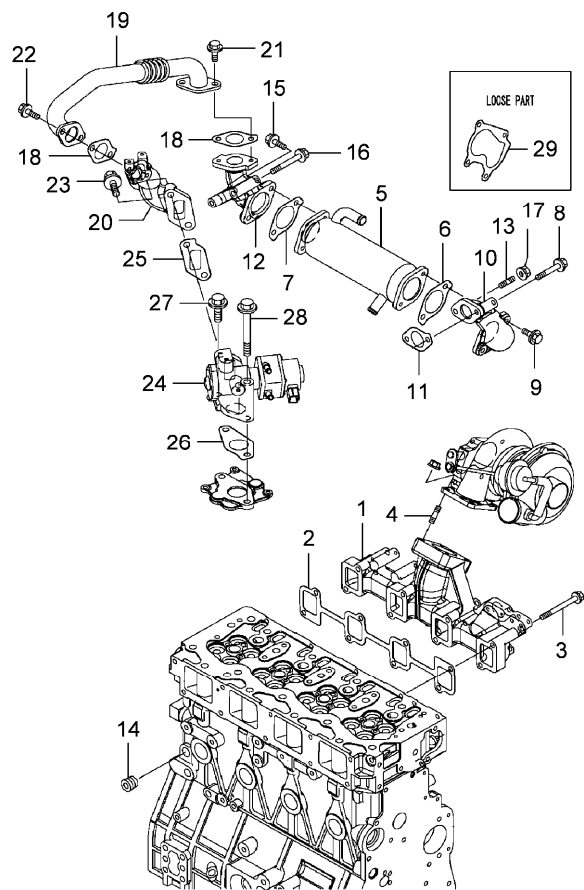
A-05  
07



A0507

Exhaust manifold

RP22\00006450.png



- 25 4216621M1
- 26 4216622M1
- 27 4217705M1
- 28 4217706M1
- 29 4217644M1

Inglese

- 1 Gasket
- 1 Gasket
- 1 Bolt
- 1 Bolt
- 1 Gasket

Engine

Cx-I tier 3 (2007-2013) - RP22 - 80

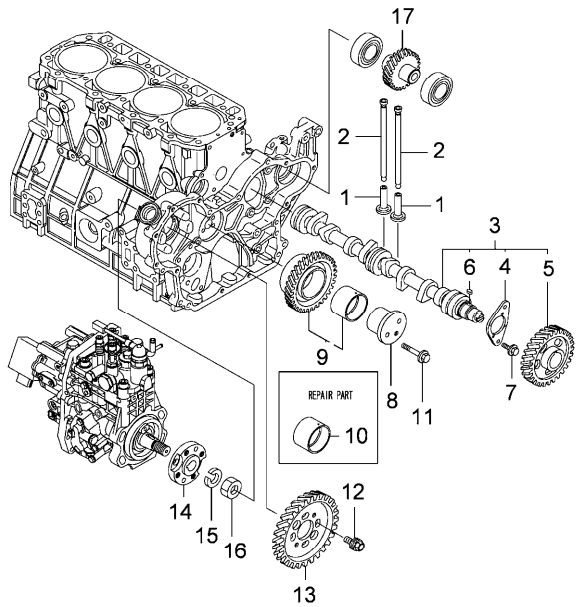
RP22\00006333.png

**A-05  
08**



A0508

Camshaft



- |    |            |   |          |
|----|------------|---|----------|
| 1  | 3653447M1  |   |          |
| 2  | 3679697M1  |   |          |
| 3  | 4216626M91 |   |          |
| 4  | 3653430M1  | ! | 3        |
| 5  | 4216627M1  | ! | 3        |
| 6  | 3653820M1  | ! | 3        |
| 7  | 3653858M1  | ! | 3        |
| 8  | 3679699M1  |   | 1 Shaft  |
| 9  | 4216628M1  |   | 1 Gear   |
| 10 | 3653454M1  |   | 1 Bush   |
| 11 | 3653865M1  |   | 3 Bolt   |
| 12 | 3679820M1  |   | 4 Bolt   |
| 13 | 4216629M1  |   | 1 Gear   |
| 14 | 3679822M1  |   | 1 Flange |
| 15 | 3679823M1  |   | 1 Spring |
| 16 | 3679824M1  |   | 1 Nut    |
| 17 | 4216630M1  |   | 1 Gear   |
- ! This is a component of an assembly

**Inglese**

- 8 Tappet
- 8 Rod
- 1 Shaft
- 1 Plate
- 1 Gear
- 1 Key
- 2 Bolt
- 1 Shaft
- 1 Gear
- 1 Bush
- 3 Bolt
- 4 Bolt
- 1 Gear
- 1 Flange
- 1 Spring
- 1 Nut
- 1 Gear

Engine

Cx-I tier 3 (2007-2013) - RP22 - 80

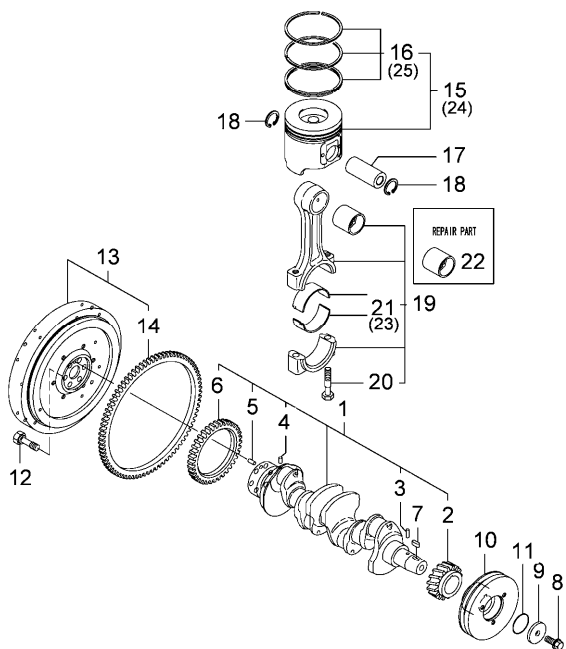
RP22\00006334.png

**A-05  
09**



A0509

Crankshaft, pistons and connecting rods



			Inglese
1	4216749M91		1 Gear
2	3664656M1	! 1	1 Gear
3	3653308M1	! 1	1 Dowel
4	3653308M1	! 1	1 Dowel
5	3664396M1	! 1	1 Pin
6	3664982M1	! 1	1 Gear
7	3653820M1	! 1	1 Key
8	4216750M1		1 Screw
9	3664993M1		1 Washer
10	4216751M1		1 Pulley
11	3666890M1		1 O ring
12	3664395M1		6 Bolt
13	4216753M91		1 Flywheel
14	3664657M1	! 13	1 Gear
15	4217666M1		4 Piston
16	4216755M1	! 15	4 Ring
17	3664388M1		4 Pin
18	3665007M1		8 Ring
19	4216756M91		4 Conrod
20	3664660M1	! 19	8 Bolt
21	4216757M1	! 19	4 Bearing
	3664661M2(4)		
22	3664663M2	! 19	4 Bush
23	3664662M1	! 19	4 Cuscinet

Engine

Cx-I tier 3 (2007-2013) - RP22 - 80

RP22\00006334.png

**A-05  
09**



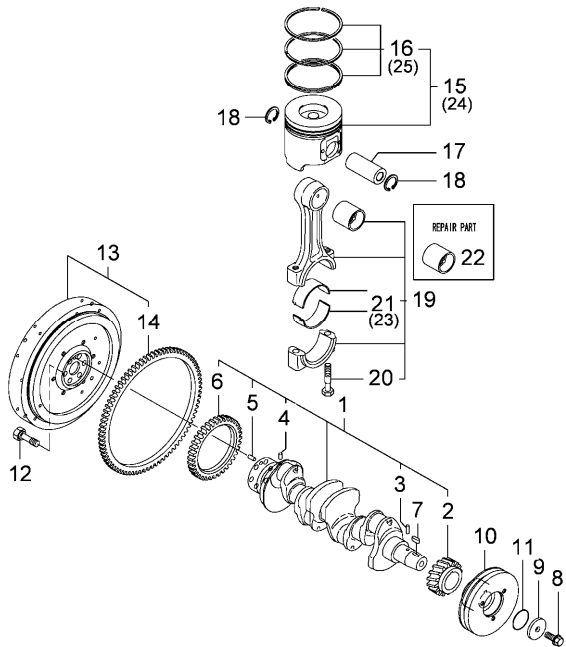
A0509

Crankshaft, pistons and connecting rods

**Inglese**

24	4217708M1	+0.25mm	4	Piston
25	4216791M91	! 24 +0.25mm	4	Kit

- ! This is a component of an assembly
- Replacement



Engine

Cx-I tier 3 (2007-2013) - RP22 - 80

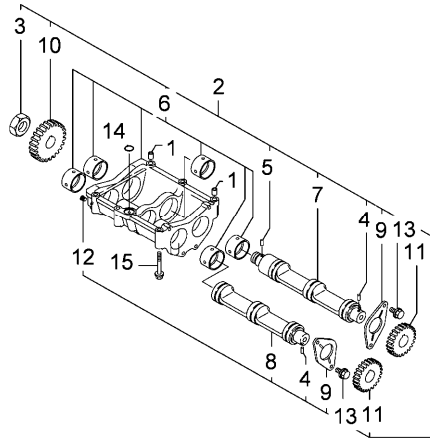
RP22\00006335.png

A-05  
10



A0510

Rocker



- 1 3653790M1 ! 2
- 2 3679839M1
- 3 3664444M1 ! 2
- 4 3653308M1 ! 2
- 5 3653308M1 ! 2
- 6 3679832M1 ! 2
- 7 3664978M1 ! 2
- 8 3664979M1 ! 2
- 9 3664980M1 ! 2
- 10 3664983M1 ! 2
- 11 3664984M1 ! 2
- 12 3653827M1 ! 2
- 13 3653858M1 ! 2
- 14 3665020M1 ! 2
- 15 3653866M1 ! 2

Inglese

- 2 Bush
- 1 Balancer
- 1 Nut
- 2 Dowel
- 1 Dowel
- 1 Box
- 1 Shaft
- 1 Shaft
- 2 Cuscinet
- 1 Gear
- 2 Gear
- 1 Plug
- 4 Bolt
- 1 O ring
- 6 Bolt

! This is a component of an assembly

Engine

Cx-I tier 3 (2007-2013) - RP22 - 80

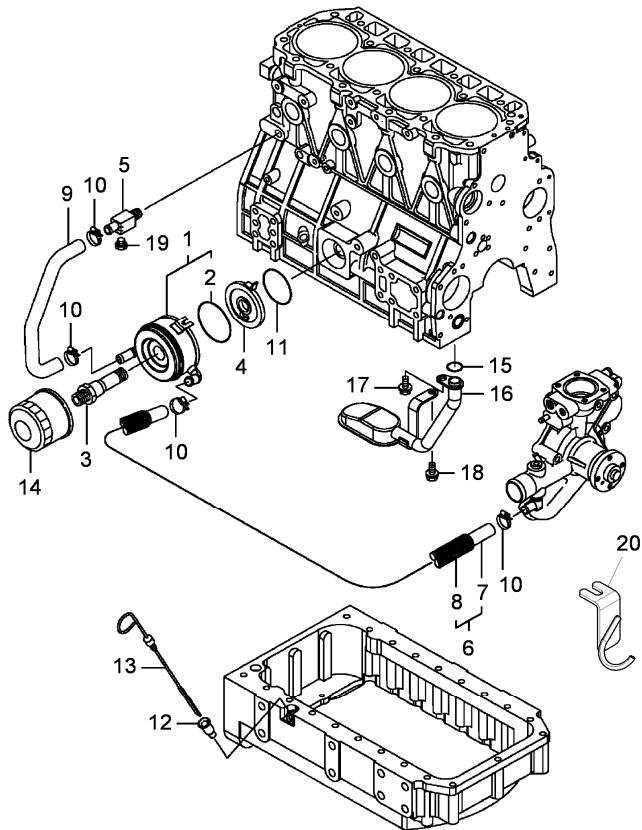
RP22\00006452.png

**A-05**  
**11**



A0511

Lubricating oil pump and delivery housing



- |    |            |   |              |
|----|------------|---|--------------|
| 1  | 3679835M1  |   |              |
| 2  | 4216793M1  | ! | 1            |
| 3  | 3679836M1  |   |              |
| 4  | 4216794M1  |   |              |
| 5  | 3678027M1  |   |              |
| 6  | 4216752M91 |   |              |
| 7  | 4216758M1  |   |              |
| 8  | 4216859M1  |   |              |
| 9  | 3679838M1  |   |              |
| 10 | 3678302M1  |   |              |
| 11 | 3679831M1  |   |              |
| 12 | 3664386M1  |   |              |
| 13 | 4216860M1  |   |              |
| 14 | 4216048M1  | ● | 3678034M2(1) |
| 15 | 3664669M1  |   |              |
| 16 | 4216861M91 |   |              |
| 17 | 3653857M1  |   |              |
| 18 | 3653859M1  |   |              |
| 19 | 3653797M1  |   |              |
| 20 | 4213510M91 |   |              |
- ! This is a component of an assembly  
● Replacement

**Inglese**

- 1 Exchanger
- 1 Ring
- 1 Bolt
- 1 Stirrup
- 1 Union
- 1 Tube assy
- 1 Coupler
- 1 Coupler
- 1 Pipe
- 4 Clamp
- 1 Ring
- 1 Guide
- 1 Rod
- 1 Filter
- 1 O ring
- 1 Pipe
- 1 Bolt
- 1 Bolt
- 1 Plug
- 1 Stirrup

Engine

Cx-I tier 3 (2007-2013) - RP22 - 80

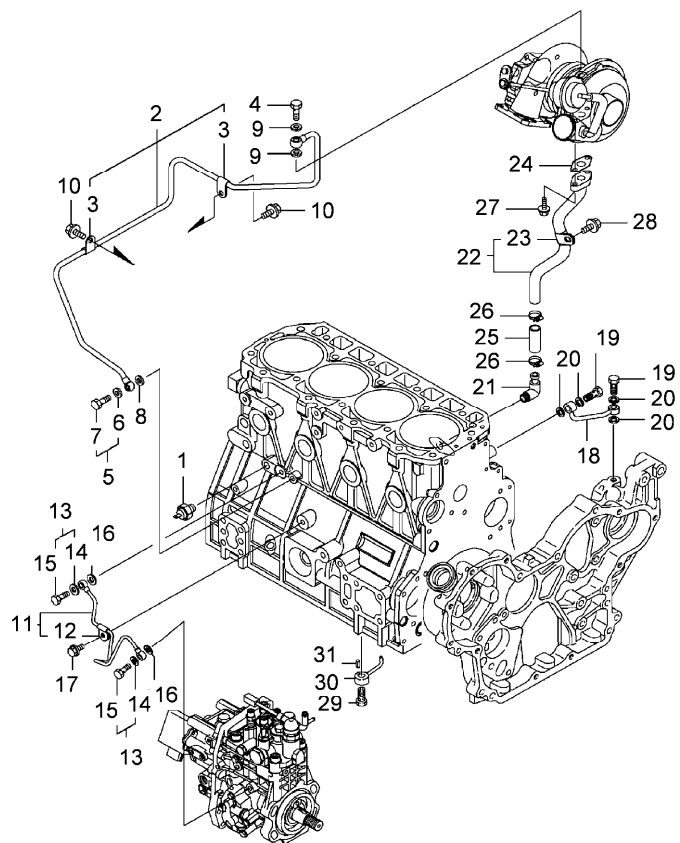
**A-05  
115**



A05115

Lubricating oil pump and delivery housing

RP22\00006453.png



- |    |            |   |    |
|----|------------|---|----|
| 1  | 4216862M1  |   |    |
| 2  | 4217738M1  |   |    |
| 3  | 4217733M1  | ! | 2  |
| 4  | 3677989M1  |   |    |
| 5  | 3678024M1  |   |    |
| 6  | 3653808M1  | ! | 5  |
| 7  | 3665013M1  | ! | 5  |
| 8  | 3653808M1  |   |    |
| 9  | 3653823M1  |   |    |
| 10 | 3653856M1  |   |    |
| 11 | 4216863M91 |   |    |
| 12 | 3679834M1  | ! | 11 |
| 13 | 3678024M1  |   |    |
| 14 | 3653808M1  | ! | 13 |
| 15 | 3665013M1  | ! | 13 |
| 16 | 3653808M1  |   |    |
| 17 | 3653856M1  |   |    |
| 18 | 3664963M1  |   |    |
| 19 | 3664364M1  |   |    |
| 20 | 3653808M1  |   |    |
| 21 | 3678008M1  |   |    |
| 22 | 4217739M1  |   |    |
| 23 | 4217732M1  | ! | 22 |
| 24 | 4217735M1  |   |    |

**Inglese**

- |   |                 |
|---|-----------------|
| 1 | Switch,indirect |
| 1 | Pipe            |
| 2 | Retainer        |
| 1 | Bolt            |
| 1 | Bolt            |
| 1 | Washer          |
| 1 | Bolt            |
| 1 | Washer          |
| 2 | Gasket          |
| 2 | Bolt            |
| 1 | Tube assy       |
| 1 | Support         |
| 2 | Bolt            |
| 2 | Washer          |
| 2 | Bolt            |
| 2 | Washer          |
| 1 | Bolt            |
| 1 | Pipe            |
| 2 | Bolt            |
| 4 | Washer          |
| 1 | Elbow           |
| 1 | Pipe            |
| 1 | Retainer        |
| 1 | Gasket          |

Engine

Cx-I tier 3 (2007-2013) - RP22 - 80

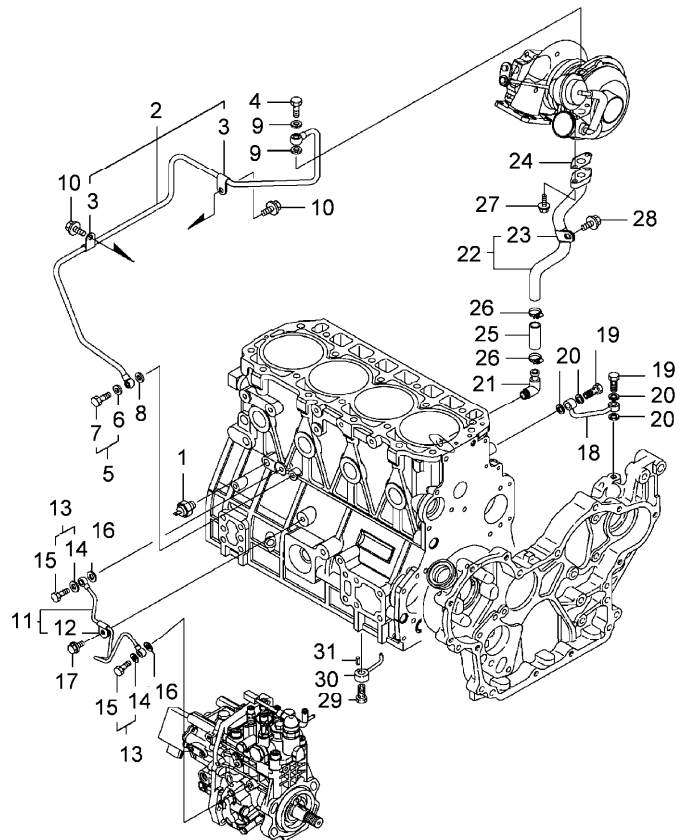
A-05  
115



A05115

Lubricating oil pump and delivery housing

RP22\00006453.png



Inglese

- 25 4217759M1
  - 26 3678302M1
  - 27 3653853M1
  - 28 3653856M1
  - 29 4217734M1
  - 30 4217730M1
  - 31 3678301M1
- 1 Pipe
  - 2 Clamp
  - 2 Bolt
  - 1 Bolt
  - 4 Valve
  - 4 Nozzle
  - 4 Spring

! This is a component of an assembly

Engine

A-05  
12

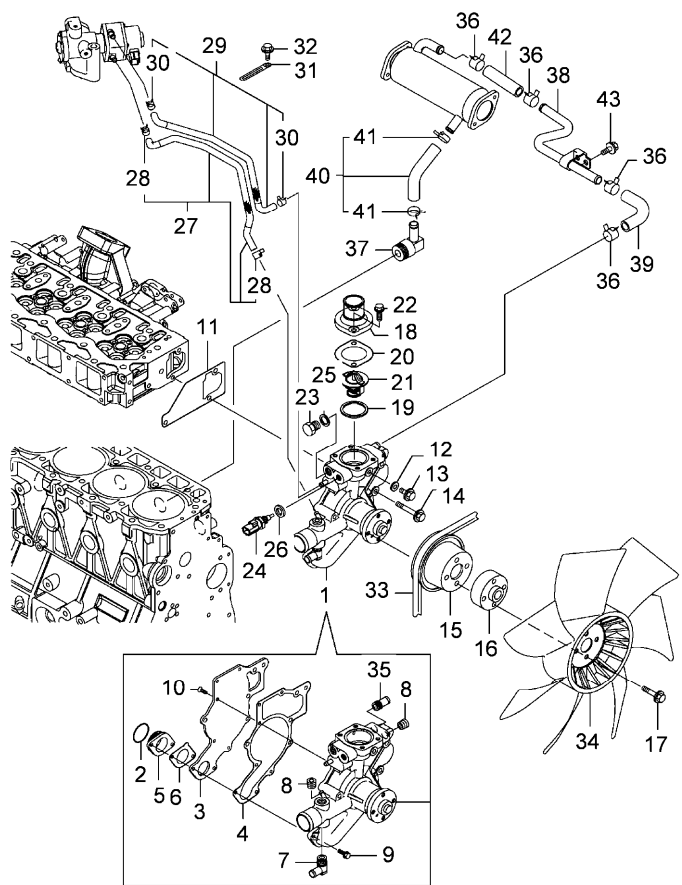
Water pump and thermostat

Cx-I tier 3 (2007-2013) - RP22 - 80



A0512

RP22\00006454.png



		Inglese		
1	4217740M1	●	4217740M2(1)	1 Pump
2	4216865M1	!	1	1 Ring
3	4216866M1	!	1	1 Coperch.
4	4216867M1	!	1	1 Gasket
5	4216868M1	!	1	1 Flange
6	4216869M1	!	1	1 Flange
7	4216870M1	!	1	1 Filler
8	3678297M1	!	1	3 Plug
9	3653854M1	!	1	2 Bolt
10	4216871M1	!	1	6 Screw
11	4216872M1			1 Gasket
12	3653822M1			1 Gasket
13	3653856M1			1 Bolt
14	3653865M1			3 Bolt
15	4216873M1			1 Pulley
16	4216874M1			1 Hub
17	3653862M1			4 Bolt
18	4216875M1			1 Cover
19	3664399M1			1 Gasket
20	4216880M1			1 Gasket
21	3664400M1			1 Thermostat
22	3653860M1			2 Bolt
23	4216881M1			1 Plug
24	4216882M1			1 Bulb

Engine

Cx-I tier 3 (2007-2013) - RP22 - 80

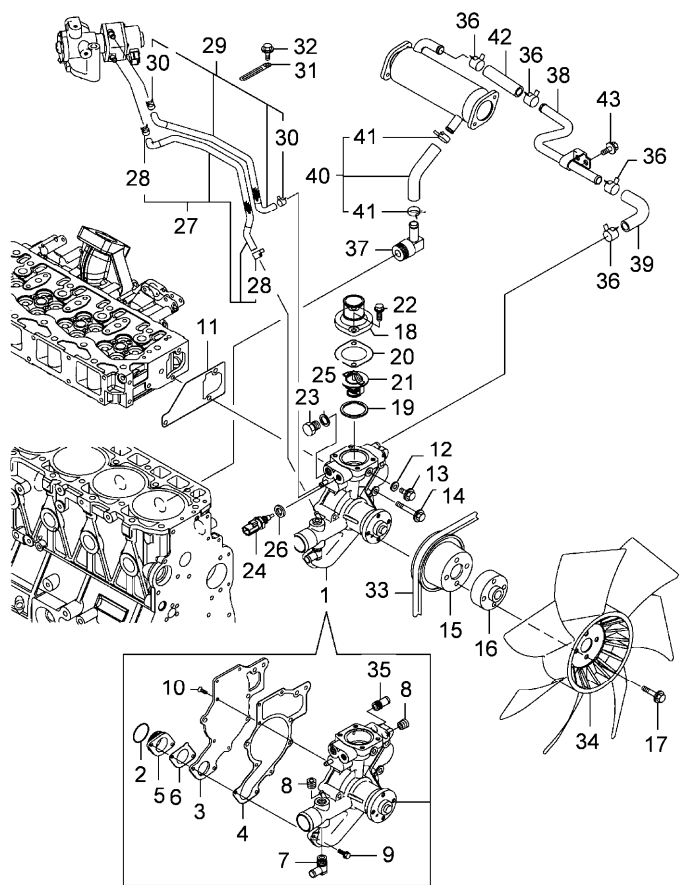
A-05  
12



A0512

Water pump and thermostat

RP22\00006454.png



- 25 3653324M1
- 26 3653810M1
- 27 4216885M91
- 28 4216886M1 ! 27
- 29 4216887M91
- 30 4216886M1 ! 29
- 31 4216457M1
- 32 3679848M1
- 33 4216890M1
- 34 4216891M1
- 35 4217731M1
- 36 4217737M1
- 37 4217753M1
- 38 4217754M1
- 39 4217755M1
- 40 4217756M1
- 41 4217737M1 ! 40
- 42 4217757M1
- 43 3653856M1

Inglese

- 1 Gasket
- 1 Washer
- 1 Pipe
- 2 Clamp
- 1 Pipe
- 2 Clamp
- 1 Clamp
- 1 Bolt
- 1 Belt
- 1 Fan
- 1 Universal joint
- 4 Retainer
- 1 Elbow
- 1 Pipe
- 1 Pipe
- 1 Sleeve
- 2 Retainer
- 1 Pipe
- 2 Bolt

! This is a component of an assembly  
 Replacement

Engine

Cx-I tier 3 (2007-2013) - RP22 - 80

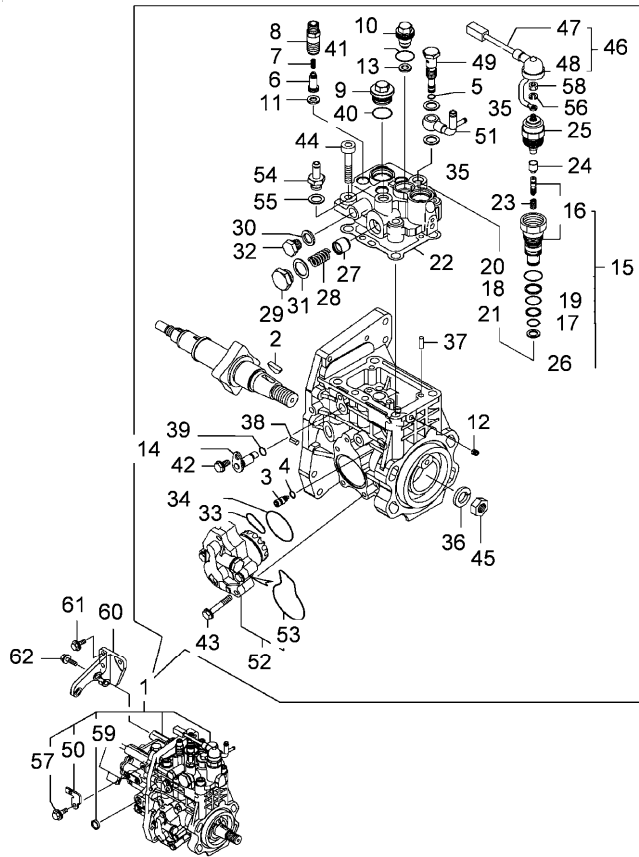
RP22\00006338.png

A-05  
13



A0513

Injection pump assy



		Inglese
1	4217761M1	1 Pump
2	4216893M1	! 1 Key
3	4216894M1	! 1 Switch
	● 4215971M1(1)	
4	3679822M1	! 1 Flange
5	3679822M1	! 1 Flange
6	4216895M1	! 1 Valve
7	4216896M1	! 1 Spring
	● 4215979M1(4)	
8	4216274M1	! 1 Body
9	4216898M1	! 1 Plug
	● 4215989M1(1)	
10	4216899M1	! 1 Plug
11	4216900M1	! 1 Washer
	● 4218274M1(1)	
12	4216901M1	! 1 Plug
	● 4215993M1(1)	
13	4216902M1	! 1 Washer
14	4216903M1	! 1 Lever
	● 4215997M1(1)	
15	4216904M91	! 1 Kit
16	4216905M91	! 15 Hourmeter
17	4216929M1	! 15 O ring
	● 4216012M1(1)	

Engine

Cx-I tier 3 (2007-2013) - RP22 - 80

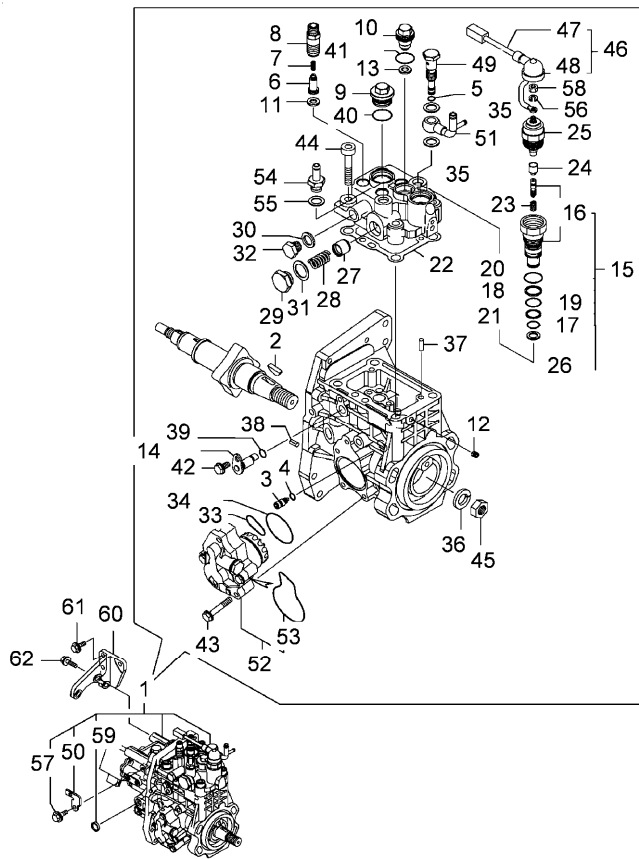
RP22\00006338.png

A-05  
13



A0513

Injection pump assy



				Inglese
18	4216930M1	!	15	1 Washer
19	4216952M1	●	4216016M1(1)	1 O ring
20	4216923M1	!	15	1 Ring
21	4216910M1	●	4216020M1(1)	1 Ring
22	4216911M1	!	15	1 Ring
23	4216912M1	●	4216025M1(1)	1 Gasket
24	4216913M1	!	1	1 Spring
25	4216914M1	!	1	1 Cover
26	4208763M1	!	1	1 Solenoid
27	4216915M1	!	1	1 Gasket
28	4216916M1	!	1	1 Piston
29	4216917M1	●	4216093M1(1)	1 Spring
30	3653810M1	!	1	1 Spring
31	4208895M1	●	4216094M1(1)	1 Plug
32	4216918M1	!	1	1 Plug
33	4216919M1	●	4216095M1(1)	1 Washer
		!	1	1 Gasket
		●	4216097M1(1)	1 Plug
		!	1	1 O ring
		●	4216080M1(1)	

Engine

Cx-I tier 3 (2007-2013) - RP22 - 80

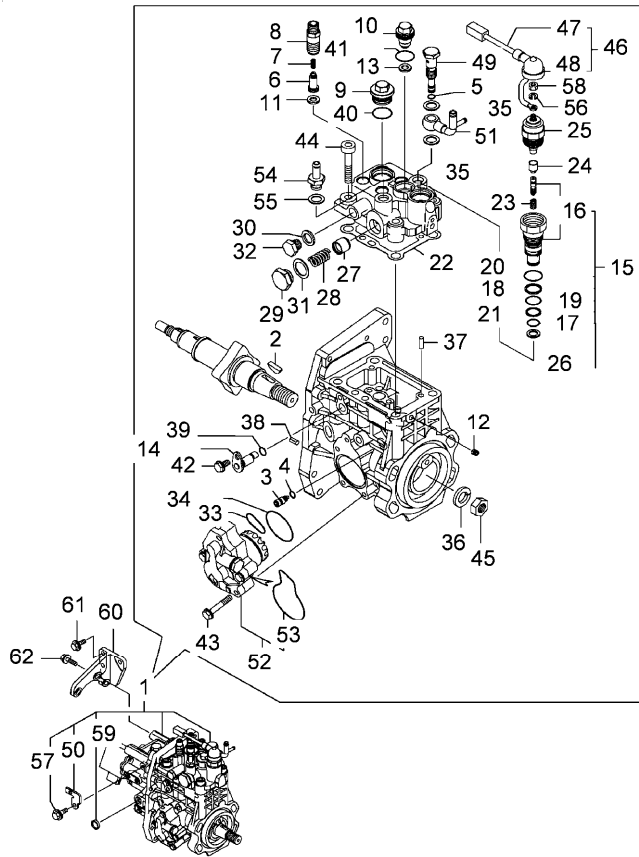
RP22\00006338.png

A-05  
13



A0513

Injection pump assy



				Inglese
34	4216920M1	!	1	1 O ring
		●	4216278M1(1)	
35	3653810M1	!	1	2 Washer
36	3679823M1	!	1	1 Spring
37	4216922M1	!	1	2 Pin
38	3653817M1	!	1	2 Dowel
39	3665019M1	!	1	1 O ring
40	4216923M1	!	1	1 Ring
		●	4216020M1(1)	
41	4216924M1	!	1	1 Ring
42	3653851M1	!	1	1 Bolt
43	3680228M1	!	1	4 Bolt
44	4216925M1	!	1	4 Screw
45	3679824M1	!	1	1 Nut
46	4216926M91	!	1	1 Harness
47	4216927M91	!	1	1 Harness
		●	4216926M91(1)	
48	4216928M1	!	1	1 Cotter
49	4208761M1	!	1	1 Gasket
50	4216954M1			1 Stirrup
51	4216955M1	!	1	1 Eye
		●	4215966M1(1)	
52	4216989M91	!	1	1 Pump
		●	4216078M91(1)	

Engine

Cx-I tier 3 (2007-2013) - RP22 - 80

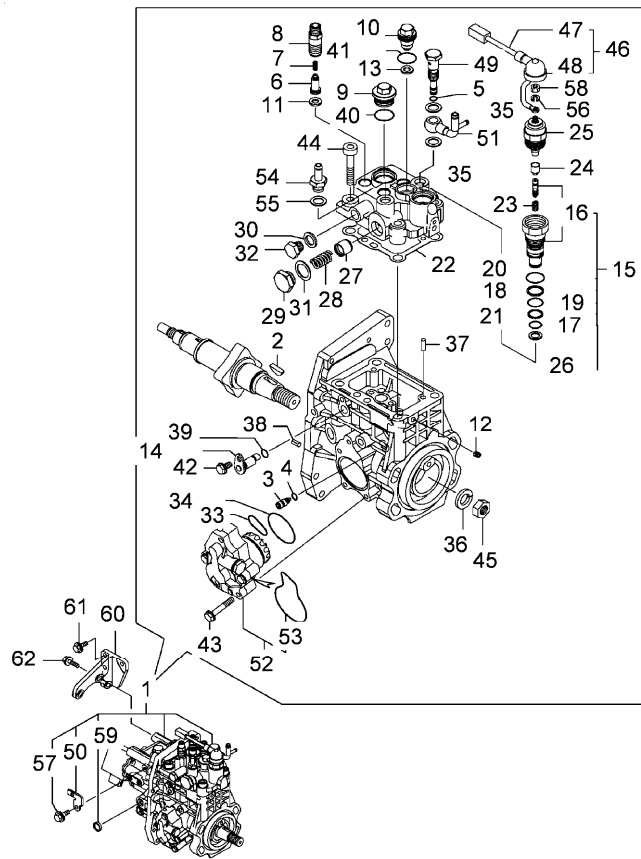
A-05  
13



A0513

Injection pump assy

RP22\00006338.png



		Inglese		
53	4216966M1	!	52	1 Ring
		●	4216079M1(1)	
54	4216967M1	!	1	1 Coupler
		●	4216098M1(1)	
55	3653810M1	!	1	1 Washer
56	3653812M1	!	1	1 Spring
57	3679848M1			1 Bolt
58	4216973M1	!	1	1 Nut
59	4216974M1			1 Plug
60	4216975M1			1 Stirrup
61	3653859M1			3 Bolt
62	3666895M1			3 Bolt
		!	This is a component of an assembly	
		●	Replacement	



**Suggest:**

**For more complete manuals. Please go to the home page.**

**<https://www.ebooklibonline.com>**

**If the above button click is invalid. Please download this document first, and then click the above link to download the complete manual.**

**Thank you so much for reading**

Engine

Cx-I tier 3 (2007-2013) - RP22 - 80

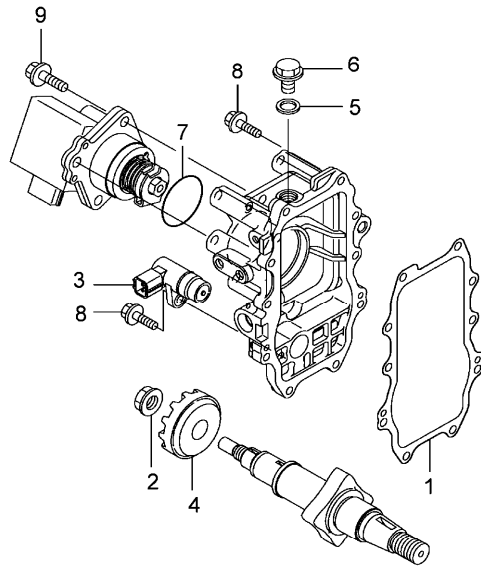
RP22\00006340.png

A-05  
14



A0514

Fuel cut off



- |   |                          | Inglese   |
|---|--------------------------|-----------|
| 1 | 4216977M1                | 1 Gasket  |
| 2 | 4216978M1                | 1 Nut     |
| 3 | 4216979M1 A              | 1 Sensor  |
| 4 | 4216980M1                | 1 Ferrule |
| 5 | 3653824M1                | 1 Gasket  |
| 6 | 4216981M1 ● 4216097M1(1) | 1 Plug    |
| 7 | 4216982M1                | 1 O ring  |
| 8 | 3681395M1                | 10 Bolt   |
| 9 | 3653860M1                | 3 Bolt    |
| ● | Replacement              |           |
| A | Motor speed              |           |

Engine

Cx-I tier 3 (2007-2013) - RP22 - 80

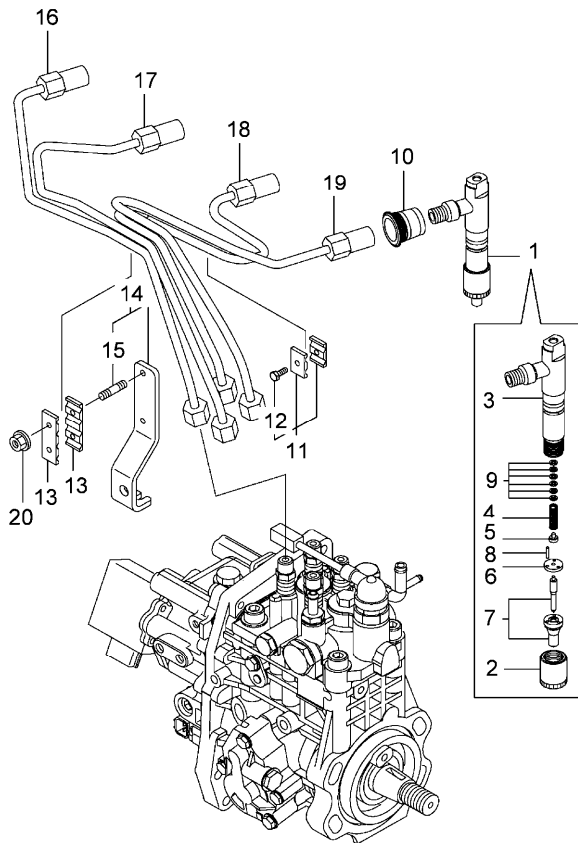
RP22\00006341.png

A-05  
15



A0515

Fuel injection valve



- |    |            |   |              |
|----|------------|---|--------------|
| 1  | 4217760M1  |   |              |
| 2  | 3653255M1  | ! | 1            |
| 3  | 3679867M1  | ! | 1            |
| 4  | 3653256M1  | ! | 1            |
| 5  | 3653257M1  | ! | 1            |
| 6  | 3653258M1  | ! | 1            |
| 7  | 4217736M1  | ! | 1            |
| 8  | 3653259M1  | ! | 1            |
| 9  | 3653260M1  | ! | 1            |
|    | ●          |   | 3653260M2(4) |
| 10 | 3678002M1  |   |              |
| 11 | 3653263M1  |   |              |
| 12 | 3653465M1  | ! | 11           |
| 13 | 4216987M1  |   |              |
| 14 | 4216988M91 |   |              |
| 15 | 3653873M1  | ! | 14           |
| 16 | 4216990M91 |   |              |
| 17 | 4216991M91 |   |              |
| 18 | 4216992M91 |   |              |
| 19 | 4216993M91 |   |              |
| 20 | 3653876M1  |   |              |

Inglese

- |   |           |
|---|-----------|
| 4 | Nozzle    |
| 4 | Nut       |
| 4 | Support   |
| 4 | Spring    |
| 4 | Nameplate |
| 4 | Retainer  |
| 4 | Nozzle    |
| 8 | Pin       |
| 4 | Kit       |
| 4 | Pipe      |
| 1 | Clip      |
| 1 | Bolt      |
| 2 | Stirrup   |
| 1 | Stirrup   |
| 2 | Stud      |
| 1 | Tube assy |
| 1 | Tube assy |
| 1 | Tube assy |
| 1 | Tube assy |
| 2 | Nut       |

! This is a component of an assembly

● Replacement

**<https://www.ebooklibonline.com>**

Hello dear friend!

Thank you very much for reading.

Enter the link into your browser.

The full manual is available for immediate download.

**<https://www.ebooklibonline.com>**