

Engine

Cx-I tier 3 (2007-2013) - RP22 - 70

RP22\00006319.png

A-05  
01



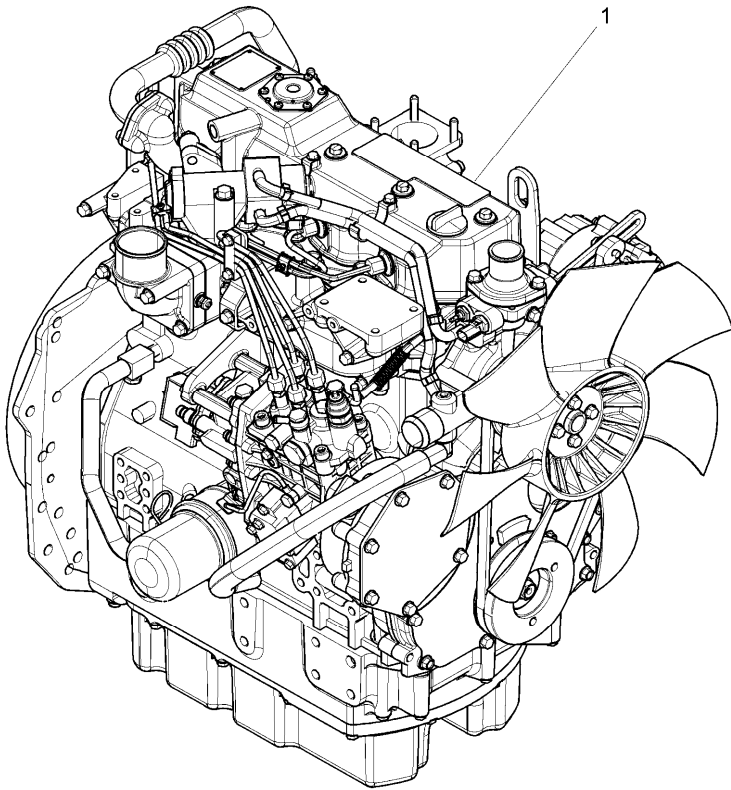
A0501

Engine assembly

Inglese

1 3693745M92 ● 3693745M95(1) 1 Engine  
52.1 kw

● Replacement



Engine

Cx-I tier 3 (2007-2013) - RP22 - 70

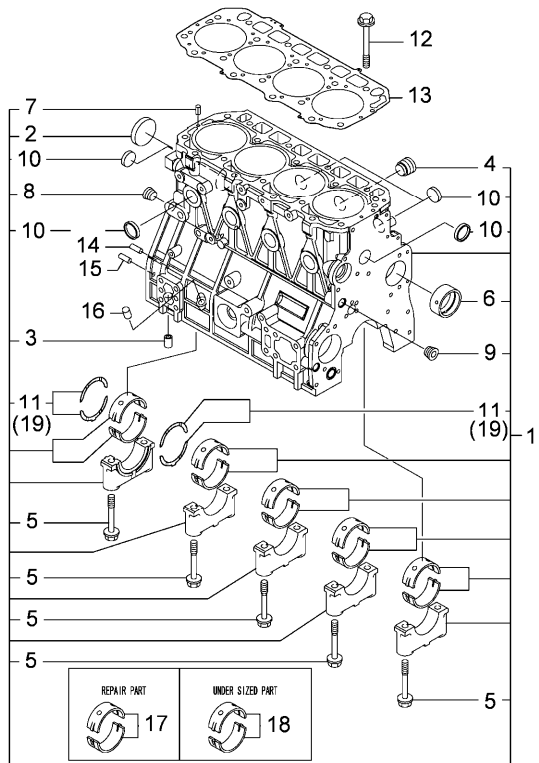
RP22\00006320.png

A-05  
02



A0502

Cylinder block



- 1 4216318M91
- 2 3664567M1 ! 1
- 3 3664971M1 ! 1
- 4 3653796M1 ! 1
- 5 3664574M1 ! 1
- 6 3664576M1 ! 1
- 7 3653818M1 ! 1
- 8 3665018M1 ! 1
- 9 3665018M1 ! 1
- 10 3653889M1 ! 1
- 3653889M2(8)
- 11 3664578M1 ! 1
- 12 3664566M1
- 13 3679646M1
- 14 3653378M1 ! 1
- 15 3653378M1 ! 1
- 16 3677943M1 ! 1
- 17 4216426M1 ! 1
- 18 3664575M1 ! 1
- 3664575M2(5)
- 19 3664579M1 ! 1
- 3664579M2(2)

Inglese

- 1 Cylinder block
- 1 Plug
- 1 Head
- 1 Plug
- 10 Bolt
- 1 Bush
- 2 Pin
- 1 Plug
- 1 Plug
- 8 Plug
- 2 Bearing
- 18 Bolt
- 1 Gasket
- 2 Dowel
- 2 Dowel
- 1 Plug
- 5 Cuscinet
- 5 Cuscinet
- 2 Cuscinet

! This is a component of an assembly  
● Replacement

Engine

Cx-I tier 3 (2007-2013) - RP22 - 70

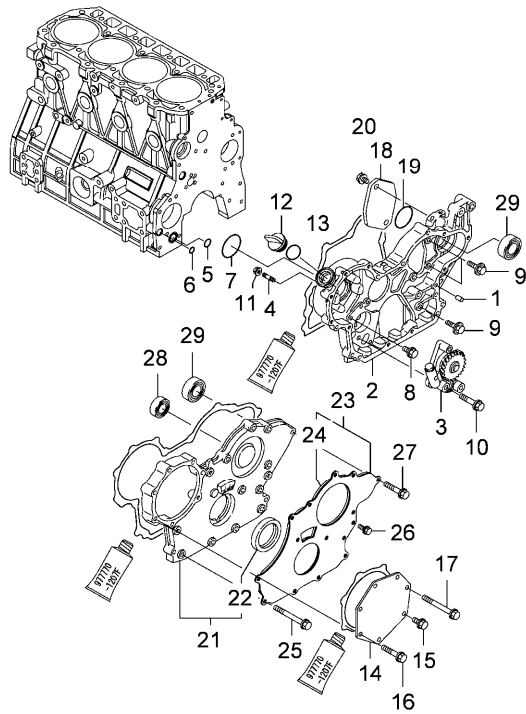
RP22\00006321.png

A-05  
03



A0503

Timing gear and camshaft



- 1 3653378M1
- 2 4216427M1
- 3 3679650M1
- 4 3666904M1
- 5 3664669M1
- 6 3664670M1
- 7 3679653M1
- 8 3653858M1
- 9 3653859M1
- 10 3653863M1
- 11 3666906M1
- 12 3653315M1
- 13 3653835M1
- 14 3664966M1
- 15 3653859M1
- 16 3653863M1
- 17 3686498M1
- 18 4216428M1
- 19 3653839M1
- 20 3679654M1
- 21 4216431M1
- 22 4216432M1
- 23 3679655M1
- 24 3679656M1

● N.L.A.(1)

77x62x11

Inglese

- 4 Dowel
- 1 Housing
- 1 Pump
- 4 Stud
- 1 O ring
- 1 O ring
- 1 Ring
- 1 Bolt
- 3 Bolt
- 3 Bolt
- 4 Nut
- 1 Plug
- 1 O ring
- 1 Coperch.
- 1 Bolt
- 5 Bolt
- 1 Bolt
- 1 Coperch.
- 1 O ring
- 2 Bolt
- 1 Housing
- 1 Seal
- 1 Coperch.
- 1 Rubber sponge

**<https://www.ebooklibonline.com>**

Hello dear friend!

Thank you very much for reading.

Enter the link into your browser.

The full manual is available for immediate download.

**<https://www.ebooklibonline.com>**

Engine

Cx-I tier 3 (2007-2013) - RP22 - 70

RP22\00006321.png

A-05  
03



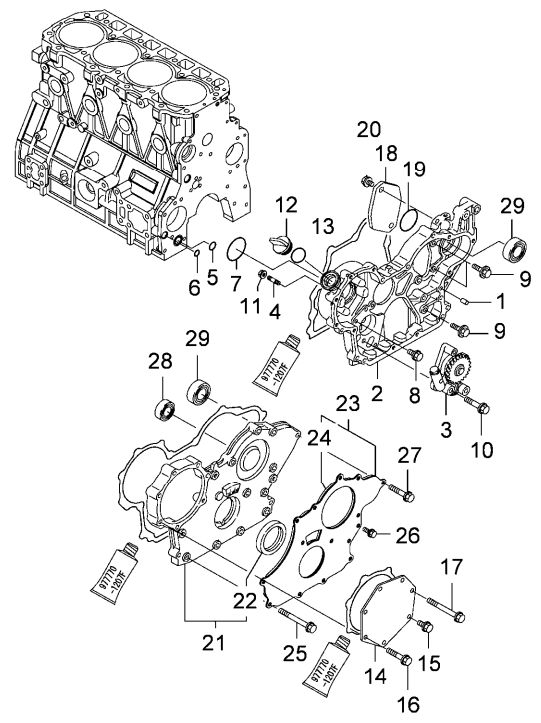
A0503

Timing gear and camshaft

Inglese

- 25 3664449M1
- 26 3653858M1
- 27 3653862M1
- 28 3679651M1
- 29 3664667M1
-  Replacement

- 6 Bolt
- 3 Bolt
- 5 Bolt
- 1 Bearing roller
- 2 Cuscinet



Engine

Cx-I tier 3 (2007-2013) - RP22 - 70

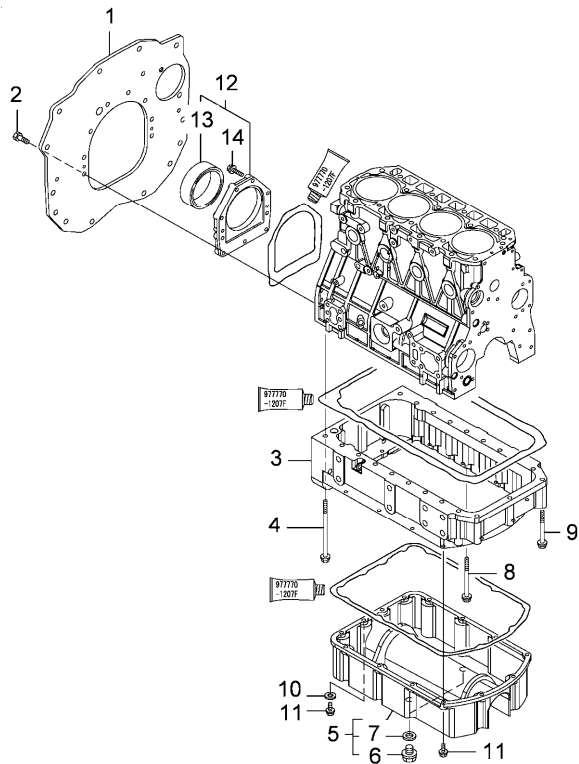
RP22\00006324.png

A-05  
04



A0504

Lubricating oil sump



- 1 4216433M1
- 2 3666901M1
- 3 4216436M1
- 4 4216437M1
- 5 4216438M1
- 6 3653253M1
- 7 3653811M1
- 8 3678291M1
- 9 3664450M1
- 10 3653808M1
- 11 3653860M1
- 12 3664969M1
- 13 3664433M1
- 14 3666895M1

● 3678291M2(16)

● Replacement

Inglese

- 1 Seal
- 9 Bolt
- 1 Crankcase
- 2 Screw
- 1 Pan
- 2 Plug
- 2 Bush
- 16 Bolt
- 3 Bolt
- 2 Washer
- 14 Bolt
- 1 Support
- 1 Seal
- 9 Bolt

Engine

Cx-I tier 3 (2007-2013) - RP22 - 70

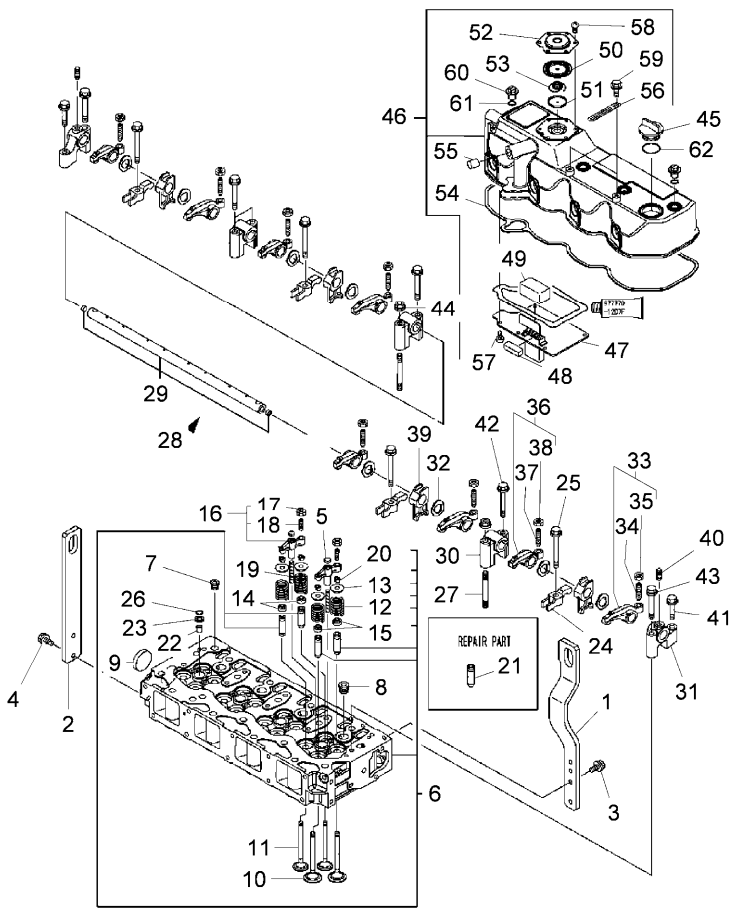
RP22\00006325.png

A-05  
05



A0505

Cylinder head-rocker shaft



- |    |           |   |   |
|----|-----------|---|---|
| 1  | 4216439M1 |   |   |
| 2  | 4216440M1 |   |   |
| 3  | 3653859M1 |   |   |
| 4  | 3653859M1 |   |   |
| 5  | 3679659M1 | ! | 6 |
| 6  | 4216456M1 |   |   |
| 7  | 3678308M1 | ! | 6 |
| 8  | 3665018M1 | ! | 6 |
| 9  | 3653890M1 | ! | 6 |
| 10 | 3679663M1 | ! | 6 |
| 11 | 3679664M1 | ! | 6 |
| 12 | 3679665M1 | ! | 6 |
| 13 | 3679666M1 | ! | 6 |
| 14 | 4216158M1 | ! | 6 |
| 15 | 3679667M1 | ! | 6 |
| 16 | 3679669M1 | ! | 6 |
| 17 | 3653444M1 | ! | 6 |
| 18 | 3678003M1 | ! | 6 |
| 19 | 3679662M1 | ! | 6 |
| 20 | 3679670M1 | ! | 6 |
| 21 | 3679661M1 |   |   |
| 22 | 3677971M1 | ! | 6 |
| 23 | 3653266M1 | ! | 6 |
| 24 | 3679681M1 |   |   |

Inglese

- |    |         |
|----|---------|
| 1  | Stirrup |
| 1  | Stirrup |
| 2  | Bolt    |
| 2  | Bolt    |
| 8  | Washer  |
| 1  | Kit     |
| 1  | Plug    |
| 4  | Plug    |
| 1  | Plug    |
| 8  | Valve   |
| 8  | Valve   |
| 16 | Spring  |
| 16 | Clip    |
| 8  | Ring    |
| 8  | Ring    |
| 8  | Kit     |
| 8  | Nut     |
| 8  | Screw   |
| 8  | Guide   |
| 16 | Dowel   |
| 16 | Guide   |
| 4  | Guard   |
| 4  | Washer  |
| 4  | Clip    |

Engine

Cx-I tier 3 (2007-2013) - RP22 - 70

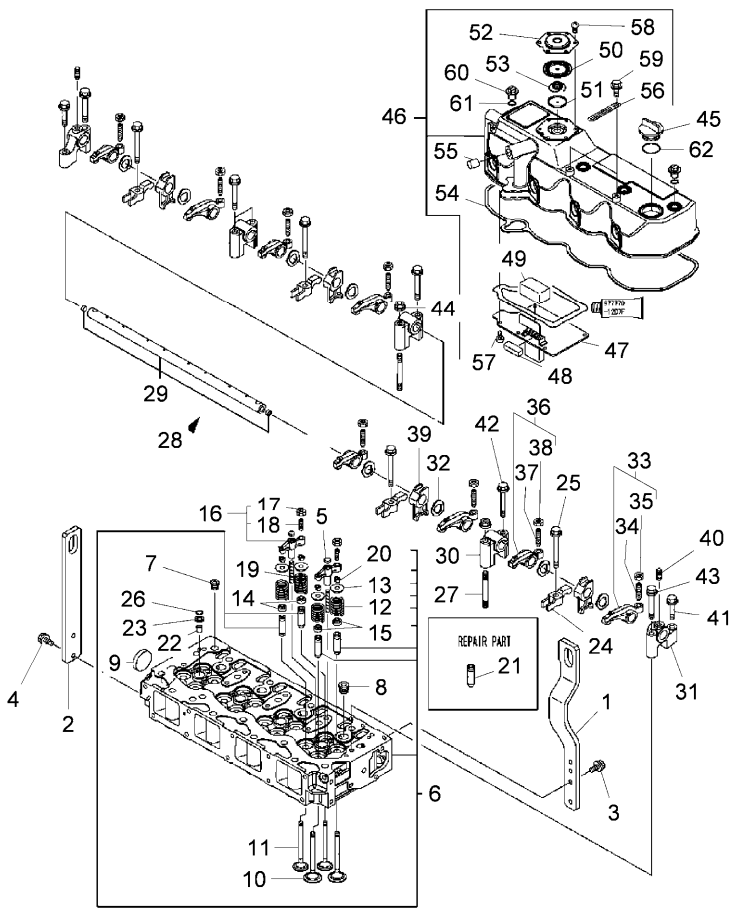
RP22\00006325.png

A-05  
05



A0505

Cylinder head-rocker shaft



|    |           |   |    |
|----|-----------|---|----|
| 25 | 3678296M1 |   |    |
| 26 | 3653831M1 | ! | 6  |
| 27 | 3679671M1 |   |    |
| 28 | 3679672M1 |   |    |
| 29 | 3679673M1 |   |    |
| 30 | 3679674M1 |   |    |
| 31 | 3679675M1 |   |    |
| 32 | 3679676M1 |   |    |
| 33 | 3679677M1 |   |    |
| 34 | 3653439M1 | ! | 33 |
| 35 | 3653444M1 | ! | 33 |
| 36 | 3679678M1 |   |    |
| 37 | 3653439M1 | ! | 36 |
| 38 | 3653444M1 | ! | 36 |
| 39 | 3679679M1 |   |    |
| 40 | 3679680M1 |   |    |
| 41 | 3653862M1 |   |    |
| 42 | 3653866M1 |   |    |
| 43 | 3653866M1 |   |    |
| 44 | 3666905M1 |   |    |
| 45 | 3653315M1 | ! | 46 |
| 46 | 3679682M1 |   |    |
| 47 | 3679683M1 | ! | 46 |
| 48 | 3679684M1 | ! | 46 |

Inglese

|   |          |
|---|----------|
| 4 | Bolt     |
| 4 | O ring   |
| 2 | Bolt     |
| 1 | Support  |
| 1 | Shaft    |
| 3 | Support  |
| 2 | Support  |
| 8 | Washer   |
| 4 | Arm      |
| 4 | Screw    |
| 4 | Nut      |
| 4 | Arm      |
| 4 | Screw    |
| 4 | Nut      |
| 4 | Union    |
| 2 | Stud     |
| 2 | Bolt     |
| 4 | Bolt     |
| 2 | Bolt     |
| 2 | Nut      |
| 1 | Plug     |
| 1 | Coperch. |
| 1 | Plate    |
| 1 | Spacer   |

Engine

Cx-I tier 3 (2007-2013) - RP22 - 70

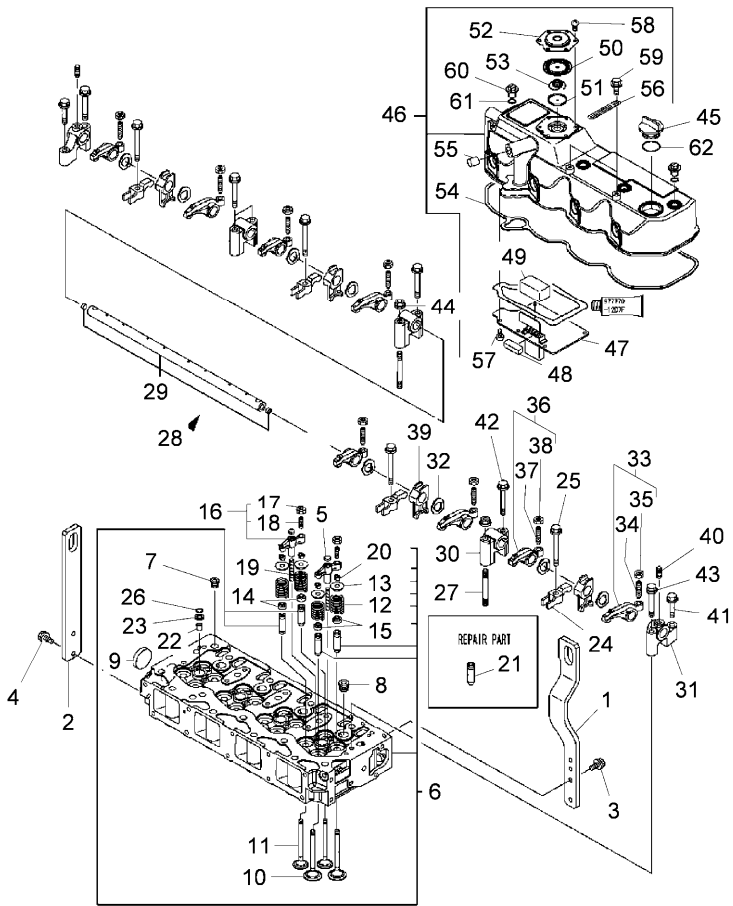
RP22\00006325.png

A-05  
05



A0505

Cylinder head-rocker shaft



- 49 3679685M1 ! 46
- 50 3679686M1 ! 46
- 51 3679687M1 ! 46
- 52 3679688M1 ! 46
- 53 3679689M1 ! 46
- 54 4216472M1 ! 46
- 55 3679691M1 ! 46
- 56 4216457M1 ! 46
- 57 3665010M1 ! 46
- 58 3665010M1 ! 46
- 59 3679848M1 ! 46
- 60 3653317M1 ! 46
- 61 3653831M1 ! 46
- 62 3653835M1 ! 46

! This is a component of an assembly

Inglese

- 1 Spacer
- 1 Diaphragm
- 1 Plate
- 1 Plate
- 1 Spring
- 1 Gasket
- 1 Plug
- 2 Clamp
- 6 Screw
- 6 Screw
- 2 Bolt
- 4 Plug
- 4 O ring
- 1 O ring

Engine

Cx-I tier 3 (2007-2013) - RP22 - 70

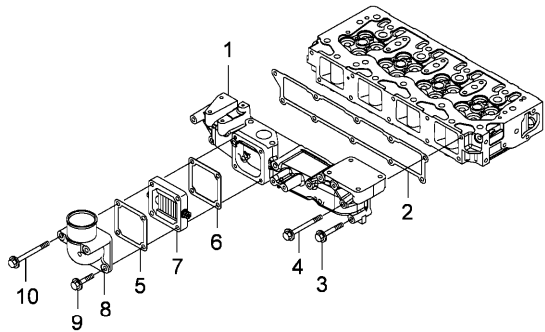
RP22\00006331.png

A-05  
06



A0506

Induction manifold



- 1 4216458M1
- 2 3679693M1
- 3 3653865M1
- 4 3679984M1
- 5 3664375M1
- 6 3664403M1
- 7 4216459M1
- 8 3664376M1
- 9 3653862M1
- 10 3666896M1

Inglese

- 1 Manifold
- 1 Gasket
- 5 Bolt
- 5 Bolt
- 1 Gasket
- 1 Gasket
- 1 Heater
- 1 Elbow
- 2 Bolt
- 2 Bolt

Engine

Cx-I tier 3 (2007-2013) - RP22 - 70

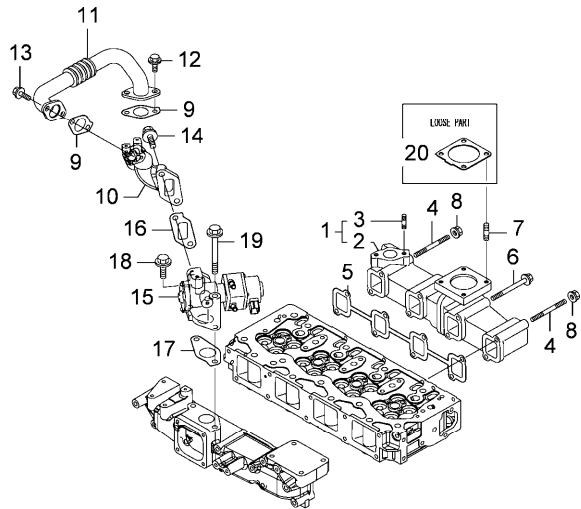
RP22\00006332.png

A-05  
07



A0507

Exhaust manifold



|    |                                    |   |   | Inglese     |
|----|------------------------------------|---|---|-------------|
| 1  | 4216623M91                         |   |   | 1 Manifold  |
| 2  | 4216857M1                          | ! | 1 | 1 Manifold  |
| 3  | 3693926M1                          | ! | 1 | 2 Stud      |
| 4  | 4216858M1                          |   |   | 2 Stud      |
| 5  | 3664598M1                          |   |   | 1 Gasket    |
| 6  | 4216460M1                          |   |   | 6 Heater    |
| 7  | 3653262M1                          |   |   | 4 Bolt      |
| 8  | 3666905M1                          |   |   | 2 Nut       |
| 9  | 4216471M1                          |   |   | 2 Gasket    |
| 10 | 4216617M1                          |   |   | 1 Duct      |
| 11 | 4216618M1                          |   |   | 1 Tube assy |
| 12 | 3653858M1                          |   |   | 2 Bolt      |
| 13 | 3653858M1                          |   |   | 2 Bolt      |
| 14 | 4216619M1                          |   |   | 2 Screw     |
| 15 | 4216620M1                          |   |   | 1 Valve     |
| 16 | 4216621M1                          |   |   | 1 Gasket    |
| 17 | 4216622M1                          |   |   | 1 Gasket    |
| 18 | 4216619M1                          |   |   | 1 Screw     |
| 19 | 4216624M1                          |   |   | 1 Screw     |
| 20 | 4216625M1                          |   |   | 1 Gasket    |
| !  | This is a component of an assembly |   |   |             |

Engine

Cx-I tier 3 (2007-2013) - RP22 - 70

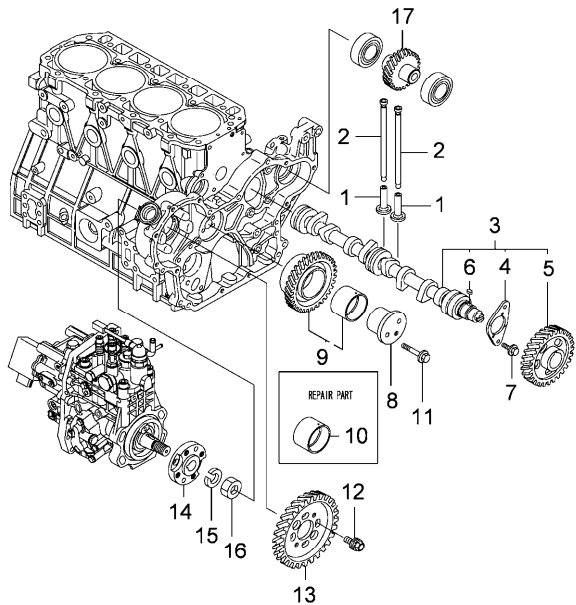
RP22\00006333.png

**A-05  
08**



A0508

Camshaft



- |    |            |   |   |
|----|------------|---|---|
| 1  | 3653447M1  |   |   |
| 2  | 3679697M1  |   |   |
| 3  | 4216626M91 |   |   |
| 4  | 3653430M1  | ! | 3 |
| 5  | 4216627M1  | ! | 3 |
| 6  | 3653820M1  | ! | 3 |
| 7  | 3653858M1  | ! | 3 |
| 8  | 3679699M1  |   |   |
| 9  | 4216628M1  |   |   |
| 10 | 3653454M1  |   |   |
| 11 | 3653865M1  |   |   |
| 12 | 3679820M1  |   |   |
| 13 | 4216629M1  |   |   |
| 14 | 3679822M1  |   |   |
| 15 | 3679823M1  |   |   |
| 16 | 3679824M1  |   |   |
| 17 | 4216630M1  |   |   |
- ! This is a component of an assembly

**Inglese**

- |   |        |
|---|--------|
| 8 | Tappet |
| 8 | Rod    |
| 1 | Shaft  |
| 1 | Plate  |
| 1 | Gear   |
| 1 | Key    |
| 2 | Bolt   |
| 1 | Shaft  |
| 1 | Gear   |
| 1 | Bush   |
| 3 | Bolt   |
| 4 | Bolt   |
| 1 | Gear   |
| 1 | Flange |
| 1 | Spring |
| 1 | Nut    |
| 1 | Gear   |

Engine

Cx-I tier 3 (2007-2013) - RP22 - 70

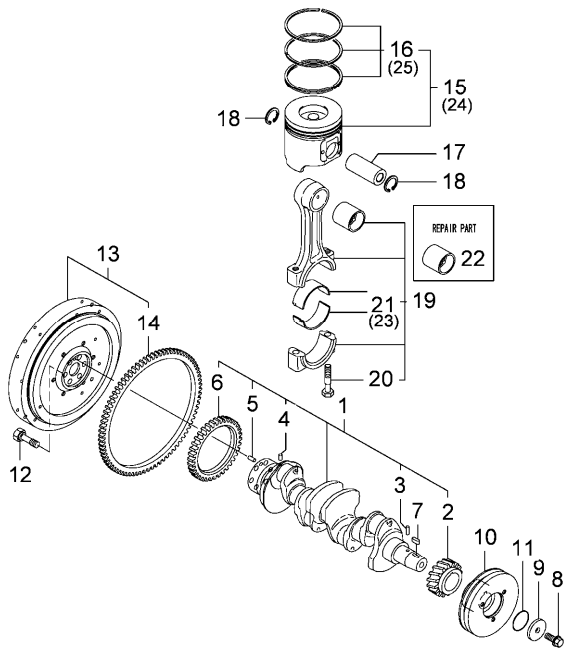
RP22\00006334.png

A-05  
09



A0509

Crankshaft, pistons and connecting rods



|    |  |      | Inglese    |
|----|--|------|------------|
| 1  | 4216749M91   |      | 1 Gear     |
| 2  | 3664656M1  | ! 1  | 1 Gear     |
| 3  | 3653308M1  | ! 1  | 1 Dowel    |
| 4  | 3653308M1  | ! 1  | 1 Dowel    |
| 5  | 3664396M1  | ! 1  | 1 Pin      |
| 6  | 3664982M1  | ! 1  | 1 Gear     |
| 7  | 3653820M1  | ! 1  | 1 Key      |
| 8  | 4216750M1  |      | 1 Screw    |
| 9  | 3664993M1  |      | 1 Washer   |
| 10 | 4216751M1  |      | 1 Pulley   |
| 11 | 3666890M1  |      | 1 O ring   |
| 12 | 3664395M1  |      | 6 Bolt     |
| 13 | 4216753M91   |      | 1 Flywheel |
| 14 | 3664657M1  | ! 13 | 1 Gear     |
| 15 | 4216754M91   |      | 4 Piston   |
| 16 | 4216755M1  | ! 15 | 4 Ring     |
| 17 | 3664388M1  |      | 4 Pin      |
| 18 | 3665007M1  |      | 8 Ring     |
| 19 | 4216756M91   |      | 4 Conrod   |
| 20 | 3664660M1  | ! 19 | 8 Bolt     |
| 21 | 4216757M1  | ! 19 | 4 Bearing  |
|    |  3664661M2(4) |      |            |
| 22 | 3664663M2  | ! 19 | 4 Bush     |
| 23 | 3664662M1  | ! 19 | 4 Cuscinet |

Engine

Cx-I tier 3 (2007-2013) - RP22 - 70

RP22\00006334.png

A-05  
09



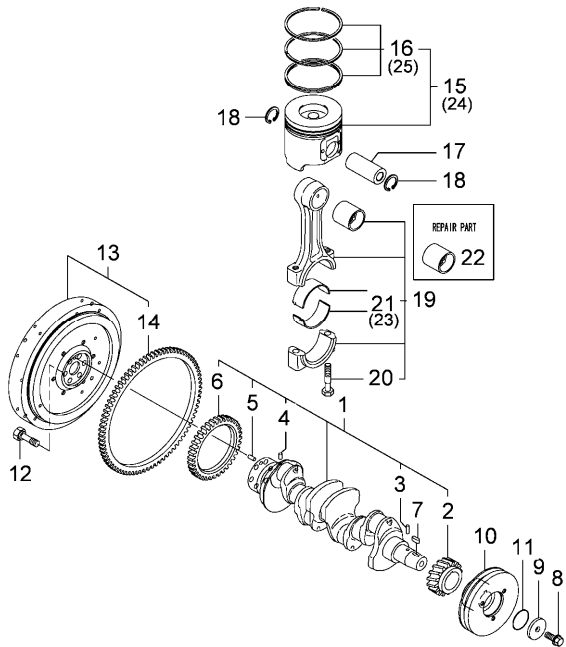
A0509

Crankshaft, pistons and connecting rods

Inglese

|    |            |   |               |   |        |
|----|------------|---|---------------|---|--------|
| 24 | 4216759M91 | ● | 4216759M92(4) | 4 | Piston |
|    |            |   | +0,25mm       |   |        |
| 25 | 4216791M91 | ! | 24            | 4 | Kit    |
|    |            |   | +0,25mm       |   |        |

! This is a component of an assembly  
● Replacement



Engine

Cx-I tier 3 (2007-2013) - RP22 - 70

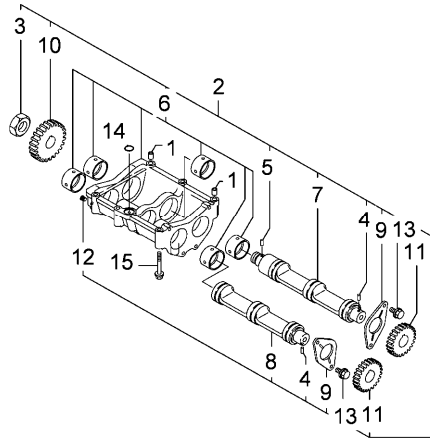
RP22\00006335.png

A-05  
10



A0510

Rocker



- 1 3653790M1 ! 2
- 2 3679839M1
- 3 3664444M1 ! 2
- 4 3653308M1 ! 2
- 5 3653308M1 ! 2
- 6 3679832M1 ! 2
- 7 3664978M1 ! 2
- 8 3664979M1 ! 2
- 9 3664980M1 ! 2
- 10 3664983M1 ! 2
- 11 3664984M1 ! 2
- 12 3653827M1 ! 2
- 13 3653858M1 ! 2
- 14 3665020M1 ! 2
- 15 3653866M1 ! 2

Inglese

- 2 Bush
- 1 Balancer
- 1 Nut
- 2 Dowel
- 1 Dowel
- 1 Box
- 1 Shaft
- 1 Shaft
- 2 Cuscinet
- 1 Gear
- 2 Gear
- 1 Plug
- 4 Bolt
- 1 O ring
- 6 Bolt

! This is a component of an assembly

Engine

Cx-I tier 3 (2007-2013) - RP22 - 70

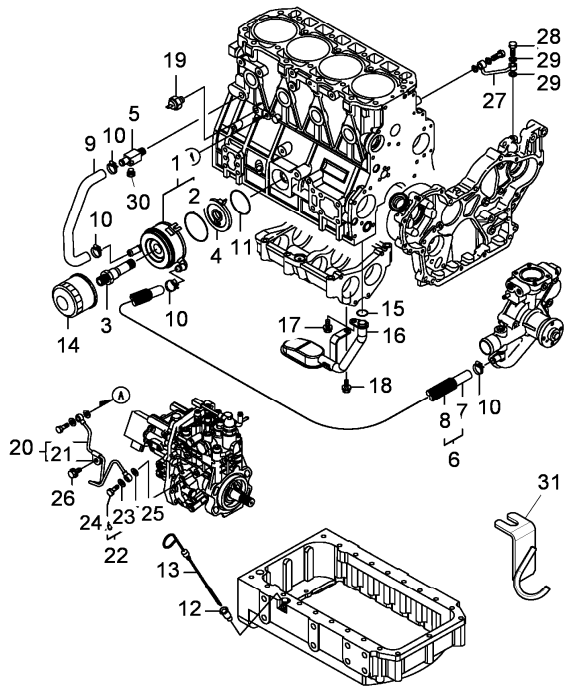
RP22\00006336.png

A-05  
11



A0511

Lubricating oil pump and delivery housing



|    |            |                | Inglese            |
|----|------------|----------------|--------------------|
| 1  | 3679835M1  |                | 1 Exchanger        |
| 2  | 4216793M1  | ! 1            | 1 Ring             |
| 3  | 3679836M1  |                | 1 Bolt             |
| 4  | 4216794M1  |                | 1 Stirrup          |
| 5  | 3678027M1  |                | 1 Union            |
| 6  | 4216752M91 |                | 1 Tube assy        |
| 7  | 4216758M1  |                | 1 Coupler          |
| 8  | 4216859M1  |                | 1 Coupler          |
| 9  | 3679838M1  |                | 1 Pipe             |
| 10 | 3678302M1  |                | 4 Clamp            |
| 11 | 3679831M1  |                | 1 Ring             |
| 12 | 3664386M1  |                | 1 Guide            |
| 13 | 4216860M1  |                | 1 Rod              |
| 14 | 4216048M1  | ● 3678034M2(1) | 1 Filter           |
| 15 | 3664669M1  |                | 1 O ring           |
| 16 | 4216861M91 |                | 1 Pipe             |
| 17 | 3653857M1  |                | 1 Bolt             |
| 18 | 3653859M1  |                | 1 Bolt             |
| 19 | 4216862M1  |                | 1 Switch, indirect |
| 20 | 4216863M91 |                | 1 Tube assy        |
| 21 | 3679834M1  | ! 20           | 1 Support          |
| 22 | 3678024M1  |                | 2 Bolt             |
| 23 | 3653808M1  | ! 22           | 2 Washer           |
| 24 | 3665013M1  | ! 22           | 2 Bolt             |

Engine

Cx-I tier 3 (2007-2013) - RP22 - 70

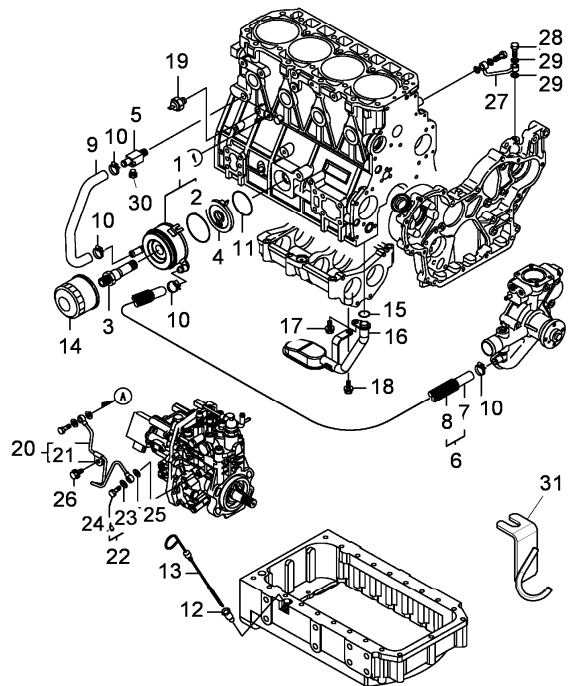
A-05  
11



A0511

Lubricating oil pump and delivery housing

RP22\00006336.png



Inglese

- 25 3653808M1
- 26 3653856M1
- 27 3664963M1
- 28 3664364M1
- 29 3653808M1
- 30 3653797M1
- 31 4213510M91

- 2 Washer
- 1 Bolt
- 1 Pipe
- 2 Bolt
- 4 Washer
- 1 Plug
- 1 Stirrup

- ! This is a component of an assembly
- Replacement

Engine

Cx-I tier 3 (2007-2013) - RP22 - 70

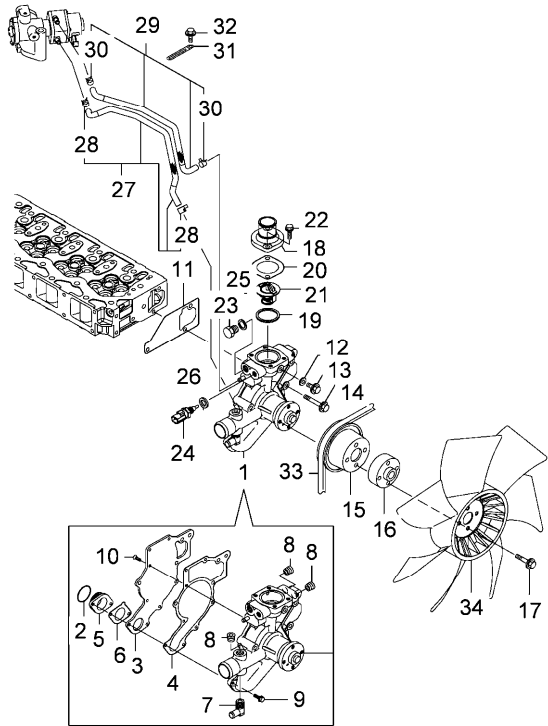
RP22\00006337.png

A-05  
12



A0512

Water pump and thermostat



|    |            |          | Inglese      |
|----|------------|----------|--------------|
| 1  | 4216864M91 |          | 1 Pump       |
| 2  | 4216865M1  | ! 1      | 1 Ring       |
| 3  | 4216866M1  | ! 1      | 1 Coperch.   |
| 4  | 4216867M1  | ! 1      | 1 Gasket     |
| 5  | 4216868M1  | ! 1      | 1 Flange     |
| 6  | 4216869M1  | ! 1      | 1 Flange     |
| 7  | 4216870M1  | ! 1      | 1 Filler     |
| 8  | 3678297M1  | ! 1      | 3 Plug       |
| 9  | 3653854M1  | ! 1      | 2 Bolt       |
| 10 | 4216871M1  | ! 1      | 6 Screw      |
| 11 | 4216872M1  |          | 1 Gasket     |
| 12 | 3653822M1  |          | 1 Gasket     |
| 13 | 3653856M1  |          | 1 Bolt       |
| 14 | 3653865M1  |          | 3 Bolt       |
| 15 | 4216873M1  | ➔ V07531 | 1 Pulley     |
| 15 | 4220894M1  | ➔ V07532 | 1 Pulley     |
| 16 | 4216874M1  |          | 1 Hub        |
| 17 | 3653862M1  |          | 4 Bolt       |
| 18 | 4216875M1  |          | 1 Cover      |
| 19 | 3664399M1  |          | 1 Gasket     |
| 20 | 4216880M1  |          | 1 Gasket     |
| 21 | 3664400M1  |          | 1 Thermostat |
| 22 | 3653860M1  |          | 2 Bolt       |
| 23 | 4216881M1  |          | 1 Plug       |

Engine

Cx-I tier 3 (2007-2013) - RP22 - 70

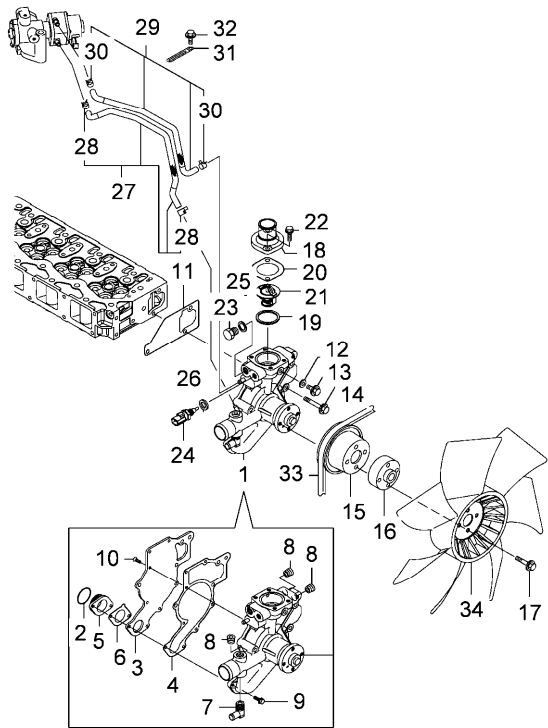
RP22\00006337.png

A-05  
12



A0512

Water pump and thermostat



|    |                    | Inglese                            |
|----|--------------------|------------------------------------|
| 24 | 4216882M1          | 1 Bulb                             |
| 25 | 3653324M1          | 1 Gasket                           |
| 26 | 3653810M1          | 1 Washer                           |
| 27 | 4216885M91         | 1 Pipe                             |
| 28 | 4216886M1 ! 27     | 2 Clamp                            |
| 29 | 4216887M91         | 1 Pipe                             |
| 30 | 4216886M1 ! 29     | 2 Clamp                            |
| 31 | 4216457M1          | 1 Clamp                            |
| 32 | 3679848M1          | 1 Bolt                             |
| 33 | 4216890M1 ➡ V07531 | 1 Belt                             |
| 33 | 4221996M1 ➡ V07532 | 1 Belt                             |
| 34 | 4216891M1          | 1 Fan                              |
| !  |                    | This is a component of an assembly |
| ➡  |                    | From serial or engine number       |
| ➡  |                    | Up to serial or engine number      |

Engine

Cx-I tier 3 (2007-2013) - RP22 - 70

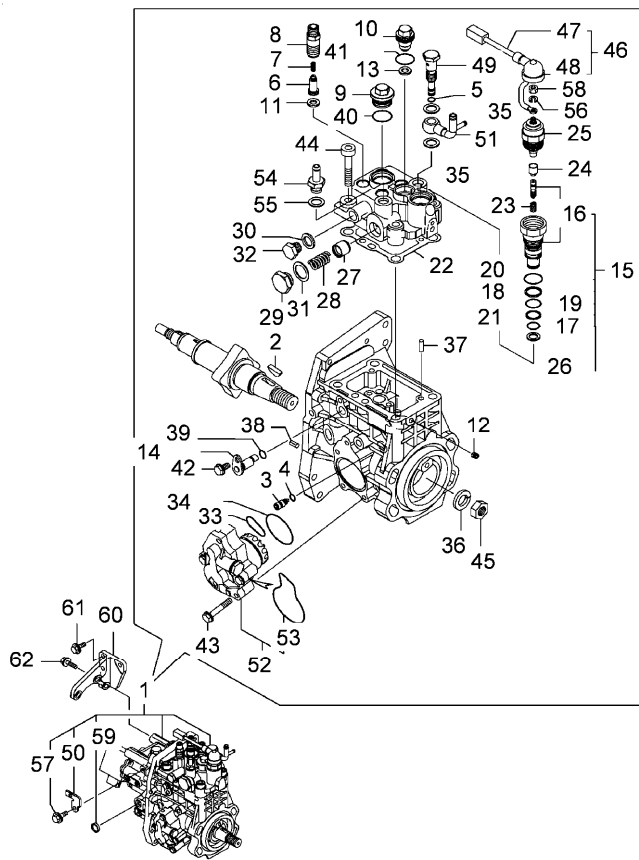
RP22\00006338.png

A-05  
13



A0513

Injection pump assy



|    |            |   |              | Inglese     |
|----|------------|---|--------------|-------------|
| 1  | 4217380M1  | ● | N.L.S.(1)    | 1 Pump      |
| 2  | 4216893M1  | ! | 1            | 1 Key       |
| 3  | 4216894M1  | ! | 1            | 1 Switch    |
|    |            | ● | 4215971M1(1) |             |
| 4  | 3679822M1  | ! | 1            | 1 Flange    |
| 5  | 3679822M1  | ! | 1            | 1 Flange    |
| 6  | 4216895M1  | ! | 1            | 4 Valve     |
| 7  | 4216896M1  | ! | 1            | 4 Spring    |
|    |            | ● | 4215979M1(4) |             |
| 8  | 4216897M1  | ! | 1            | 4 Nipple    |
| 9  | 4216898M1  | ! | 1            | 1 Plug      |
|    |            | ● | 4215989M1(1) |             |
| 10 | 4216899M1  | ! | 1            | 1 Plug      |
| 11 | 4216900M1  | ! | 1            | 4 Washer    |
|    |            | ● | 4218274M1(1) |             |
| 12 | 4216901M1  | ! | 1            | 1 Plug      |
|    |            | ● | 4215993M1(1) |             |
| 13 | 4216902M1  | ! | 1            | 1 Washer    |
| 14 | 4216903M1  | ! | 1            | 1 Lever     |
|    |            | ● | 4215997M1(1) |             |
| 15 | 4216904M91 | ! | 1            | 1 Kit       |
| 16 | 4216905M91 | ! | 15           | 1 Hourmeter |
| 17 | 4216929M1  | ! | 15           | 1 O ring    |
|    |            | ● | 4216012M1(1) |             |

Engine

Cx-I tier 3 (2007-2013) - RP22 - 70

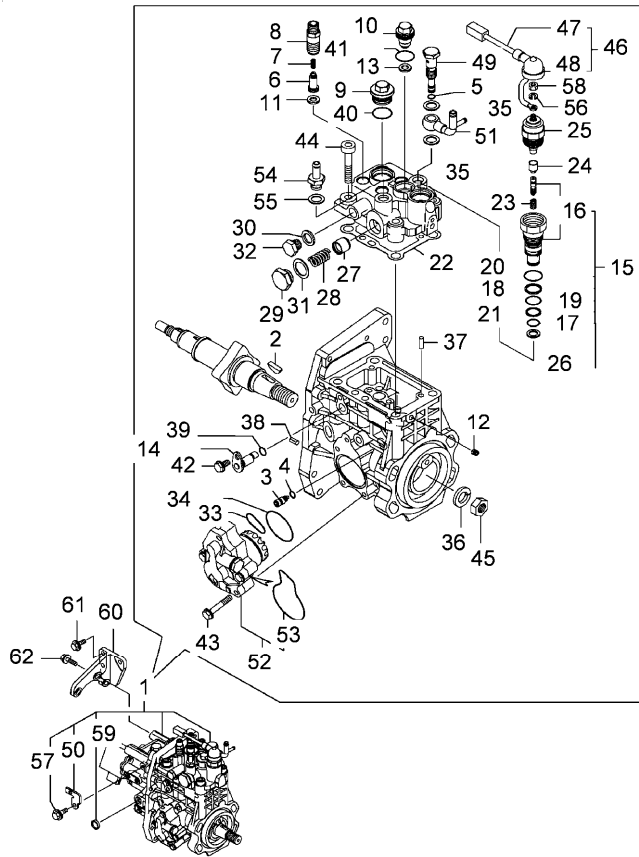
RP22\00006338.png

A-05  
13



A0513

Injection pump assy



|    |           |   |              | Inglese    |
|----|-----------|---|--------------|------------|
| 18 | 4216930M1 | ! | 15           | 1 Washer   |
| 19 | 4216952M1 | ● | 4216016M1(1) | 1 O ring   |
| 20 | 4216923M1 | ! | 15           | 1 Ring     |
| 21 | 4216910M1 | ● | 4216020M1(1) | 1 Ring     |
| 22 | 4216911M1 | ! | 15           | 1 Ring     |
| 23 | 4216912M1 | ● | 4216025M1(1) | 1 Gasket   |
| 24 | 4216913M1 | ! | 1            | 1 Spring   |
| 25 | 4216914M1 | ! | 1            | 1 Cover    |
| 26 | 4208763M1 | ! | 1            | 1 Solenoid |
| 27 | 4216915M1 | ! | 1            | 1 Gasket   |
| 28 | 4216916M1 | ! | 1            | 1 Piston   |
| 29 | 4216917M1 | ● | 4216093M1(1) | 1 Spring   |
| 30 | 3653810M1 | ! | 1            | 1 Spring   |
| 31 | 4208895M1 | ● | 4216094M1(1) | 1 Plug     |
| 32 | 4216918M1 | ! | 1            | 1 Plug     |
| 33 | 4216919M1 | ● | 4216095M1(1) | 1 Washer   |
|    |           | ! | 1            | 1 Gasket   |
|    |           | ● | 4216097M1(1) | 1 Plug     |
|    |           | ! | 1            | 1 O ring   |
|    |           | ● | 4216080M1(1) |            |

Engine

Cx-I tier 3 (2007-2013) - RP22 - 70

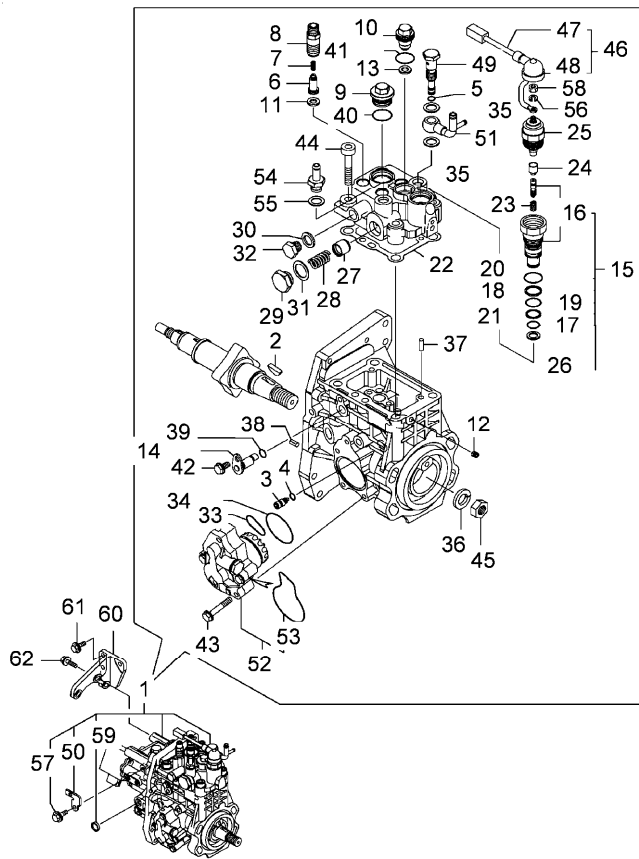
RP22\00006338.png

A-05  
13



A0513

Injection pump assy



|    |            |   |               | Inglese   |
|----|------------|---|---------------|-----------|
| 34 | 4216920M1  | ! | 1             | 1 O ring  |
|    |            | ● | 4216278M1(1)  |           |
| 35 | 3653810M1  | ! | 1             | 2 Washer  |
| 36 | 3679823M1  | ! | 1             | 1 Spring  |
| 37 | 4216922M1  | ! | 1             | 2 Pin     |
| 38 | 3653817M1  | ! | 1             | 2 Dowel   |
| 39 | 3665019M1  | ! | 1             | 1 O ring  |
| 40 | 4216923M1  | ! | 1             | 1 Ring    |
|    |            | ● | 4216020M1(1)  |           |
| 41 | 4216924M1  | ! | 1             | 1 Ring    |
| 42 | 3653851M1  | ! | 1             | 1 Bolt    |
| 43 | 3680228M1  | ! | 1             | 4 Bolt    |
| 44 | 4216925M1  | ! | 1             | 4 Screw   |
| 45 | 3679824M1  | ! | 1             | 1 Nut     |
| 46 | 4216926M91 | ! | 1             | 1 Harness |
| 47 | 4216927M91 | ! | 1             | 1 Harness |
|    |            | ● | 4216926M91(1) |           |
| 48 | 4216928M1  | ! | 1             | 1 Cotter  |
| 49 | 4208761M1  | ! | 1             | 1 Gasket  |
| 50 | 4216954M1  |   |               | 1 Stirrup |
| 51 | 4216955M1  | ! | 1             | 1 Eye     |
|    |            | ● | 4215966M1(1)  |           |
| 52 | 4216989M91 | ! | 1             | 1 Pump    |
|    |            | ● | 4216078M91(1) |           |

Engine

Cx-I tier 3 (2007-2013) - RP22 - 70

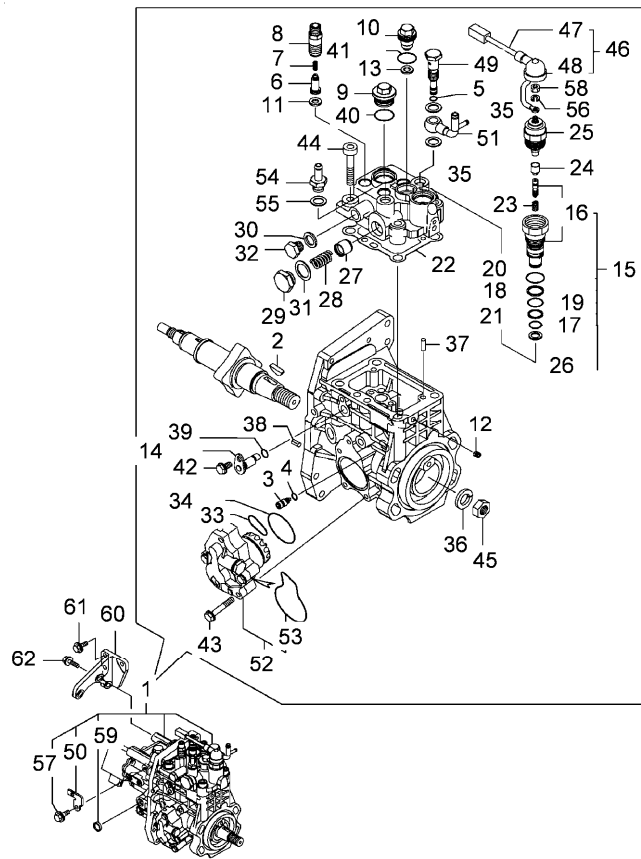
RP22\00006338.png

A-05  
13



A0513

Injection pump assy



|    |           | Inglese |              |           |
|----|-----------|---------|--------------|-----------|
| 53 | 4216966M1 | !       | 52           | 1 Ring    |
|    |           | ●       | 4216079M1(1) |           |
| 54 | 4216967M1 | !       | 1            | 1 Coupler |
|    |           | ●       | 4216098M1(1) |           |
| 55 | 3653810M1 | !       | 1            | 1 Washer  |
| 56 | 3653812M1 | !       | 1            | 1 Spring  |
| 57 | 3679848M1 |         |              | 1 Bolt    |
| 58 | 4216973M1 | !       | 1            | 1 Nut     |
| 59 | 4216974M1 |         |              | 1 Plug    |
| 60 | 4216975M1 |         |              | 1 Stirrup |
| 61 | 3653859M1 |         |              | 3 Bolt    |
| 62 | 3666895M1 |         |              | 3 Bolt    |

! This is a component of an assembly  
 ● Replacement

Engine

Cx-I tier 3 (2007-2013) - RP22 - 70

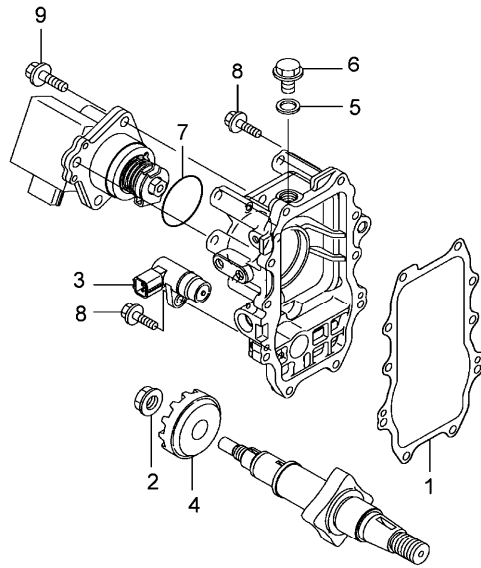
RP22\00006340.png

A-05  
14



A0514

Fuel cut off



- |   |                          | Inglese   |
|---|--------------------------|-----------|
| 1 | 4216977M1                | 1 Gasket  |
| 2 | 4216978M1                | 1 Nut     |
| 3 | 4216979M1 A              | 1 Sensor  |
| 4 | 4216980M1                | 1 Ferrule |
| 5 | 3653824M1                | 1 Gasket  |
| 6 | 4216981M1 ● 4216097M1(1) | 1 Plug    |
| 7 | 4216982M1                | 1 O ring  |
| 8 | 3681395M1                | 10 Bolt   |
| 9 | 3653860M1                | 3 Bolt    |
| ● | Replacement              |           |
| A | Motor speed              |           |

Engine

Cx-I tier 3 (2007-2013) - RP22 - 70

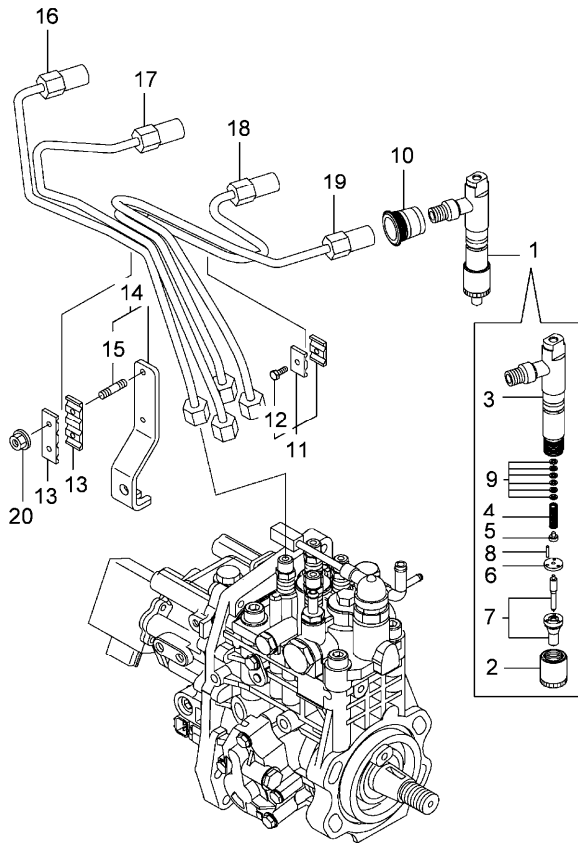
RP22\00006341.png

A-05  
15



A0515

Fuel injection valve



- |    |            |   |              |
|----|------------|---|--------------|
| 1  | 4217460M1  |   |              |
| 2  | 3653255M1  | ! | 1            |
| 3  | 4216985M1  | ! | 1            |
| 4  | 3653256M1  | ! | 1            |
| 5  | 3653257M1  | ! | 1            |
| 6  | 3653258M1  | ! | 1            |
| 7  | 4217461M1  | ! | 1            |
| 8  | 3653259M1  | ! | 1            |
| 9  | 3653260M1  | ! | 1            |
|    |            | ● | 3653260M2(4) |
| 10 | 3678002M1  |   |              |
| 11 | 3653263M1  |   |              |
| 12 | 3653465M1  | ! | 11           |
| 13 | 4216987M1  |   |              |
| 14 | 4216988M91 |   |              |
| 15 | 3653873M1  | ! | 14           |
| 16 | 4216990M91 |   |              |
| 17 | 4216991M91 |   |              |
| 18 | 4216992M91 |   |              |
| 19 | 4216993M91 |   |              |
| 20 | 3653876M1  |   |              |

Inglese

- |   |           |
|---|-----------|
| 4 | Nozzle    |
| 4 | Nut       |
| 4 | Nozzle    |
| 4 | Spring    |
| 4 | Nameplate |
| 4 | Retainer  |
| 4 | Nozzle    |
| 8 | Pin       |
| 4 | Kit       |
| 4 | Pipe      |
| 1 | Clip      |
| 1 | Bolt      |
| 2 | Stirrup   |
| 1 | Stirrup   |
| 2 | Stud      |
| 1 | Tube assy |
| 1 | Tube assy |
| 1 | Tube assy |
| 1 | Tube assy |
| 2 | Nut       |

! This is a component of an assembly  
● Replacement

Engine

Cx-I tier 3 (2007-2013) - RP22 - 70

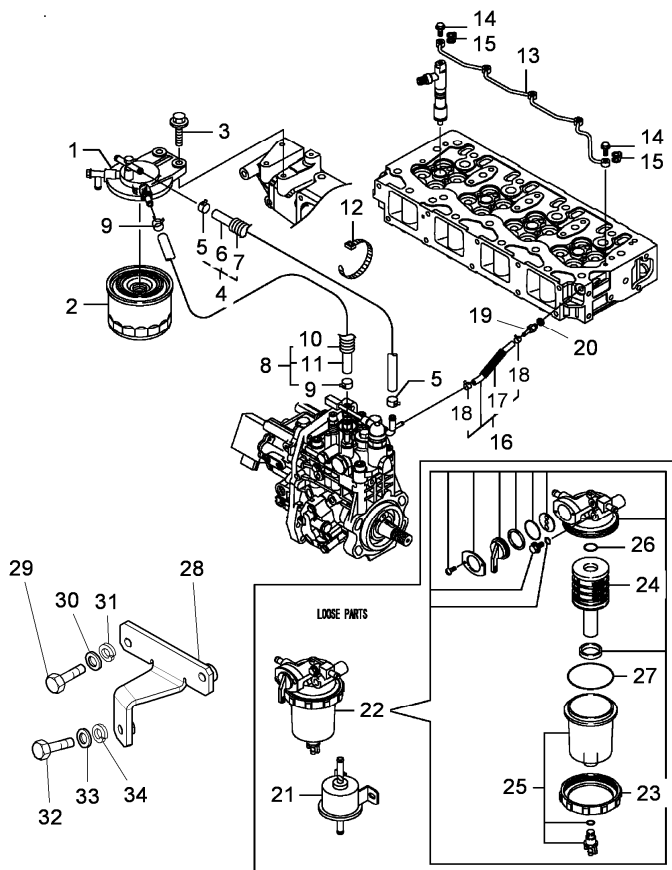
A-05  
16



A0516

Fuel system and filter

RP22\00006342.png



- |    |            |   |    |
|----|------------|---|----|
| 1  | 3678022M2  |   |    |
| 2  | 3677987M2  |   |    |
| 3  | 3666895M1  |   |    |
| 4  | 4216994M91 |   |    |
| 5  | 3653332M1  | ! | 4  |
| 6  | 3664467M1  | ! | 4  |
| 7  | 4216995M1  | ! | 4  |
| 8  | 4216996M1  |   |    |
| 9  | 3653332M1  | ! | 8  |
| 10 | 3664964M1  | ! | 8  |
| 11 | 3664365M1  | ! | 8  |
| 12 | 3664394M1  |   |    |
| 13 | 3679972M1  |   |    |
| 14 | 3678004M1  |   |    |
| 15 | 3678005M1  |   |    |
| 16 | 4217006M91 |   |    |
| 17 | 4217007M1  | ! | 16 |
| 18 | 3678010M1  | ! | 16 |
| 19 | 3678006M1  |   |    |
| 20 | 3653808M1  |   |    |
| 21 | 3677942M1  |   |    |
| 22 | 3677985M1  |   |    |
| 23 | 3653393M1  | ! | 22 |
| 24 | 3677986M1  | ! | 22 |

Inglese

- |   |           |
|---|-----------|
| 1 | Stirrup   |
| 1 | Filter    |
| 2 | Bolt      |
| 1 | Tube assy |
| 2 | Clamp     |
| 1 | Pipe      |
| 1 | Tube assy |
| 1 | Pipe      |
| 2 | Clamp     |
| 1 | Pipe      |
| 1 | Pipe      |
| 1 | Clamp     |
| 1 | Pipe      |
| 5 | Bolt      |
| 5 | Union     |
| 1 | Pipe      |
| 1 | Pipe      |
| 2 | Clamp     |
| 1 | Union     |
| 1 | Washer    |
| 1 | Pump      |
| 1 | Separator |
| 1 | Ring      |
| 1 | Element   |

Engine

Cx-I tier 3 (2007-2013) - RP22 - 70

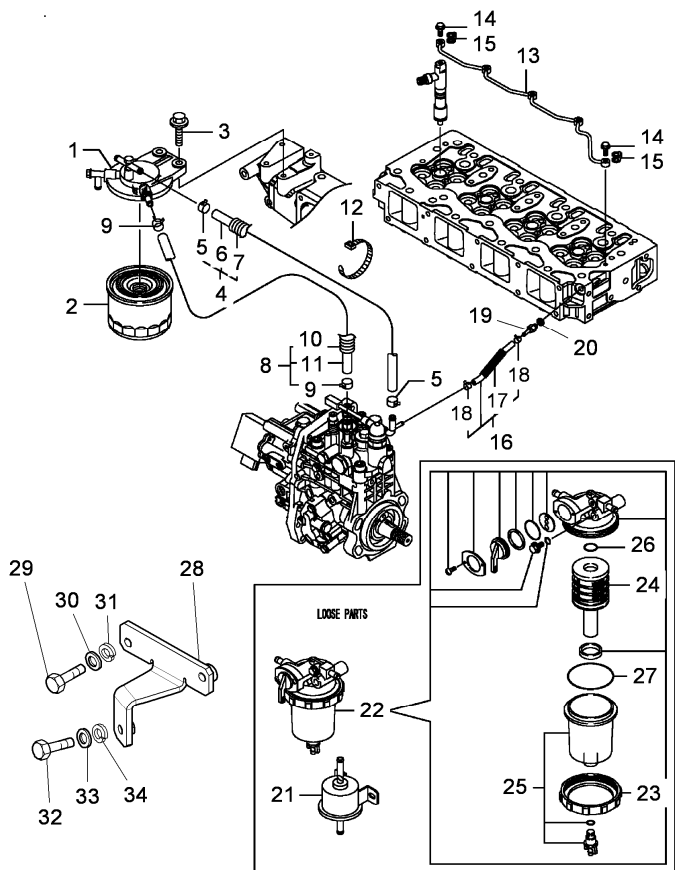
A-05  
16



A0516

Fuel system and filter

RP22\00006342.png



Inglese

|    |            |    |                     |   |         |
|----|------------|----|---------------------|---|---------|
| 25 | 4217008M91 | !  | 22                  | 1 | Filter  |
|    |            | ●  | N.L.S.(1)           |   |         |
| 26 | 3653833M1  | !  | 22                  | 1 | Ring    |
| 27 | 3653838M1  | !  | 22                  | 1 | Ring    |
| 28 | 4213534M91 |    |                     | 1 | Support |
| 29 | 339123X1   | ◄► | M8 x 20 mm          | 2 | Screw   |
|    |            | ●  | 000160434210(2)     |   |         |
| 30 | 390972X1   | ●  | Substitutions error | 2 | Washer  |
| 31 | 339374X1   | ●  | Substitutions error | 2 | Washer  |
| 32 | 390246X1   | ◄► | M8 x 70 mm          | 1 | Screw   |
| 33 | 390972X1   | ●  | Substitutions error | 1 | Washer  |
| 34 | 339374X1   | ●  | Substitutions error | 1 | Washer  |

- ! This is a component of an assembly
- ◄► Length
- Replacement



**Suggest:**

**For more complete manuals. Please go to the home page.**

**<https://www.ebooklibonline.com>**

**If the above button click is invalid. Please download this document first, and then click the above link to download the complete manual.**

**Thank you so much for reading**

Engine

Cx-I tier 3 (2007-2013) - RP22 - 70

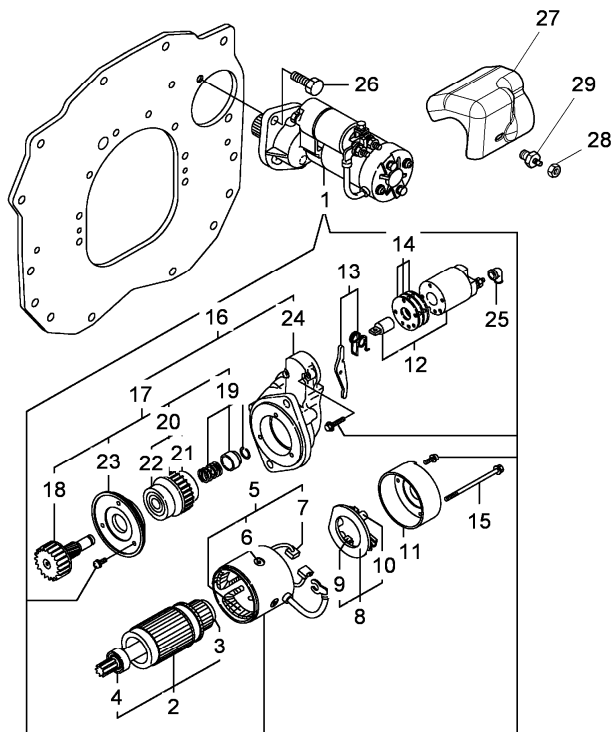
RP22\00006343.png

A-05  
17



A0517

Starter motor



- 1 3664545M1 V07531
- 3664545M2(1)
- 1 3664545M2 V07532
- 2 3664678M1 ! 1
- 3 4217009M1 ! 2
- 4 4217010M1 ! 2
- 5 3664679M1
- 6 3664997M1 ! 5
- 7 3664680M1 ! 5
- 8 3664682M1
- 9 3664680M1 ! 8
- 10 4217011M1 ! 8
- 11 3664681M1 ! 1
- 12 3664688M1 ! 1
- V07531
- 12 6519239M1 ! 1
- V07532
- 13 3664690M1 ! 1
- 14 3664692M1 ! 1
- 15 3664691M1 ! 1
- 16 4217012M91 ! 1
- 17 3664684M1 ! 16
- 18 3664686M1 ! 17
- V07531

Inglese

- 1 Startermotor
- 1 Startermotor
- 1 Housing
- 1 Cuscinet
- 1 Cuscinet
- 1 Support
- 4 Screw
- 2 Brush
- 1 Axle
- 2 Brush
- 4 Brush
- 1 Coperch.
- 1 Switch
- 1 Cutout
- 1 Lever
- 1 Coperch.
- 2 Bolt
- 1 Housing
- 1 Pinion
- 1 Shaft

Engine

Cx-I tier 3 (2007-2013) - RP22 - 70

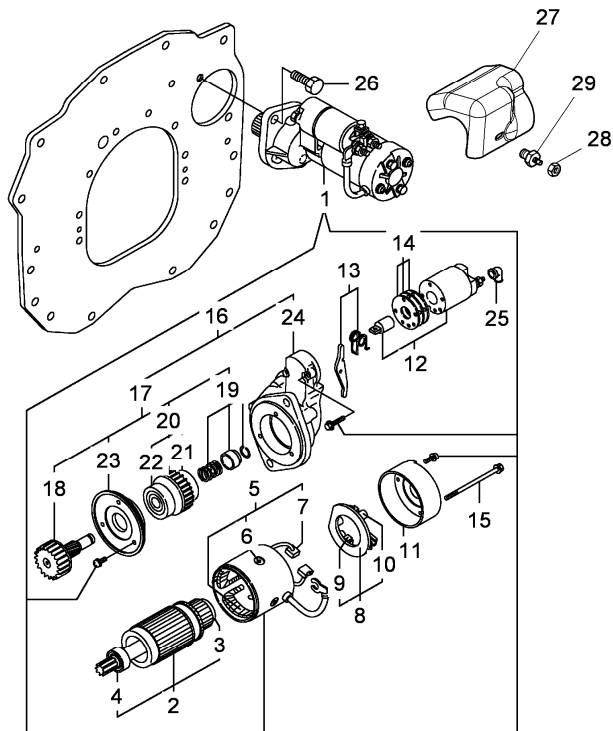
RP22\00006343.png

A-05  
17



A0517

Starter motor



|    |           |   |        |
|----|-----------|---|--------|
| 18 | 6519240M1 | ! | 17     |
|    |           | ➔ | V07532 |
| 19 | 3664687M1 | ! | 17     |
| 20 | 3664685M1 | ! | 17     |
| 21 | 3664998M1 | ! | 20     |
| 22 | 3664999M1 | ! | 20     |
| 23 | 3664689M1 | ! | 17     |
| 24 | 3664693M1 | ! | 16     |
| 25 | 3665000M1 | ! | 1      |
| 26 | 3653871M1 |   |        |
| 27 | 4219197M1 |   |        |
| 28 | 4205649M1 |   |        |
| 29 | 4214682M1 |   |        |

Inglese

|   |          |
|---|----------|
| 1 | Shaft    |
| 1 | Retainer |
| 1 | Clutch   |
| 1 | Cuscinet |
| 1 | Cuscinet |
| 1 | Cuscinet |
| 1 | Housing  |
| 1 | Coperch. |
| 1 | Bolt     |
| 1 | Guard    |
| 1 | Nut      |
| 1 | Screw    |

- ! This is a component of an assembly
- ➔ From serial or engine number
- ➔ Up to serial or engine number
- Replacement

**<https://www.ebooklibonline.com>**

Hello dear friend!

Thank you very much for reading.

Enter the link into your browser.

The full manual is available for immediate download.

**<https://www.ebooklibonline.com>**