

Engine

Cx-I tier 3 (2007-2013) - RP22 - 60

RP22\00006319.png

A-05
01



A0501

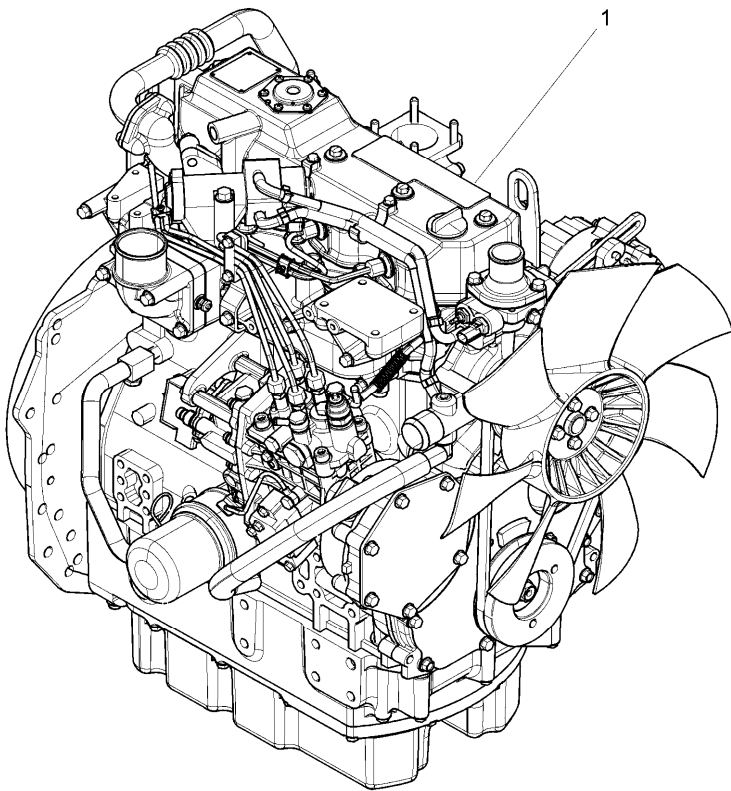
Engine assembly

1 3693746M91

44 kw

Inglese

1 Engine



Engine

Cx-I tier 3 (2007-2013) - RP22 - 60

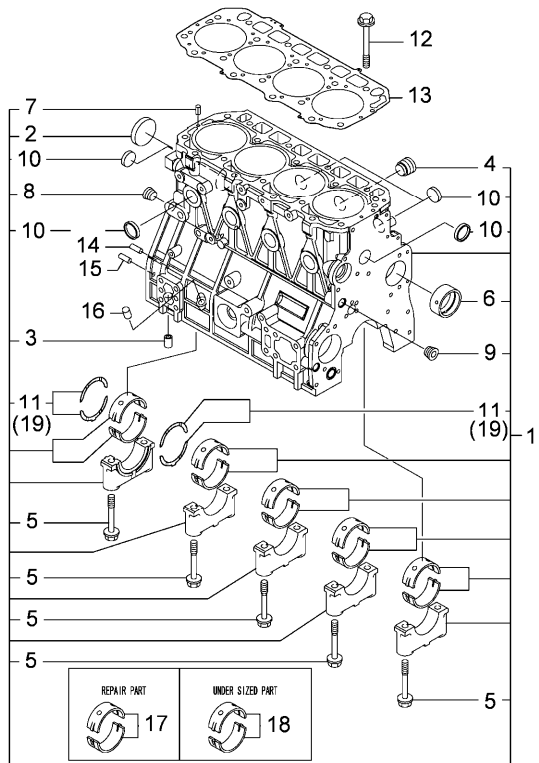
RP22\00006320.png

A-05
02



A0502

Cylinder block



- 1 4216318M91
- 2 3664567M1 ! 1
- 3 3664971M1 ! 1
- 4 3653796M1 ! 1
- 5 3664574M1 ! 1
- 6 3664576M1 ! 1
- 7 3653818M1 ! 1
- 8 3665018M1 ! 1
- 9 3665018M1 ! 1
- 10 3653889M1 ! 1
- 3653889M2(8)
- 11 3664578M1 ! 1
- 12 3664566M1
- 13 3679646M1
- 14 3653378M1 ! 1
- 15 3653378M1 ! 1
- 16 3677943M1 ! 1
- 17 4216426M1 ! 1
- 18 3664575M1 ! 1
- 3664575M2(5)
- 19 3664579M1 ! 1
- 3664579M2(2)

Inglese

- 1 Cylinder block
- 1 Plug
- 1 Head
- 1 Plug
- 10 Bolt
- 1 Bush
- 2 Pin
- 1 Plug
- 1 Plug
- 8 Plug
- 2 Bearing
- 18 Bolt
- 1 Gasket
- 2 Dowel
- 2 Dowel
- 1 Plug
- 5 Cuscinet
- 5 Cuscinet
- 2 Cuscinet

! This is a component of an assembly
● Replacement

Engine

Cx-I tier 3 (2007-2013) - RP22 - 60

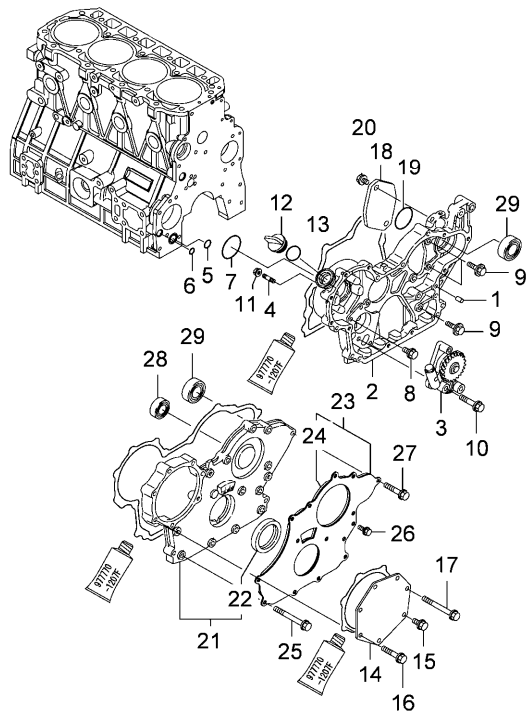
RP22\00006321.png

A-05
03



A0503

Timing gear and camshaft



- 1 3653378M1
- 2 4216427M1
- 3 3679650M1
- 4 3666904M1
- 5 3664669M1
- 6 3664670M1
- 7 3679653M1
- 8 3653858M1
- 9 3653859M1
- 10 3653863M1
- 11 3666906M1
- 12 3653315M1
- 13 3653835M1
- 14 3664966M1
- 15 3653859M1
- 16 3653863M1
- 17 3686498M1
- 18 4216428M1
- 19 3653839M1
- 20 3679654M1
- 21 4216431M1
- 22 4216432M1
- 23 3679655M1
- 24 3679656M1

● N.L.A.(1)

77x62x11

Inglese

- 4 Dowel
- 1 Housing
- 1 Pump
- 4 Stud
- 1 O ring
- 1 O ring
- 1 Ring
- 1 Bolt
- 3 Bolt
- 3 Bolt
- 4 Nut
- 1 Plug
- 1 O ring
- 1 Coperch.
- 1 Bolt
- 5 Bolt
- 1 Bolt
- 1 Coperch.
- 1 O ring
- 2 Bolt
- 1 Housing
- 1 Seal
- 1 Coperch.
- 1 Rubber sponge

<https://www.ebooklibonline.com>

Hello dear friend!

Thank you very much for reading.

Enter the link into your browser.

The full manual is available for immediate download.

<https://www.ebooklibonline.com>

Engine

Cx-I tier 3 (2007-2013) - RP22 - 60

RP22\00006321.png

A-05
03



A0503

Timing gear and camshaft

Inglese

25 3664449M1

26 3653858M1

27 3653862M1

28 3679651M1

29 3664667M1

 Replacement

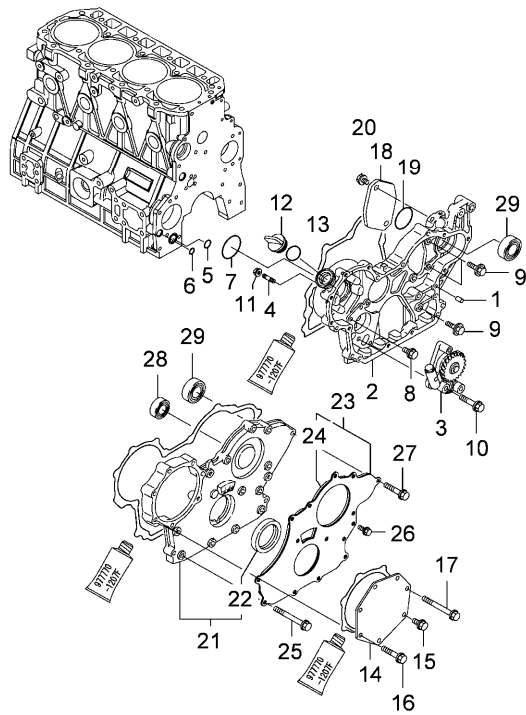
6 Bolt

3 Bolt

5 Bolt

1 Bearing roller

2 Cuscinet



Engine

Cx-I tier 3 (2007-2013) - RP22 - 60

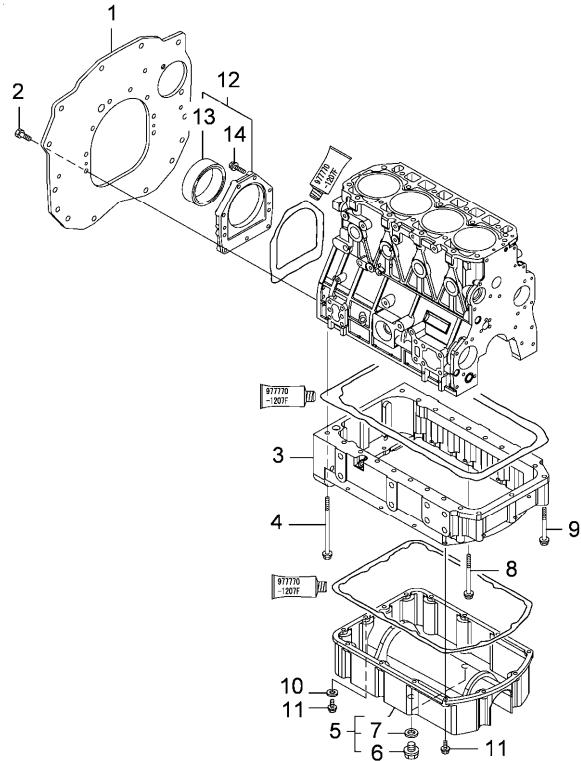
RP22\00006324.png

A-05
04



A0504

Lubricating oil sump



- 1 4216433M1
- 2 3666901M1
- 3 4216436M1
- 4 4216437M1
- 5 4216438M1
- 6 3653253M1
- 7 3653811M1
- 8 3678291M1
- 9 3664450M1
- 10 3653808M1
- 11 3653860M1
- 12 3664969M1
- 13 3664433M1
- 14 3666895M1

● 3678291M2(16)

● Replacement

Inglese

- 1 Seal
- 9 Bolt
- 1 Crankcase
- 2 Screw
- 1 Pan
- 2 Plug
- 2 Bush
- 16 Bolt
- 3 Bolt
- 2 Washer
- 14 Bolt
- 1 Support
- 1 Seal
- 9 Bolt

Engine

Cx-I tier 3 (2007-2013) - RP22 - 60

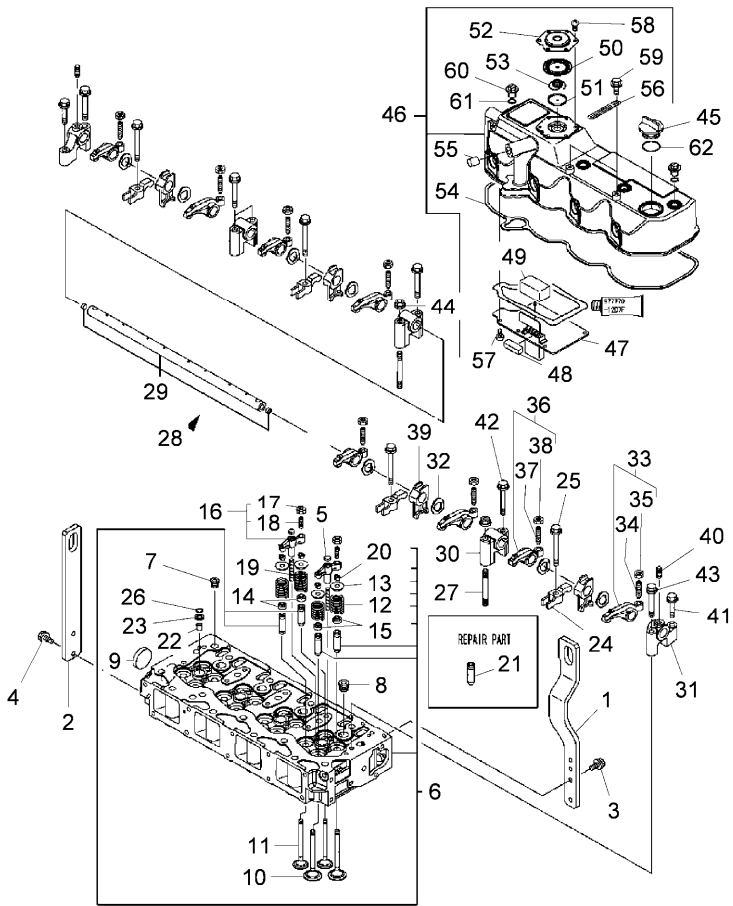
RP22\00006325.png

A-05
05



A0505

Cylinder head-rocker shaft



		Inglese			
1	4216439M1	1	Stirrup		
2	4216440M1	1	Stirrup		
3	3653859M1	2	Bolt		
4	3653859M1	2	Bolt		
5	3679659M1	!	6	8	Washer
6	4216456M1			1	Kit
7	3678308M1	!	6	1	Plug
8	3665018M1	!	6	4	Plug
9	3653890M1	!	6	1	Plug
10	3679663M1	!	6	8	Valve
11	3679664M1	!	6	8	Valve
12	3679665M1	!	6	16	Spring
13	3679666M1	!	6	16	Clip
14	4216158M1	!	6	8	Ring
15	3679667M1	!	6	8	Ring
16	3679669M1	!	6	8	Kit
17	3653444M1	!	6	8	Nut
18	3678003M1	!	6	8	Screw
19	3679662M1	!	6	8	Guide
20	3679670M1	!	6	16	Dowel
21	3679661M1			16	Guide
22	3677971M1	!	6	4	Guard
23	3653266M1	!	6	4	Washer
24	3679681M1			4	Clip

Engine

Cx-I tier 3 (2007-2013) - RP22 - 60

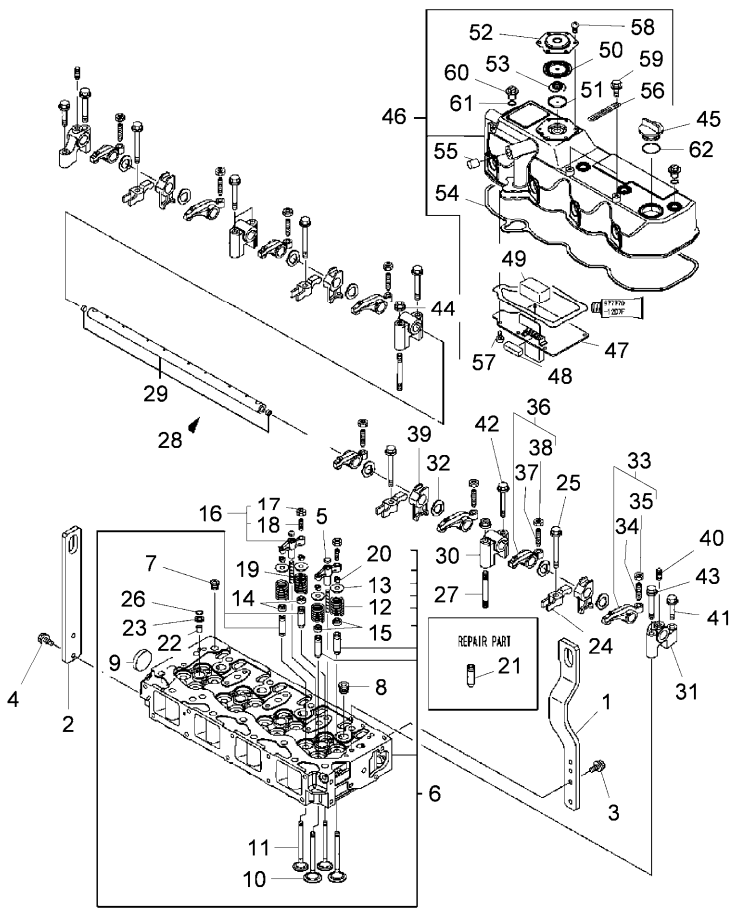
RP22\00006325.png

A-05
05



A0505

Cylinder head-rocker shaft



25	3678296M1		
26	3653831M1	!	6
27	3679671M1		
28	3679672M1		
29	3679673M1		
30	3679674M1		
31	3679675M1		
32	3679676M1		
33	3679677M1		
34	3653439M1	!	33
35	3653444M1	!	33
36	3679678M1		
37	3653439M1	!	36
38	3653444M1	!	36
39	3679679M1		
40	3679680M1		
41	3653862M1		
42	3653866M1		
43	3653866M1		
44	3666905M1		
45	3653315M1	!	46
46	3679682M1		
47	3679683M1	!	46
48	3679684M1	!	46

Inglese

4	Bolt
4	O ring
2	Bolt
1	Support
1	Shaft
3	Support
2	Support
8	Washer
4	Arm
4	Screw
4	Nut
4	Arm
4	Screw
4	Nut
4	Union
2	Stud
2	Bolt
4	Bolt
2	Bolt
2	Nut
1	Plug
1	Coperch.
1	Plate
1	Spacer

Engine

Cx-I tier 3 (2007-2013) - RP22 - 60

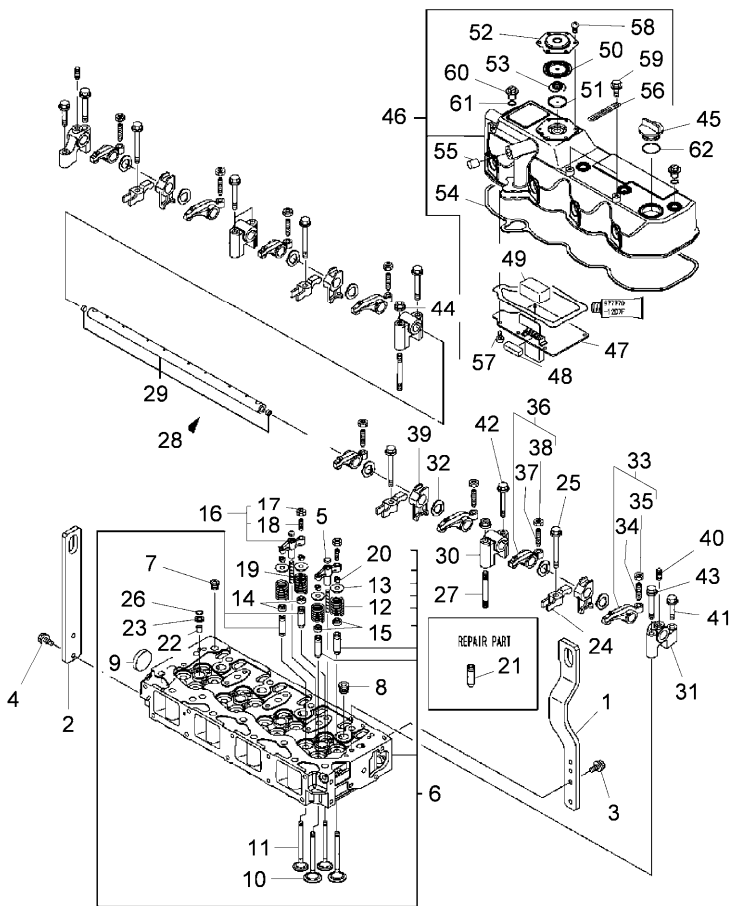
RP22\00006325.png

A-05
05



A0505

Cylinder head-rocker shaft



- 49 3679685M1 ! 46
- 50 3679686M1 ! 46
- 51 3679687M1 ! 46
- 52 3679688M1 ! 46
- 53 3679689M1 ! 46
- 54 4216472M1 ! 46
- 55 3679691M1 ! 46
- 56 4216457M1 ! 46
- 57 3665010M1 ! 46
- 58 3665010M1 ! 46
- 59 3679848M1 ! 46
- 60 3653317M1 ! 46
- 61 3653831M1 ! 46
- 62 3653835M1 ! 46

! This is a component of an assembly

Inglese

- 1 Spacer
- 1 Diaphragm
- 1 Plate
- 1 Plate
- 1 Spring
- 1 Gasket
- 1 Plug
- 2 Clamp
- 6 Screw
- 6 Screw
- 2 Bolt
- 4 Plug
- 4 O ring
- 1 O ring

Engine

Cx-I tier 3 (2007-2013) - RP22 - 60

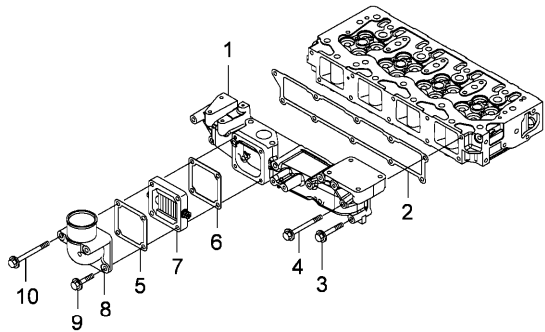
RP22\00006331.png

A-05
06



A0506

Induction manifold



- 1 4216458M1
- 2 3679693M1
- 3 3653865M1
- 4 3679984M1
- 5 3664375M1
- 6 3664403M1
- 7 4216459M1
- 8 3664376M1
- 9 3653862M1
- 10 3666896M1

Inglese

- 1 Manifold
- 1 Gasket
- 5 Bolt
- 5 Bolt
- 1 Gasket
- 1 Gasket
- 1 Heater
- 1 Elbow
- 2 Bolt
- 2 Bolt

Engine

Cx-I tier 3 (2007-2013) - RP22 - 60

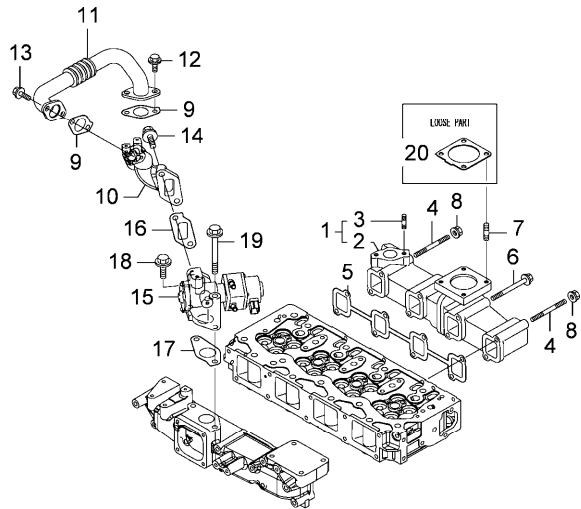
RP22\00006332.png

A-05
07



A0507

Exhaust manifold



			Inglese
1	4216623M91		1 Manifold
2	4216857M1	! 1	1 Manifold
3	3693926M1	! 1	2 Stud
4	4216858M1		2 Stud
5	3664598M1		1 Gasket
6	4216460M1		6 Heater
7	3653262M1		4 Bolt
8	3666905M1		2 Nut
9	4216471M1		2 Gasket
10	4216617M1		1 Duct
11	4216618M1		1 Tube assy
12	3653858M1		2 Bolt
13	3653858M1		2 Bolt
14	4216619M1		2 Screw
15	4216620M1		1 Valve
16	4216621M1		1 Gasket
17	4216622M1		1 Gasket
18	4216619M1		1 Screw
19	4216624M1		1 Screw
20	4216625M1		1 Gasket
!	This is a component of an assembly		

Engine

Cx-I tier 3 (2007-2013) - RP22 - 60

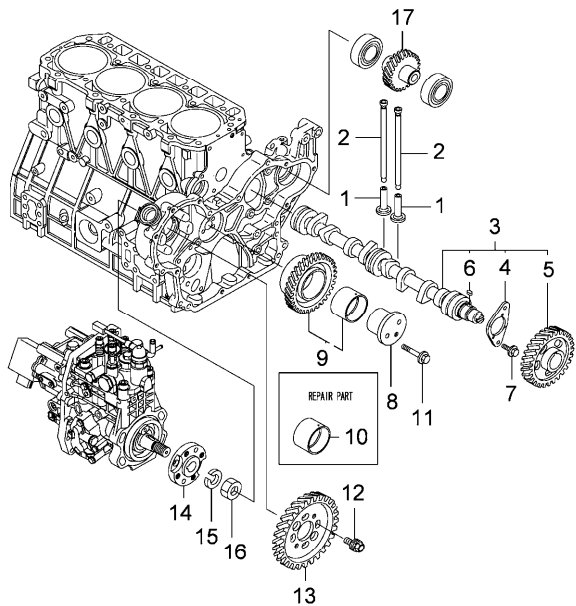
RP22\00006333.png

A-05
08



A0508

Camshaft



- 1 3653447M1
- 2 3679697M1
- 3 4216626M91
- 4 3653430M1 ! 3
- 5 4216627M1 ! 3
- 6 3653820M1 ! 3
- 7 3653858M1 ! 3
- 8 3679699M1
- 9 4216628M1
- 10 3653454M1
- 11 3653865M1
- 12 3679820M1
- 13 4216629M1
- 14 3679822M1
- 15 3679823M1
- 16 3679824M1
- 17 4216630M1

Inglese

- 8 Tappet
- 8 Rod
- 1 Shaft
- 1 Plate
- 1 Gear
- 1 Key
- 2 Bolt
- 1 Shaft
- 1 Gear
- 1 Bush
- 3 Bolt
- 4 Bolt
- 1 Gear
- 1 Flange
- 1 Spring
- 1 Nut
- 1 Gear

! This is a component of an assembly

Engine

Cx-I tier 3 (2007-2013) - RP22 - 60

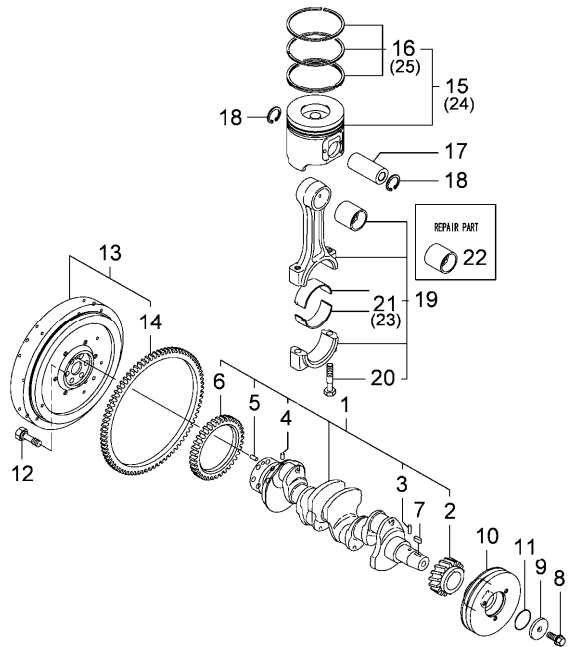
RP22\00006334.png

A-05
09



A0509

Crankshaft, pistons and connecting rods



			Inglese
1	4216749M91		1 Gear
2	3664656M1	! 1	1 Gear
3	3653308M1	! 1	1 Dowel
4	3653308M1	! 1	1 Dowel
5	3664396M1	! 1	1 Pin
6	3664982M1	! 1	1 Gear
7	3653820M1	! 1	1 Key
8	4216750M1		1 Screw
9	3664993M1		1 Washer
10	4216751M1		1 Pulley
11	3666890M1		1 O ring
12	3664395M1		6 Bolt
13	4216753M91		1 Flywheel
14	3664657M1	! 13	1 Gear
15	4216754M91		4 Piston
16	4216755M1	! 15	4 Ring
17	3664388M1		4 Pin
18	3665007M1		8 Ring
19	4216756M91		4 Conrod
20	3664660M1	! 19	8 Bolt
21	4216757M1	! 19	4 Bearing
	3664661M2(4)		
22	3664663M2	! 19	4 Bush
23	3664662M1	! 19	4 Cuscinet

Engine

Cx-I tier 3 (2007-2013) - RP22 - 60

RP22\00006334.png

A-05
09



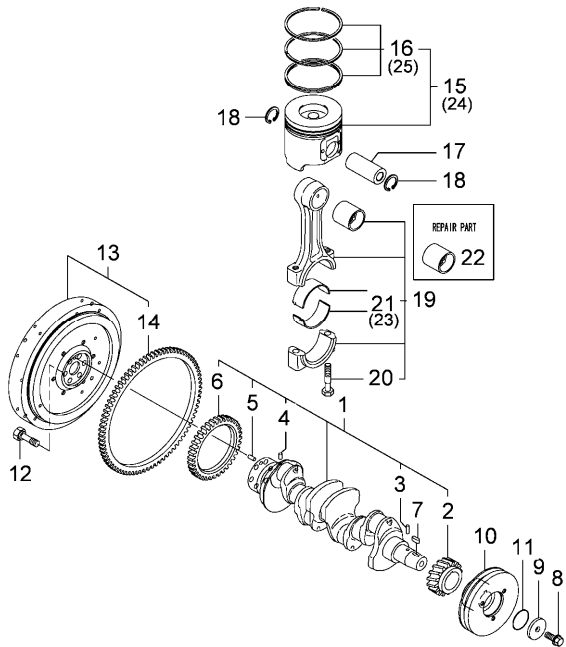
A0509

Crankshaft, pistons and connecting rods

Inglese

24	4216759M91	●	4216759M92(4)	4	Piston
			+0,25mm		
25	4216791M91	!	24	4	Kit
			+0,25mm		

! This is a component of an assembly
● Replacement



Engine

Cx-I tier 3 (2007-2013) - RP22 - 60

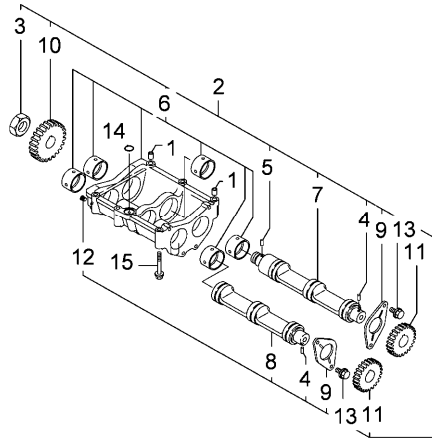
RP22\00006335.png

A-05
10



A0510

Rocker



- 1 3653790M1 ! 2
- 2 3679839M1
- 3 3664444M1 ! 2
- 4 3653308M1 ! 2
- 5 3653308M1 ! 2
- 6 3679832M1 ! 2
- 7 3664978M1 ! 2
- 8 3664979M1 ! 2
- 9 3664980M1 ! 2
- 10 3664983M1 ! 2
- 11 3664984M1 ! 2
- 12 3653827M1 ! 2
- 13 3653858M1 ! 2
- 14 3665020M1 ! 2
- 15 3653866M1 ! 2

Inglese

- 2 Bush
- 1 Balancer
- 1 Nut
- 2 Dowel
- 1 Dowel
- 1 Box
- 1 Shaft
- 1 Shaft
- 2 Cuscinet
- 1 Gear
- 2 Gear
- 1 Plug
- 4 Bolt
- 1 O ring
- 6 Bolt

! This is a component of an assembly

Engine

Cx-I tier 3 (2007-2013) - RP22 - 60

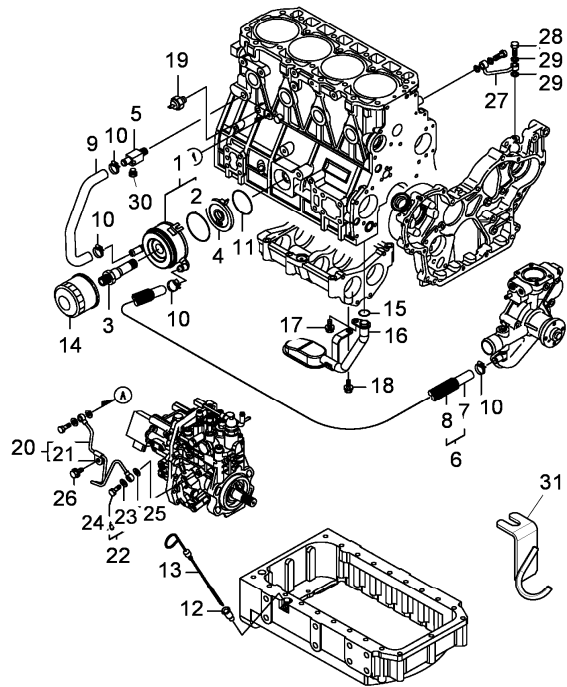
RP22\00006336.png

A-05
11



A0511

Lubricating oil pump and delivery housing



			Inglese
1	3679835M1		1 Exchanger
2	4216793M1	! 1	1 Ring
3	3679836M1		1 Bolt
4	4216794M1		1 Stirrup
5	3678027M1		1 Union
6	4216752M91		1 Tube assy
7	4216758M1		1 Coupler
8	4216859M1		1 Coupler
9	3679838M1		1 Pipe
10	3678302M1		4 Clamp
11	3679831M1		1 Ring
12	3664386M1		1 Guide
13	4216860M1		1 Rod
14	4216048M1	● 3678034M2(1)	1 Filter
15	3664669M1		1 O ring
16	4216861M91		1 Pipe
17	3653857M1		1 Bolt
18	3653859M1		1 Bolt
19	4216862M1		1 Switch, indirect
20	4216863M91		1 Tube assy
21	3679834M1	! 20	1 Support
22	3678024M1		2 Bolt
23	3653808M1	! 22	2 Washer
24	3665013M1	! 22	2 Bolt

Engine

Cx-I tier 3 (2007-2013) - RP22 - 60

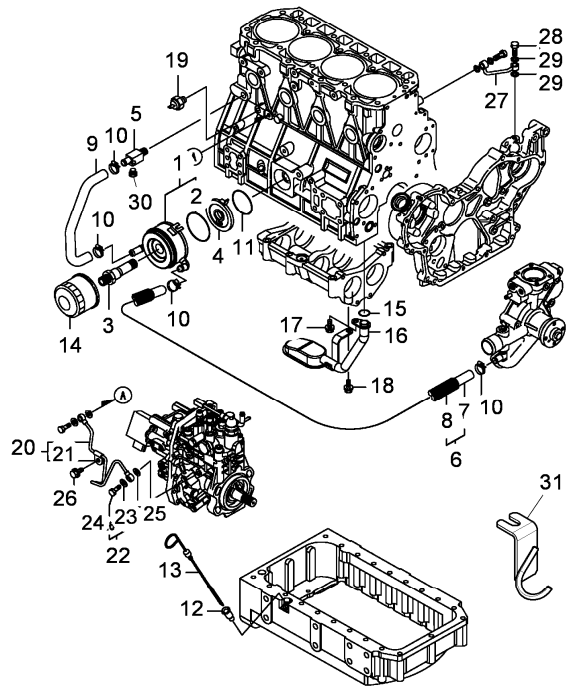
RP22\00006336.png

A-05
11



A0511

Lubricating oil pump and delivery housing



25 3653808M1

26 3653856M1

27 3664963M1

28 3664364M1

29 3653808M1

30 3653797M1

31 4213510M91

! This is a component of an assembly

● Replacement

Inglese

2 Washer

1 Bolt

1 Pipe

2 Bolt

4 Washer

1 Plug

1 Stirrup

Engine

Cx-I tier 3 (2007-2013) - RP22 - 60

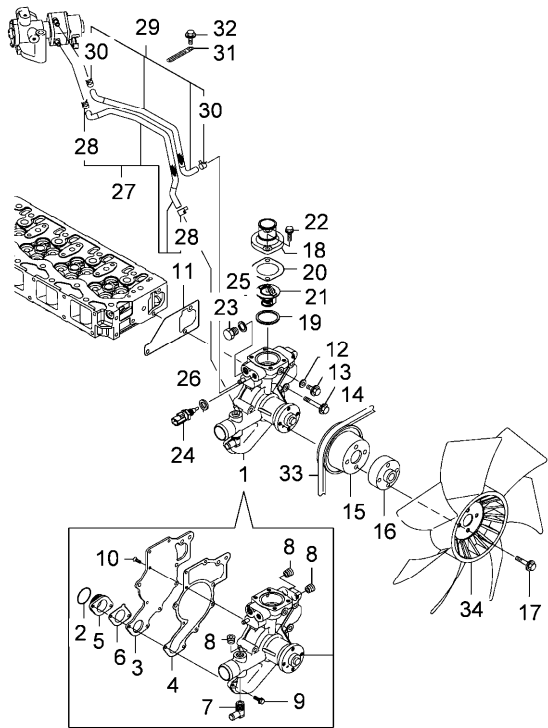
RP22\00006337.png

A-05
12



A0512

Water pump and thermostat



- 1 4216864M91
- 2 4216865M1 ! 1
- 3 4216866M1 ! 1
- 4 4216867M1 ! 1
- 5 4216868M1 ! 1
- 6 4216869M1 ! 1
- 7 4216870M1 ! 1
- 8 3678297M1 ! 1
- 9 3653854M1 ! 1
- 10 4216871M1 ! 1
- 11 4216872M1
- 12 3653822M1
- 13 3653856M1
- 14 3653865M1
- 15 4216873M1
- 16 4216874M1
- 17 3653862M1
- 18 4216875M1
- 19 3664399M1
- 20 4216880M1
- 21 3664400M1
- 22 3653860M1
- 23 4216881M1
- 24 4216882M1

Inglese

- 1 Pump
- 1 Ring
- 1 Coperch.
- 1 Gasket
- 1 Flange
- 1 Flange
- 1 Filler
- 3 Plug
- 2 Bolt
- 6 Screw
- 1 Gasket
- 1 Gasket
- 1 Bolt
- 3 Bolt
- 1 Pulley
- 1 Hub
- 4 Bolt
- 1 Cover
- 1 Gasket
- 1 Gasket
- 1 Thermostat
- 2 Bolt
- 1 Plug
- 1 Bulb

Engine

Cx-I tier 3 (2007-2013) - RP22 - 60

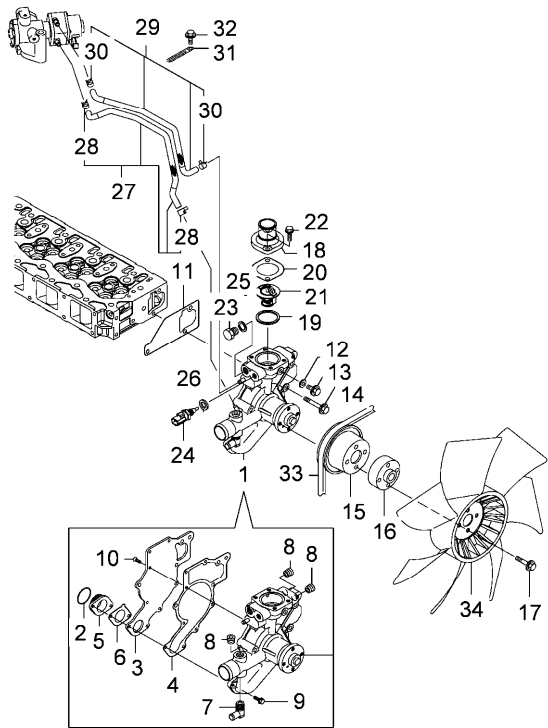
RP22\00006337.png

A-05
12



A0512

Water pump and thermostat



25 3653324M1

26 3653810M1

27 4216885M91

28 4216886M1 ! 27

29 4216887M91

30 4216886M1 ! 29

31 4216457M1

32 3679848M1

33 4216890M1

34 4216891M1

! This is a component of an assembly

Inglese

1 Gasket

1 Washer

1 Pipe

2 Clamp

1 Pipe

2 Clamp

1 Clamp

1 Bolt

1 Belt

1 Fan

Engine

Cx-I tier 3 (2007-2013) - RP22 - 60

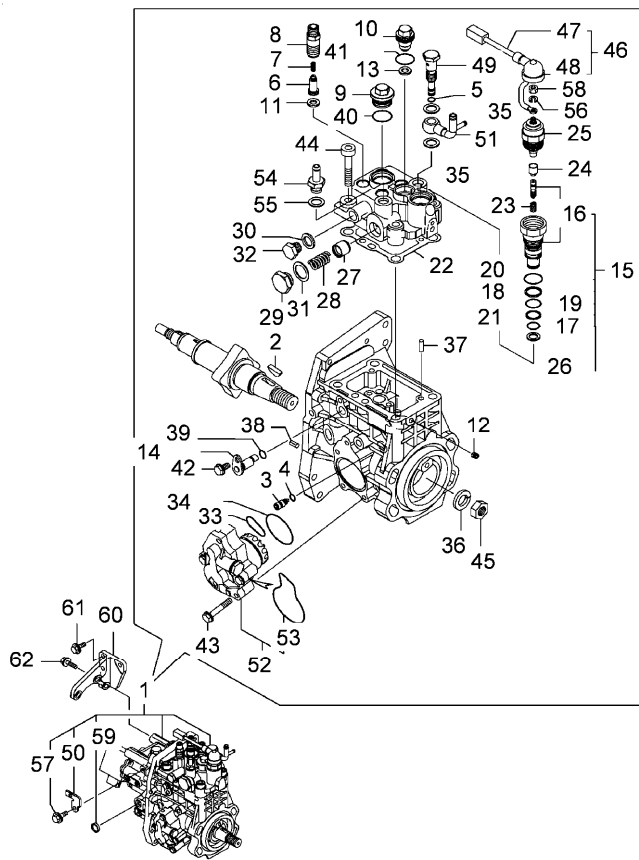
RP22\00006338.png

A-05
13



A0513

Injection pump assy



		Inglese	
1	4216892M91		1 Injection pump
2	4216893M1	!	1 Key
3	4216894M1	!	1 Switch
		●	4215971M1(1)
4	3679822M1	!	1 Flange
5	3679822M1	!	1 Flange
6	4216895M1	!	4 Valve
7	4216896M1	!	4 Spring
		●	4215979M1(4)
8	4216897M1	!	4 Nipple
9	4216898M1	!	1 Plug
		●	4215989M1(1)
10	4216899M1	!	1 Plug
11	4216900M1	!	4 Washer
		●	4218274M1(1)
12	4216901M1	!	1 Plug
		●	4215993M1(1)
13	4216902M1	!	1 Washer
14	4216903M1	!	1 Lever
		●	4215997M1(1)
15	4216904M91	!	1 Kit
16	4216905M91	!	1 Hourmeter
17	4216929M1	!	1 O ring
		●	4216012M1(1)

Engine

Cx-I tier 3 (2007-2013) - RP22 - 60

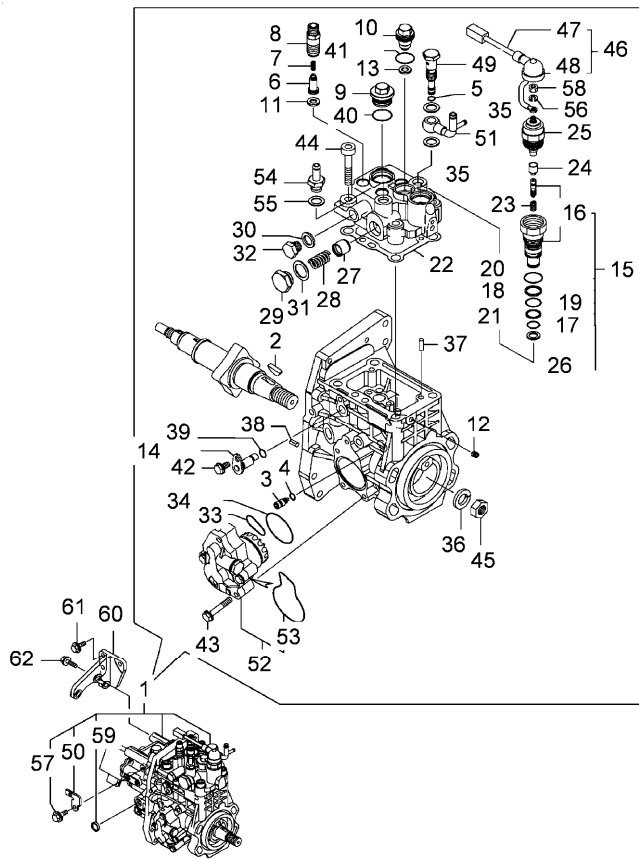
RP22\00006338.png

A-05
13



A0513

Injection pump assy



				Inglese
18	4216930M1	!	15	1 Washer
19	4216952M1	●	4216016M1(1)	1 O ring
20	4216923M1	!	15	1 Ring
21	4216910M1	●	4216020M1(1)	1 Ring
22	4216911M1	!	15	1 Ring
23	4216912M1	●	4216025M1(1)	1 Gasket
24	4216913M1	!	1	1 Spring
25	4216914M1	!	1	1 Cover
26	4208763M1	!	1	1 Solenoid
27	4216915M1	!	1	1 Gasket
28	4216916M1	●	4216093M1(1)	1 Piston
29	4216917M1	!	1	1 Spring
30	3653810M1	●	4216094M1(1)	1 Plug
31	4208895M1	!	1	1 Plug
32	4216918M1	●	4216095M1(1)	1 Washer
33	4216919M1	!	1	1 Gasket
		●	4216097M1(1)	1 Plug
		!	1	1 O ring
		●	4216080M1(1)	

Engine

Cx-I tier 3 (2007-2013) - RP22 - 60

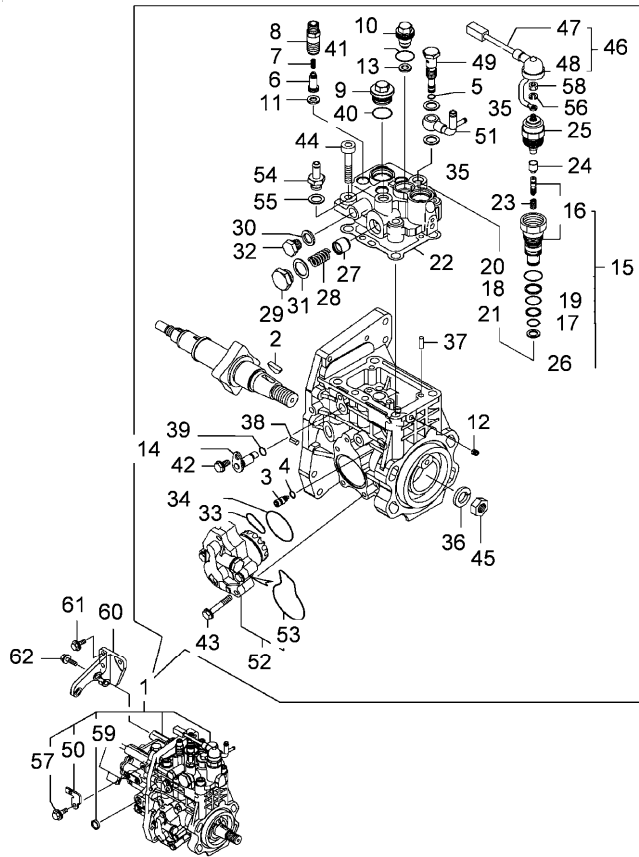
RP22\00006338.png

A-05
13



A0513

Injection pump assy



				Inglese
34	4216920M1	!	1	1 O ring
		●	4216278M1(1)	
35	3653810M1	!	1	2 Washer
36	3679823M1	!	1	1 Spring
37	4216922M1	!	1	2 Pin
38	3653817M1	!	1	2 Dowel
39	3665019M1	!	1	1 O ring
40	4216923M1	!	1	1 Ring
		●	4216020M1(1)	
41	4216924M1	!	1	1 Ring
42	3653851M1	!	1	1 Bolt
43	3680228M1	!	1	4 Bolt
44	4216925M1	!	1	4 Screw
45	3679824M1	!	1	1 Nut
46	4216926M91	!	1	1 Harness
47	4216927M91	!	1	1 Harness
		●	4216926M91(1)	
48	4216928M1	!	1	1 Cotter
49	4208761M1	!	1	1 Gasket
50	4216954M1			1 Stirrup
51	4216955M1	!	1	1 Eye
		●	4215966M1(1)	
52	4216989M91	!	1	1 Pump
		●	4216078M91(1)	

Engine

Cx-I tier 3 (2007-2013) - RP22 - 60

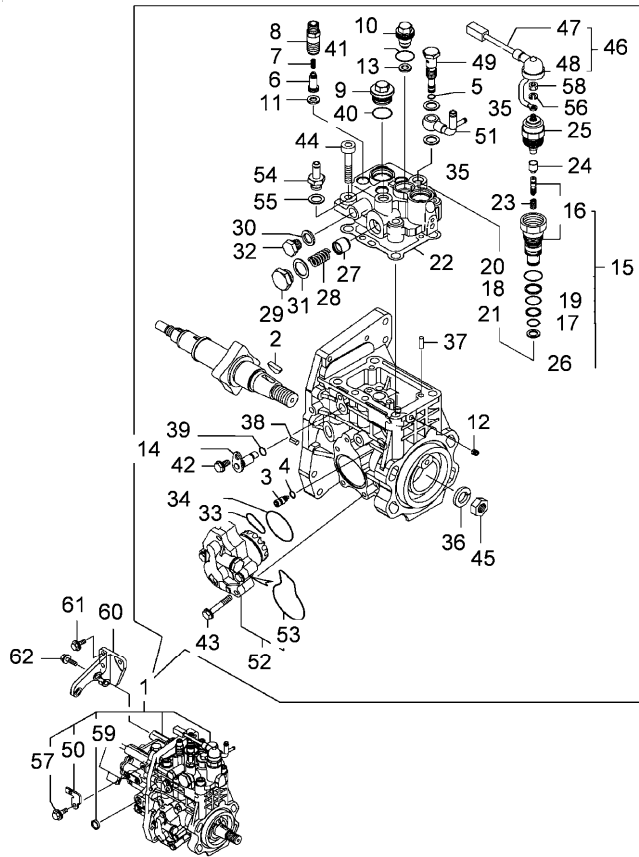
RP22\00006338.png

A-05
13



A0513

Injection pump assy



		Inglese		
53	4216966M1	!	52	1 Ring
		●	4216079M1(1)	
54	4216967M1	!	1	1 Coupler
		●	4216098M1(1)	
55	3653810M1	!	1	1 Washer
56	3653812M1	!	1	1 Spring
57	3679848M1			1 Bolt
58	4216973M1	!	1	1 Nut
59	4216974M1			1 Plug
60	4216975M1			1 Stirrup
61	3653859M1			3 Bolt
62	3666895M1			3 Bolt

! This is a component of an assembly
 ● Replacement



Suggest:

For more complete manuals. Please go to the home page.

<https://www.ebooklibonline.com>

If the above button click is invalid. Please download this document first, and then click the above link to download the complete manual.

Thank you so much for reading

Engine

Cx-I tier 3 (2007-2013) - RP22 - 60

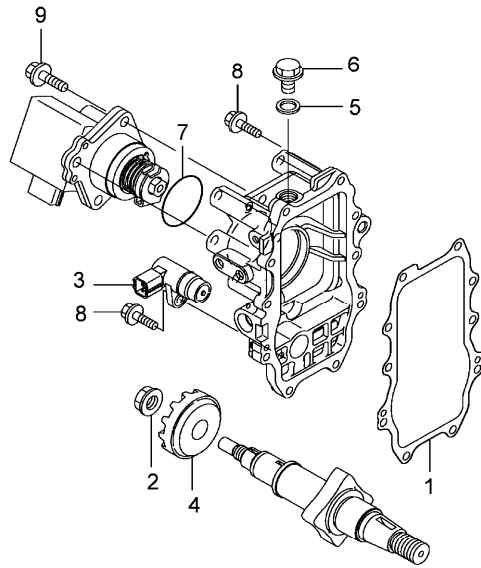
RP22\00006340.png

A-05
14



A0514

Fuel cut off



- 1 4216977M1
- 2 4216978M1
- 3 4216979M1 A
- 4 4216980M1
- 5 3653824M1
- 6 4216981M1 ● 4216097M1(1)
- 7 4216982M1
- 8 3681395M1
- 9 3653860M1

● Replacement
A Motor speed

Inglese

- 1 Gasket
- 1 Nut
- 1 Sensor
- 1 Ferrule
- 1 Gasket
- 1 Plug
- 1 O ring
- 10 Bolt
- 3 Bolt

Engine

Cx-I tier 3 (2007-2013) - RP22 - 60

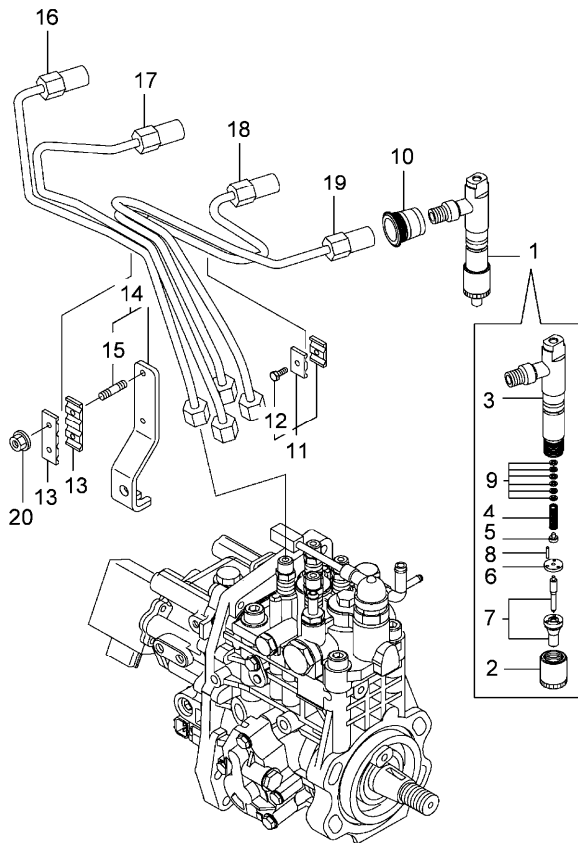
RP22\00006341.png

**A-05
15**



A0515

Fuel injection valve



- | | | | |
|----|------------|---|--------------|
| 1 | 4216984M91 | | |
| 2 | 3653255M1 | ! | 1 |
| 3 | 4216985M1 | ! | 1 |
| 4 | 3653256M1 | ! | 1 |
| 5 | 3653257M1 | ! | 1 |
| 6 | 3653258M1 | ! | 1 |
| 7 | 4216986M1 | ! | 1 |
| 8 | 3653259M1 | ! | 1 |
| 9 | 3653260M1 | ! | 1 |
| | ● | | 3653260M2(4) |
| 10 | 3678002M1 | | |
| 11 | 3653263M1 | | |
| 12 | 3653465M1 | ! | 11 |
| 13 | 4216987M1 | | |
| 14 | 4216988M91 | | |
| 15 | 3653873M1 | ! | 14 |
| 16 | 4216990M91 | | |
| 17 | 4216991M91 | | |
| 18 | 4216992M91 | | |
| 19 | 4216993M91 | | |
| 20 | 3653876M1 | | |

Inglese

- | | |
|---|-----------|
| 4 | Nozzle |
| 4 | Nut |
| 4 | Nozzle |
| 4 | Spring |
| 4 | Nameplate |
| 4 | Retainer |
| 4 | Nozzle |
| 8 | Pin |
| 4 | Kit |
| 4 | Pipe |
| 1 | Clip |
| 1 | Bolt |
| 2 | Stirrup |
| 1 | Stirrup |
| 2 | Stud |
| 1 | Tube assy |
| 1 | Tube assy |
| 1 | Tube assy |
| 1 | Tube assy |
| 2 | Nut |

! This is a component of an assembly
 ● Replacement

<https://www.ebooklibonline.com>

Hello dear friend!

Thank you very much for reading.

Enter the link into your browser.

The full manual is available for immediate download.

<https://www.ebooklibonline.com>