

Engine perkins 74.9 kw

Cx xtrashift tier 3 restyling (2009-2011) - RPC4 - 110

RPC4\00005987.png

**A-05
01**



A0501

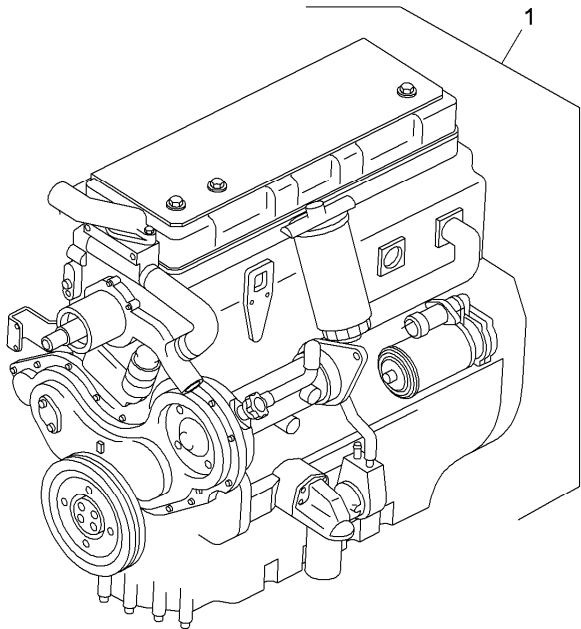
Engine assembly

1 4216957M91

74.9 kw - perkins
nm75230

Inglese

1 Engine



Engine perkins 74.9 kw

Cx xtrashift tier 3 restyling (2009-2011) - RPC4 - 110

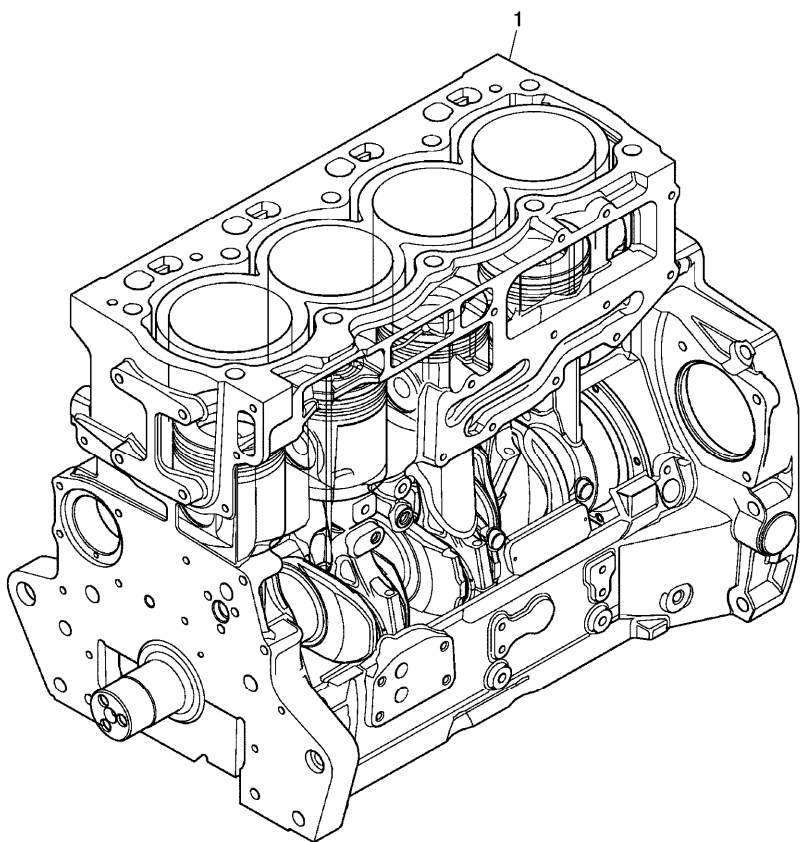
RPC4\000015070.png

**A-05
015**



A05015

Short engine



Inglese

- 1 NM40008 U056074 t 1 Short engine
- 3115A141(1),
32186146(3), NM4
- 1 NM40019 U056075 t 1 Short engine
- From serial or engine number
- Up to serial or engine number
- Replacement

Engine perkins 74.9 kw

Cx xtrashift tier 3 restyling (2009-2011) - RPC4 - 110

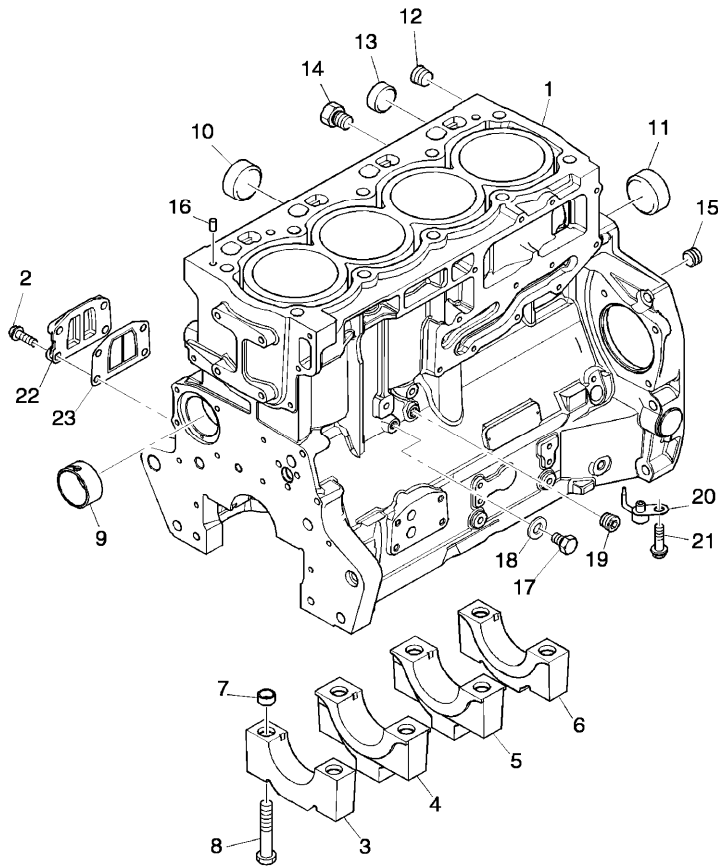
RPC4\000022252.png

A-05
02



A0502

Cylinders block



		Inglese
1	ZZ50321	● ZZ50325(1) 1 Block
2	2314H034	4 Screw
3		! 1 1 Bearing cup
		➡ Ref.n.1
4		! 1 1 Bearing cup
		➡ Ref.n.1
5		! 1 1 Bearing cup
		➡ Ref.n.1
6		! 1 1 Bearing cup
		➡ Ref.n.1
7	33142111	10 Manicott
8	32166329	10 Screw
9	3112D071	● 3112D075(1) 1 Bush
10	3241A011	2 Plug
11	3241A012	1 Plug
12	0650588	1 Plug
13	0650710	1 Plug
14	32141316	1 Plug
15	3212P008	1 Plug
16	3244A009	2 Dowel
17	2314C049	1 Screw
18	2415D053	1 Washer
19	0650594	1 Plug
20	2113A003	4 Atomiser
21	2314F001	4 Screw

<https://www.ebooklibonline.com>

Hello dear friend!

Thank you very much for reading.

Enter the link into your browser.

The full manual is available for immediate download.

<https://www.ebooklibonline.com>

Engine perkins 74.9 kw

Cx xtrashift tier 3 restyling (2009-2011) - RPC4 - 110

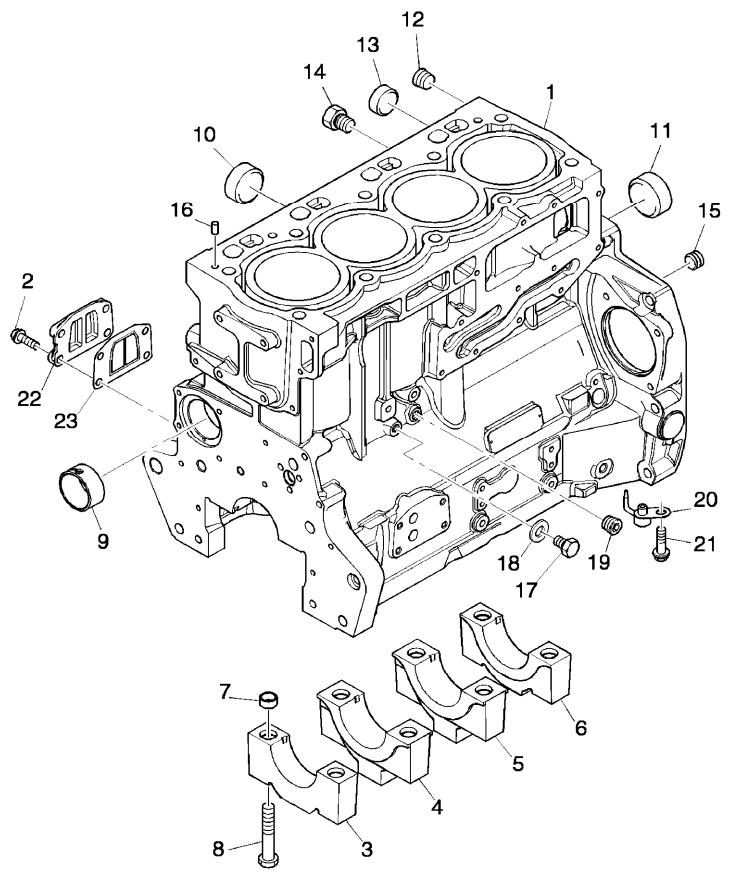
RPC4\000022252.png

A-05
02



A0502

Cylinders block



Inglese

- 22 3753A071
 - 23 3688A041
 - ! This is a component of an assembly
 - ▣ Not serviced, order
 - Replacement
- 1 Coperch.
 - 1 Gasket

Engine perkins 74.9 kw

Cx xtrashift tier 3 restyling (2009-2011) - RPC4 - 110

RPC4\000015074.png

A-05
03



A0503

End cover

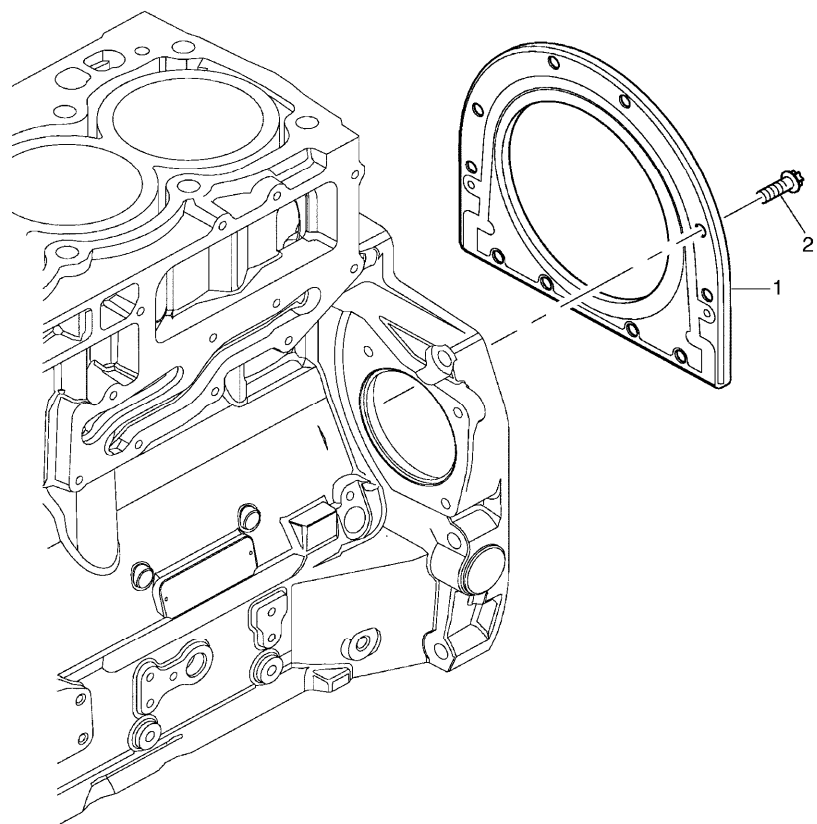
Inglese

1 2418F704

2 3211C002

1 Housing

10 Screw



Engine perkins 74.9 kw

Cx xtrashift tier 3 restyling (2009-2011) - RPC4 - 110

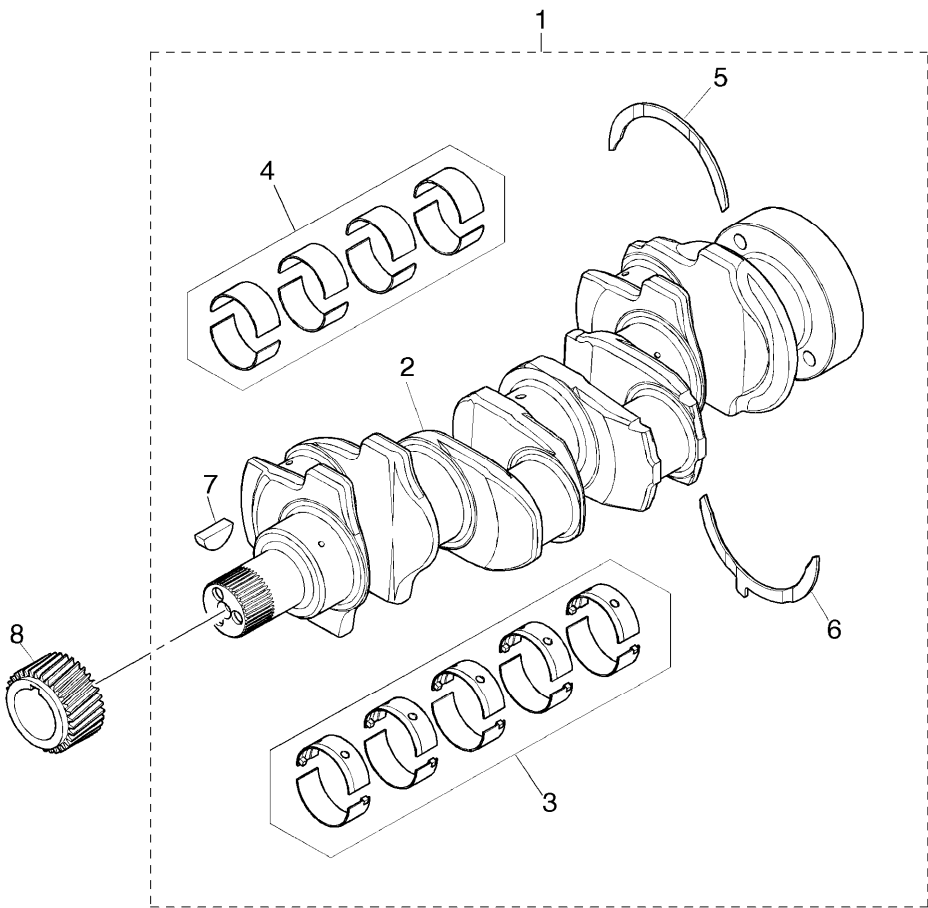
RPC4\000022253.png

**A-05
04**



A0504

Crankshaft



		Inglese	
1	ZZ90222	➔ U491476 t	1 Kit
		● ZZ90239(1)	
1	ZZ90237	➔ U491477 t	1 Shaft
2		! 1	1 Crankshaft
		➔ Ref.n.1	
3	U5MB0018	! 1	1 Kit
		● U5MB0033(1)	
3	U5MB0018A	! 1	1 Kit
		⚡ 0.010 mm	
		● U5MB0033A(1)	
3	U5MB0018B	! 1	1 Kit
		⚡ 0.020 mm	
		● U5MB0033B(1)	
3	U5MB0018C	! 1	1 Kit
		⚡ 0.030 mm	
		● N.L.A.(1)	
4	T400002	! 1	1 Kit
		➔ U491477 t	
		● T410927(1)	
4	U5ME0026	! 1	1 Kit
		➔ U491476 t	
		● U5ME0034(1)	
4	U5ME0026A	! 1	1 Kit
		⚡ 0.25 mm	
		➔ U491476 t	
		● U5ME0034A(1)	

Engine perkins 74.9 kw

Cx xtrashift tier 3 restyling (2009-2011) - RPC4 - 110

RPC4\000022253.png

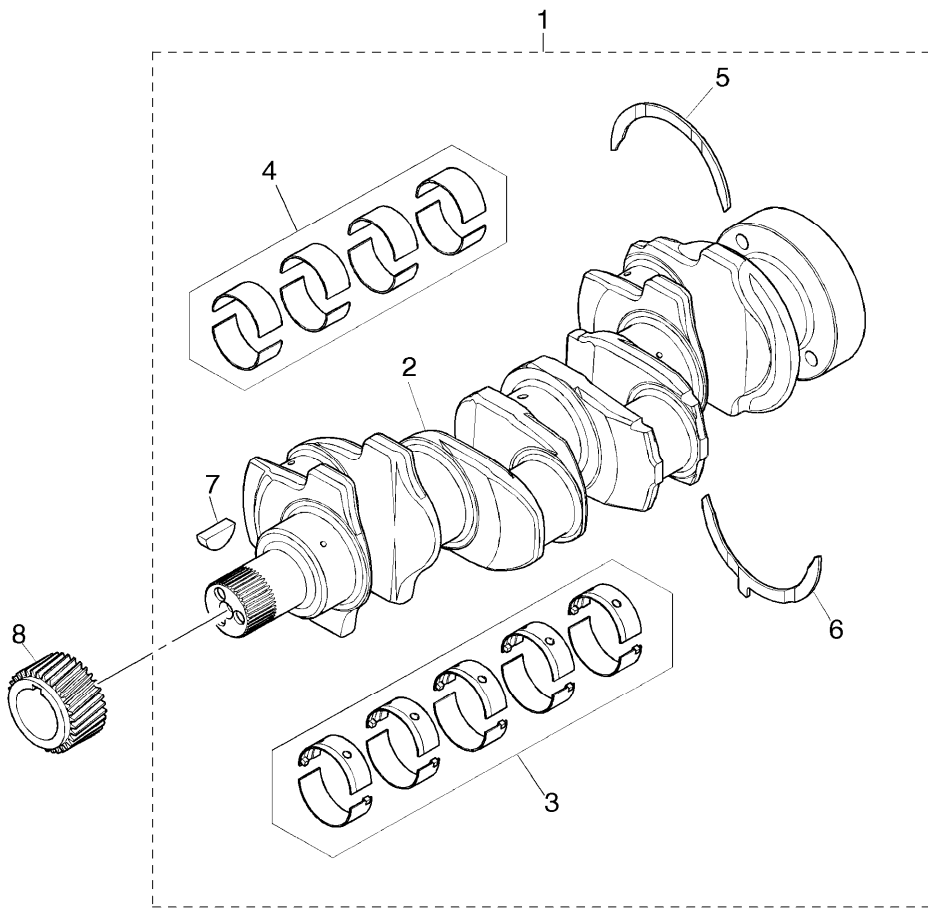
**A-05
04**



A0504

Crankshaft

Inglese



4	U5ME0026B	!	1	1 Kit
		⚡	0.50 mm	
		➔	U491476 t	
		●	U5ME0034B(1)	
4	U5ME0026C	!	1	1 Kit
		⚡	0.75 mm	
		➔	U491476 t	
		●	U5ME0034C(1)	
5	31137312	!	1	2 Ring
		⚡	0.007 mm	
5	31137551	!	1	2 Washer
6	31137322	!	1	2 Ring
		⚡	0.007 mm	
6	31137561	!	1	2 Washer
7	0500012	!	1	1 Key
8	3117C221	!	1	1 Gear

- ! This is a component of an assembly
- ➔ From serial or engine number
- ➕ Up to serial or engine number
- ⚡ Not serviced, order
- ⚡ Shim
- Replacement

Engine perkins 74.9 kw

Cx xtrashift tier 3 restyling (2009-2011) - RPC4 - 110

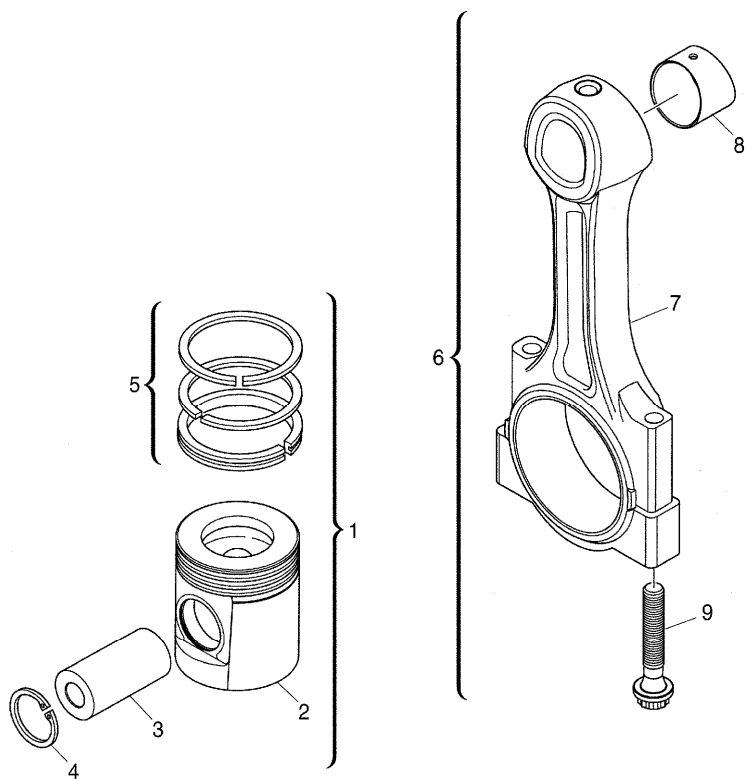
RPC4\000020562.png

A-05
05



A0505

Pistons and connecting rods



			Inglese
1	U5PR0062	Std	4 Kit
1	U5PR0062B	+0,5 mm	4 Kit
2		!	1 Piston
		➡	Ref.n.1
3		!	1 Piston
		➡	Ref.n.1
4	2721332	!	2 Ring
5	UPRK0005	!	1 Kit
6	4115C311	➡	4 Kit
		A	
6	4115C312	➡	4 Kit
		B	
6	4115C313	➡	4 Kit
		C	
6	4115C314	➡	4 Kit
		D	
6	4115C315	➡	4 Kit
		E	
6	4115C316	➡	4 Kit
		F	
6	4115C361	➡	4 Conrod
		A	
6	4115C362	➡	4 Conrod
		B	
6	4115C363	➡	4 Conrod
		C	

Engine perkins 74.9 kw

Cx xtrashift tier 3 restyling (2009-2011) - RPC4 - 110

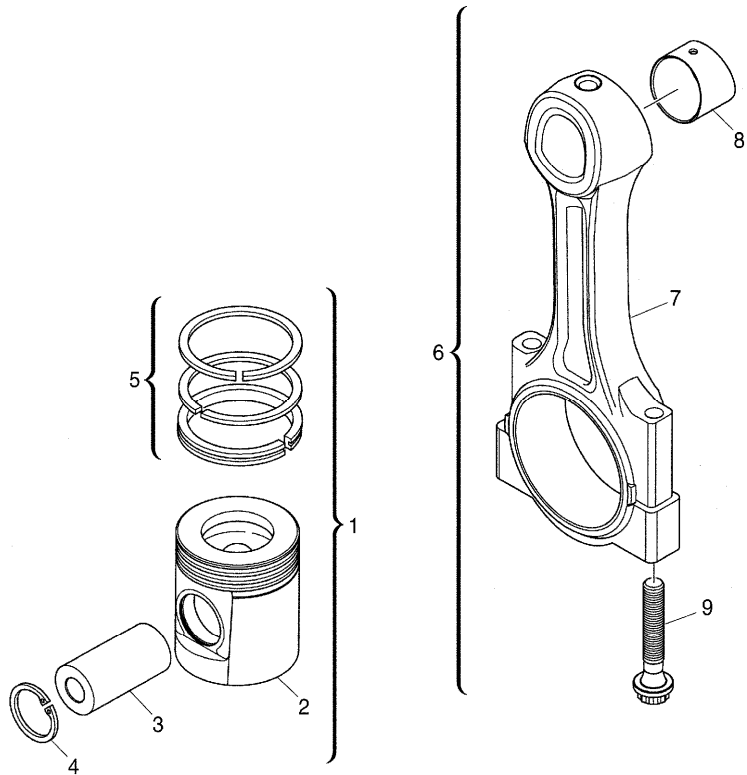
RPC4\000020562.png

**A-05
05**



A0505

Pistons and connecting rods



		Inglese	
6	4115C364	➡ U056075 t D	4 Conrod
6	4115C365	➡ U056075 t E	4 Conrod
6	4115C366	➡ U056075 t F	4 Conrod
7		! 6 ➡ Ref.n.6	1 Conrod
8	3112A005	! 6	1 Bush
9	3212V003	! 6 ➡ U056074 t	2 Screw
9	T400001	! 6 ➡ U056075 t	2 Screw

- ! This is a component of an assembly
- ➡ From serial or engine number
- ➡ Up to serial or engine number
- ➡ Not serviced, order
- A Red
- B Orange
- C White
- D Green
- E Purple
- F Blue

Engine perkins 74.9 kw

Cx xtrashift tier 3 restyling (2009-2011) - RPC4 - 110

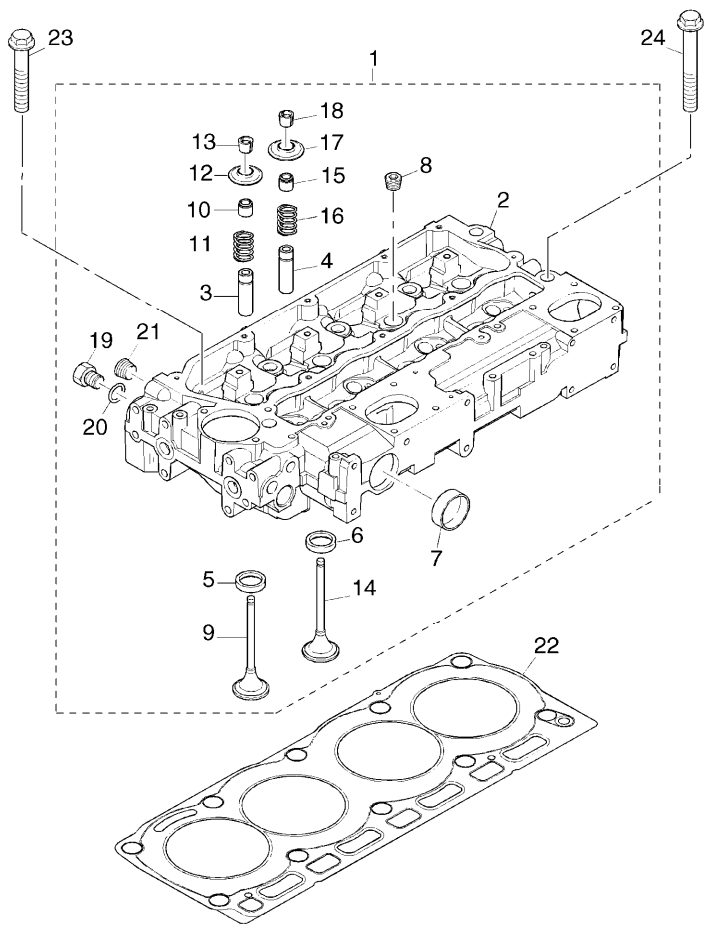
RPC4\000022254.png

**A-05
06**



A0506

Cylinder head



1 ZZ80280

2 ! 1

➡ Ref.n.1

3 3313A012 ! 1

4 3313A012 ! 1

5 3314A221 ! 1

6 3314A231 ! 1

7 32416117 ! 1

8 0650588 ! 1

9 3142H101 ! 1

10 2418M519 ! 1

A

11 3174A031 ! 1

● T417479(4)

12 3342A021 ! 1

13 2714A002 ! 1

14 3142A171 ! 1

15 2418M517 ! 1

B

16 3174A031 ! 1

● T417479(4)

17 3342A021 ! 1

18 2714A002 ! 1

19 3278A006 ! 1

20 2415H003 ! 1

Inglese

1 Cylinder head

1 Cylinder head

4 Insert

4 Insert

4 Insert

4 Insert

2 Plug

4 Plug

4 Valve

4 Ring

4 Spring

4 Coperch.

8 Collar

4 Valve

4 Ring

4 Spring

4 Coperch.

8 Collar

1 Plug

1 Ring

Engine perkins 74.9 kw

Cx xtrashift tier 3 restyling (2009-2011) - RPC4 - 110

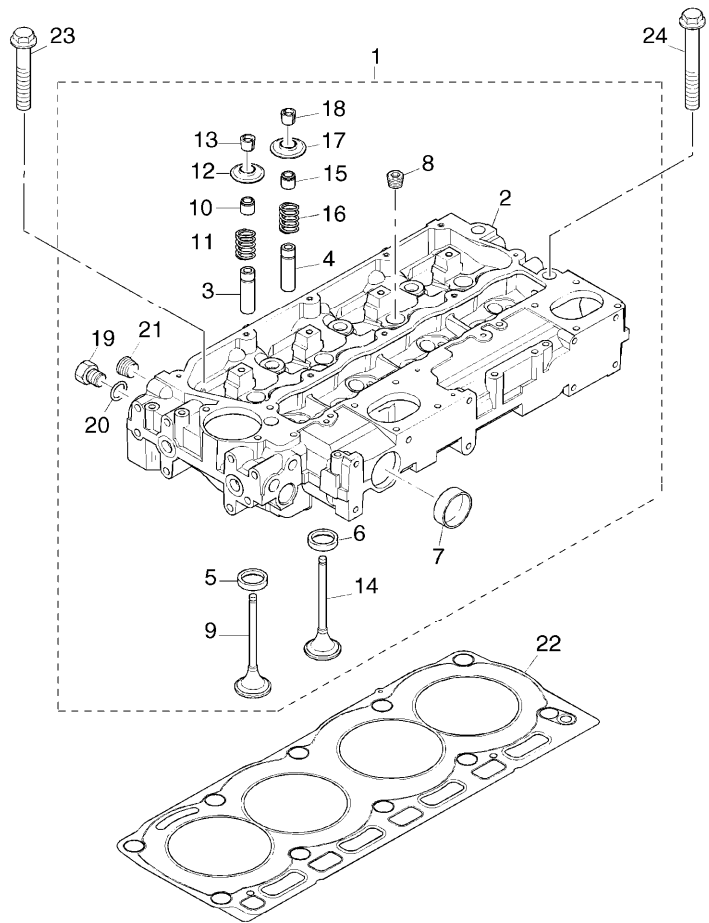
RPC4\000022254.png

A-05
06



A0506

Cylinder head



21 2431154 ! 1

22 3681E051

23 3218A011

24 3218A012

! This is a component of an assembly

Not serviced, order

Replacement

A Green

B Brown

Inglese

2 Plug

1 Gasket

7 Screw

3 Screw

Engine perkins 74.9 kw

Cx xtrashift tier 3 restyling (2009-2011) - RPC4 - 110

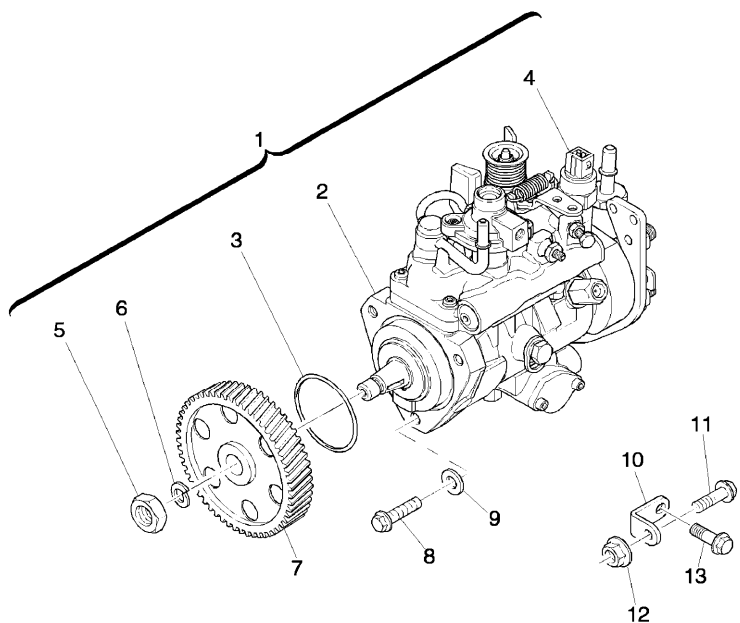
RPC4\000022255.png

A-05
07



A0507

Injection pump assy



1 2644C347/22

2 ! 1

➡ Ref.n.1

3 26420318 ! 1

4 26420469 ! 1

5 2318A108 ! 1

6 K134AF01 ! 1

7 3117L261

8 2314H004

9 2411D008

10 3641A007

11 2314H003

12 2318A603

13 2314J002

! This is a component of an assembly

➡ Not serviced, order

Inglese

1 Pump

1 Pump

1 Ring

1 Solenoid

1 Nut

1 Washer

1 Gear

3 Screw

3 Washer

1 Stirrup

1 Screw

1 Nut

1 Screw

Engine perkins 74.9 kw

Cx xtrashift tier 3 restyling (2009-2011) - RPC4 - 110

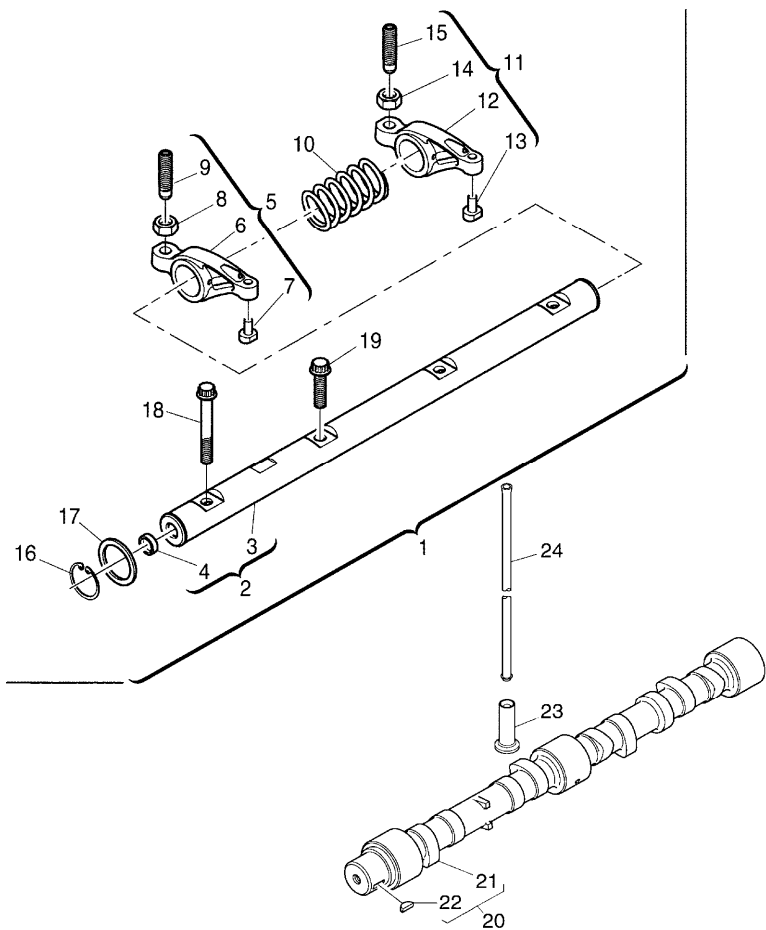
RPC4\000015075.png

**A-05
08**



A0508

Rocker shaft



		Inglese
1	4115R613	1 Axle
2	4115R703	! 1 Shaft
3		! 2 1 Axe
4	2485A104	! 2 2 Plug
5	4115R319	! 1 4 Lever
6		! 5 1 Rocker
7		! 5 1 Pad
8	3331A006	! 5 1 Nut
9	3211C004	! 5 1 Screw
10	3174A015	! 1 3 Spring
11	4115R318	! 1 4 Lever
12		! 11 1 Rocker
13		! 11 1 Pad
14	3331A006	! 11 1 Nut
15	3211C004	! 11 1 Screw
16	2722A022	! 1 2 Ring
17	2134A502	! 1 2 Washer
18	2316A901	! 1 1 Screw
19	2316A902	! 1 3 Screw
20	4112K035	! 4112K078(1) 1 Shaft

Engine perkins 74.9 kw

Cx xtrashift tier 3 restyling (2009-2011) - RPC4 - 110

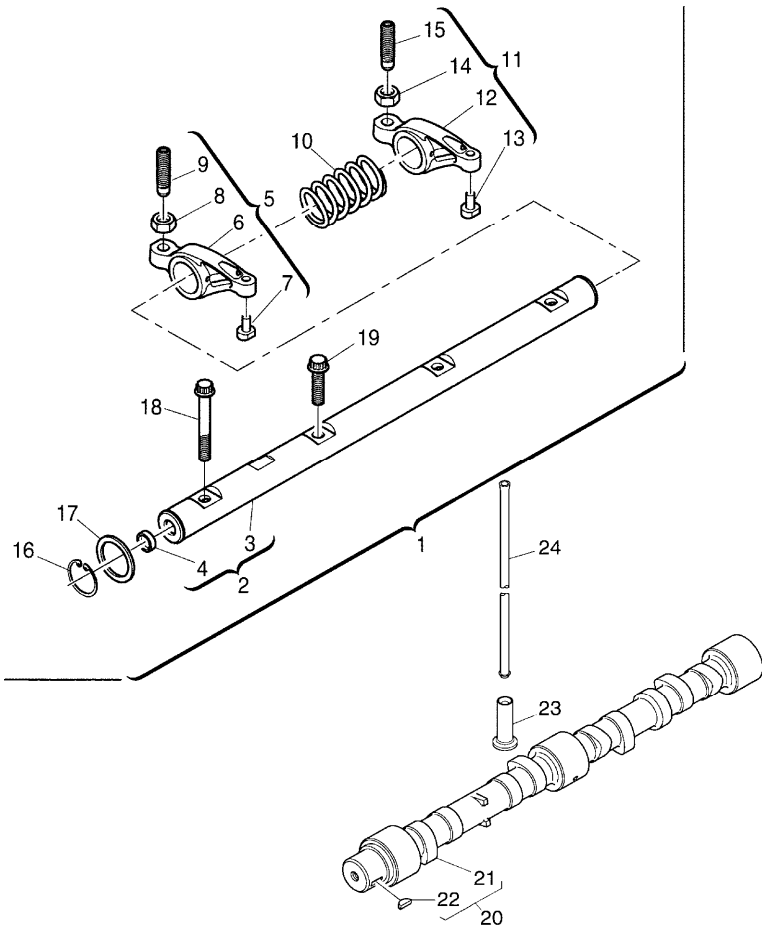
RPC4\000015075.png

A-05
08



A0508

Rocker shaft



Inglese

- | | | | | |
|----|----------|----------|---------|----------|
| 21 | ! | 20 | 1 Shaft | |
| | ➡ | Ref.n.20 | | |
| 22 | 0500012 | ! | 20 | 1 Key |
| 23 | 3142U061 | | | 8 Tappet |
| 24 | 3142V011 | | | 8 Rod |
- ! This is a component of an assembly
➡ Not serviced, order
● Replacement

Engine perkins 74.9 kw

Cx xtrashift tier 3 restyling (2009-2011) - RPC4 - 110

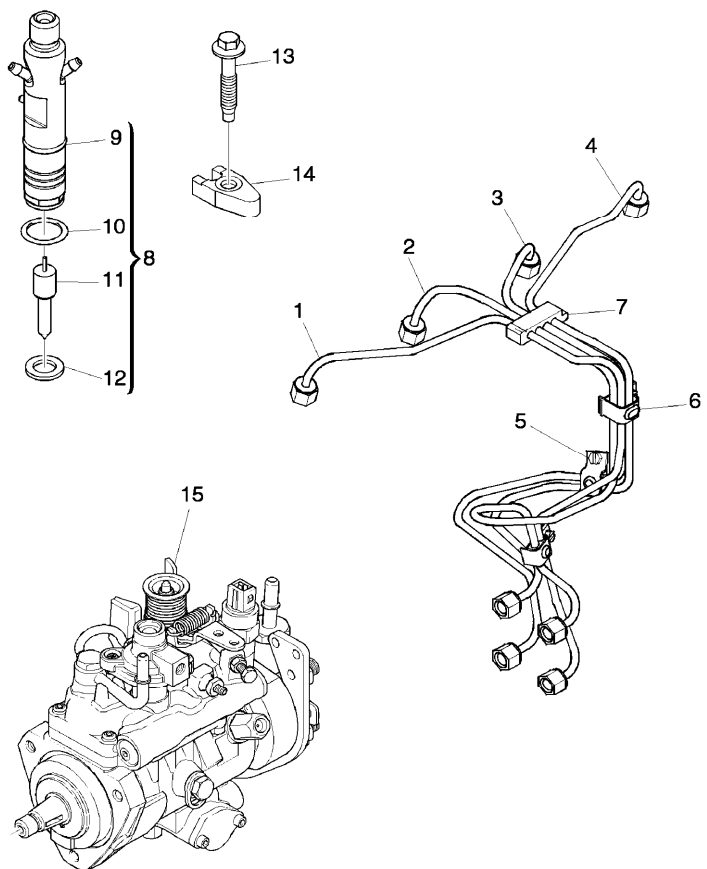
RPC4\000022256.png

**A-05
09**



A0509

Fuel injection equipment (diesel)



		Inglese
1	3525A101	1 Pipe
2	3525A102	1 Pipe
3	3525A103	1 Pipe
4	3525A104	1 Pipe
5	2481Y011	2 Clip
6	2481Y012	1 Clip
7	2646E019	1 Clip
8	2645K025	4 Nozzle
9	!	8
	➡	Ref.n.8
10	26460064	!
		8
11	!	8
	➡	Ref.n.8
12	L311FF02	!
		8
		1 Washer
13	2314W009	4 Screw
14	3751A241	4 Clamp
15	⦿	A-05 07 1
!	This is a component of an assembly	
⦿	See page - reference number	
➡	Not serviced, order	

Engine perkins 74.9 kw

Cx xtrashift tier 3 restyling (2009-2011) - RPC4 - 110

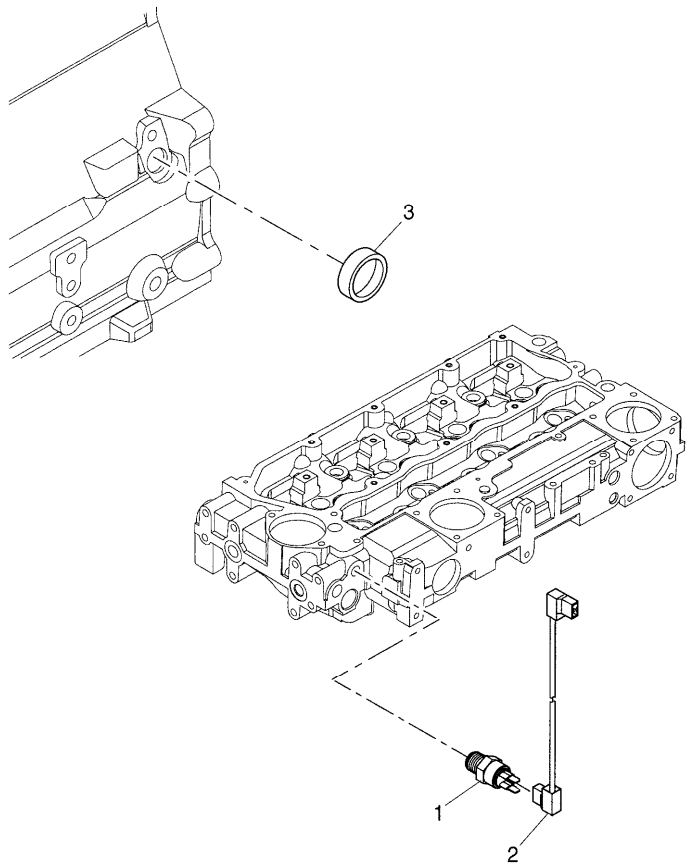
RPC4\000020530.png

A-05
10



A0510

Sensor pickup



- 1 2848A123
- 2 3161C017
- 3 2485A109

Inglese

- 1 Sensor
- 1 Cable
- 1 Plug

Engine perkins 74.9 kw

Cx xtrashift tier 3 restyling (2009-2011) - RPC4 - 110

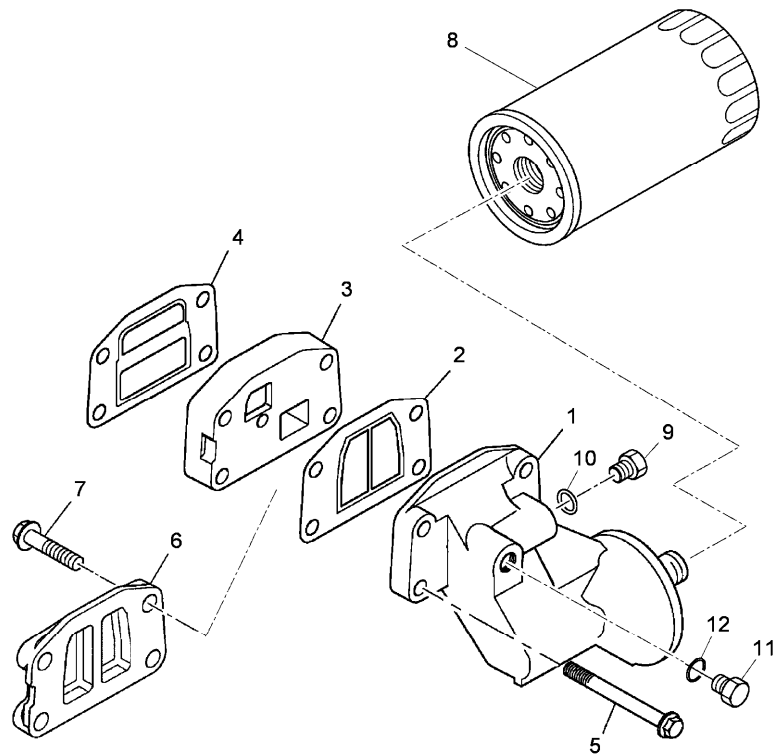
RPC4\00007097.png

A-05
11



A0511

Lube oil filters



- 1 3773A071
- 2 3688A041
- 3 3773A081
- 4 3688A039
- 5 2314H038
- 6 3753A071
- 7 2314H034
- 8 701899A1
- 9 3278A004
- 10 2415H002
- 11 3278A007
- 12 2415H009

Inglese

- 1 Head
- 1 Gasket
- 1 Adaptor
- 1 Gasket
- 4 Screw
- 1 Coperch.
- 4 Screw
- 1 Oil filter
- 1 Plug
- 1 Ring
- 1 Plug
- 1 Ring

Engine perkins 74.9 kw

Cx xtrashift tier 3 restyling (2009-2011) - RPC4 - 110

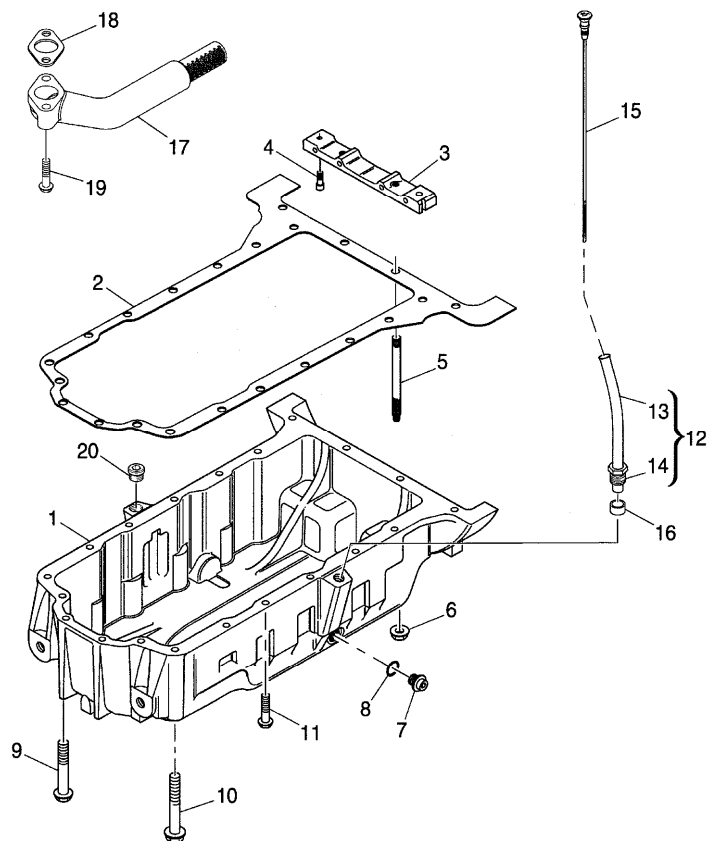
RPC4\000014129.png

A-05
12



A0512

Oil sump



- 1 3717E261
- 2 3681K036
- 3 3627P041
- 4 2311D039
- 5 3211P013
- 6 2318A603
- 7 32186405
- 8 2415715
- 9 2314H023
- 10 2314H022
- 11 2314H015
- 12 3577A125
- 13
- 14 3353D005
- 15 3178C088
- 16 33812116
- 17 3765A111
- 18 36832137
- 19 2314H006
- 20 2431A016

● 2314H052(1)

➡ Ref.n.12

! 12

- ! This is a component of an assembly
- ➡ Not serviced, order
- Replacement

Inglese

- 1 Sump
- 1 Gasket
- 1 Crosspiece
- 2 Screw
- 2 Stud
- 2 Nut
- 2 Plug
- 2 Ring
- 5 Screw
- 1 Screw
- 12 Screw
- 1 Pipe
- 1 Pipe
- 1 Nut
- 1 Rod
- 1 Olive
- 1 Pipe
- 1 Gasket
- 2 Screw
- 1 Plug

Engine perkins 74.9 kw

Cx xtrashift tier 3 restyling (2009-2011) - RPC4 - 110

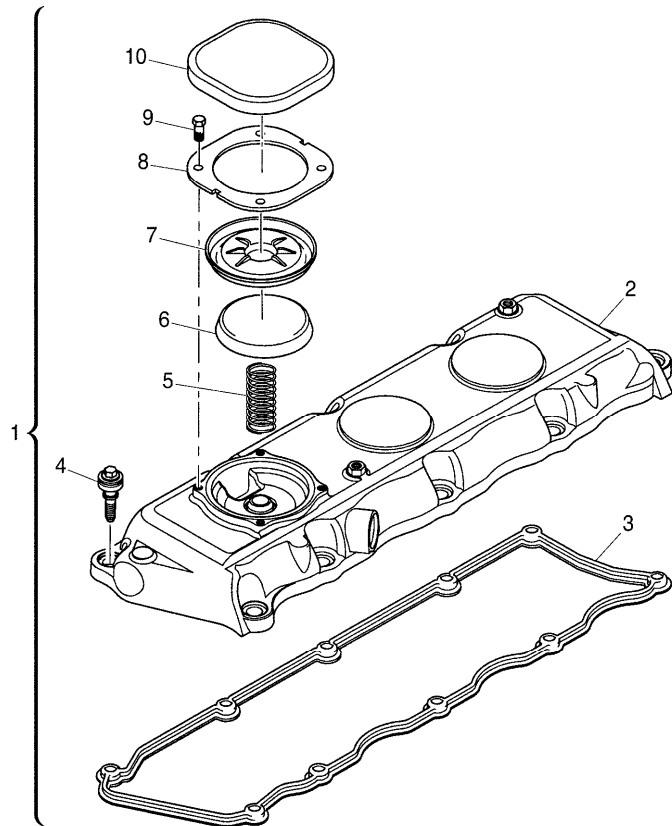
RPC4\000020533.png

A-05
13



A0513

Cylinder head cover



				Inglese
1	4142X325	●	T417478(1)	1 Coperch.
2		!	1	1 Cover
3	3681A055	➡	Ref.n.1	
4		!	1	1 Gasket
5	3174A017	➡	Ref.n.1	10 Screw
6	3788A002	!	1	1 Spring
7	3789A001	!	1	1 Cap
8	3615A009	!	1	1 Diaphragm
9	2151A001	!	1	1 Plate
10	3788A003	!	1	4 Screw
		!		1 Cap

! This is a component of an assembly
➡ Not serviced, order
● Replacement

Engine perkins 74.9 kw

Cx xtrashift tier 3 restyling (2009-2011) - RPC4 - 110

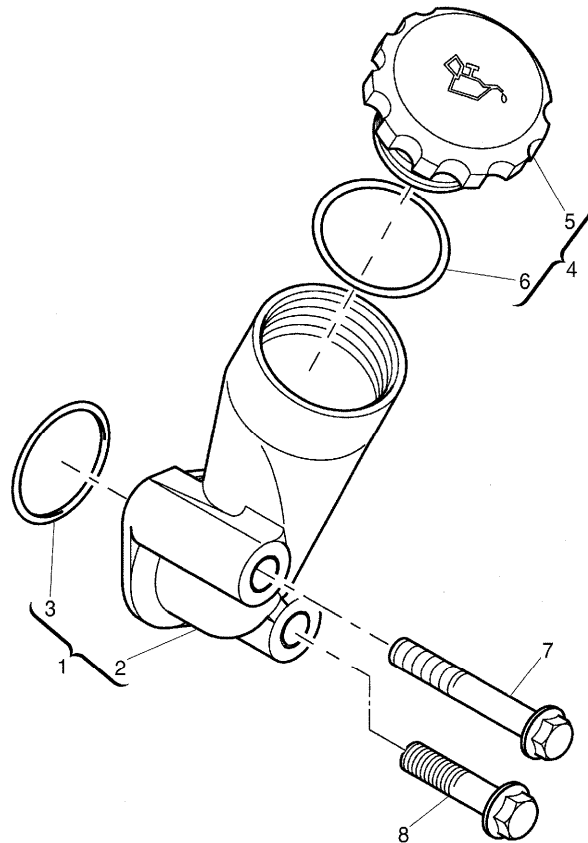
RPC4\000020589.png

A-05
14



A0514

Filler



			Inglese
1	4134C019	● N.L.S.(1)	1 Filler
2		! 1	1 Body
		➡ Ref.n.1	
3	2415B121	! 1	1 O ring
4	4142X098	! 1	1 Plug
5		! 4	1 Plug
		➡ Ref.n.4	
6	2415633	! 4	1 O ring
7	2314K161		1 Screw
8	2314H008		1 Screw

- ! This is a component of an assembly
- ➡ Not serviced, order
- Replacement

Engine perkins 74.9 kw

Cx xtrashift tier 3 restyling (2009-2011) - RPC4 - 110

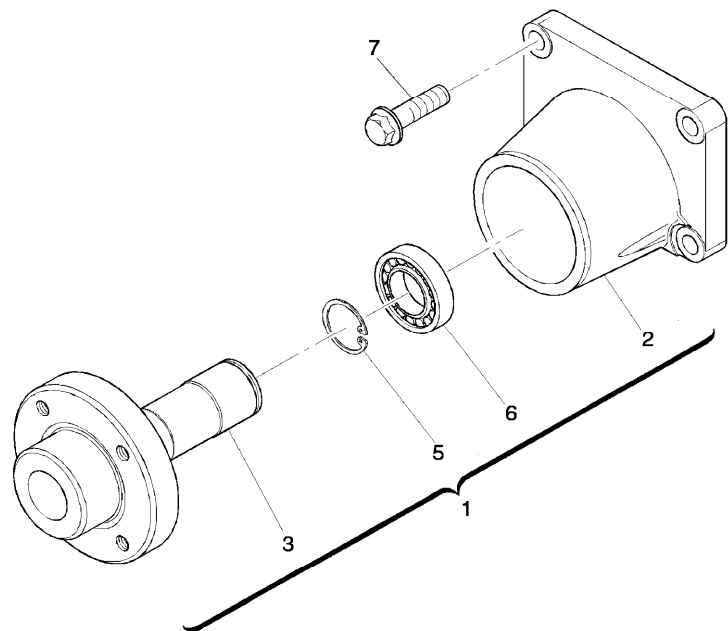
RPC4\000022257.png

**A-05
15**



A0515

Fan's support



- 1 4113K007
- 2 ! 1
- 3 ! 1
- 4 ! 1
- 5 2722A022 ! 1
- 6 ! 1
- 7 2314J005
- ! This is a component of an assembly
- ▣ Not serviced, order

Inglese

- 1 Stirrup
- 1 Stirrup
- 1 Hub
- 1 Spacer
- 1 Ring
- 2 Bearing
- 4 Screw

Engine perkins 74.9 kw

Cx xtrashift tier 3 restyling (2009-2011) - RPC4 - 110

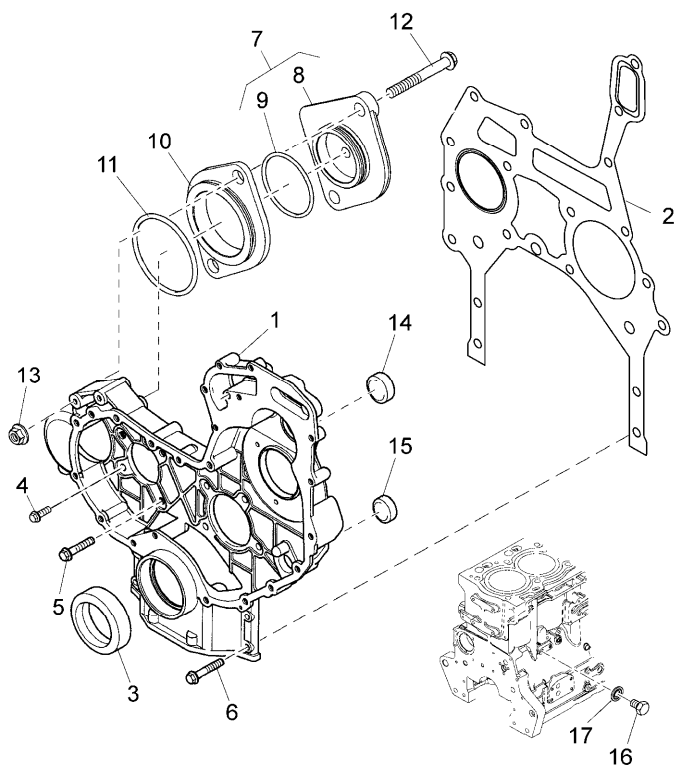
RPC4\000015081.png

**A-05
16**



A0516

Gasket sets



		Inglese
1	3716C581	1 Housing
2	3681P053	1 Gasket
3	2418F437	1 Gasket
4	2314H003	6 Screw
5	2314H006	2 Screw
6	2314H034	4 Screw
7	4148K012	1 Plate
8	!	7
	➡	Ref.n.7
9	2415H515	! 7
		1 Ring
10	3617A021	1 Disc
11	2415H516	1 O ring
12	2314J014	2 Screw
13	2318A604	2 Nut
14	2485A124	1 Plug
15	2485A124	1 Plug
16	2314C049	1 Screw
17	2415D053	1 Washer

! This is a component of an assembly

➡ Not serviced, order

Engine perkins 74.9 kw

Cx xtrashift tier 3 restyling (2009-2011) - RPC4 - 110

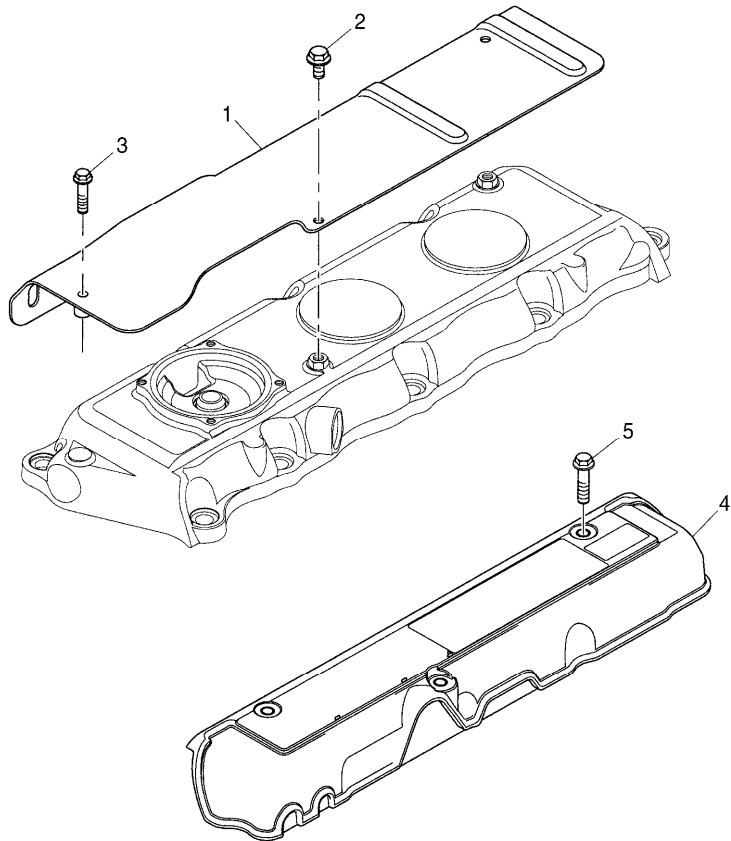
RPC4\000020537.png

A-05
17



A0517

Cylinder head cover



- 1 3812A026
- 2 2314F001
- 3 2314F006
- 4 3788N003
- 5 2314F003

Inglese

- 1 Heatshield
- 2 Screw
- 1 Screw
- 1 Cover
- 3 Screw

Engine perkins 74.9 kw

Cx xtrashift tier 3 restyling (2009-2011) - RPC4 - 110

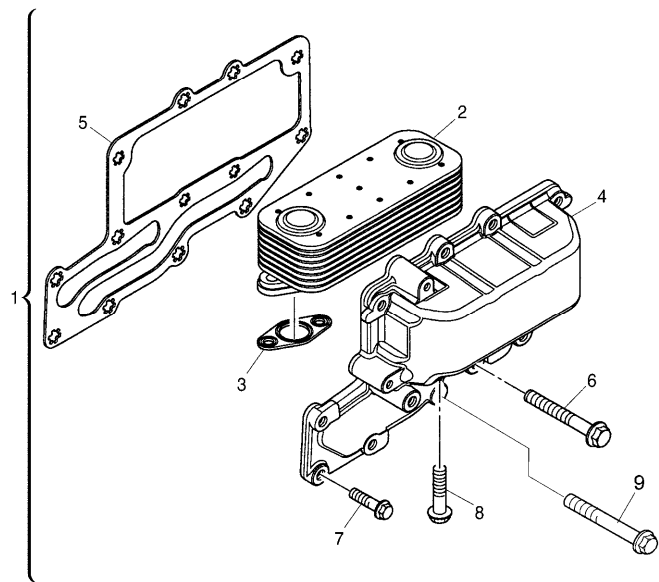
RPC4\000015031.png

A-05
18



A0518

Oil bath air filter - lautrette



1	4134W021	●	4134W025(1)
2	2486A217	!	1
3	3685A025	!	1
4		!	1
		➡	Ref.n.1
5	3685A033	!	1
6	2314K161	!	1
7	2314H004	!	1
8	2314H006	!	1
9	2311D060	!	1

Inglese

1	Radiator
1	Exchanger
2	Ring
1	Cooler
1	Gasket
3	Screw
8	Screw
4	Screw
2	Screw

- ! This is a component of an assembly
- ➡ Not serviced, order
- Replacement

Engine perkins 74.9 kw

Cx xtrashift tier 3 restyling (2009-2011) - RPC4 - 110

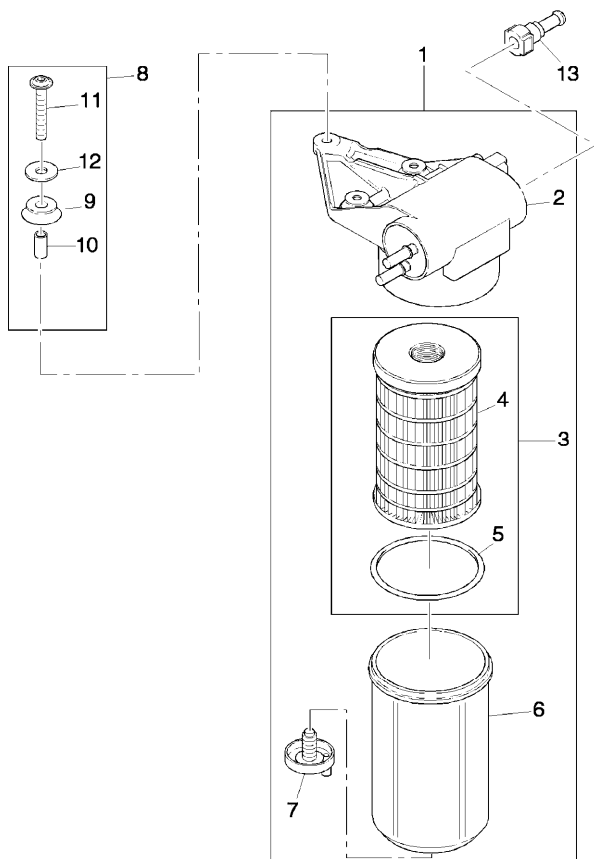
RPC4\000022264.png

**A-05
19**



A0519

Lift pump



				Inglese
1	4132A018	●	N.L.S.(1)	1 Pump
2		!	1	1 Pump
		➡	Ref.n.1	
3	26560201	!	1	1 Filter
4		!	2	1 Filter
		➡	Ref.n.2	
5		!	2	1
		➡	Ref.n.2	
6	2656F837	!	1	1 Bowl
7	2656F836	!	1	1 Valve
8	U5MK1239			1 Support
9		!	8	6 Support
		➡	Ref.n.8	
10		!	8	3 Spacer
		➡	Ref.n.8	
11	2316T135	!	8	3 Screw
12	2131A507	!	8	3 Washer
13	3763A046			1 Connection
!	This is a component of an assembly			
➡	Not serviced, order			
●	Replacement			



Suggest:

For more complete manuals. Please go to the home page.

<https://www.ebooklibonline.com>

If the above button click is invalid. Please download this document first, and then click the above link to download the complete manual.

Thank you so much for reading

Engine perkins 74.9 kw

Cx xtrashift tier 3 restyling (2009-2011) - RPC4 - 110

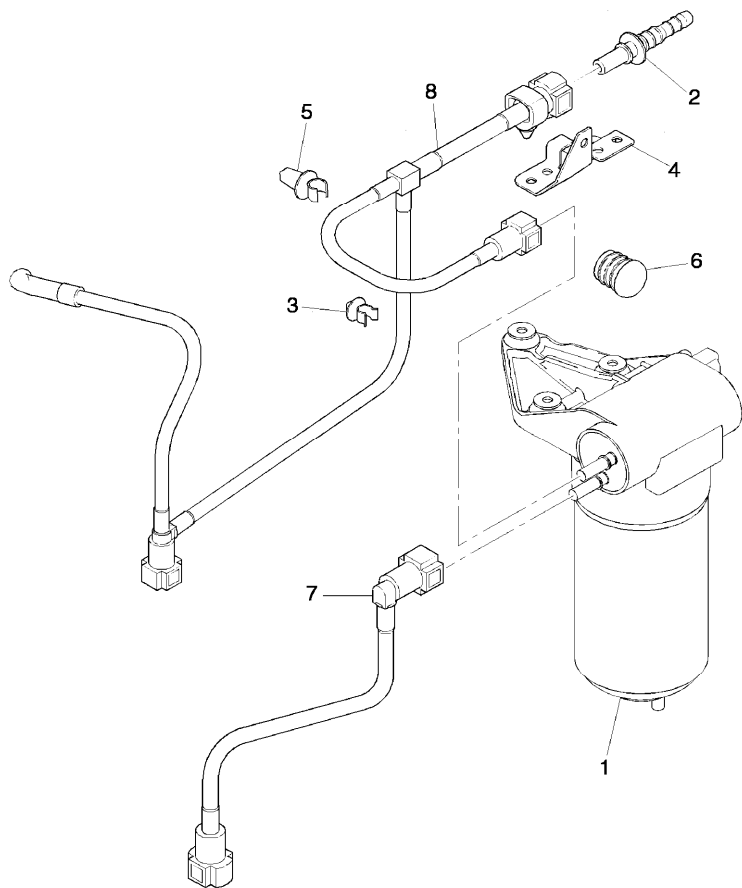
RPC4\000022265.png



**A-05
20**



A0520

Lift pump



- 1  A-05 19 1
- 2 3763A045
- 3 2481D456
- 4 3661A091
- 5 2481D559
- 6 2487A401
- 7 2646F001
- 8 2646F009
-  See page - reference number

Inglese

- 1 Pump
- 1 Connection
- 1 Clip
- 1 Stirrup
- 1 Clip
- 1 Plug
- 1 Pipe
- 1 Pipe

Engine perkins 74.9 kw

Cx xtrashift tier 3 restyling (2009-2011) - RPC4 - 110

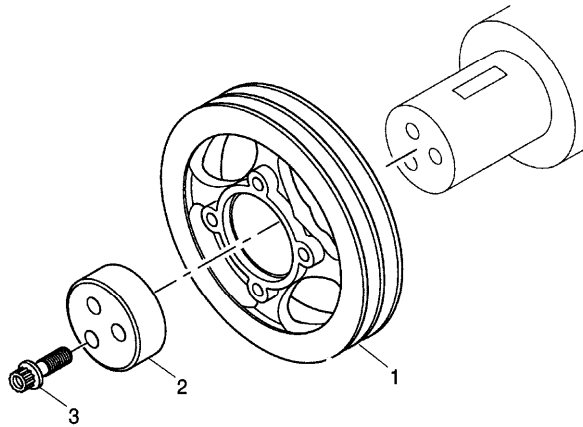
RPC4\000014134.png

**A-05
21**



A0521

Front end drive input - auxiliary drive



- | | | | |
|---|----------|---|-----------|
| 1 | 3115A141 | ➡ | U056075 t |
| 1 | 3115T051 | ➡ | U056074 t |
| 2 | 3241N001 | ➡ | U056074 t |
| 3 | 32186137 | ➡ | U056074 t |
| 3 | 32186146 | ➡ | U056075 t |

➡ From serial or engine number

➡ Up to serial or engine number

Inglese

- | | |
|---|--------|
| 1 | Pulley |
| 1 | Pulley |
| 1 | Block |
| 3 | Screw |
| 3 | Bolt |

<https://www.ebooklibonline.com>

Hello dear friend!

Thank you very much for reading.

Enter the link into your browser.

The full manual is available for immediate download.

<https://www.ebooklibonline.com>