

Engine

Cx xtrashift tier 3 restyling (2009-2011) - RPC4 - 100

RPC4\00005987.png

A-05  
01

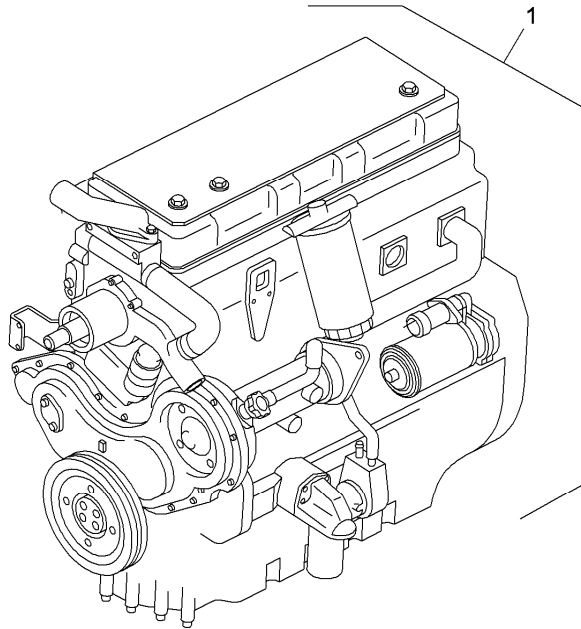


A0501

Engine assembly

Inglese

- A
- 1 716219A1 T-A 8:0 1 Engine
- T-B 30:0
- T-A Replacement
- T-B Overhaul
- A For tractor short with base "swb"



Engine

Cx xtrashift tier 3 restyling (2009-2011) - RPC4 - 100

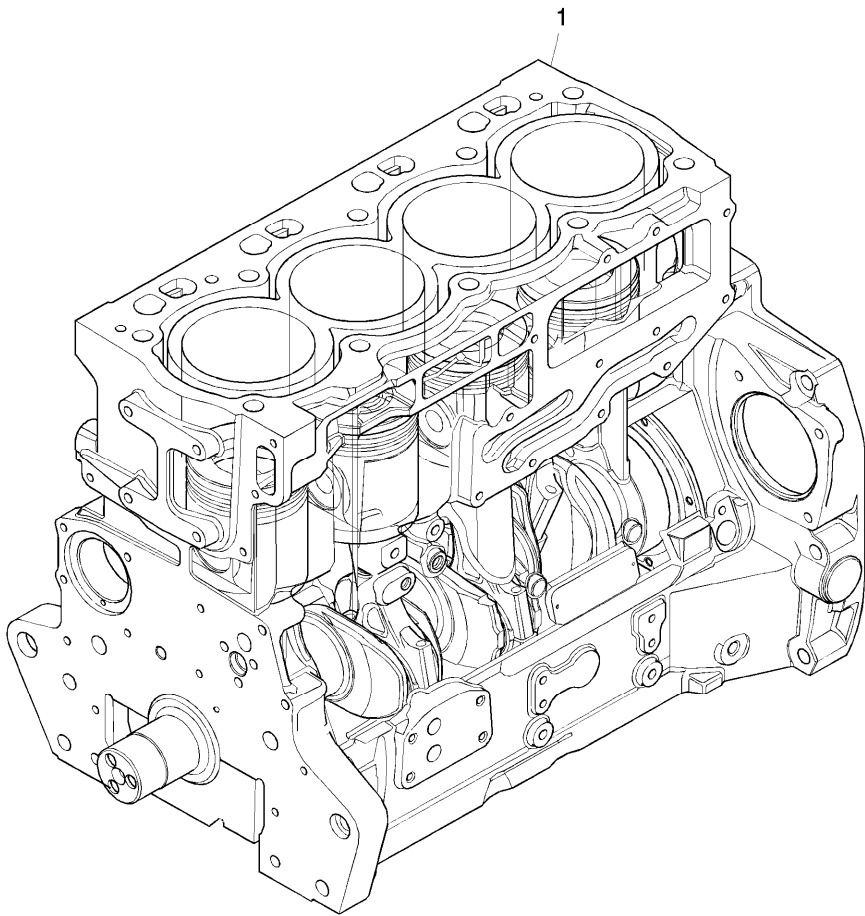
RPC4\000022251.png

**A-05  
015**



A05015

Engine assembly



Inglese

- A
- 1 4214859M91
- A For tractor long with base "lwb"

1 Engine

Engine

Cx xtrashift tier 3 restyling (2009-2011) - RPC4 - 100

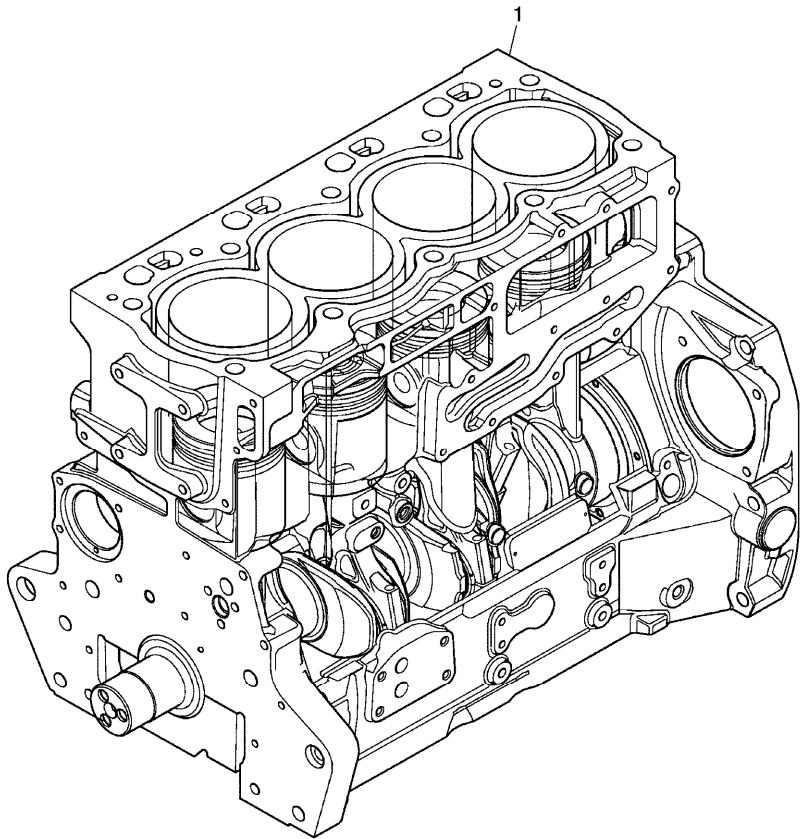
RPC4\000015070.png

**A-05  
017**



A05017

Short engine



Inglese

- |   |         |  |                                  |   |              |
|---|---------|--|----------------------------------|---|--------------|
| 1 | NM40008 |  | U056074 t                        | 1 | Short engine |
|   |         |  | 3115A141(1),<br>32186146(3), NM4 |   |              |
| 1 | NM40019 |  | U056075 t                        | 1 | Short engine |

- From serial or engine number
- Up to serial or engine number
- Replacement

**<https://www.ebooklibonline.com>**

Hello dear friend!

Thank you very much for reading.

Enter the link into your browser.

The full manual is available for immediate download.

**<https://www.ebooklibonline.com>**

Engine

Cx xtrashift tier 3 restyling (2009-2011) - RPC4 - 100

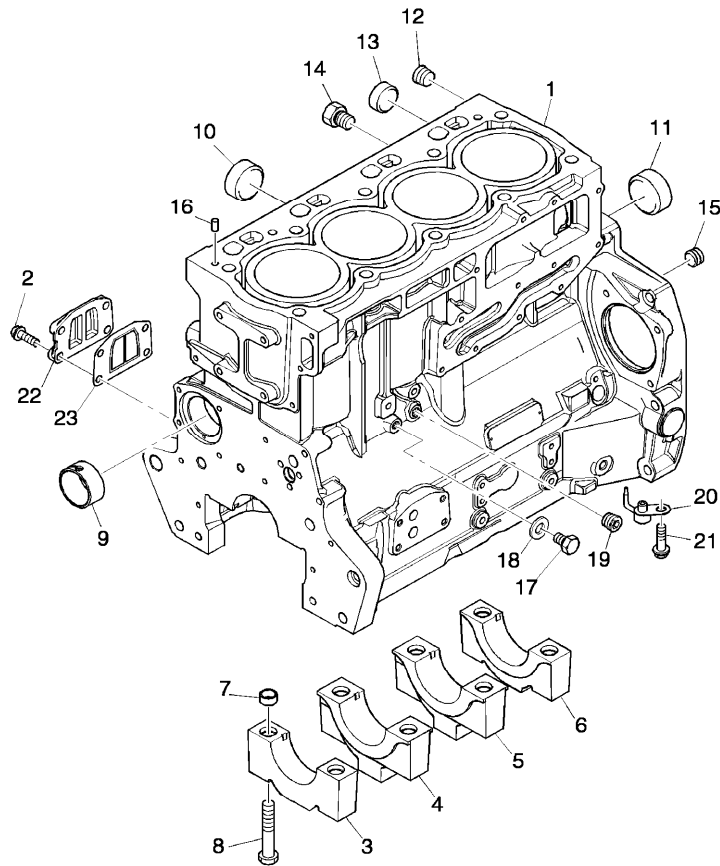
RPC4\000022252.png

A-05  
02



A0502

Cylinders block



		Inglese
1	ZZ50321	U056074 t 1 Block
1	ZZ50325	ZZ50325(1) 1 Block
2	2314H034	056075 t 4 Screw
3		! 1 1 Bearing cup
4		➡ Ref.n.1 ! 1 1 Bearing cup
5		➡ Ref.n.1 ! 1 1 Bearing cup
6		➡ Ref.n.1 ! 1 1 Bearing cup
7	33142111	10 Manicott
8	32166329	10 Screw
9	3112D071	● 3112D075(1) 1 Bush
10	3241A011	2 Plug
11	3241A012	1 Plug
12	0650588	1 Plug
13	0650710	1 Plug
14	32141316	1 Plug
15	3212P008	1 Plug
16	3244A009	2 Dowel
17	2314C049	1 Screw
18	2415D053	1 Washer
19	0650594	1 Plug

Engine

Cx xtrashift tier 3 restyling (2009-2011) - RPC4 - 100

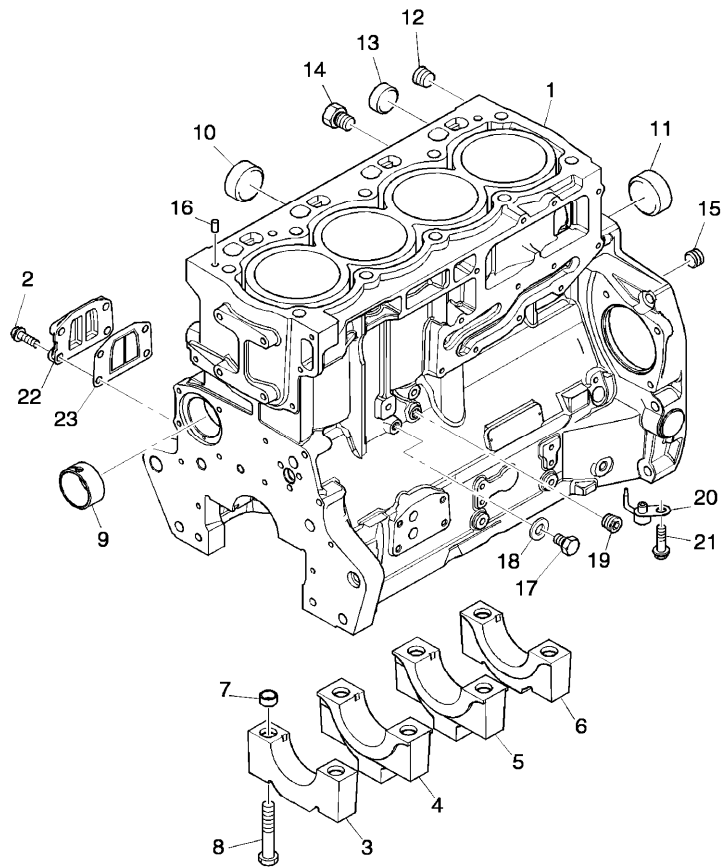
A-05  
02



A0502

Cylinders block

RPC4\000022252.png



**Inglese**

- 20 2113A003
- 21 2314F001
- 22 3753A071
- 23 3688A041
- 4 Atomiser
- 4 Screw
- 1 Coperch.
- 1 Gasket

- ! This is a component of an assembly
- ➔ From serial or engine number
- ➔ Up to serial or engine number
- 🔧 Not serviced, order
- Replacement

Engine

Cx xtrashift tier 3 restyling (2009-2011) - RPC4 - 100

RPC4\000015074.png

A-05  
03



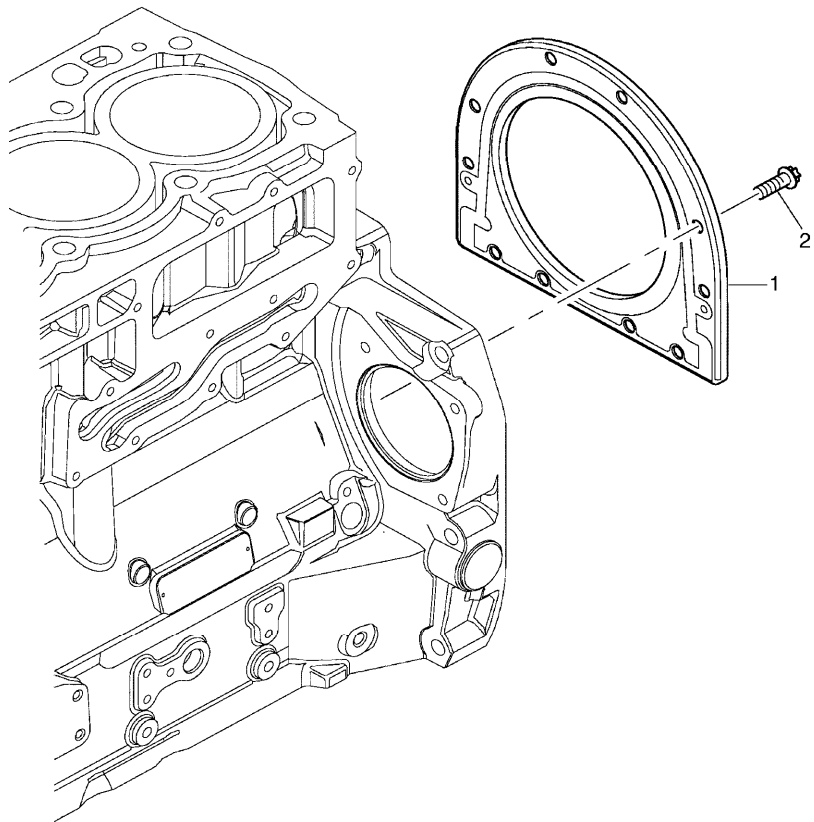
A0503

End cover

Inglese

- 1 2418F704
- 2 3211C002

- 1 Housing
- 10 Screw



Engine

Cx xtrashift tier 3 restyling (2009-2011) - RPC4 - 100

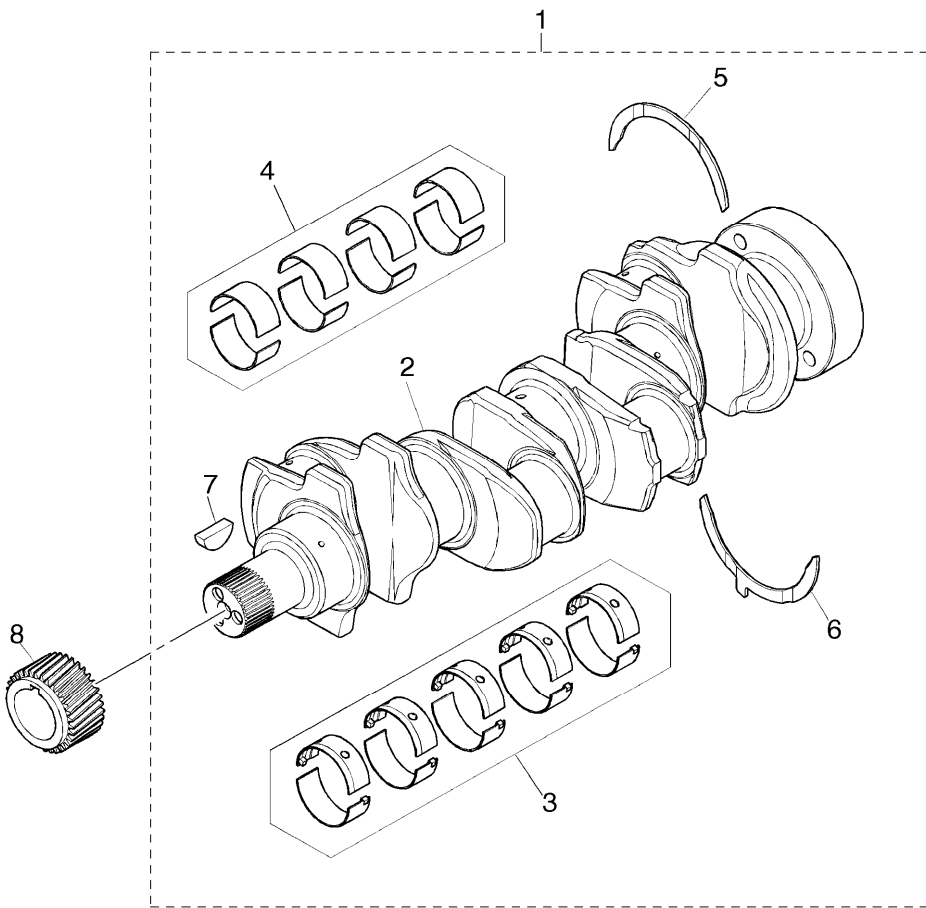
RPC4\000022253.png

A-05  
04



A0504

Crankshaft



		Inglese	
1	ZZ90222	➔ U491476 t	1 Kit
		● ZZ90239(1)	
1	ZZ90237	➔ U491477 t	1 Shaft
2		! 1	1 Crankshaft
		➔ Ref.n.1	
3	U5MB0018	! 1	1 Kit
		● U5MB0033(1)	
3	U5MB0018A	! 1	1 Kit
		⚡ 0.010 mm	
		● U5MB0033A(1)	
3	U5MB0018B	! 1	1 Kit
		⚡ 0.020 mm	
		● U5MB0033B(1)	
3	U5MB0018C	! 1	1 Kit
		⚡ 0.030 mm	
		● N.L.A.(1)	
4	T400002	! 1	1 Kit
		➔ U491477 t	
		● T410927(1)	
4	U5ME0026	! 1	1 Kit
		➔ U491476 t	
		● U5ME0034(1)	
4	U5ME0026A	! 1	1 Kit
		⚡ 0.25 mm	
		➔ U491476 t	
		● U5ME0034A(1)	

Engine

Cx xtrashift tier 3 restyling (2009-2011) - RPC4 - 100

RPC4\000022253.png

A-05  
04



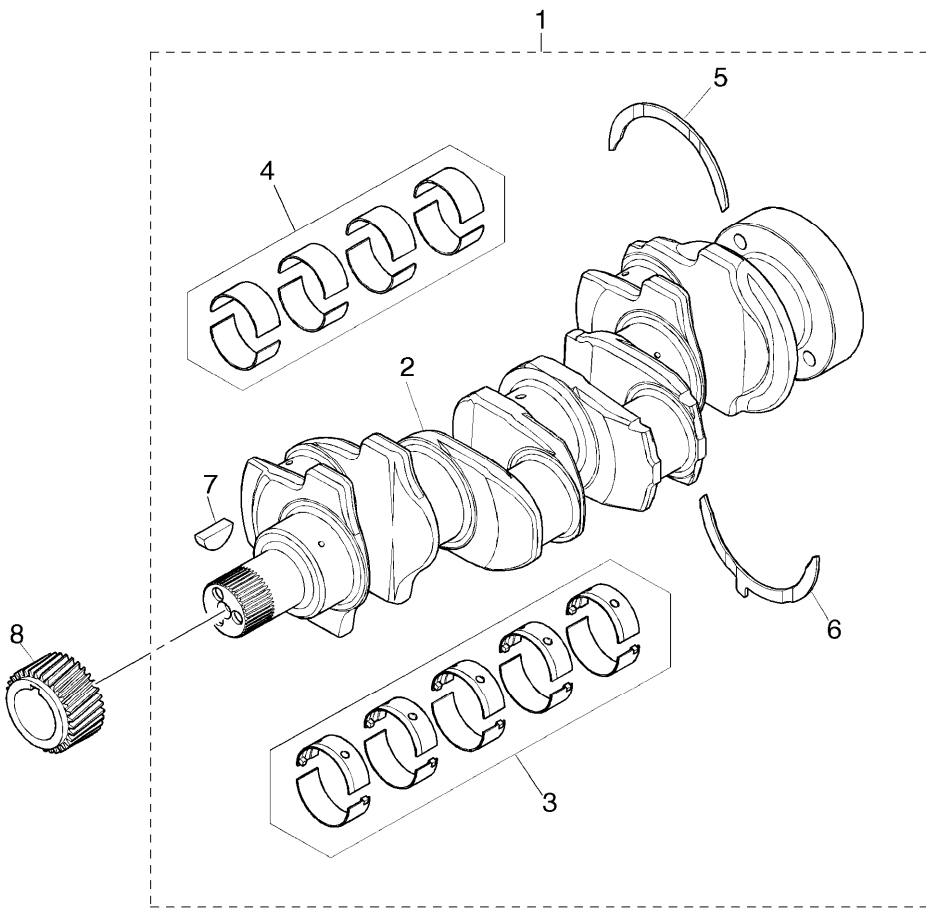
A0504

Crankshaft

Inglese

4	U5ME0026B	!	1	1 Kit
		⚡	0.50 mm	
		➔	U491476 t	
		●	U5ME0034B(1)	
4	U5ME0026C	!	1	1 Kit
		⚡	0.75 mm	
		➔	U491476 t	
		●	U5ME0034C(1)	
5	31137312	!	1	2 Ring
		⚡	0.007 mm	
5	31137551	!	1	2 Washer
6	31137322	!	1	2 Ring
		⚡	0.007 mm	
6	31137561	!	1	2 Washer
7	0500012	!	1	1 Key
8	3117C221	!	1	1 Gear

- ! This is a component of an assembly
- ➔ From serial or engine number
- ➕ Up to serial or engine number
- ⚡ Not serviced, order
- ⚡ Shim
- Replacement



Engine

Cx xtrashift tier 3 restyling (2009-2011) - RPC4 - 100

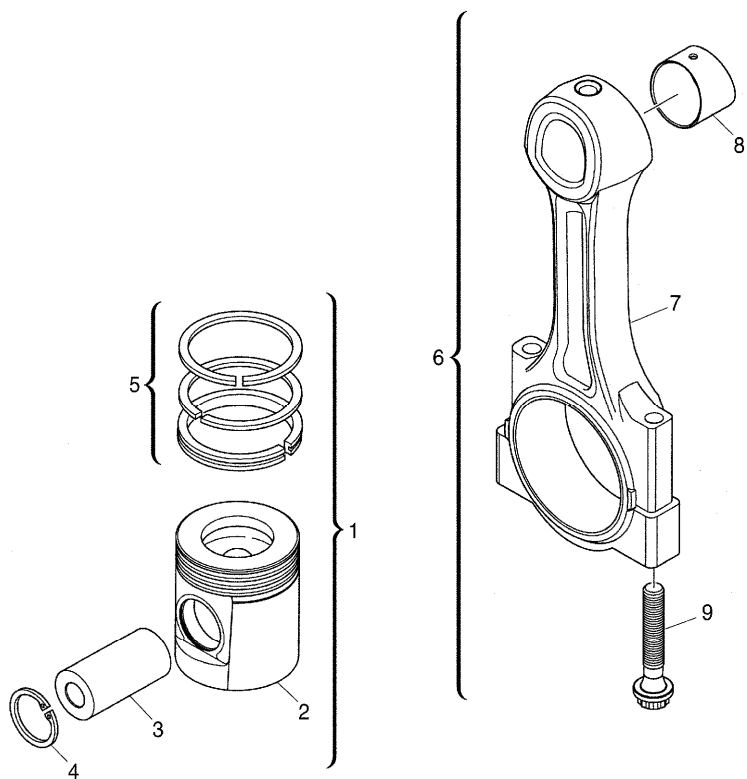
RPC4\000020562.png

**A-05**  
**05**



A0505

Pistons and connecting rods



Inglese

1	U5PR0062	Std	4	Kit
1	U5PR0062B	+0,5 mm	4	Kit
2		!	1	Piston
		➡		Ref.n.1
3		!	1	Piston
		➡		Ref.n.1
4	2721332	!	1	2 Ring
5	UPRK0005	!	1	Kit
6	4115C311	➡	4	Kit
		A		
6	4115C312	➡	4	Kit
		B		
6	4115C313	➡	4	Kit
		C		
6	4115C314	➡	4	Kit
		D		
6	4115C315	➡	4	Kit
		E		
6	4115C316	➡	4	Kit
		F		
6	4115C361	➡	4	Conrod
		A		
6	4115C362	➡	4	Conrod
		B		
6	4115C363	➡	4	Conrod
		C		

Engine

Cx xtrashift tier 3 restyling (2009-2011) - RPC4 - 100

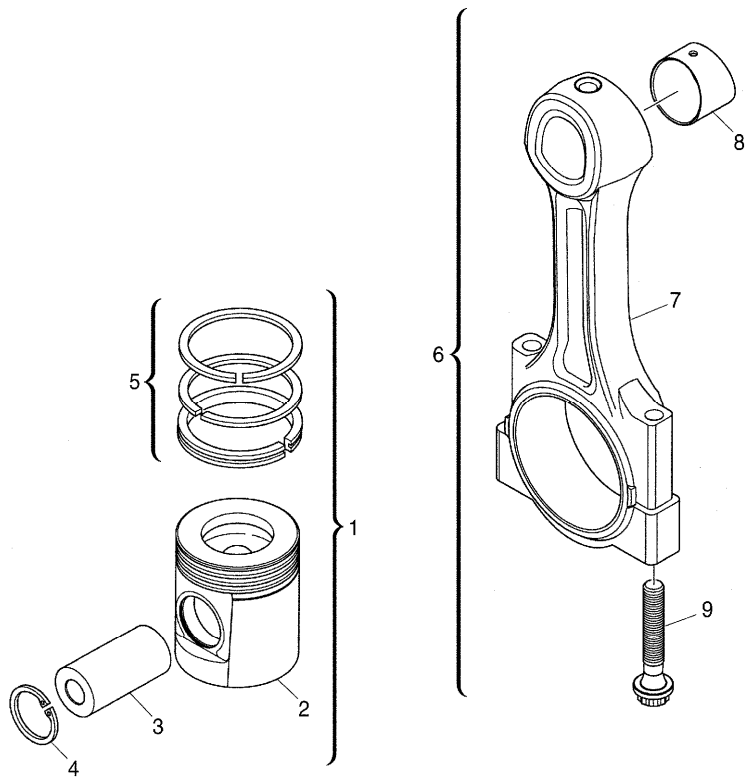
RPC4\000020562.png

**A-05  
05**



A0505

Pistons and connecting rods



		Inglese	
6	4115C364	➡ U056075 t D	4 Conrod
6	4115C365	➡ U056075 t E	4 Conrod
6	4115C366	➡ U056075 t F	4 Conrod
7		! 6 ➡ Ref.n.6	1 Conrod
8	3112A005	! 6	1 Bush
9	3212V003	! 6 ➡ U056074 t	2 Screw
9	T400001	! 6 ➡ U056075 t	2 Screw

- ! This is a component of an assembly
- ➡ From serial or engine number
- ➡ Up to serial or engine number
- ➡ Not serviced, order
- A Red
- B Orange
- C White
- D Green
- E Purple
- F Blue

Engine

Cx xtrashift tier 3 restyling (2009-2011) - RPC4 - 100

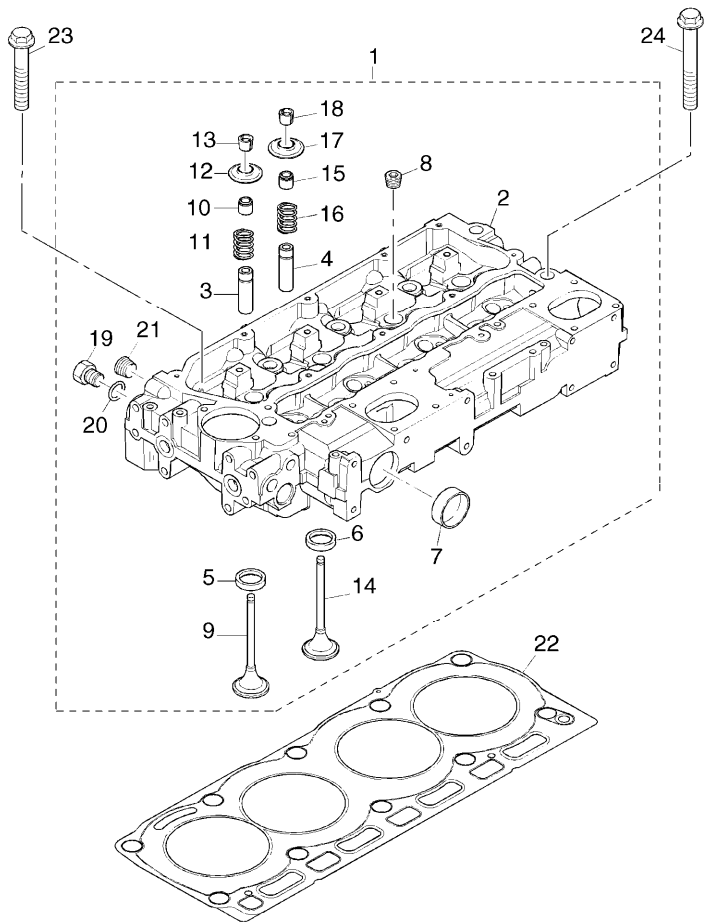
RPC4\000022254.png

**A-05  
06**



A0506

Cylinder head



1	ZZ80280		
2		!	1
3	3313A012	!	1
4	3313A012	!	1
5	3314A221	!	1
6	3314A231	!	1
7	32416117	!	1
8	0650588	!	1
9	3142H101	!	1
10	2418M519	!	1
	A		
11	3174A031	!	1
	● T417479(4)		
12	3342A021	!	1
13	2714A002	!	1
14	3142A171	!	1
15	2418M517	!	1
	B		
16	3174A031	!	1
	● T417479(4)		
17	3342A021	!	1
18	2714A002	!	1
19	3278A006	!	1
20	2415H003	!	1

**Inglese**

1	Cylinder head
1	Cylinder head
	➡ Ref.n.1
4	Insert
4	Insert
4	Insert
4	Insert
2	Plug
4	Plug
4	Valve
4	Ring
4	Spring
4	Coperch.
8	Collar
4	Valve
4	Ring
4	Spring
4	Coperch.
8	Collar
1	Plug
1	Ring

Engine

Cx xtrashift tier 3 restyling (2009-2011) - RPC4 - 100

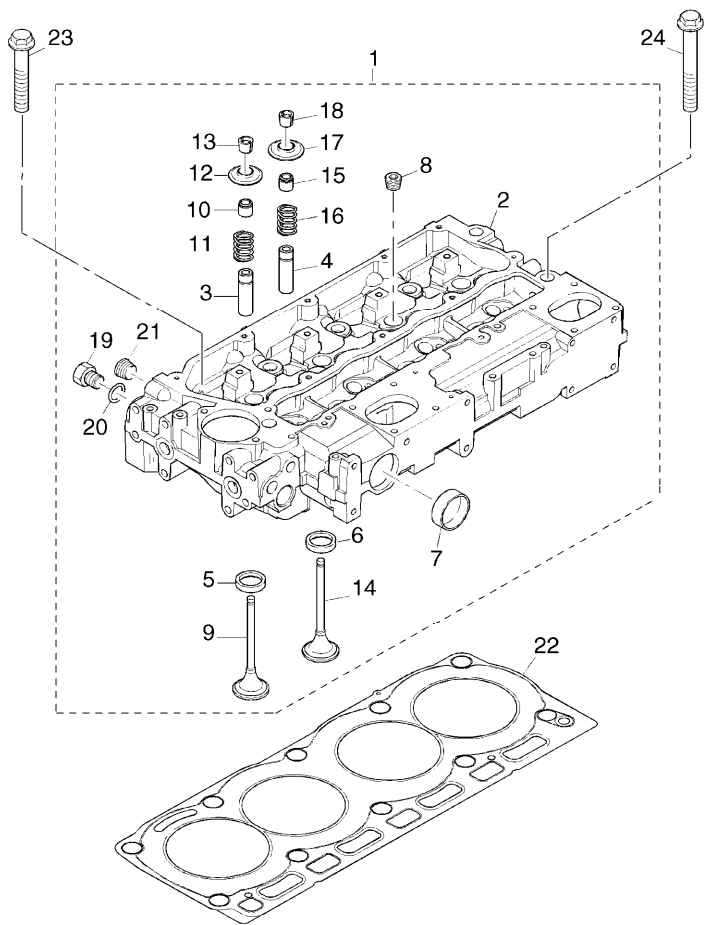
RPC4\000022254.png

A-05  
06



A0506

Cylinder head



21 2431154 ! 1

22 3681E051

23 3218A011

24 3218A012

! This is a component of an assembly

🔧 Not serviced, order

🔴 Replacement

A Green

B Brown

Inglese

2 Plug

1 Gasket

7 Screw

3 Screw

Engine

Cx xtrashift tier 3 restyling (2009-2011) - RPC4 - 100

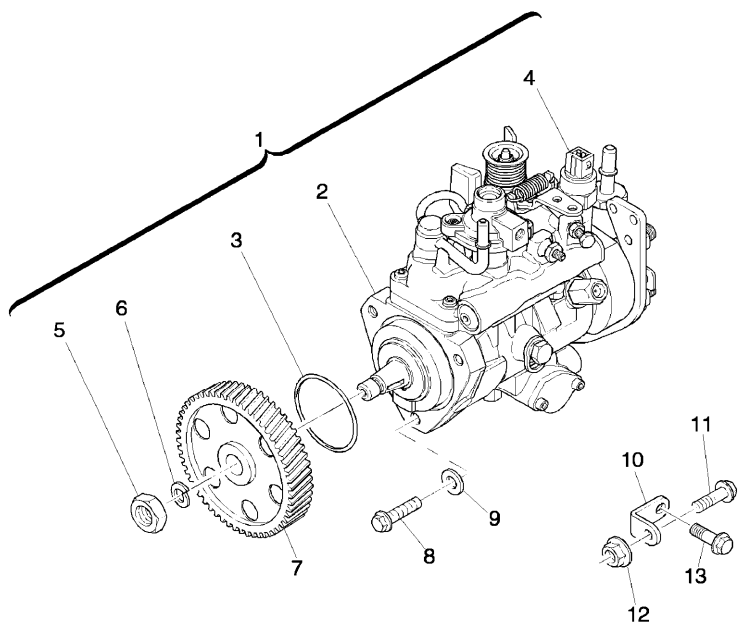
RPC4\000022255.png

A-05  
07



A0507

Injection pump assy



Inglese

-	A		
1	2644C314/22	● 2644C314/23(1)	1 Pump
2		! 1	1 Pump
		➡ Ref.n.1	
3	26420318	! 1	1 Ring
4	26420469	! 1	1 Solenoid
5	2318A108	! 1	1 Nut
6	K134AF01	! 1	1 Washer
7	3117L261		1 Gear
8	2314H004		3 Screw
9	2411D008		3 Washer
10	3641A007		1 Stirrup
11	2314H003		1 Screw
12	2318A603		1 Nut
13	2314J002		1 Screw
!	This is a component of an assembly		
➡	Not serviced, order		
●	Replacement		
A	For tractor short with base "swb"		

Engine

Cx xtrashift tier 3 restyling (2009-2011) - RPC4 - 100

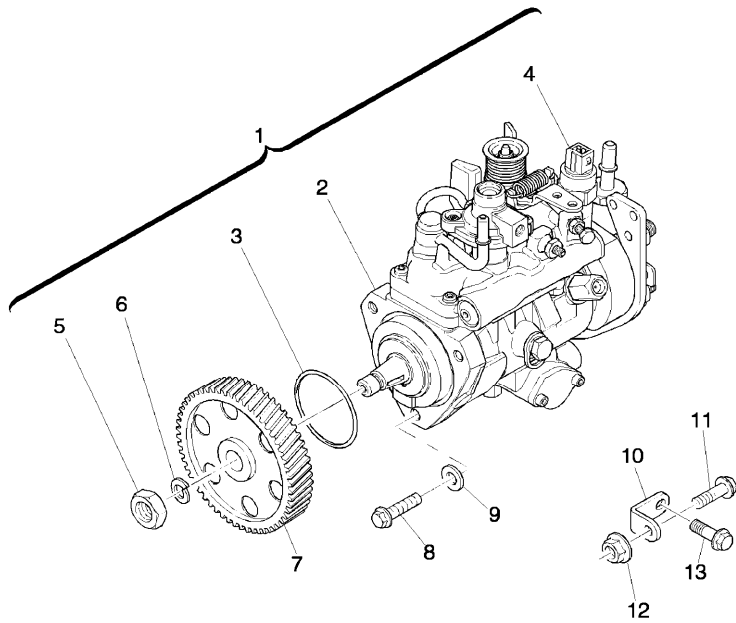
RPC4\000022255.png

**A-05  
075**



A05075

Injection pump assy



Inglese

-	A		
1	2644C348/22		1 Pump
2		!	1 Pump
		➡	Ref.n.1
3	26420318	!	1 Ring
4	26420469	!	1 Solenoid
5	2318A108	!	1 Nut
6	K134AF01	!	1 Washer
7	3117L261		1 Gear
8	2314H004		3 Screw
9	2411D008		3 Washer
10	3641A007		1 Stirrup
11	2314H003		1 Screw
12	2318A603		1 Nut
13	2314J002		1 Screw
!	This is a component of an assembly		
➡	Not serviced, order		
A	For tractor long with base "lwb"		

Engine

Cx xtrashift tier 3 restyling (2009-2011) - RPC4 - 100

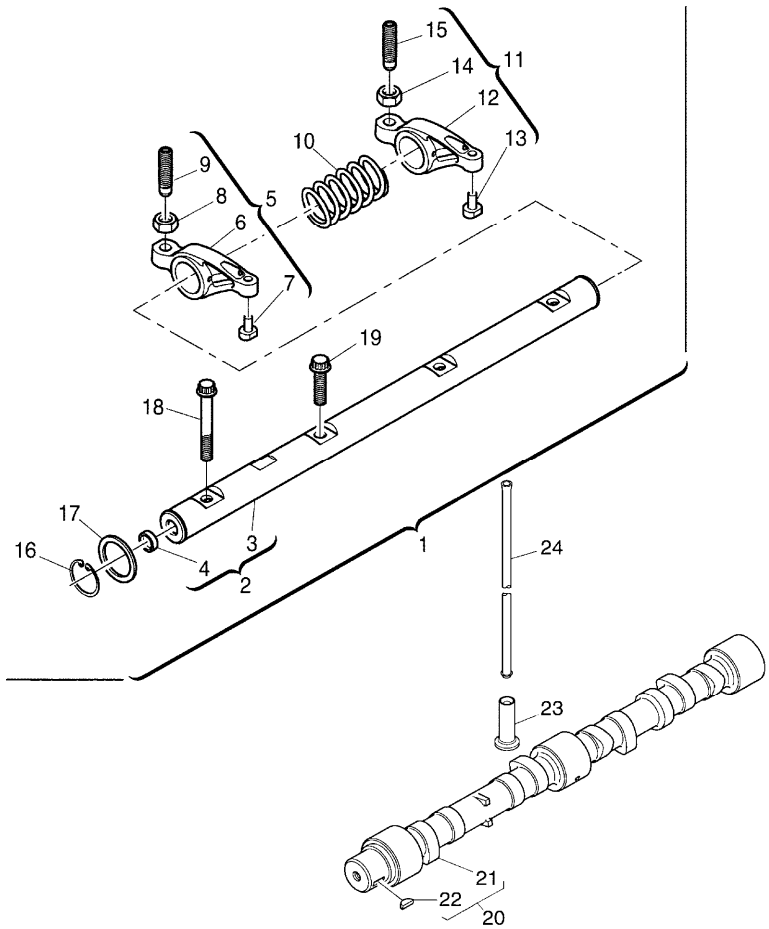
RPC4\000015075.png

A-05  
08



A0508

Rocker shaft



Inglese

-	A	
1	4115R613	1 Axle
2	4115R703	! 1 Shaft
3		! 2 1 Axe
4	2485A104	! 2 2 Plug
5	4115R319	! 1 4 Lever
6		! 5 1 Rocker
7		! 5 1 Pad
8	3331A006	! 5 1 Nut
9	3211C004	! 5 1 Screw
10	3174A015	! 1 3 Spring
11	4115R318	! 1 4 Lever
12		! 11 1 Rocker
13		! 11 1 Pad
14	3331A006	! 11 1 Nut
15	3211C004	! 11 1 Screw
16	2722A022	! 1 2 Ring
17	2134A502	! 1 2 Washer
18	2316A901	! 1 1 Screw
19	2316A902	! 1 3 Screw

Engine

Cx xtrashift tier 3 restyling (2009-2011) - RPC4 - 100

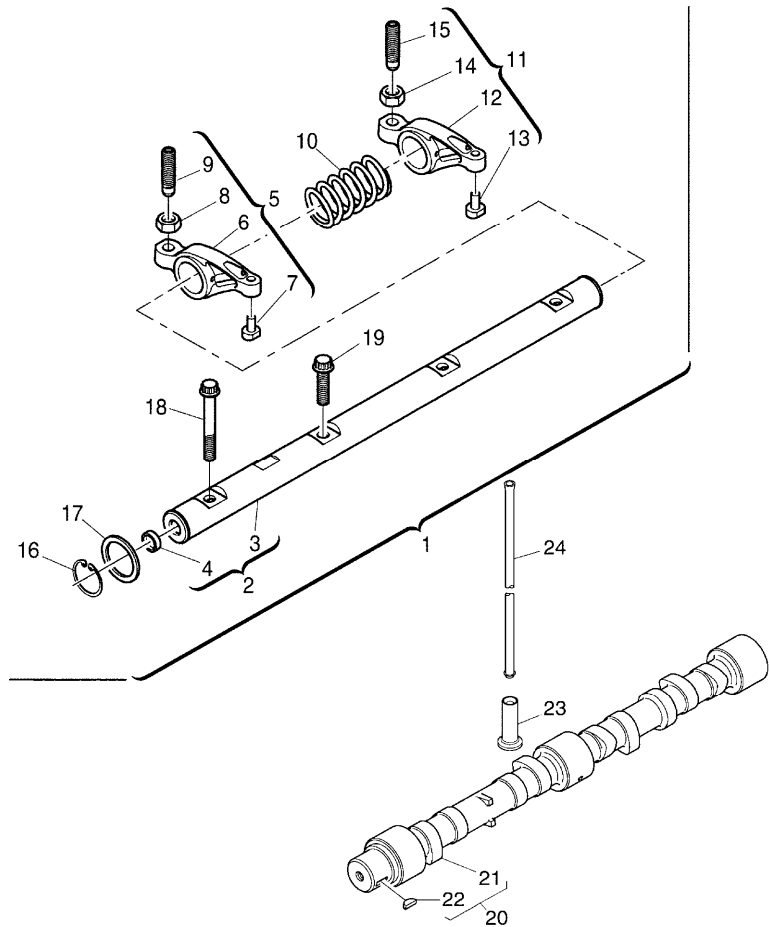
RPC4\000015075.png

A-05  
08



A0508

Rocker shaft



Inglese

- |    |          |   |             |   |        |
|----|----------|---|-------------|---|--------|
| 20 | 4112K032 | ● | 4112K077(1) | 1 | Shaft  |
| 21 |          | ! | 20          | 1 | Shaft  |
|    |          | ➡ | Ref.n.20    |   |        |
| 22 | 0500012  | ! | 20          | 1 | Key    |
| 23 | 3142U061 |   |             | 8 | Tappet |
| 24 | 3142V011 |   |             | 8 | Rod    |
- ! This is a component of an assembly  
➡ Not serviced, order  
● Replacement  
A For tractor short with base "swb"

Engine

Cx xtrashift tier 3 restyling (2009-2011) - RPC4 - 100

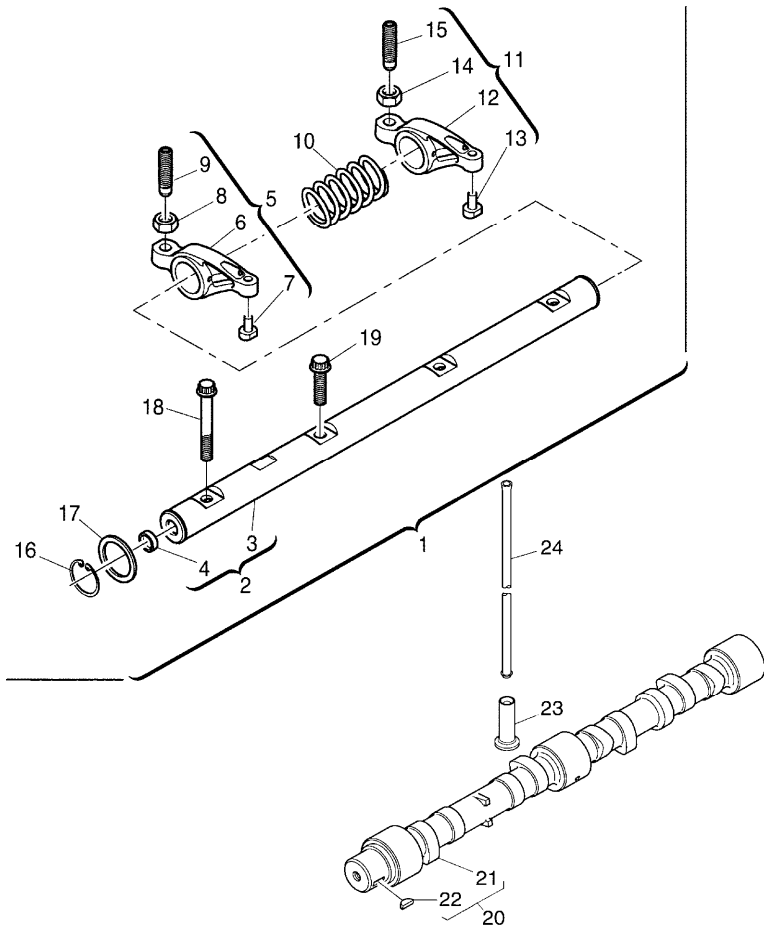
RPC4\000015075.png

**A-05  
085**



A05085

Rocker shaft



Inglese

-	A	
1 4115R613		1 Axle
2 4115R703	! 1	1 Shaft
3	! 2	1 Axe
	➡ Ref.n.2	
4 2485A104	! 2	2 Plug
5 4115R319	! 1	4 Lever
6	! 5	1 Rocker
	➡ Ref.n.5	
7	! 5	1 Pad
	! Ref.n.5	
8 3331A006	! 5	1 Nut
9 3211C004	! 5	1 Screw
10 3174A015	! 1	3 Spring
11 4115R318	! 1	4 Lever
12	! 11	1 Rocker
	➡ Ref.n.11	
13	! 11	1 Pad
	➡ Ref.n.11	
14 3331A006	! 11	1 Nut
15 3211C004	! 11	1 Screw
16 2722A022	! 1	2 Ring
17 2134A502	! 1	2 Washer
18 2316A901	! 1	1 Screw
19 2316A902	! 1	3 Screw

Engine

Cx xtrashift tier 3 restyling (2009-2011) - RPC4 - 100

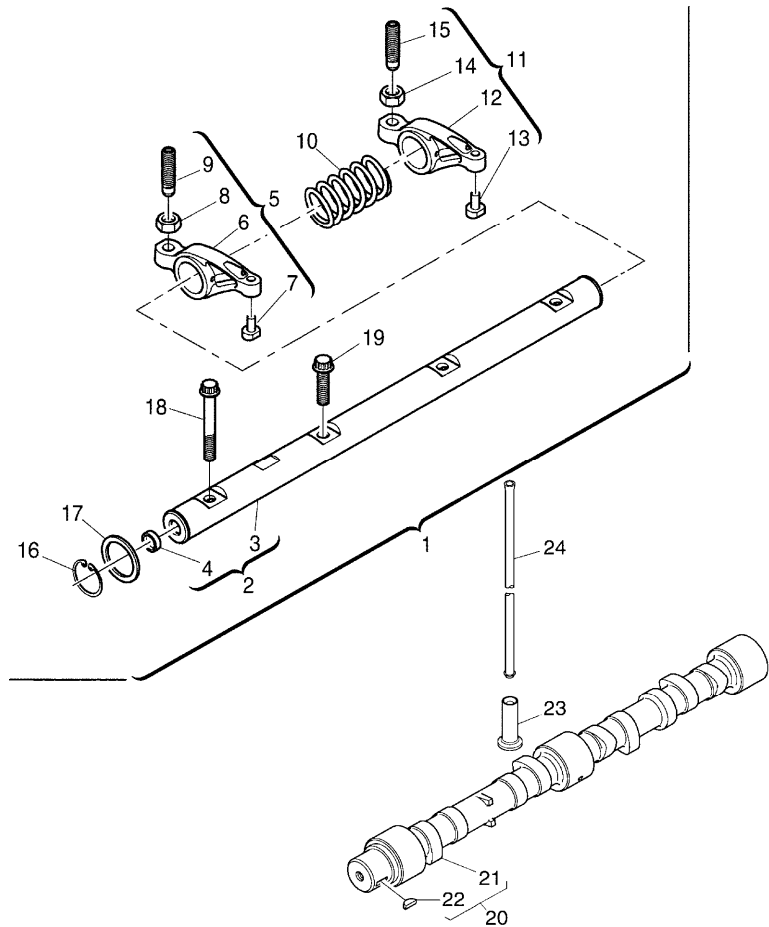
RPC4\000015075.png

A-05  
085



A05085

Rocker shaft



Inglese

- |    |          |   |             |   |        |
|----|----------|---|-------------|---|--------|
| 20 | 4112K076 | ● | 4112K078(1) | 1 | Shaft  |
| 21 |          | ! | 20          | 1 | Shaft  |
|    |          | ➡ | Ref.n.20    |   |        |
| 22 | 0500012  | ! | 20          | 1 | Key    |
| 23 | 3142U061 |   |             | 8 | Tappet |
| 24 | 3142V011 |   |             | 8 | Rod    |
- ! This is a component of an assembly  
➡ Not serviced, order  
● Replacement  
A For tractor long with base "lwb"

Engine

Cx xtrashift tier 3 restyling (2009-2011) - RPC4 - 100

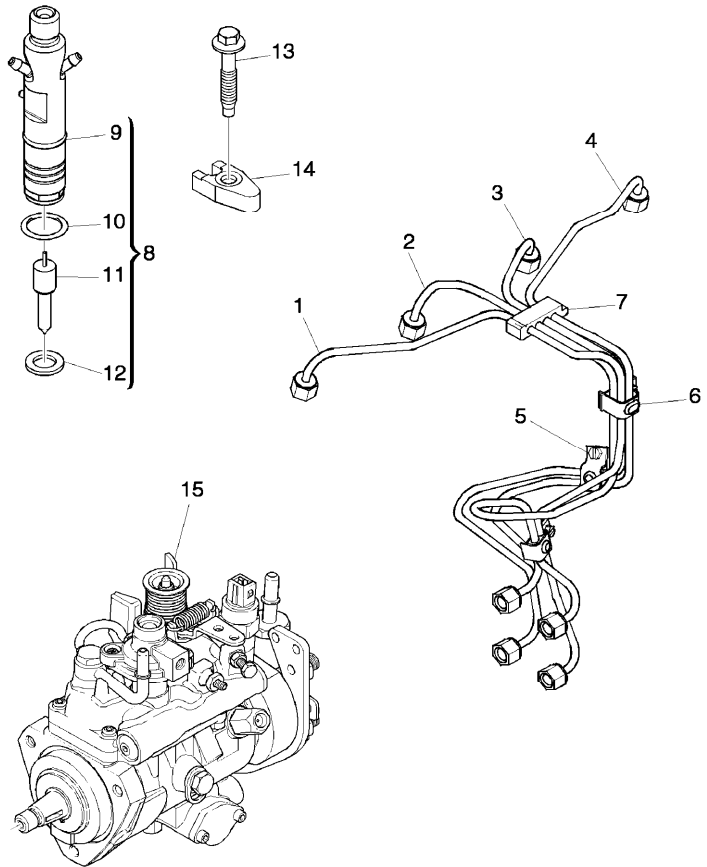
RPC4\000022256.png

**A-05  
09**



A0509

Fuel injection equipment (diesel)



		Inglese
1	3525A101	1 Pipe
2	3525A102	1 Pipe
3	3525A103	1 Pipe
4	3525A104	1 Pipe
5	2481Y011	2 Clip
6	2481Y012	1 Clip
7	2646E019	1 Clip
8	2645K025	4 Nozzle
9	! 8	1 Nozzle
	➡ Ref.n.8	
10	26460064 ! 8	1 Ring
11	! 8	1 Nozzle
	➡ Ref.n.8	
12	L311FF02 ! 8	1 Washer
13	2314W009 ! 8	4 Screw
14	3751A241	4 Clamp
15	👁 A-05 07 1	1 Injection pump
	👁 A-05 075 1	

- ! This is a component of an assembly
- 👁 See page - reference number
- ➡ Not serviced, order

Engine

Cx xtrashift tier 3 restyling (2009-2011) - RPC4 - 100

RPC4\000020530.png

A-05  
10

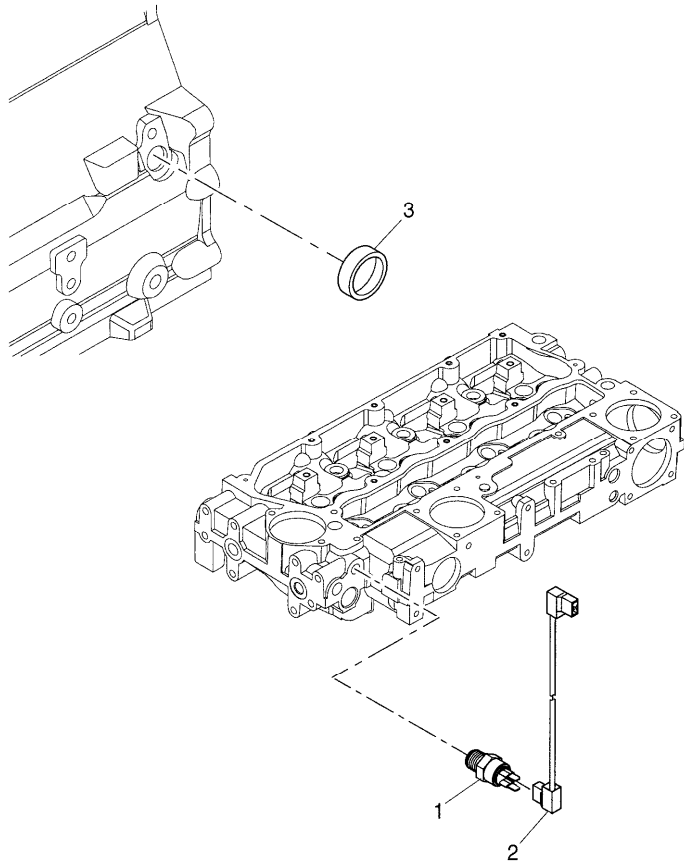


A0510

Sensor pickup

Inglese

- A
- 1 2848A127 1 Sensor
- 2 3161C017 1 Cable
- 3 2485A109 1 Plug
- A For tractor short with base "swb"



Engine

Cx xtrashift tier 3 restyling (2009-2011) - RPC4 - 100

RPC4\000020530.png

A-05  
105



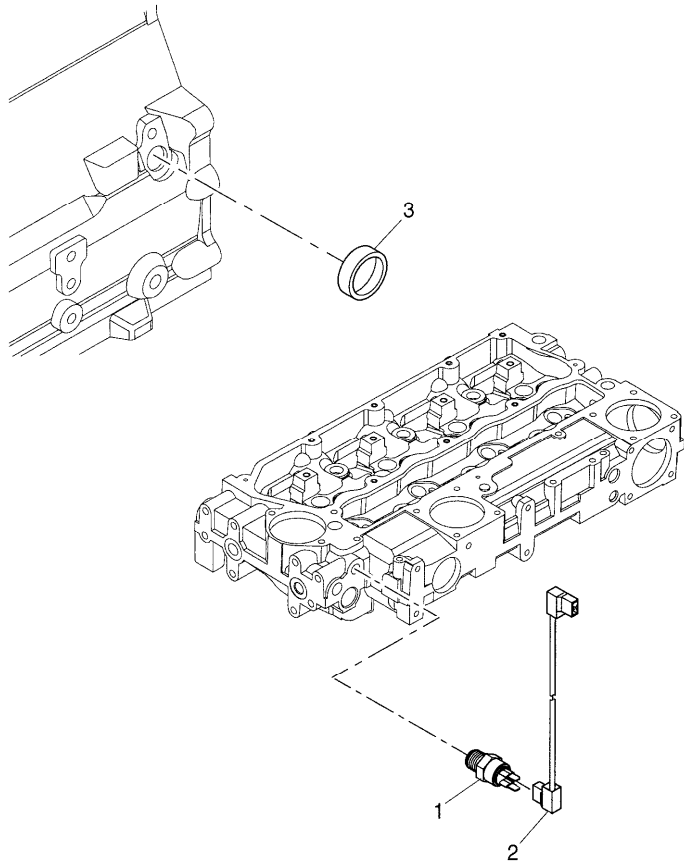
A05105

Sensor pickup

Inglese

- A
- 1 2848A123
- 2 3161C017
- 3 2485A109
- A For tractor long with base "lwb"

- 1 Sensor
- 1 Cable
- 1 Plug



Engine

Cx xtrashift tier 3 restyling (2009-2011) - RPC4 - 100

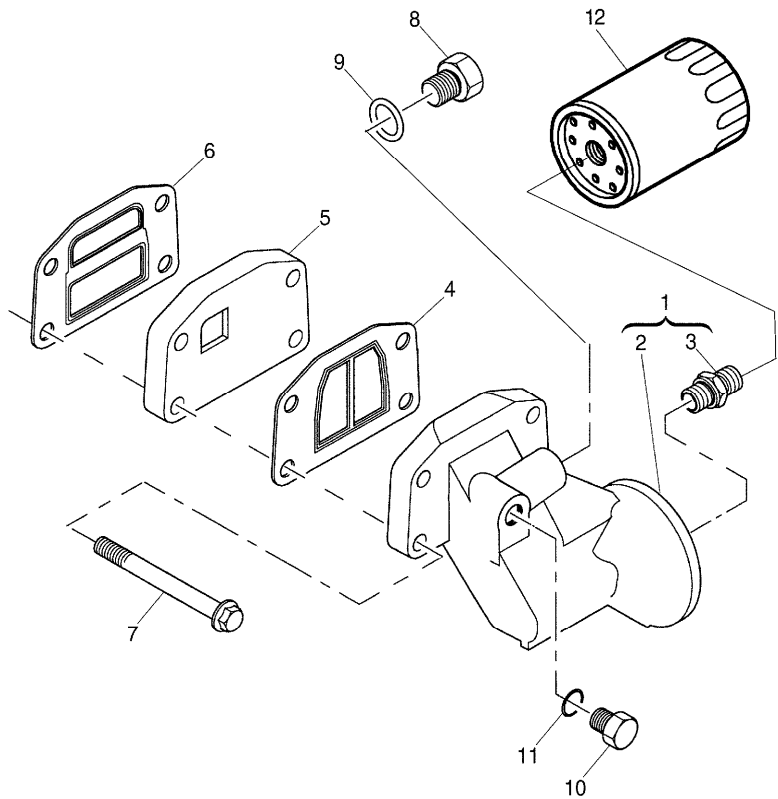
RPC4\000020539.png

A-05  
11



A0511

Lube oil filters



			Inglese
1	4134E057	● 3773A071(1)	1 Head
2		! 1	1 Head
3	33554128	➡ Ref.n.1	1 Union
4	3688A041	! 1	1 Gasket
5	3773A081		1 Adaptor
6	3688A039		1 Gasket
7	2314H038		4 Screw
8	3278A004		1 Plug
9	2415H002		1 Ring
10	3278A007		1 Plug
11	2415H009		1 O ring
12	701899A1		1 Oil filter

- ! This is a component of an assembly
- ➡ Not serviced, order
- Replacement

Engine

Cx xtrashift tier 3 restyling (2009-2011) - RPC4 - 100

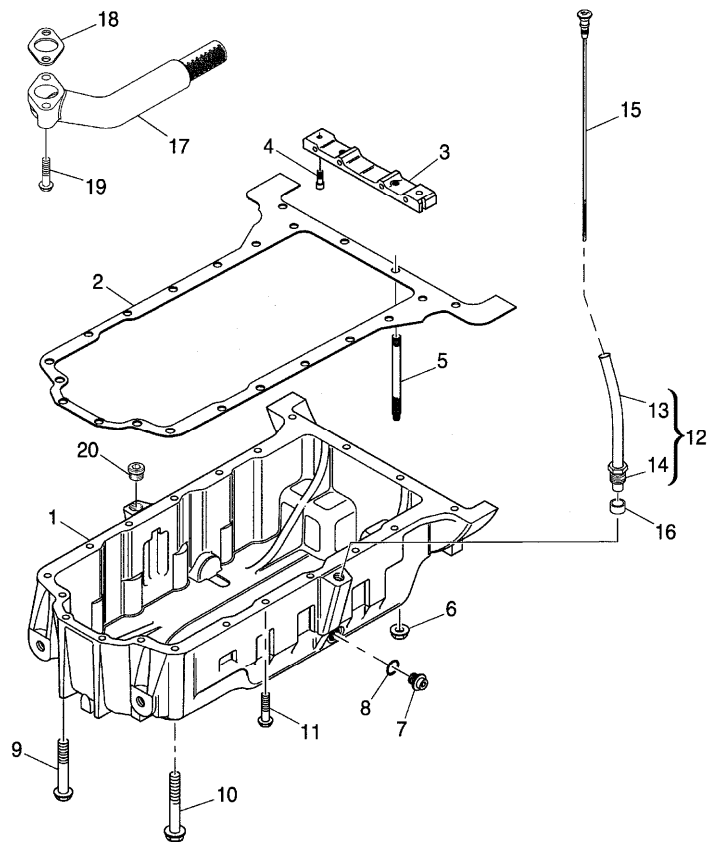
RPC4\000014129.png

A-05  
12



A0512

Oil sump



Inglese

-	A	
1	3717E271	1 Crankcase
2	3681K036	1 Gasket
3	3627P041	1 Crosspiece
4	2311D039	2 Screw
5	3211P013	2 Stud
6	2318A603	2 Nut
7	32186405	2 Plug
8	2415715	2 Ring
9	2314H023	5 Screw
10	2314H022	1 Screw
11	2314H015	12 Screw
12	3577A125	1 Pipe
13	!	12 Pipe
14	3353D005	1 Nut
15	3178C081	1 Rod
16	33812116	1 Olive
17	3765A091	1 Pipe
18	36832137	1 Gasket
19	2314H006	2 Screw
20	2431A016	1 Plug
!	This is a component of an assembly	
➡	Not serviced, order	
●	Replacement	

Engine

Cx xtrashift tier 3 restyling (2009-2011) - RPC4 - 100

RPC4\000014129.png

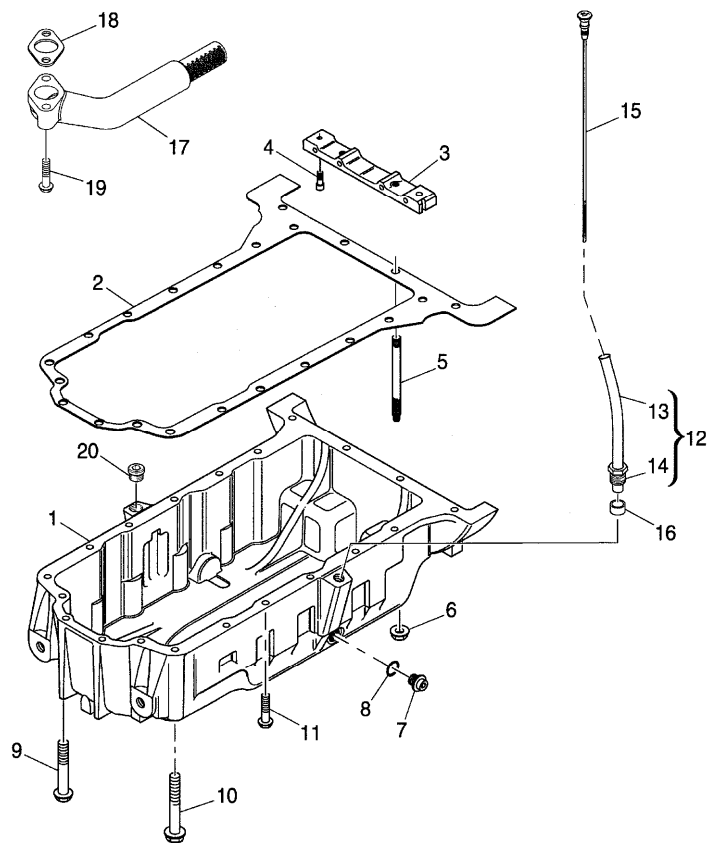
A-05  
12



A0512

Oil sump

A For tractor short with base "swb"



Engine

Cx xtrashift tier 3 restyling (2009-2011) - RPC4 - 100

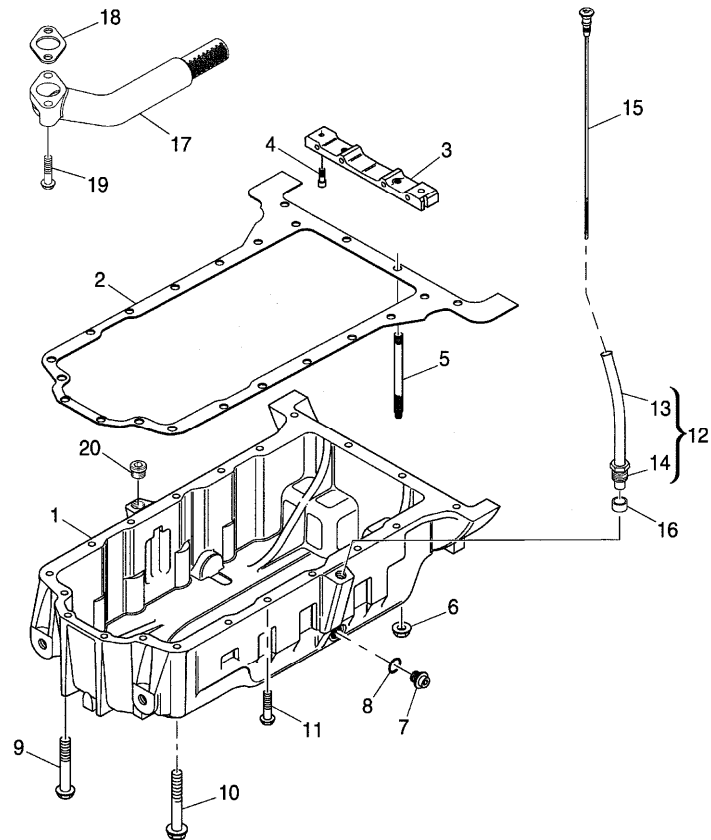
RPC4\000014129.png

**A-05  
125**



A05125

Oil sump



		Inglese
-	A	
1	3717E261	1 Sump
2	3681K036	1 Gasket
3	3627P041	1 Crosspiece
4	2311D039	2 Screw
5	3211P013	2 Stud
6	2318A603	2 Nut
7	32186405	2 Plug
8	2415715	2 Ring
9	2314H023	5 Screw
10	2314H022	1 Screw
11	2314H015	12 Screw
12	3577A125	1 Pipe
13	! 12	1 Pipe
14	! 12	1 Nut
15	➡ Ref.n.12	1 Rod
16	! 12	1 Olive
17	! 12	1 Pipe
18	3765A111	1 Pipe
19	36832137	1 Gasket
20	2314H006	2 Screw
	2431A016	1 Plug
!	This is a component of an assembly	
➡	Not serviced, order	
●	Replacement	



**Suggest:**

**For more complete manuals. Please go to the home page.**

**<https://www.ebooklibonline.com>**

**If the above button click is invalid. Please download this document first, and then click the above link to download the complete manual.**

**Thank you so much for reading**

Engine

Cx xtrashift tier 3 restyling (2009-2011) - RPC4 - 100

RPC4\000014129.png

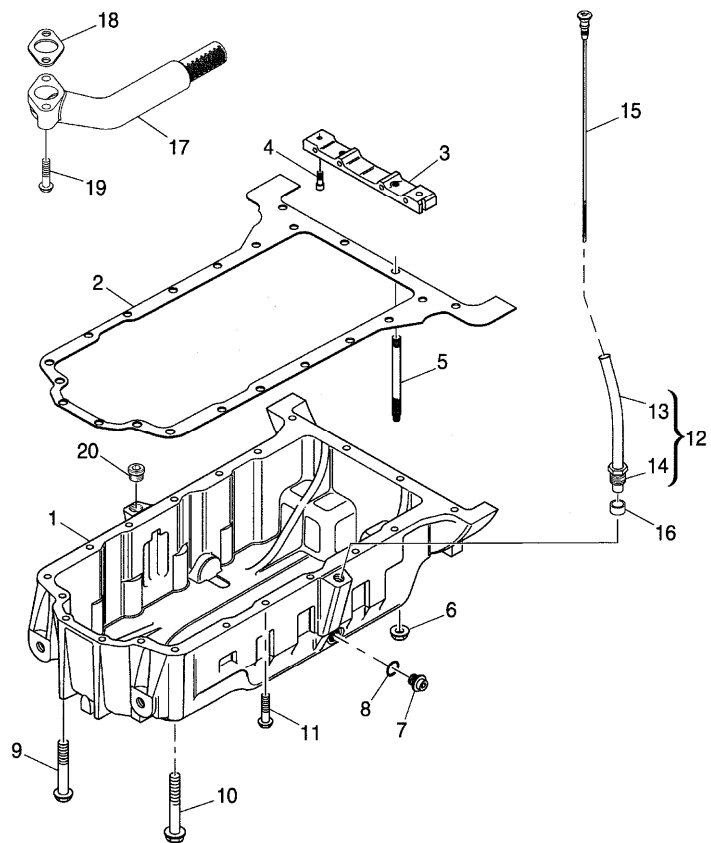
A-05  
125



A05125

Oil sump

A For tractor long with base "lwb"



Engine

Cx xtrashift tier 3 restyling (2009-2011) - RPC4 - 100

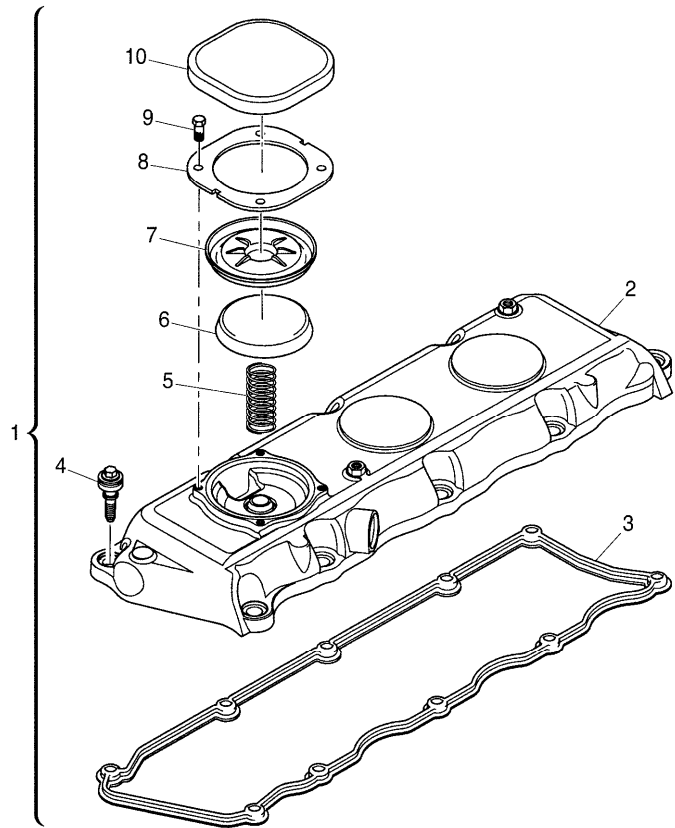
RPC4\000020533.png

A-05  
13



A0513

Cylinder head cover



				Inglese
1	4142X325	●	T417478(1)	1 Coperch.
2		!	1	1 Cover
3	3681A055	▶	Ref.n.1	
4	2161A013	!	1	1 Gasket
		▶	Ref.n.1	10 Screw
5	3174A017	!	1	1 Spring
6	3788A002	!	1	1 Cap
7	3789A001	!	1	1 Diaphragm
8	3615A009	!	1	1 Plate
9	2151A001	!	1	4 Screw
10	3788A003	!	1	1 Cap
!				This is a component of an assembly
▶				Not serviced, order
●				Replacement

**<https://www.ebooklibonline.com>**

Hello dear friend!

Thank you very much for reading.

Enter the link into your browser.

The full manual is available for immediate download.

**<https://www.ebooklibonline.com>**