

Engine

Cx Xtrashift tier 3 (2008-2009) - RPC2 - 110

RPC2\00005987.PNG

A-05  
01



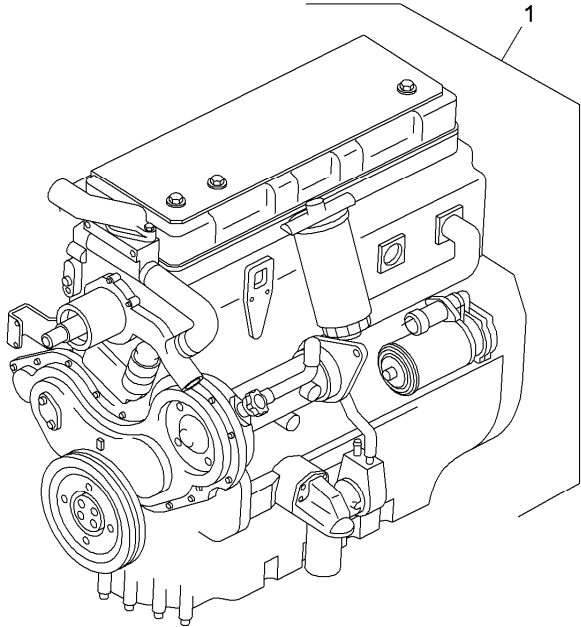
A0501

Engine assembly

1 716224A1

Inglese

Engine



Engine

Cx Xtrashift tier 3 (2008-2009) - RPC2 - 110

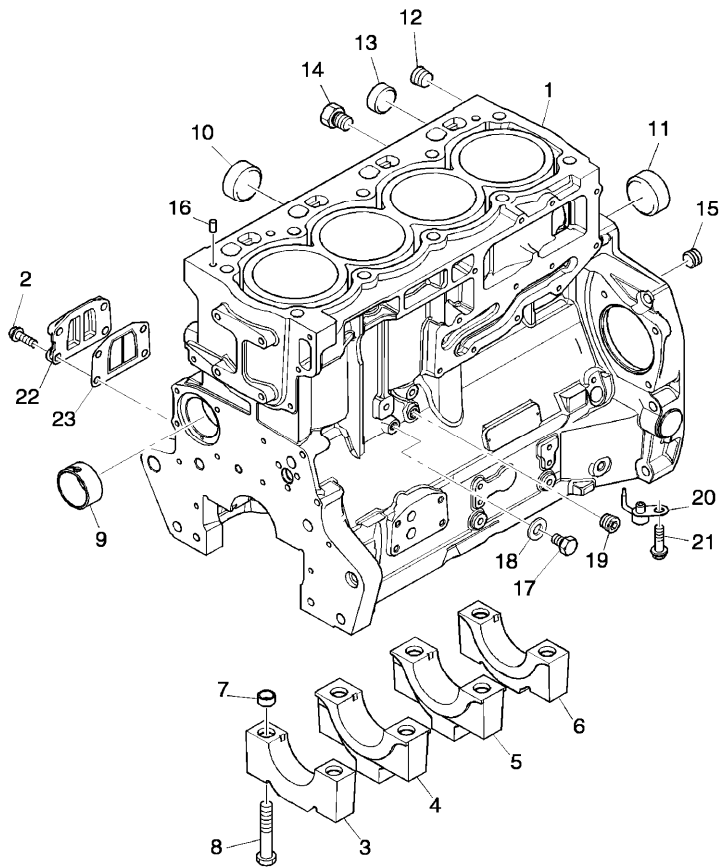
RPC2\000022252.png

**A-05  
02**



A0502

Cylinders block



		Inglese
1	⊕ A-05 01 1	1 Engine
2	2314H034	4 Screw
3	! 1	1 Bearing cup
	➡ Ref.n.1	
4	! 1	1 Bearing cup
	➡ Ref.n.1	
5	! 1	1 Bearing cup
	➡ Ref.n.1	
6	! 1	1 Bearing cup
	➡ Ref.n.1	
7	33142111	10 Manicott
8	32166329	10 Screw
9	3112D071	1 Bush
	● 3112D075(1)	
10	3241A011	2 Plug
11	3241A012	1 Plug
12	0650588	1 Plug
13	0650710	1 Plug
14	32141316	1 Plug
15	3212P008	1 Plug
16	3244A009	2 Dowel
17	2314C049	1 Screw
18	2415D053	1 Washer
19	0650594	1 Plug
20	2113A003	4 Atomiser
21	2314F001	4 Screw

Engine

Cx Xtrashift tier 3 (2008-2009) - RPC2 - 110

A-05  
02



A0502

Cylinders block

RPC2\000022252.png

Inglese

22 3753A071

1 Coperch.

23 3688A041

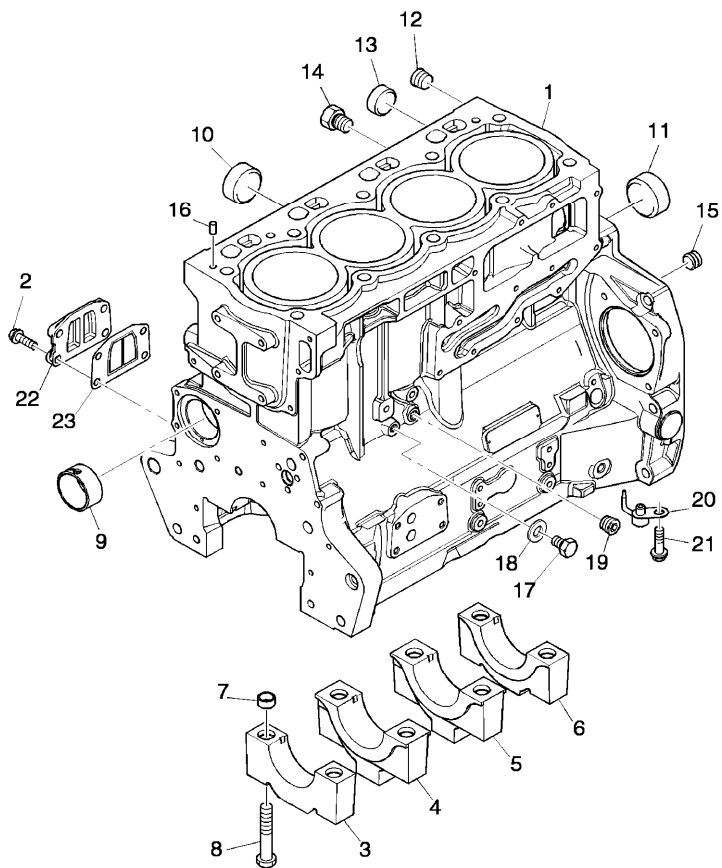
1 Gasket

! This is a component of an assembly

👁 See page - reference number

📄 Not serviced, order

● Replacement



**<https://www.ebooklibonline.com>**

Hello dear friend!

Thank you very much for reading.

Enter the link into your browser.

The full manual is available for immediate download.

**<https://www.ebooklibonline.com>**

Engine

Cx Xtrashift tier 3 (2008-2009) - RPC2 - 110

RPC2\000015074.png

A-05  
03



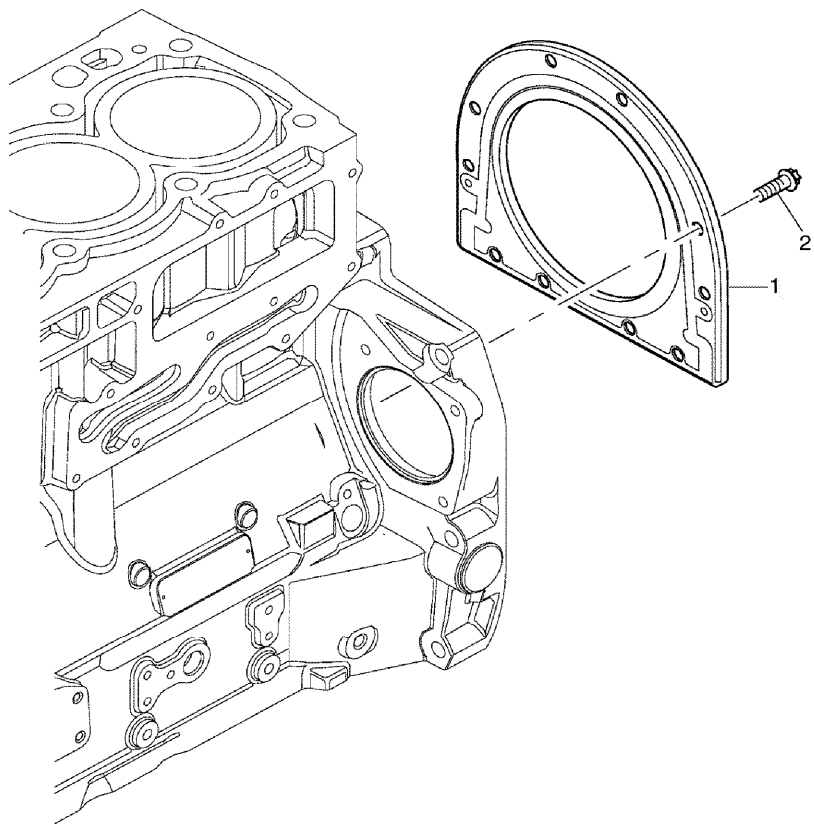
A0503

End cover

Inglese

- 1 2418F704
- 2 3211C002

- 1 Housing
- 10 Screw



Engine

Cx Xtrashift tier 3 (2008-2009) - RPC2 - 110

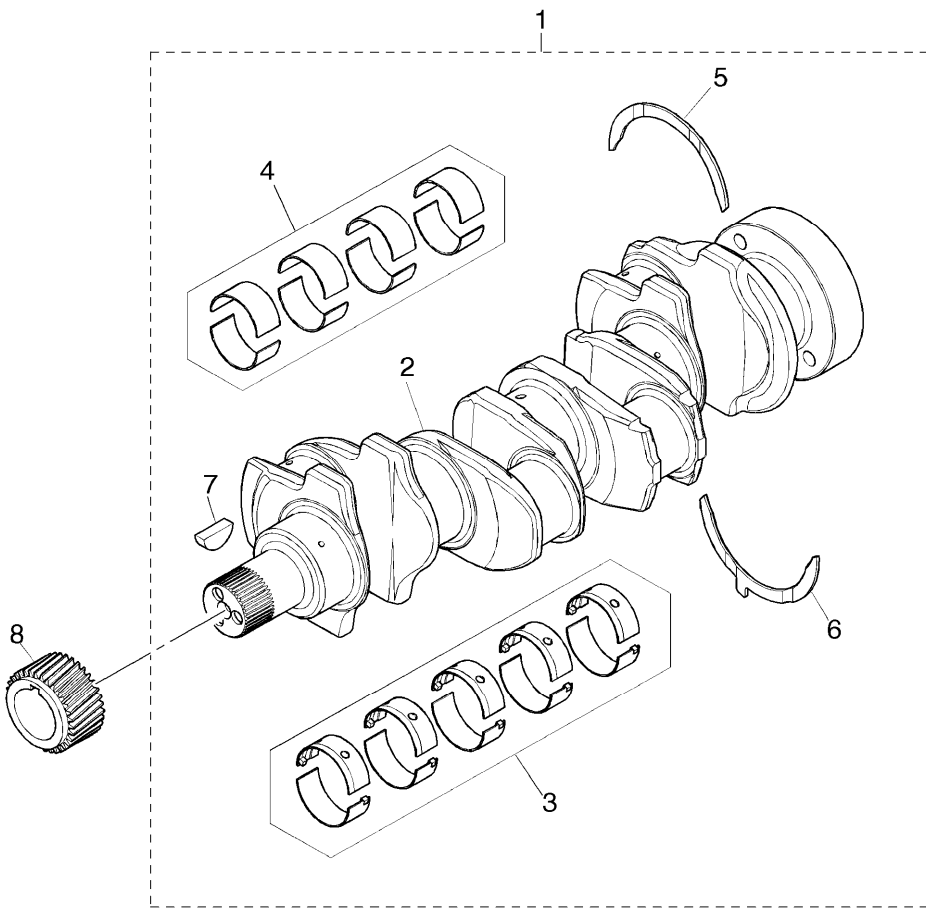
RPC2\000022253.png

A-05  
04



A0504

Crankshaft



		Inglese	
1	ZZ90222	➔ U491476 t	1 Kit
		● ZZ90239(1)	
1	ZZ90237	➔ U491477 t	1 Shaft
2		! 1	1 Crankshaft
		➔ Ref.n.1	
3	U5MB0018	! 1	1 Kit
		● U5MB0033(1)	
3	U5MB0018A	! 1	1 Kit
		⚡ 0.010 mm	
		● U5MB0033A(1)	
3	U5MB0018B	! 1	1 Kit
		⚡ 0.020 mm	
		● U5MB0033B(1)	
3	U5MB0018C	! 1	1 Kit
		⚡ 0.030 mm	
		● N.L.A.(1)	
4	T400002	! 1	1 Kit
		➔ U491477 t	
		● T410927(1)	
4	U5ME0026	! 1	1 Kit
		➔ U491476 t	
		● U5ME0034(1)	
4	U5ME0026A	! 1	1 Kit
		⚡ 0.25 mm	
		➔ U491476 t	
		● U5ME0034A(1)	

Engine

Cx Xtrashift tier 3 (2008-2009) - RPC2 - 110

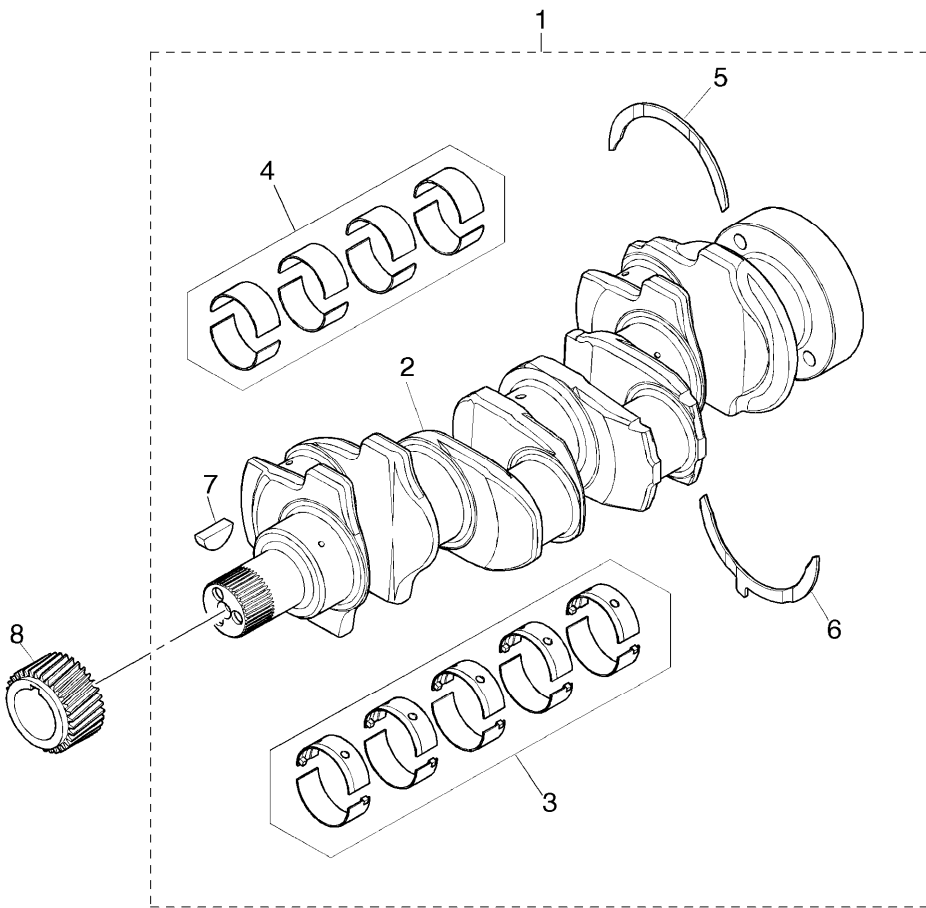
RPC2\000022253.png

A-05  
04



A0504

Crankshaft



Inglese

4	U5ME0026B	!	1	1 Kit
		⚡	0.50 mm	
		➔	U491476 t	
		●	U5ME0034B(1)	
4	U5ME0026C	!	1	1 Kit
		⚡	0.75 mm	
		➔	U491476 t	
		●	U5ME0034C(1)	
5	31137312	!	1	2 Ring
		⚡	0.007 mm	
5	31137551	!	1	2 Washer
6	31137322	!	1	2 Ring
		⚡	0.007 mm	
6	31137561	!	1	2 Washer
7	0500012	!	1	1 Key
8	3117C221	!	1	1 Gear

- ! This is a component of an assembly
- ➔ From serial or engine number
- ➕ Up to serial or engine number
- ⚡ Not serviced, order
- ⚡ Shim
- Replacement

Engine

Cx Xtrashift tier 3 (2008-2009) - RPC2 - 110

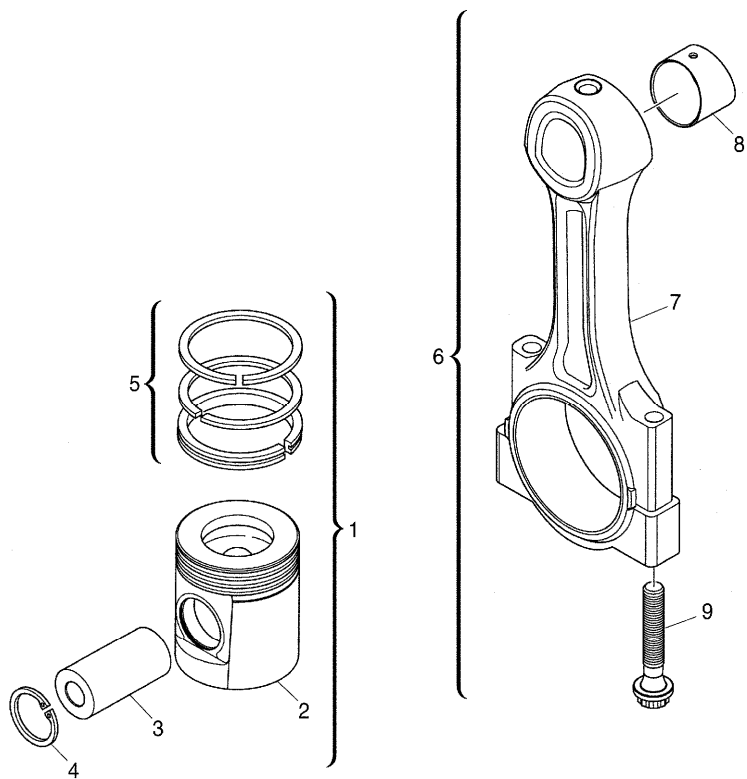
**A-05**  
**05**



A0505

Pistons and connecting rods

RPC2\000020562.png



			Inglese
1	U5PR0062	Std	4 Kit
1	U5PR0062B	+0,5 mm	4 Kit
2		!	1 Piston
		➡	Ref.n.1
3		!	1 Piston
		➡	Ref.n.1
4	2721332	!	2 Ring
5	UPRK0005	!	1 Kit
6	4115C311	➡	4 Kit
		A	
6	4115C312	➡	4 Kit
		B	
6	4115C313	➡	4 Kit
		C	
6	4115C314	➡	4 Kit
		D	
6	4115C315	➡	4 Kit
		E	
6	4115C316	➡	4 Kit
		F	
6	4115C361	➡	4 Conrod
		A	
6	4115C362	➡	4 Conrod
		B	
6	4115C363	➡	4 Conrod
		C	

Engine

Cx Xtrashift tier 3 (2008-2009) - RPC2 - 110

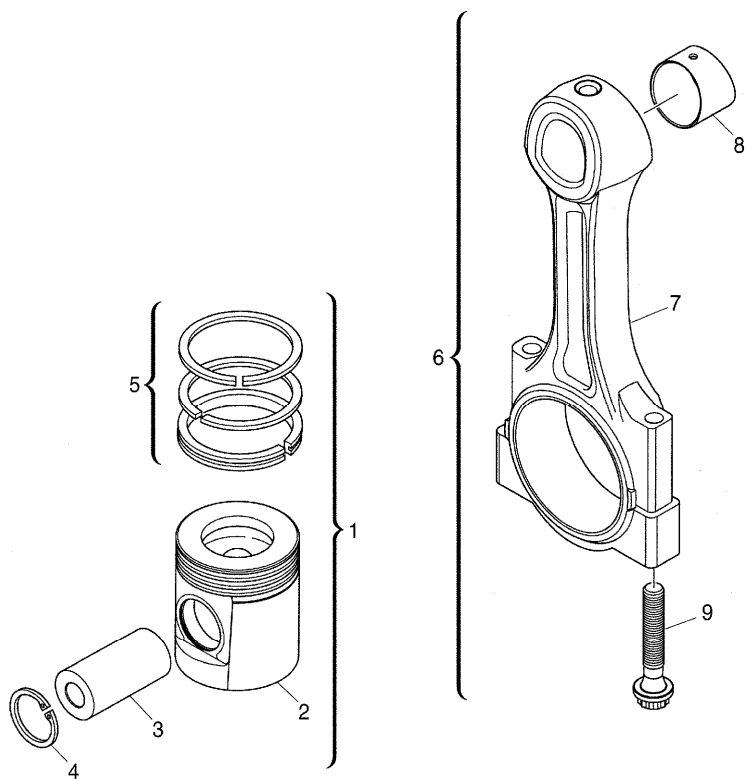
RPC2\000020562.png

**A-05**  
**05**



A0505

Pistons and connecting rods



		Inglese	
6	4115C364	➡ U491478 t D	4 Conrod
6	4115C365	➡ U491478 t E	4 Conrod
6	4115C366	➡ U491478 t F	4 Conrod
7		! 6 ➡ Ref.n.6	1 Conrod
8	3112A005	! 6	1 Bush
9	3212V003	! 6	2 Screw
!		This is a component of an assembly	
➡		From serial or engine number	
➡		Up to serial or engine number	
➡		Not serviced, order	
A	Red		
B	Orange		
C	White		
D	Green		
E	Purple		
F	Blue		

Engine

Cx Xtrashift tier 3 (2008-2009) - RPC2 - 110

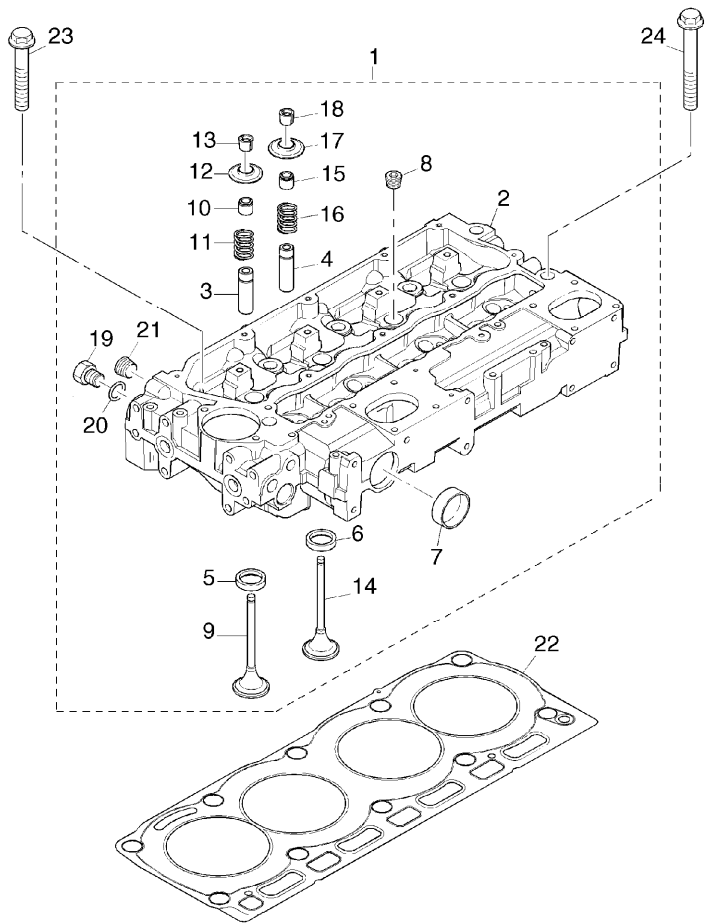
RPC2\000022254.png

**A-05  
06**



A0506

Cylinder head



1	ZZ80279		
2		!	1
3	3313A012	!	1
4	3313A012	!	1
5	3314A221	!	1
6	3314A231	!	1
7	32416117	!	1
8	0650588	!	1
9	3142H101	!	1
10	2418M519	!	1
	A		
11	3174A031	!	1
	● T417479(4)		
12	3342A021	!	1
13	2714A002	!	1
14	3142A171	!	1
15	2418M517	!	1
	B		
16	3174A031	!	1
	● T417479(4)		
17	3342A021	!	1
18	2714A002	!	1
19	3278A006	!	1
20	2415H003	!	1

**Inglese**

1	Cylinder head
1	Cylinder head
	Ref.n.1
4	Insert
4	Insert
4	Insert
4	Insert
2	Plug
4	Plug
4	Valve
4	Ring
4	Spring
4	Coperch.
8	Collar
4	Valve
4	Ring
4	Spring
4	Coperch.
8	Collar
1	Plug
1	Ring

Engine

A-05  
06

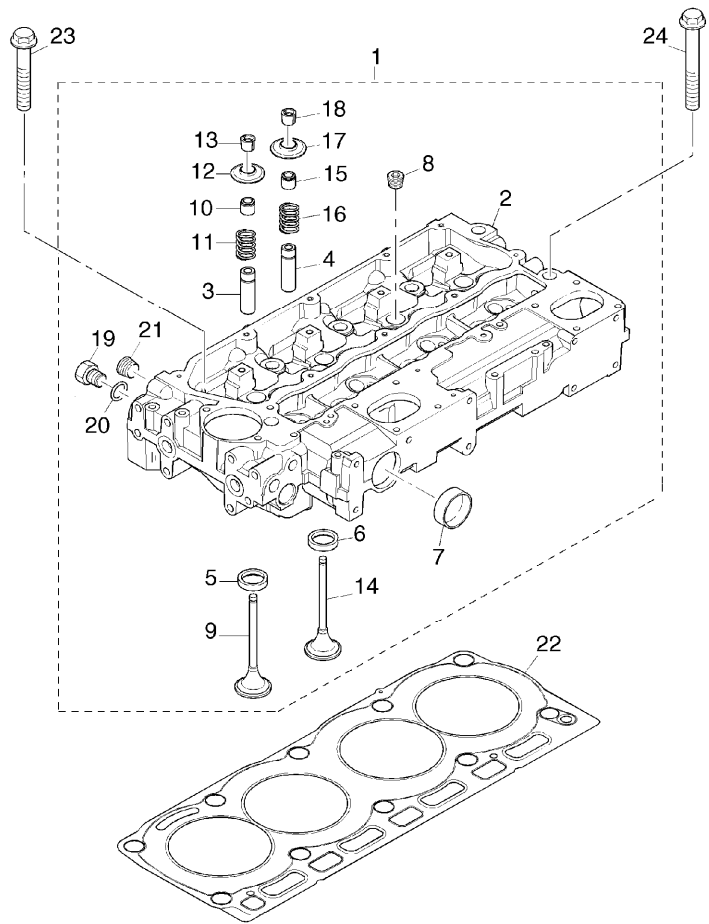
Cylinder head

Cx Xtrashift tier 3 (2008-2009) - RPC2 - 110



A0506

RPC2\000022254.png



21 2431154 ! 1

22 3681E051

23 3218A011

24 3218A012

! This is a component of an assembly

🔧 Not serviced, order

🔩 Replacement

A Green

B Brown

Inglese

2 Plug

1 Gasket

7 Screw

3 Screw

Engine

Cx Xtrashift tier 3 (2008-2009) - RPC2 - 110

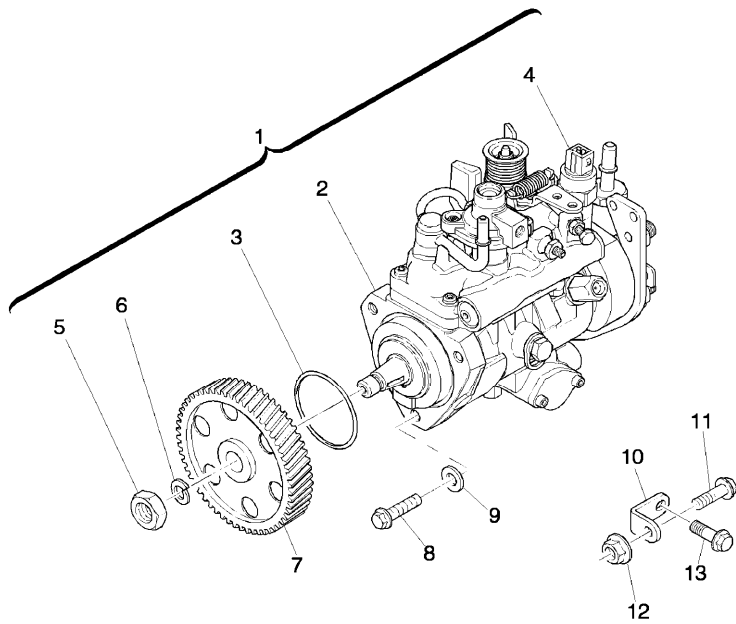
RPC2\000022255.png

A-05  
07



A0507

Injection pump assy



- |    |                                    |   |         |  |
|----|------------------------------------|---|---------|--|
| 1  | 2644C318/22                        |   |         |  |
| 2  |                                    | ! | 1       |  |
|    |                                    | ➡ | Ref.n.1 |  |
| 3  | 26420318                           | ! | 1       |  |
| 4  | 26420469                           | ! | 1       |  |
| 5  | 2318A108                           | ! | 1       |  |
| 6  | K134AF01                           | ! | 1       |  |
| 7  | 3117L261                           |   |         |  |
| 8  | 2314H004                           |   |         |  |
| 9  | 2411D008                           |   |         |  |
| 10 | 3641A007                           |   |         |  |
| 11 | 2314H003                           |   |         |  |
| 12 | 2318A603                           |   |         |  |
| 13 | 2314J002                           |   |         |  |
| !  | This is a component of an assembly |   |         |  |
| ➡  | Not serviced, order                |   |         |  |

Inglese

- |   |          |
|---|----------|
| 1 | Pump     |
| 1 | Pump     |
| 1 | Ring     |
| 1 | Solenoid |
| 1 | Nut      |
| 1 | Washer   |
| 1 | Gear     |
| 3 | Screw    |
| 3 | Washer   |
| 1 | Stirrup  |
| 1 | Screw    |
| 1 | Nut      |
| 1 | Screw    |

Engine

Cx Xtrashift tier 3 (2008-2009) - RPC2 - 110

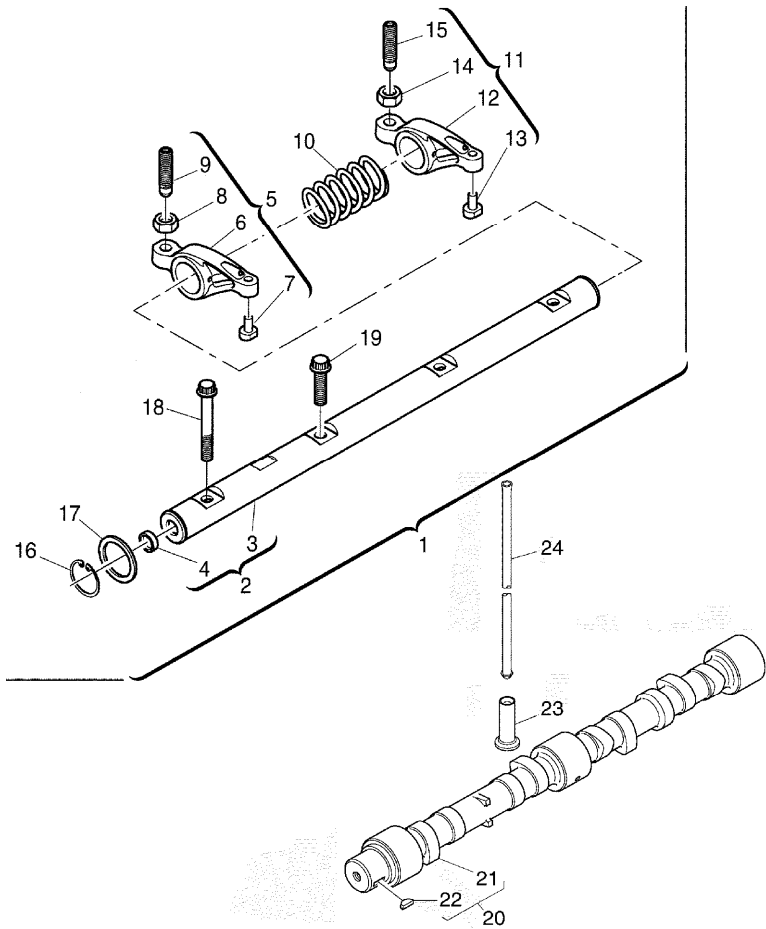
RPC2\000015075.png

A-05  
08



A0508

Rocker shaft



			Inglese
1	4115R613		1 Axle
2	4115R703	! 1	1 Shaft
3		! 2	1 Axe
4	2485A104	! 2	2 Plug
5	4115R319	! 1	4 Lever
6		! 5	1 Rocker
7		! 5	1 Pad
8	3331A006	! 5	1 Nut
9	3211C004	! 5	1 Screw
10	3174A015	! 1	3 Spring
11	4115R318	! 1	4 Lever
12		! 11	1 Rocker
13		! 11	1 Pad
14	3331A006	! 11	1 Nut
15	3211C004	! 11	1 Screw
16	2722A022	! 1	2 Ring
17	2134A502	! 1	2 Washer
18	2316A901	! 1	1 Screw
19	2316A902	! 1	3 Screw
20	4112K027		1 Shaft

Engine

Cx Xtrashift tier 3 (2008-2009) - RPC2 - 110

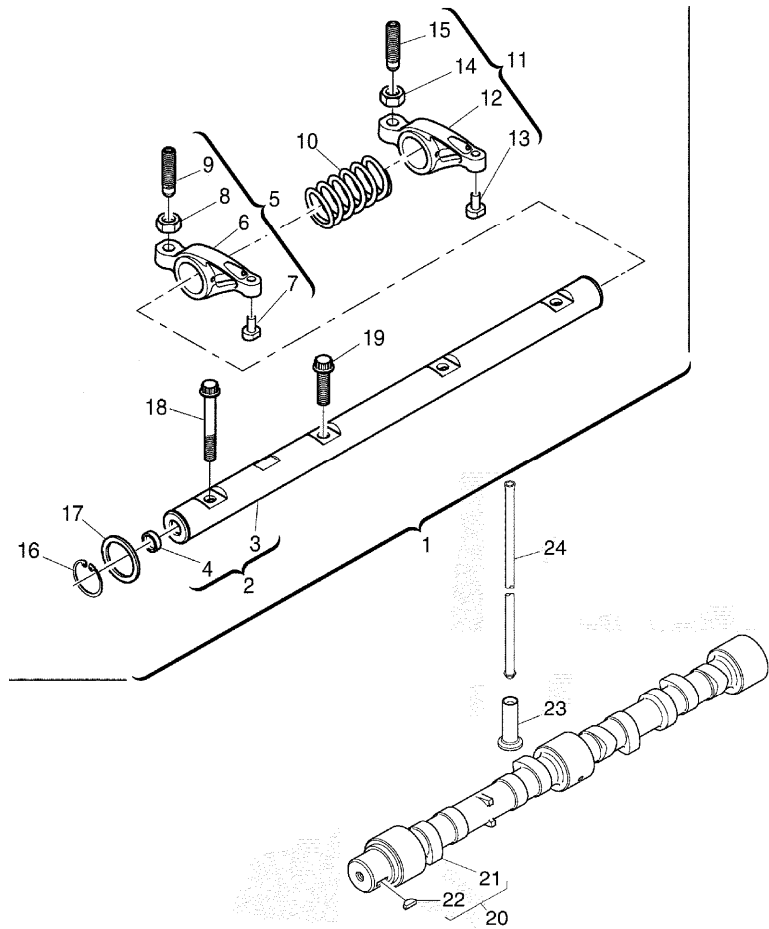
RPC2\000015075.png

A-05  
08



A0508

Rocker shaft



- 21 ! 20
- 22 0500012 ! 20
- 23 3142U061 ! 20
- 24 3142V011 ! 20
- ! This is a component of an assembly
- ▣ Not serviced, order

Inglese

- 1 Shaft
- 1 Key
- 8 Tappet
- 8 Rod

Engine

Cx Xtrashift tier 3 (2008-2009) - RPC2 - 110

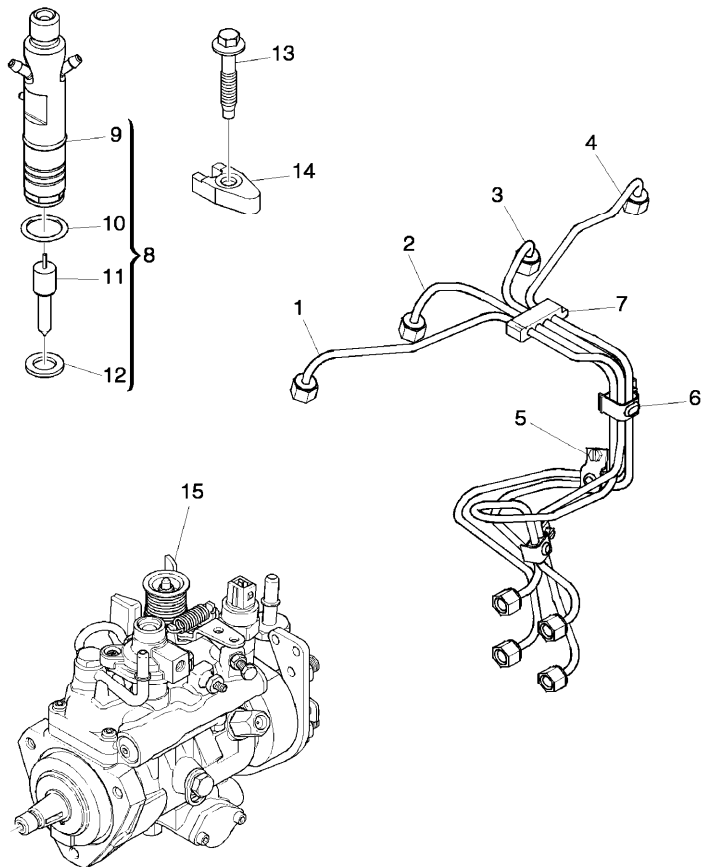
RPC2\000022256.png

**A-05  
09**



A0509

Fuel injection equipment (diesel)



		Inglese
1	3525A101	1 Pipe
2	3525A102	1 Pipe
3	3525A103	1 Pipe
4	3525A104	1 Pipe
5	2481Y011	2 Clip
6	2481Y012	1 Clip
7	2646E019	1 Clip
8	2645K025	4 Nozzle
9	! 8	1 Nozzle
	➡ Ref.n.8	
10	26460064 ! 8	1 Ring
11	! 8	1 Nozzle
	➡ Ref.n.8	
12	L311FF02 ! 8	1 Washer
13	2314W009 ! 8	4 Screw
14	3751A241	4 Clamp
15	👁 A-05 07 1	1 Injection pump

! This is a component of an assembly

👁 See page - reference number

➡ Not serviced, order

Engine

Cx Xtrashift tier 3 (2008-2009) - RPC2 - 110

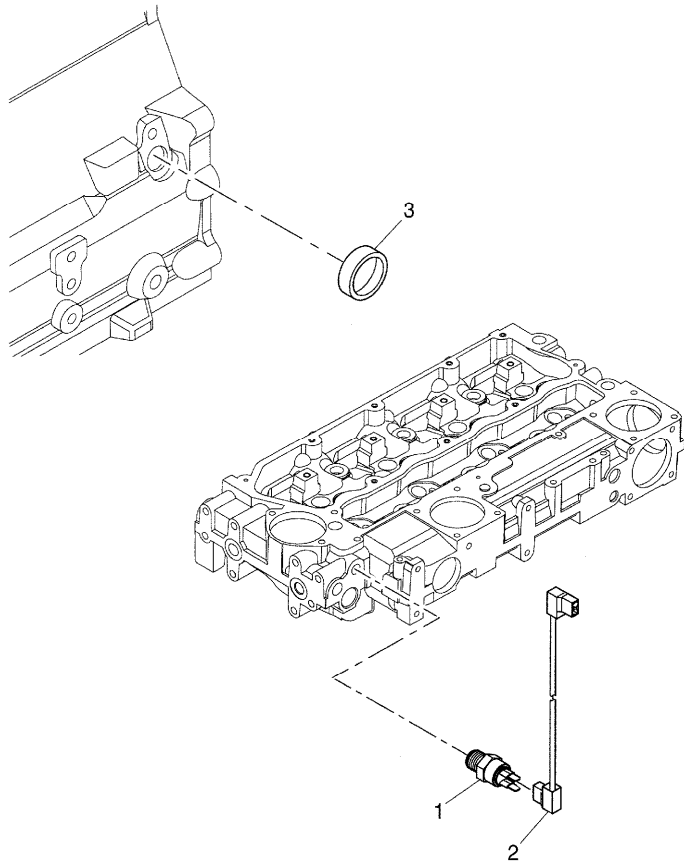
RPC2\000020530.png

A-05  
10



A0510

Sensor pickup



- 1 2848A123
- 2 3161C017
- 3 2485A109

Inglese

- 1 Sensor
- 1 Cable
- 1 Plug

Engine

Cx Xtrashift tier 3 (2008-2009) - RPC2 - 110

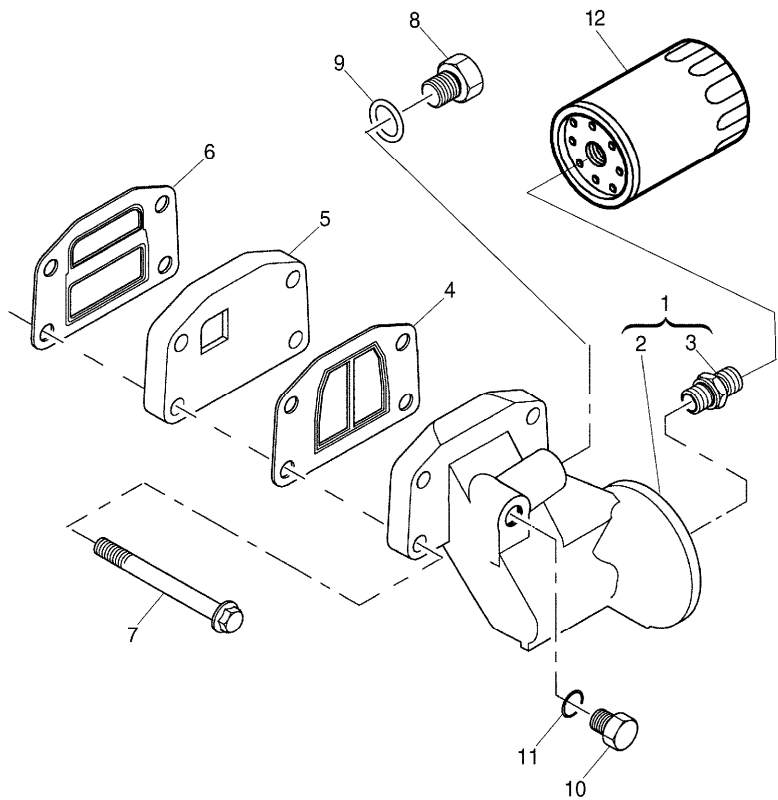
RPC2\000020539.png

A-05  
11



A0511

Lube oil filters



			Inglese	
1	4134E057	●	3773A071(1)	1 Head
2		!	1	1 Head
3	33554128	➡	Ref.n.1	1 Union
4	3688A041	!	1	1 Gasket
5	3773A081	!	1	1 Adaptor
6	3688A039	!	1	1 Gasket
7	2314H038	!	1	4 Screw
8	3278A004	!	1	1 Plug
9	2415H002	!	1	1 Ring
10	3278A007	!	1	1 Plug
11	2415H009	!	1	1 O ring
12	701899A1	!	1	1 Oil filter

- ! This is a component of an assembly
- ➡ Not serviced, order
- Replacement

Engine

Cx Xtrashift tier 3 (2008-2009) - RPC2 - 110

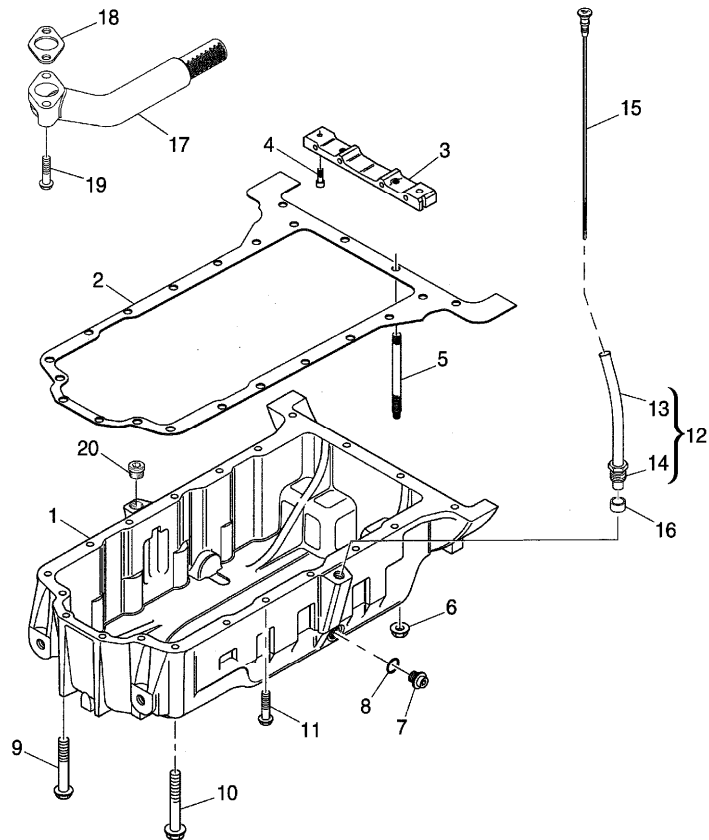
RPC2\000014129.png

A-05  
12



A0512

Oil sump



- 1 3717E261
  - 2 3681K036
  - 3 3627P041
  - 4 2311D039
  - 5 3211P013
  - 6 2318A603
  - 7 32186405
  - 8 2415715
  - 9 2314H023
  - 10 2314H022
  - 11 2314H015
  - 12 3577A125
  - 13
  - 14 3353D005
  - 15 3178C088
  - 16 33812116
  - 17 3765A111
  - 18 36832137
  - 19 2314H006
  - 20 2431A016
- ! This is a component of an assembly
- ➡ Not serviced, order
- Replacement

● 2314H052(1)

➡ Ref.n.12

! 12

Inglese

- 1 Sump
- 1 Gasket
- 1 Crosspiece
- 2 Screw
- 2 Stud
- 2 Nut
- 2 Plug
- 2 Ring
- 5 Screw
- 1 Screw
- 12 Screw
- 1 Pipe
- 1 Pipe
- 1 Nut
- 1 Rod
- 1 Olive
- 1 Pipe
- 1 Gasket
- 2 Screw
- 1 Plug

Engine

Cx Xtrashift tier 3 (2008-2009) - RPC2 - 110

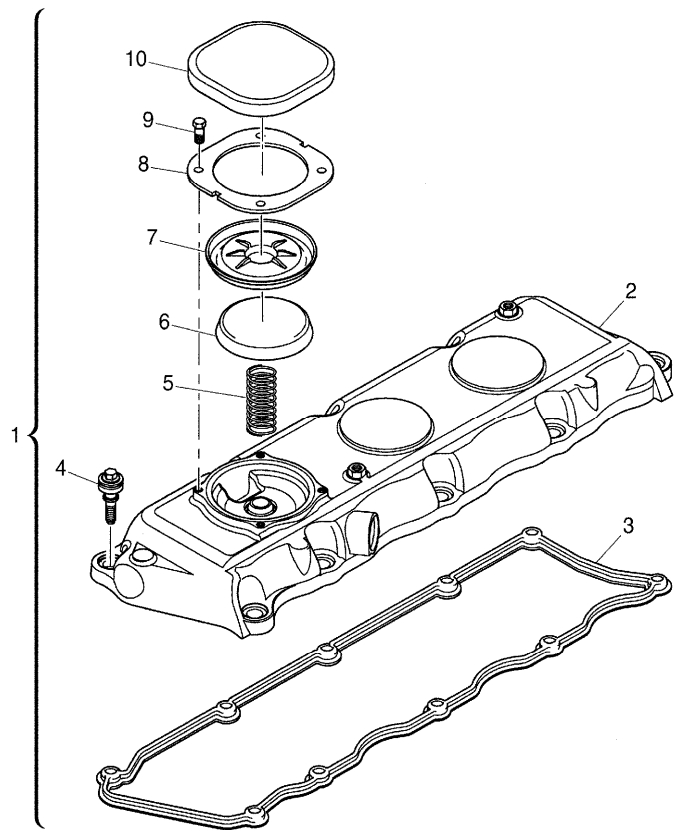
**A-05  
13**



A0513

Cylinder head cover

RPC2\000020533.png



				Inglese
1	4142X325	●	T417478(1)	1 Coperch.
2		!	1	1 Cover
3	3681A055	▶	Ref.n.1	
4		!	1	1 Gasket
5	3174A017	▶	Ref.n.1	
6	3788A002	!	1	1 Spring
7	3789A001	!	1	1 Cap
8	3615A009	!	1	1 Diaphragm
9	2151A001	!	1	1 Plate
10	3788A003	!	1	4 Screw
		!		1 Cap
		!	This is a component of an assembly	
		▶	Not serviced, order	
		●	Replacement	

Engine

Cx Xtrashift tier 3 (2008-2009) - RPC2 - 110

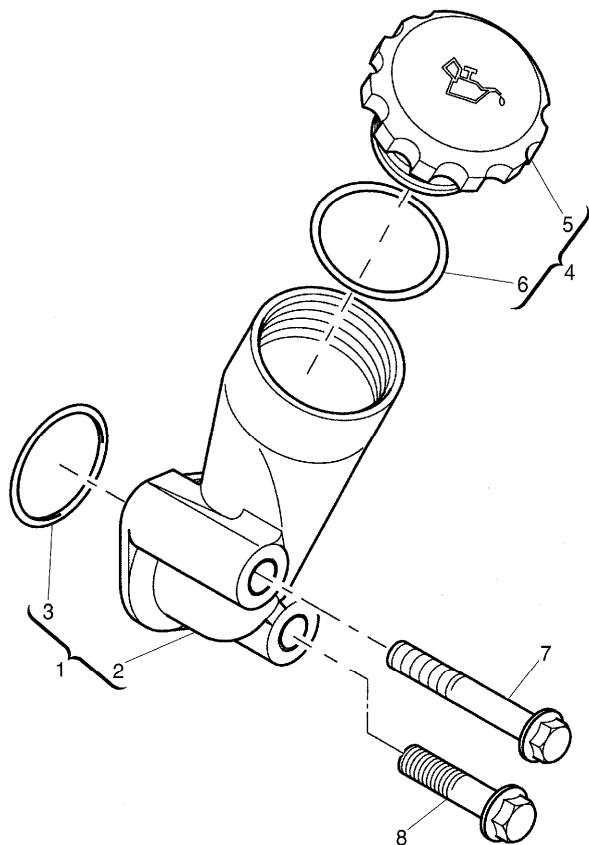
RPC2\000020589.png

A-05  
14



A0514

Filler



				Inglese
1	4134C019	●	N.L.S.(1)	1 Filler
2		!	1	1 Body
		➡	Ref.n.1	
3	2415B121	!	1	1 O ring
4	4142X098	!	1	1 Plug
5		!	4	1 Plug
		➡	Ref.n.4	
6	2415633	!	4	1 O ring
7	2314K161			1 Screw
8	2314H008			1 Screw

- ! This is a component of an assembly
- ➡ Not serviced, order
- Replacement

Engine

Cx Xtrashift tier 3 (2008-2009) - RPC2 - 110

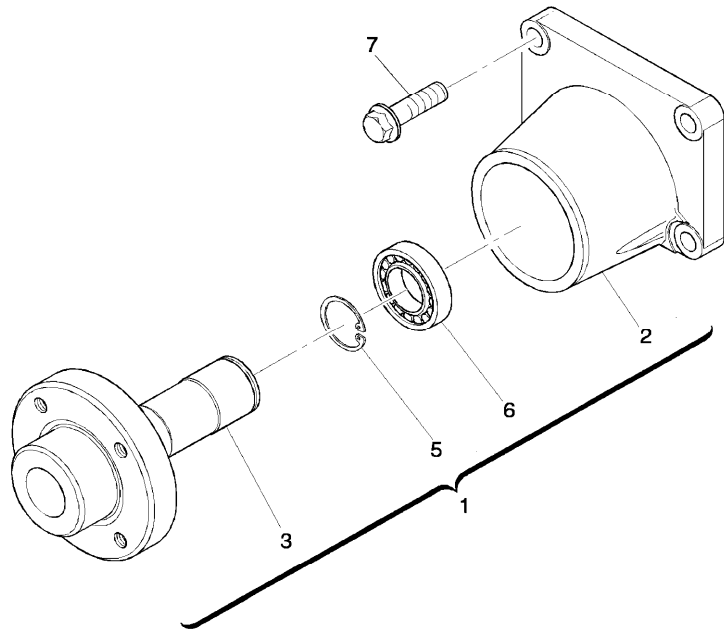
RPC2\000022257.png

**A-05  
15**



A0515

Fan's support



- 1 4113K007
  - 2 ! 1
  - 3 ! 1
  - 4 ! 1
  - 5 2722A022 ! 1
  - 6 ! 1
  - 7 2314J005 ! 1
- ! This is a component of an assembly  
➤ Not serviced, order

**Inglese**

- 1 Stirrup
- 1 Stirrup
- 1 Hub
- 1 Spacer
- 1 Ring
- 2 Bearing
- 4 Screw

Engine

Cx Xtrashift tier 3 (2008-2009) - RPC2 - 110

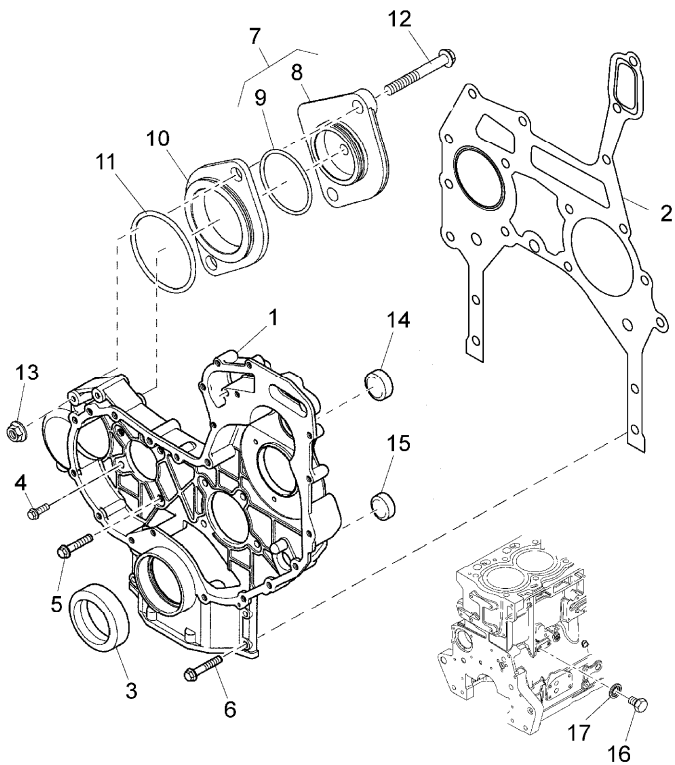
RPC2\000015081.png

**A-05  
16**



A0516

Gasket sets



		Inglese
1	3716C581	1 Housing
2	3681P053	1 Gasket
3	2418F437	1 Gasket
4	2314H003	6 Screw
5	2314H006	2 Screw
6	2314H034	4 Screw
7	4148K012	1 Plate
8	!	7
	➡	Ref.n.7
9	2415H515	! 7
		1 Ring
10	3617A021	1 Disc
11	2415H516	1 O ring
12	2314J014	2 Screw
13	2318A604	2 Nut
14	2485A124	1 Plug
15	2485A124	1 Plug
16	2314C049	1 Screw
17	2415D053	1 Washer

! This is a component of an assembly  
 ➡ Not serviced, order

Engine

Cx Xtrashift tier 3 (2008-2009) - RPC2 - 110

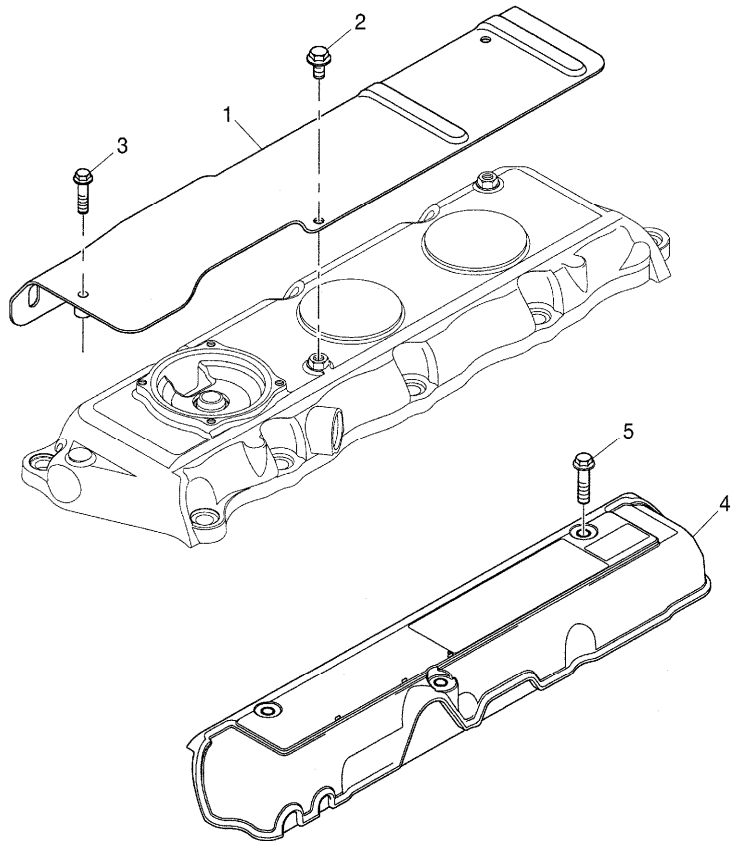
RPC2\000020537.png

A-05  
17



A0517

Cylinder head cover



- 1 3812A026
- 2 2314F001
- 3 2314F006
- 4 3788N003
- 5 2314F003

Inglese

- 1 Heatshield
- 2 Screw
- 1 Screw
- 1 Cover
- 3 Screw

Engine

Cx Xtrashift tier 3 (2008-2009) - RPC2 - 110

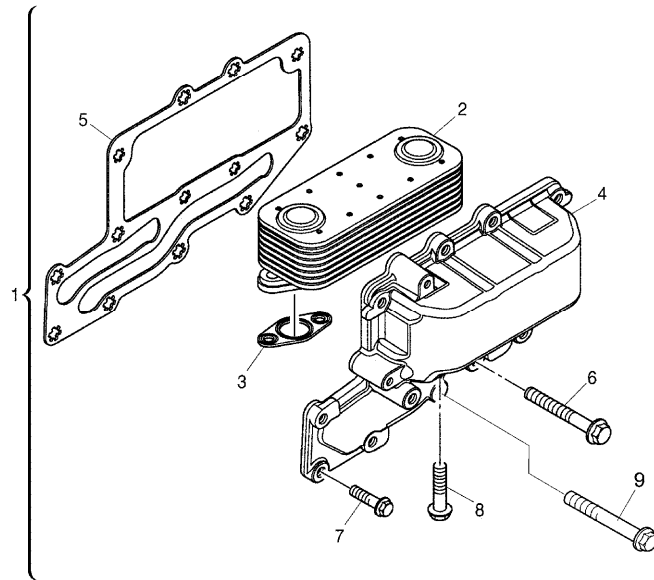
RPC2\000015031.png

A-05  
18



A0518

Oil bath air filter - lautrette



1	4134W021	●	4134W025(1)
2	2486A217	!	1
3	3685A025	!	1
4		!	1
		➡	Ref.n.1
5	3685A033	!	1
6	2314K161	!	1
7	2314H004	!	1
8	2314H006	!	1
9	2311D060	!	1

Inglese

1	Radiator
1	Exchanger
2	Ring
1	Cooler
1	Gasket
3	Screw
8	Screw
4	Screw
2	Screw

- ! This is a component of an assembly
- ➡ Not serviced, order
- Replacement

Engine

Cx Xtrashift tier 3 (2008-2009) - RPC2 - 110

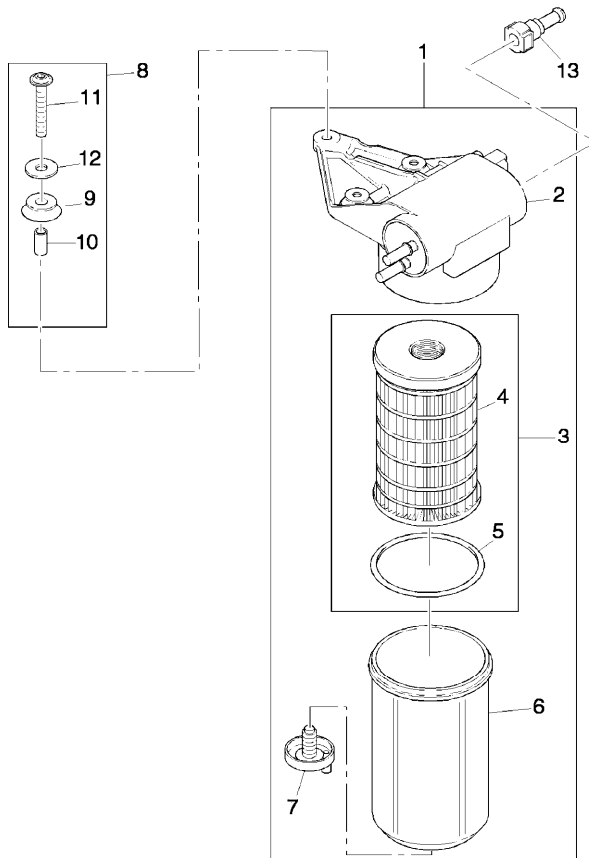
RPC2\000022264.png

**A-05  
19**



A0519

Lift pump



				Inglese
1	4132A018	●	N.L.S.(1)	1 Pump
2		!	1	1 Pump
3	26560201	!	1	1 Filter
4		!	2	1 Filter
5		!	2	1
6	2656F837	!	1	1 Bowl
7	2656F836	!	1	1 Valve
8	U5MK1239			1 Support
9		!	8	6 Support
10		!	8	3 Spacer
11	2316T135	!	8	3 Screw
12	2131A507	!	8	3 Washer
13	3763A046			1 Connection
		!	This is a component of an assembly	
		➤	Not serviced, order	
		●	Replacement	

Engine

Cx Xtrashift tier 3 (2008-2009) - RPC2 - 110

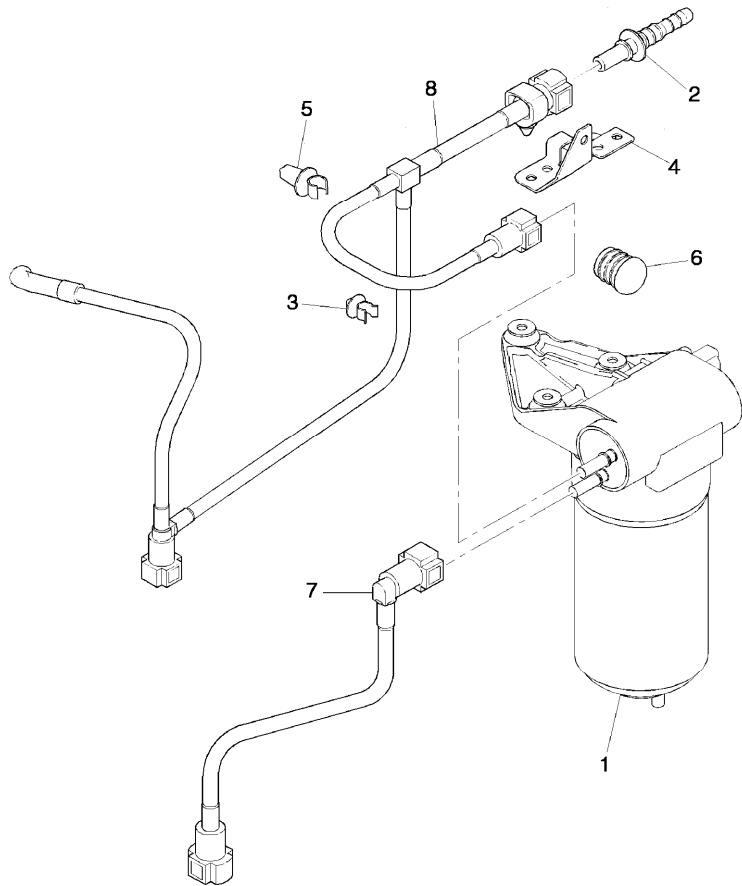
RPC2\000022265.png

**A-05  
20**



A0520

Lift pump



- 1 A-05 19 1
- 2 3763A045
- 3 2481D456
- 4 3661A091
- 5 2481D559
- 6 2487A401
- 7 2646F001
- 8 2646F009
- See page - reference number

**Inglese**

- 1 Pump
- 1 Connection
- 1 Clip
- 1 Stirrup
- 1 Clip
- 1 Plug
- 1 Pipe
- 1 Pipe



**Suggest:**

**For more complete manuals. Please go to the home page.**

**<https://www.ebooklibonline.com>**

**If the above button click is invalid. Please download this document first, and then click the above link to download the complete manual.**

**Thank you so much for reading**

Engine

Cx Xtrashift tier 3 (2008-2009) - RPC2 - 110

RPC2\000014134.png

**A-05  
21**



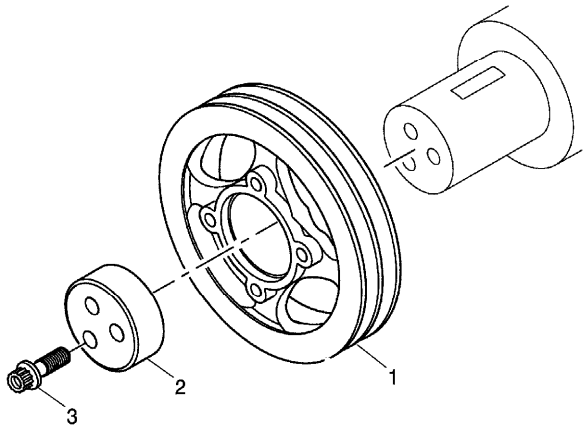
A0521

Front end drive input - auxiliary drive

- 1 3115T051
- 2 3241N001
- 3 32186137

**Inglese**

- 1 Pulley
- 1 Block
- 3 Screw



Engine

Cx Xtrashift tier 3 (2008-2009) - RPC2 - 110

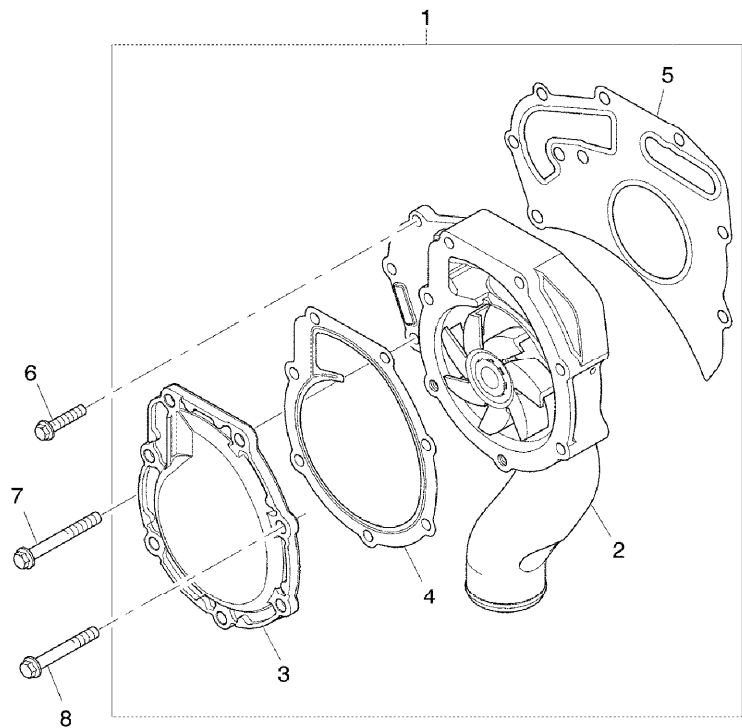
RPC2\000015083.png

A-05  
22



A0522

Water pump



		Inglese	
1	U5MW0201	● U5MW0208(1)	1 Kit
2		! 1	1 Pump
		➡ Ref.n.1	
3		➡ Ref.n.1	1 Guard
		! 1	
4	24880234	! 1	1 Guard
5	3682A011	! 1	1 Gasket
6	2314H005		2 Screw
7	2314K164		2 Screw
8	2314H012		5 Screw

- ! This is a component of an assembly
- ➡ Not serviced, order
- Replacement

**<https://www.ebooklibonline.com>**

Hello dear friend!

Thank you very much for reading.

Enter the link into your browser.

The full manual is available for immediate download.

**<https://www.ebooklibonline.com>**