

Engine

Cx Xtrashift tier 3 (2008-2009) - RPC2 - 105

RPC2\00005987.PNG

A-05
01



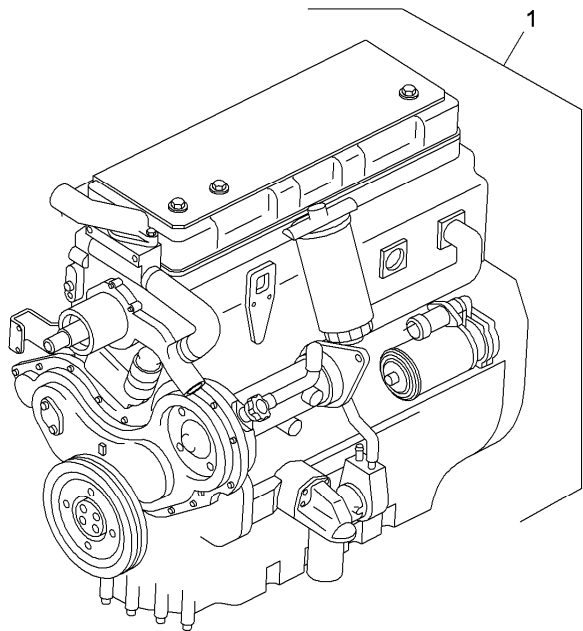
A0501

Engine assembly

1 716220A1

Inglese

1 Engine



Engine

Cx Xtrashift tier 3 (2008-2009) - RPC2 - 105

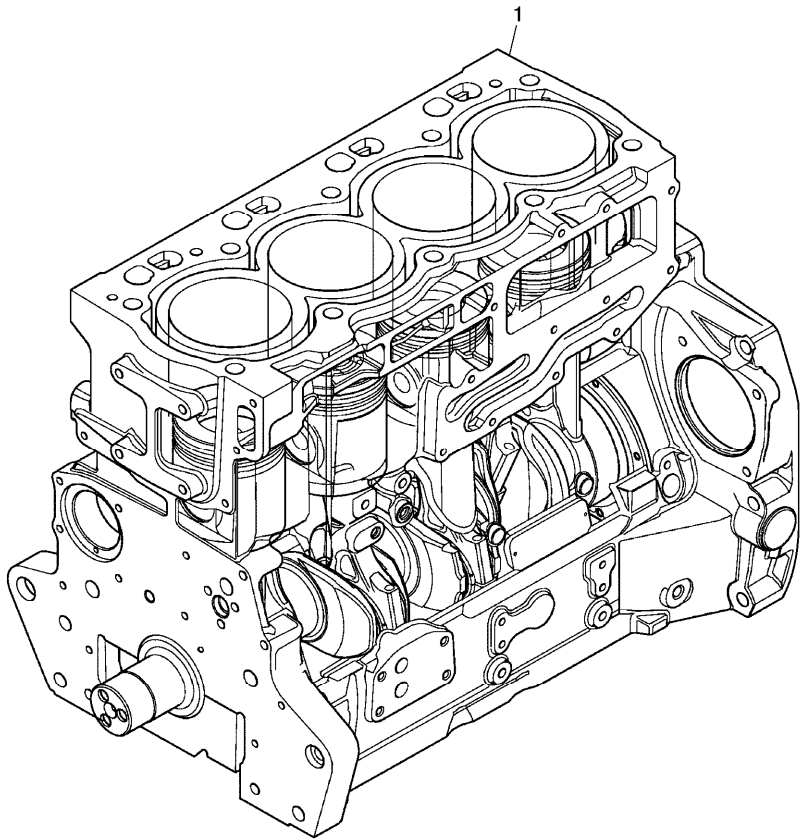
RPC2\000015070.png

**A-05
015**



A05015

Short engine



Inglese

- | | | | | | |
|---|---------|--|----------------------------------|---|--------------|
| 1 | NM40008 | | U056074 t | 1 | Short engine |
| | | | 3115A141(1),
32186146(3), NM4 | | |
| 1 | NM40019 | | U056075 t | 1 | Short engine |

- From serial or engine number
- Up to serial or engine number
- Replacement

Engine

Cx Xtrashift tier 3 (2008-2009) - RPC2 - 105

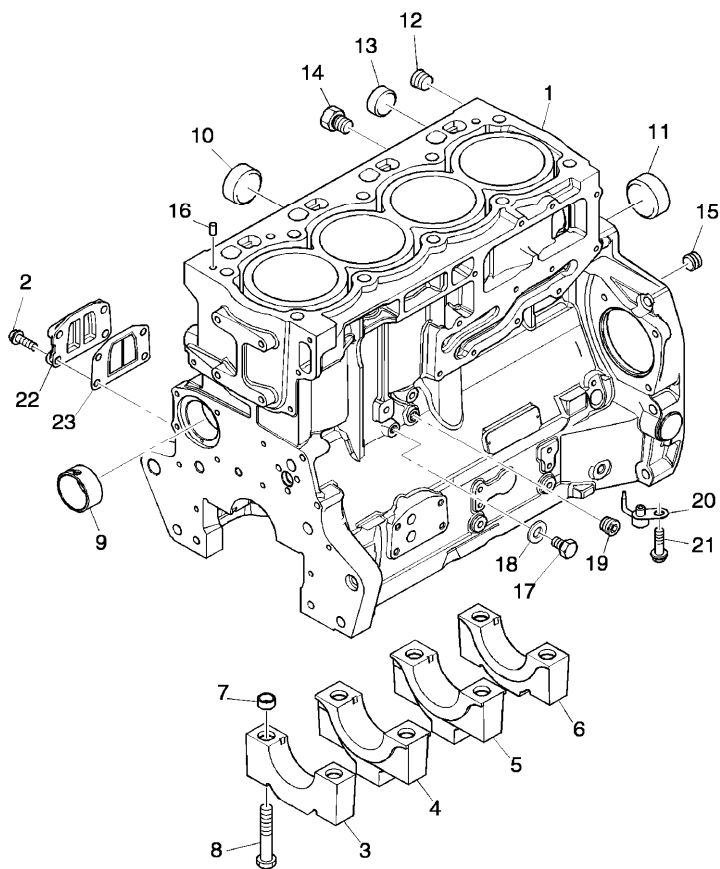
RPC2\000022252.png

A-05
02



A0502

Cylinders block



- 1 ZZ50321
- 2 2314H034
- 3
- 4
- 5
- 6
- 7 33142111
- 8 32166329
- 9 3112D071
- 10 3241A011
- 11 3241A012
- 12 0650588
- 13 0650710
- 14 32141316
- 15 3212P008
- 16 3244A009
- 17 2314C049
- 18 2415D053
- 19 0650594
- 20 2113A003
- 21 2314F001

- ZZ50325(1)
- ! 1
- ➡ Ref.n.1
- ! 1
- ➡ Ref.n.1
- ! 1
- ➡ Ref.n.1
- ! 1
- ➡ Ref.n.1
- 3112D075(1)

Inglese

- 1 Block
- 4 Screw
- 1 Bearing cup
- 1 Bearing cup
- 1 Bearing cup
- 1 Bearing cup
- 10 Manicott
- 10 Screw
- 1 Bush
- 2 Plug
- 1 Plug
- 1 Plug
- 1 Plug
- 1 Plug
- 2 Dowel
- 1 Screw
- 1 Washer
- 1 Plug
- 4 Atomiser
- 4 Screw

<https://www.ebooklibonline.com>

Hello dear friend!

Thank you very much for reading.

Enter the link into your browser.

The full manual is available for immediate download.

<https://www.ebooklibonline.com>

Engine

Cx Xtrashift tier 3 (2008-2009) - RPC2 - 105

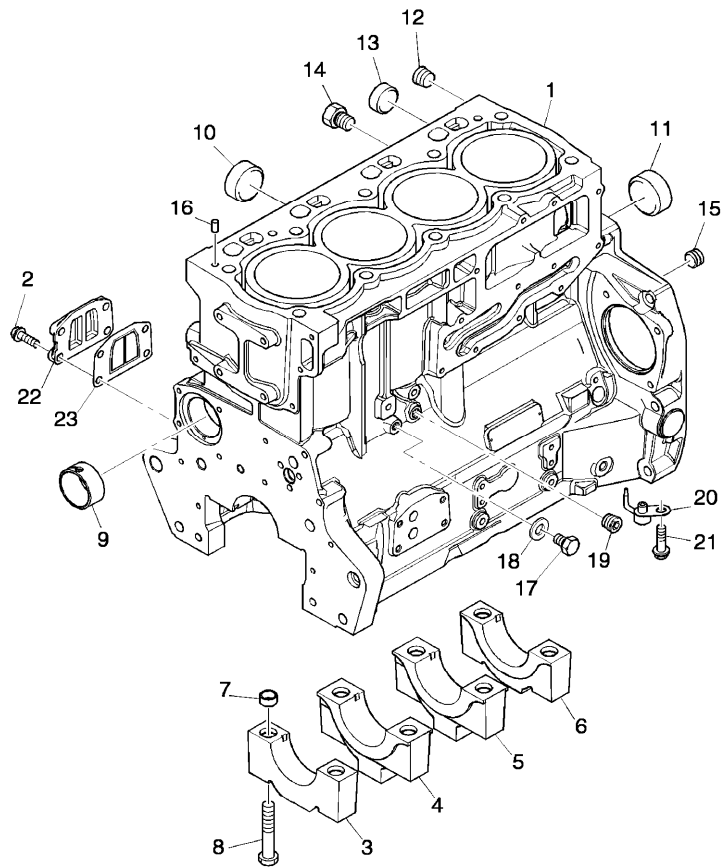
RPC2\000022252.png

A-05
02



A0502

Cylinders block



Inglese

22 3753A071

1 Coperch.

23 3688A041

1 Gasket

! This is a component of an assembly

▣ Not serviced, order

● Replacement

Engine

Cx Xtrashift tier 3 (2008-2009) - RPC2 - 105

RPC2\000015074.png

A-05
03



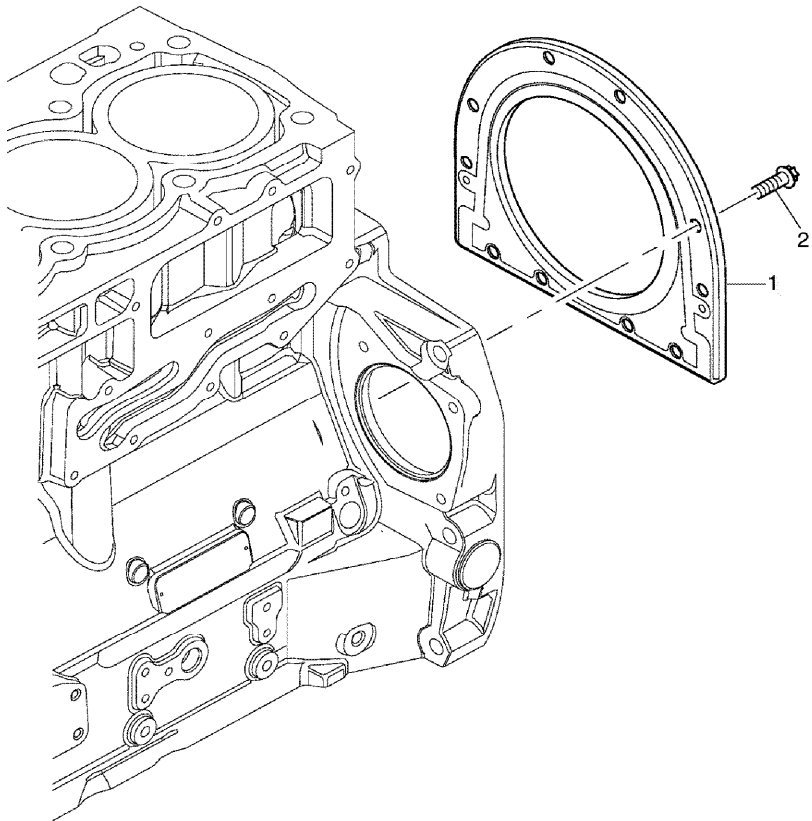
A0503

End cover

Inglese

- 1 2418F704
- 2 3211C002

- 1 Housing
- 10 Screw



Engine

Cx Xtrashift tier 3 (2008-2009) - RPC2 - 105

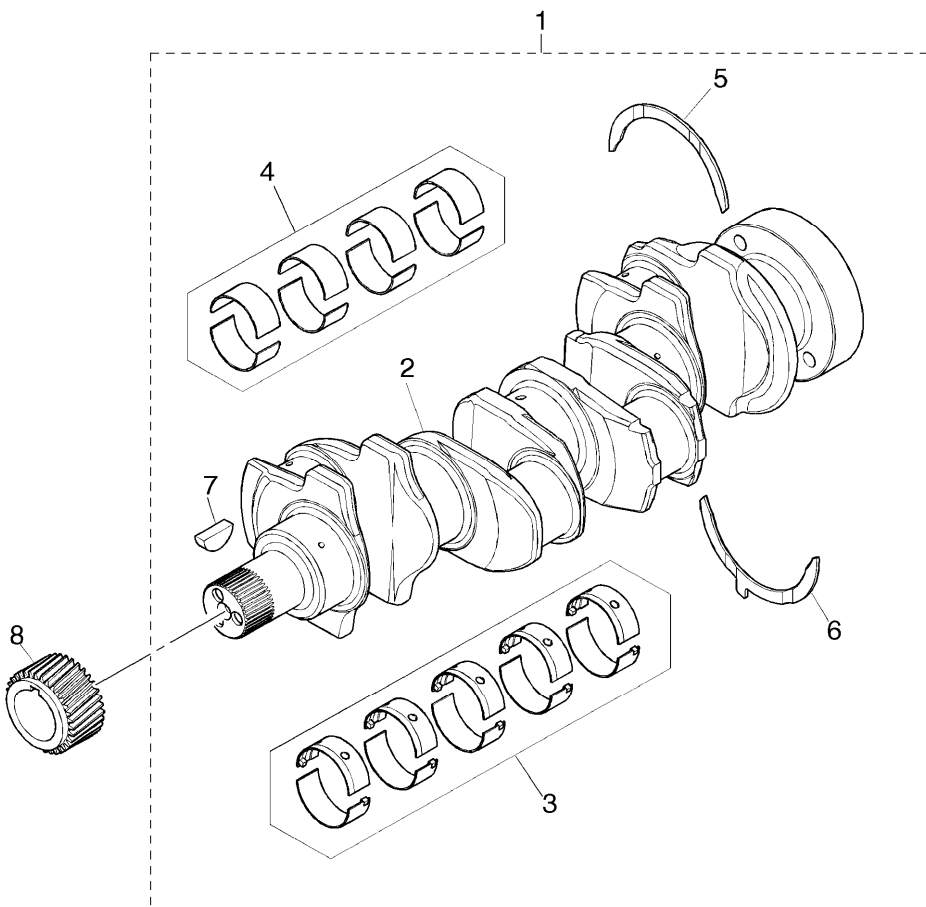
RPC2\000022253.png

A-05
04



A0504

Crankshaft



		Inglese	
1	ZZ90222	➔ U491476 t	1 Kit
		● ZZ90239(1)	
1	ZZ90237	➔ U491477 t	1 Shaft
2		! 1	1 Crankshaft
		➔ Ref.n.1	
3	U5MB0018	! 1	1 Kit
		● U5MB0033(1)	
3	U5MB0018A	! 1	1 Kit
		⚡ 0.010 mm	
		● U5MB0033A(1)	
3	U5MB0018B	! 1	1 Kit
		⚡ 0.020 mm	
		● U5MB0033B(1)	
3	U5MB0018C	! 1	1 Kit
		⚡ 0.030 mm	
		● N.L.A.(1)	
4	T400002	! 1	1 Kit
		➔ U491477 t	
		● T410927(1)	
4	U5ME0026	! 1	1 Kit
		➔ U491476 t	
		● U5ME0034(1)	
4	U5ME0026A	! 1	1 Kit
		⚡ 0.25 mm	
		➔ U491476 t	
		● U5ME0034A(1)	

Engine

Cx Xtrashift tier 3 (2008-2009) - RPC2 - 105

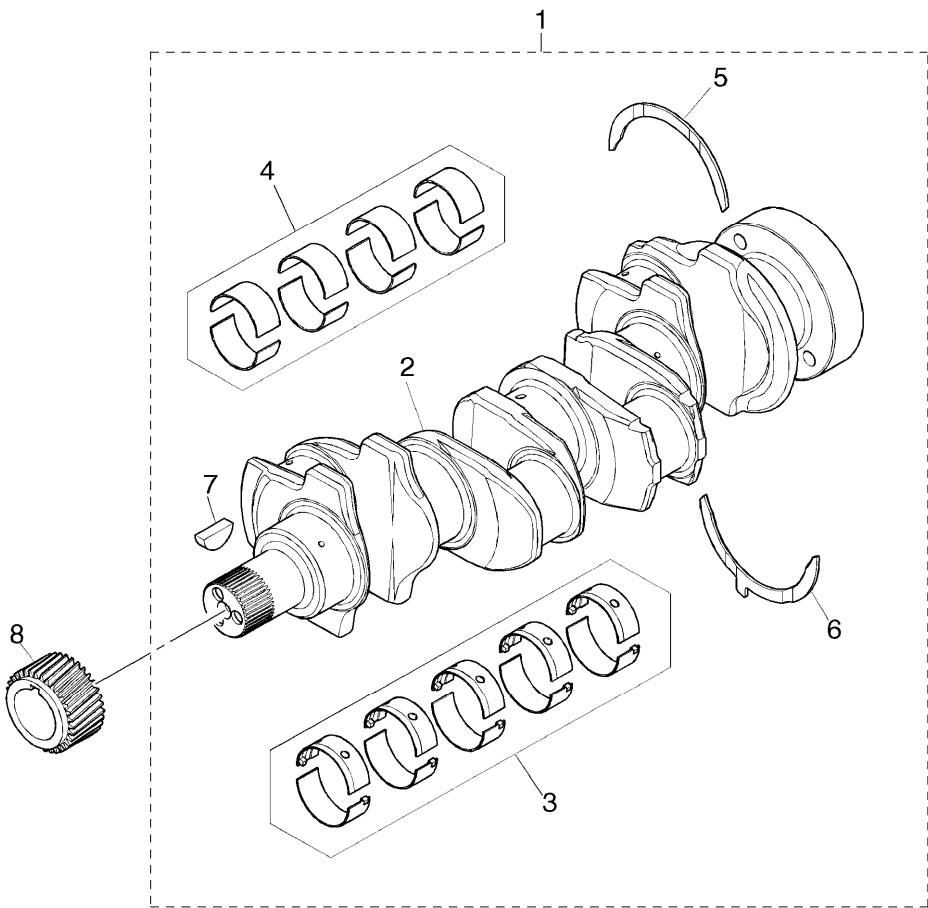
RPC2\000022253.png

A-05
04



A0504

Crankshaft



		Inglese	
4	U5ME0026B	! 1	1 Kit
		⚡ 0.50 mm	
		➔ U491476 t	
		● U5ME0034B(1)	
4	U5ME0026C	! 1	1 Kit
		⚡ 0.75 mm	
		➔ U491476 t	
		● U5ME0034C(1)	
5	31137312	! 1	2 Ring
		⚡ 0.007 mm	
5	31137551	! 1	2 Washer
6	31137322	! 1	2 Ring
		⚡ 0.007 mm	
6	31137561	! 1	2 Washer
7	0500012	! 1	1 Key
8	3117C221	! 1	1 Gear
!	This is a component of an assembly		
➔	From serial or engine number		
⬇	Up to serial or engine number		
⚙	Not serviced, order		
⚡	Shim		
●	Replacement		

Engine

Cx Xtrashift tier 3 (2008-2009) - RPC2 - 105

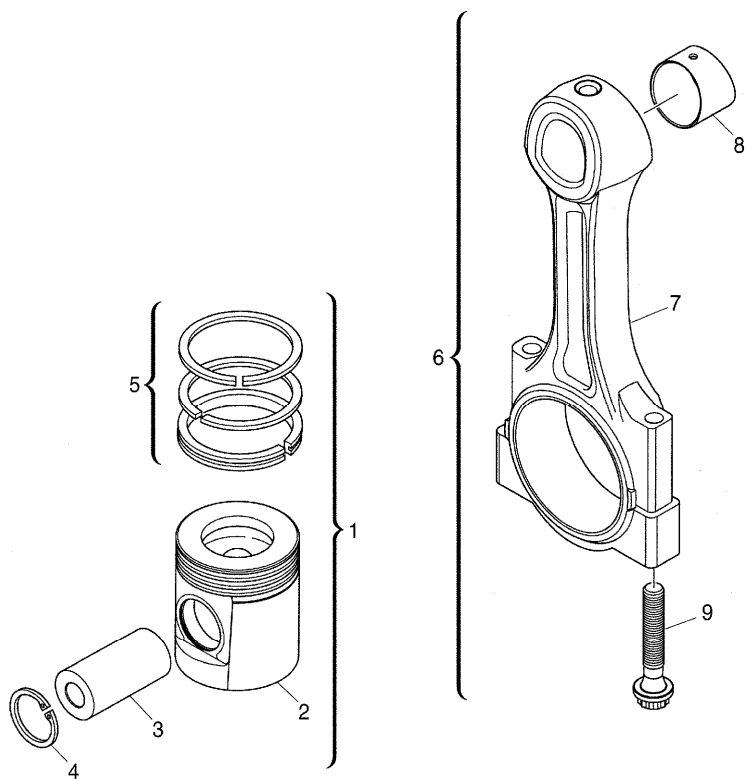
A-05
05



A0505

Pistons and connecting rods

RPC2\000020562.png



Inglese

1	U5PR0062	Std	4	Kit
1	U5PR0062B	+0,5 mm	4	Kit
2		!	1	Piston
		➡		Ref.n.1
3		!	1	Piston
		➡		Ref.n.1
4	2721332	!	1	2 Ring
5	UPRK0005	!	1	Kit
6	4115C311	➡	U056074 t	4 Kit
		A		
6	4115C312	➡	U056074 t	4 Kit
		B		
6	4115C313	➡	U056074 t	4 Kit
		C		
6	4115C314	➡	U056074 t	4 Kit
		D		
6	4115C315	➡	U056074 t	4 Kit
		E		
6	4115C316	➡	U056074 t	4 Kit
		F		
6	4115C361	➡	U056075 t	4 Conrod
		A		
6	4115C362	➡	U056075 t	4 Conrod
		B		
6	4115C363	➡	U056075 t	4 Conrod
		C		

Engine

Cx Xtrashift tier 3 (2008-2009) - RPC2 - 105

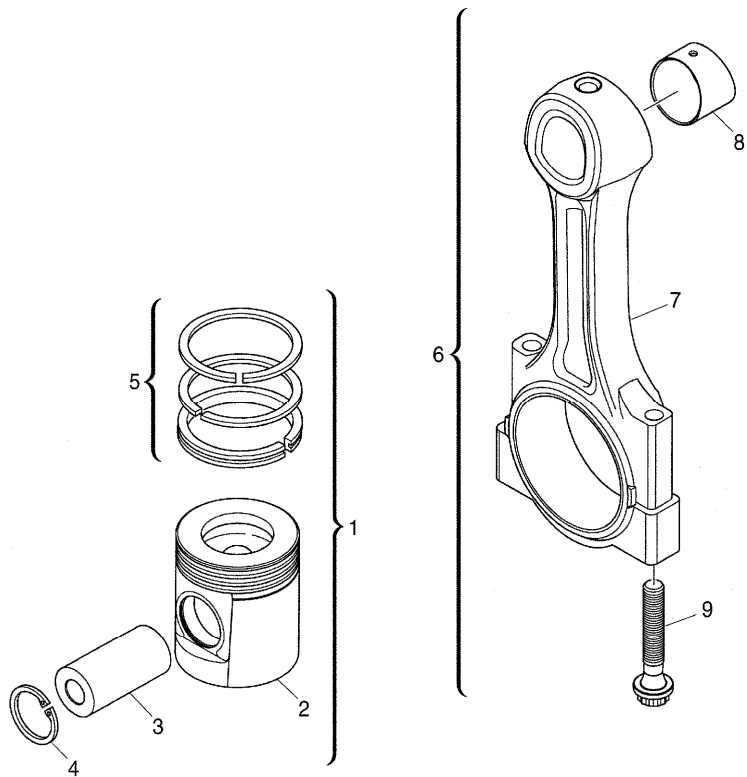
RPC2\000020562.png

A-05
05



A0505

Pistons and connecting rods



		Inglese	
6	4115C364	➡ U056075 t D	4 Conrod
6	4115C365	➡ U056075 t E	4 Conrod
6	4115C366	➡ U056075 t F	4 Conrod
7		! 6 ➡ Ref.n.6	1 Conrod
8	3112A005	! 6	1 Bush
9	3212V003	! 6 ➡ U056074 t	2 Screw
9	T400001	! 6 ➡ U056075 t	2 Screw

- ! This is a component of an assembly
- ➡ From serial or engine number
- ➡ Up to serial or engine number
- ➡ Not serviced, order
- A Red
- B Orange
- C White
- D Green
- E Purple
- F Blue

Engine

Cx Xtrashift tier 3 (2008-2009) - RPC2 - 105

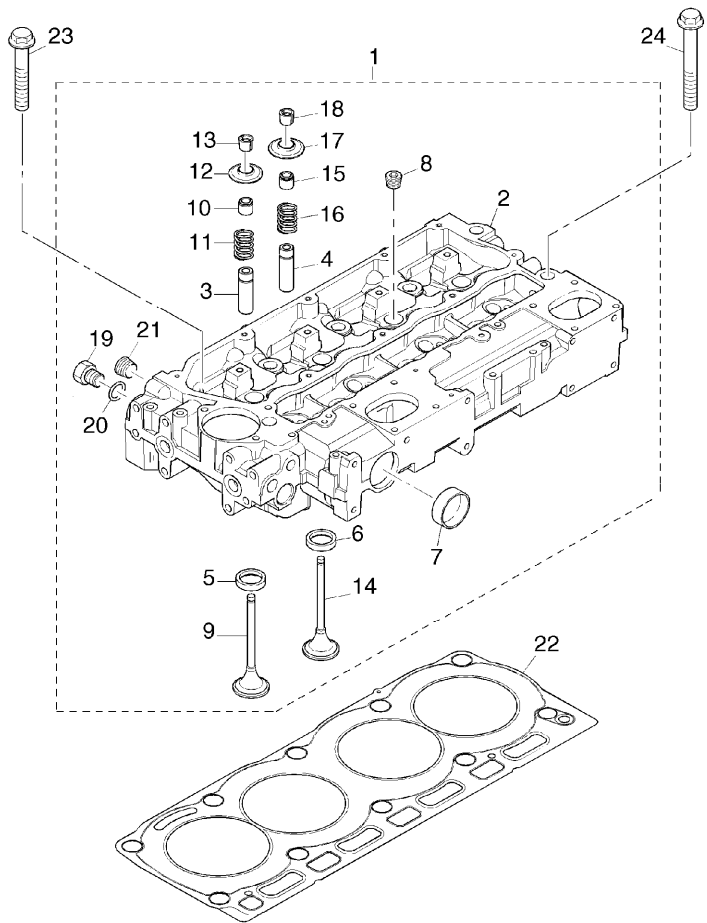
RPC2\000022254.png

**A-05
06**



A0506

Cylinder head



1	ZZ80280		
2		!	1
		➡	Ref.n.1
3	3313A012	!	1
4	3313A012	!	1
5	3314A221	!	1
6	3314A231	!	1
7	32416117	!	1
8	0650588	!	1
9	3142H101	!	1
10	2418M519	!	1
		A	
11	3174A031	!	1
		●	T417479(4)
12	3342A021	!	1
13	2714A002	!	1
14	3142A171	!	1
15	2418M517	!	1
		B	
16	3174A031	!	1
		●	T417479(4)
17	3342A021	!	1
18	2714A002	!	1
19	3278A006	!	1
20	2415H003	!	1

Inglese

1	Cylinder head
1	Cylinder head
4	Insert
4	Insert
4	Insert
4	Insert
2	Plug
4	Plug
4	Valve
4	Ring
4	Spring
4	Coperch.
8	Collar
4	Valve
4	Ring
4	Spring
4	Coperch.
8	Collar
1	Plug
1	Ring

Engine

A-05
06

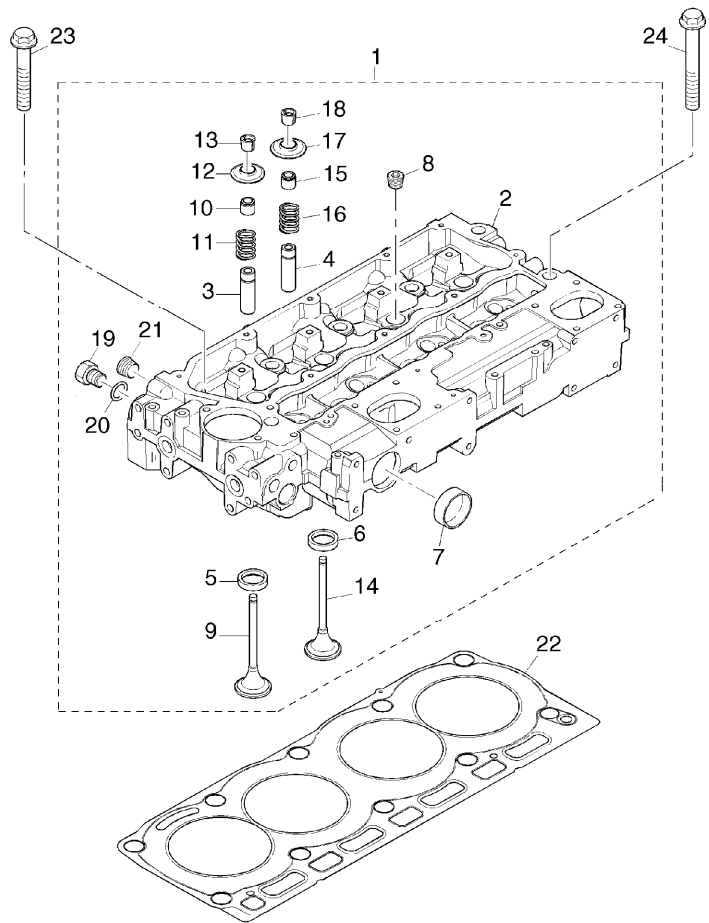
Cylinder head

Cx Xtrashift tier 3 (2008-2009) - RPC2 - 105



A0506

RPC2\000022254.png



21 2431154 ! 1

22 3681E051

23 3218A011

24 3218A012

! This is a component of an assembly

🔧 Not serviced, order

🔴 Replacement

A Green

B Brown

Inglese

2 Plug

1 Gasket

7 Screw

3 Screw

Engine

Cx Xtrashift tier 3 (2008-2009) - RPC2 - 105

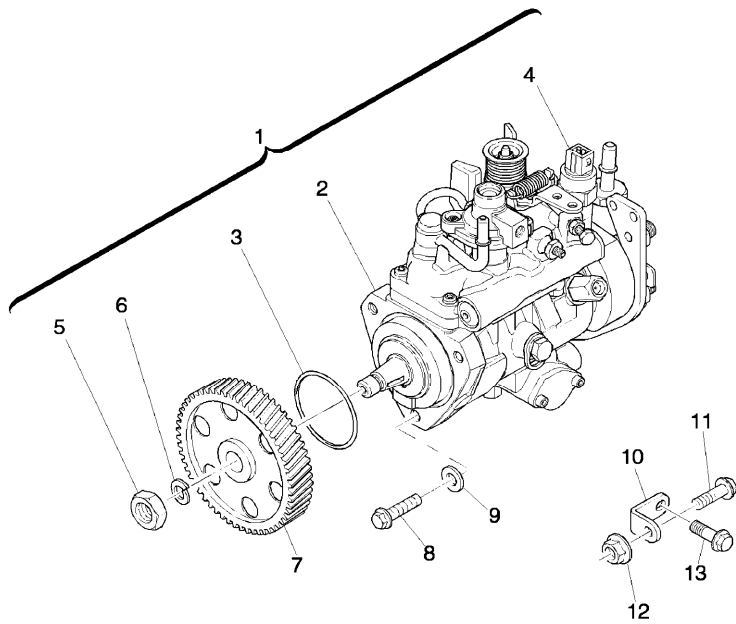
RPC2\000022255.png

A-05
07



A0507

Injection pump assy



- 1 2644C313/22
- 2 ! 1
- 3 26420318 ! 1
- 4 26420469 ! 1
- 5 2318A108 ! 1
- 6 K134AF01 ! 1
- 7 3117L261
- 8 2314H004
- 9 2411D008
- 10 3641A007
- 11 2314H003
- 12 2318A603
- 13 2314J002
- ! This is a component of an assembly
- Not serviced, order

Inglese

- 1 Pump
- 1 Pump
- 1 Ring
- 1 Solenoid
- 1 Nut
- 1 Washer
- 1 Gear
- 3 Screw
- 3 Washer
- 1 Stirrup
- 1 Screw
- 1 Nut
- 1 Screw

Engine

Cx Xtrashift tier 3 (2008-2009) - RPC2 - 105

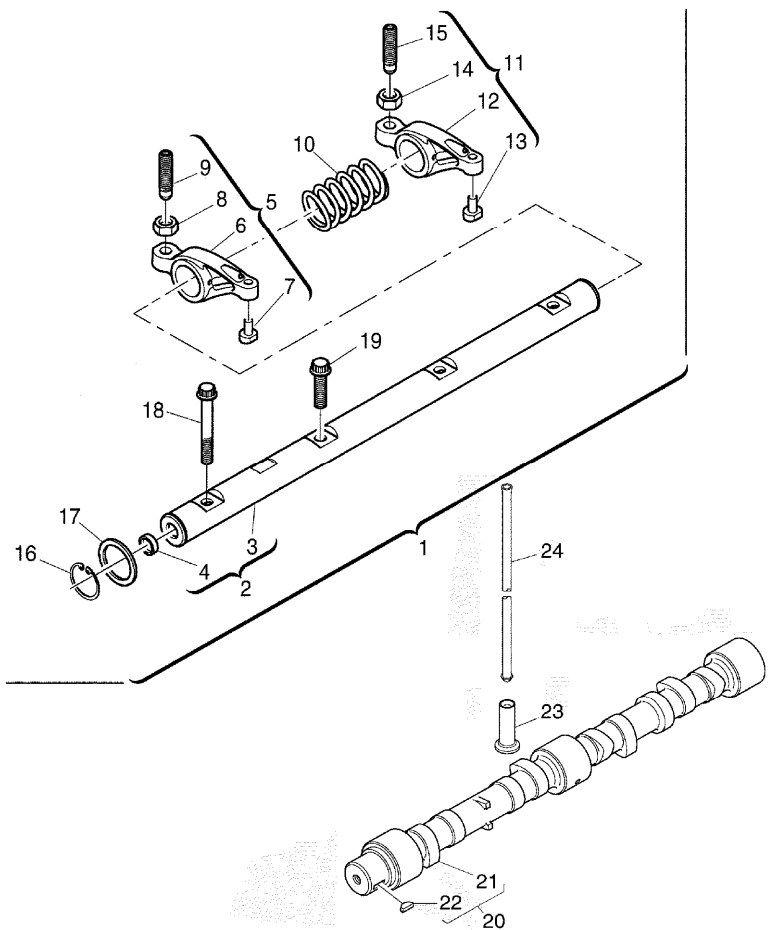
RPC2\000015075.png

**A-05
08**



A0508

Rocker shaft



		Inglese
1	4115R613	1 Axle
2	4115R703	! 1 Shaft
3		! 2 1 Axe
4	2485A104	! 2 2 Plug
5	4115R319	! 1 4 Lever
6		! 5 1 Rocker
7		! 5 1 Pad
8	3331A006	! 5 1 Nut
9	3211C004	! 5 1 Screw
10	3174A015	! 1 3 Spring
11	4115R318	! 1 4 Lever
12		! 11 1 Rocker
13		! 11 1 Pad
14	3331A006	! 11 1 Nut
15	3211C004	! 11 1 Screw
16	2722A022	! 1 2 Ring
17	2134A502	! 1 2 Washer
18	2316A902	! 1 1 Screw
19	2316A902	! 1 3 Screw
20	4112K032	! 4112K077(1) 1 Shaft

Engine

Cx Xtrashift tier 3 (2008-2009) - RPC2 - 105

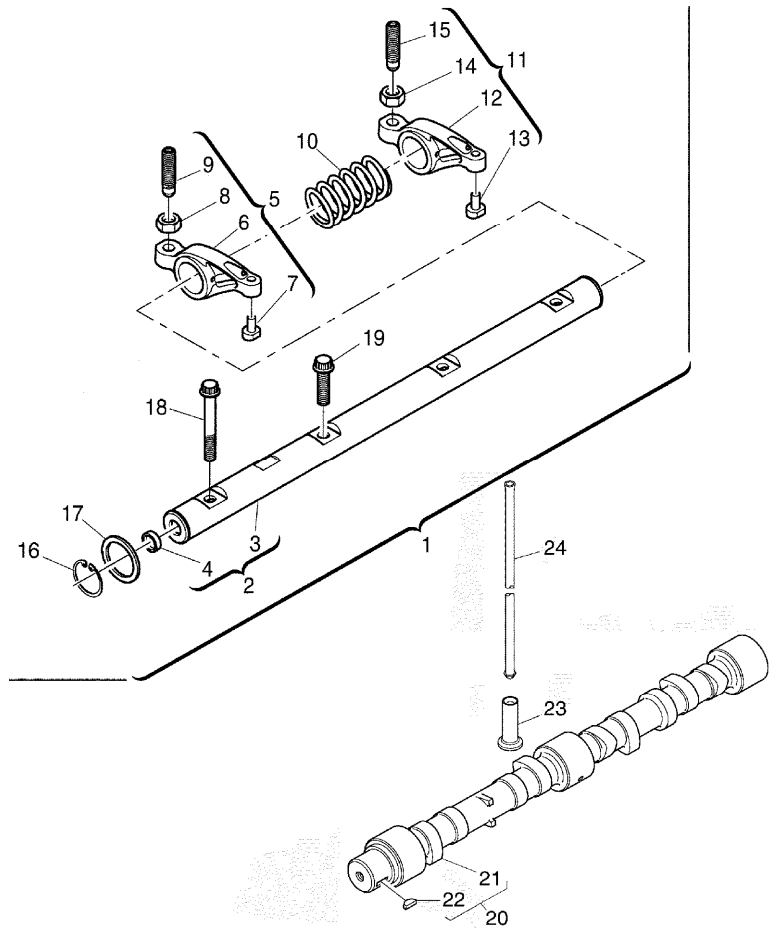
RPC2\000015075.png

A-05
08



A0508

Rocker shaft



- 21 ! 20
- 22 0500012 ! 20
- 23 3142U061 ! 20
- 24 3142V011 ! 20
- ! This is a component of an assembly
- ▣ Not serviced, order
- Replacement

Inglese

- 1 Shaft
- 1 Key
- 8 Tappet
- 8 Rod

Engine

Cx Xtrashift tier 3 (2008-2009) - RPC2 - 105

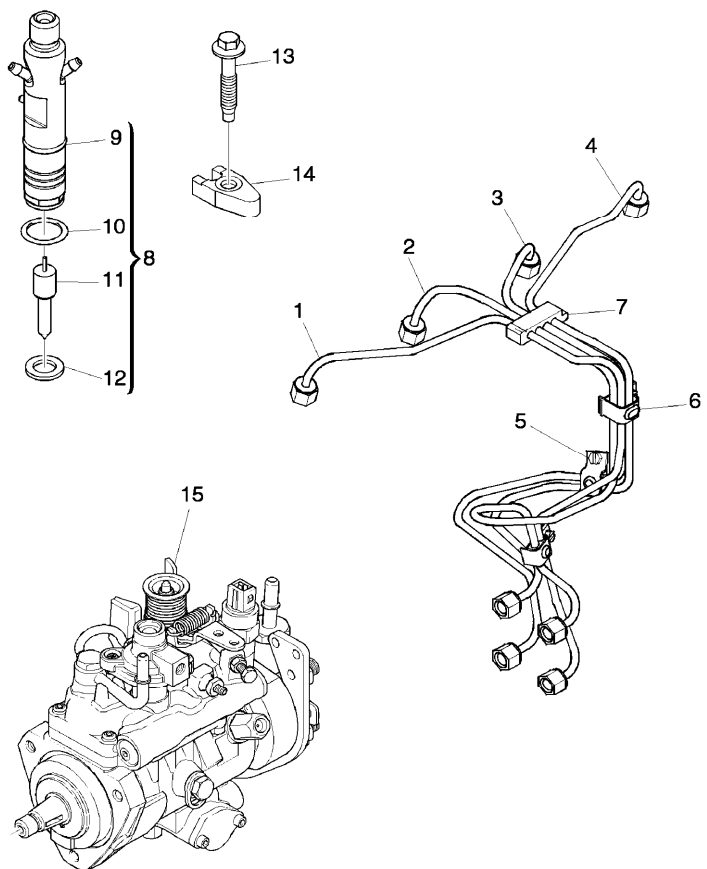
RPC2\000022256.png

**A-05
09**



A0509

Fuel injection equipment (diesel)



		Inglese
1	3525A101	1 Pipe
2	3525A102	1 Pipe
3	3525A103	1 Pipe
4	3525A104	1 Pipe
5	2481Y011	2 Clip
6	2481Y012	1 Clip
7	2646E019	1 Clip
8	2645K025	4 Nozzle
9	!	8
	➡	Ref.n.8
10	26460064	!
	!	8
11		!
	!	8
	➡	Ref.n.8
12	L311FF02	!
	!	8
13	2314W009	!
	!	8
14	3751A241	
15	⦿	A-05 07 1

! This is a component of an assembly

⦿ See page - reference number

➡ Not serviced, order

Engine

Cx Xtrashift tier 3 (2008-2009) - RPC2 - 105

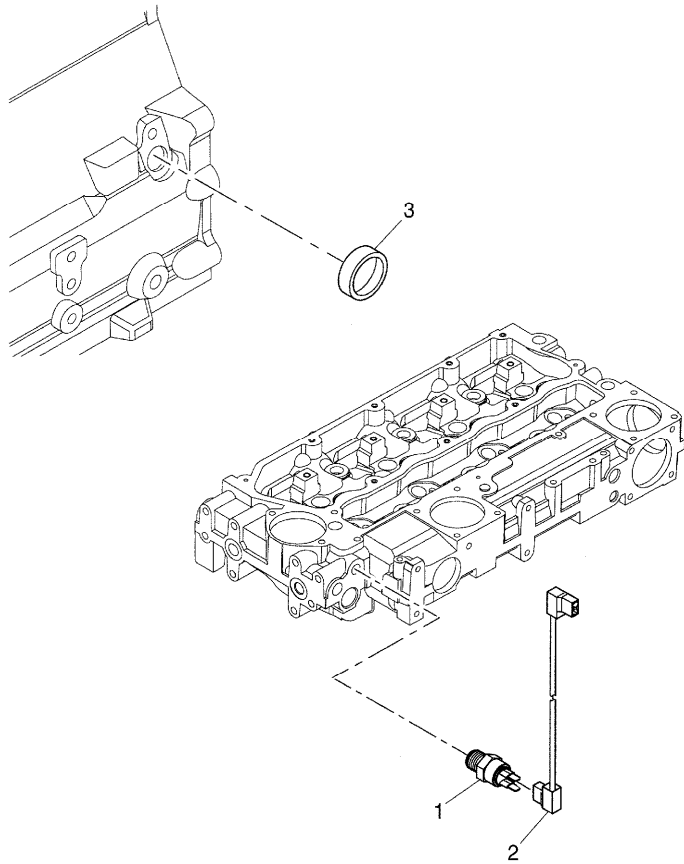
RPC2\000020530.png

A-05
10



A0510

Sensor pickup



- 1 2848A127
- 2 3161C017
- 3 2485A109

Inglese

- 1 Sensor
- 1 Cable
- 1 Plug

Engine

Cx Xtrashift tier 3 (2008-2009) - RPC2 - 105

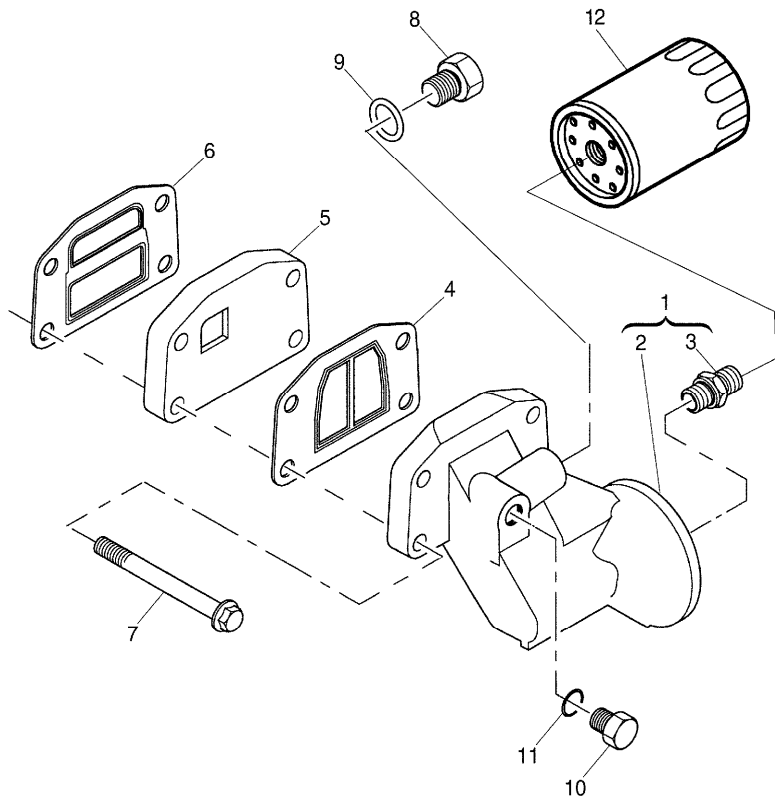
RPC2\000020539.png

A-05
11



A0511

Lube oil filters



			Inglese
1	4134E057	● 3773A071(1)	1 Head
2		! 1	1 Head
3	33554128	➡ Ref.n.1	1 Union
4	3688A041	! 1	1 Gasket
5	3773A081		1 Adaptor
6	3688A039		1 Gasket
7	2314H038		4 Screw
8	3278A004		1 Plug
9	2415H002		1 Ring
10	3278A007		1 Plug
11	2415H009		1 O ring
12	701899A1		1 Oil filter

- ! This is a component of an assembly
- ➡ Not serviced, order
- Replacement

Engine

Cx Xtrashift tier 3 (2008-2009) - RPC2 - 105

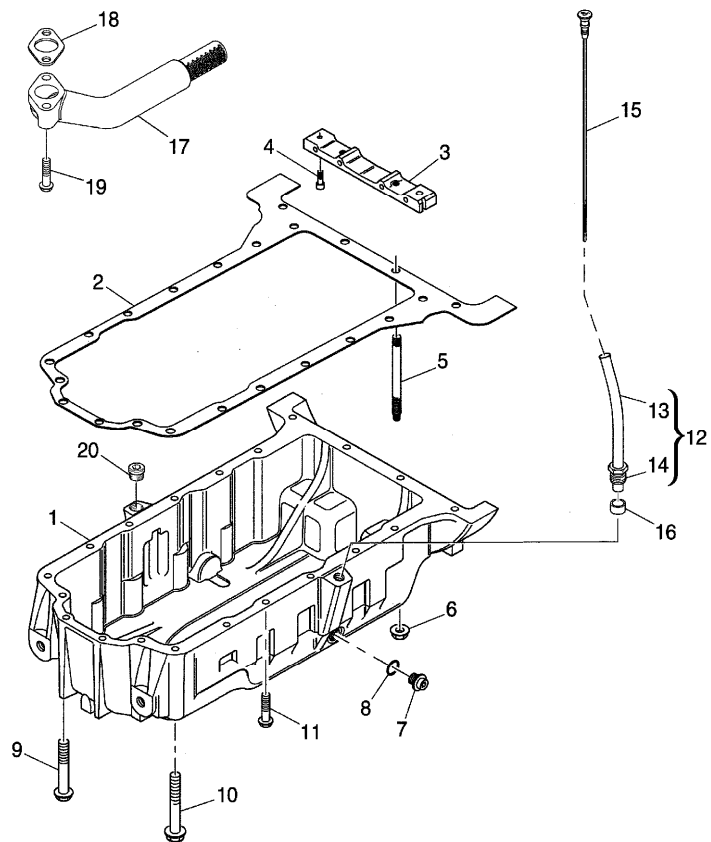
RPC2\000014129.png

A-05
12



A0512

Oil sump



- 1 3717E271
 - 2 3681K036
 - 3 3627P041
 - 4 2311D039
 - 5 3211P013
 - 6 2318A603
 - 7 32186405
 - 8 2415715
 - 9 2314H023
 - 10 2314H022
 - 11 2314H015
 - 12 3577A125
 - 13
 - 14 3353D005
 - 15 3178C081
 - 16 33812116
 - 17 3765A091
 - 18 36832137
 - 19 2314H006
 - 20 2431A016
- ! This is a component of an assembly
- ➡ Not serviced, order
- Replacement

● 2314H052(1)

➡ Ref.n.12

! 12

Inglese

- 1 Crankcase
- 1 Gasket
- 1 Crosspiece
- 2 Screw
- 2 Stud
- 2 Nut
- 2 Plug
- 2 Ring
- 5 Screw
- 1 Screw
- 12 Screw
- 1 Pipe
- 1 Pipe
- 1 Nut
- 1 Rod
- 1 Olive
- 1 Pipe
- 1 Gasket
- 2 Screw
- 1 Plug

Engine

Cx Xtrashift tier 3 (2008-2009) - RPC2 - 105

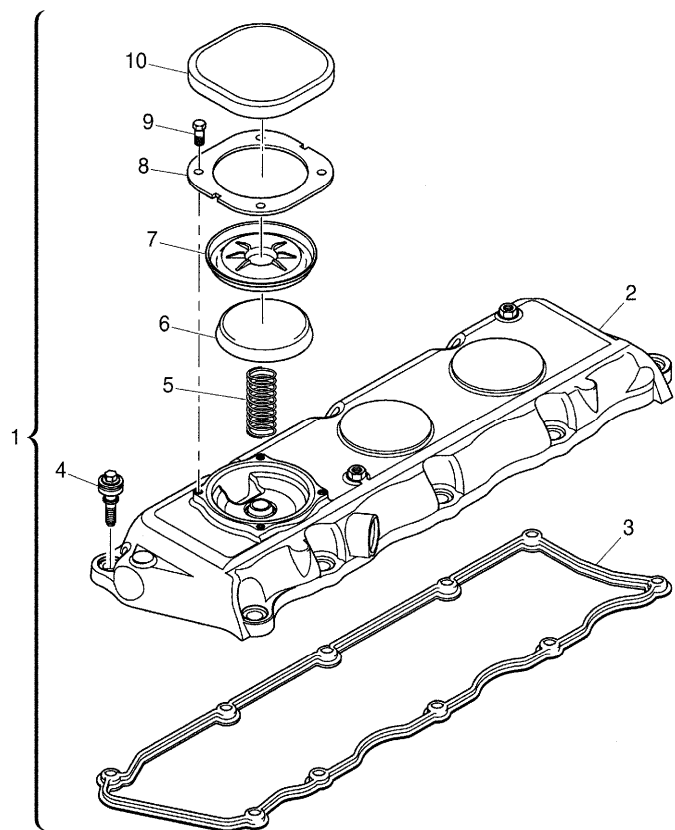
A-05
13



A0513

Cylinder head cover

RPC2\000020533.png



		Inglese	
1	4142X325	● T417478(1)	1 Coperch.
2		! 1	1 Cover
3	3681A055	➡ Ref.n.1	1 Gasket
4		! 1	10 Screw
5	3174A017	➡ Ref.n.1	1 Spring
6	3788A002	! 1	1 Cap
7	3789A001	! 1	1 Diaphragm
8	3615A009	! 1	1 Plate
9	2151A001	! 1	4 Screw
10	3788A003	! 1	1 Cap
!		This is a component of an assembly	
➡		Not serviced, order	
●		Replacement	

Engine

Cx Xtrashift tier 3 (2008-2009) - RPC2 - 105

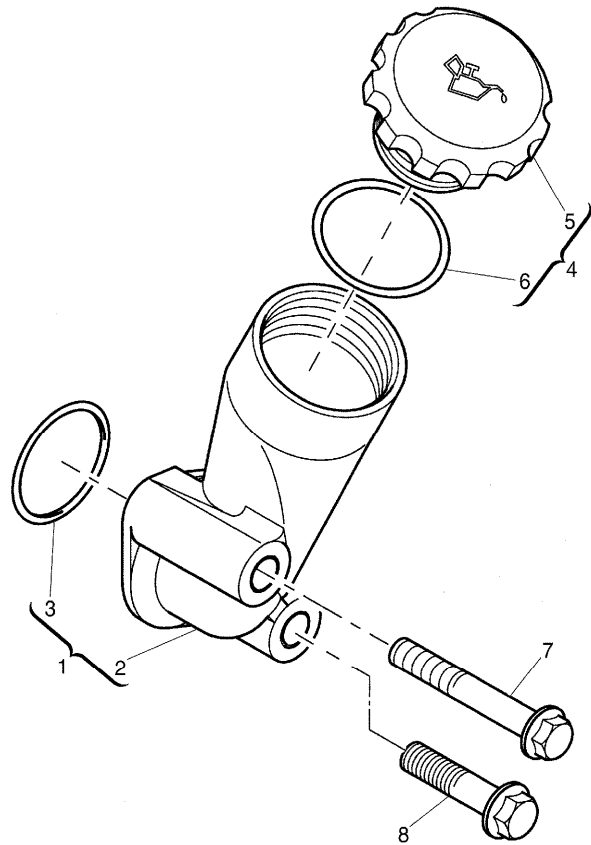
RPC2\000020589.png

A-05
14



A0514

Filler



			Inglese
1	4134C019	● N.L.S.(1)	1 Filler
2		! 1	1 Body
		➡ Ref.n.1	
3	2415B121	! 1	1 O ring
4	4142X098	! 1	1 Plug
5		! 4	1 Plug
		➡ Ref.n.4	
6	2415633	! 4	1 O ring
7	2314K161		1 Screw
8	2314H008		1 Screw

- ! This is a component of an assembly
- ➡ Not serviced, order
- Replacement

Engine

Cx Xtrashift tier 3 (2008-2009) - RPC2 - 105

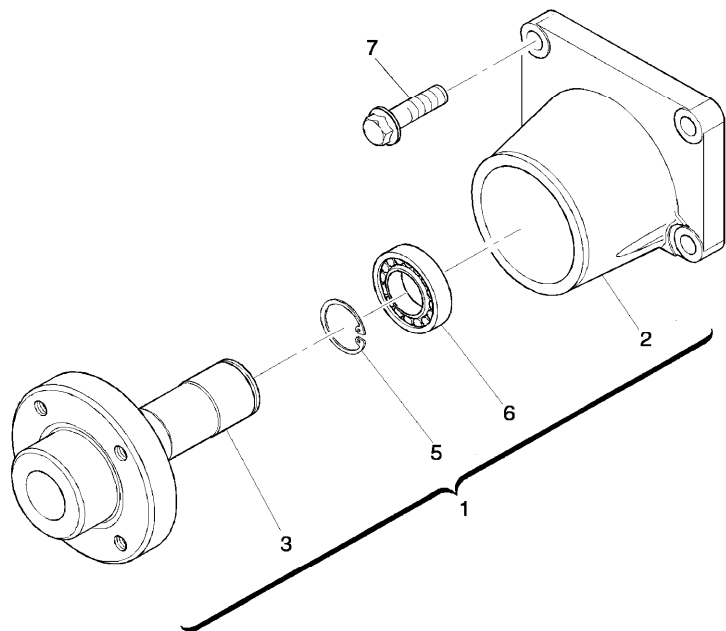
RPC2\000022257.png

A-05
15



A0515

Fan's support



- 1 4113K007
 - 2 ! 1
 - 3 ! 1
 - 4 ! 1
 - 5 2722A022 ! 1
 - 6 ! 1
 - 7 2314J005
- ! This is a component of an assembly
➤ Not serviced, order

Inglese

- 1 Stirrup
- 1 Stirrup
- 1 Hub
- 1 Spacer
- 1 Ring
- 2 Bearing
- 4 Screw

Engine

Cx Xtrashift tier 3 (2008-2009) - RPC2 - 105

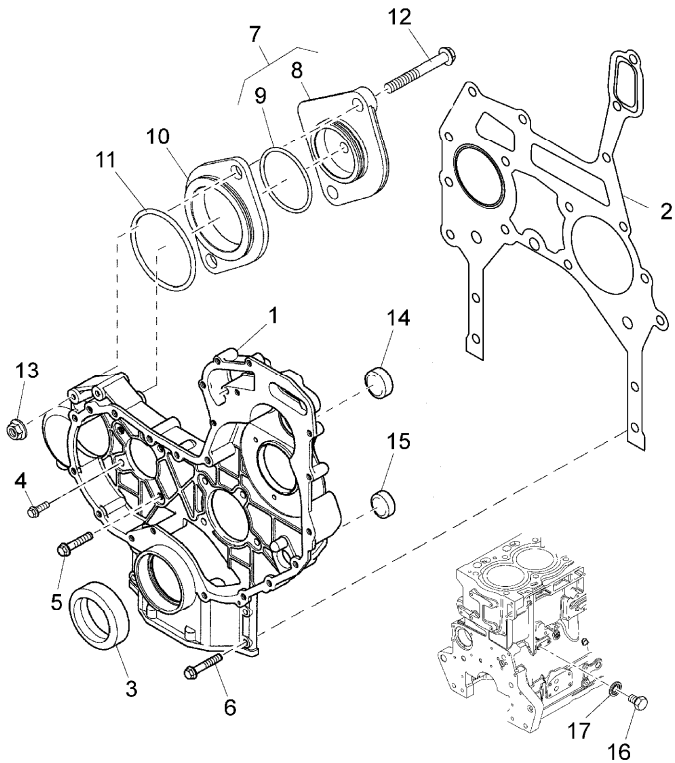
RPC2\000015081.png

**A-05
16**



A0516

Gasket sets



		Inglese
1	3716C581	1 Housing
2	3681P053	1 Gasket
3	2418F437	1 Gasket
4	2314H003	6 Screw
5	2314H006	2 Screw
6	2314H034	4 Screw
7	4148K012	1 Plate
8	!	7
	➡ Ref.n.7	1 Plate
9	2415H515	! 7
		1 Ring
10	3617A021	1 Disc
11	2415H516	1 O ring
12	2314J014	2 Screw
13	2318A604	2 Nut
14	2485A124	1 Plug
15	2485A124	1 Plug
16	2314C049	1 Screw
17	2415D053	1 Washer

! This is a component of an assembly

➡ Not serviced, order

Engine

Cx Xtrashift tier 3 (2008-2009) - RPC2 - 105

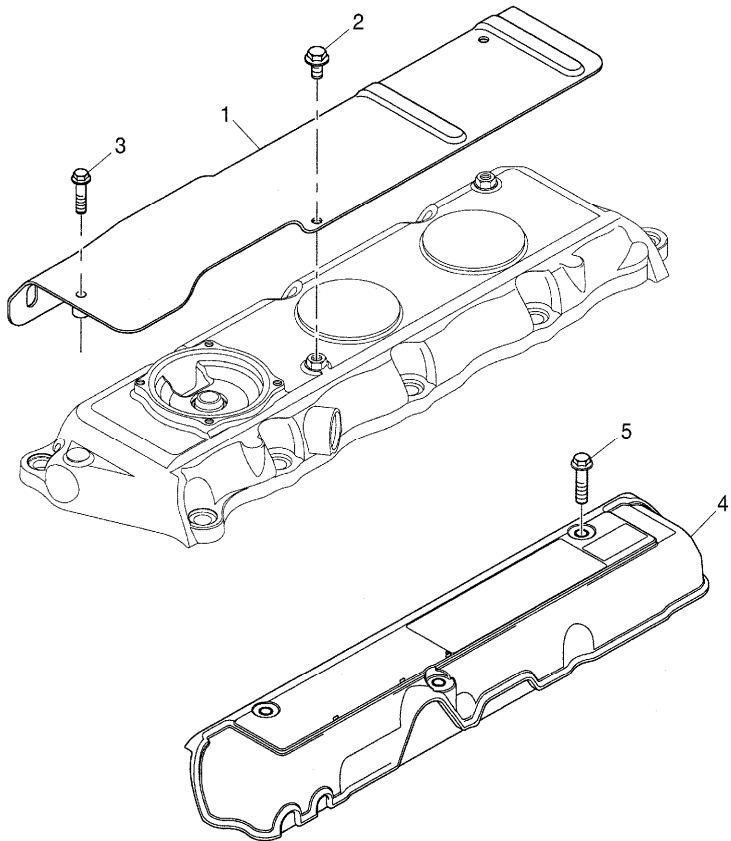
RPC2\000020537.png

A-05
17



A0517

Cylinder head cover



- 1 3812A026
- 2 2314F001
- 3 2314F006
- 4 3788N003
- 5 2314F003

Inglese

- 1 Heatshield
- 2 Screw
- 1 Screw
- 1 Cover
- 3 Screw



Suggest:

For more complete manuals. Please go to the home page.

<https://www.ebooklibonline.com>

If the above button click is invalid. Please download this document first, and then click the above link to download the complete manual.

Thank you so much for reading

Engine

Cx Xtrashift tier 3 (2008-2009) - RPC2 - 105

RPC2\000015031.png

A-05
18



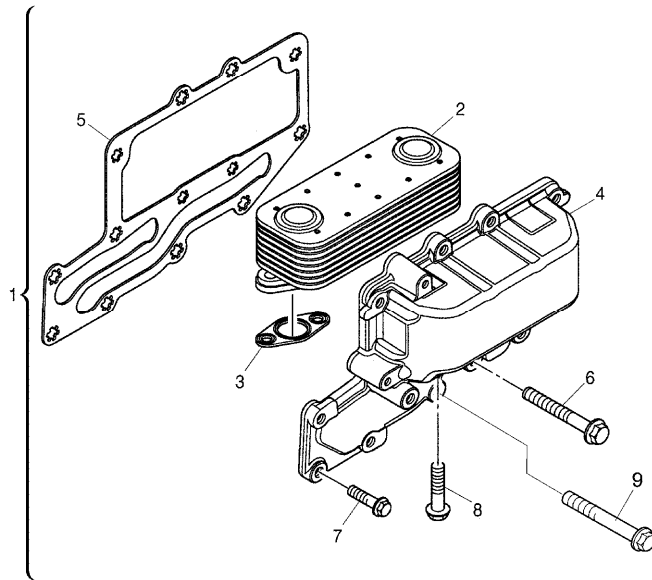
A0518

Oil bath air filter - lautrette

Inglese

1	4134W021	●	4134W025(1)	1	Radiator
2	2486A217	!	1	1	Exchanger
3	3685A025	!	1	2	Ring
4		!	1	1	Cooler
		➡	Ref.n.1		
5	3685A033	!	1	1	Gasket
6	2314K161	!	1	3	Screw
7	2314H004	!	1	8	Screw
8	2314H006	!	1	4	Screw
9	2311D060	!	1	2	Screw

- ! This is a component of an assembly
- ➡ Not serviced, order
- Replacement



Engine

Cx Xtrashift tier 3 (2008-2009) - RPC2 - 105

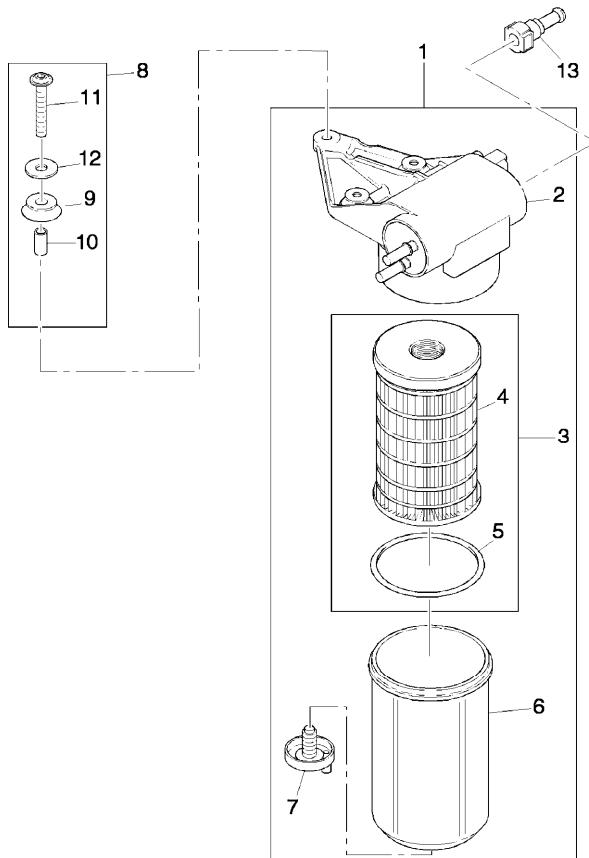
RPC2\000022264.png

**A-05
19**



A0519

Lift pump



				Inglese
1	4132A018	●	N.L.S.(1)	1 Pump
2		!	1	1 Pump
3	26560201	!	1	1 Filter
4		!	2	1 Filter
5		!	2	1
6	2656F837	!	1	1 Bowl
7	2656F836	!	1	1 Valve
8	U5MK1239			1 Support
9		!	8	6 Support
10		!	8	3 Spacer
11	2316T135	!	8	3 Screw
12	2131A507	!	8	3 Washer
13	3763A046			1 Connection
		!	This is a component of an assembly	
		➡	Not serviced, order	
		●	Replacement	

<https://www.ebooklibonline.com>

Hello dear friend!

Thank you very much for reading.

Enter the link into your browser.

The full manual is available for immediate download.

<https://www.ebooklibonline.com>