

Engine

Cx Xtrashift tier 3 (2008-2009) - RPC2 - 100

RPC2\00005987.PNG

A-05
01



A0501

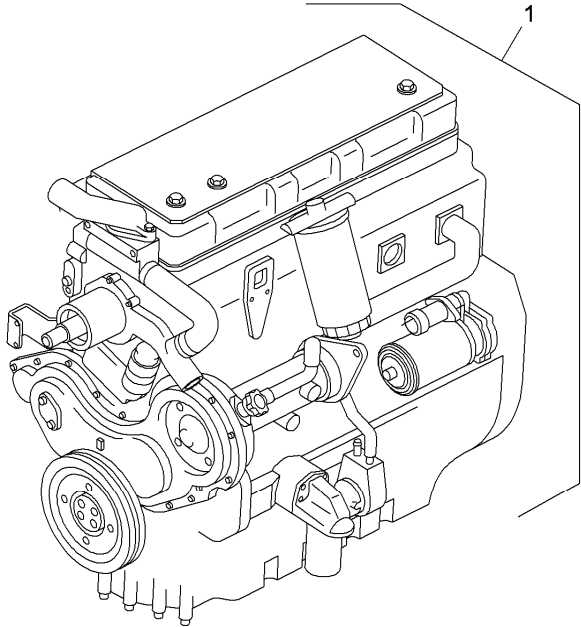
Engine assembly

Inglese

1 716219A1 T-A 8:0
T-B 30:0

1 Engine

T-A Replacement
T-B Overhaul



Engine

Cx Xtrashift tier 3 (2008-2009) - RPC2 - 100

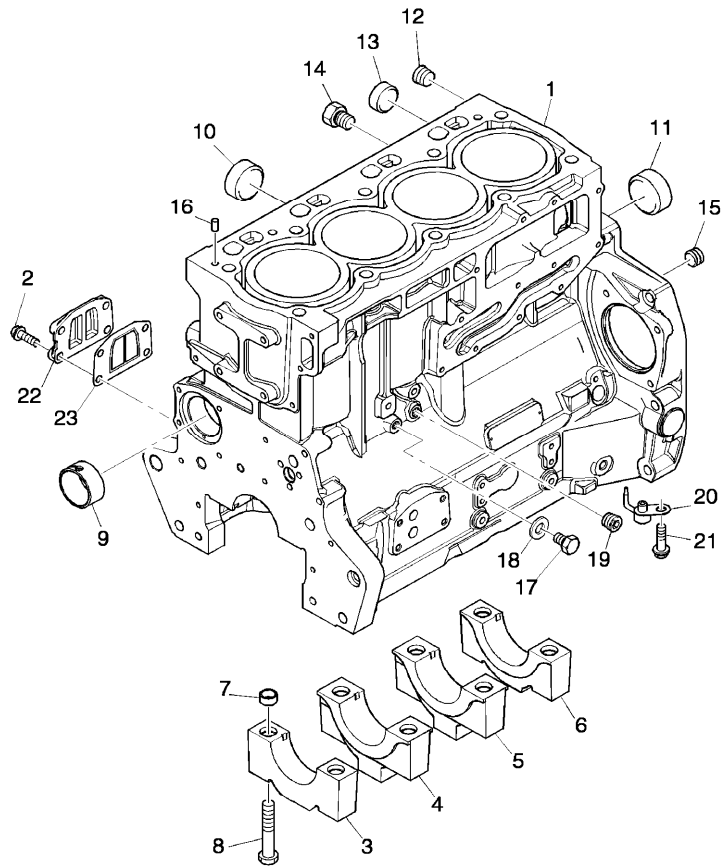
RPC2\000022252.png

**A-05
02**



A0502

Cylinders block



		Inglese
1	☞ A-05 01 1	1 Engine
2	2314H034	4 Screw
3	! 1	1 Bearing cup
	☛ Ref.n.1	
4	! 1	1 Bearing cup
	☛ Ref.n.1	
5	! 1	1 Bearing cup
	☛ Ref.n.1	
6	! 1	1 Bearing cup
	☛ Ref.n.1	
7	33142111	10 Manicott
8	32166329	10 Screw
9	3112D071	1 Bush
	● 3112D075(1)	
10	3241A011	2 Plug
11	3241A012	1 Plug
12	0650588	1 Plug
13	0650710	1 Plug
14	32141316	1 Plug
15	3212P008	1 Plug
16	3244A009	2 Dowel
17	2314C049	1 Screw
18	2415D053	1 Washer
19	0650594	1 Plug
20	2113A003	4 Atomiser
21	2314F001	4 Screw

Engine

Cx Xtrashift tier 3 (2008-2009) - RPC2 - 100

A-05
02



A0502

Cylinders block

RPC2\000022252.png

Inglese

22 3753A071

1 Coperch.

23 3688A041

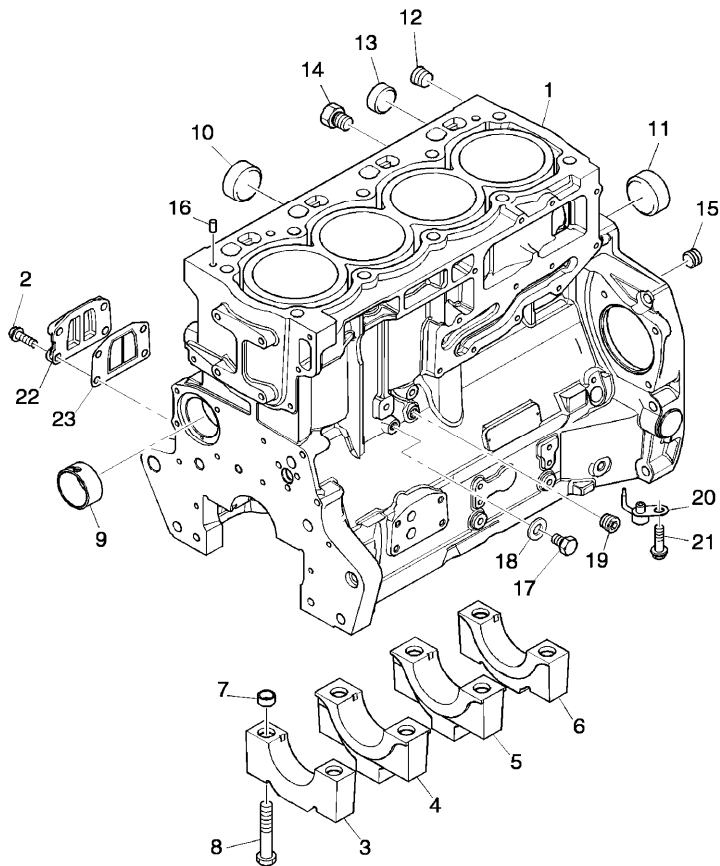
1 Gasket

! This is a component of an assembly

👁 See page - reference number

📄 Not serviced, order

● Replacement



<https://www.ebooklibonline.com>

Hello dear friend!

Thank you very much for reading.

Enter the link into your browser.

The full manual is available for immediate download.

<https://www.ebooklibonline.com>

Engine

Cx Xtrashift tier 3 (2008-2009) - RPC2 - 100

RPC2\000015074.png

A-05
03



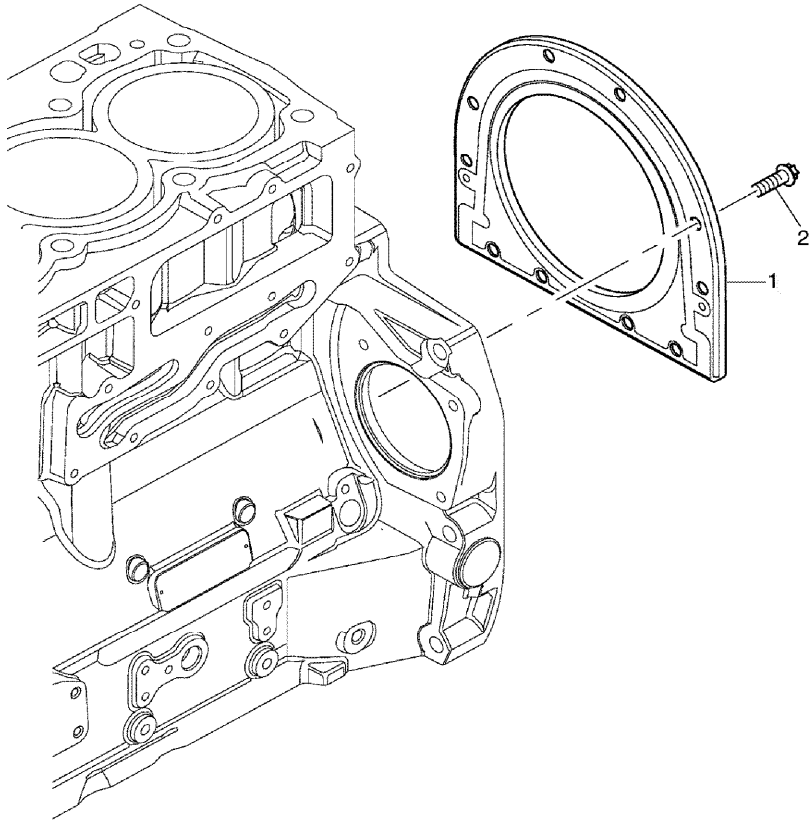
A0503

End cover

Inglese

- 1 2418F704
- 2 3211C002

- 1 Housing
- 10 Screw



Engine

Cx Xtrashift tier 3 (2008-2009) - RPC2 - 100

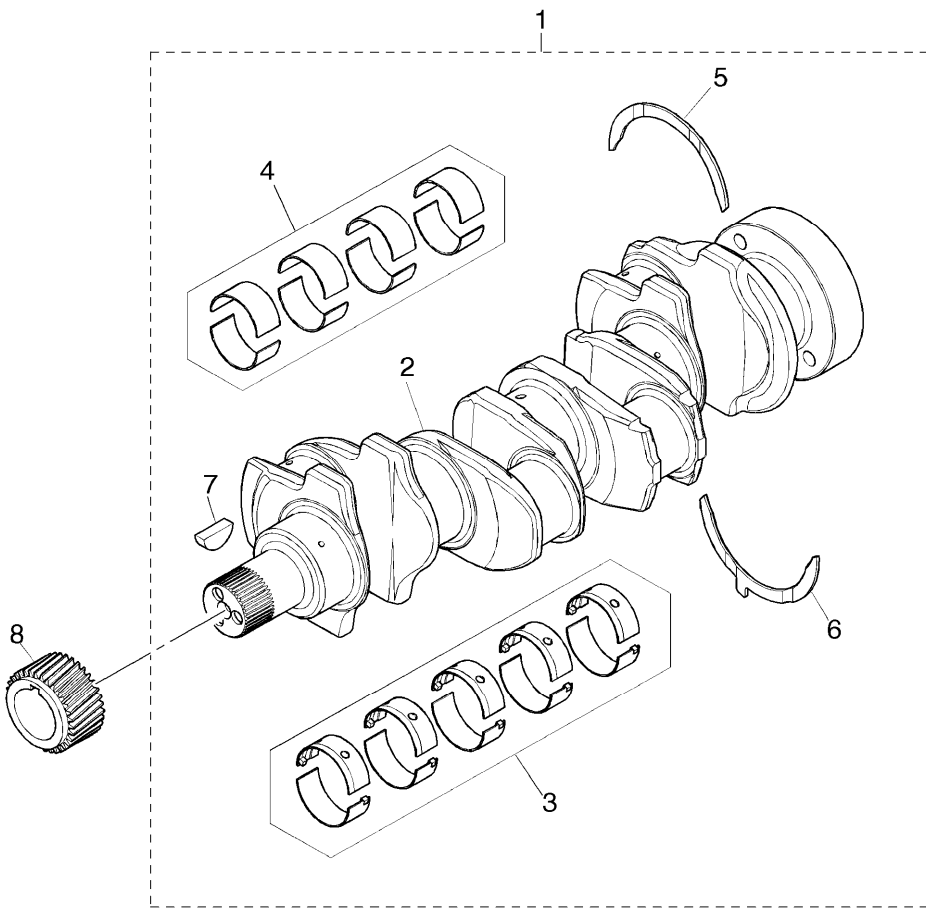
RPC2\000022253.png

A-05
04



A0504

Camshaft



		Inglese			
1	ZZ90222	➔	U056074 t	1	Kit
		●	ZZ90239(1)		
1	ZZ90237	➔	U056075 t	1	Shaft
2		!	1	1	Shaft
		➔	Ref.n.1		
3	U5MB0018	!	1	1	Kit
		➔	U056074 t		
		●	U5MB0033(1)		
3	U5MB0018A	!	1	1	Kit
		⌘	0.010"		
		➔	U056074 t		
		●	U5MB0033A(1)		
3	U5MB0018B	!	1	1	Kit
		⌘	0.020"		
		➔	U056074 t		
		●	U5MB0033B(1)		
3	U5MB0018C	!	1	1	Kit
		⌘	0.030"		
		➔	U056074 t		
		●	N.L.A.(1)		
3	U5MB0033	!	1	1	Kit
		➔	U056075 t		
3	U5MB0033A	!	1	1	Kit
		⌘	-0,25mm		
		➔	U056075 t		

Engine

Cx Xtrashift tier 3 (2008-2009) - RPC2 - 100

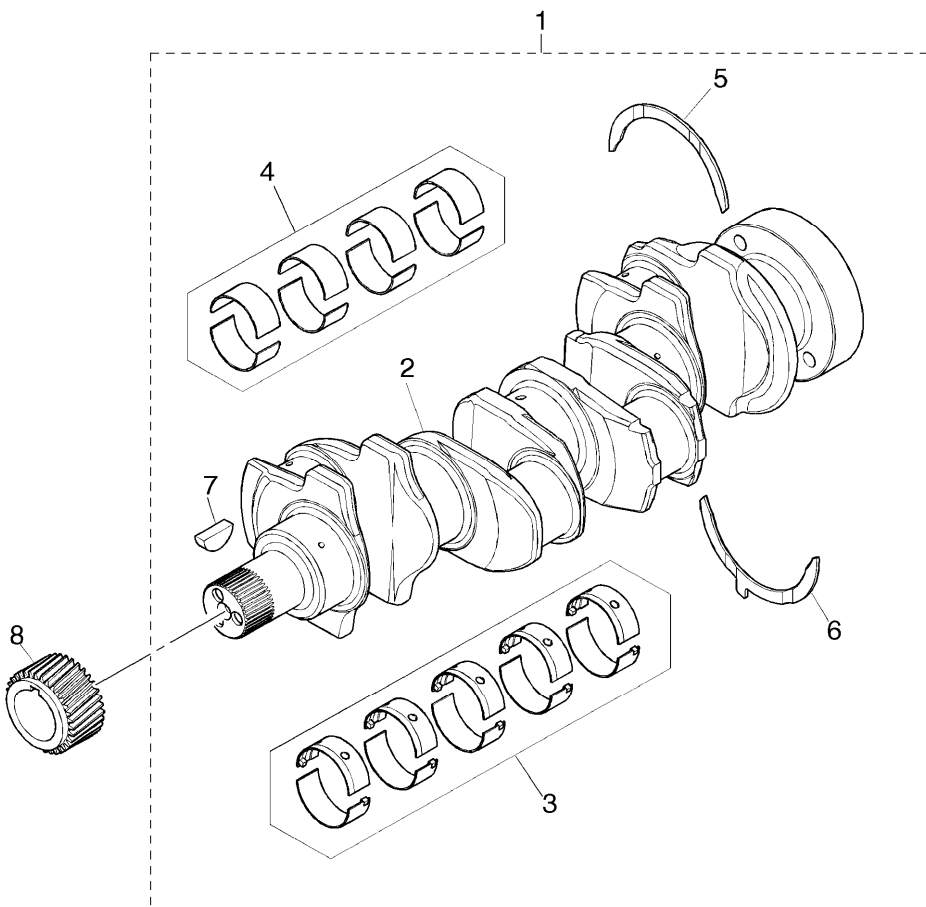
RPC2\000022253.png

A-05
04



A0504

Camshaft



		Inglese	
3	U5MB0033B	! 1	1 Kit
		⚡ -0,50mm	
		➔ U056075 t	
3	U5MB0033C	! 1	1 Kit
		⚡ -0,75mm	
		➔ U056075 t	
		● N.L.A.(1)	
4	T400002	! 1	1 Kit
		➔ U056075 t	
		● T410927(1)	
4	U5ME0026	! 1	1 Kit
		➔ U056074 t	
		● U5ME0034(1)	
4	U5ME0026A	! 1	1 Kit
		⚡ 0.25mm	
		➔ U056074 t	
		● U5ME0034A(1)	
4	U5ME0026B	! 1	1 Kit
		⚡ 0.50mm	
		➔ U056074 t	
		● U5ME0034B(1)	
4	U5ME0026C	! 1	1 Kit
		⚡ 0.75mm	
		➔ U056074 t	
		● U5ME0034C(1)	

Engine

Cx Xtrashift tier 3 (2008-2009) - RPC2 - 100

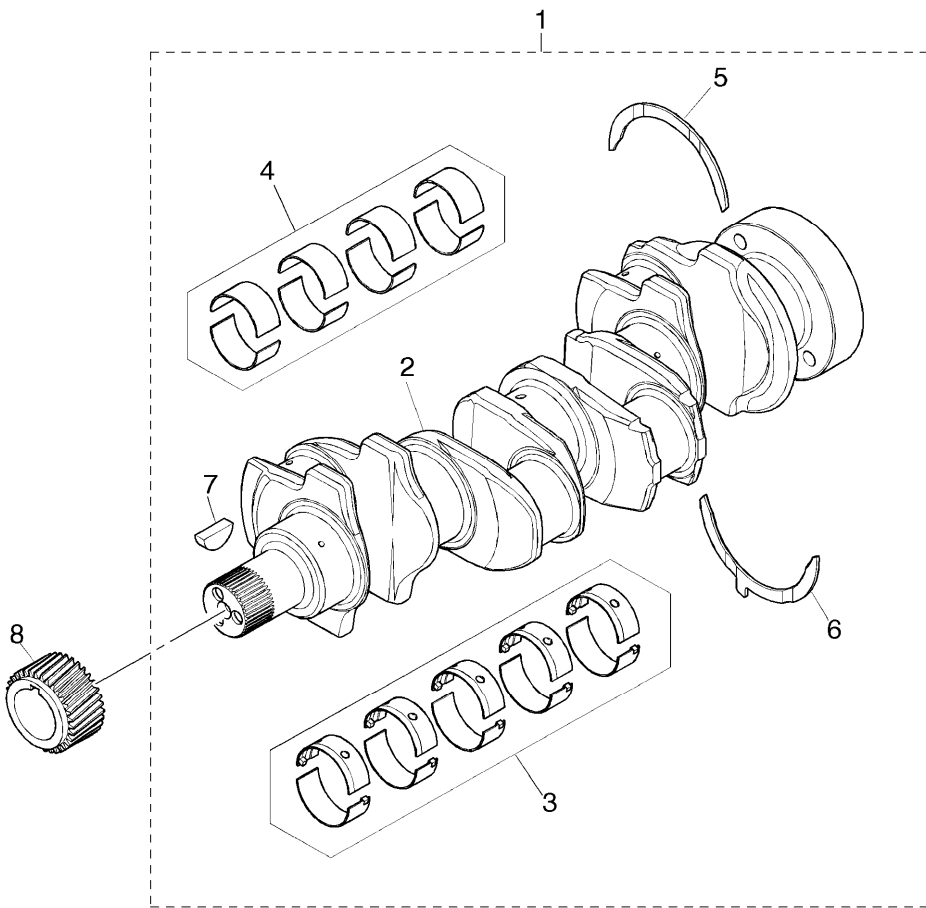
RPC2\000022253.png

**A-05
04**



A0504

Camshaft



5	31137312	!	1
		⌵	0.007"
5	31137551	!	1
6	31137322	!	1
		⌵	0.007"
6	31137561	!	1
7	0500012	!	1
8	3117C221		

Inglese

2	Ring
2	Washer
2	Ring
2	Washer
1	Key
1	Gear

- ! This is a component of an assembly
- ⬇ From serial or engine number
- ⬇ Up to serial or engine number
- ⬇ Not serviced, order
- ⌵ Shim
- Replacement

Engine

Cx Xtrashift tier 3 (2008-2009) - RPC2 - 100

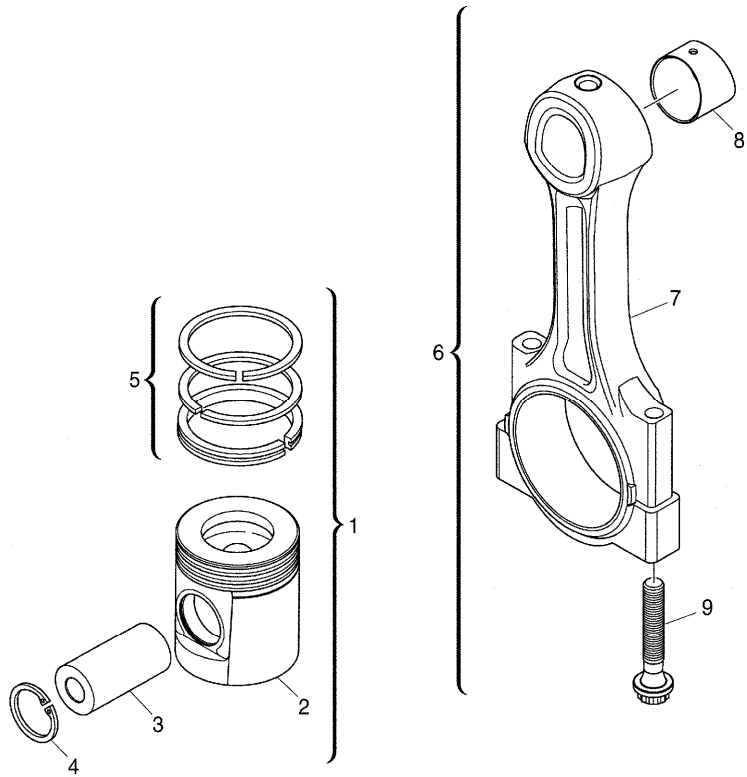
RPC2\000020562.png

A-05
05



A0505

Pistons and connecting rods



			Inglese
1	U5PR0062	Std	4 Kit
1	U5PR0062B	+0,5 mm	4 Kit
2		!	1 Piston
		➡	Ref.n.1
3		!	1 Piston
		➡	Ref.n.1
4	2721332	!	2 Ring
5	UPRK0005	!	1 Kit
6	4115C311	➡	U491477 t
		A	
6	4115C312	➡	U491477 t
		B	
6	4115C313	➡	U491477 t
		C	
6	4115C314	➡	U491477 t
		D	
6	4115C315	➡	U491477 t
		E	
6	4115C316	➡	U491477 t
		F	
6	4115C361	➡	U491478 t
		A	
6	4115C362	➡	U491478 t
		B	
6	4115C363	➡	U491478 t
		C	

Engine

Cx Xtrashift tier 3 (2008-2009) - RPC2 - 100

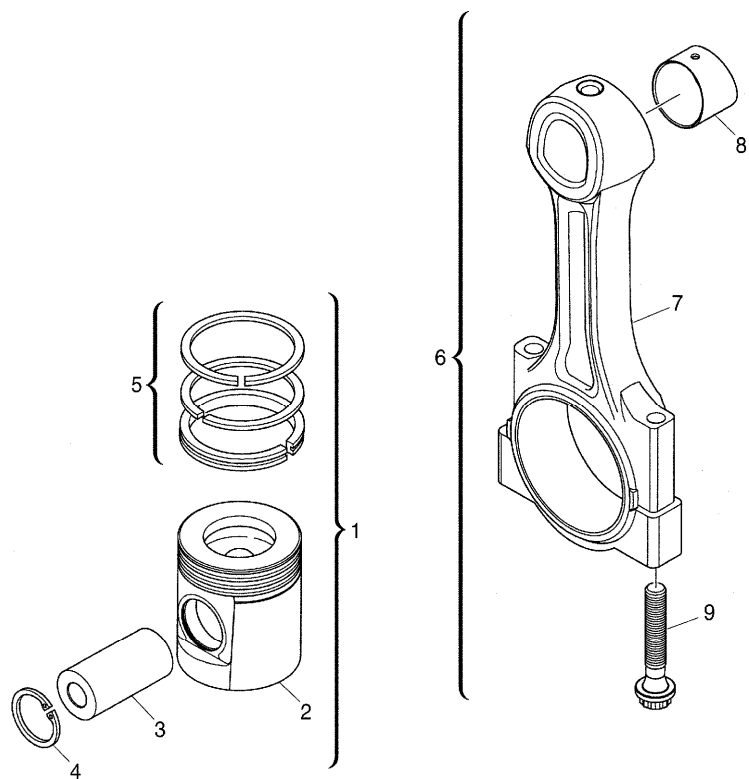
RPC2\000020562.png

A-05
05



A0505

Pistons and connecting rods



		Inglese	
6	4115C364	➡ U491478 t D	4 Conrod
6	4115C365	➡ U491478 t E	4 Conrod
6	4115C366	➡ U491478 t F	4 Conrod
7	!	6 ➡ Ref.n.6	1 Conrod
8	3112A005	!	6 1 Bush
9	3212V003	!	6 2 Screw
!		This is a component of an assembly	
➡		From serial or engine number	
➡		Up to serial or engine number	
➡		Not serviced, order	
A	Red		
B	Orange		
C	White		
D	Green		
E	Purple		
F	Blue		

Engine

Cx Xtrashift tier 3 (2008-2009) - RPC2 - 100

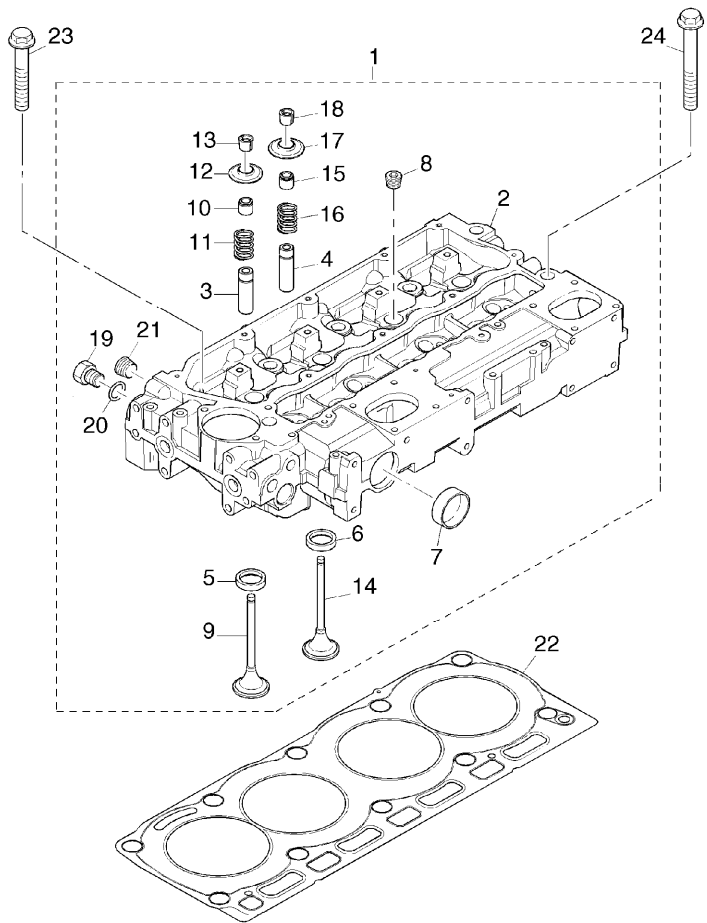
RPC2\000022254.png

A-05
06



A0506

Cylinder head



1	ZZ80280		
2		!	1
3	3313A012	!	1
4	3313A012	!	1
5	3314A221	!	1
6	3314A231	!	1
7	32416117	!	1
8	0650588	!	1
9	3142H101	!	1
10	2418M519	!	1
	A		
11	3174A031	!	1
	● T417479(4)		
12	3342A021	!	1
13	2714A002	!	1
14	3142A171	!	1
15	2418M517	!	1
	B		
16	3174A031	!	1
	● T417479(4)		
17	3342A021	!	1
18	2714A002	!	1
19	3278A006	!	1
20	2415H003	!	1

Inglese

1	Cylinder head
1	Cylinder head
	Ref.n.1
4	Insert
4	Insert
4	Insert
4	Insert
2	Plug
4	Plug
4	Valve
4	Ring
4	Spring
4	Coperch.
8	Collar
4	Valve
4	Ring
4	Spring
4	Coperch.
8	Collar
1	Plug
1	Ring

Engine

Cx Xtrashift tier 3 (2008-2009) - RPC2 - 100

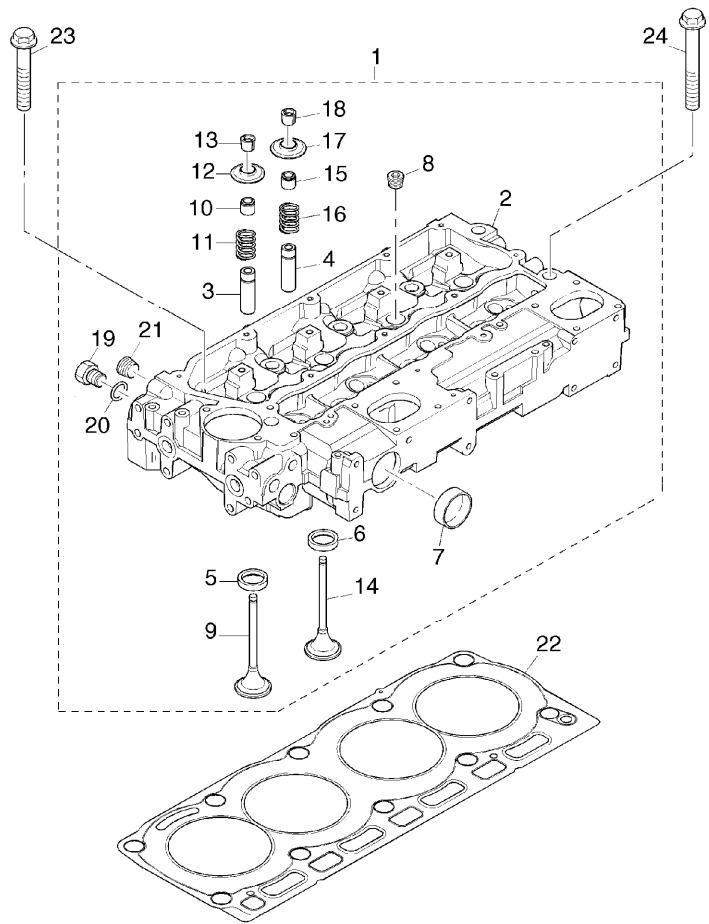
RPC2\000022254.png

A-05
06



A0506

Cylinder head



21 2431154 ! 1

22 3681E051

23 3218A011

24 3218A012

! This is a component of an assembly

🔧 Not serviced, order

🔴 Replacement

A Green

B Brown

Inglese

2 Plug

1 Gasket

7 Screw

3 Screw

Engine

Cx Xtrashift tier 3 (2008-2009) - RPC2 - 100

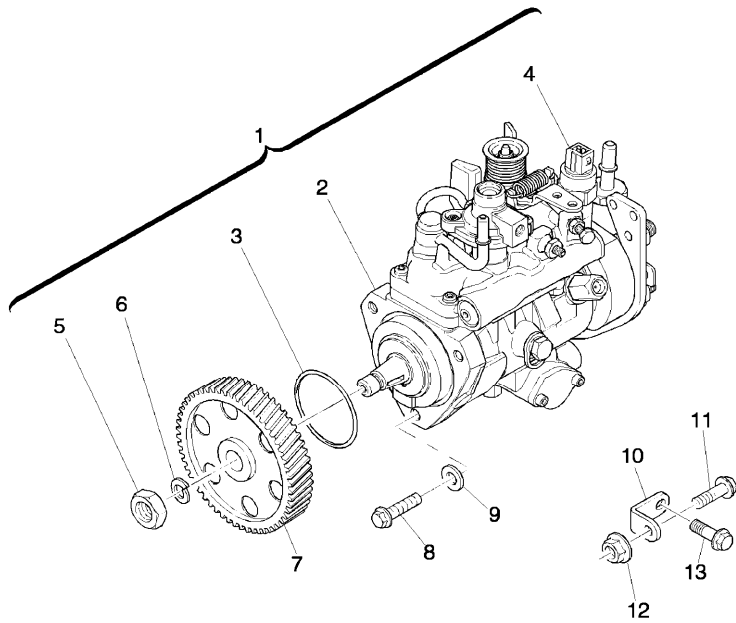
RPC2\000022255.png

A-05
07



A0507

Injection pump assy



		Inglese		
1	2644C314/22	●	2644C314/23(1)	1 Pump
2		!	1	1 Pump
		➡	Ref.n.1	
3	26420318	!	1	1 Ring
4	26420469	!	1	1 Solenoid
5	2318A108	!	1	1 Nut
6	K134AF01	!	1	1 Washer
7	3117L261			1 Gear
8	2314H004			3 Screw
9	2411D008			3 Washer
10	3641A007			1 Stirrup
11	2314H003			1 Screw
12	2318A603			1 Nut
13	2314J002			1 Screw
!	This is a component of an assembly			
➡	Not serviced, order			
●	Replacement			

Engine

Cx Xtrashift tier 3 (2008-2009) - RPC2 - 100

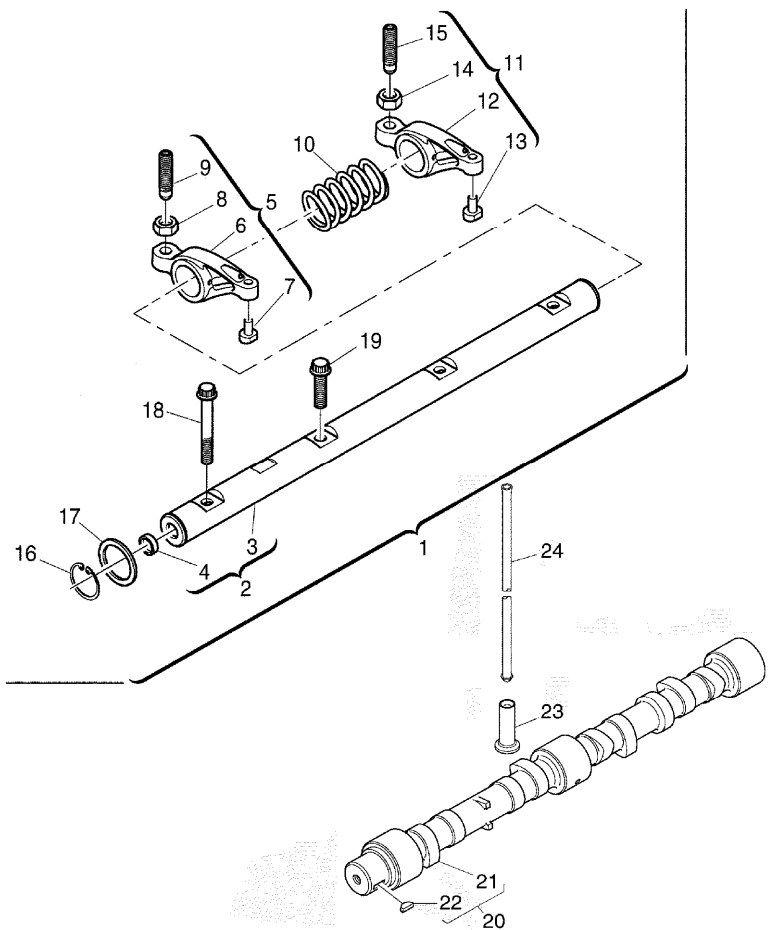
RPC2\000015075.png

**A-05
08**



A0508

Rocker shaft



		Inglese
1	4115R613	1 Axle
2	4115R703	! 1 Shaft
3		! 2 Axe
4	2485A104	! 2 Plug
5	4115R319	! 1 Lever
6		! 5 Rocker
7		! 5 Ref.n.5
8	3331A006	! 5 Nut
9	3211C004	! 5 Screw
10	3174A015	! 1 Spring
11	4115R318	! 1 Lever
12		! 11 Rocker
13		! 11 Ref.n.11
14	3331A006	! 11 Nut
15	3211C004	! 11 Screw
16	2722A022	! 1 Ring
17	2134A502	! 1 Washer
18	2316A902	! 1 Screw
19	2316A902	! 1 Screw
20	4112K032	! 4112K077(1) Shaft

Engine

Cx Xtrashift tier 3 (2008-2009) - RPC2 - 100

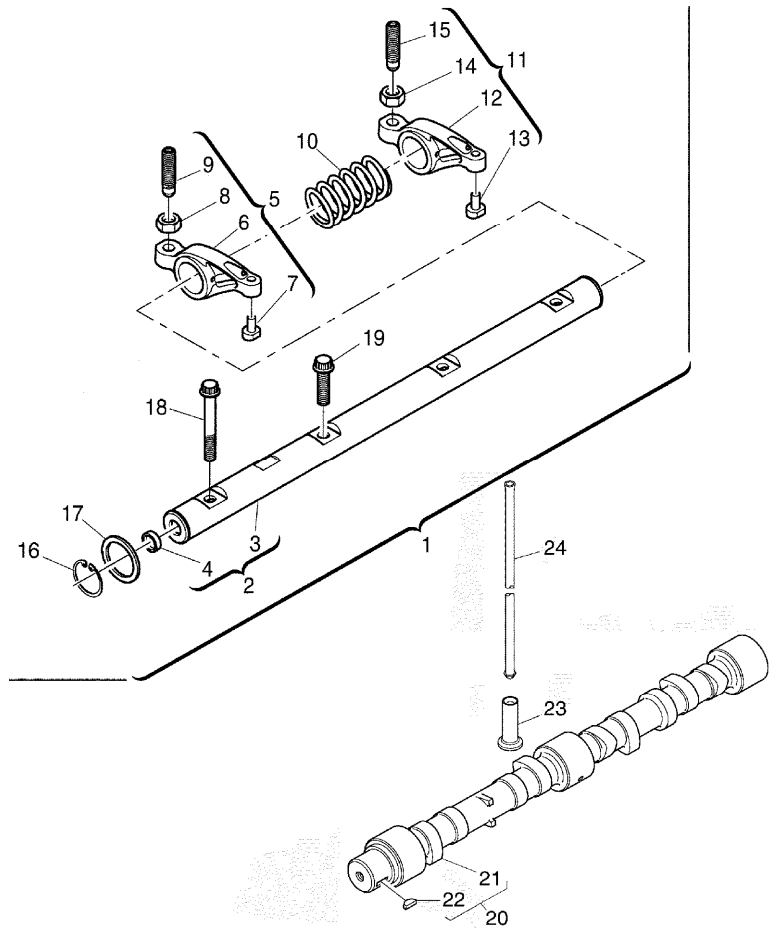
RPC2\000015075.png

A-05
08



A0508

Rocker shaft



- 21 ! 20
- 22 0500012 ! 20
- 23 3142U061 ! 20
- 24 3142V011 ! 20
- ! This is a component of an assembly
- ▣ Not serviced, order
- Replacement

Inglese

- 1 Shaft
- 1 Key
- 8 Tappet
- 8 Rod

Engine

Cx Xtrashift tier 3 (2008-2009) - RPC2 - 100

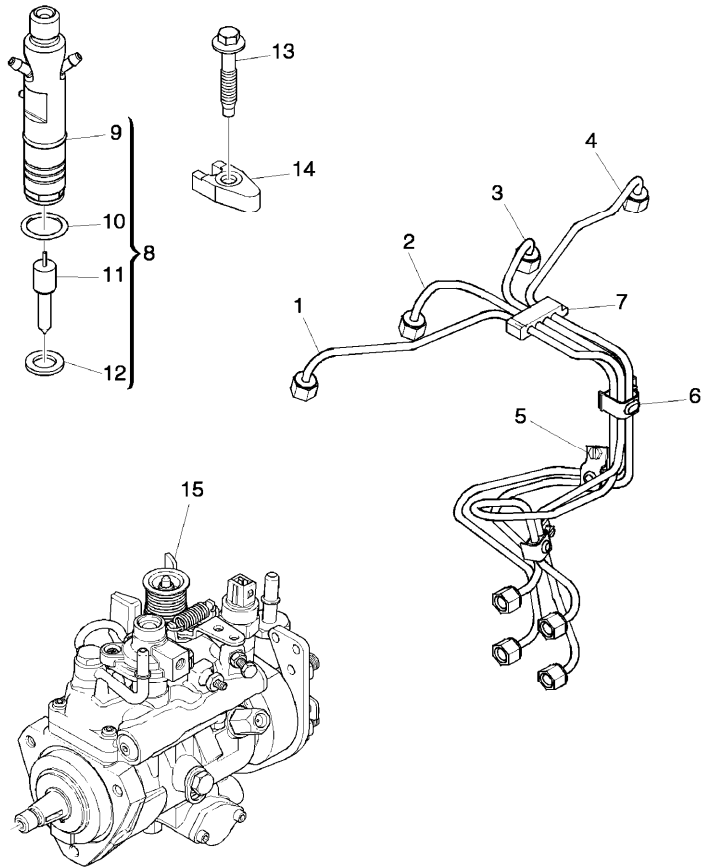
RPC2\000022256.png

**A-05
09**



A0509

Fuel injection equipment (diesel)



		Inglese
1	3525A101	1 Pipe
2	3525A102	1 Pipe
3	3525A103	1 Pipe
4	3525A104	1 Pipe
5	2481Y011	2 Clip
6	2481Y012	1 Clip
7	2646E019	1 Clip
8	2645K025	4 Nozzle
9	! 8	1 Nozzle
	➡ Ref.n.8	
10	26460064 ! 8	1 Ring
11	! 8	1 Nozzle
	➡ Ref.n.8	
12	L311FF02 ! 8	1 Washer
13	2314W009 ! 8	4 Screw
14	3751A241	4 Clamp
15	👁 A-05 07 1	1 Injection pump

! This is a component of an assembly

👁 See page - reference number

➡ Not serviced, order

Engine

Cx Xtrashift tier 3 (2008-2009) - RPC2 - 100

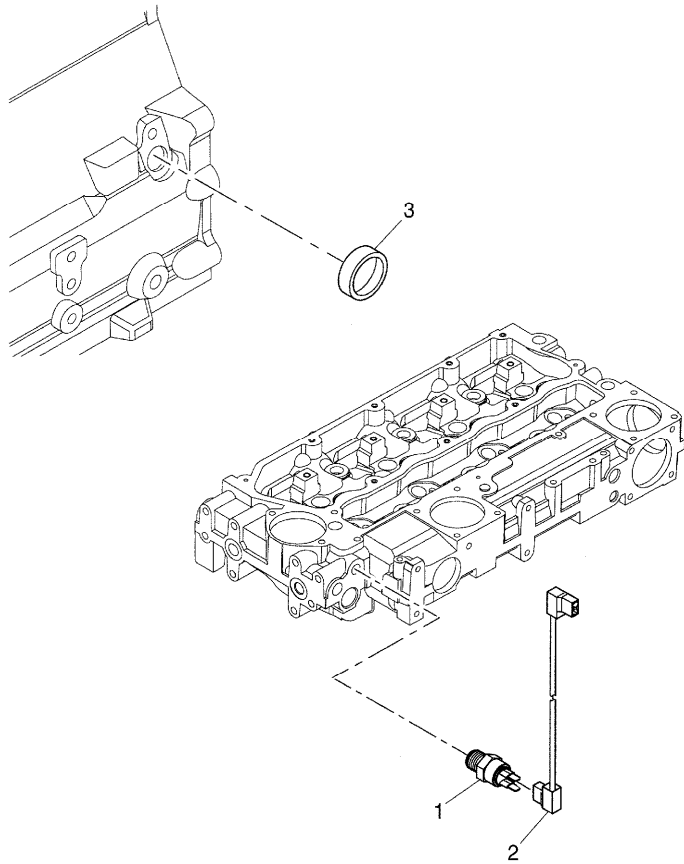
RPC2\000020530.png

A-05
10



A0510

Sensor pickup



- 1 2848A127
- 2 3161C017
- 3 2485A109

Inglese

- 1 Sensor
- 1 Cable
- 1 Plug

Engine

Cx Xtrashift tier 3 (2008-2009) - RPC2 - 100

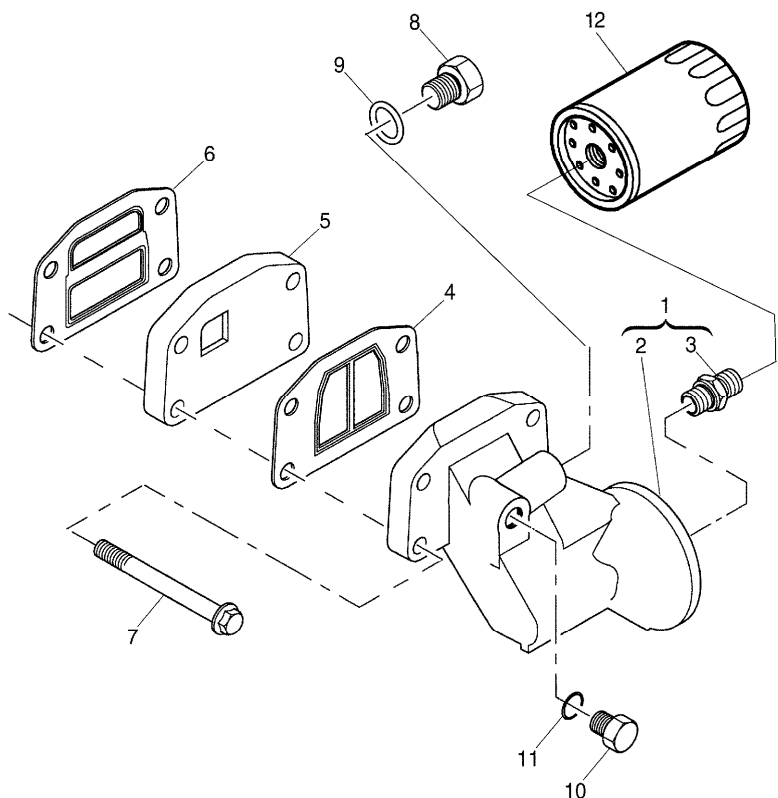
RPC2\000020539.png

A-05
11



A0511

Lube oil filters



			Inglese
1	4134E057	● 3773A071(1)	1 Head
2		! 1	1 Head
3	33554128	➡ Ref.n.1	1 Union
4	3688A041	! 1	1 Gasket
5	3773A081		1 Adaptor
6	3688A039		1 Gasket
7	2314H038		4 Screw
8	3278A004		1 Plug
9	2415H002		1 Ring
10	3278A007		1 Plug
11	2415H009		1 O ring
12	701899A1		1 Oil filter

- ! This is a component of an assembly
- ➡ Not serviced, order
- Replacement

Engine

Cx Xtrashift tier 3 (2008-2009) - RPC2 - 100

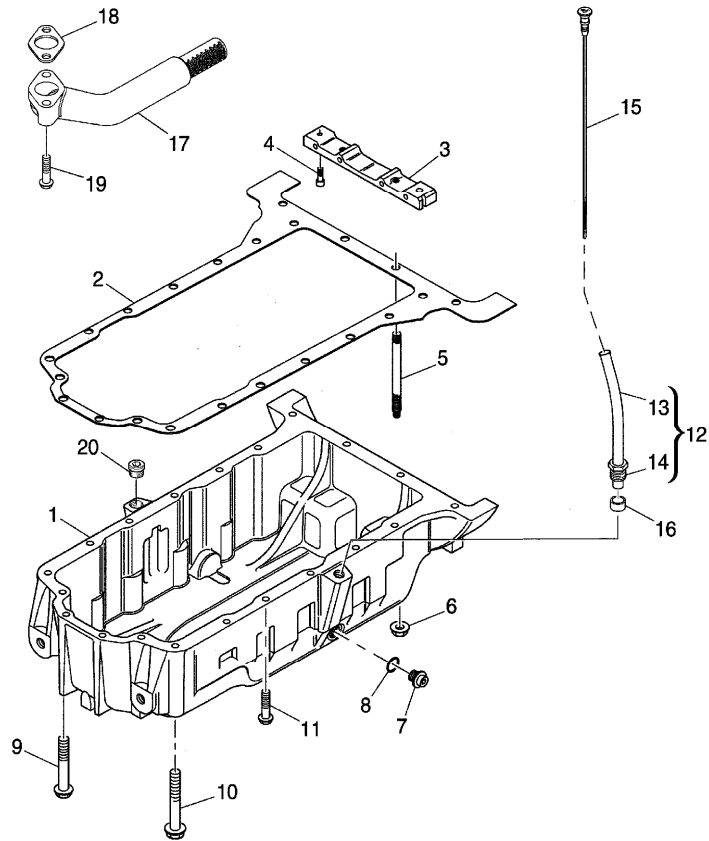
RPC2\000014129.png

A-05
12



A0512

Oil sump



- 1 3717E271
 - 2 3681K036
 - 3 3627P041
 - 4 2311D039
 - 5 3211P013
 - 6 2318A603
 - 7 32186405
 - 8 2415715
 - 9 2314H023
 - 10 2314H022
 - 11 2314H015
 - 12 3577A125
 - 13 ! 12
 - 14 3353D005
 - 15 3178C081
 - 16 33812116
 - 17 3765A091
 - 18 36832137
 - 19 2314H006
 - 20 2431A016
- ! This is a component of an assembly
- ➡ Not serviced, order
- Replacement

● 2314H052(1)

➡ Ref.n.12

! 12

Inglese

- 1 Crankcase
- 1 Gasket
- 1 Crosspiece
- 2 Screw
- 2 Stud
- 2 Nut
- 2 Plug
- 2 Ring
- 5 Screw
- 1 Screw
- 12 Screw
- 1 Pipe
- 1 Pipe
- 1 Nut
- 1 Rod
- 1 Olive
- 1 Pipe
- 1 Gasket
- 2 Screw
- 1 Plug

Engine

Cx Xtrashift tier 3 (2008-2009) - RPC2 - 100

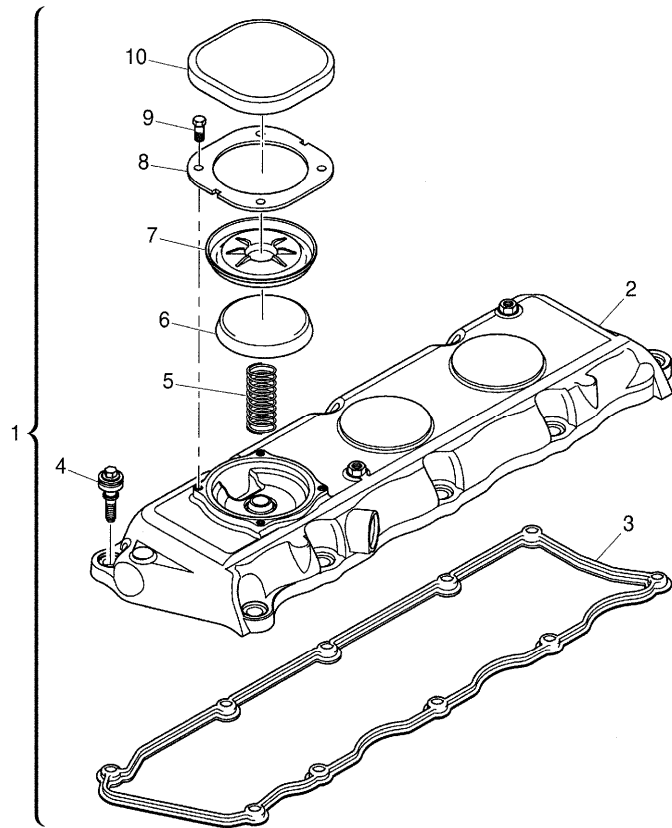
RPC2\000020533.png

A-05
13



A0513

Cylinder head cover



				Inglese
1	4142X325	●	T417478(1)	1 Coperch.
2		!	1	1 Cover
3	3681A055	▶	Ref.n.1	
4		!	1	1 Gasket
5	3174A017	▶	Ref.n.1	
6	3788A002	!	1	10 Screw
7	3789A001	!	1	1 Spring
8	3615A009	!	1	1 Cap
9	2151A001	!	1	1 Diaphragm
10	3788A003	!	1	1 Plate
		!		4 Screw
		!		1 Cap

! This is a component of an assembly
▶ Not serviced, order
● Replacement

Engine

Cx Xtrashift tier 3 (2008-2009) - RPC2 - 100

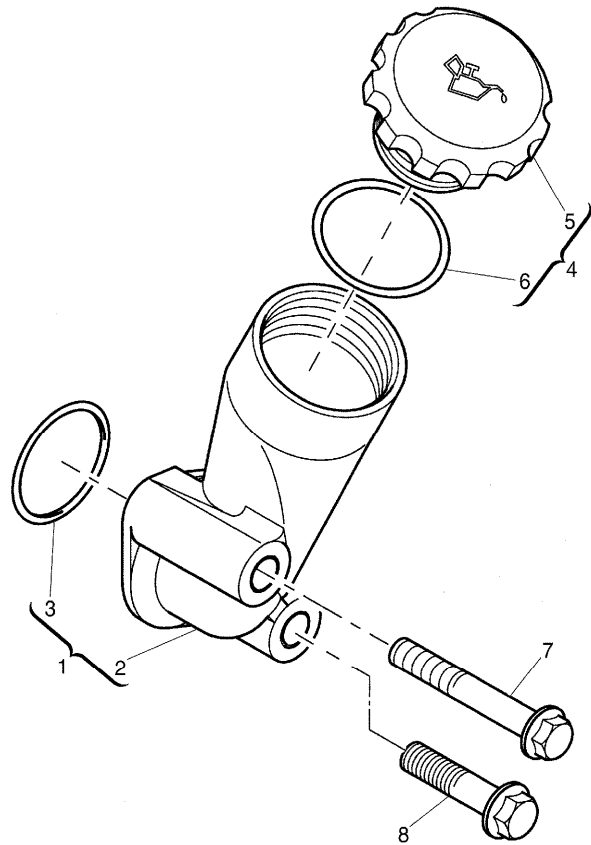
RPC2\000020589.png

A-05
14



A0514

Filler



				Inglese
1	4134C019	●	N.L.S.(1)	1 Filler
2		!	1	1 Body
		➡	Ref.n.1	
3	2415B121	!	1	1 O ring
4	4142X098	!	1	1 Plug
5		!	4	1 Plug
		➡	Ref.n.4	
6	2415633	!	4	1 O ring
7	2314K161			1 Screw
8	2314H008			1 Screw

- ! This is a component of an assembly
- ➡ Not serviced, order
- Replacement



Suggest:

For more complete manuals. Please go to the home page.

<https://www.ebooklibonline.com>

If the above button click is invalid. Please download this document first, and then click the above link to download the complete manual.

Thank you so much for reading

Engine

Cx Xtrashift tier 3 (2008-2009) - RPC2 - 100

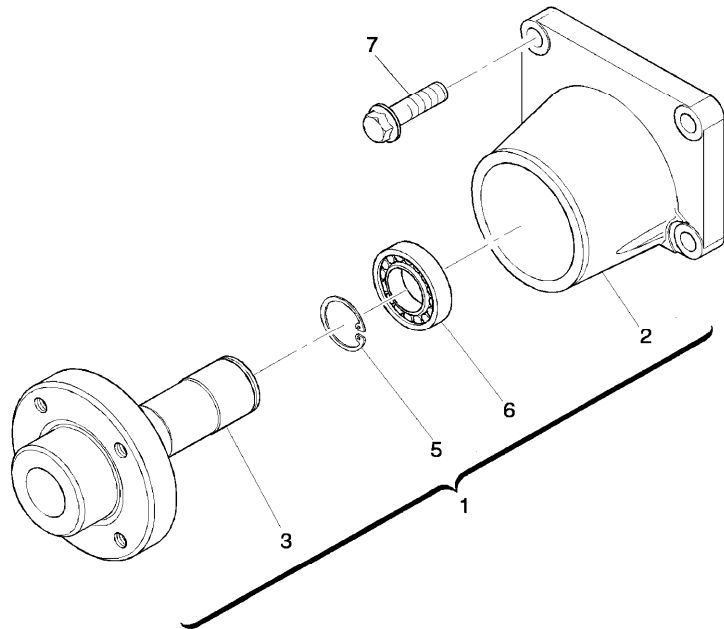
RPC2\000022257.png

A-05
15



A0515

Fan's support



- | | | | |
|---|------------------------------------|---|---------|
| 1 | 4113K007 | | |
| 2 | | ! | 1 |
| | | ➡ | Ref.n.1 |
| 3 | | ! | 1 |
| | | ➡ | Ref.n.1 |
| 4 | | ! | 1 |
| | | ➡ | Ref.n.1 |
| 5 | 2722A022 | ! | 1 |
| 6 | | ! | 1 |
| | | ➡ | Ref.n.1 |
| 7 | 2314J005 | | 4 |
| ! | This is a component of an assembly | | |
| ➡ | Not serviced, order | | |

Inglese

- | | |
|---|---------|
| 1 | Stirrup |
| 1 | Stirrup |
| 1 | Hub |
| 1 | Spacer |
| 1 | Ring |
| 2 | Bearing |
| 4 | Screw |

Engine

Cx Xtrashift tier 3 (2008-2009) - RPC2 - 100

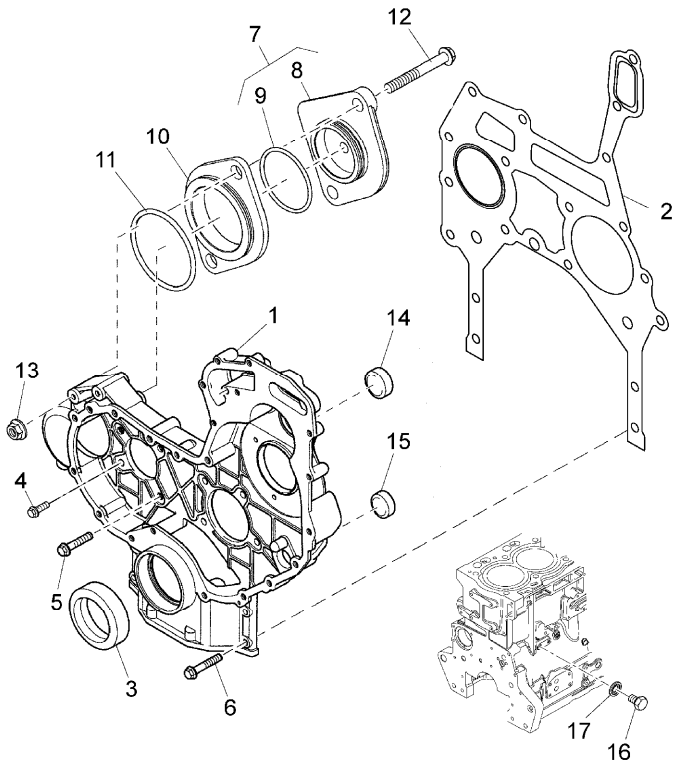
RPC2\000015081.png

**A-05
16**



A0516

Gasket sets



		Inglese
1	3716C581	1 Housing
2	3681P053	1 Gasket
3	2418F437	1 Gasket
4	2314H003	6 Screw
5	2314H006	2 Screw
6	2314H034	4 Screw
7	4148K012	1 Plate
8	!	7
	➡	Ref.n.7
9	2415H515	! 7
		1 Ring
10	3617A021	1 Disc
11	2415H516	1 O ring
12	2314J014	2 Screw
13	2318A604	2 Nut
14	2485A124	1 Plug
15	2485A124	1 Plug
16	2314C049	1 Screw
17	2415D053	1 Washer

! This is a component of an assembly
 ➡ Not serviced, order

<https://www.ebooklibonline.com>

Hello dear friend!

Thank you very much for reading.

Enter the link into your browser.

The full manual is available for immediate download.

<https://www.ebooklibonline.com>