

Engine

Cx Xtrashift tier 3 (2008-2009) - RPC2 - 90

RPC2\00005987.PNG

A-05
01

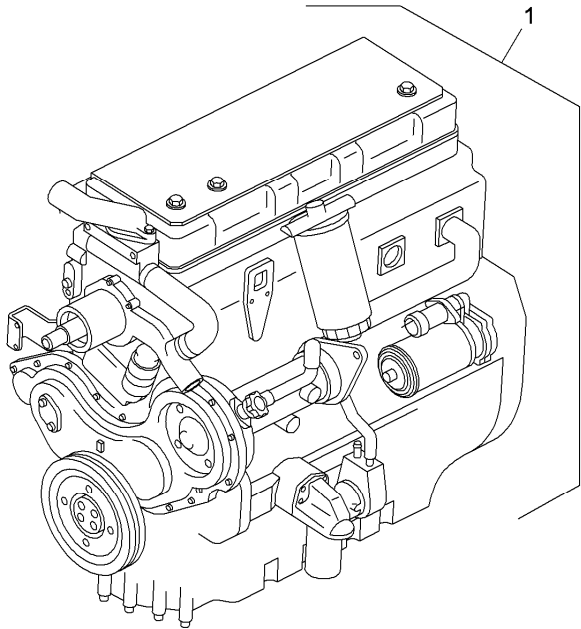


A0501

Engine assembly

1 716218A1

Inglese
1 Engine



Engine

Cx Xtrashift tier 3 (2008-2009) - RPC2 - 90

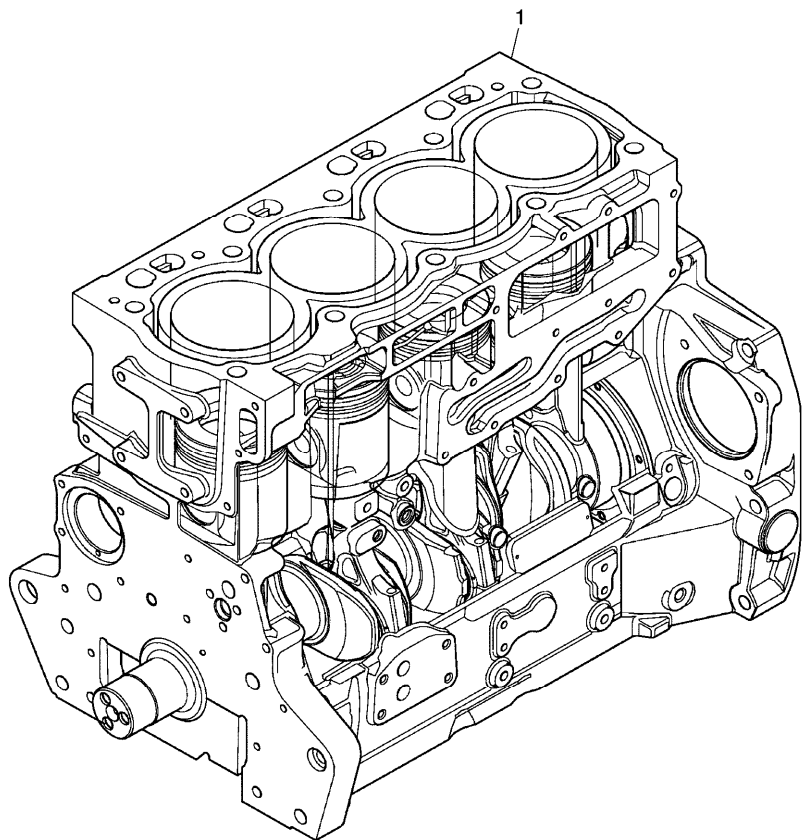
RPC2\000015070.png

A-05
015



A05015

Short engine



Inglese

- | | | | | | |
|---|---------|--|----------------------------------|---|--------------|
| 1 | NM40008 | | U056074 t | 1 | Short engine |
| | | | 3115A141(1),
32186146(3), NM4 | | |
| 1 | NM40019 | | U056075 t | 1 | Short engine |

- From serial or engine number
- Up to serial or engine number
- Replacement

Engine

Cx Xtrashift tier 3 (2008-2009) - RPC2 - 90

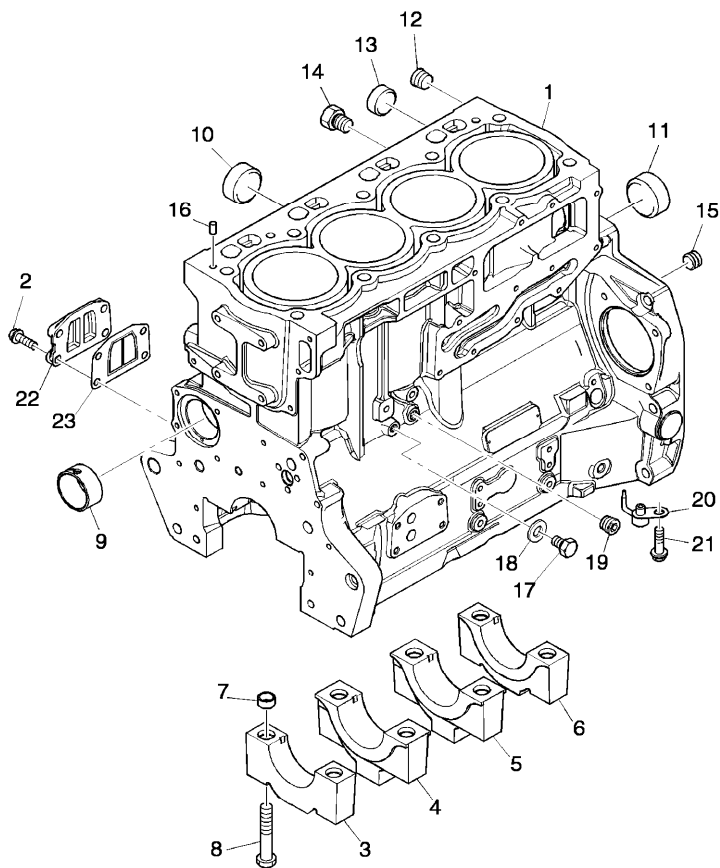
RPC2\000022252.png

A-05
02



A0502

Cylinders block



- 1 ZZ50321
- 2 2314H034
- 3
- 4
- 5
- 6
- 7 33142111
- 8 32166329
- 9 3112D071
- 10 3241A011
- 11 3241A012
- 12 0650588
- 13 0650710
- 14 32141316
- 15 3212P008
- 16 3244A009
- 17 2314C049
- 18 2415D053
- 19 0650594
- 20 2113A003
- 21 2314F001

- ZZ50325(1)
- ! 1
- Ref.n.1
- ! 1
- Ref.n.1
- ! 1
- Ref.n.1
- ! 1
- Ref.n.1
- 3112D075(1)

Inglese

- 1 Block
- 4 Screw
- 1 Bearing cup
- 1 Bearing cup
- 1 Bearing cup
- 1 Bearing cup
- 10 Manicott
- 10 Screw
- 1 Bush
- 2 Plug
- 1 Plug
- 1 Plug
- 1 Plug
- 1 Plug
- 2 Dowel
- 1 Screw
- 1 Washer
- 1 Plug
- 4 Atomiser
- 4 Screw

<https://www.ebooklibonline.com>

Hello dear friend!

Thank you very much for reading.

Enter the link into your browser.

The full manual is available for immediate download.

<https://www.ebooklibonline.com>

Engine

Cx Xtrashift tier 3 (2008-2009) - RPC2 - 90

A-05
02



A0502

Cylinders block

RPC2\000022252.png

Inglese

22 3753A071

1 Coperch.

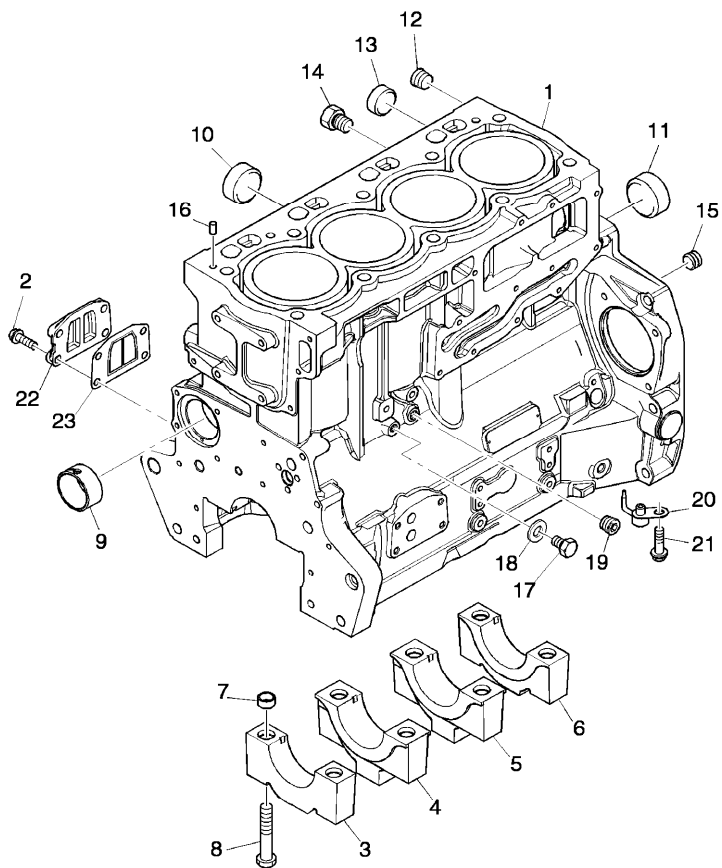
23 3688A041

1 Gasket

! This is a component of an assembly

▣ Not serviced, order

● Replacement



Engine

Cx Xtrashift tier 3 (2008-2009) - RPC2 - 90

RPC2\000015074.png

A-05
03



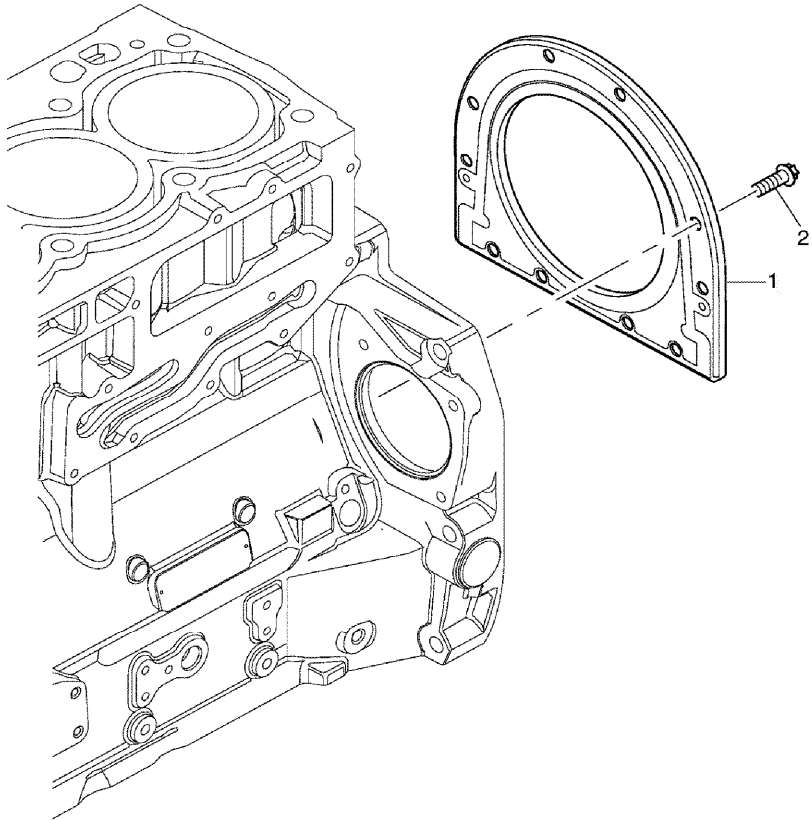
A0503

End cover

Inglese

- 1 2418F704
- 2 3211C002

- 1 Housing
- 10 Screw



Engine

Cx Xtrashift tier 3 (2008-2009) - RPC2 - 90

A-05
04

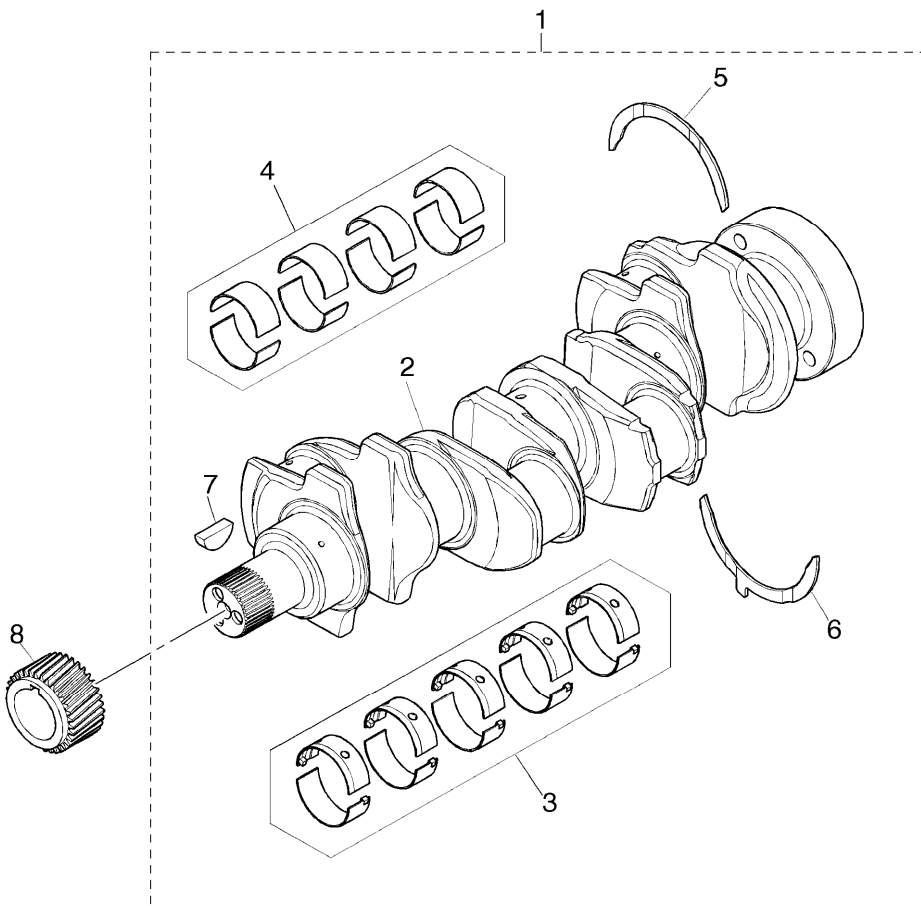


A0504

Camshaft

RPC2\000022253.png

Inglese



1	ZZ90222	➔	U056074 t	1	Kit
		●	ZZ90239(1)		
1	ZZ90237	➔	U056075 t	1	Shaft
2		!	1	1	Shaft
		➔	Ref.n.1		
3	U5MB0018	!	1	1	Kit
		➔	U056074 t		
		●	U5MB0033(1)		
3	U5MB0018A	!	1	1	Kit
		⌵	0.010"		
		➔	U056074 t		
		●	U5MB0033A(1)		
3	U5MB0018B	!	1	1	Kit
		⌵	0.020"		
		➔	U056074 t		
		●	U5MB0033B(1)		
3	U5MB0018C	!	1	1	Kit
		⌵	0.030"		
		➔	U056074 t		
		●	N.L.A.(1)		
3	U5MB0033	!	1	1	Kit
		➔	U056075 t		
3	U5MB0033A	!	1	1	Kit
		⌵	-0,25mm		
		➔	U056075 t		

Engine

Cx Xtrashift tier 3 (2008-2009) - RPC2 - 90

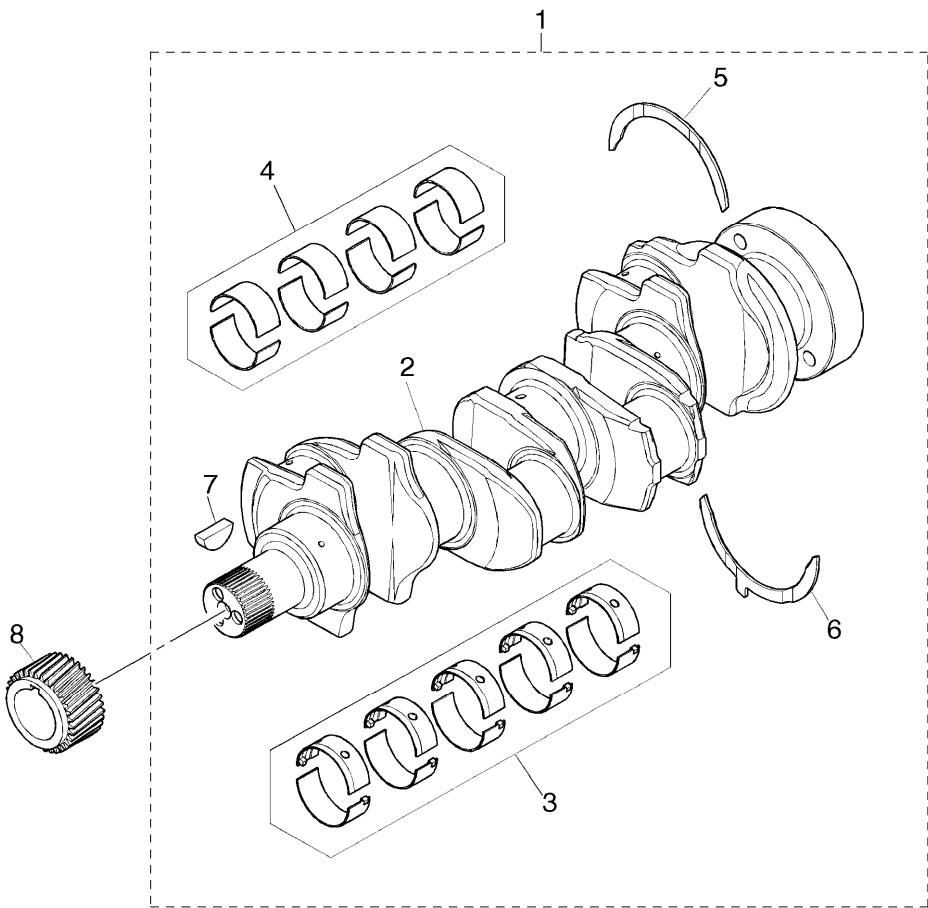
RPC2\000022253.png

A-05
04



A0504

Camshaft



		Inglese	
3	U5MB0033B	! 1	1 Kit
		⚡ -0,50mm	
		➡ U056075 t	
3	U5MB0033C	! 1	1 Kit
		⚡ -0,75mm	
		➡ U056075 t	
		● N.L.A.(1)	
4	T400002	! 1	1 Kit
		➡ U056075 t	
		● T410927(1)	
4	U5ME0026	! 1	1 Kit
		➡ U056074 t	
		● U5ME0034(1)	
4	U5ME0026A	! 1	1 Kit
		⚡ 0.25mm	
		➡ U056074 t	
		● U5ME0034A(1)	
4	U5ME0026B	! 1	1 Kit
		⚡ 0.50mm	
		➡ U056074 t	
		● U5ME0034B(1)	
4	U5ME0026C	! 1	1 Kit
		⚡ 0.75mm	
		➡ U056074 t	
		● U5ME0034C(1)	

Engine

Cx Xtrashift tier 3 (2008-2009) - RPC2 - 90

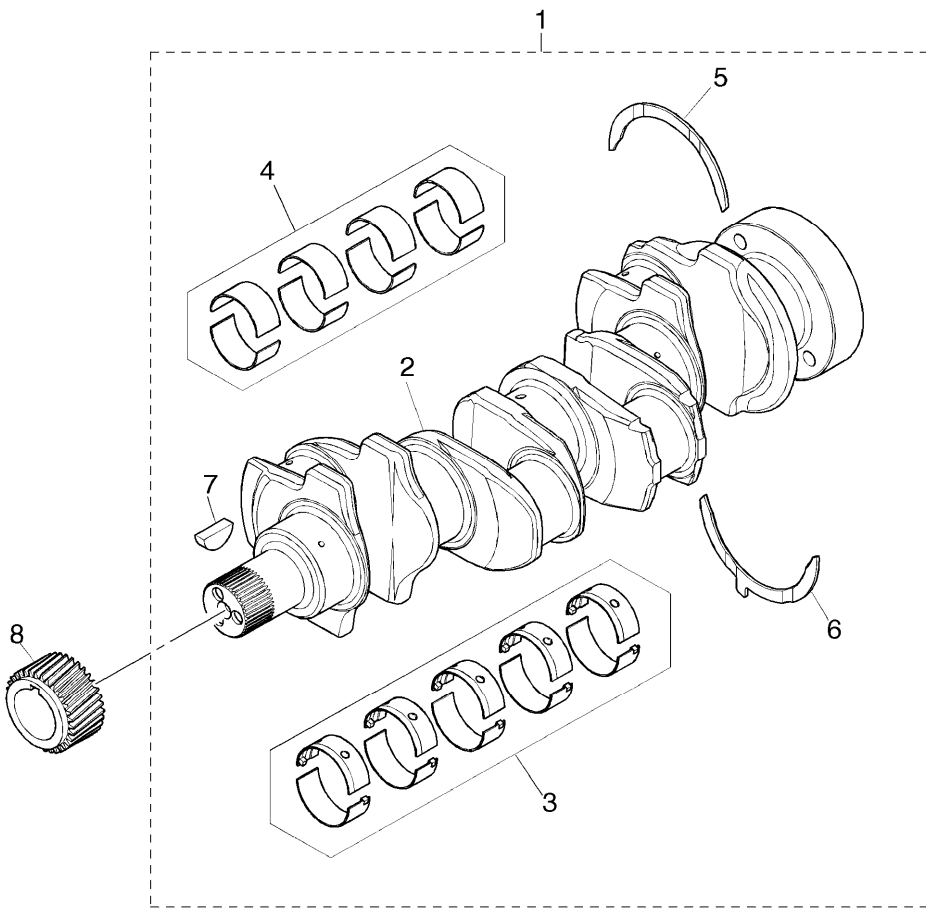
RPC2\000022253.png

**A-05
04**



A0504

Camshaft



5	31137312	!	1
		⌵	0.007"
5	31137551	!	1
6	31137322	!	1
		⌵	0.007"
6	31137561	!	1
7	0500012	!	1
8	3117C221		

Inglese

2	Ring
2	Washer
2	Ring
2	Washer
1	Key
1	Gear

- ! This is a component of an assembly
- ⬇ From serial or engine number
- ⬇ Up to serial or engine number
- ⬇ Not serviced, order
- ⌵ Shim
- Replacement

Engine

Cx Xtrashift tier 3 (2008-2009) - RPC2 - 90

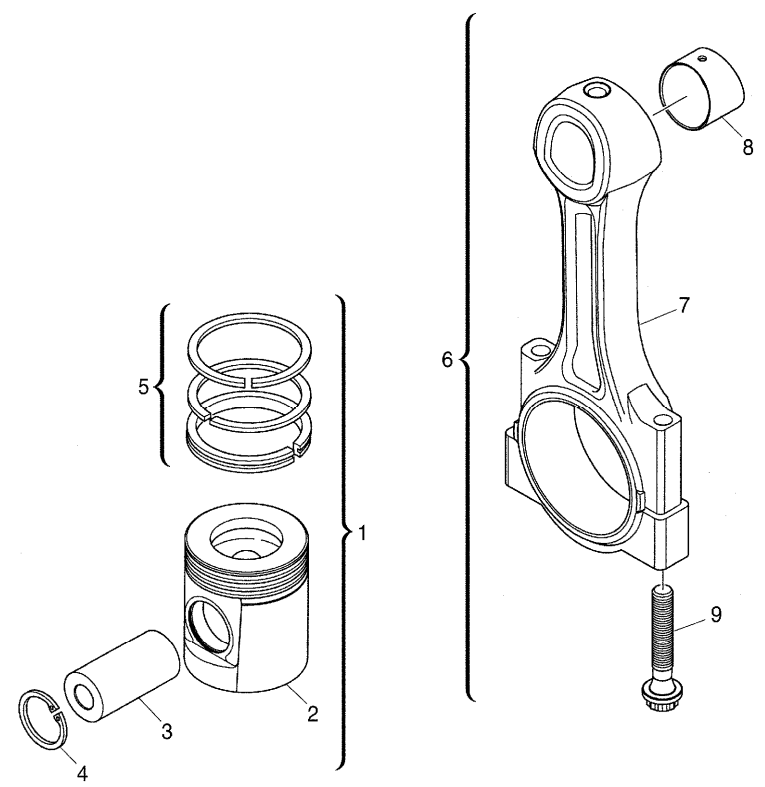
A-05
05



A0505

Pistons and connecting rods

RPC2\000020562.png



			Inglese
1	U5PR0062	Std	4 Kit
1	U5PR0062B	+0,5 mm	4 Kit
2		! 1	1 Piston
		➡ Ref.n.1	
3		! 1	1 Piston
		➡ Ref.n.1	
4	2721332	! 1	2 Ring
5	UPRK0005	! 1	1 Kit
6	4115C311	➡ U056074 t	4 Kit
		A	
6	4115C312	➡ U056074 t	4 Kit
		B	
6	4115C313	➡ U056074 t	4 Kit
		C	
6	4115C314	➡ U056074 t	4 Kit
		D	
6	4115C315	➡ U056074 t	4 Kit
		E	
6	4115C316	➡ U056074 t	4 Kit
		F	
6	4115C361	➡ U056075 t	4 Conrod
		A	
6	4115C362	➡ U056075 t	4 Conrod
		B	
6	4115C363	➡ U056075 t	4 Conrod
		C	

Engine

Cx Xtrashift tier 3 (2008-2009) - RPC2 - 90

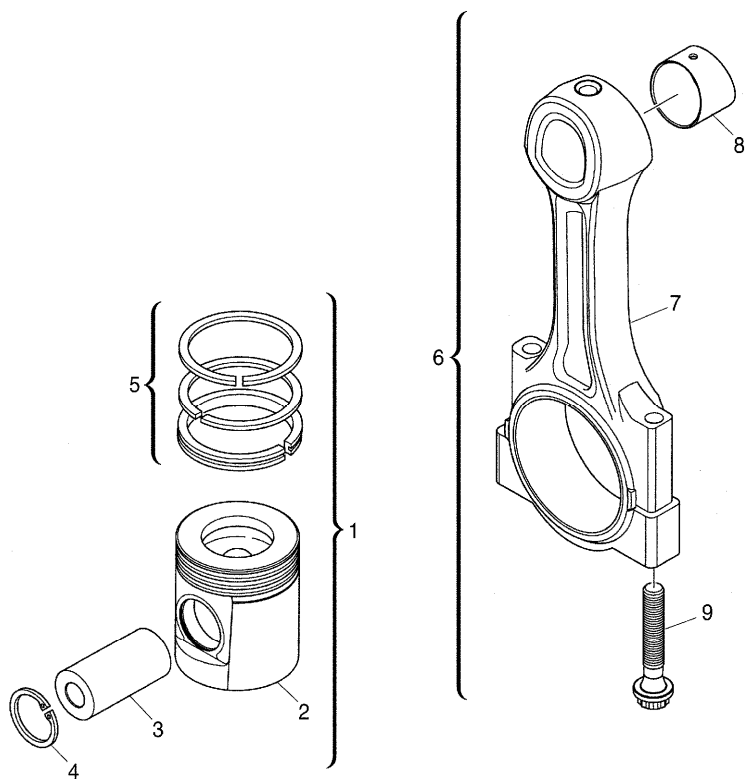
RPC2\000020562.png

**A-05
05**



A0505

Pistons and connecting rods



		Inglese	
6	4115C364	➡ U056075 t D	4 Conrod
6	4115C365	➡ U056075 t E	4 Conrod
6	4115C366	➡ U056075 t F	4 Conrod
7		! 6 ➡ Ref.n.6	1 Conrod
8	3112A005	! 6	1 Bush
9	3212V003	! 6 ➡ U056074 t	2 Screw
9	T400001	! 6 ➡ U056075 t	2 Screw

- ! This is a component of an assembly
- ➡ From serial or engine number
- ➡ Up to serial or engine number
- ➡ Not serviced, order
- A Red
- B Orange
- C White
- D Green
- E Purple
- F Blue

Engine

Cx Xtrashift tier 3 (2008-2009) - RPC2 - 90

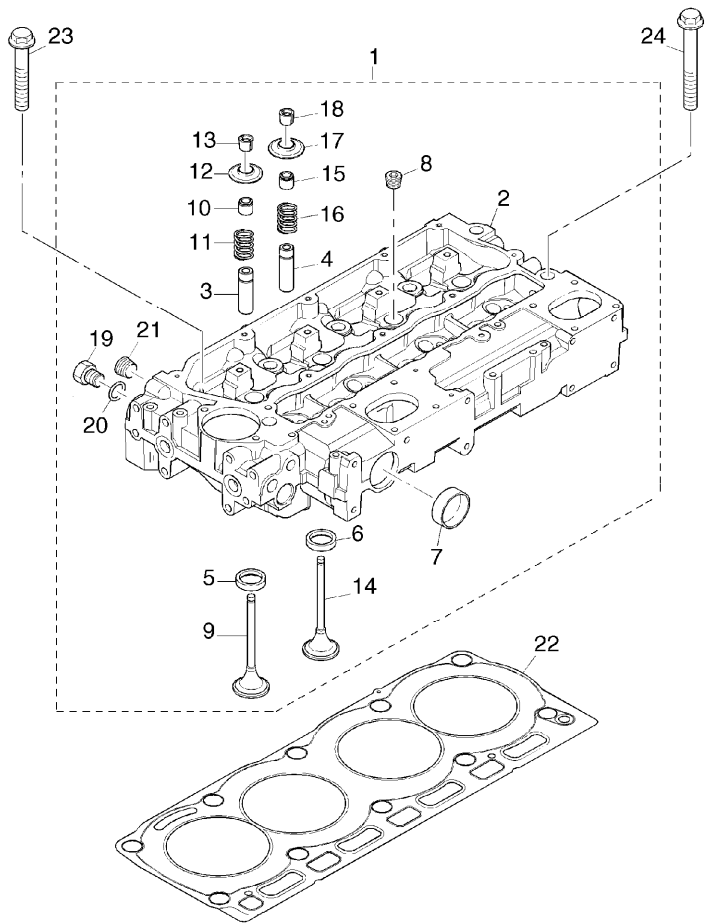
RPC2\000022254.png

**A-05
06**



A0506

Cylinder head



1	ZZ80280		
2		!	1
3	3313A012	!	1
4	3313A012	!	1
5	3314A221	!	1
6	3314A231	!	1
7	32416117	!	1
8	0650588	!	1
9	3142H101	!	1
10	2418M519	!	1
	A		
11	3174A031	!	1
	● T417479(4)		
12	3342A021	!	1
13	2714A002	!	1
14	3142A171	!	1
15	2418M517	!	1
	B		
16	3174A031	!	1
	● T417479(4)		
17	3342A021	!	1
18	2714A002	!	1
19	3278A006	!	1
20	2415H003	!	1

Inglese

1	Cylinder head
1	Cylinder head
	➡ Ref.n.1
4	Insert
4	Insert
4	Insert
4	Insert
2	Plug
4	Plug
4	Valve
4	Ring
4	Spring
4	Coperch.
8	Collar
4	Valve
4	Ring
4	Spring
4	Coperch.
8	Collar
1	Plug
1	Ring

Engine

Cx Xtrashift tier 3 (2008-2009) - RPC2 - 90

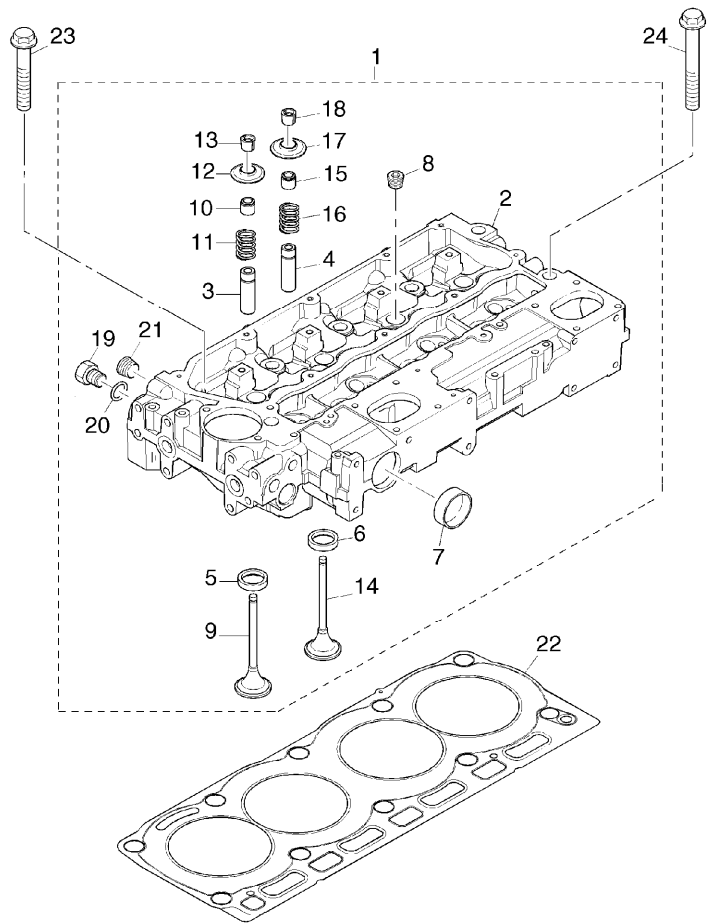
A-05
06



A0506

Cylinder head

RPC2\000022254.png



21 2431154 ! 1

22 3681E051

23 3218A011

24 3218A012

! This is a component of an assembly

🔧 Not serviced, order

🔴 Replacement

A Green

B Brown

Inglese

2 Plug

1 Gasket

7 Screw

3 Screw

Engine

Cx Xtrashift tier 3 (2008-2009) - RPC2 - 90

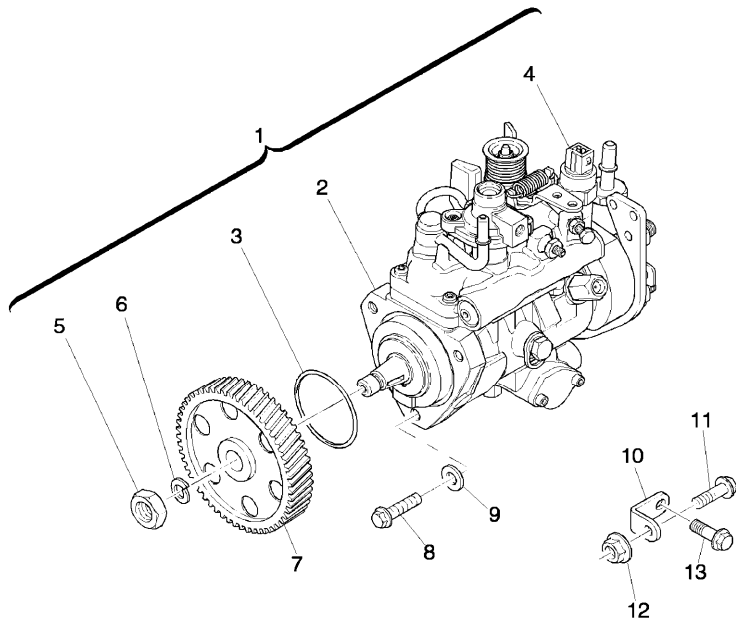
RPC2\000022255.png

A-05
07



A0507

Injection pump assy



1	2644C342/22			
2		!	1	
		➡	Ref.n.1	
3	26420318	!	1	
4	26420469	!	1	
5	2318A108	!	1	
6	K134AF01	!	1	
7	3117L261			
8	2314H004			
9	2411D008			
10	3641A007			
11	2314H003			
12	2318A603			
13	2314J002			
!	This is a component of an assembly			
➡	Not serviced, order			

Inglese

1	Pump
1	Pump
1	Ring
1	Solenoid
1	Nut
1	Washer
1	Gear
3	Screw
3	Washer
1	Stirrup
1	Screw
1	Nut
1	Screw

Engine

Cx Xtrashift tier 3 (2008-2009) - RPC2 - 90

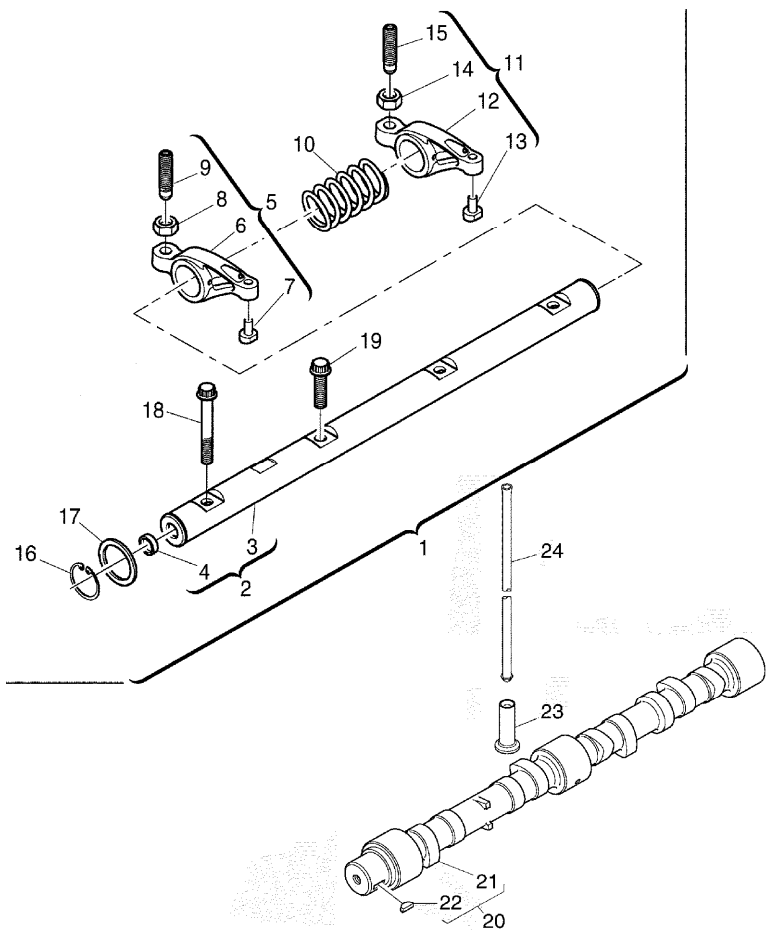
RPC2\000015075.png

**A-05
08**



A0508

Rocker shaft



		Inglese
1	4115R613	1 Axle
2	4115R703	! 1 Shaft
3		! 2 1 Axe
4	2485A104	! 2 2 Plug
5	4115R319	! 1 4 Lever
6		! 5 1 Rocker
7		! 5 1 Pad
8	3331A006	! 5 1 Nut
9	3211C004	! 5 1 Screw
10	3174A015	! 1 3 Spring
11	4115R318	! 1 4 Lever
12		! 11 1 Rocker
13		! 11 1 Pad
14	3331A006	! 11 1 Nut
15	3211C004	! 11 1 Screw
16	2722A022	! 1 2 Ring
17	2134A502	! 1 2 Washer
18	2316A902	! 1 1 Screw
19	2316A902	! 1 3 Screw
20	4112K032	! 4112K077(1) 1 Shaft

Engine

Cx Xtrashift tier 3 (2008-2009) - RPC2 - 90

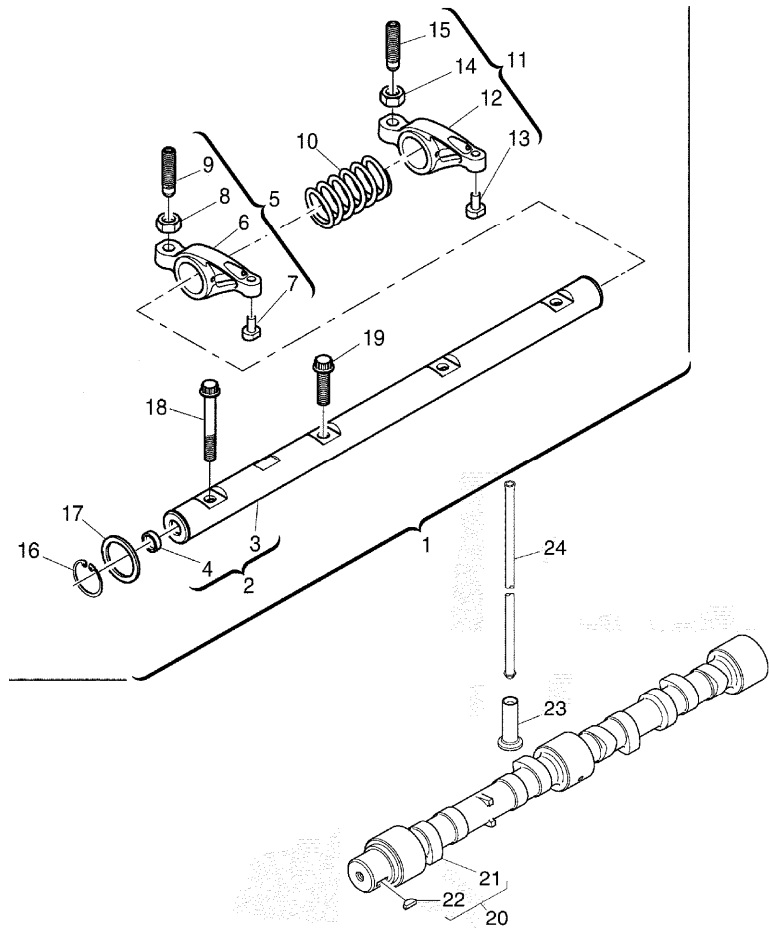
RPC2\000015075.png

A-05
08



A0508

Rocker shaft



- 21 ! 20
 - 22 0500012 ! 20
 - 23 3142U061 ! 20
 - 24 3142V011 ! 20
- ! This is a component of an assembly
 ▣ Not serviced, order
 ● Replacement

Inglese

- 1 Shaft
- 1 Key
- 8 Tappet
- 8 Rod

Engine

Cx Xtrashift tier 3 (2008-2009) - RPC2 - 90

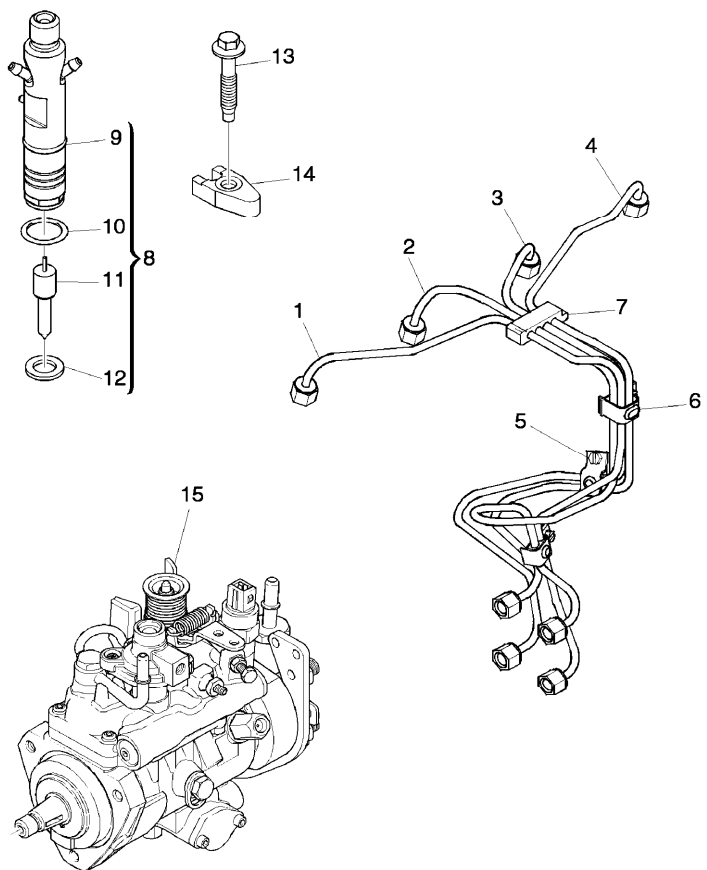
A-05
09



A0509

Fuel injection equipment (diesel)

RPC2\000022256.png



		Inglese
1	3525A101	1 Pipe
2	3525A102	1 Pipe
3	3525A103	1 Pipe
4	3525A104	1 Pipe
5	2481Y011	2 Clip
6	2481Y012	1 Clip
7	2646E019	1 Clip
8	2645K025	4 Nozzle
9	! 8	1 Nozzle
	➡ Ref.n.8	
10	26460064 ! 8	1 Ring
11	! 8	1 Nozzle
	➡ Ref.n.8	
12	L311FF02 ! 8	1 Washer
13	2314W009 ! 8	4 Screw
14	3751A241	4 Clamp
15	👁 A-05 07 1	1 Injection pump

! This is a component of an assembly

👁 See page - reference number

➡ Not serviced, order

Engine

Cx Xtrashift tier 3 (2008-2009) - RPC2 - 90

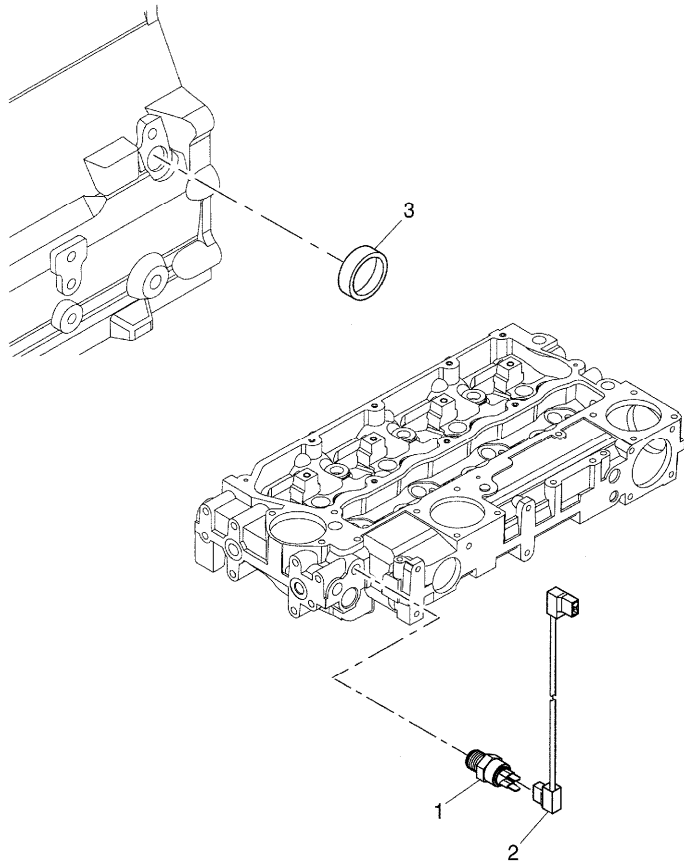
RPC2\000020530.png

A-05
10



A0510

Sensor pickup



- 1 2848A127
- 2 3161C017
- 3 2485A109

Inglese

- 1 Sensor
- Cable
- 1 Plug

Engine

Cx Xtrashift tier 3 (2008-2009) - RPC2 - 90

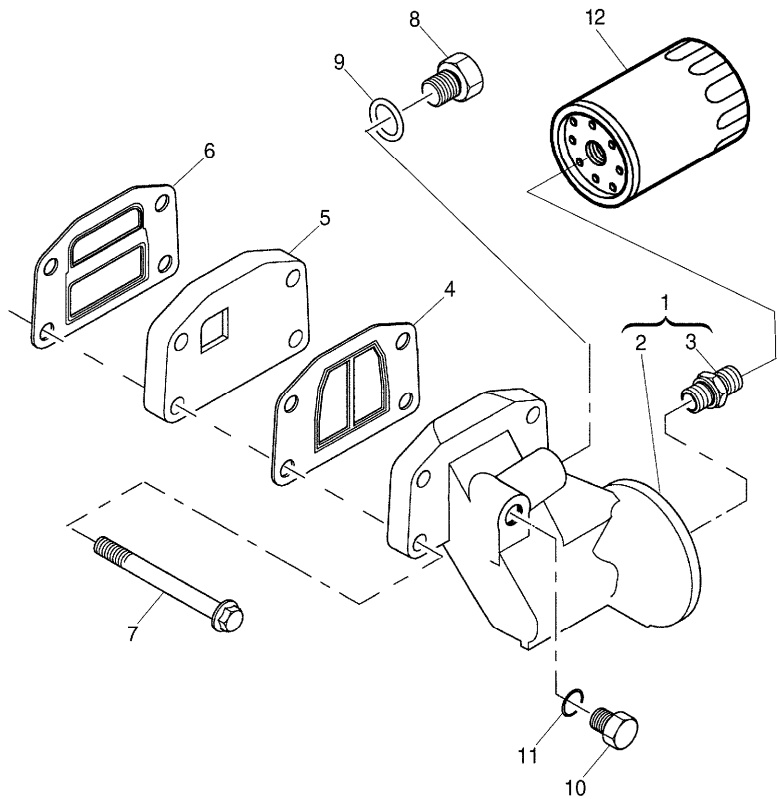
**A-05
11**



A0511

Lube oil filters

RPC2\000020539.png



		Inglese
1	4134E057	● 3773A071(1) 1 Head
2		! 1 1 Head
3	33554128	➡ Ref.n.1 1 Union
4	3688A041	! 1 Gasket
5	3773A081	! 1 Adaptor
6	3688A039	! 1 Gasket
7	2314H038	! 4 Screw
8	3278A004	! 1 Plug
9	2415H002	! 1 Ring
10	3278A007	! 1 Plug
11	2415H009	! 1 O ring
12	701899A1	! 1 Oil filter

- ! This is a component of an assembly
- ➡ Not serviced, order
- Replacement

Engine

Cx Xtrashift tier 3 (2008-2009) - RPC2 - 90

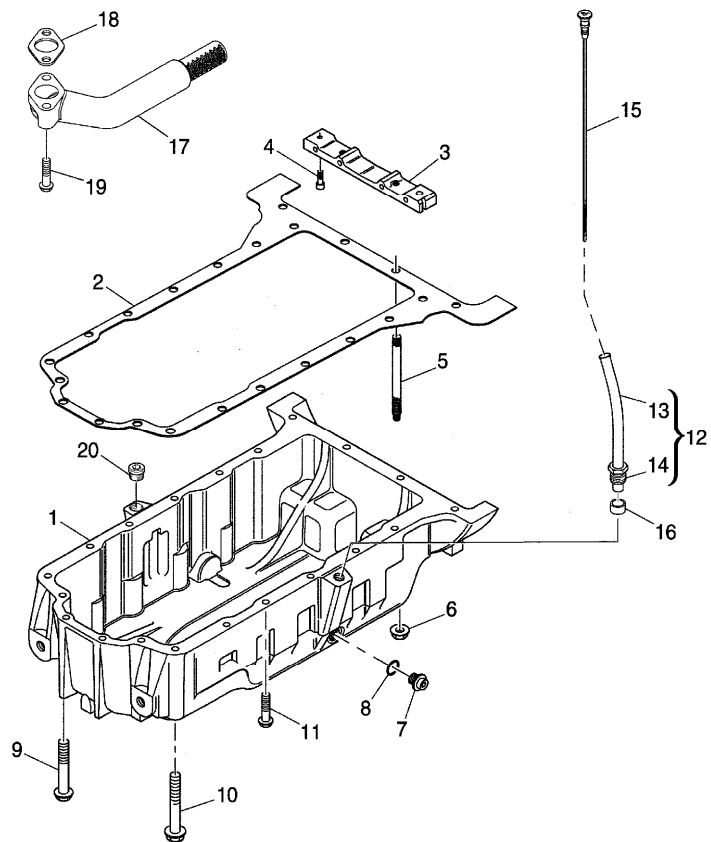
RPC2\000014129.png

A-05
12



A0512

Oil sump



- 1 3717E271
- 2 3681K036
- 3 3627P041
- 4 2311D039
- 5 3211P013
- 6 2318A603
- 7 32186405
- 8 2415715
- 9 2314H023
- 10 2314H022
- 11 2314H015
- 12 3577A125
- 13
- 14 3353D005
- 15 3178C081
- 16 33812116
- 17 3765A091
- 18 36832137
- 19 2314H006
- 20 2431A016

- 2314H052(1)
- ! 12
- ➡ Ref.n.12
- ! 12

- Inglese**
- 1 Crankcase
 - 1 Gasket
 - 1 Crosspiece
 - 2 Screw
 - 2 Stud
 - 2 Nut
 - 2 Plug
 - 2 Ring
 - 5 Screw
 - 1 Screw
 - 12 Screw
 - 1 Pipe
 - 1 Pipe
 - 1 Nut
 - 1 Rod
 - 1 Olive
 - 1 Pipe
 - 1 Gasket
 - 2 Screw
 - 1 Plug

- ! This is a component of an assembly
- ➡ Not serviced, order
- Replacement

Engine

Cx Xtrashift tier 3 (2008-2009) - RPC2 - 90

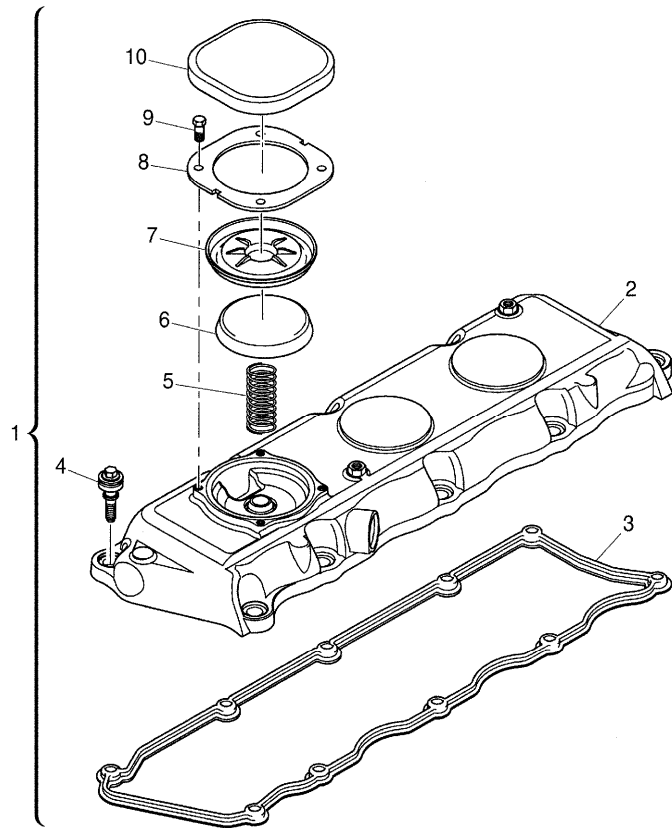
RPC2\000020533.png

A-05
13



A0513

Cylinder head cover



		Inglese	
1	4142X325	● T417478(1)	1 Coperch.
2		! 1	1 Cover
3	3681A055	➡ Ref.n.1	1 Gasket
4		! 1	10 Screw
5	3174A017	➡ Ref.n.1	1 Spring
6	3788A002	! 1	1 Cap
7	3789A001	! 1	1 Diaphragm
8	3615A009	! 1	1 Plate
9	2151A001	! 1	4 Screw
10	3788A003	! 1	1 Cap
!		This is a component of an assembly	
➡		Not serviced, order	
●		Replacement	

Engine

Cx Xtrashift tier 3 (2008-2009) - RPC2 - 90

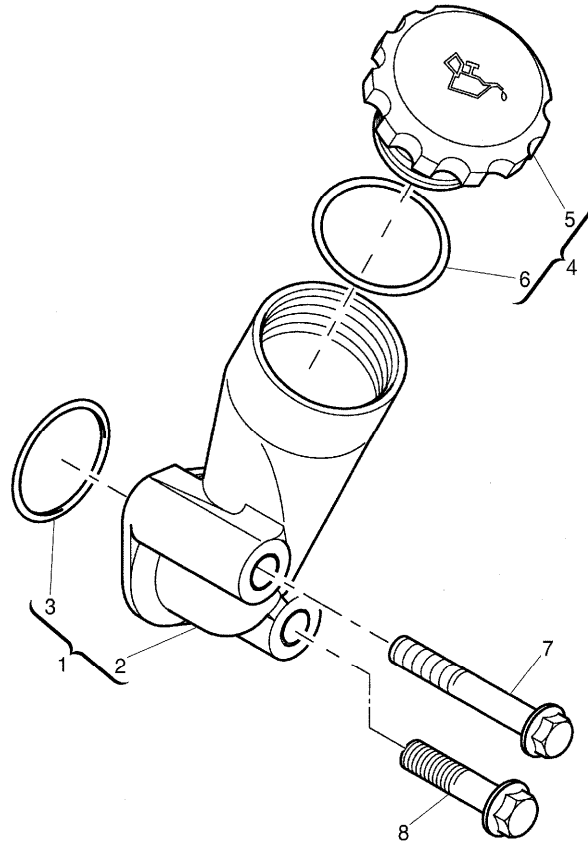
RPC2\000020589.png

A-05
14



A0514

Filler



				Inglese
1	4134C019	●	N.L.S.(1)	1 Filler
2		!	1	1 Body
		➡	Ref.n.1	
3	2415B121	!	1	1 O ring
4	4142X098	!	1	1 Plug
5		!	4	1 Plug
		➡	Ref.n.4	
6	2415633	!	4	1 O ring
7	2314K161			1 Screw
8	2314H008			1 Screw

- ! This is a component of an assembly
- ➡ Not serviced, order
- Replacement

Engine

Cx Xtrashift tier 3 (2008-2009) - RPC2 - 90

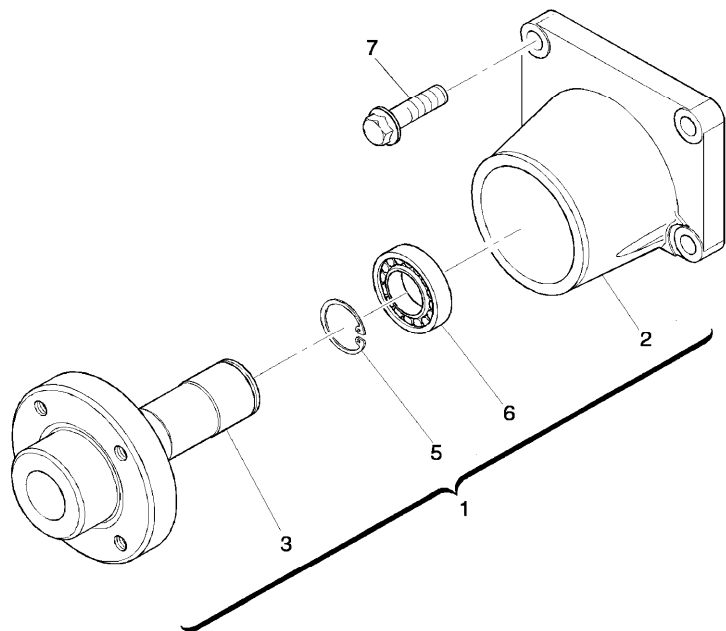
RPC2\000022257.png

A-05
15



A0515

Fan's support



- 1 4113K007
- 2 ! 1
- 3 ! 1
- 4 ! 1
- 5 2722A022 ! 1
- 6 ! 1
- 7 2314J005
- ! This is a component of an assembly
- ▣ Not serviced, order

Inglese

- 1 Stirrup
- 1 Stirrup
- 1 Hub
- 1 Spacer
- 1 Ring
- 2 Bearing
- 4 Screw

Engine

Cx Xtrashift tier 3 (2008-2009) - RPC2 - 90

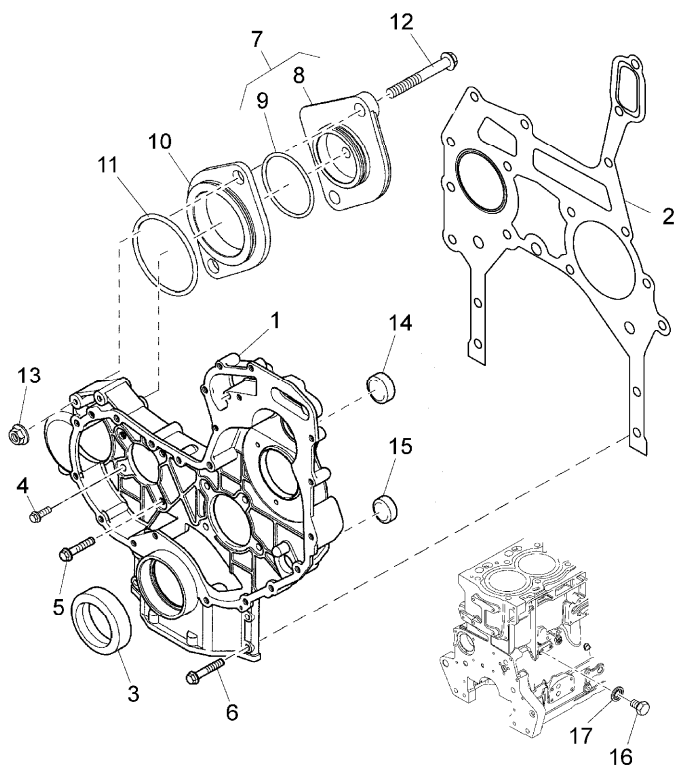
A-05
16



A0516

Gasket sets

RPC2\000015081.png



- 1 3716C581
- 2 3681P053
- 3 2418F437
- 4 2314H003
- 5 2314H006
- 6 2314H034
- 7 4148K012
- 8
- 9 2415H515
- 10 3617A021
- 11 2415H516
- 12 2314J014
- 13 2318A604
- 14 2485A124
- 15 2485A124
- 16 2314C049
- 17 2415D053

! 7
 ➡ Ref.n.7
 ! 7

Inglese

- 1 Housing
- 1 Gasket
- 1 Gasket
- 6 Screw
- 2 Screw
- 4 Screw
- 1 Plate
- 1 Plate
- 1 Ring
- 1 Disc
- 1 O ring
- 2 Screw
- 2 Nut
- 1 Plug
- 1 Plug
- 1 Screw
- 1 Washer

! This is a component of an assembly
 ➡ Not serviced, order

Engine

Cx Xtrashift tier 3 (2008-2009) - RPC2 - 90

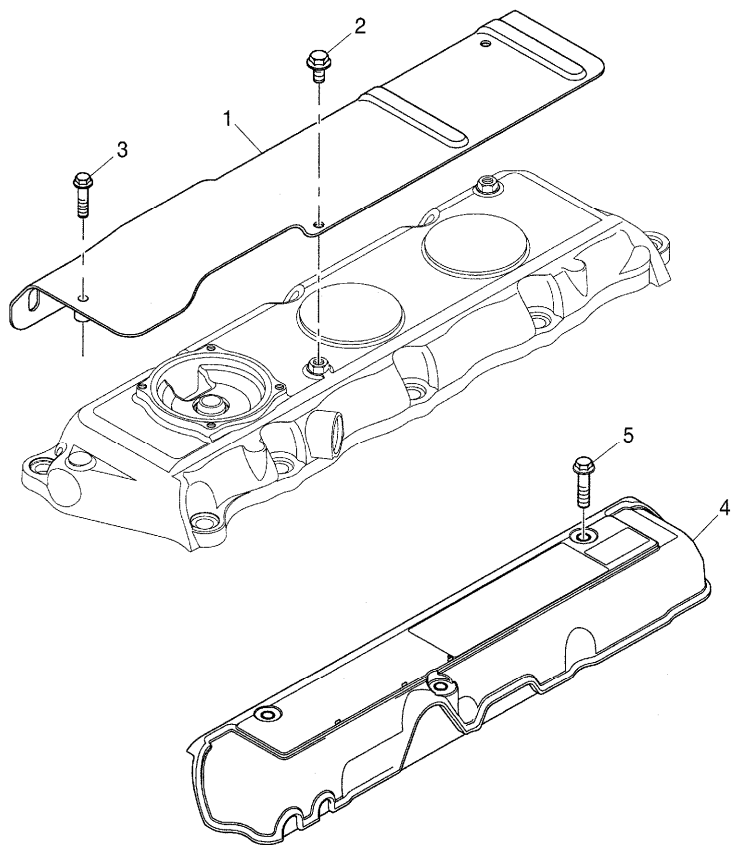
RPC2\000020537.png

A-05
17



A0517

Cylinder head cover



- 1 3812A026
- 2 2314F001
- 3 2314F006
- 4 3788N003
- 5 2314F003

Inglese

- 1 Heatshield
- 2 Screw
- 1 Screw
- 1 Cover
- 3 Screw



Suggest:

For more complete manuals. Please go to the home page.

<https://www.ebooklibonline.com>

If the above button click is invalid. Please download this document first, and then click the above link to download the complete manual.

Thank you so much for reading

Engine

Cx Xtrashift tier 3 (2008-2009) - RPC2 - 90

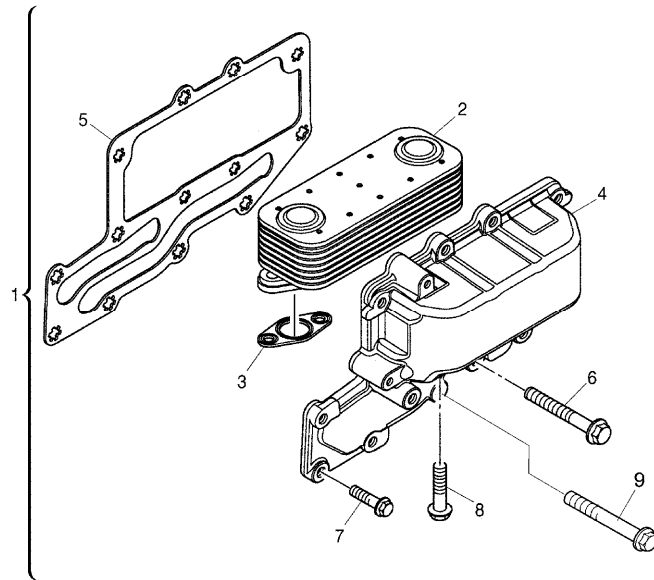
RPC2\000015031.png

A-05
18



A0518

Oil bath air filter - lautrette



1	4134W021	●	4134W025(1)
2	2486A217	!	1
3	3685A025	!	1
4		!	1
		➡	Ref.n.1
5	3685A033	!	1
6	2314K161	!	1
7	2314H004	!	1
8	2314H006	!	1
9	2311D060	!	1

Inglese

1	Radiator
1	Exchanger
2	Ring
1	Cooler
1	Gasket
3	Screw
8	Screw
4	Screw
2	Screw

- ! This is a component of an assembly
- ➡ Not serviced, order
- Replacement

Engine

Cx Xtrashift tier 3 (2008-2009) - RPC2 - 90

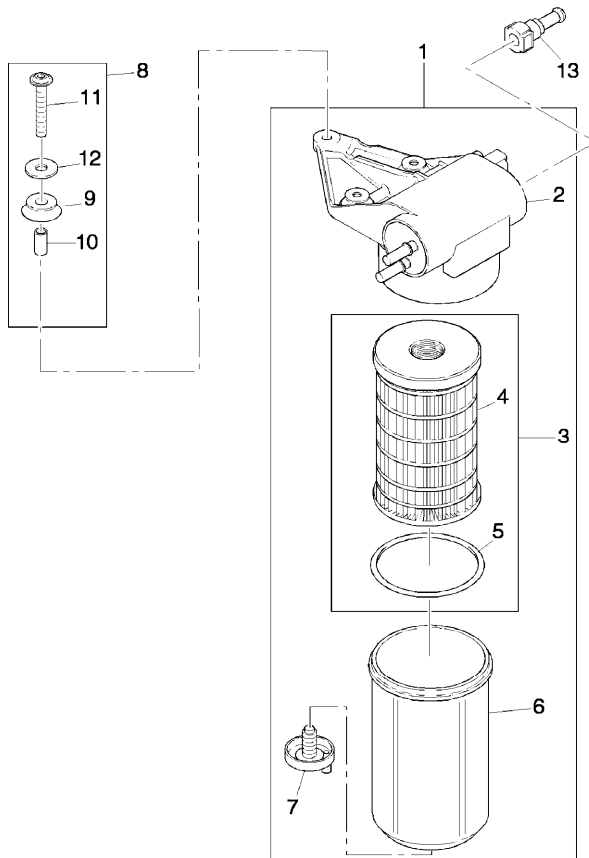
RPC2\000022264.png

**A-05
19**



A0519

Lift pump



				Inglese
1	4132A018	●	N.L.S.(1)	1 Pump
2		!	1	1 Pump
3	26560201	!	1	1 Filter
4		!	2	1 Filter
5		!	2	1
6	2656F837	!	1	1 Bowl
7	2656F836	!	1	1 Valve
8	U5MK1239			1 Support
9		!	8	6 Support
10		!	8	3 Spacer
11	2316T135	!	8	3 Screw
12	2131A507	!	8	3 Washer
13	3763A046			1 Connection
		!	This is a component of an assembly	
		➤	Not serviced, order	
		●	Replacement	

<https://www.ebooklibonline.com>

Hello dear friend!

Thank you very much for reading.

Enter the link into your browser.

The full manual is available for immediate download.

<https://www.ebooklibonline.com>