

Engine

CX synchro tier 3 (2008-2009) - RPC1 - 110

RPC1\00005987.PNG

**A-05
01**



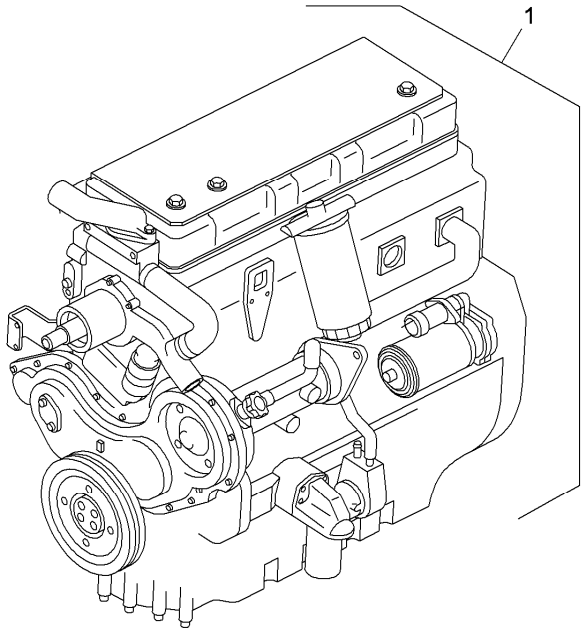
A0501

Engine assembly

1 716224A1

Inglese

Engine



Engine

CX synchro tier 3 (2008-2009) - RPC1 - 110

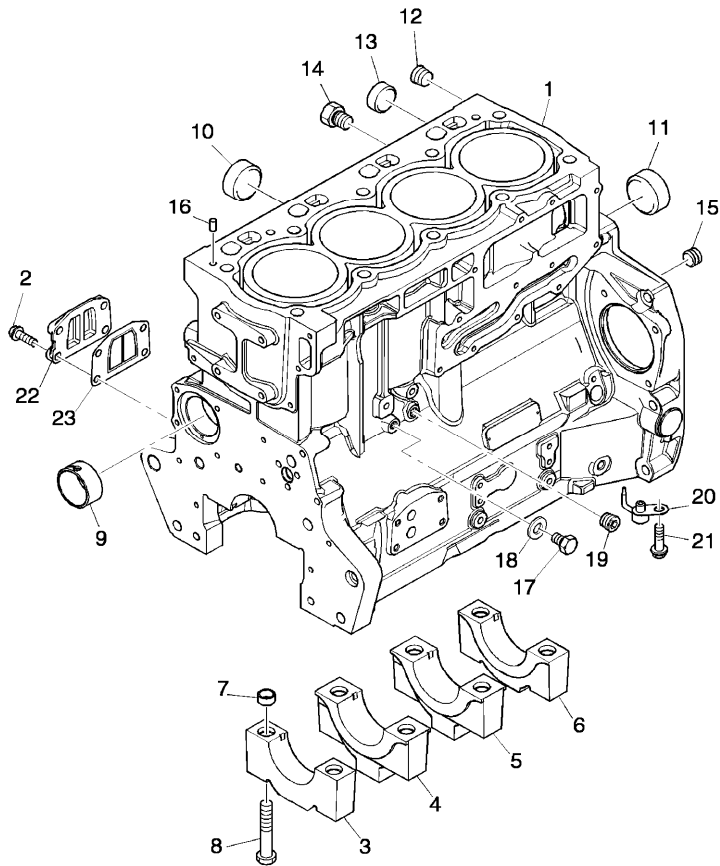
RPC1\000022252.png

**A-05
02**



A0502

Cylinders block



		Inglese
1	☞ A-05 01 1	1 Engine
2	2314H034	4 Screw
3	! 1	1 Bearing cup
	➡ Ref.n.1	
4	! 1	1 Bearing cup
	➡ Ref.n.1	
5	! 1	1 Bearing cup
	➡ Ref.n.1	
6	! 1	1 Bearing cup
	➡ Ref.n.1	
7	33142111	10 Manicott
8	32166329	10 Screw
9	3112D071	1 Bush
	● 3112D075(1)	
10	3241A011	2 Plug
11	3241A012	1 Plug
12	0650588	1 Plug
13	0650710	1 Plug
14	32141316	1 Plug
15	3212P008	1 Plug
16	3244A009	2 Dowel
17	2314C049	1 Screw
18	2415D053	1 Washer
19	0650594	1 Plug
20	2113A003	4 Atomiser
21	2314F001	4 Screw

Engine

CX synchro tier 3 (2008-2009) - RPC1 - 110

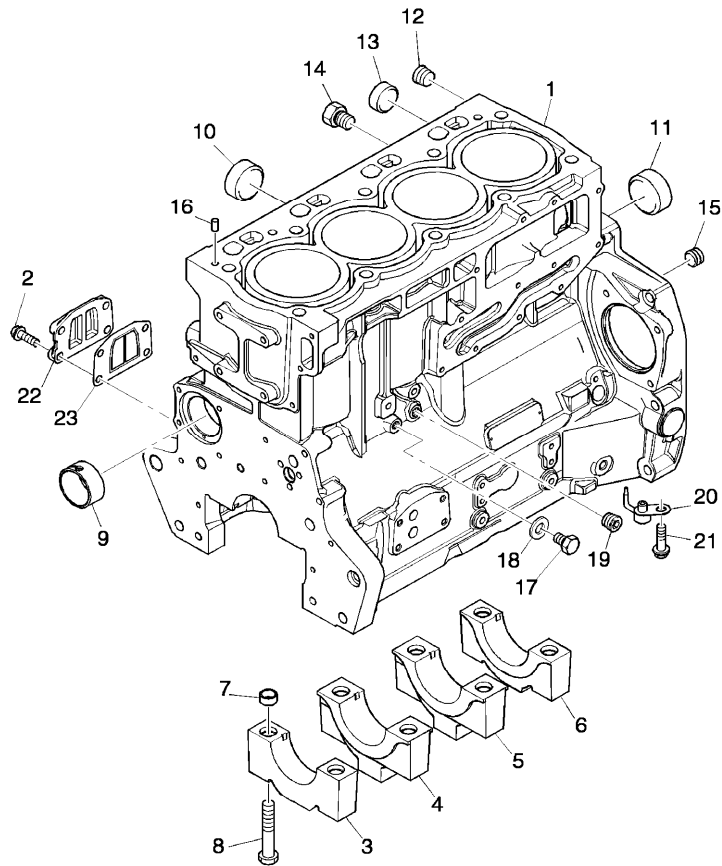
RPC1\000022252.png

A-05
02



A0502

Cylinders block



Inglese

22 3753A071

1 Coperch.

23 3688A041

1 Gasket

! This is a component of an assembly

👁 See page - reference number

📄 Not serviced, order

● Replacement

<https://www.ebooklibonline.com>

Hello dear friend!

Thank you very much for reading.

Enter the link into your browser.

The full manual is available for immediate download.

<https://www.ebooklibonline.com>

Engine

CX synchro tier 3 (2008-2009) - RPC1 - 110

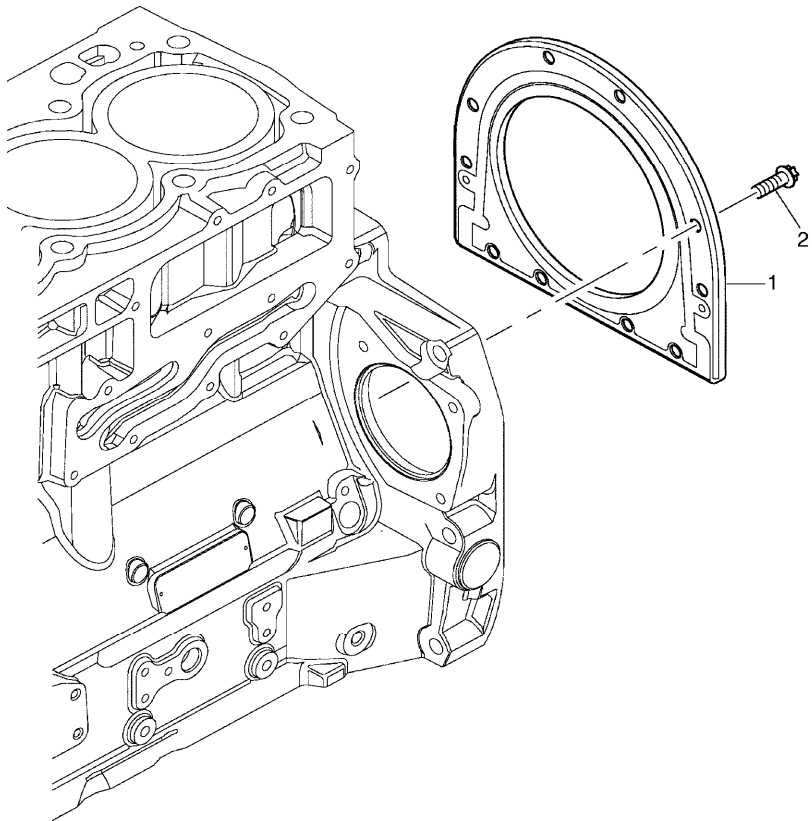
RPC1\000015074.png

A-05
03



A0503

End cover



1 2418F704

2 3211C002

Inglese

1 Housing

10 Screw

Engine

CX synchro tier 3 (2008-2009) - RPC1 - 110

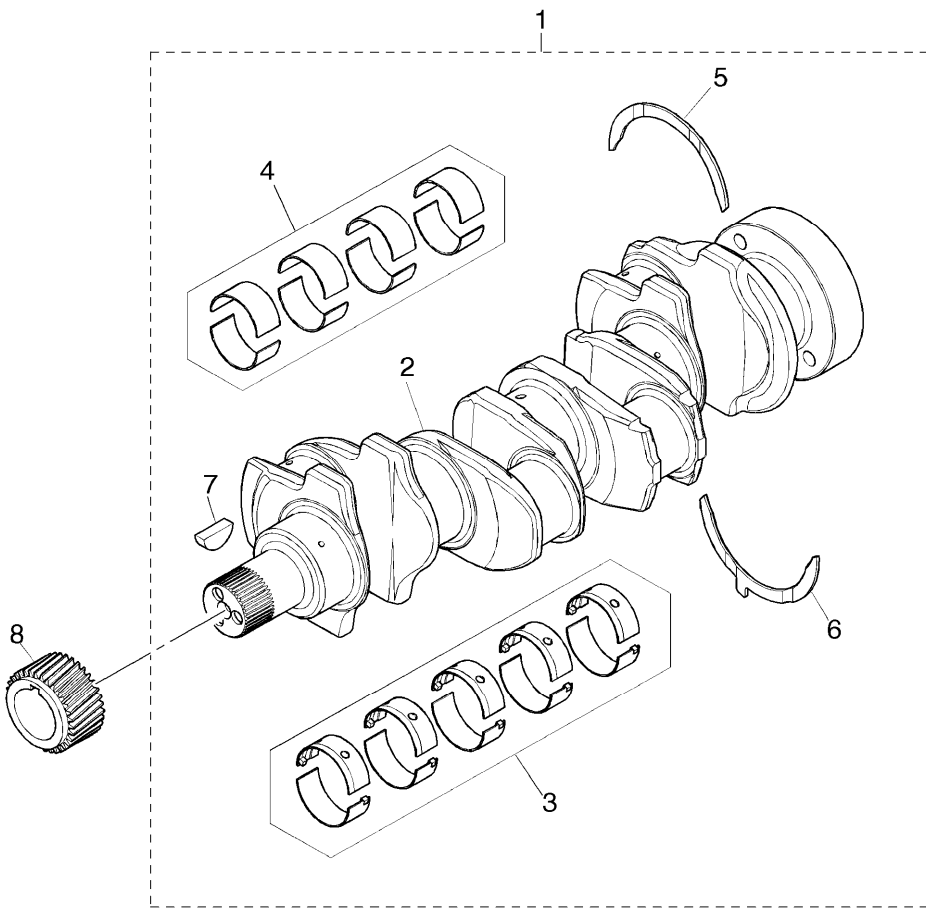
RPC1\000022253.png

A-05
04



A0504

Crankshaft



		Inglese	
1	ZZ90222	➔ U491476 t	1 Kit
		● ZZ90239(1)	
1	ZZ90237	➔ U491477 t	1 Shaft
2		! 1	1 Crankshaft
		➔ Ref.n.1	
3	U5MB0018	! 1	1 Kit
		● U5MB0033(1)	
3	U5MB0018A	! 1	1 Kit
		⚡ 0.010 mm	
		● U5MB0033A(1)	
3	U5MB0018B	! 1	1 Kit
		⚡ 0.020 mm	
		● U5MB0033B(1)	
3	U5MB0018C	! 1	1 Kit
		⚡ 0.030 mm	
		● N.L.A.(1)	
4	T400002	! 1	1 Kit
		➔ U491477 t	
		● T410927(1)	
4	U5ME0026	! 1	1 Kit
		➔ U491476 t	
		● U5ME0034(1)	
4	U5ME0026A	! 1	1 Kit
		⚡ 0.25 mm	
		➔ U491476 t	
		● U5ME0034A(1)	

Engine

CX synchro tier 3 (2008-2009) - RPC1 - 110

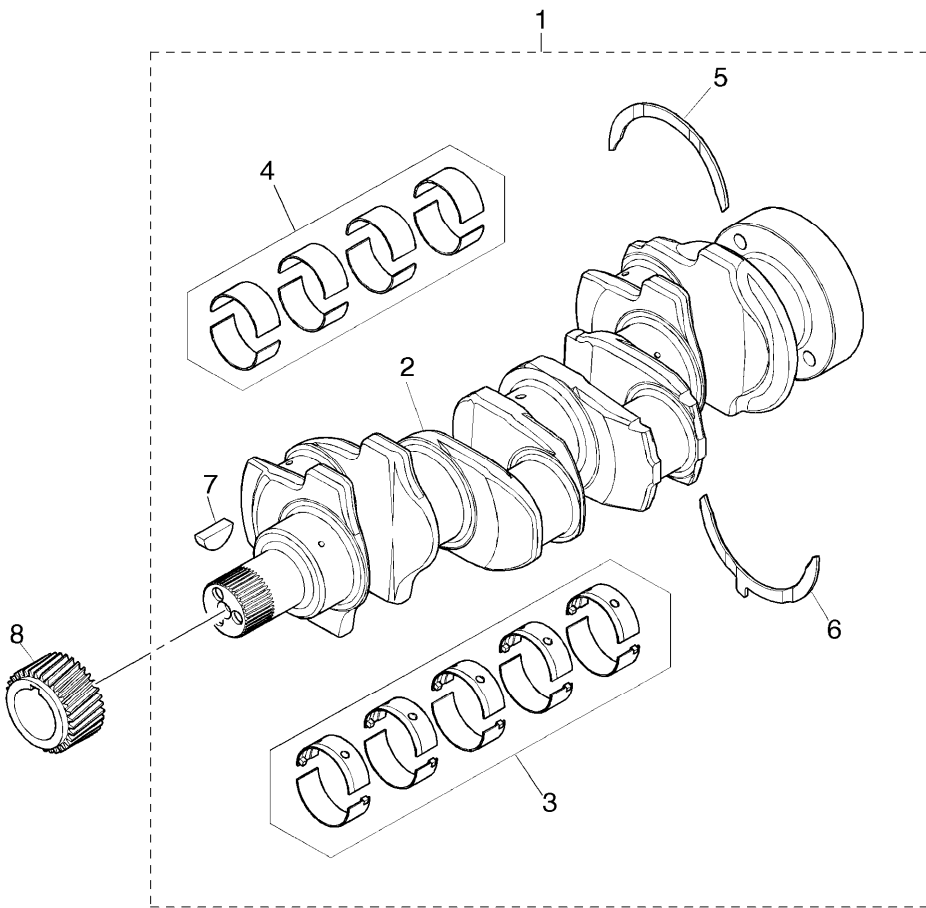
RPC1\000022253.png

A-05
04



A0504

Crankshaft



Inglese

4	U5ME0026B	!	1	1 Kit
		⚡	0.50 mm	
		➔	U491476 t	
		●	U5ME0034B(1)	
4	U5ME0026C	!	1	1 Kit
		⚡	0.75 mm	
		➔	U491476 t	
		●	U5ME0034C(1)	
5	31137312	!	1	2 Ring
		⚡	0.007 mm	
5	31137551	!	1	2 Washer
6	31137322	!	1	2 Ring
		⚡	0.007 mm	
6	31137561	!	1	2 Washer
7	0500012	!	1	1 Key
8	3117C221	!	1	1 Gear

- ! This is a component of an assembly
- ➔ From serial or engine number
- ➕ Up to serial or engine number
- ⚡ Not serviced, order
- ⚡ Shim
- Replacement

Engine

CX synchro tier 3 (2008-2009) - RPC1 - 110

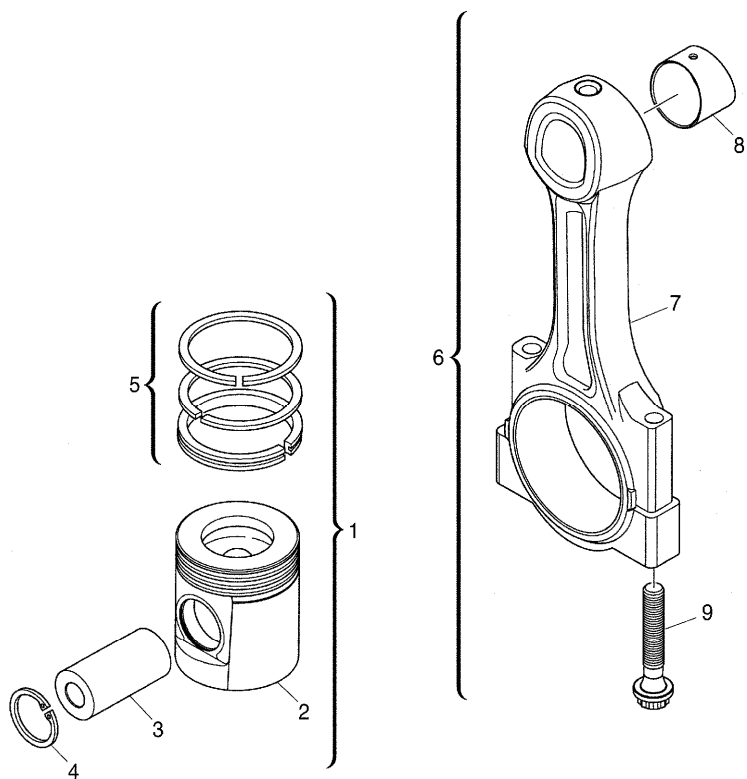
RPC1\000020562.png

A-05
05



A0505

Pistons and connecting rods



			Inglese
1	U5PR0062	Std	4 Kit
1	U5PR0062B	+0,5 mm	4 Kit
2		!	1 Piston
		➡	Ref.n.1
3		!	1 Piston
		➡	Ref.n.1
4	2721332	!	2 Ring
5	UPRK0005	!	1 Kit
6	4115C311	➡	4 Kit
		A	
6	4115C312	➡	4 Kit
		B	
6	4115C313	➡	4 Kit
		C	
6	4115C314	➡	4 Kit
		D	
6	4115C315	➡	4 Kit
		E	
6	4115C316	➡	4 Kit
		F	
6	4115C361	➡	4 Conrod
		A	
6	4115C362	➡	4 Conrod
		B	
6	4115C363	➡	4 Conrod
		C	

Engine

CX synchro tier 3 (2008-2009) - RPC1 - 110

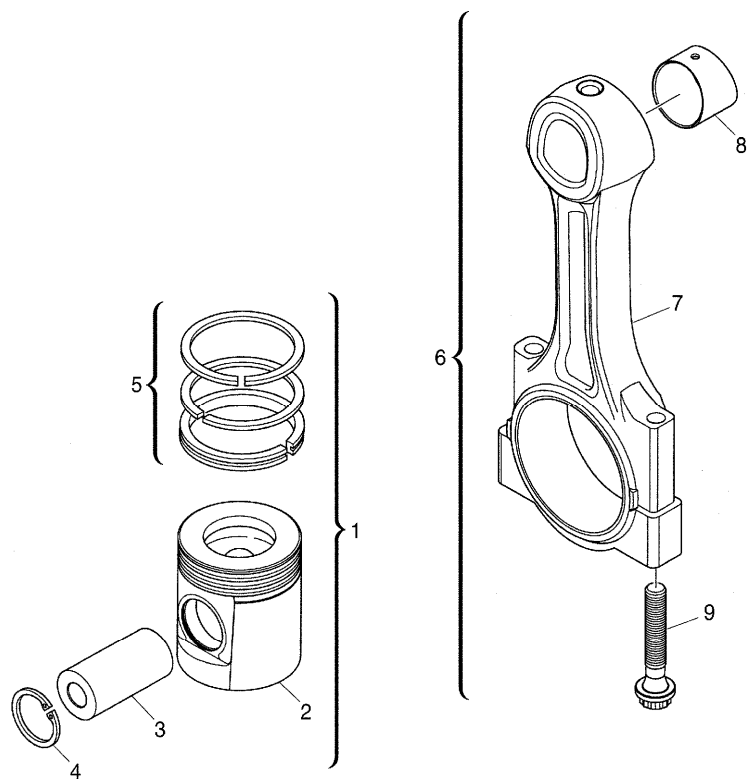
RPC1\000020562.png

A-05
05



A0505

Pistons and connecting rods



		Inglese	
6	4115C364	➡ U491478 t D	4 Conrod
6	4115C365	➡ U491478 t E	4 Conrod
6	4115C366	➡ U491478 t F	4 Conrod
7		! 6 ➡ Ref.n.6	1 Conrod
8	3112A005	! 6	1 Bush
9	3212V003	! 6	2 Screw
!		This is a component of an assembly	
➡		From serial or engine number	
➡		Up to serial or engine number	
➡		Not serviced, order	
A	Red		
B	Orange		
C	White		
D	Green		
E	Purple		
F	Blue		

Engine

CX synchro tier 3 (2008-2009) - RPC1 - 110

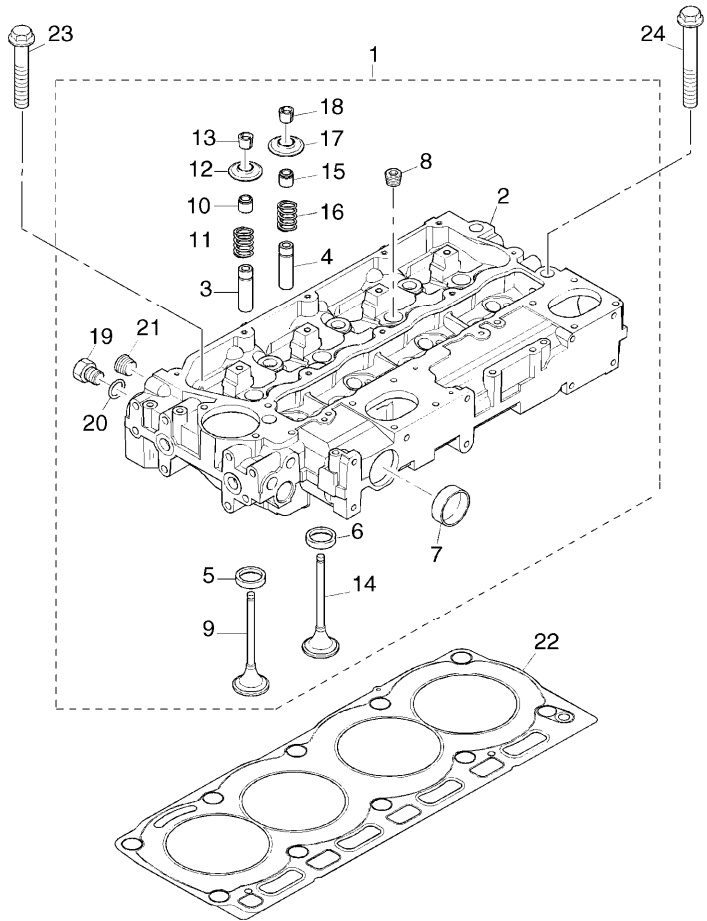
RPC1\000022254.png

**A-05
06**



A0506

Cylinder head



1	ZZ80279		
2		!	1
		➡	Ref.n.1
3	3313A012	!	1
4	3313A012	!	1
5	3314A221	!	1
6	3314A231	!	1
7	32416117	!	1
8	0650588	!	1
9	3142H101	!	1
10	2418M519	!	1
		A	
11	3174A031	!	1
		●	T417479(4)
12	3342A021	!	1
13	2714A002	!	1
14	3142A171	!	1
15	2418M517	!	1
		B	
16	3174A031	!	1
		●	T417479(4)
17	3342A021	!	1
18	2714A002	!	1
19	3278A006	!	1
20	2415H003	!	1

Inglese

1	Cylinder head
1	Cylinder head
4	Insert
4	Insert
4	Insert
4	Insert
2	Plug
4	Plug
4	Valve
4	Ring
4	Spring
4	Coperch.
8	Collar
4	Valve
4	Ring
4	Spring
4	Coperch.
8	Collar
1	Plug
1	Ring

Engine

A-05
06

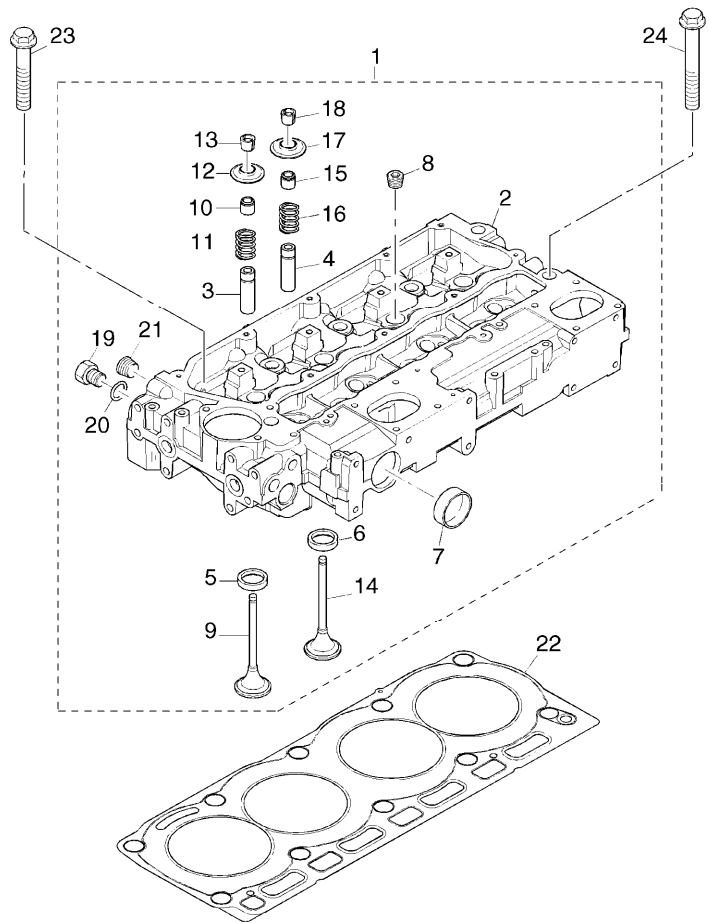
Cylinder head

CX synchro tier 3 (2008-2009) - RPC1 - 110



A0506

RPC1\000022254.png



21 2431154 ! 1

22 3681E051

23 3218A011

24 3218A012

! This is a component of an assembly

🔧 Not serviced, order

🔴 Replacement

A Green

B Brown

Inglese

2 Plug

1 Gasket

7 Screw

3 Screw

Engine

CX synchro tier 3 (2008-2009) - RPC1 - 110

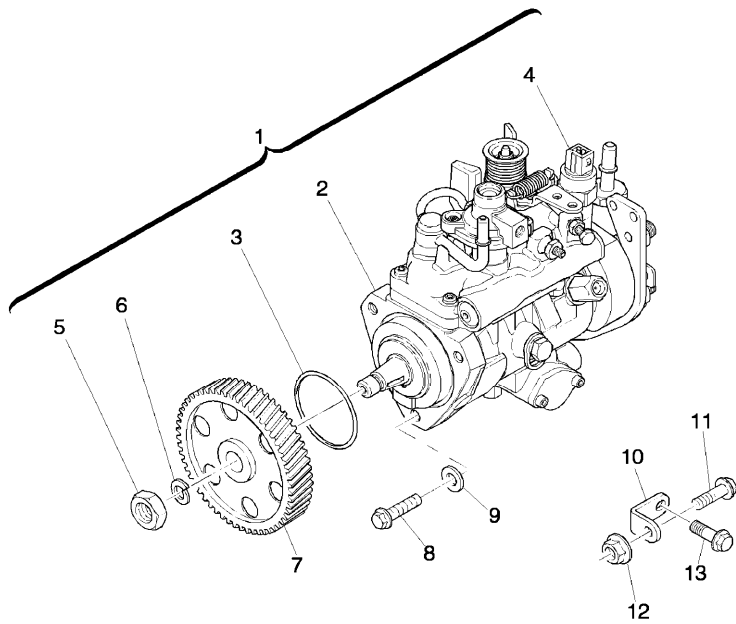
RPC1\000022255.png

A-05
07



A0507

Injection pump assy



- | | | | | |
|----|------------------------------------|---|---|--|
| 1 | 2644C318/22 | | | |
| 2 | | ! | 1 | |
| 3 | 26420318 | ! | 1 | |
| 4 | 26420469 | ! | 1 | |
| 5 | 2318A108 | ! | 1 | |
| 6 | K134AF01 | ! | 1 | |
| 7 | 3117L261 | | | |
| 8 | 2314H004 | | | |
| 9 | 2411D008 | | | |
| 10 | 3641A007 | | | |
| 11 | 2314H003 | | | |
| 12 | 2318A603 | | | |
| 13 | 2314J002 | | | |
| ! | This is a component of an assembly | | | |
| ▣ | Not serviced, order | | | |

Inglese

- 1 Pump
- 1 Pump
- 1 Ring
- 1 Solenoid
- 1 Nut
- 1 Washer
- 1 Gear
- 3 Screw
- 3 Washer
- 1 Stirrup
- 1 Screw
- 1 Nut
- 1 Screw

Engine

CX synchro tier 3 (2008-2009) - RPC1 - 110

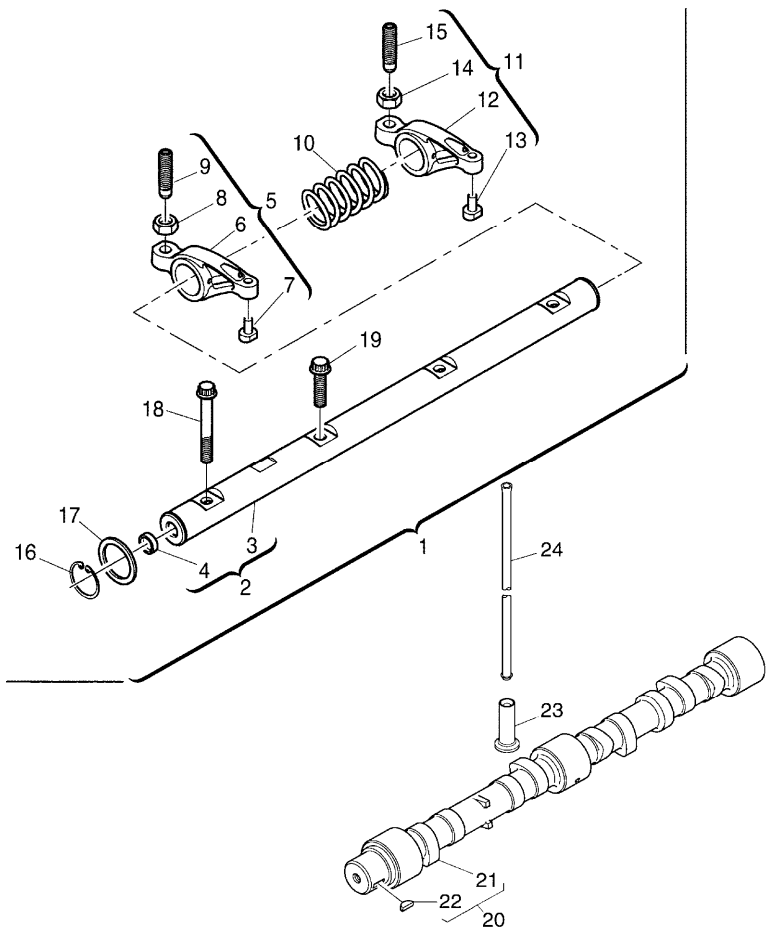
RPC1\000015075.png

A-05
08



A0508

Rocker shaft



			Inglese
1	4115R613		1 Axle
2	4115R703	! 1	1 Shaft
3		! 2	1 Axe
4	2485A104	! 2	2 Plug
5	4115R319	! 1	4 Lever
6		! 5	1 Rocker
7		! 5	1 Pad
8	3331A006	! 5	1 Nut
9	3211C004	! 5	1 Screw
10	3174A015	! 1	3 Spring
11	4115R318	! 1	4 Lever
12		! 11	1 Rocker
13		! 11	1 Pad
14	3331A006	! 11	1 Nut
15	3211C004	! 11	1 Screw
16	2722A022	! 1	2 Ring
17	2134A502	! 1	2 Washer
18	2316A901	! 1	1 Screw
19	2316A902	! 1	3 Screw
20	4112K027		1 Shaft

Engine

CX synchro tier 3 (2008-2009) - RPC1 - 110

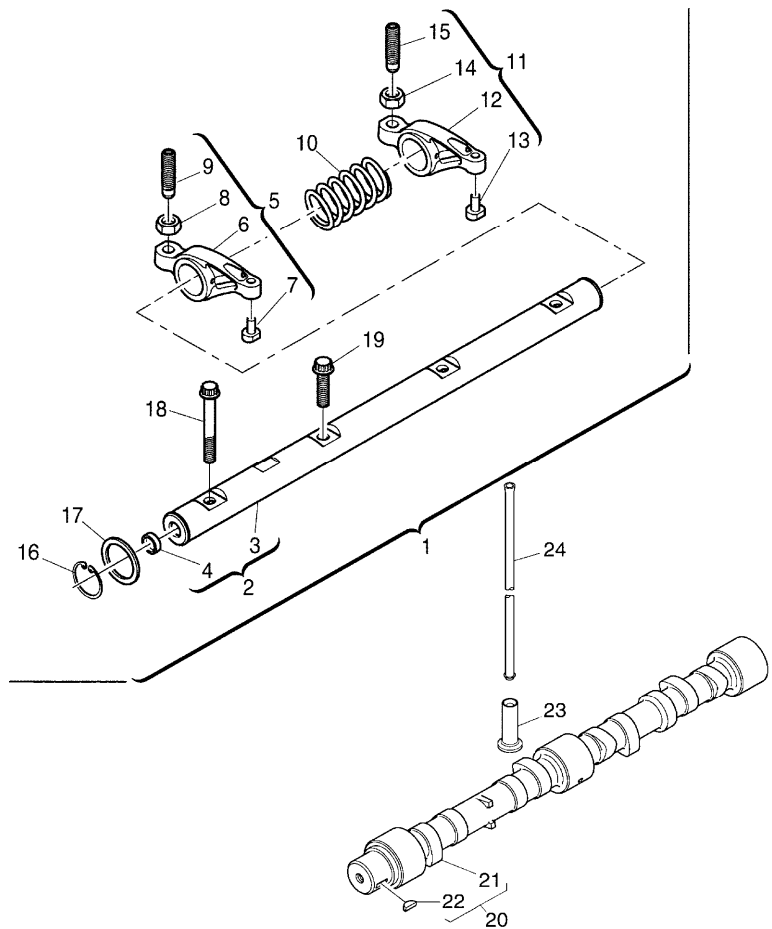
RPC1\000015075.png

A-05
08



A0508

Rocker shaft



- 21 ! 20
- ! Ref.n.20
- 22 0500012 ! 20
- 23 3142U061
- 24 3142V011
- ! This is a component of an assembly
- ▣ Not serviced, order

Inglese

- 1 Shaft
- 1 Key
- 8 Tappet
- 8 Rod

Engine

CX synchro tier 3 (2008-2009) - RPC1 - 110

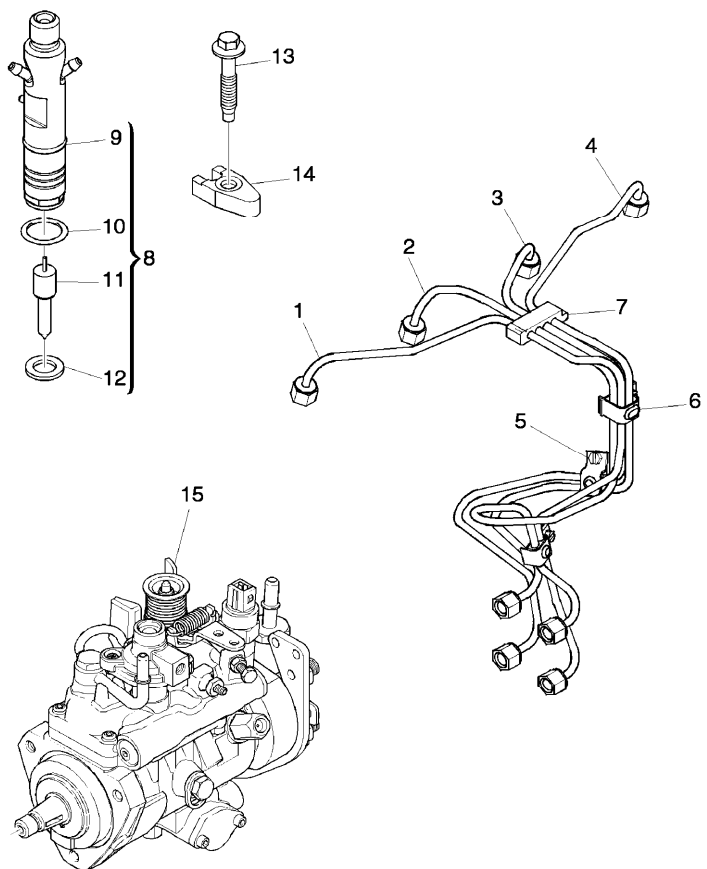
RPC1\000022256.png

**A-05
09**



A0509

Fuel injection equipment (diesel)



		Inglese
1	3525A101	1 Pipe
2	3525A102	1 Pipe
3	3525A103	1 Pipe
4	3525A104	1 Pipe
5	2481Y011	2 Clip
6	2481Y012	1 Clip
7	2646E019	1 Clip
8	2645K025	4 Nozzle
9	! 8	1 Nozzle
	➡ Ref.n.8	
10	26460064 ! 8	1 Ring
11	! 8	1 Nozzle
	➡ Ref.n.8	
12	L311FF02 ! 8	1 Washer
13	2314W009 ! 8	4 Screw
14	3751A241	4 Clamp
15	👁 A-05 07 1	1 Injection pump

! This is a component of an assembly

👁 See page - reference number

➡ Not serviced, order

Engine

CX synchro tier 3 (2008-2009) - RPC1 - 110

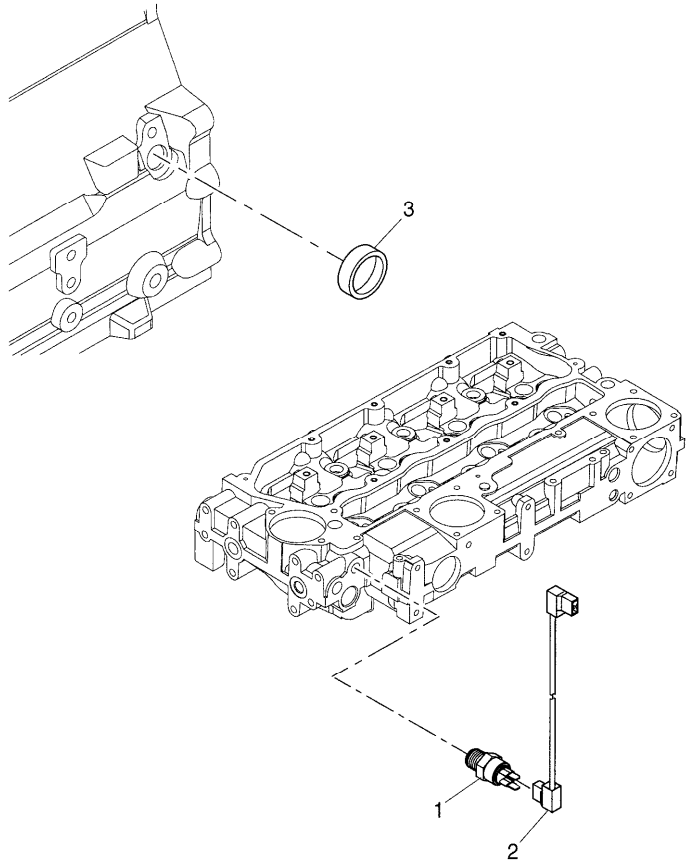
RPC1\000020530.png

A-05
10



A0510

Sensor pickup



- 1 2848A123
- 2 3161C017
- 3 2485A109

Inglese

- 1 Sensor
- 1 Cable
- 1 Plug

Engine

CX synchro tier 3 (2008-2009) - RPC1 - 110

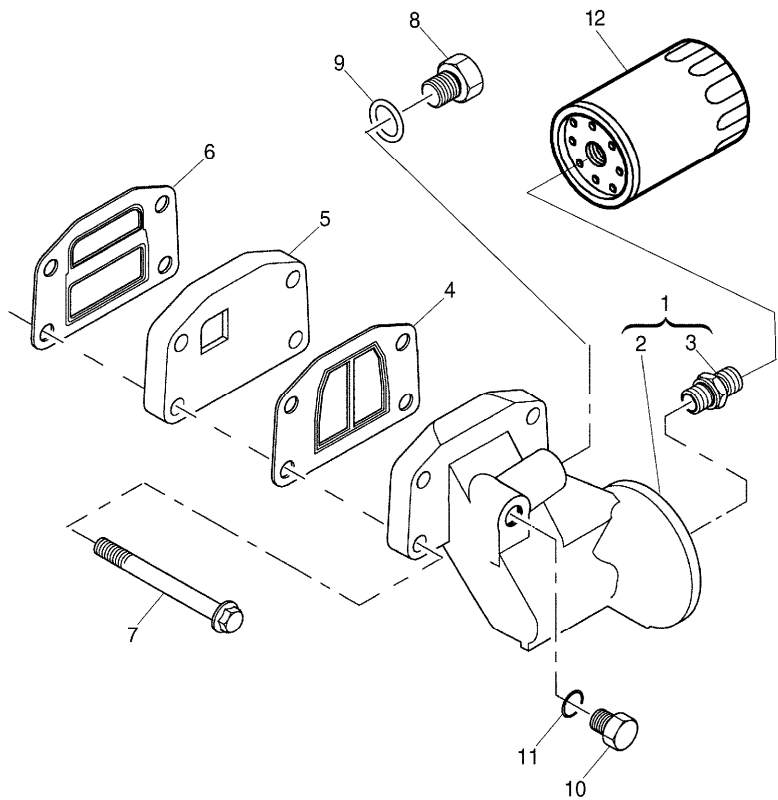
RPC1\000020539.png

A-05
11



A0511

Lube oil filters



			Inglese
1	4134E057	● 3773A071(1)	1 Head
2		! 1	1 Head
3	33554128	➡ Ref.n.1	1 Union
4	3688A041	! 1	1 Gasket
5	3773A081		1 Adaptor
6	3688A039		1 Gasket
7	2314H038		4 Screw
8	3278A004		1 Plug
9	2415H002		1 Ring
10	3278A007		1 Plug
11	2415H009		1 O ring
12	701899A1		1 Oil filter

- ! This is a component of an assembly
- ➡ Not serviced, order
- Replacement

Engine

CX synchro tier 3 (2008-2009) - RPC1 - 110

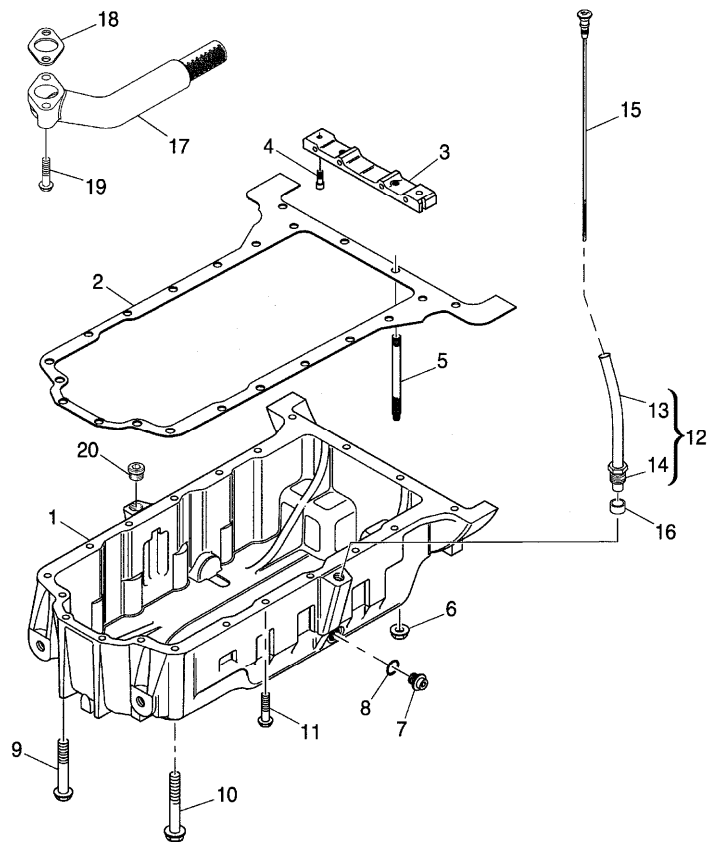
RPC1\000014129.png

A-05
12



A0512

Oil sump



- 1 3717E261
- 2 3681K036
- 3 3627P041
- 4 2311D039
- 5 3211P013
- 6 2318A603
- 7 32186405
- 8 2415715
- 9 2314H023
- 10 2314H022
- 11 2314H015
- 12 3577A125
- 13
- 14 3353D005
- 15 3178C088
- 16 33812116
- 17 3765A111
- 18 36832137
- 19 2314H006
- 20 2431A016

● 2314H052(1)

➡ Ref.n.12

! 12

- ! This is a component of an assembly
- ➡ Not serviced, order
- Replacement

Inglese

- 1 Sump
- 1 Gasket
- 1 Crosspiece
- 2 Screw
- 2 Stud
- 2 Nut
- 2 Plug
- 2 Ring
- 5 Screw
- 1 Screw
- 12 Screw
- 1 Pipe
- 1 Pipe
- 1 Nut
- 1 Rod
- 1 Olive
- 1 Pipe
- 1 Gasket
- 2 Screw
- 1 Plug

Engine

CX synchro tier 3 (2008-2009) - RPC1 - 110

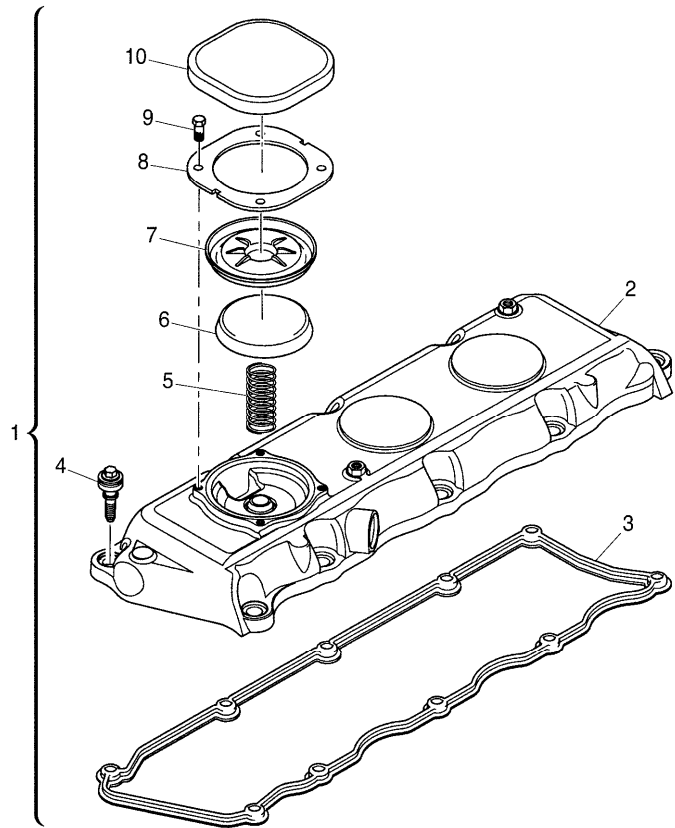
RPC1\000020533.png

A-05
13



A0513

Cylinder head cover



		Inglese	
1	4142X325	● T417478(1)	1 Coperch.
2		! 1	1 Cover
3	3681A055	➡ Ref.n.1	1 Gasket
4		! 1	10 Screw
5	3174A017	➡ Ref.n.1	1 Spring
6	3788A002	! 1	1 Cap
7	3789A001	! 1	1 Diaphragm
8	3615A009	! 1	1 Plate
9	2151A001	! 1	4 Screw
10	3788A003	! 1	1 Cap
!		This is a component of an assembly	
➡		Not serviced, order	
●		Replacement	

Engine

CX synchro tier 3 (2008-2009) - RPC1 - 110

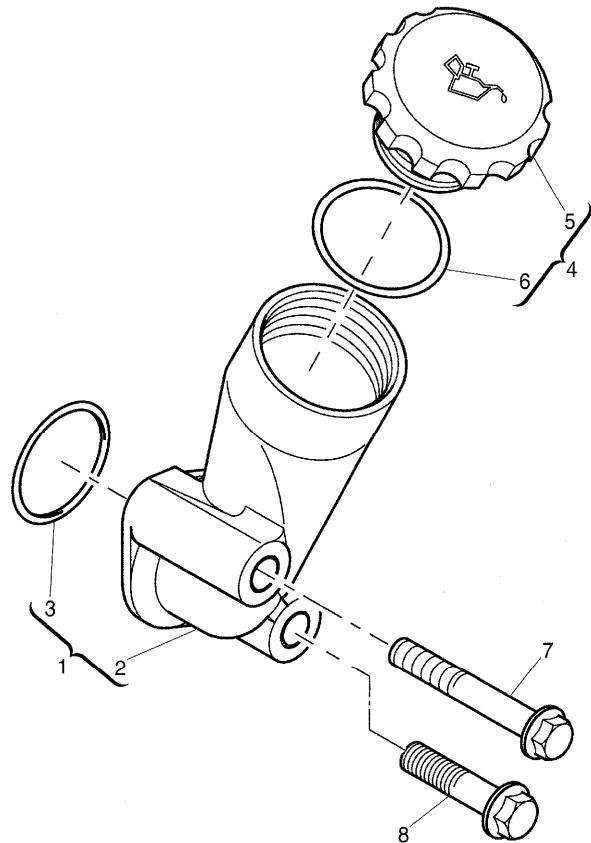
RPC1\000020589.png

A-05
14



A0514

Filler



			Inglese
1	4134C019	● N.L.S.(1)	1 Filler
2		! 1	1 Body
		➡ Ref.n.1	
3	2415B121	! 1	1 O ring
4	4142X098	! 1	1 Plug
5		! 4	1 Plug
		➡ Ref.n.4	
6	2415633	! 4	1 O ring
7	2314K161		1 Screw
8	2314H008		1 Screw

! This is a component of an assembly

➡ Not serviced, order

● Replacement

Engine

CX synchro tier 3 (2008-2009) - RPC1 - 110

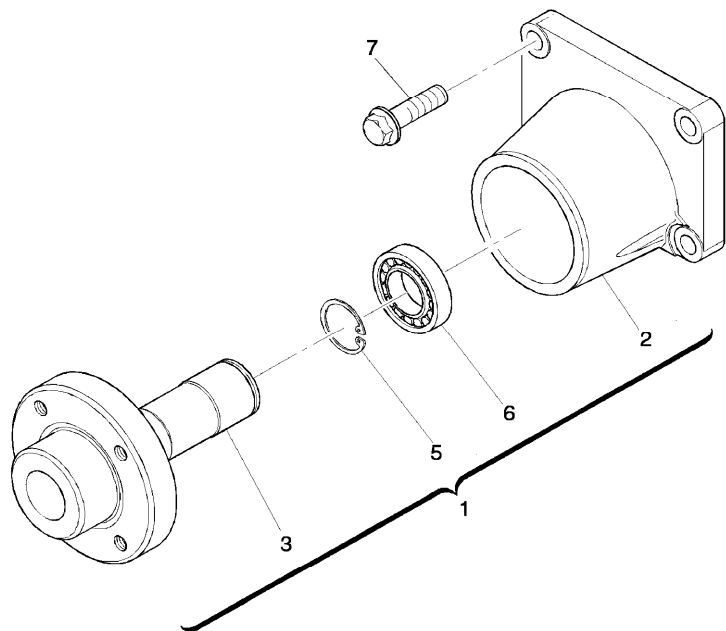
RPC1\000022257.png

A-05
15



A0515

Fan's support



- 1 4113K007
 - 2 ! 1
 - 3 ! 1
 - 4 ! 1
 - 5 2722A022 ! 1
 - 6 ! 1
 - 7 2314J005 ! 1
- ! This is a component of an assembly
➤ Not serviced, order

Inglese

- 1 Stirrup
- 1 Stirrup
- 1 Hub
- 1 Spacer
- 1 Ring
- 2 Bearing
- 4 Screw

Engine

CX synchro tier 3 (2008-2009) - RPC1 - 110

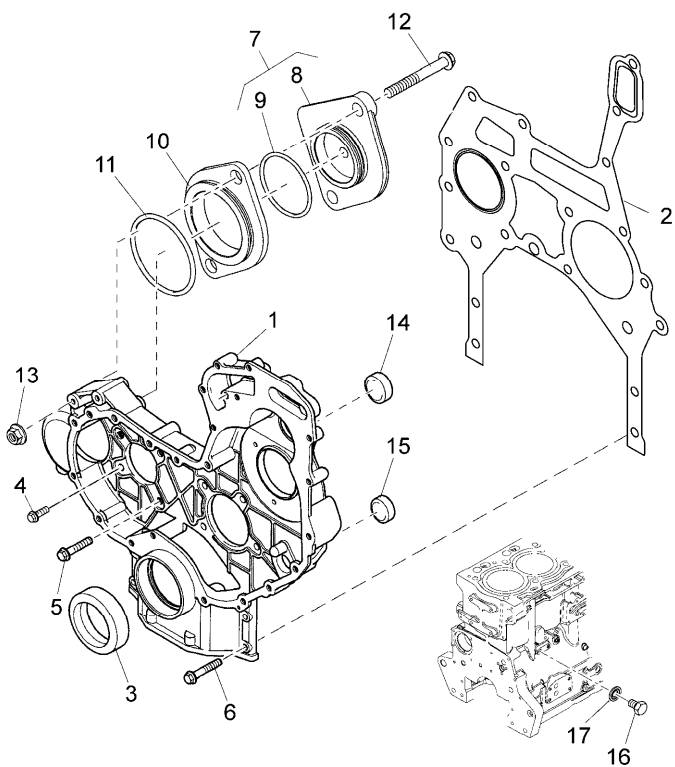
RPC1\000015081.png

**A-05
16**



A0516

Gasket sets



		Inglese
1	3716C581	1 Housing
2	3681P053	1 Gasket
3	2418F437	1 Gasket
4	2314H003	6 Screw
5	2314H006	2 Screw
6	2314H034	4 Screw
7	4148K012	1 Plate
8	!	7
	➡	Ref.n.7
9	2415H515	!
		7
10	3617A021	1 Ring
11	2415H516	1 Disc
12	2314J014	1 O ring
13	2318A604	2 Screw
14	2485A124	2 Nut
15	2485A124	1 Plug
16	2314C049	1 Plug
17	2415D053	1 Screw
	!	1 Washer

! This is a component of an assembly

➡ Not serviced, order

Engine

CX synchro tier 3 (2008-2009) - RPC1 - 110

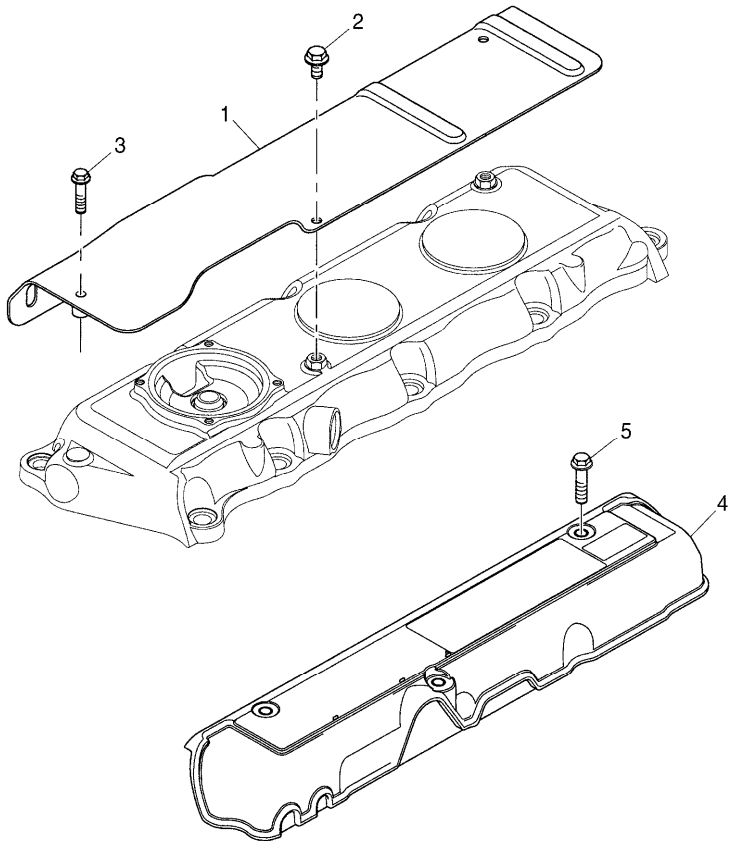
RPC1\000020537.png

A-05
17



A0517

Cylinder head cover



- 1 3812A026
- 2 2314F001
- 3 2314F006
- 4 3788N003
- 5 2314F003

Inglese

- 1 Heatshield
- 2 Screw
- 1 Screw
- 1 Cover
- 3 Screw

Engine

CX synchro tier 3 (2008-2009) - RPC1 - 110

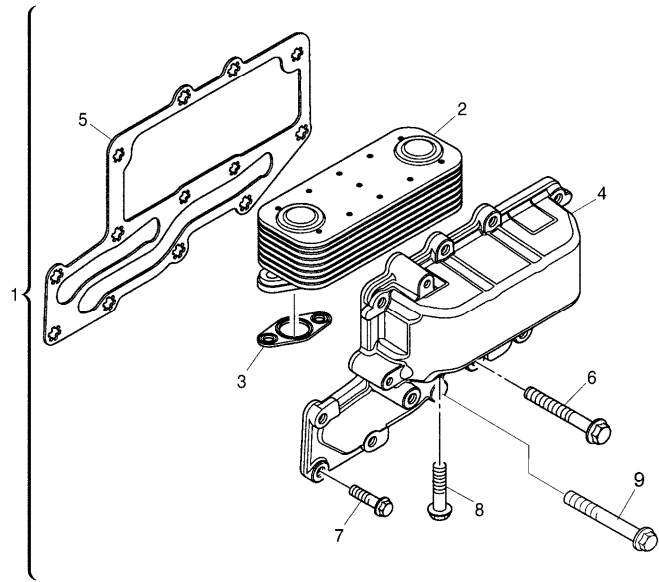
RPC1\000015031.png

A-05
18



A0518

Oil bath air filter - lautrette



1	4134W021	●	4134W025(1)
2	2486A217	!	1
3	3685A025	!	1
4		!	1
		➡	Ref.n.1
5	3685A033	!	1
6	2314K161	!	1
7	2314H004	!	1
8	2314H006	!	1
9	2311D060	!	1

Inglese

1	Radiator
1	Exchanger
2	Ring
1	Cooler
1	Gasket
3	Screw
8	Screw
4	Screw
2	Screw

- ! This is a component of an assembly
- ➡ Not serviced, order
- Replacement

Engine

CX synchro tier 3 (2008-2009) - RPC1 - 110

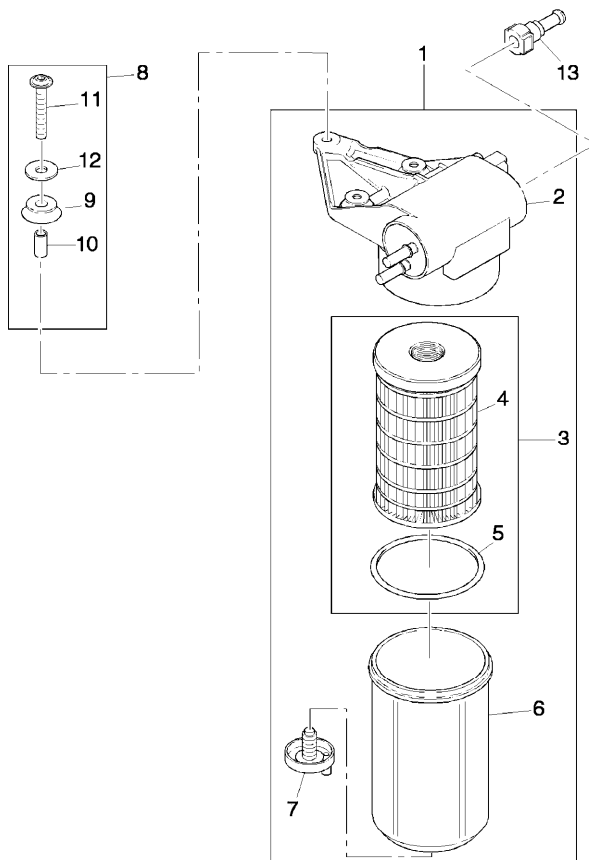
RPC1\000022264.png

**A-05
19**



A0519

Lift pump



				Inglese
1	4132A018	●	N.L.S.(1)	1 Pump
2		!	1	1 Pump
3	26560201	➡	Ref.n.1	1 Filter
4		!	2	1 Filter
5		➡	Ref.n.2	1
6	2656F837	!	1	1 Bowl
7	2656F836	!	1	1 Valve
8	U5MK1239			1 Support
9		!	8	6 Support
10		➡	Ref.n.8	3 Spacer
11	2316T135	!	8	3 Screw
12	2131A507	!	8	3 Washer
13	3763A046			1 Connection
		!	This is a component of an assembly	
		➡	Not serviced, order	
		●	Replacement	



Suggest:

For more complete manuals. Please go to the home page.

<https://www.ebooklibonline.com>

If the above button click is invalid. Please download this document first, and then click the above link to download the complete manual.

Thank you so much for reading

Engine

CX synchro tier 3 (2008-2009) - RPC1 - 110

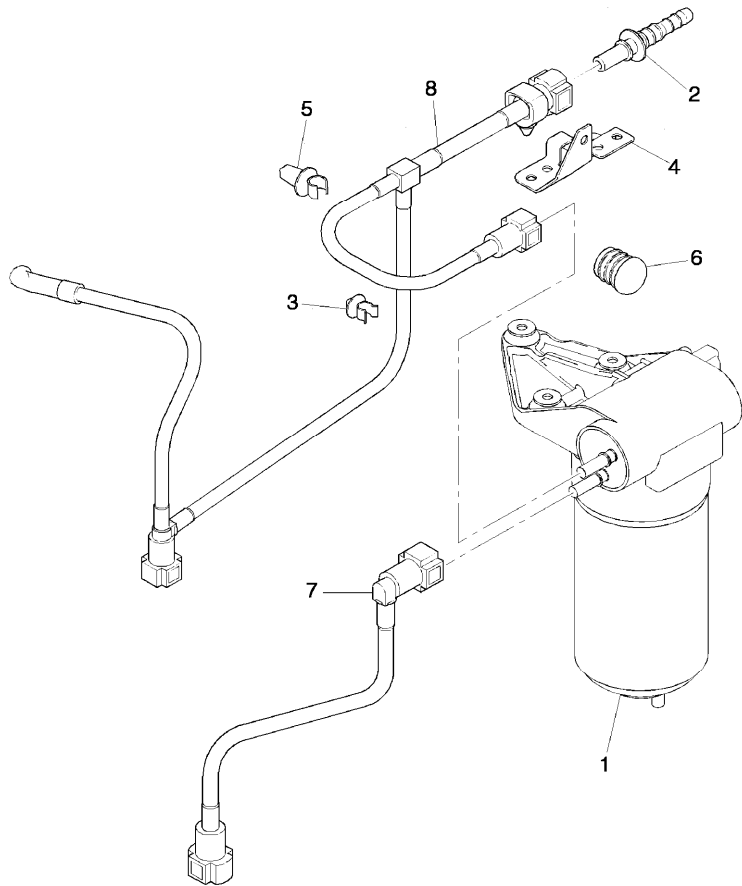
RPC1\000022265.png

A-05
20



A0520

Lift pump



- 1 A-05 19 1
 - 2 3763A045
 - 3 2481D456
 - 4 3661A091
 - 5 2481D559
 - 6 2487A401
 - 7 2646F001
 - 8 2646F009
- See page - reference number

Inglese

- 1 Pump
- 1 Connection
- 1 Clip
- 1 Stirrup
- 1 Clip
- 1 Plug
- 1 Pipe
- 1 Pipe

Engine

CX synchro tier 3 (2008-2009) - RPC1 - 110

RPC1\000014134.png

A-05
21



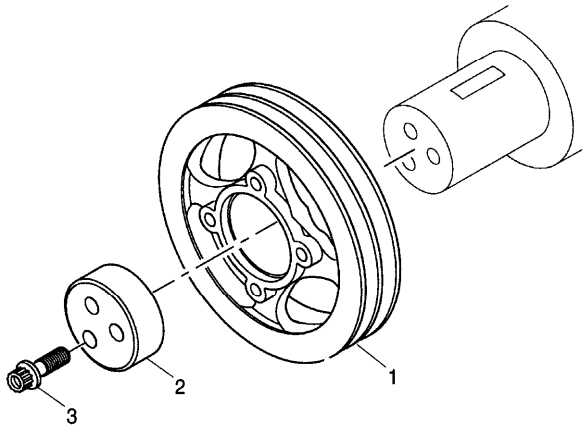
A0521

Front end drive input - auxiliary drive

- 1 3115T051
- 2 3241N001
- 3 32186137

Inglese

- 1 Pulley
- 1 Block
- 3 Screw



<https://www.ebooklibonline.com>

Hello dear friend!

Thank you very much for reading.

Enter the link into your browser.

The full manual is available for immediate download.

<https://www.ebooklibonline.com>