

Engine

CX synchro tier 3 (2008-2009) - RPC1 - 105

RPC1\00005987.PNG

A-05  
01

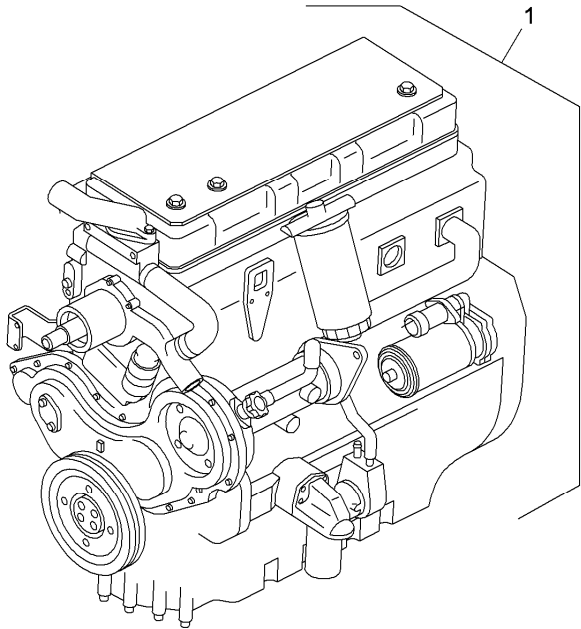


A0501

Engine assembly

1 716220A1

Inglese  
1 Engine



Engine

CX synchro tier 3 (2008-2009) - RPC1 - 105

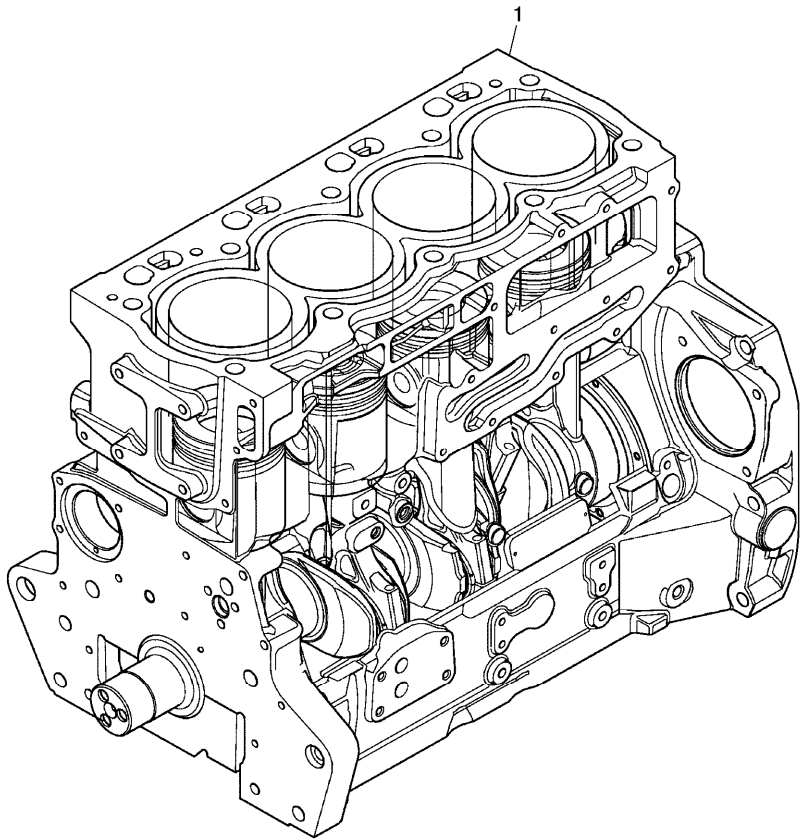
RPC1\000015070.png

A-05  
015



A05015

Short engine



Inglese

- |   |         |  |                                  |   |              |
|---|---------|--|----------------------------------|---|--------------|
| 1 | NM40008 |  | U056074 t                        | 1 | Short engine |
|   |         |  | 3115A141(1),<br>32186146(3), NM4 |   |              |
| 1 | NM40019 |  | U056075 t                        | 1 | Short engine |

- From serial or engine number
- Up to serial or engine number
- Replacement

Engine

CX synchro tier 3 (2008-2009) - RPC1 - 105

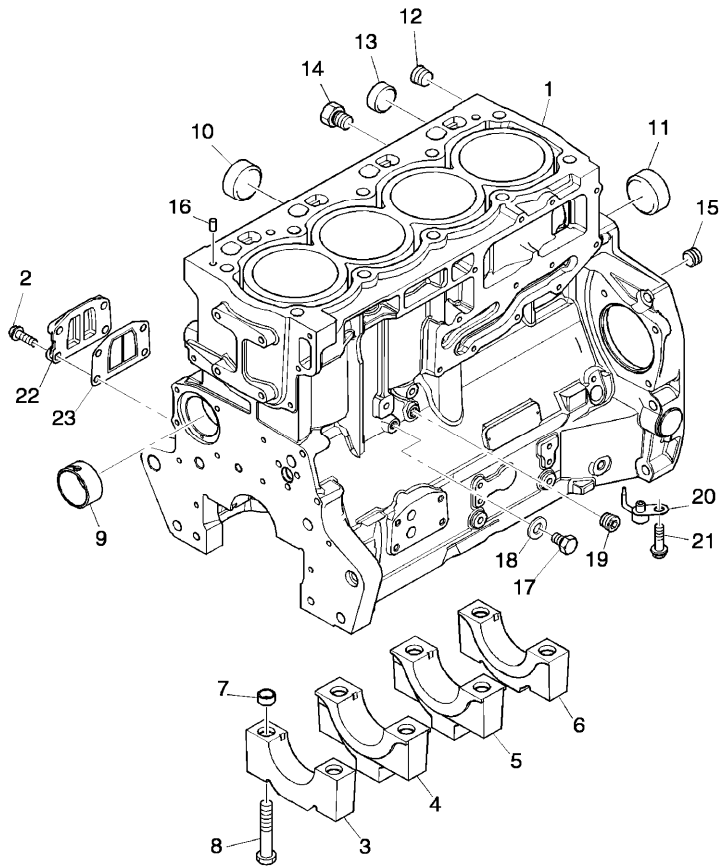
RPC1\000022252.png

**A-05  
02**



A0502

Cylinders block



- 1 ZZ50321
- 2 2314H034
- 3
- 4
- 5
- 6
- 7 33142111
- 8 32166329
- 9 3112D071
- 10 3241A011
- 11 3241A012
- 12 0650588
- 13 0650710
- 14 32141316
- 15 3212P008
- 16 3244A009
- 17 2314C049
- 18 2415D053
- 19 0650594
- 20 2113A003
- 21 2314F001

- ZZ50325(1)
- ! 1
- ➡ Ref.n.1
- ! 1
- ➡ Ref.n.1
- ! 1
- ➡ Ref.n.1
- ! 1
- ➡ Ref.n.1
- ! 1
- ➡ Ref.n.1
- 3112D075(1)

**Inglese**

- 1 Block
- 4 Screw
- 1 Bearing cup
- 1 Bearing cup
- 1 Bearing cup
- 1 Bearing cup
- 10 Manicott
- 10 Screw
- 1 Bush
- 2 Plug
- 1 Plug
- 1 Plug
- 1 Plug
- 1 Plug
- 2 Dowel
- 1 Screw
- 1 Washer
- 1 Plug
- 4 Atomiser
- 4 Screw

**<https://www.ebooklibonline.com>**

Hello dear friend!

Thank you very much for reading.

Enter the link into your browser.

The full manual is available for immediate download.

**<https://www.ebooklibonline.com>**

Engine

CX synchro tier 3 (2008-2009) - RPC1 - 105

RPC1\000022252.png

A-05  
02



A0502

Cylinders block

Inglese

22 3753A071

23 3688A041

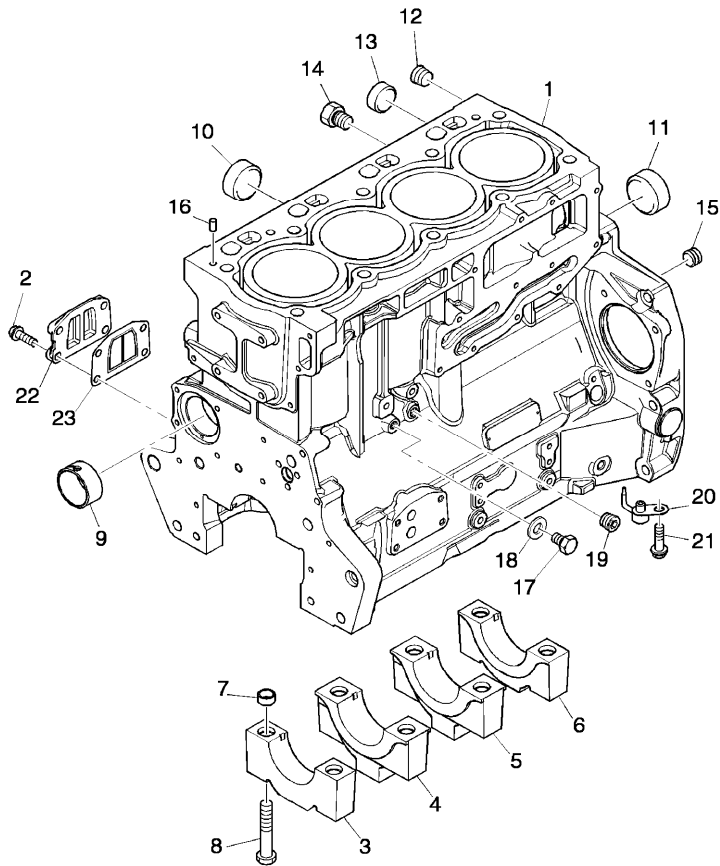
! This is a component of an assembly

▣ Not serviced, order

● Replacement

1 Coperch.

1 Gasket



Engine

CX synchro tier 3 (2008-2009) - RPC1 - 105

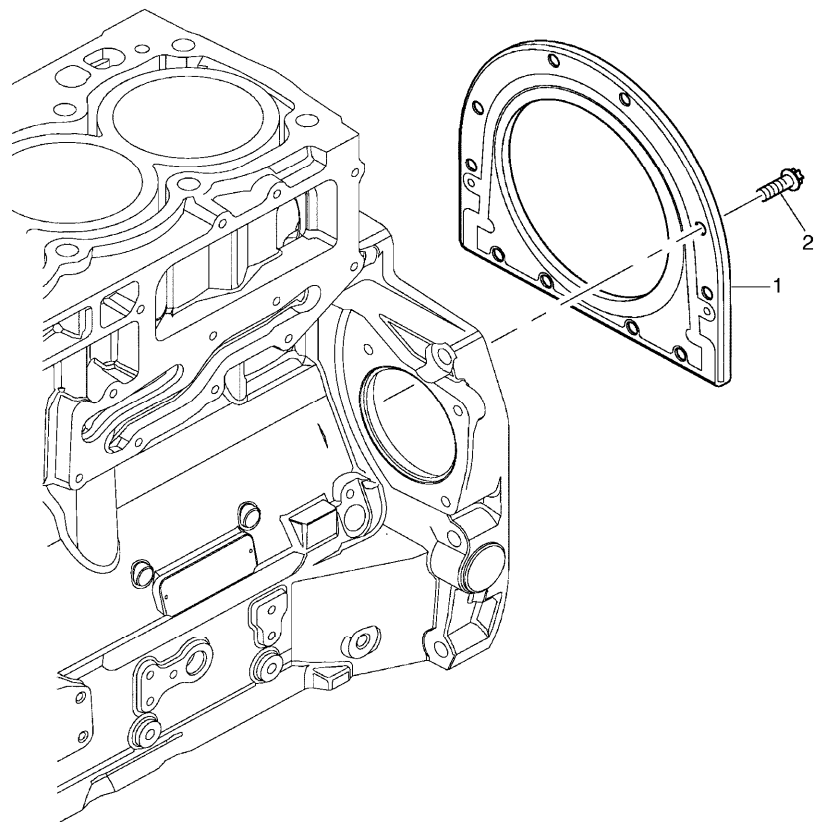
RPC1\000015074.png

A-05  
03



A0503

End cover



- 1 2418F704
- 2 3211C002

- Inglese
- 1 Housing
  - 10 Screw

Engine

CX synchro tier 3 (2008-2009) - RPC1 - 105

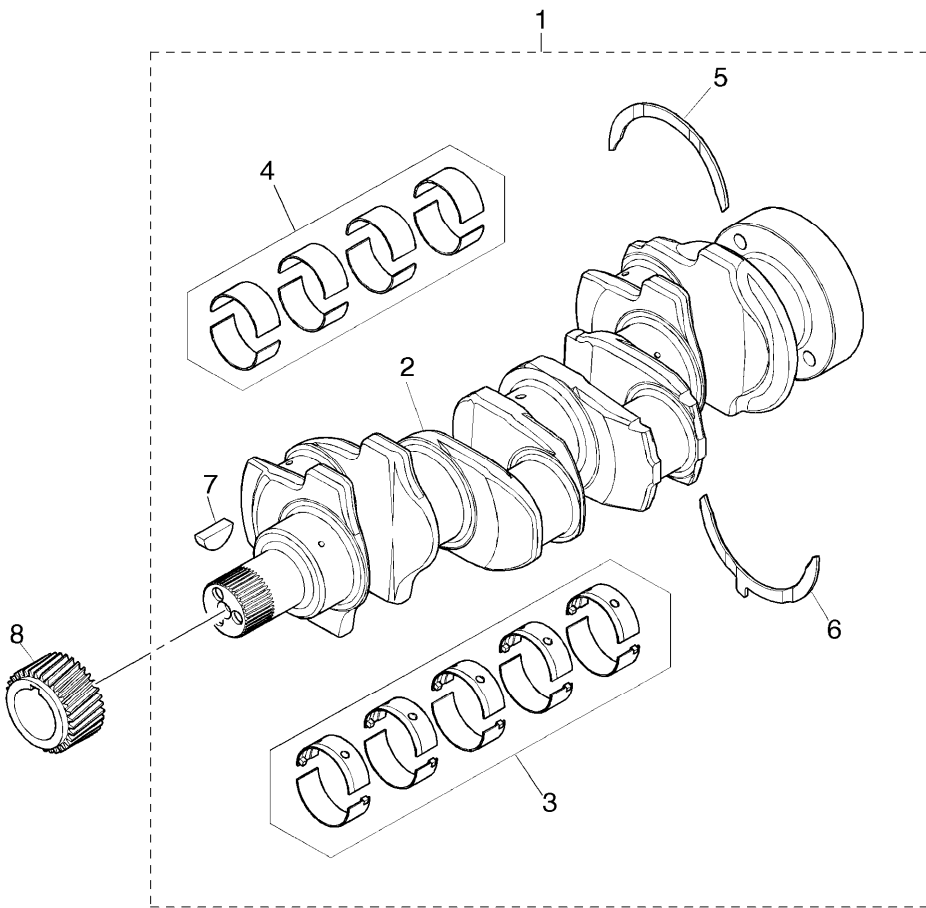
RPC1\000022253.png

A-05  
04



A0504

Crankshaft



		Inglese	
1	ZZ90222	➔ U491476 t	1 Kit
		● ZZ90239(1)	
1	ZZ90237	➔ U491477 t	1 Shaft
2		! 1	1 Crankshaft
		➔ Ref.n.1	
3	U5MB0018	! 1	1 Kit
		● U5MB0033(1)	
3	U5MB0018A	! 1	1 Kit
		⚡ 0.010 mm	
		● U5MB0033A(1)	
3	U5MB0018B	! 1	1 Kit
		⚡ 0.020 mm	
		● U5MB0033B(1)	
3	U5MB0018C	! 1	1 Kit
		⚡ 0.030 mm	
		● N.L.A.(1)	
4	T400002	! 1	1 Kit
		➔ U491477 t	
		● T410927(1)	
4	U5ME0026	! 1	1 Kit
		➔ U491476 t	
		● U5ME0034(1)	
4	U5ME0026A	! 1	1 Kit
		⚡ 0.25 mm	
		➔ U491476 t	
		● U5ME0034A(1)	

Engine

CX synchro tier 3 (2008-2009) - RPC1 - 105

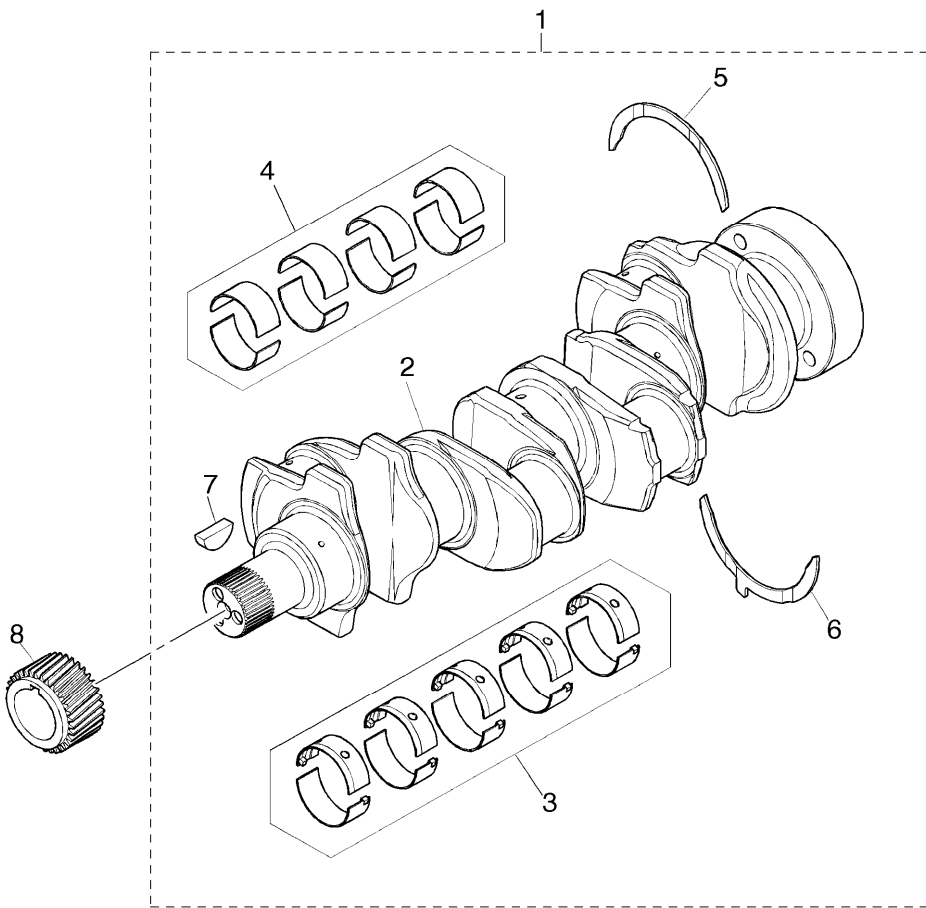
RPC1\000022253.png

A-05  
04



A0504

Crankshaft



		Inglese	
4	U5ME0026B	! 1	1 Kit
		⚡ 0.50 mm	
		➔ U491476 t	
		● U5ME0034B(1)	
4	U5ME0026C	! 1	1 Kit
		⚡ 0.75 mm	
		➔ U491476 t	
		● U5ME0034C(1)	
5	31137312	! 1	2 Ring
		⚡ 0.007 mm	
5	31137551	! 1	2 Washer
6	31137322	! 1	2 Ring
		⚡ 0.007 mm	
6	31137561	! 1	2 Washer
7	0500012	! 1	1 Key
8	3117C221	! 1	1 Gear
!	This is a component of an assembly		
➔	From serial or engine number		
➕	Up to serial or engine number		
⚙	Not serviced, order		
⚡	Shim		
●	Replacement		

Engine

CX synchro tier 3 (2008-2009) - RPC1 - 105

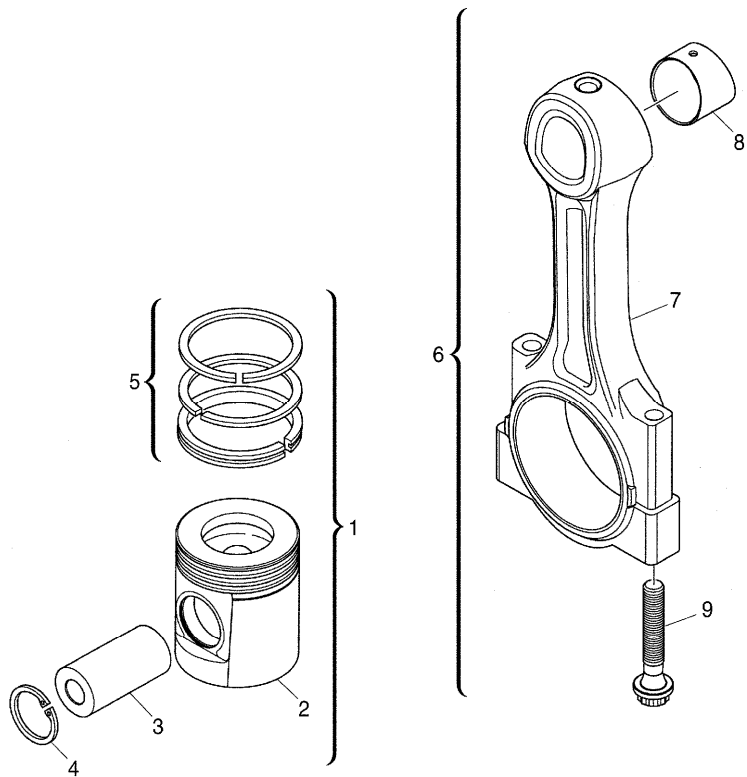
RPC1\000020562.png

**A-05  
05**



A0505

Pistons and connecting rods



			Inglese
1	U5PR0062	Std	4 Kit
1	U5PR0062B	+0,5 mm	4 Kit
2		!	1 Piston
		➡	Ref.n.1
3		!	1 Piston
		➡	Ref.n.1
4	2721332	!	2 Ring
5	UPRK0005	!	1 Kit
6	4115C311	➡	4 Kit
		A	
6	4115C312	➡	4 Kit
		B	
6	4115C313	➡	4 Kit
		C	
6	4115C314	➡	4 Kit
		D	
6	4115C315	➡	4 Kit
		E	
6	4115C316	➡	4 Kit
		F	
6	4115C361	➡	4 Conrod
		A	
6	4115C362	➡	4 Conrod
		B	
6	4115C363	➡	4 Conrod
		C	

Engine

CX synchro tier 3 (2008-2009) - RPC1 - 105

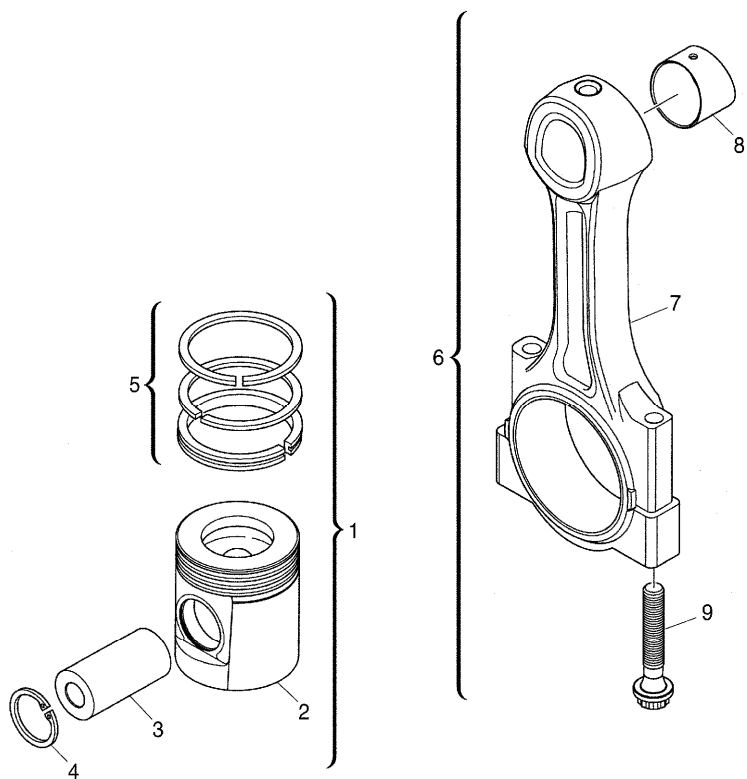
RPC1\000020562.png

**A-05  
05**



A0505

Pistons and connecting rods



		Inglese	
6	4115C364	➡ U056075 t D	4 Conrod
6	4115C365	➡ U056075 t E	4 Conrod
6	4115C366	➡ U056075 t F	4 Conrod
7		! 6 ➡ Ref.n.6	1 Conrod
8	3112A005	! 6	1 Bush
9	3212V003	! 6 ➡ U056074 t	2 Screw
9	T400001	! 6 ➡ U056075 t	2 Screw

- ! This is a component of an assembly
- ➡ From serial or engine number
- ➡ Up to serial or engine number
- ➡ Not serviced, order
- A Red
- B Orange
- C White
- D Green
- E Purple
- F Blue

Engine

CX synchro tier 3 (2008-2009) - RPC1 - 105

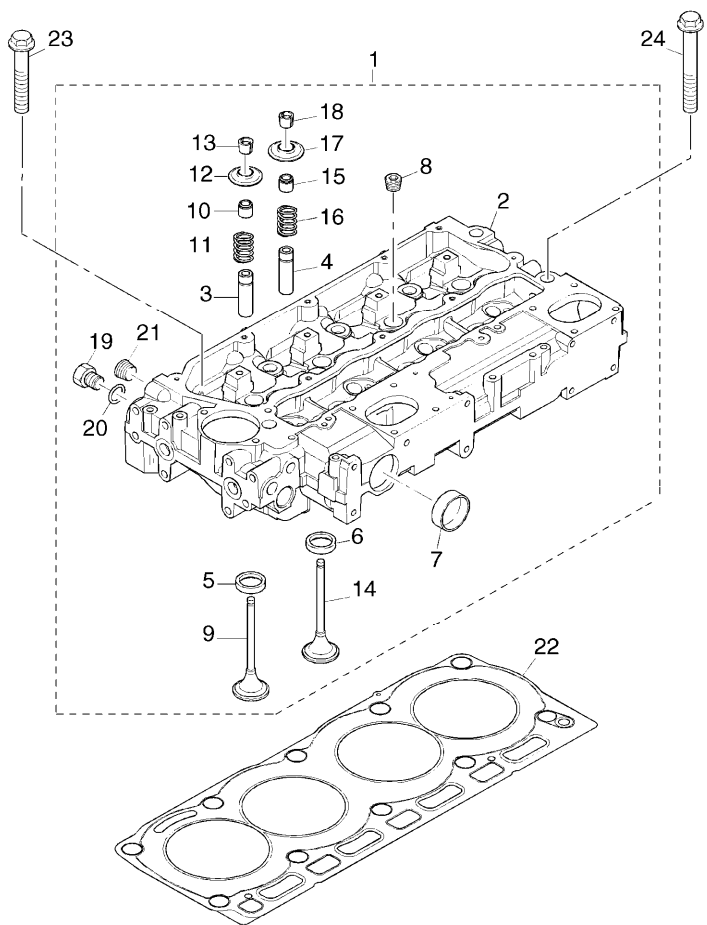
RPC1\000022254.png

**A-05  
06**



A0506

Cylinder head



1	ZZ80280		
2		!	1
		➡	Ref.n.1
3	3313A012	!	1
4	3313A012	!	1
5	3314A221	!	1
6	3314A231	!	1
7	32416117	!	1
8	0650588	!	1
9	3142H101	!	1
10	2418M519	!	1
		A	
11	3174A031	!	1
		●	T417479(4)
12	3342A021	!	1
13	2714A002	!	1
14	3142A171	!	1
15	2418M517	!	1
		B	
16	3174A031	!	1
		●	T417479(4)
17	3342A021	!	1
18	2714A002	!	1
19	3278A006	!	1
20	2415H003	!	1

**Inglese**

1	Cylinder head
1	Cylinder head
4	Insert
4	Insert
4	Insert
4	Insert
2	Plug
4	Plug
4	Valve
4	Ring
4	Spring
4	Coperch.
8	Collar
4	Valve
4	Ring
4	Spring
4	Coperch.
8	Collar
1	Plug
1	Ring

Engine

A-05  
06

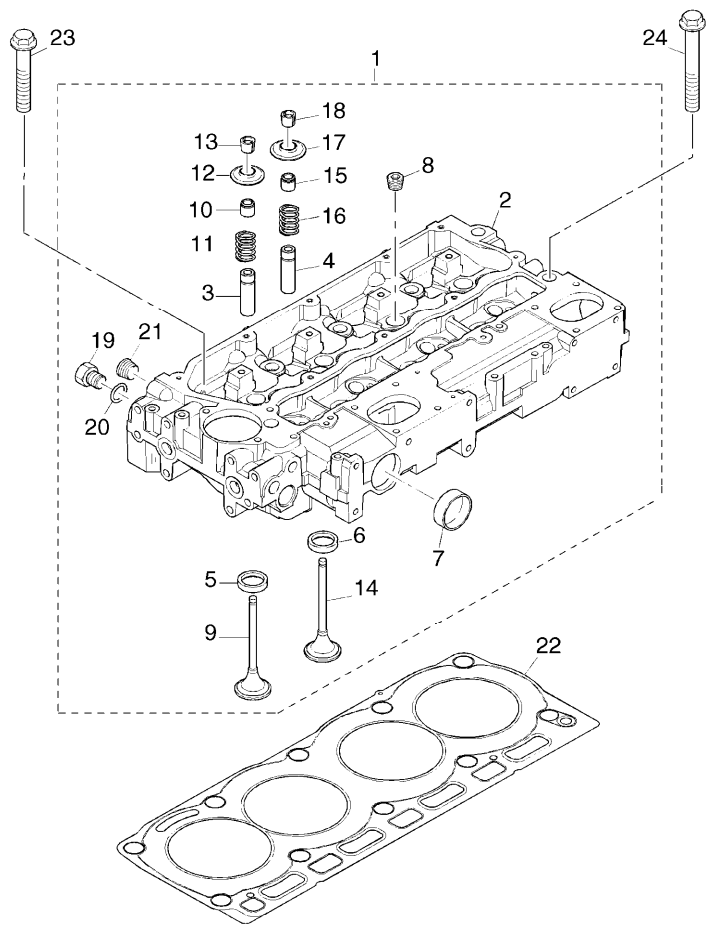
Cylinder head

CX synchro tier 3 (2008-2009) - RPC1 - 105



A0506

RPC1\000022254.png



21 2431154 ! 1

22 3681E051

23 3218A011

24 3218A012

! This is a component of an assembly

🔧 Not serviced, order

🔴 Replacement

A Green

B Brown

Inglese

2 Plug

1 Gasket

7 Screw

3 Screw

Engine

CX synchro tier 3 (2008-2009) - RPC1 - 105

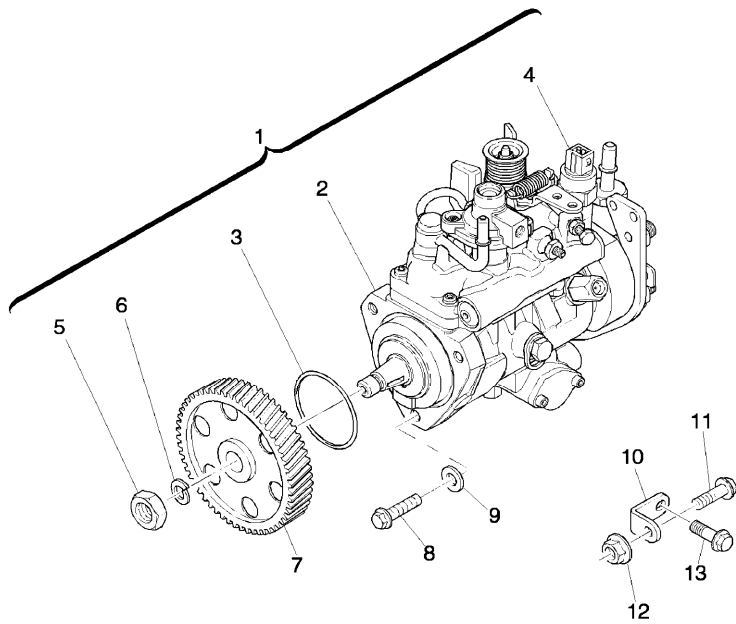
RPC1\000022255.png

A-05  
07



A0507

Injection pump assy



- |    |             |   |         |  |
|----|-------------|---|---------|--|
| 1  | 2644C313/22 |   |         |  |
| 2  |             | ! | 1       |  |
|    |             | ➡ | Ref.n.1 |  |
| 3  | 26420318    | ! | 1       |  |
| 4  | 26420469    | ! | 1       |  |
| 5  | 2318A108    | ! | 1       |  |
| 6  | K134AF01    | ! | 1       |  |
| 7  | 3117L261    |   |         |  |
| 8  | 2314H004    |   |         |  |
| 9  | 2411D008    |   |         |  |
| 10 | 3641A007    |   |         |  |
| 11 | 2314H003    |   |         |  |
| 12 | 2318A603    |   |         |  |
| 13 | 2314J002    |   |         |  |
- ! This is a component of an assembly  
➡ Not serviced, order

Inglese

- 1 Pump
- 1 Pump
- 1 Ring
- 1 Solenoid
- 1 Nut
- 1 Washer
- 1 Gear
- 3 Screw
- 3 Washer
- 1 Stirrup
- 1 Screw
- 1 Nut
- 1 Screw

Engine

CX synchro tier 3 (2008-2009) - RPC1 - 105

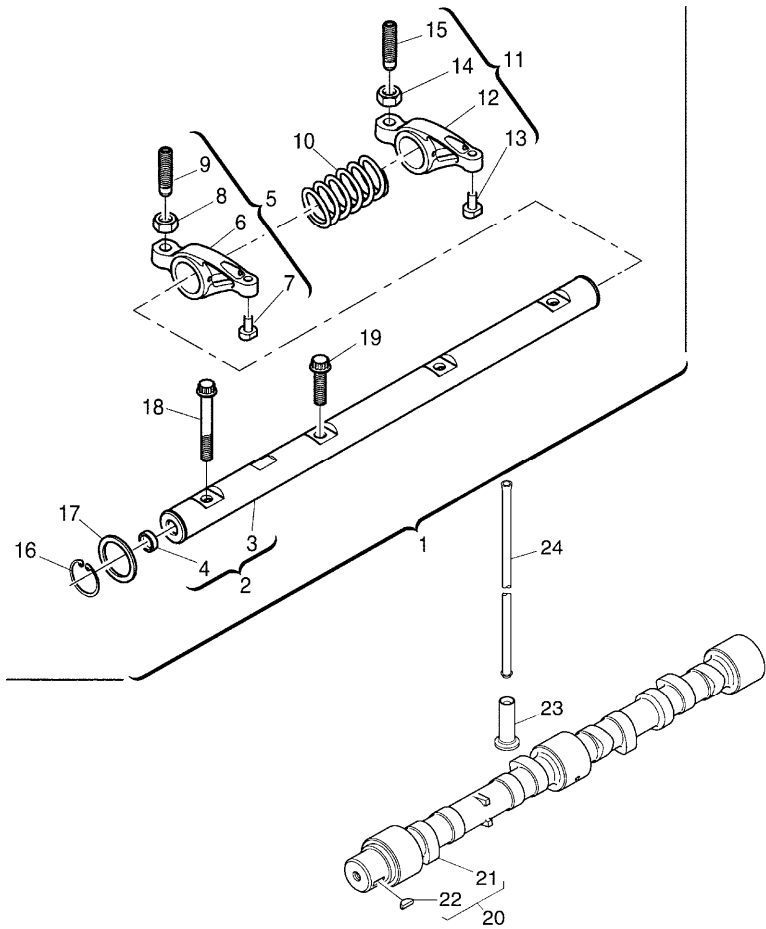
RPC1\000015075.png

A-05  
08



A0508

Rocker shaft



		Inglese
1	4115R613	1 Axle
2	4115R703	! 1 Shaft
3		! 2 1 Axe
4	2485A104	! 2 2 Plug
5	4115R319	! 1 4 Lever
6		! 5 1 Rocker
7		! 5 1 Pad
8	3331A006	! 5 1 Nut
9	3211C004	! 5 1 Screw
10	3174A015	! 1 3 Spring
11	4115R318	! 1 4 Lever
12		! 11 1 Rocker
13		! 11 1 Pad
14	3331A006	! 11 1 Nut
15	3211C004	! 11 1 Screw
16	2722A022	! 1 2 Ring
17	2134A502	! 1 2 Washer
18	2316A902	! 1 1 Screw
19	2316A902	! 1 3 Screw
20	4112K032	! 4112K077(1) 1 Shaft

Engine

CX synchro tier 3 (2008-2009) - RPC1 - 105

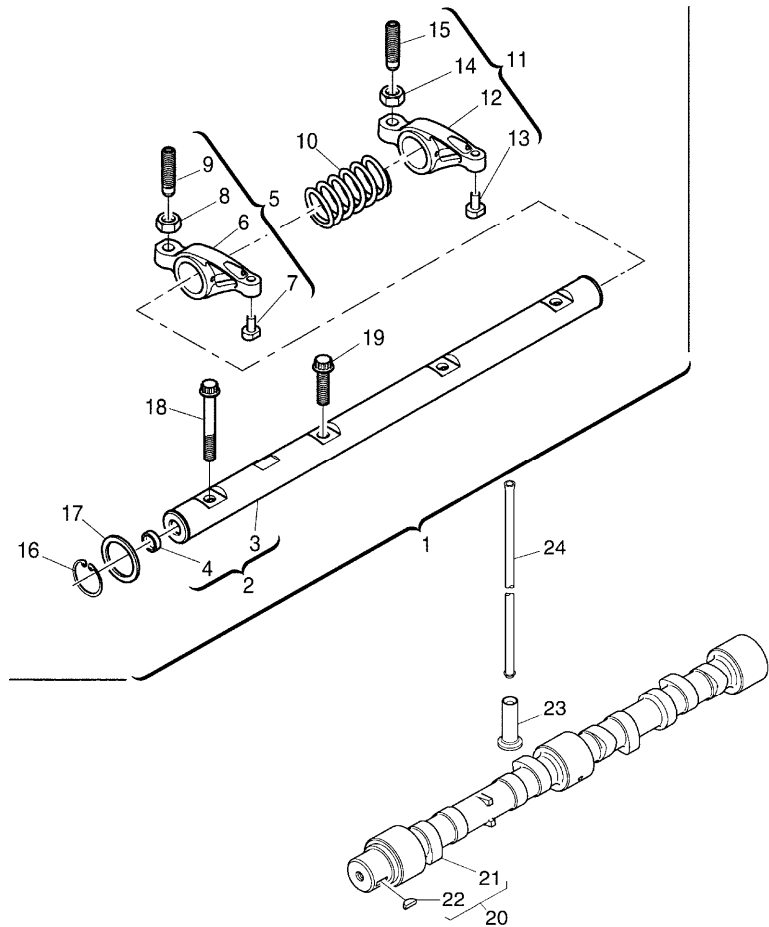
RPC1\000015075.png

A-05  
08



A0508

Rocker shaft



- 21 ! 20
- 22 0500012 ! 20
- 23 3142U061 ! 20
- 24 3142V011 ! 20
- ! This is a component of an assembly
- ▣ Not serviced, order
- Replacement

Inglese

- 1 Shaft
- 1 Key
- 8 Tappet
- 8 Rod

Engine

CX synchro tier 3 (2008-2009) - RPC1 - 105

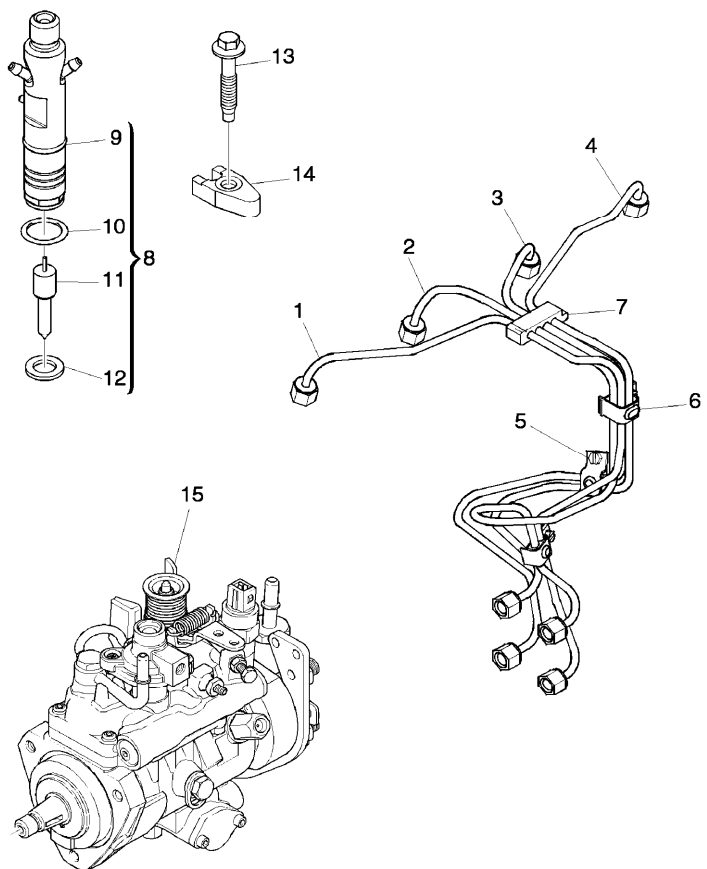
RPC1\000022256.png

**A-05  
09**



A0509

Fuel injection equipment (diesel)



		Inglese
1	3525A101	1 Pipe
2	3525A102	1 Pipe
3	3525A103	1 Pipe
4	3525A104	1 Pipe
5	2481Y011	2 Clip
6	2481Y012	1 Clip
7	2646E019	1 Clip
8	2645K025	4 Nozzle
9	! 8	1 Nozzle
	➡ Ref.n.8	
10	26460064 ! 8	1 Ring
11	! 8	1 Nozzle
	➡ Ref.n.8	
12	L311FF02 ! 8	1 Washer
13	2314W009 ! 8	4 Screw
14	3751A241	4 Clamp
15	👁 A-05 07 1	1 Injection pump

! This is a component of an assembly

👁 See page - reference number

➡ Not serviced, order

Engine

CX synchro tier 3 (2008-2009) - RPC1 - 105

RPC1\000020530.png

A-05  
10



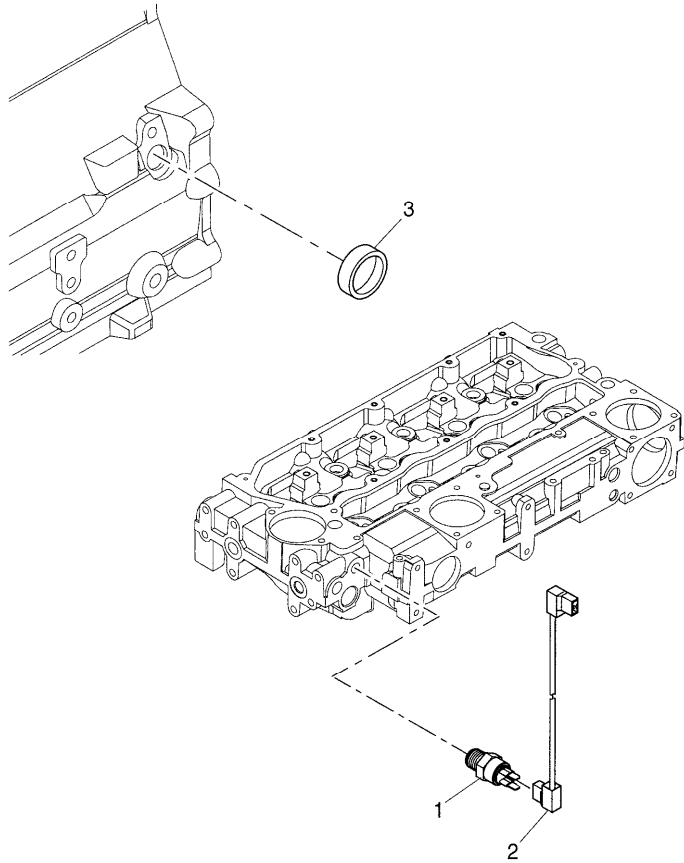
A0510

Sensor pickup

Inglese

- 1 2848A127
- 2 3161C017
- 3 2485A109

- 1 Sensor
- 1 Cable
- 1 Plug



Engine

CX synchro tier 3 (2008-2009) - RPC1 - 105

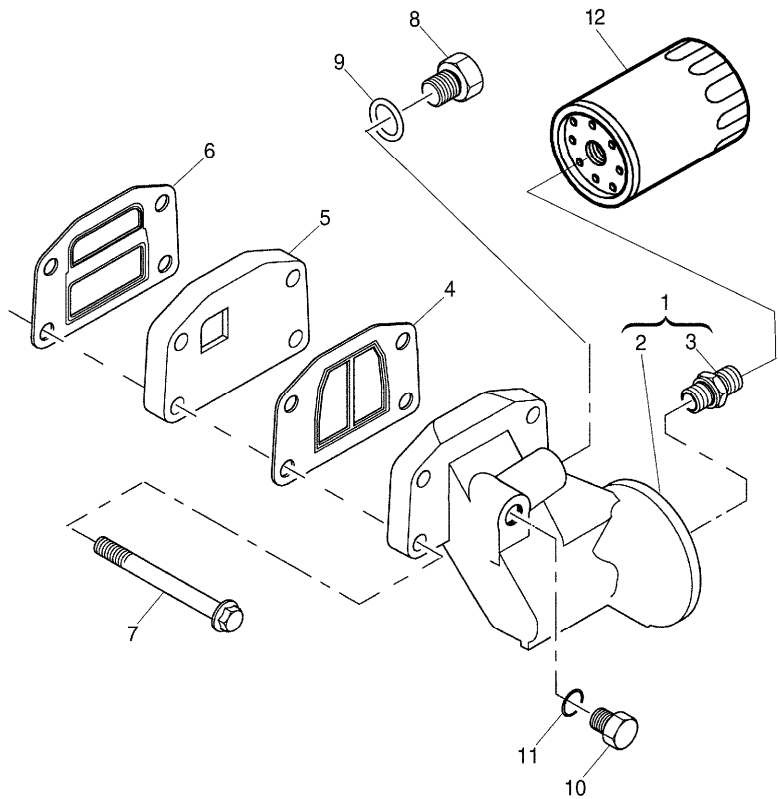
RPC1\000020539.png

**A-05**  
**11**



A0511

Lube oil filters



			Inglese
1	4134E057	● 3773A071(1)	1 Head
2		! 1	1 Head
3	33554128	➡ Ref.n.1	1 Union
4	3688A041	! 1	1 Gasket
5	3773A081		1 Adaptor
6	3688A039		1 Gasket
7	2314H038		4 Screw
8	3278A004		1 Plug
9	2415H002		1 Ring
10	3278A007		1 Plug
11	2415H009		1 O ring
12	701899A1		1 Filter

- ! This is a component of an assembly
- ➡ Not serviced, order
- Replacement

Engine

CX synchro tier 3 (2008-2009) - RPC1 - 105

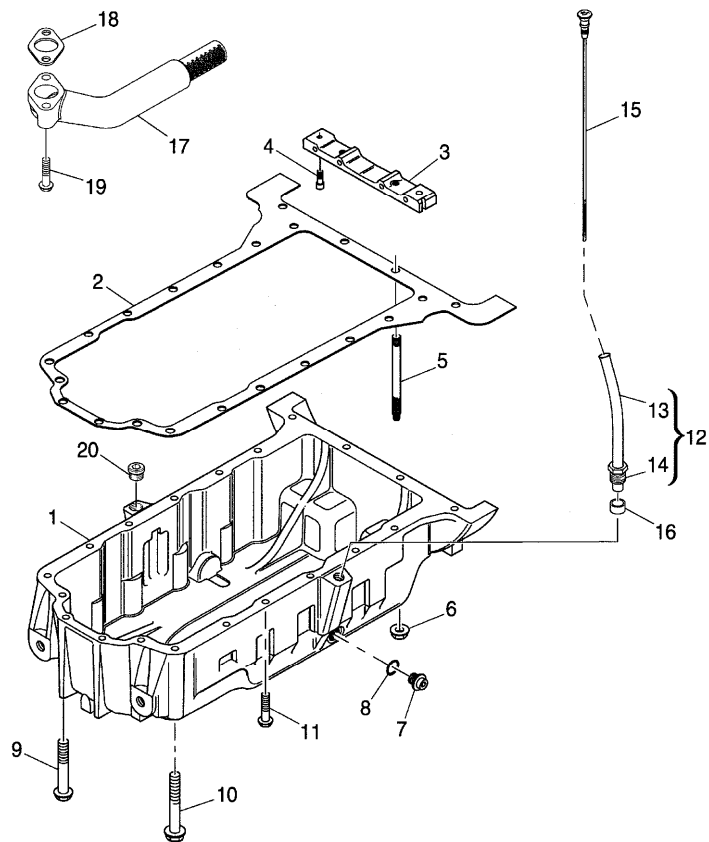
RPC1\000014129.png

A-05  
12



A0512

Oil sump



- 1 3717E271
  - 2 3681K036
  - 3 3627P041
  - 4 2311D039
  - 5 3211P013
  - 6 2318A603
  - 7 32186405
  - 8 2415715
  - 9 2314H023
  - 10 2314H022
  - 11 2314H015
  - 12 3577A125
  - 13
  - 14 3353D005
  - 15 3178C081
  - 16 33812116
  - 17 3765A091
  - 18 36832137
  - 19 2314H006
  - 20 2431A016
- ! This is a component of an assembly
- ➡ Not serviced, order
- Replacement

● 2314H052(1)

! 12

➡ Ref.n.12

! 12

Inglese

- 1 Crankcase
- 1 Gasket
- 1 Crosspiece
- 2 Screw
- 2 Stud
- 2 Nut
- 2 Plug
- 2 Ring
- 5 Screw
- 1 Screw
- 12 Screw
- 1 Pipe
- 1 Pipe
- 1 Nut
- 1 Rod
- 1 Olive
- 1 Pipe
- 1 Gasket
- 2 Screw
- 1 Plug

Engine

CX synchro tier 3 (2008-2009) - RPC1 - 105

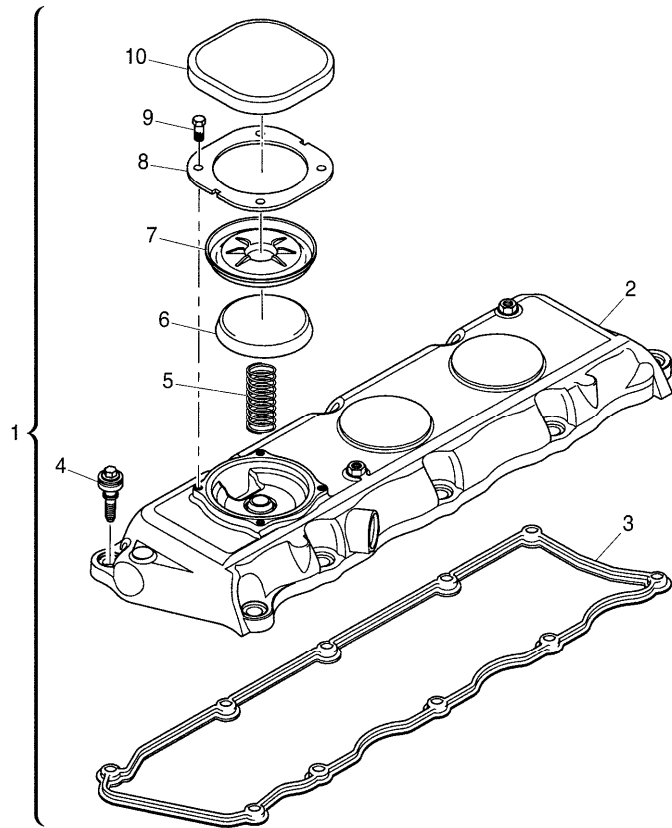
RPC1\000020533.png

A-05  
13



A0513

Cylinder head cover



		Inglese	
1	4142X325	● T417478(1)	1 Coperch.
2		! 1	1 Cover
3	3681A055	➡ Ref.n.1	1 Gasket
4		! 1	10 Screw
5	3174A017	➡ Ref.n.1	1 Spring
6	3788A002	! 1	1 Cap
7	3789A001	! 1	1 Diaphragm
8	3615A009	! 1	1 Plate
9	2151A001	! 1	4 Screw
10	3788A003	! 1	1 Cap
!		This is a component of an assembly	
➡		Not serviced, order	
●		Replacement	

Engine

CX synchro tier 3 (2008-2009) - RPC1 - 105

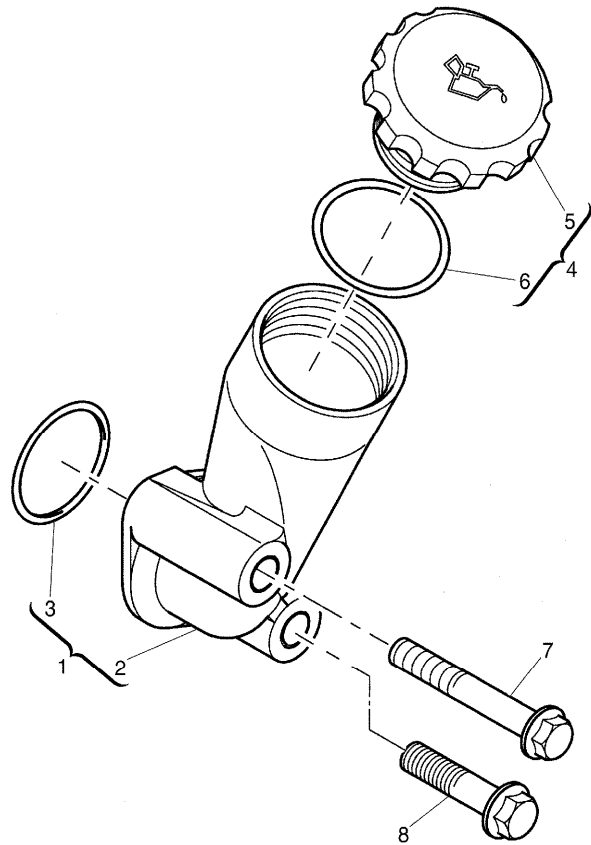
RPC1\000020589.png

A-05  
14



A0514

Filler



				Inglese
1	4134C019	●	N.L.S.(1)	1 Filler
2		!	1	1 Body
		➡	Ref.n.1	
3	2415B121	!	1	1 O ring
4	4142X098	!	1	1 Plug
5		!	4	1 Plug
		➡	Ref.n.4	
6	2415633	!	4	1 O ring
7	2314K161			1 Screw
8	2314H008			1 Screw

- ! This is a component of an assembly
- ➡ Not serviced, order
- Replacement

Engine

CX synchro tier 3 (2008-2009) - RPC1 - 105

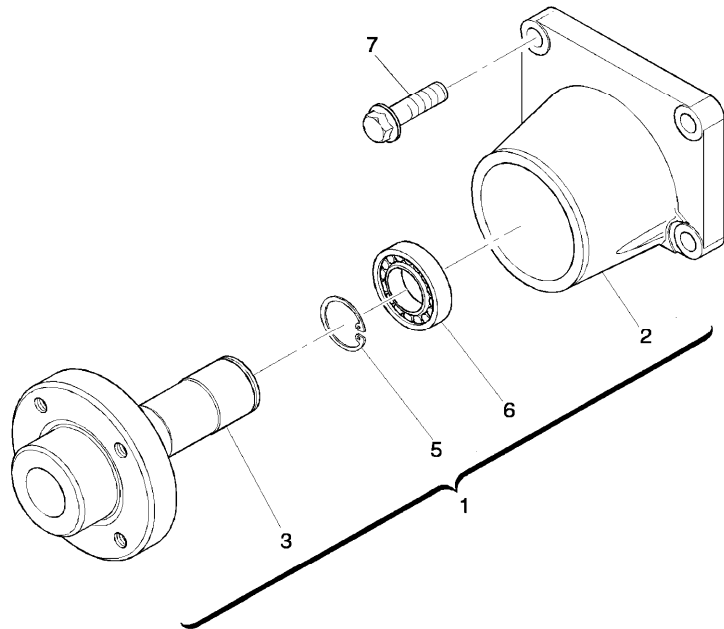
RPC1\000022257.png

A-05  
15



A0515

Fan's support



- |   |          |   |                                    |   |
|---|----------|---|------------------------------------|---|
| 1 | 4113K007 |   |                                    |   |
| 2 |          | ! | 1                                  |   |
|   |          | ➤ | Ref.n.1                            |   |
| 3 |          | ! | 1                                  |   |
|   |          | ➤ | Ref.n.1                            |   |
| 4 |          | ! | 1                                  |   |
|   |          | ➤ | Ref.n.1                            |   |
| 5 | 2722A022 | ! | 1                                  |   |
| 6 |          | ! | 1                                  |   |
|   |          | ➤ | Ref.n.1                            |   |
| 7 | 2314J005 |   |                                    | 4 |
|   |          | ! | This is a component of an assembly |   |
|   |          | ➤ | Not serviced, order                |   |

Inglese

- |   |         |
|---|---------|
| 1 | Stirrup |
| 1 | Stirrup |
| 1 | Hub     |
| 1 | Spacer  |
| 1 | Ring    |
| 2 | Bearing |
| 4 | Screw   |

Engine

CX synchro tier 3 (2008-2009) - RPC1 - 105

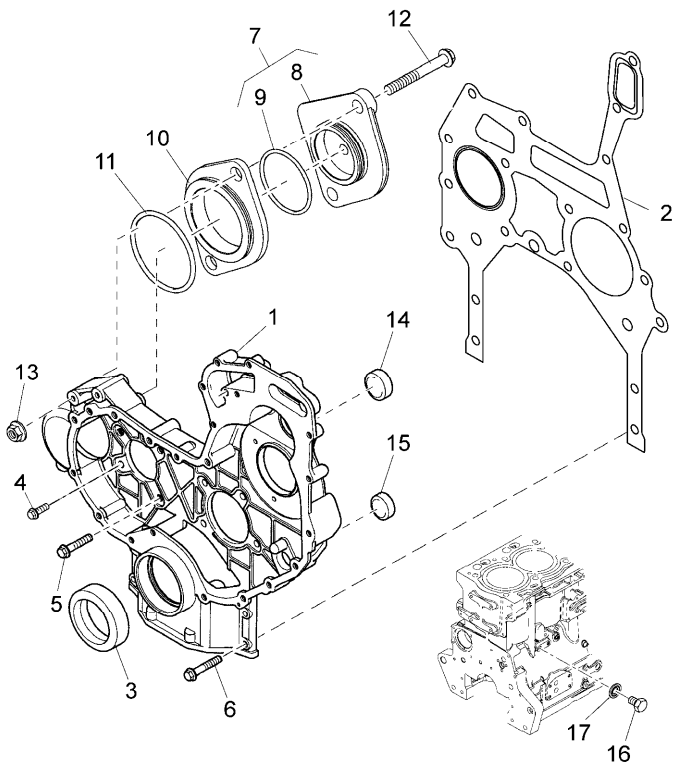
RPC1\000015081.png

**A-05  
16**



A0516

Gasket sets



		Inglese
1	3716C581	1 Housing
2	3681P053	1 Gasket
3	2418F437	1 Gasket
4	2314H003	6 Screw
5	2314H006	2 Screw
6	2314H034	4 Screw
7	4148K012	1 Plate
8	!	7
	➡	Ref.n.7
9	2415H515	! 7
		1 Ring
10	3617A021	1 Disc
11	2415H516	1 O ring
12	2314J014	2 Screw
13	2318A604	2 Nut
14	2485A124	1 Plug
15	2485A124	1 Plug
16	2314C049	1 Screw
17	2415D053	1 Washer

! This is a component of an assembly  
 ➡ Not serviced, order

Engine

CX synchro tier 3 (2008-2009) - RPC1 - 105

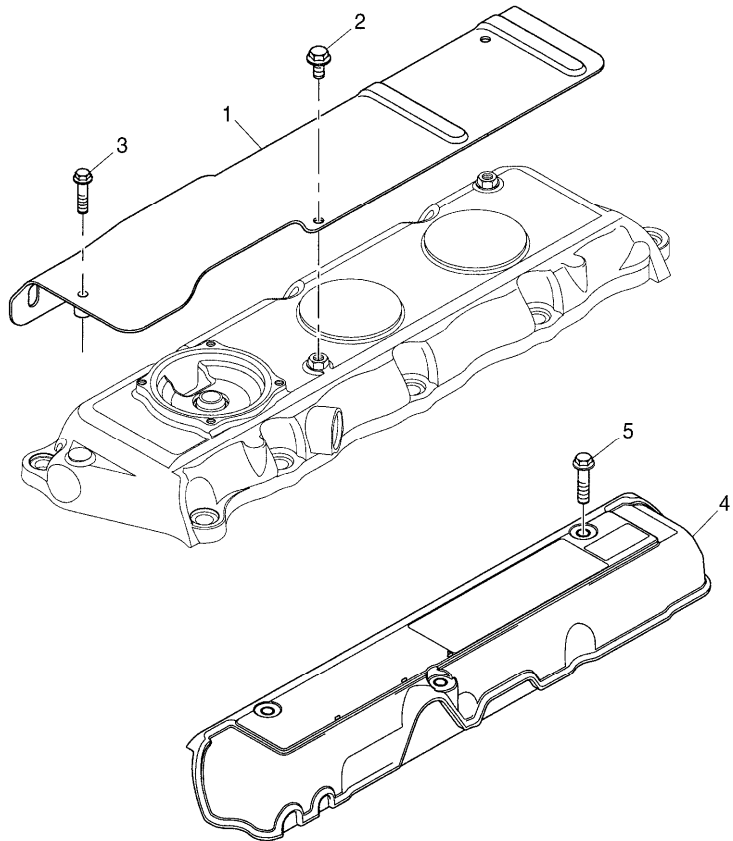
RPC1\000020537.png

A-05  
17



A0517

Cylinder head cover



- 1 3812A026
- 2 2314F001
- 3 2314F006
- 4 3788N003
- 5 2314F003

Inglese

- 1 Heatshield
- 2 Screw
- 1 Screw
- 1 Cover
- 3 Screw

Engine

CX synchro tier 3 (2008-2009) - RPC1 - 105

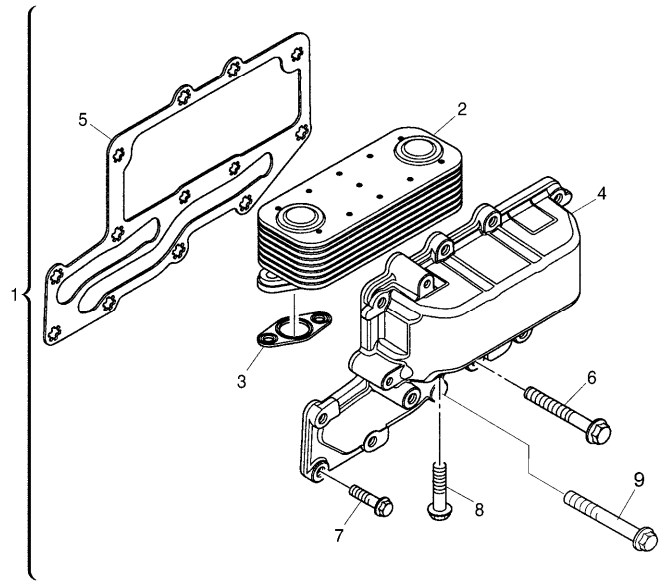
RPC1\000015031.png

A-05  
18



A0518

Oil bath air filter - lautrette



1	4134W021	●	4134W025(1)
2	2486A217	!	1
3	3685A025	!	1
4		!	1
		➡	Ref.n.1
5	3685A033	!	1
6	2314K161	!	1
7	2314H004	!	1
8	2314H006	!	1
9	2311D060	!	1

Inglese

1	Radiator
1	Exchanger
2	Ring
1	Cooler
1	Gasket
3	Screw
8	Screw
4	Screw
2	Screw

- ! This is a component of an assembly
- ➡ Not serviced, order
- Replacement

Engine

CX synchro tier 3 (2008-2009) - RPC1 - 105

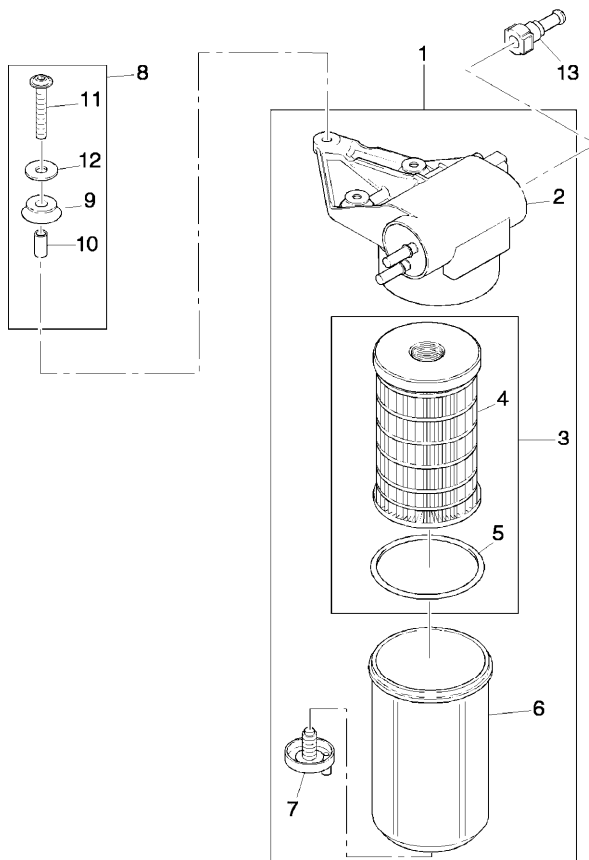
RPC1\000022264.png

**A-05  
19**



A0519

Lift pump



				Inglese
1	4132A018	●	N.L.S.(1)	1 Pump
2		!	1	1 Pump
3	26560201	➡	Ref.n.1	1 Filter
4		!	2	1 Filter
5		➡	Ref.n.2	
6	2656F837	!	2	1
7	2656F836	➡	Ref.n.2	
8	U5MK1239	!	1	1 Bowl
9		!	1	1 Valve
10		!	8	1 Support
11	2316T135	➡	Ref.n.8	6 Support
12	2131A507	!	8	3 Spacer
13	3763A046	➡	Ref.n.8	
!	This is a component of an assembly			
➡	Not serviced, order			
●	Replacement			

Engine

CX synchro tier 3 (2008-2009) - RPC1 - 105

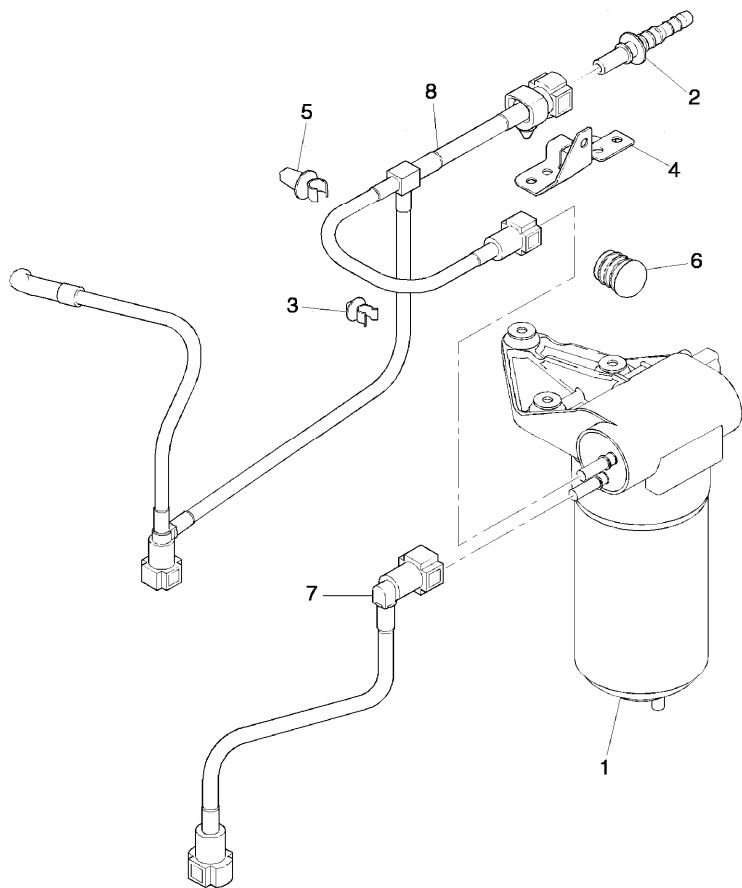
RPC1\000022265.png

A-05  
20



A0520

Lift pump



- 1 A-05 19 1
  - 2 3763A045
  - 3 2481D456
  - 4 3661A091
  - 5 2481D559
  - 6 2487A401
  - 7 2646F001
  - 8 2646F009
- See page - reference number

Inglese

- 1 Pump
- 1 Connection
- 1 Clip
- 1 Stirrup
- 1 Clip
- 1 Plug
- 1 Pipe
- 1 Pipe



**Suggest:**

**For more complete manuals. Please go to the home page.**

**<https://www.ebooklibonline.com>**

**If the above button click is invalid. Please download this document first, and then click the above link to download the complete manual.**

**Thank you so much for reading**

Engine

CX synchro tier 3 (2008-2009) - RPC1 - 105

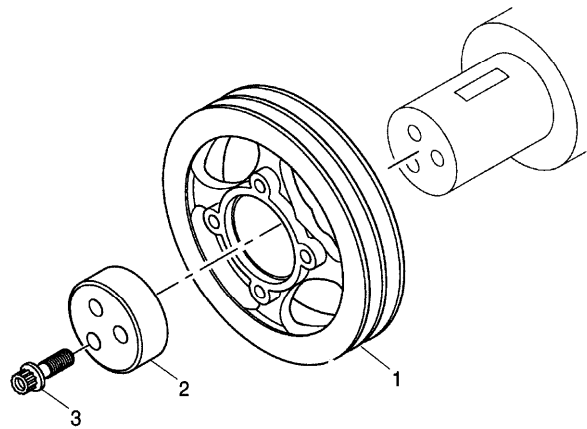
RPC1\000014134.png

A-05  
21



A0521

Front end drive input - auxiliary drive



- 1 3115A141 ➡ U056075 t
- 1 3115T051 ➡ U056074 t
- 2 3241N001 ➡ U056074 t
- 3 32186137 ➡ U056074 t
- 3 32186146 ➡ U056075 t

- ➡ From serial or engine number
- ➡ Up to serial or engine number

Inglese

- 1 Pulley
- 1 Pulley
- 1 Block
- 3 Screw
- 3 Bolt

Engine

CX synchro tier 3 (2008-2009) - RPC1 - 105

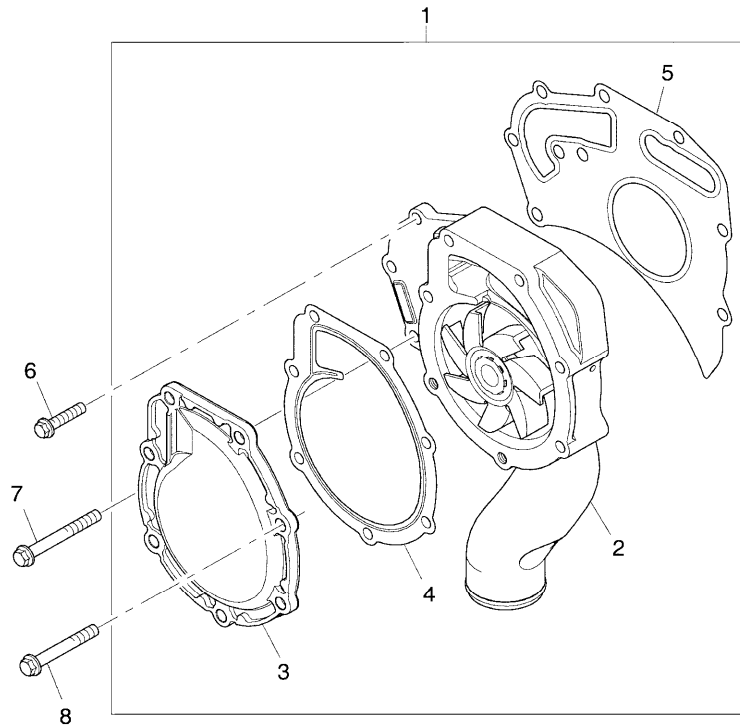
RPC1\000015083.png

A-05  
22



A0522

Water pump



			Inglese
1	U5MW0201	● U5MW0208(1)	1 Kit
2		! 1	1 Pump
		➡ Ref.n.1	
3		! 1	1 Guard
		➡ Ref.n.1	
4	24880234	! 1	1 Guard
5	3682A011	! 1	1 Gasket
6	2314H005		2 Screw
7	2314K164		2 Screw
8	2314H012		5 Screw

- ! This is a component of an assembly
- ➡ Not serviced, order
- Replacement

**<https://www.ebooklibonline.com>**

Hello dear friend!

Thank you very much for reading.

Enter the link into your browser.

The full manual is available for immediate download.

**<https://www.ebooklibonline.com>**