

Engine

C-MAX Tier 3 (2008-) - RS22 - 110

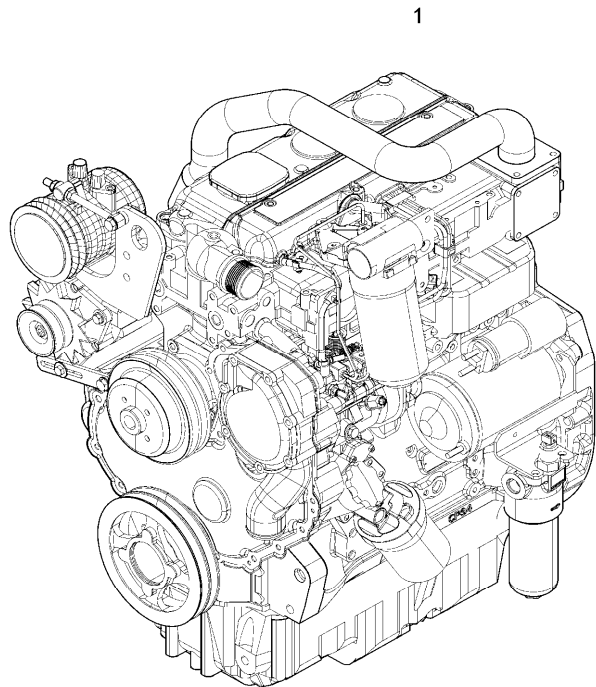
RS22\00005170.png

A-05
01



A0501

Engine assembly



		Inglese	
1	4216958M91	"perkins nm75228 74,9 kw	1 Engine
1	6510952M91	"perkins nm51681 74,9 kw	1 Engine
		A	
1	6512103M91	"perkins nm81890 74,9 kw	1 Engine
		B	
		C	
1	6512334M91	"perkins nm70857 74,9 kw	1 Engine
		B	
		D	
A	Tier 3b		
B	Flexibility engine		
C	Cee		
D	Nao		

Engine

C-MAX Tier 3 (2008-) - RS22 - 110

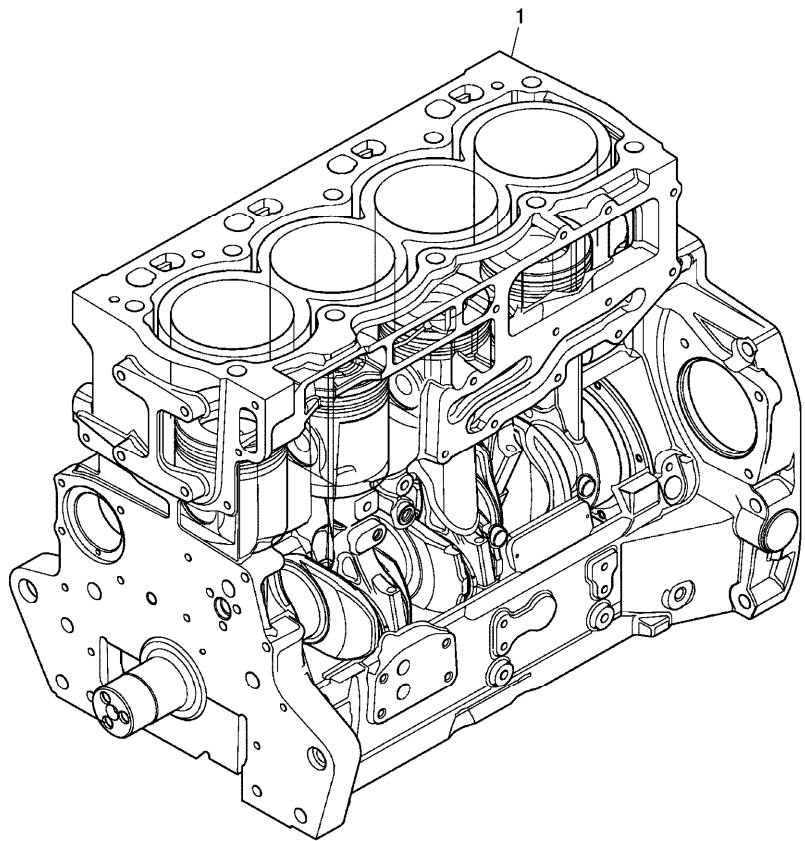
RS22\000015070.png

A-05
02









A0502

Short engine



Inglese

- 1 NM40008  U056074 t 1 Short engine
-  3115A141(1),
32186146(3), NM4
- 1 NM40019  U056075 t 1 Short engine

-  From serial or engine number
-  Up to serial or engine number
-  Replacement

Engine

C-MAX Tier 3 (2008-) - RS22 - 110

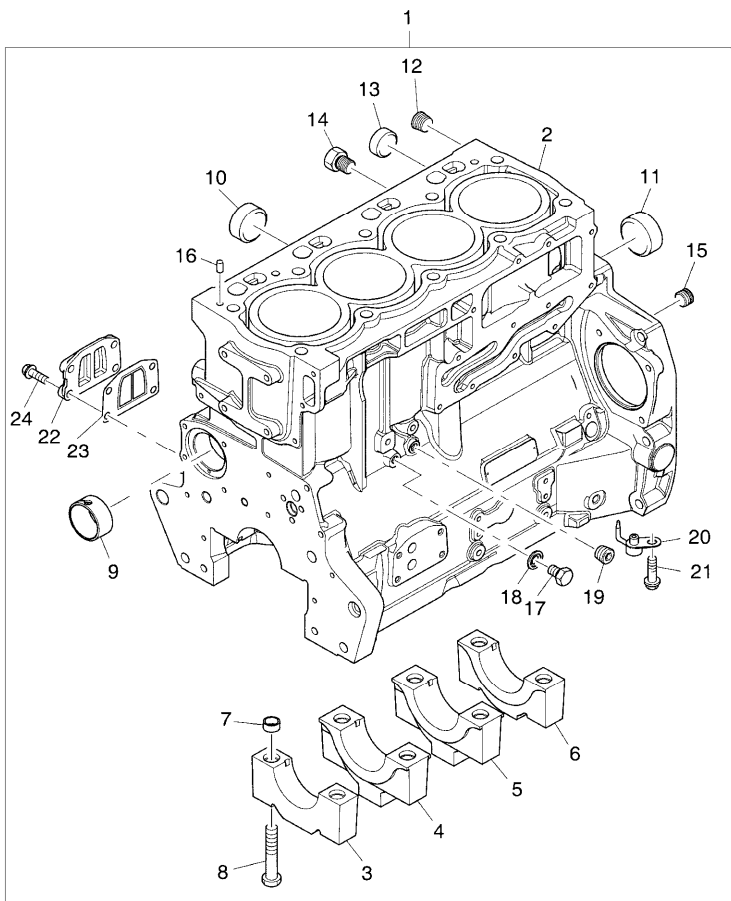
**A-05
03**



A0503

Cylinder block

RS22\000015072.png



		Inglese	
1	ZZ50321	● ZZ50325(1)	1 Block
2		! 1	1 Cylinder block
3		➡ Ref.n.1	1 Bearing
4		! 1	2 Bearing
5		➡ Ref.n.1	1 Bearing
6		! 1	1 Bearing
7	33142111	! 1	10 Manicott
8	32166329	! 1	10 Screw
9	3112D071	! 1	1 Bush
10	3241A011	● 3112D075(1)	2 Plug
11	3241A012	! 1	1 Plug
12	0650588	! 1	1 Plug
13	0650710	! 1	1 Plug
14	32141316	! 1	1 Plug
15	3212P008	! 1	1 Plug
16	3244A009	! 1	2 Dowel
17	2314C049	! 1	1 Screw
18	2415D053	! 1	1 Washer
19	0650594	! 1	1 Plug

<https://www.ebooklibonline.com>

Hello dear friend!

Thank you very much for reading.

Enter the link into your browser.

The full manual is available for immediate download.

<https://www.ebooklibonline.com>

Engine

C-MAX Tier 3 (2008-) - RS22 - 110

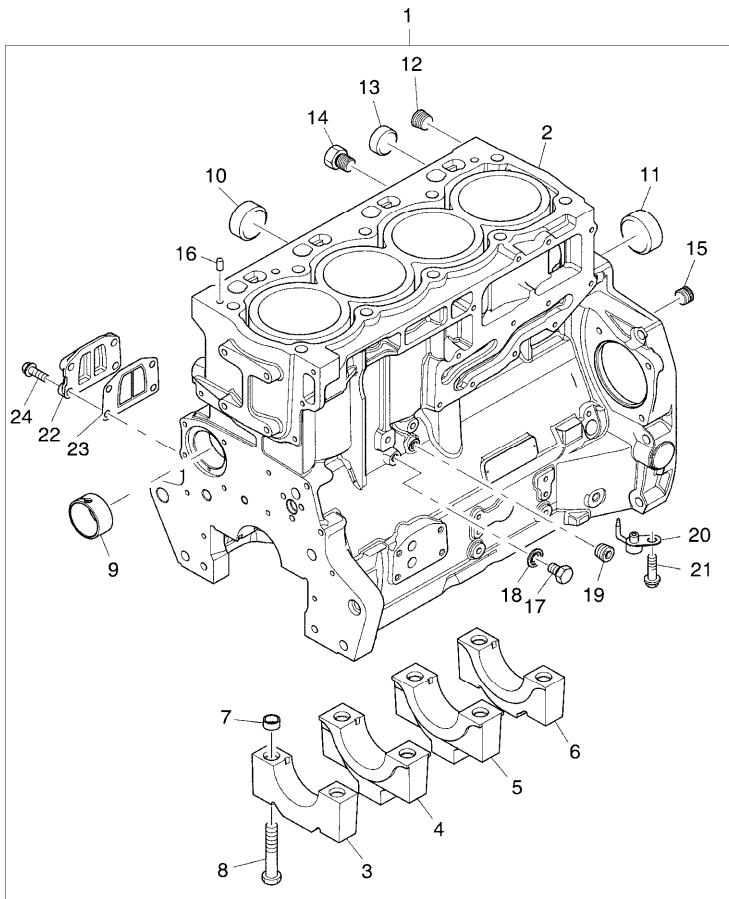
A-05
03



A0503

Cylinder block

RS22\000015072.png



Inglese

- 20 2113A003 ! 1
- 21 2314F001 ! 1
- 22 3753A071 ! 1
- 23 3688A041 ! 1
- 24 2314H034 ! 1

- 4 Atomiser
- 4 Screw
- 1 Coperch.
- 1 Ring
- 4 Screw

! This is a component of an assembly

▣ Not serviced, order

● Replacement

Engine

C-MAX Tier 3 (2008-) - RS22 - 110

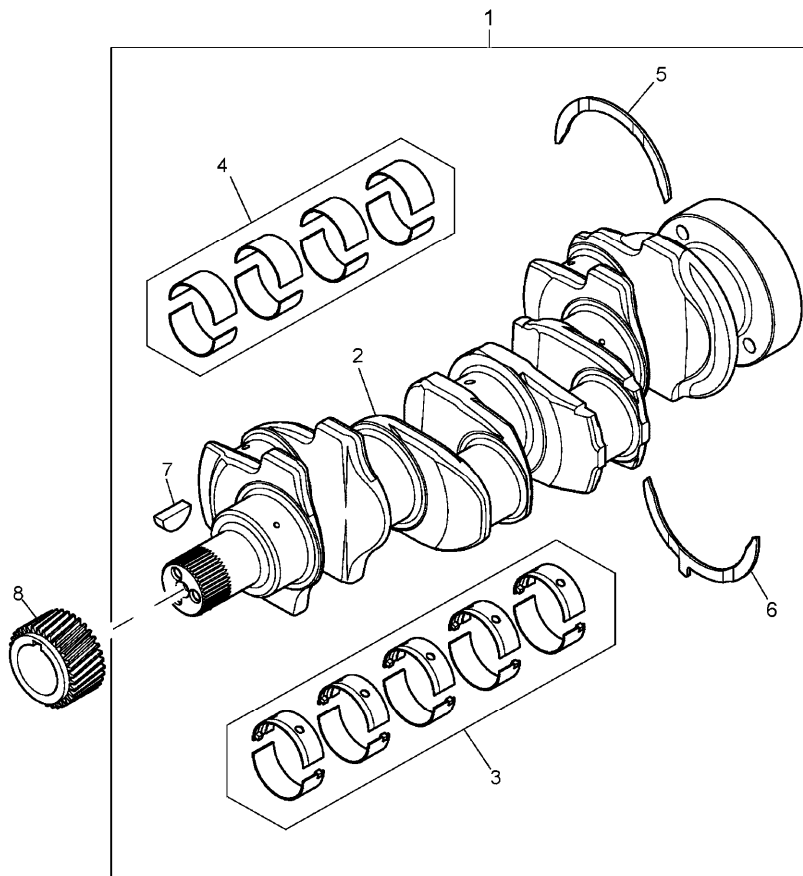
RS22\000015073.png

A-05
04



A0504

Camshaft



		Inglese	
1	ZZ90222	➔ U056074 t	1 Kit
		● ZZ90239(1)	
1	ZZ90237	➔ U056075 t	1 Shaft
2		! 1	1 Shaft
		➔ Ref.n.1	
3	U5MB0018	! 1	1 Kit
		➔ U056074 t	
		● U5MB0033(1)	
		T-A 15:0	
3	U5MB0018A	! 1	1 Kit
		⚡ 0.010"	
		➔ U056074 t	
		● U5MB0033A(1)	
		T-A 15:0	
3	U5MB0018B	! 1	1 Kit
		⚡ 0.020"	
		➔ U056074 t	
		● U5MB0033B(1)	
		T-A 15:0	
3	U5MB0018C	! 1	1 Kit
		⚡ 0.030"	
		➔ U056074 t	
		● N.L.A.(1)	
		T-A 15:0	
3	U5MB0033	! 1	1 Kit
		➔ U056075 t	

Engine

C-MAX Tier 3 (2008-) - RS22 - 110

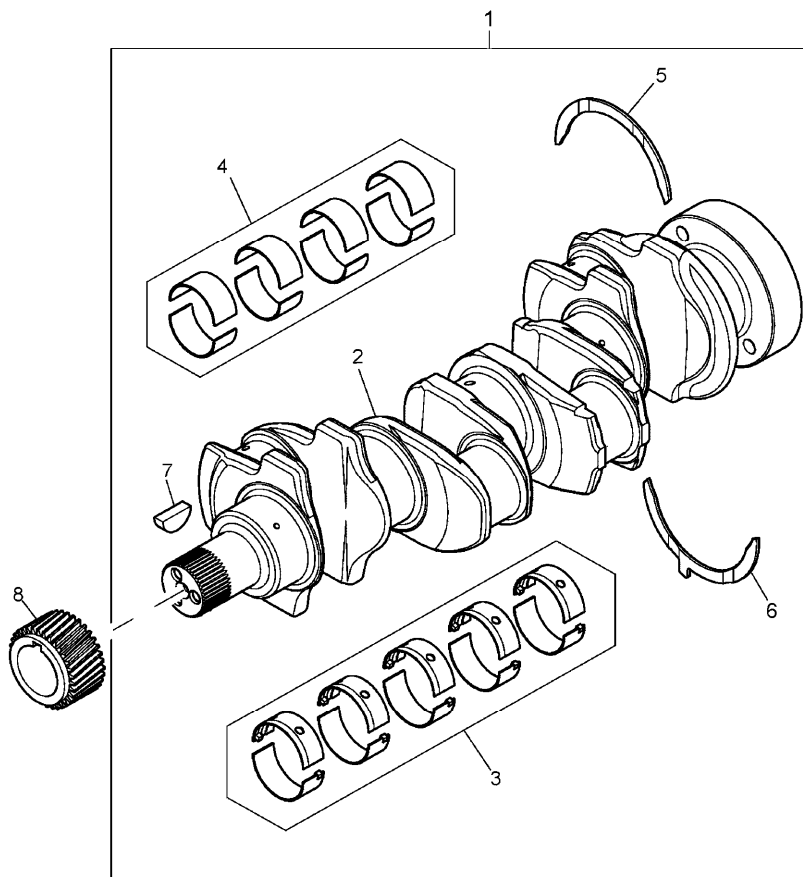
A-05
04



A0504

Camshaft

RS22\000015073.png



Inglese

3	U5MB0033A	!	1	1 Kit
		⚡	-0,25mm	
		➔	U056075 t	
3	U5MB0033B	!	1	1 Kit
		⚡	-0,50mm	
		➔	U056075 t	
3	U5MB0033C	!	1	1 Kit
		⚡	-0,75mm	
		➔	U056075 t	
		●	N.L.A.(1)	
4	T400002	!	1	1 Kit
		➔	U056075 t	
		●	T410927(1)	
4	U5ME0026	!	1	1 Kit
		➔	U056074 t	
		●	U5ME0034(1)	
4	U5ME0026A	!	1	1 Kit
		⚡	0.25mm	
		➔	U056074 t	
		●	U5ME0034A(1)	
4	U5ME0026B	!	1	1 Kit
		⚡	0.50mm	
		➔	U056074 t	
		●	U5ME0034B(1)	

Engine

C-MAX Tier 3 (2008-) - RS22 - 110

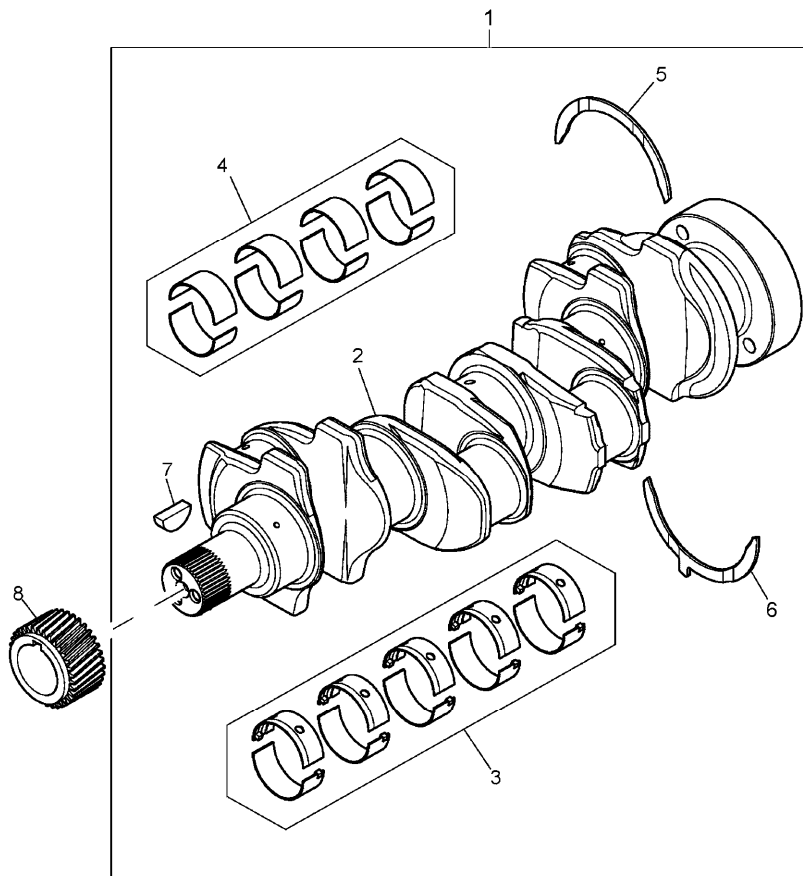
RS22\000015073.png

A-05
04



A0504

Camshaft



		Inglese	
4	U5ME0026C	! 1	1 Kit
		✂ 0.75mm	
		➔ U056074 t	
		● U5ME0034C(1)	
5	31137312	! 1	2 Ring
		✂ 0.007"	
		T-A 15:0	
5	31137551	! 1	2 Washer
		T-A 15:0	
6	31137322	! 1	2 Ring
		✂ 0.007"	
		T-A 15:0	
6	31137561	! 1	2 Washer
		T-A 15:0	
7	0500012	! 1	1 Key
		T-A 10:0	
8	3117C221	T-A 10:0	1 Gear
!	This is a component of an assembly		
➔	From serial or engine number		
➔	Up to serial or engine number		
⏏	Not serviced, order		
✂	Shim		
●	Replacement		
T-A	Replacement		

Engine

C-MAX Tier 3 (2008-) - RS22 - 110

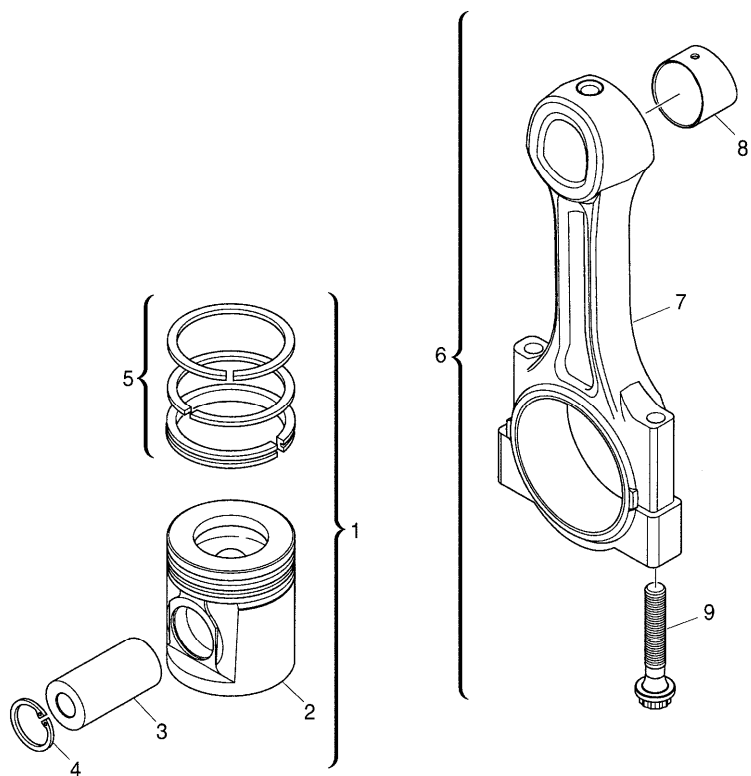
RS22\000020525.png

A-05
05



A0505

Pistons and connecting rods



		Inglese
1	U5PR0063	4 Kit
2	! 1	1 Piston
	➡ Ref.n.1	
3	! 1	1 Pin
	➡ Ref.n.1	
4	2721332 ! 1	2 Ring
5	UPRK0003 ! 1	1 Kit
	(X) 0.2.5.	
	T-A 11:25	
6	4115C311 ➡ U056074 t	4 Kit
	A	
	T-A 14:0	
6	4115C312 ➡ U056074 t	4 Kit
	B	
	T-A 14:0	
6	4115C313 ➡ U056074 t	4 Kit
	C	
	T-A 14:0	
6	4115C314 ➡ U056074 t	4 Kit
	D	
	T-A 14:0	
6	4115C315 ➡ U056074 t	4 Kit
	E	
	T-A 14:0	

Engine

C-MAX Tier 3 (2008-) - RS22 - 110

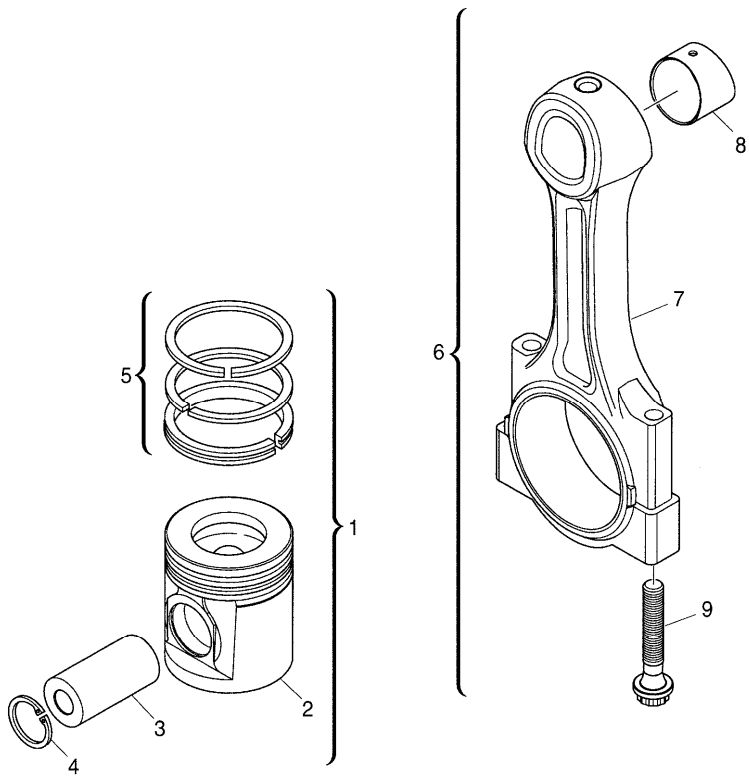
RS22\000020525.png

A-05
05



A0505

Pistons and connecting rods



		Inglese	
6	4115C316	➡ U056074 t F T-A 14:0	4 Kit
6	4115C361	➡ U056075 t A	4 Conrod
6	4115C362	➡ U056075 t B	4 Conrod
6	4115C363	➡ U056075 t C	4 Conrod
6	4115C364	➡ U056075 t D	4 Conrod
6	4115C365	➡ U056075 t E	4 Conrod
6	4115C366	➡ U056075 t F	4 Conrod
7		! 6 ➡ Ref.n.6	1 Conrod
8	3112A005	! 6 T-A 14:0	1 Bush
9	3212V003	! 6	2 Screw
9	T400001	! 6 ➡ U056074 t ➡ U056075 t	2 Screw

- ! This is a component of an assembly
- ➡ From serial or engine number
- ➡ Up to serial or engine number
- ➡ Not serviced, order

Engine

C-MAX Tier 3 (2008-) - RS22 - 110

RS22\000020525.png

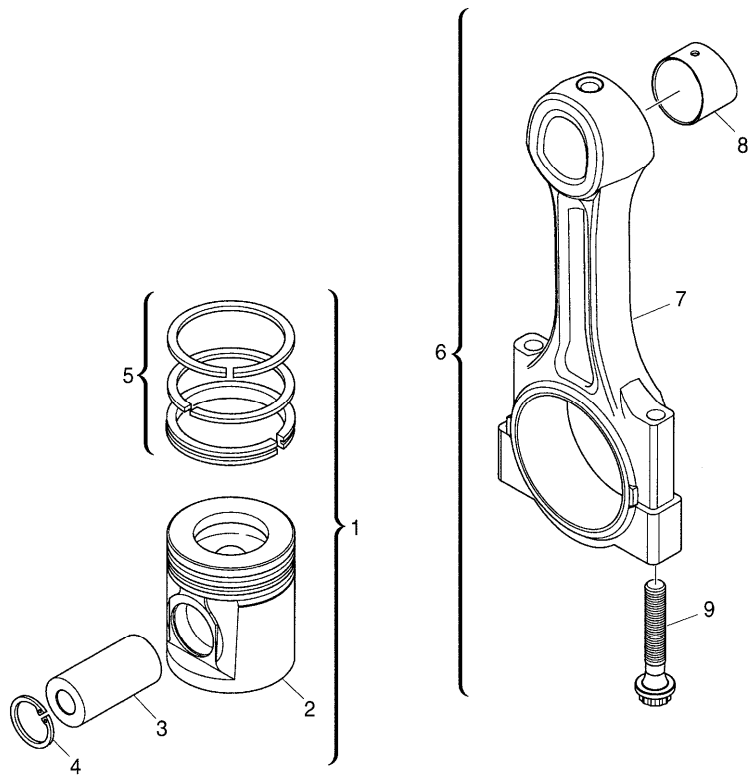
A-05
05



A0505

Pistons and connecting rods

- (X) Qty per tractors sold (aa.bbb.ccc.ddd) (aa) for 1,(bbb) 2-10 (ccc) 11-25 (ddd) 26-50
- T-A Replacement
- A Red
- B Orange
- C White
- D Green
- E Purple
- F Blue



Engine

C-MAX Tier 3 (2008-) - RS22 - 110

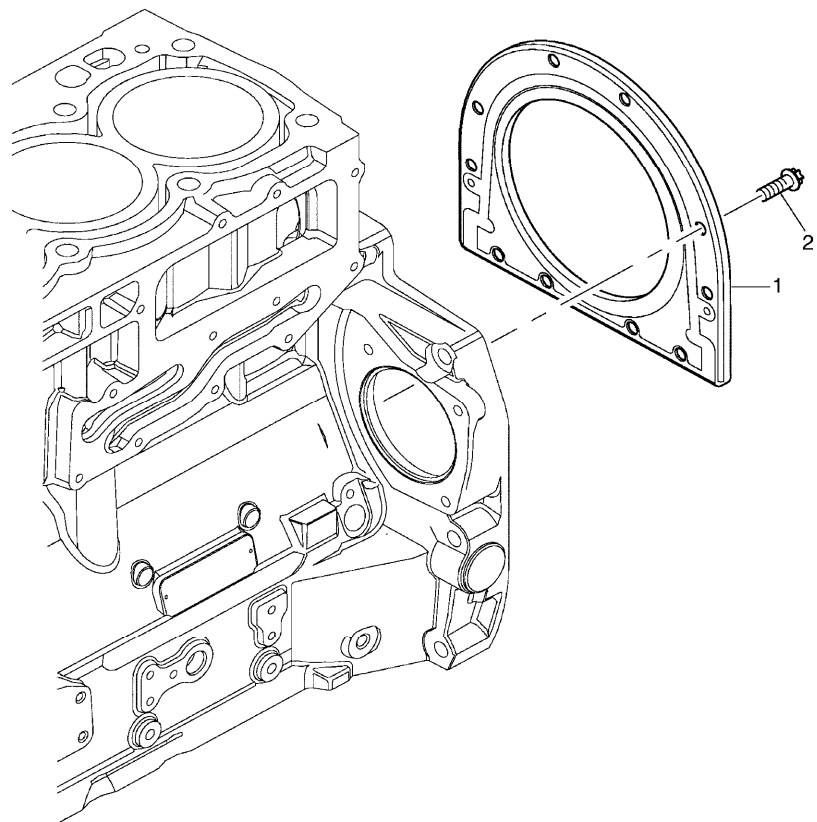
RS22\000015074.png

A-05
06



A0506

End cover



1 2418F704 T-A 9:0

2 3211C002

T-A Replacement

Inglese

1 Housing

10 Screw

Engine

C-MAX Tier 3 (2008-) - RS22 - 110

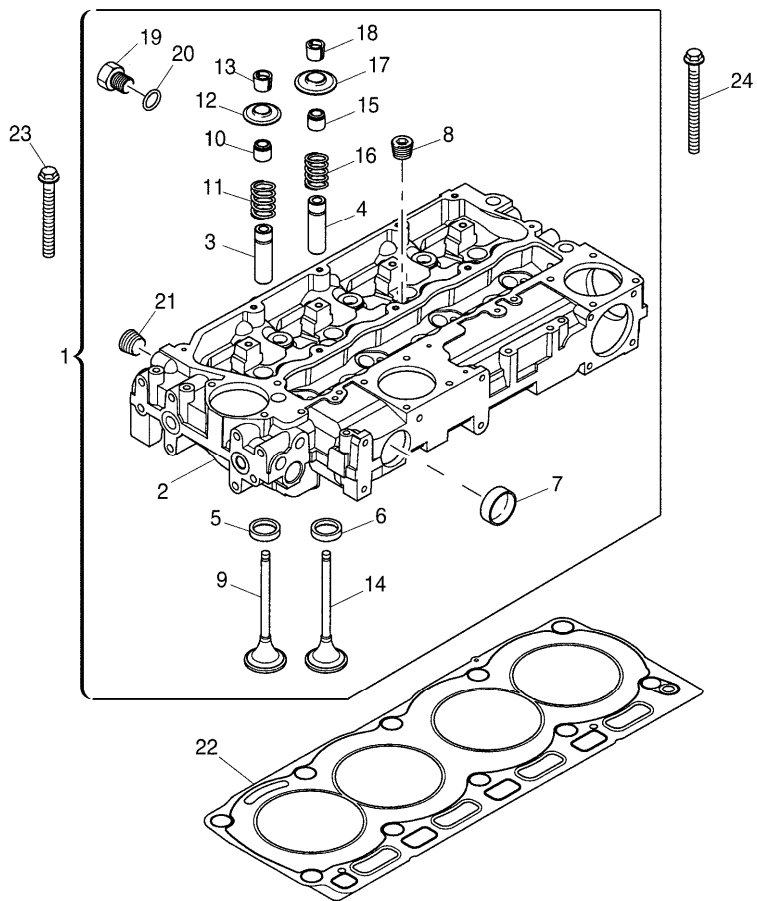
**A-05
07**



A0507

Cylinder head

RS22\000020527.png



1 ZZ80280

2 ! 1

➡ Ref.n.1

3 3313A012 ! 1

4 3313A012 ! 1

5 3314A221 ! 1

6 3314A231 ! 1

7 32416117 ! 1

8 0650588 ! 1

9 3142H101 ! 1

10 2418M519 ! 1

A

11 3174A031 ! 1

● T417479(4)

12 3342A021 ! 1

13 2714A002 ! 1

14 3142A171 ! 1

15 2418M517 ! 1

B

16 3174A031 ! 1

● T417479(4)

17 3342A021 ! 1

18 2714A002 ! 1

19 3278A006 ! 1

20 2415H003 ! 1

Inglese

1 Cylinder head

1 Kit

4 Insert

4 Insert

4 Insert

4 Insert

2 Plug

4 Plug

4 Valve

4 Ring

4 Spring

4 Coperch.

8 Collar

4 Valve

4 Ring

4 Spring

4 Coperch.

8 Collar

1 Plug

1 Ring

Engine

C-MAX Tier 3 (2008-) - RS22 - 110

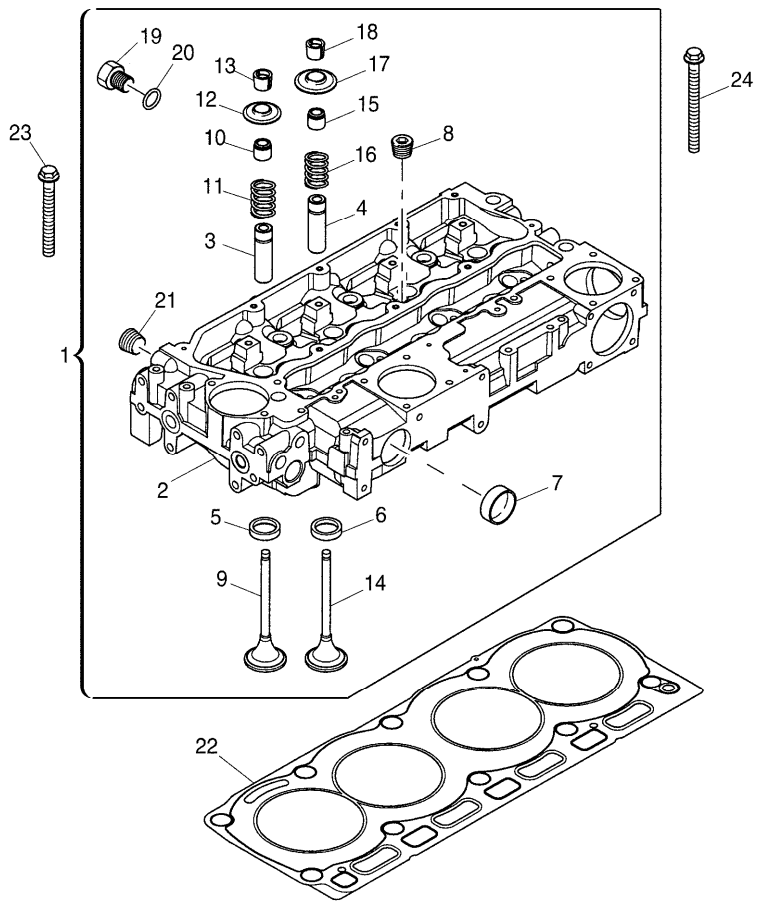
A-05
07



A0507

Cylinder head

RS22\000020527.png



21 2431154 ! 1

22 3681E051

23 3218A011

24 3218A012

! This is a component of an assembly

🔧 Not serviced, order

⬤ Replacement

A Green

B Brown

Inglese

2 Plug

1 Gasket

7 Screw

3 Screw

Engine

C-MAX Tier 3 (2008-) - RS22 - 110

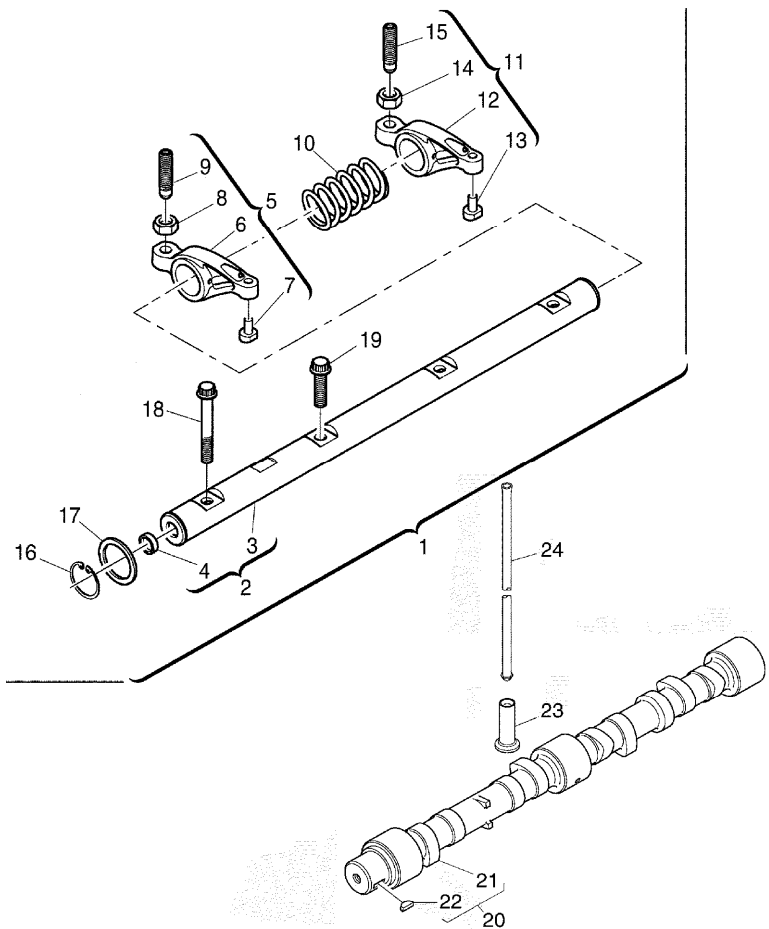
RS22\000015075.png

A-05
08



A0508

Rocker shaft



			Inglese
1	4115R613		1 Axle
2	4115R703	! 1	1 Shaft
		T-A 4:0	
3		! 2	1 Axle
		➡ Ref.n.2	
4	2485A104	! 2	2 Plug
5	4115R319	! 1	4 Lever
6		! 5	1 Rocker
		➡ Ref.n.5	
7		! 5	1 Pad
		➡ Ref.n.5	
8	3331A006	! 5	1 Nut
9	3211C004	! 5	1 Screw
10	3174A015	! 1	3 Spring
		T-A 4:0	
11	4115R318	! 1	4 Lever
12		! 11	1 Rocker
		➡ Ref.n.11	
13		! 11	1 Pad
		➡ Ref.n.11	
14	3331A006	! 11	1 Nut
15	3211C004	! 11	1 Screw
16	2722A022	! 1	2 Ring
17	2134A502	! 1	2 Washer
18	2316A901	! 1	1 Screw

Engine

C-MAX Tier 3 (2008-) - RS22 - 110

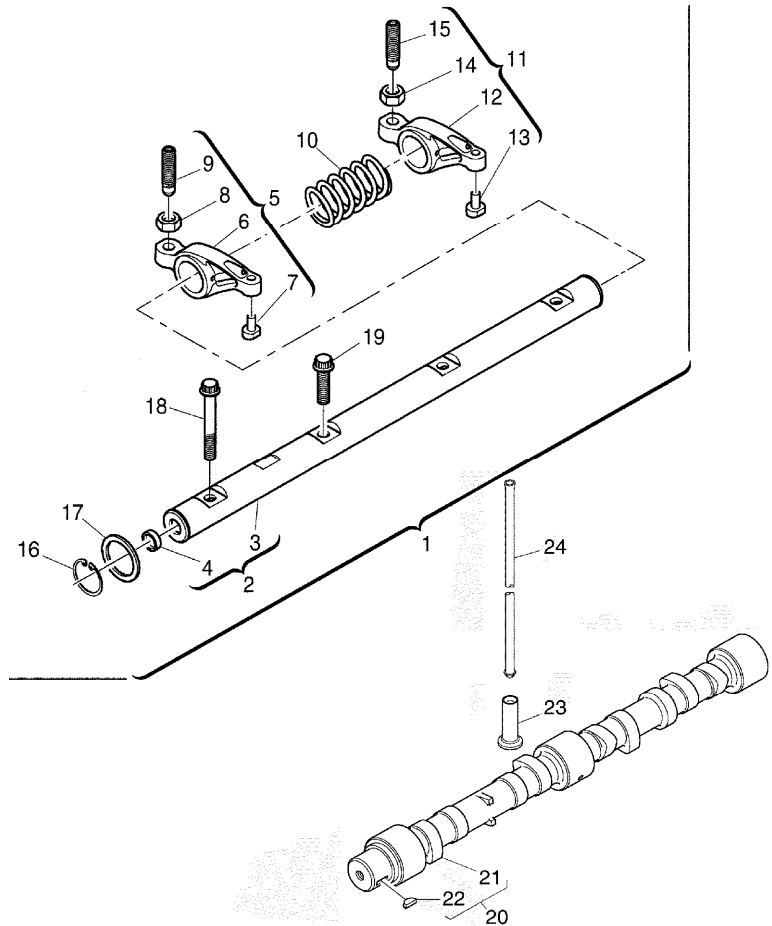
RS22\000015075.png

A-05
08



A0508

Rocker shaft



Inglese

19	2316A902	!	1	3	Screw
20	4112K076	●	4112K078(1)	1	Shaft
21		!	20	1	Shaft
		➡	Ref.n.20		
22	0500012	!	20	1	Key
23	3142U061			8	Tappet
24	3142V011			8	Rod

- ! This is a component of an assembly
- ➡ Not serviced, order
- Replacement
- T-A Replacement

Engine

C-MAX Tier 3 (2008-) - RS22 - 110

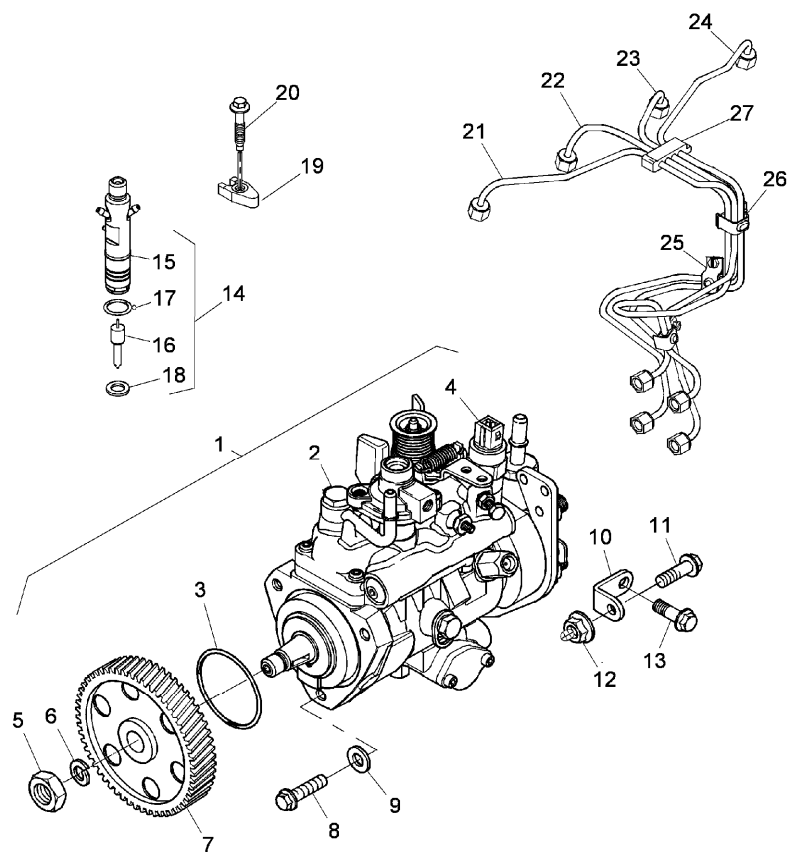
**A-05
09**



A0509

Fuel injection equipment (diesel)

RS22\00007943.png



		Inglese
1	2644C347/22	1 Pump
2	! 1	1 Pump
	➡ Ref.n.1	
3	26420318 ! 1	1 Ring
	T-A 4:50	
4	26420469 ! 1	1 Solenoid
	12v	
	(X) 1.2.5.	
	T-A 0:25	
5	2318A108 ! 1	1 Nut
6	K134AF01 ! 1	1 Washer
7	3117L261	1 Gear
8	2314H004	3 Screw
9	2411D008	3 Washer
10	3641A007	1 Stirrup
11	2314H003	1 Screw
12	2318A603	1 Nut
13	2314J002	1 Screw
14	2645K025	4 Nozzle
15	! 14	1 Support
	➡ Ref.n.14	
16	! 14	1 Nozzle
	➡ Ref.n.14	
17	26460064 ! 14	1 Ring
18	L311FF02 ! 14	1 Washer

Engine

C-MAX Tier 3 (2008-) - RS22 - 110

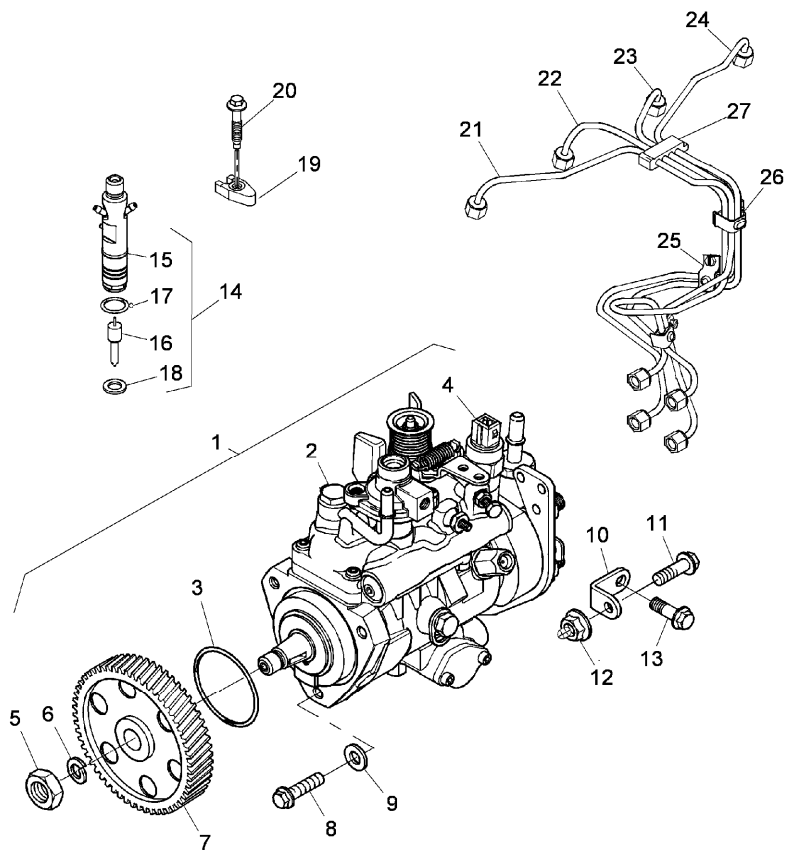
A-05
09



A0509

Fuel injection equipment (diesel)

RS22\00007943.png



Inglese

- 19 3751A241
- 20 2314W009
- 21 3525A101
- 22 3525A102
- 23 3525A103
- 24 3525A104
- 25 2481Y011
- 26 2481Y012
- 27 2646E019

- 4 Clamp
- 4 Screw
- 1 Pipe
- 1 Pipe
- 1 Pipe
- 1 Pipe
- 2 Clip
- 1 Clip
- 1 Clip

! This is a component of an assembly

Not serviced, order

(X) Qty per tractors sold (aa.bbb.ccc.ddd) (aa) for 1,(bbb) 2-10 (ccc) 11-25 (ddd) 26-50

T-A Replacement

Engine

C-MAX Tier 3 (2008-) - RS22 - 110

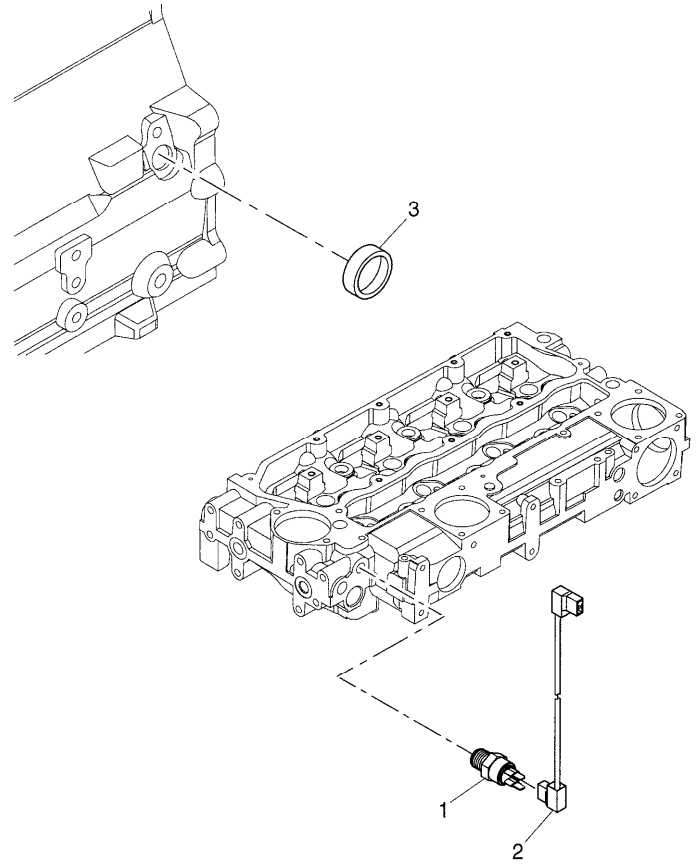
RS22\000020530.png

A-05
10



A0510

Sensor pickup



- 1 2848A123 A
- 2 3161C017
- 3 2485A109
- A Water temperature

Inglese

- 1 Sensor
- 1 Cable
- 1 Plug

Engine

C-MAX Tier 3 (2008-) - RS22 - 110

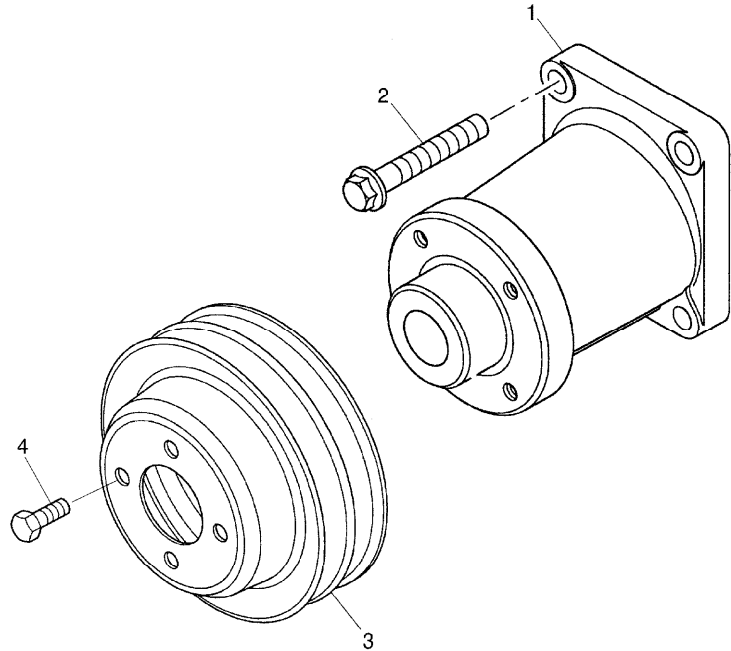
RS22\000015079.png

A-05
11



A0511

Fan-type pulley



- 1 4113K005 T-A 1:75
 - 2 2314J005
 - 3 3115C161
 - 4 2314C044
- T-A Replacement

Inglese

- 1 Housing
- 4 Screw
- 1 Pulley
- 4 Screw

Engine

C-MAX Tier 3 (2008-) - RS22 - 110

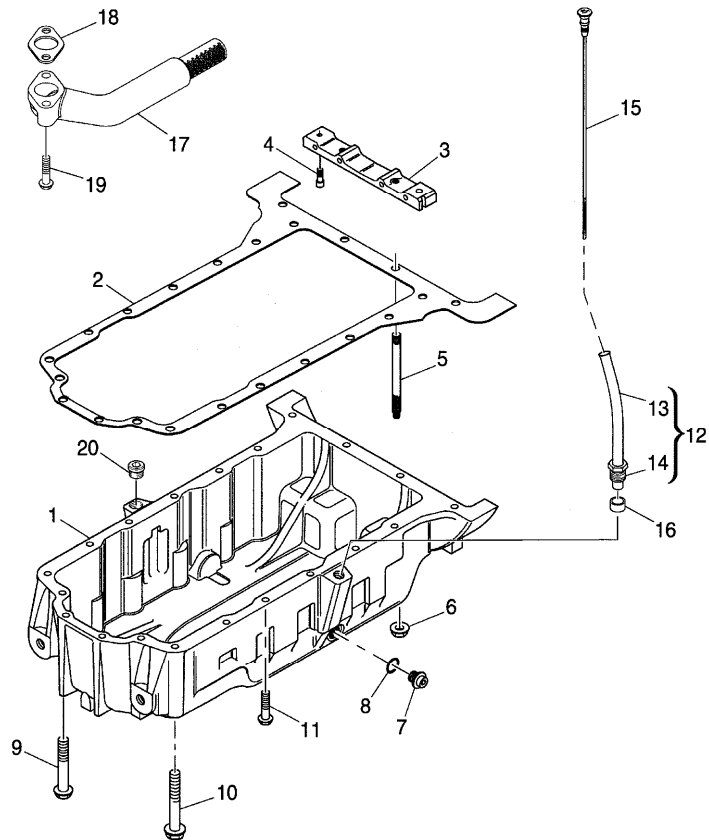
RS22\000014129.png

A-05
12



A0512

Lubricating oil sump



1	3717E271		
2	3681K036	(X)	1.2.5.
		T-A	1:50
3	3627P041	T-A	1:50
4	2311D039		
5	3211P013		
6	2318A603		
7	32186405	T-A	0:25
8	2415715	T-A	0:25
9	2314H023		
10	2314H022	●	2314H052(1)
11	2314H015		
12	3577A125	T-A	0:25
13		!	12
		▶	Ref.n.12
14	3353D005	!	12
15	3178C081	T-A	0:25
16	33812116		
17	3765A091	T-A	1:75
18	36832137	T-A	1:75
19	2314H006		
20	2431A016		

Inglese

1	Crankcase
1	Gasket
1	Crosspiece
2	Screw
2	Stud
2	Nut
2	Plug
2	Ring
5	Screw
1	Screw
12	Screw
1	Pipe
1	Pipe
1	Nut
1	Rod
1	Olive
1	Pipe
1	Gasket
2	Screw
1	Plug

- ! This is a component of an assembly
- ▶ Not serviced, order
- Replacement

Engine

C-MAX Tier 3 (2008-) - RS22 - 110

A-05
12

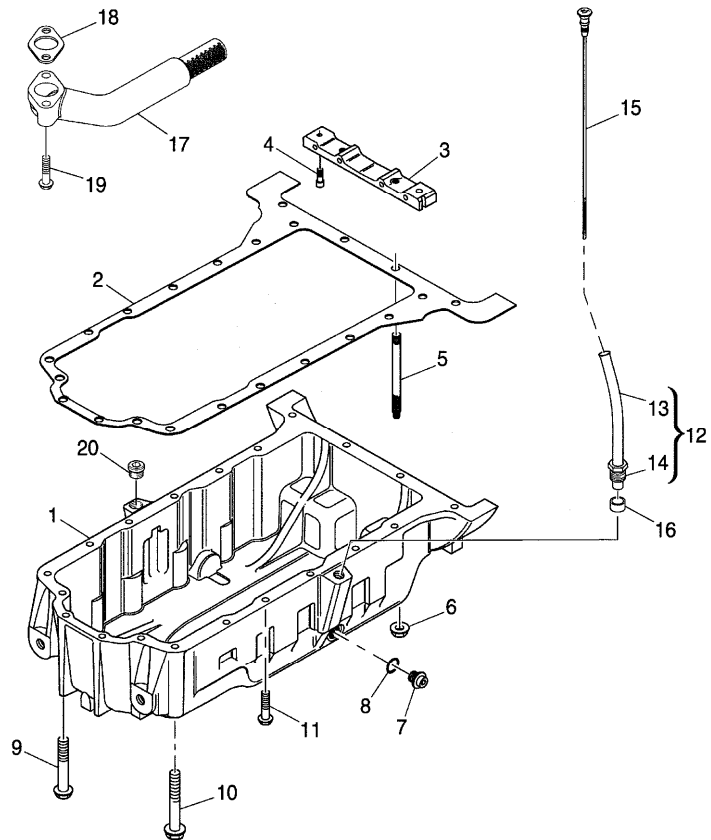


A0512

Lubricating oil sump

RS22\000014129.png

(X) Qty per tractors sold (aa.bbb.ccc.ddd) (aa) for 1,(bbb) 2-10 (ccc) 11-25 (ddd) 26-50
T-A Replacement





Suggest:

For more complete manuals. Please go to the home page.

<https://www.ebooklibonline.com>

If the above button click is invalid. Please download this document first, and then click the above link to download the complete manual.

Thank you so much for reading

Engine

C-MAX Tier 3 (2008-) - RS22 - 110

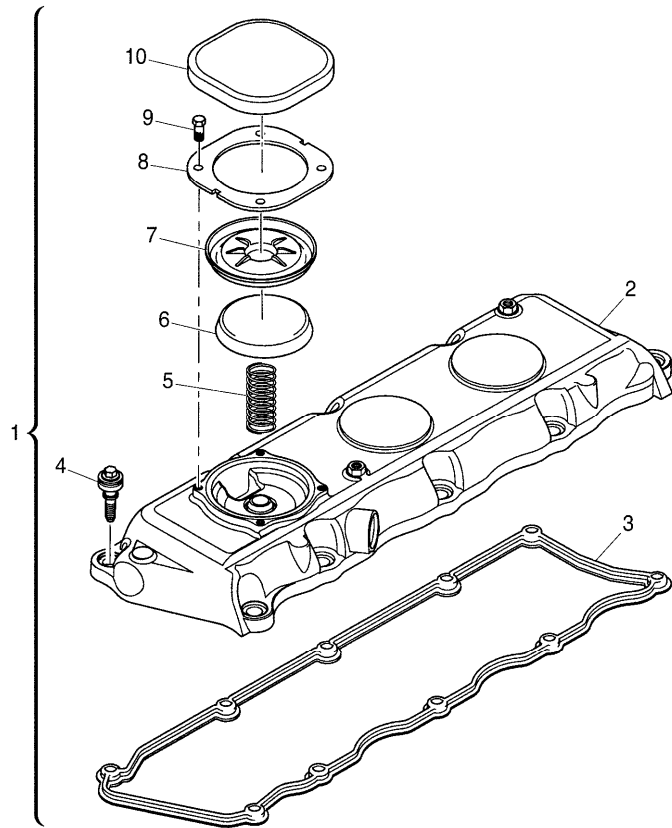
RS22\000020533.png

**A-05
13**



A0513

Cylinder head cover



		Inglese	
1	4142X325	● T417478(1)	1 Coperch.
2		! 1	1 Cover
3	3681A055	▣ Ref.n.1	1 Gasket
4	2161A013	(X) 1.2.5. ! 1 T-A 1:0	10 Screw
5	3174A017	! 1 T-A 0:25	1 Spring
6	3788A002	! 1 T-A 0:25	1 Cap
7	3789A001	! 1 T-A 0:25	1 Diaphragm
8	3615A009	! 1 T-A 0:25	1 Plate
9	2151A001	! 1	4 Screw
10	3788A003	! 1 T-A 0:25	1 Cap
		! This is a component of an assembly	
		▣ Not serviced, order	
		● Replacement	
		(X) Qty per tractors sold (aa.bbb.ccc.ddd) (aa) for 1,(bbb) 2-10 (ccc) 11-25 (ddd) 26-50	
		T-A Replacement	

Engine

C-MAX Tier 3 (2008-) - RS22 - 110

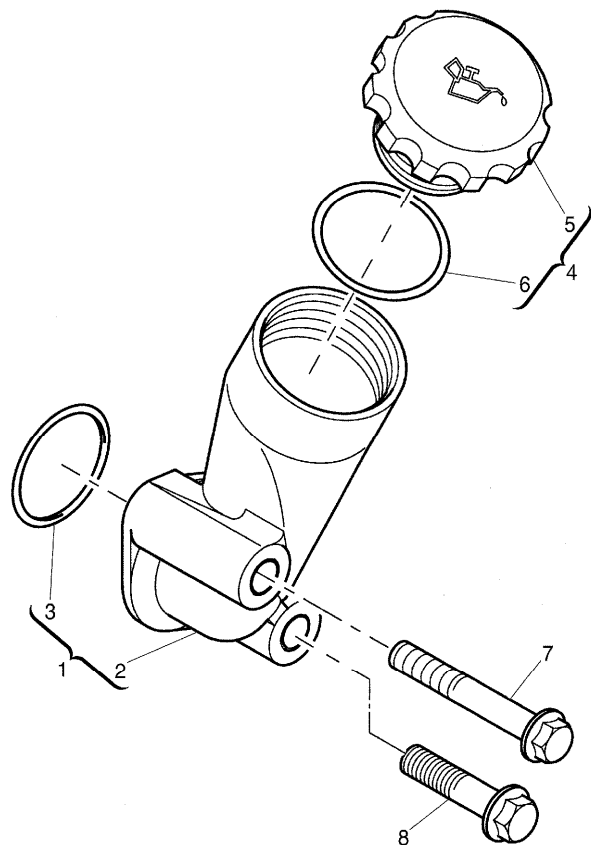
RS22\000020589.png

A-05
14



A0514

Filler



				Inglese
1	4134C073	T-A 0:25		1 Filler
2		! 1		1 Body
		➡ Ref.n.1		
3	2415H651	! 1		1 Ring
		T-A 0:25		
4	4142X098	! 1		1 Plug
		T-A 0:25		
5		! 4		1 Plug
		➡ Ref.n.4		
6	2415633	! 4		1 O ring
		T-A 0:25		
7	2314K161			1 Screw
8	2314H008			1 Screw
!	This is a component of an assembly			
➡	Not serviced, order			
T-A	Replacement			

<https://www.ebooklibonline.com>

Hello dear friend!

Thank you very much for reading.

Enter the link into your browser.

The full manual is available for immediate download.

<https://www.ebooklibonline.com>