

Engine

C-MAX Tier 3 (2008-) - RS22 - 105

RS22\00005170.png

A-05
01



A0501

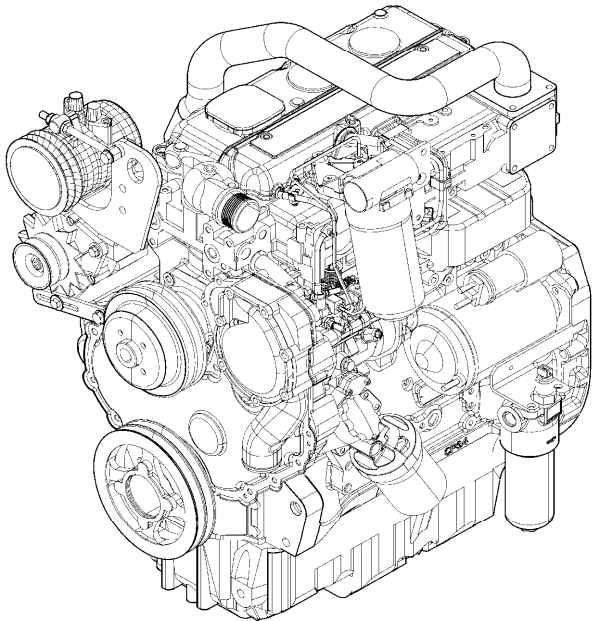
Engine assembly

Inglese

1 3692624M91

"perkins - n138965 1 Engine
72.5 kw

1



Engine

C-MAX Tier 3 (2008-) - RS22 - 105

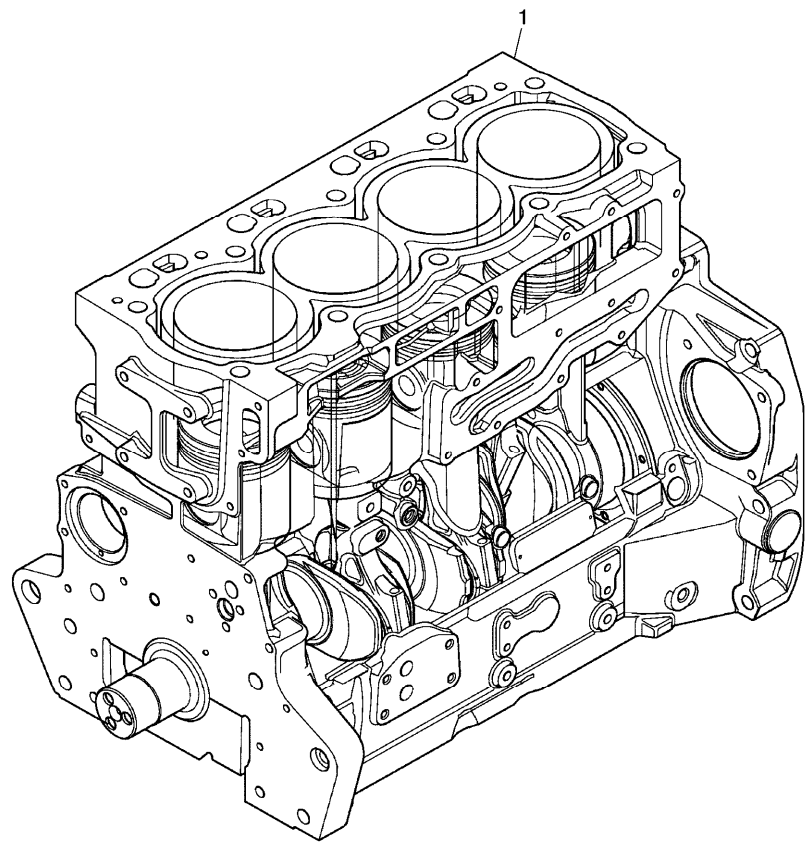
RS22\000015070.png

A-05
02



A0502

Short engine



1 NM40008

● Replacement

● 3115A141(1),
32186146(3), NM4

Inglese

1 Short engine

Engine

C-MAX Tier 3 (2008-) - RS22 - 105

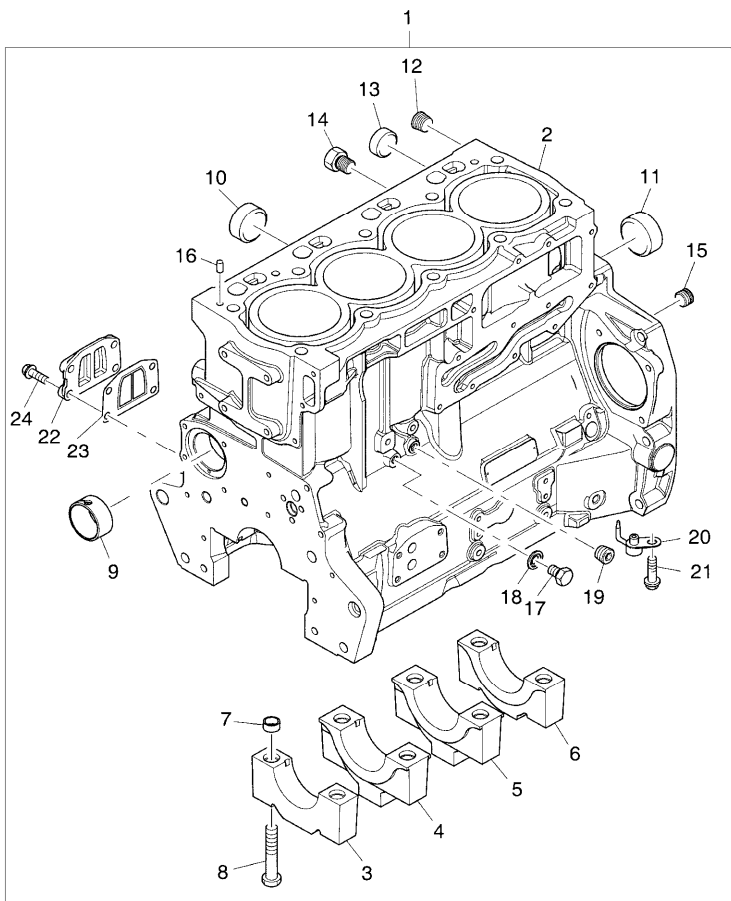
**A-05
03**



A0503

Cylinder block

RS22\000015072.png



			Inglese
1	👁	A-05 02 01	1 Kit
2	!	1	1 Cylinder block
3	➡	Ref.n.1	1 Bearing
4	!	1	2 Bearing
5	➡	Ref.n.1	1 Bearing
6	!	1	1 Bearing
7	➡	Ref.n.1	10 Manicott
8	!	1	10 Screw
9	!	1	1 Bush
	●	3112D075(1)	
10	!	1	2 Plug
11	!	1	1 Plug
12	!	1	1 Plug
13	!	1	1 Plug
14	!	1	1 Plug
15	!	1	1 Plug
16	!	1	2 Dowel
17	!	1	1 Screw
18	!	1	1 Washer
19	!	1	1 Plug

<https://www.ebooklibonline.com>

Hello dear friend!

Thank you very much for reading.

Enter the link into your browser.

The full manual is available for immediate download.

<https://www.ebooklibonline.com>

Engine

C-MAX Tier 3 (2008-) - RS22 - 105

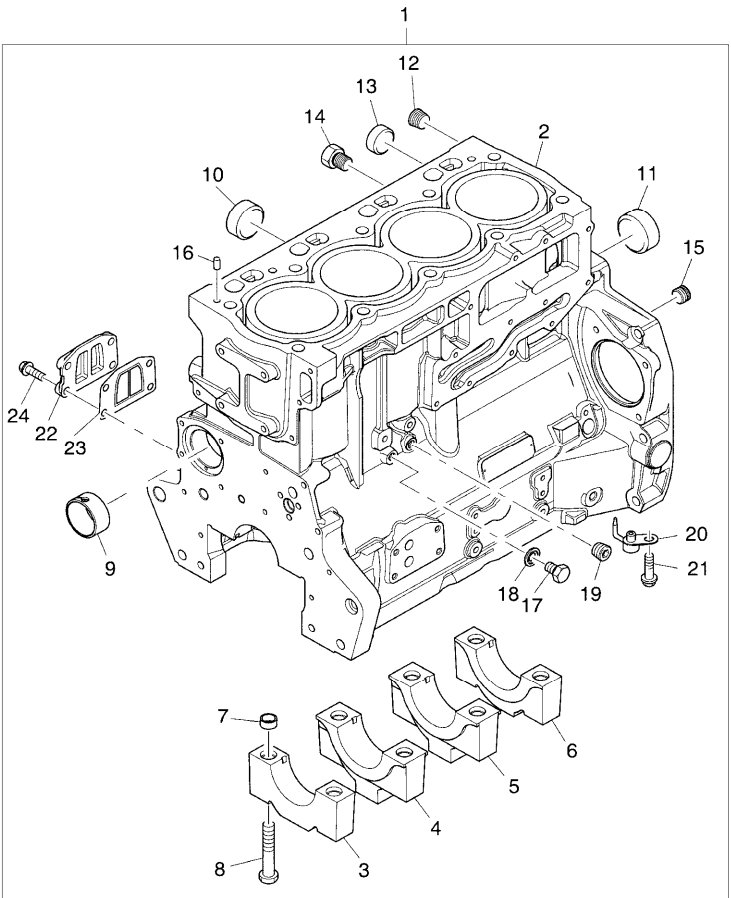
A-05
03



A0503

Cylinder block

RS22\000015072.png



				Inglese	
20	2113A003	!	1	4	Atomiser
21	2314F001	!	1	4	Screw
22	3753A071	!	1	1	Coperch.
23	3688A041	!	1	1	Ring
24	2314H034	!	1	4	Screw

- ! This is a component of an assembly
- 👁 See page - reference number
- 🔧 Not serviced, order
- Replacement

Engine

C-MAX Tier 3 (2008-) - RS22 - 105

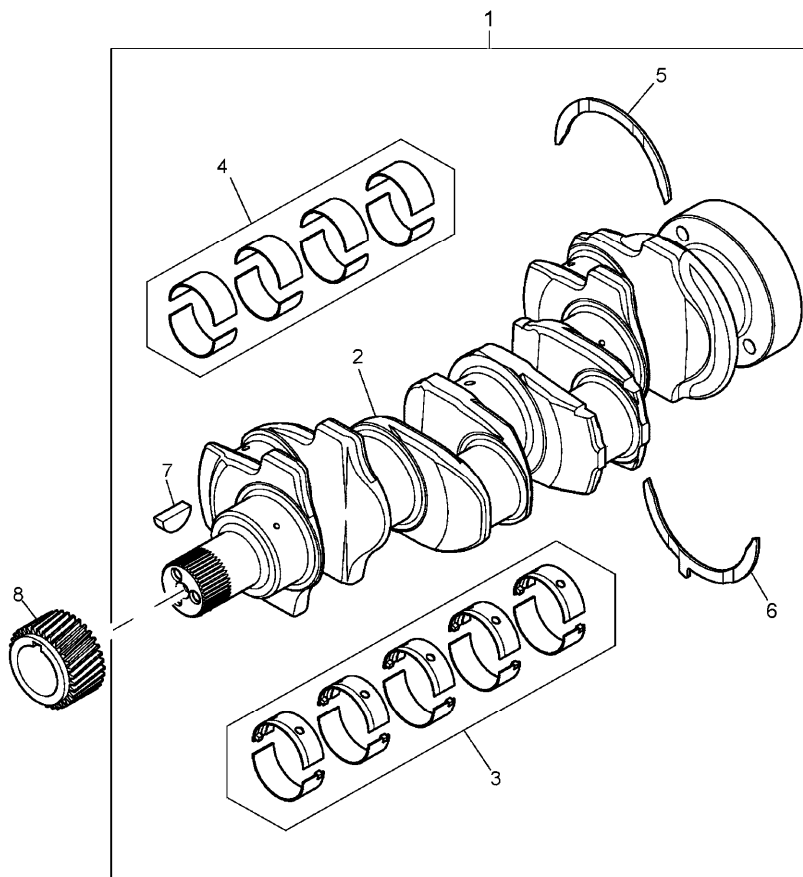
**A-05
04**



A0504

Camshaft

RS22\000015073.png



Inglese

1	ZZ90222	➔	U491476 t	1	Kit
		●	ZZ90239(1)		
		T-A	15:0		
1	ZZ90237	➔	U491477 t	1	Shaft
2		!	1	1	Shaft
		➔	Ref.n.1		
3	U5MB0018	!	1	1	Kit
		●	U5MB0033(1)		
		T-A	15:0		
3	U5MB0018A	!	1	1	Kit
		⚡	0.010"		
		●	U5MB0033A(1)		
		T-A	15:0		
3	U5MB0018B	!	1	1	Kit
		⚡	0.020"		
		●	U5MB0033B(1)		
		T-A	15:0		
3	U5MB0018C	!	1	1	Kit
		⚡	0.030"		
		●	N.L.A.(1)		
		T-A	15:0		
4	T400002	!	1	1	Kit
		➔	U491477 t		
		●	T410927(1)		

Engine

C-MAX Tier 3 (2008-) - RS22 - 105

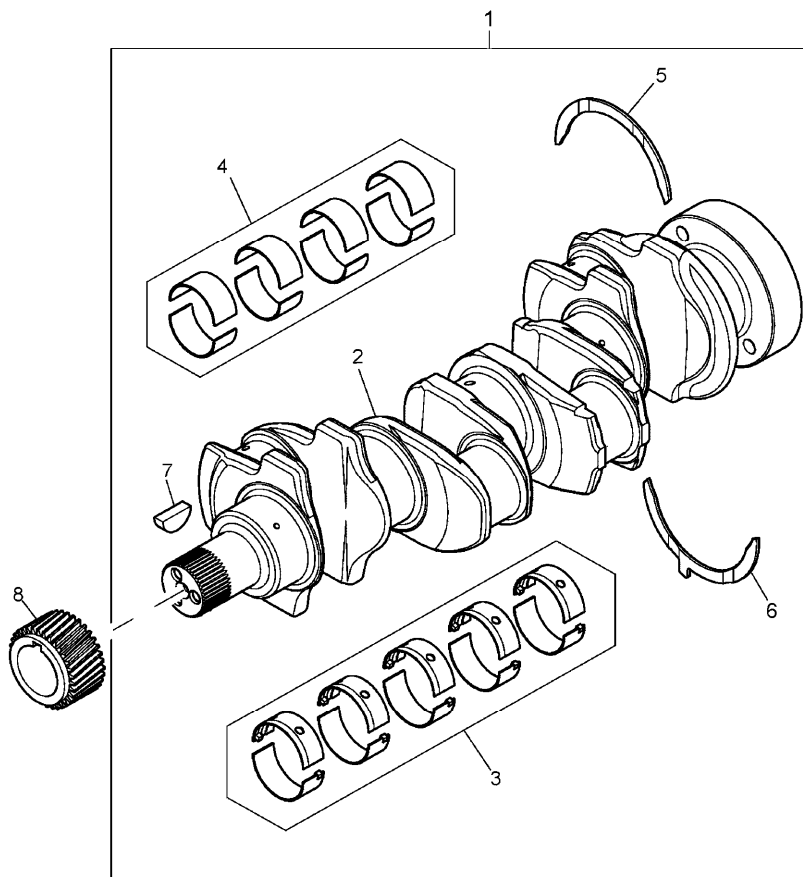
A-05
04



A0504

Camshaft

RS22\000015073.png



Inglese

4	U5ME0026	!	1	1 Kit
		➔	U491476 t	
		●	U5ME0034(1)	
4	U5ME0026A	!	1	1 Kit
		⊗	0.25mm	
		➔	U491476 t	
		●	U5ME0034A(1)	
4	U5ME0026B	!	1	1 Kit
		⊗	0.50mm	
		➔	U491476 t	
		●	U5ME0034B(1)	
4	U5ME0026C	!	1	1 Kit
		⊗	0.75mm	
		➔	U491476 t	
		●	U5ME0034C(1)	
5	31137312	!	1	2 Ring
		⊗	0.007"	
		T-A	15:0	
5	31137551	!	1	2 Washer
		T-A	15:0	
6	31137322	!	1	2 Ring
		⊗	0.007"	
		T-A	15:0	
6	31137561	!	1	2 Washer
		T-A	15:0	

Engine

A-05
04

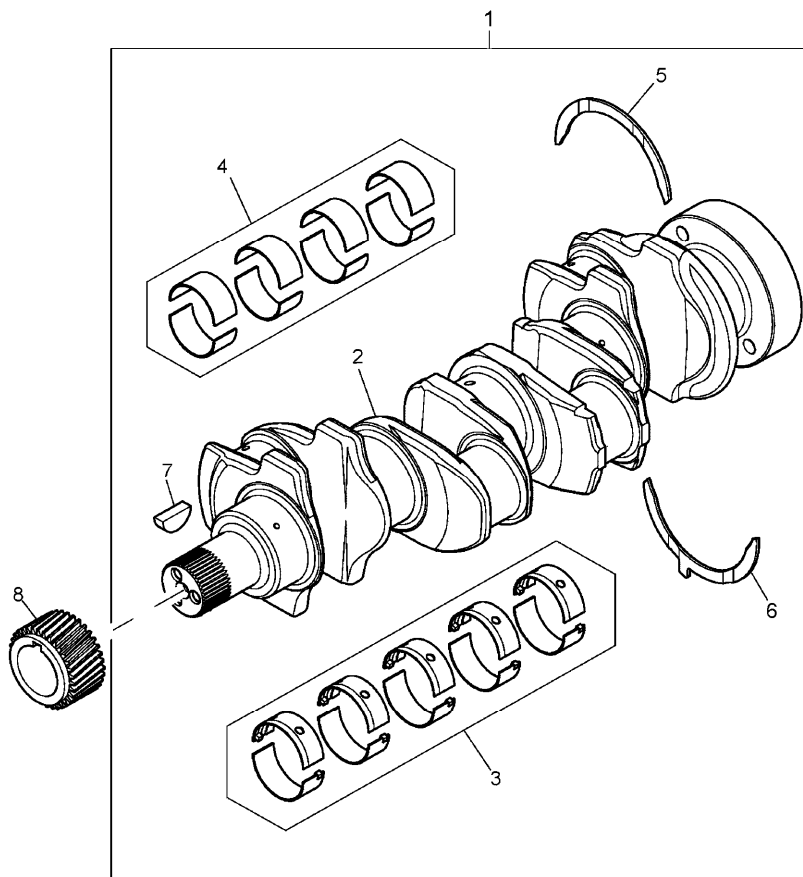
Camshaft

C-MAX Tier 3 (2008-) - RS22 - 105



A0504

RS22\000015073.png



Inglese

7 0500012 ! 1 1 Key

T-A 10:0

8 3117C221 T-A 10:0 1 Gear

! This is a component of an assembly

➔ From serial or engine number

➔ Up to serial or engine number

⊔ Not serviced, order

⊔ Shim

● Replacement

T-A Replacement

Engine

C-MAX Tier 3 (2008-) - RS22 - 105

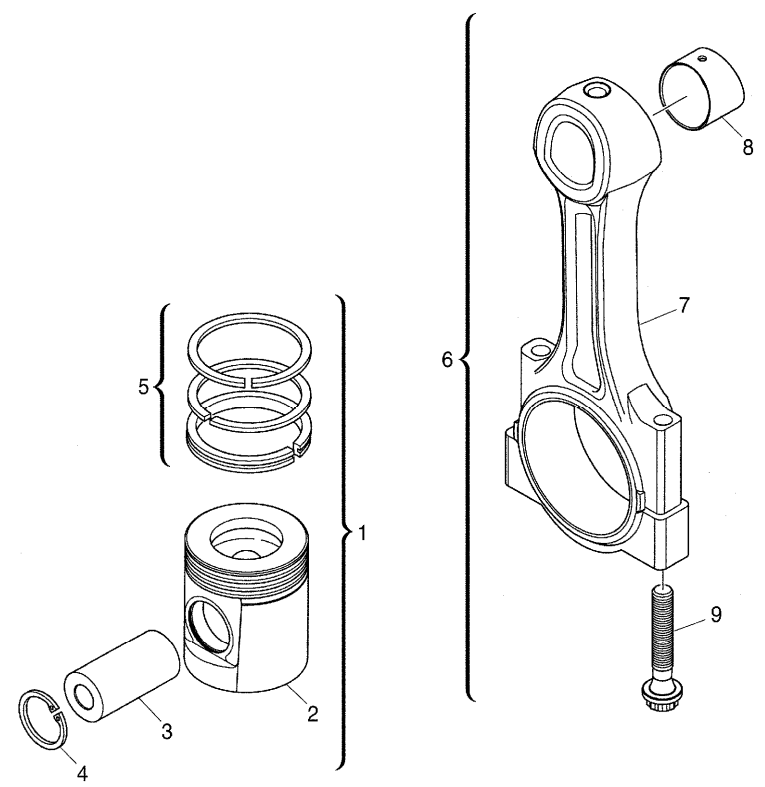
A-05
05



A0505

Pistons and connecting rods

RS22\000020562.png



			Inglese
1	U5PR0062	Std	4 Kit
1	U5PR0062B	+0,5 mm	4 Kit
2		! 1	1 Piston
		➡ Ref.n.1	
3		! 1	1 Bush
		➡ Ref.n.1	
4	2721332	! 1	2 Ring
5	UPRK0005	! 1	1 Kit
6	4115C311	➡ U491477 t	4 Kit
		A	
		T-A 14:0	
6	4115C312	➡ U491477 t	4 Kit
		B	
		T-A 14:0	
6	4115C313	➡ U491477 t	4 Kit
		C	
		T-A 14:0	
6	4115C314	➡ U491477 t	4 Kit
		D	
		T-A 14:0	
6	4115C315	➡ U491477 t	4 Kit
		E	
		T-A 14:0	
6	4115C316	➡ U491477 t	4 Kit
		F	
		T-A 14:0	

Engine

C-MAX Tier 3 (2008-) - RS22 - 105

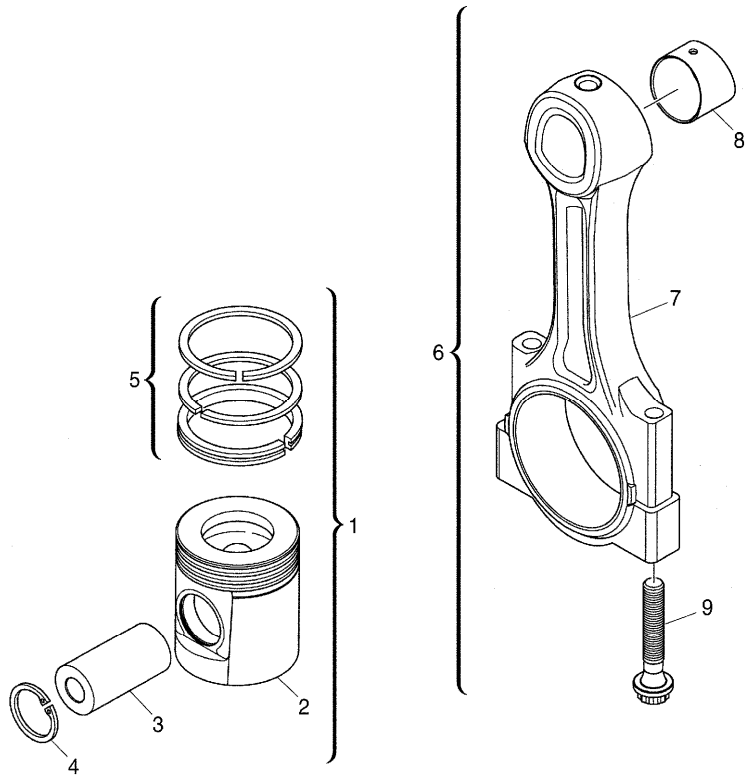
RS22\000020562.png

A-05
05



A0505

Pistons and connecting rods



			Inglese
6	4115C361	➡ U491478 t	4 Conrod
		A	
6	4115C362	➡ U491478 t	4 Conrod
		B	
6	4115C363	➡ U491478 t	4 Conrod
		C	
6	4115C364	➡ U491478 t	4 Conrod
		D	
6	4115C365	➡ U491478 t	4 Conrod
		E	
6	4115C366	➡ U491478 t	4 Conrod
		F	
7		! 6	1 Conrod
		➡ Ref.n.6	
8	3112A005	! 6	1 Bush
		T-A 14:0	
9	3212V003	! 6	2 Screw
!	This is a component of an assembly		
➡	From serial or engine number		
➡	Up to serial or engine number		
➡	Not serviced, order		
T-A	Replacement		
A	Red		
B	Orange		
C	White		
D	Green		
E	Purple		
F	Blue		

Engine

C-MAX Tier 3 (2008-) - RS22 - 105

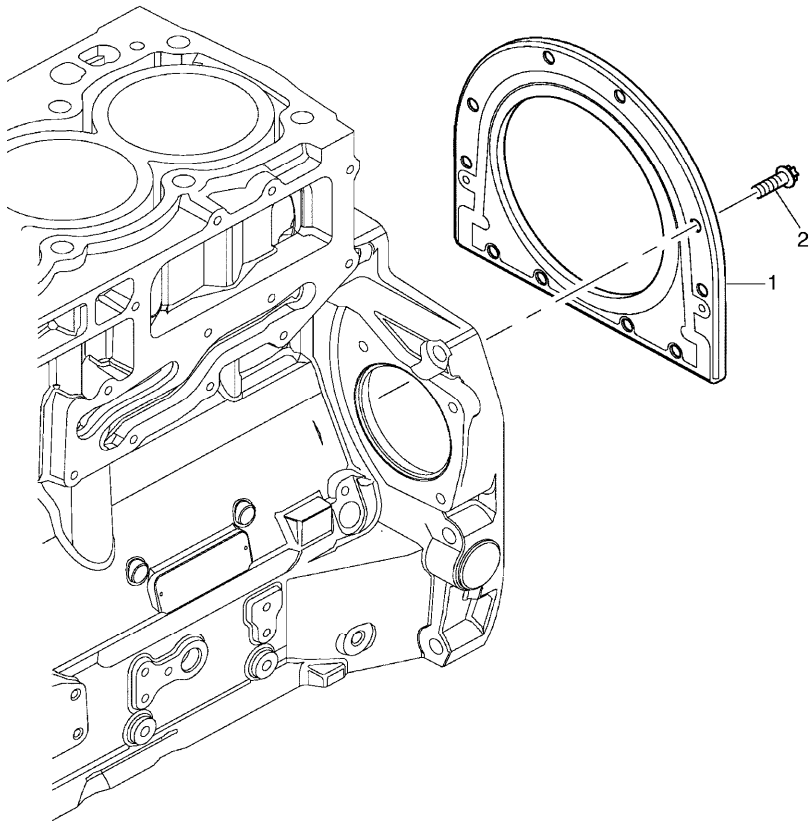
RS22\000015074.png

A-05
06



A0506

End cover



1 2418F704 T-A 9:0

2 3211C002

T-A Replacement

Inglese

1 Housing

10 Screw

Engine

C-MAX Tier 3 (2008-) - RS22 - 105

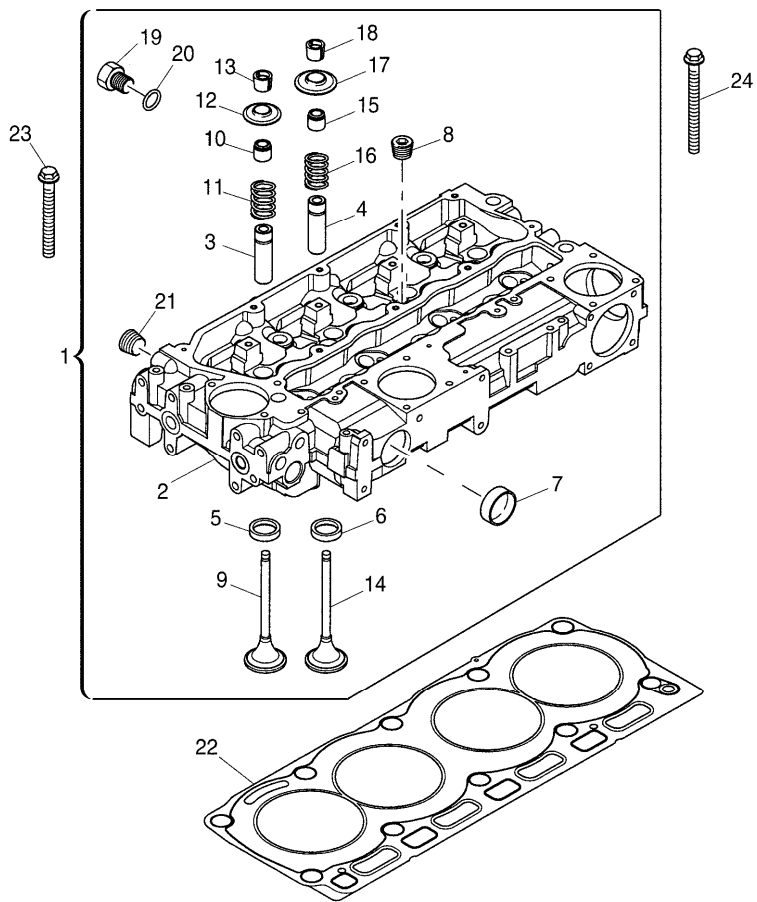
A-05
07



A0507

Cylinder head

RS22\000020527.png



21 2431154 ! 1

22 3681E051

23 3218A011

24 3218A012

! This is a component of an assembly

🔧 Not serviced, order

⬇️ Replacement

A Green

B Brown

Inglese

2 Plug

1 Gasket

7 Screw

3 Screw

Engine

C-MAX Tier 3 (2008-) - RS22 - 105

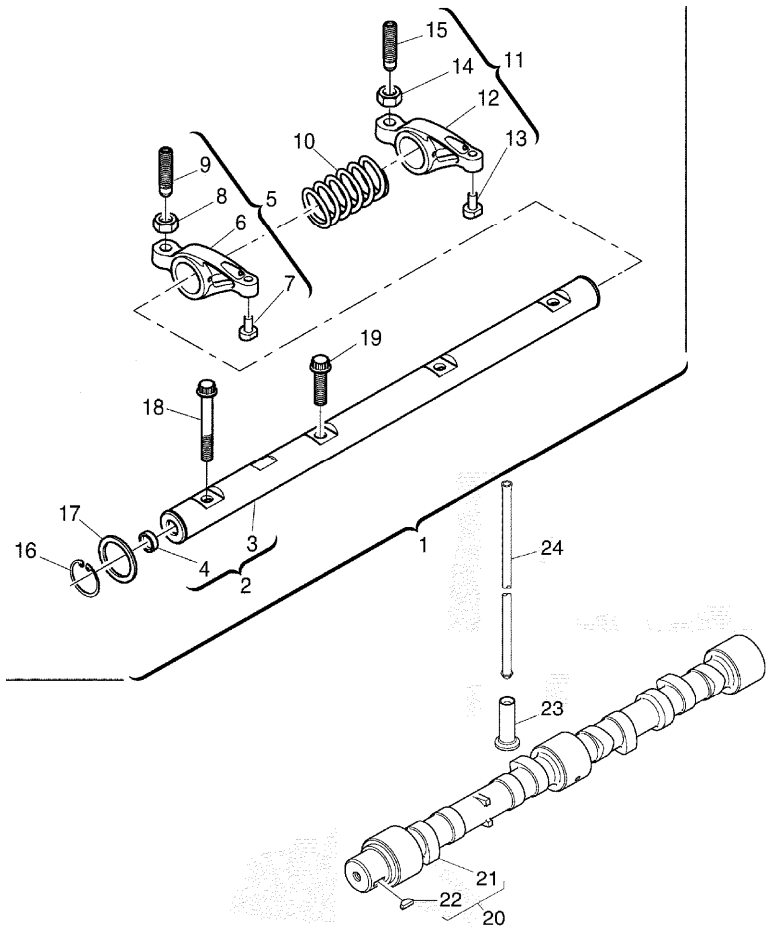
RS22\000015075.png

A-05
08



A0508

Rocker shaft



		Inglese
1	4115R613	1 Axle
2	4115R703	1 Shaft
	T-A 4:0	
3		1 Axle
	! 2	
	➡ Ref.n.2	
4	2485A104	2 Plug
5	4115R319	4 Lever
6		1 Rocker
	! 5	
	➡ Ref.n.5	
7		1 Pad
	! 5	
	➡ Ref.n.5	
8	3331A006	1 Nut
9	3211C004	1 Screw
10	3174A015	3 Spring
	! 1	
	T-A 4:0	
11	4115R315	4 Rocker
	! 1	
	T-A 4:0	
11	4115R318	4 Lever
12		1 Rocker
	! 11	
	➡ Ref.n.11	
13		1 Pad
	! 11	
	➡ Ref.n.11	
14	3331A006	1 Nut
15	3211C004	1 Screw
16	2722A022	2 Ring
	! 1	

Engine

C-MAX Tier 3 (2008-) - RS22 - 105

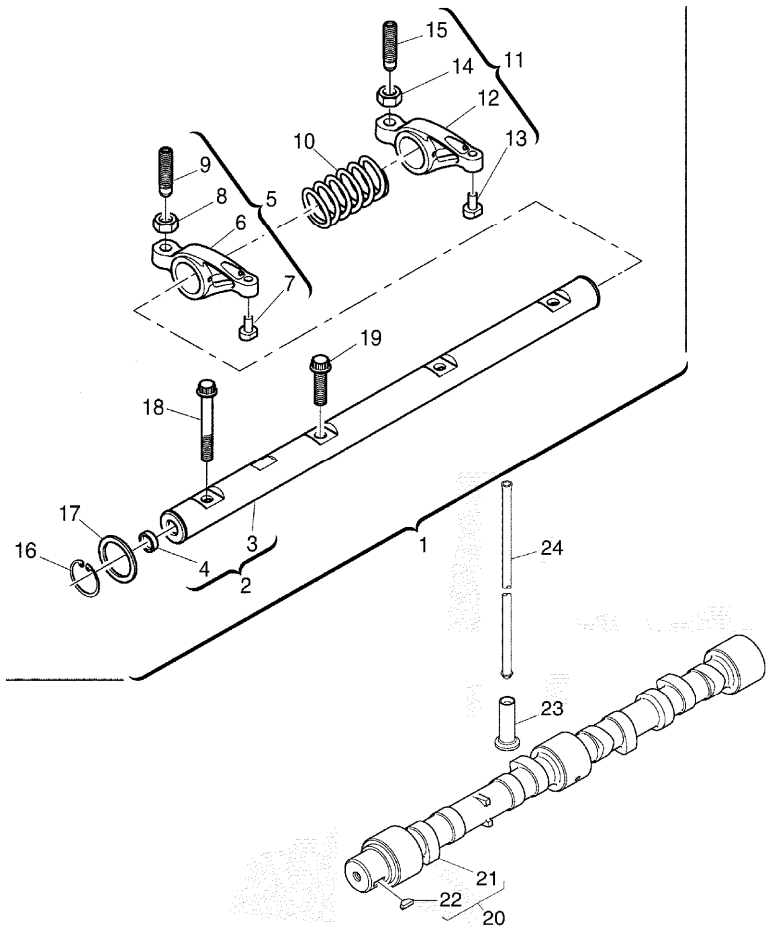
RS22\000015075.png

**A-05
08**



A0508

Rocker shaft



- | | | | | |
|----|----------|---|-------------|----------|
| 17 | 2134A502 | ! | 1 | |
| 18 | 2316A901 | ! | 1 | |
| 19 | 2316A902 | ! | 1 | |
| 20 | 4112K032 | ● | 4112K077(1) | 1 Shaft |
| 21 | | ! | 20 | 1 |
| | | ➡ | Ref.n.20 | |
| 22 | 0500012 | ! | 20 | 1 Key |
| 23 | 3142U061 | | | 8 Tappet |
| 24 | 3142V011 | | | 8 Rod |
- ! This is a component of an assembly
 ➡ Not serviced, order
 ● Replacement
 T-A Replacement

Inglese

- | | |
|---|--------|
| 2 | Washer |
| 1 | Screw |
| 3 | Screw |
| 1 | Shaft |
| 1 | |
| 1 | Key |
| 8 | Tappet |
| 8 | Rod |

Engine

C-MAX Tier 3 (2008-) - RS22 - 105

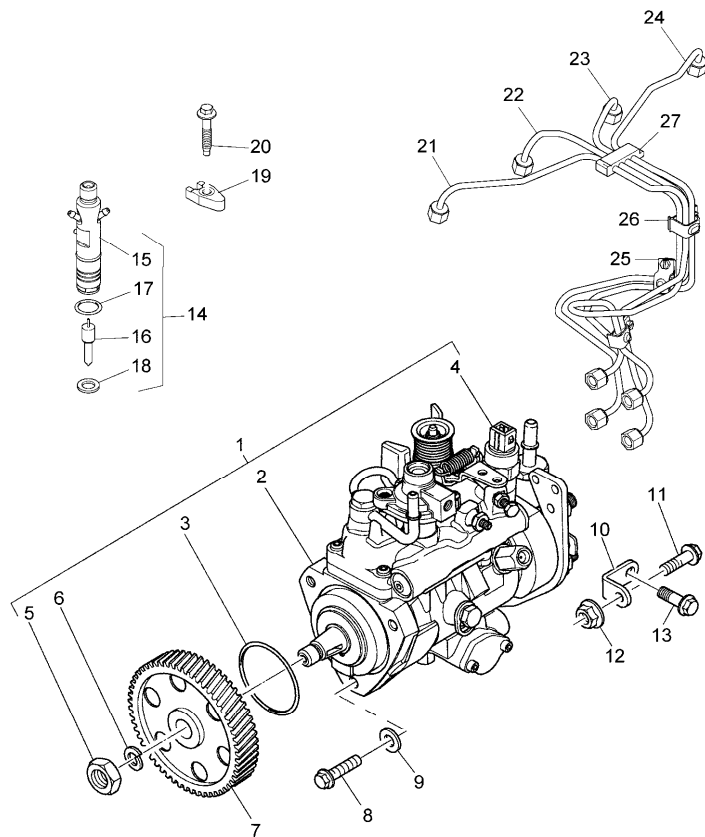
RS22\000015078.png

A-05
09



A0509

Fuel injection equipment (diesel)



		Inglese
1	2644C313/22	1 Pump
2	!	1 Pump
	➡ Ref.n.1	
3	26420318	1 Ring
	T-A 4:50	
4	26420469	1 Solenoid
	(X) 1.2.5.	
	T-A 0:25	
5	2318A108	1 Nut
6	K134AF01	1 Washer
7	3117L261	1 Gear
8	2314H004	3 Screw
9	2411D008	3 Washer
10	3641A007	1 Stirrup
11	2314H003	1 Screw
12	2318A603	1 Nut
13	2314J002	1 Screw
14	2645K025	4 Nozzle
15	!	14 Support
	➡ Ref.n.14	
16	!	14 Nozzle
17	26460064	1 Ring
18	L311FF02	1 Washer
19	3751A241	4 Clamp
20	2314W009	4 Screw

Engine

C-MAX Tier 3 (2008-) - RS22 - 105

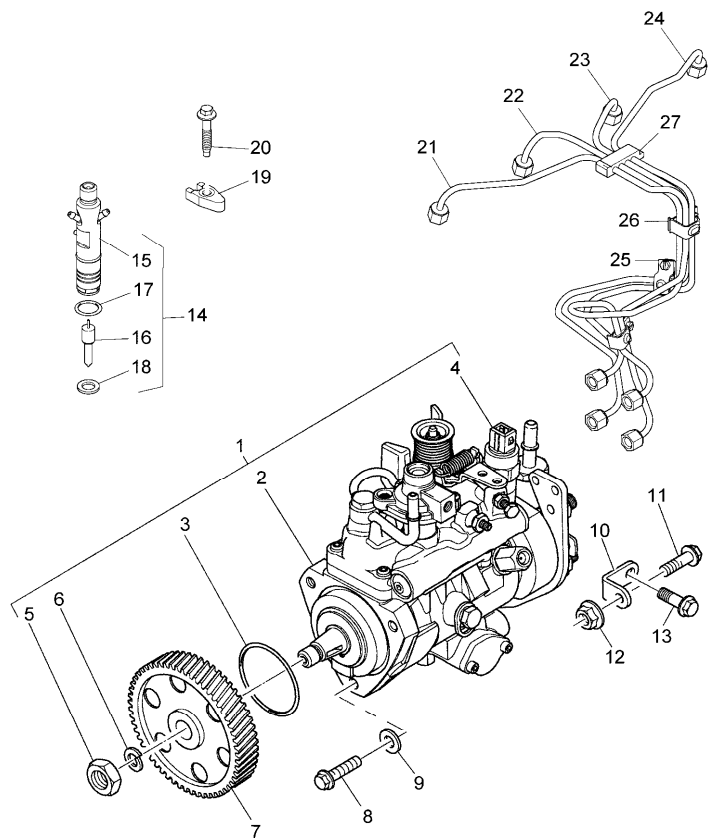
RS22\000015078.png

A-05
09



A0509

Fuel injection equipment (diesel)



Inglese

- 21 3525A101 1 Pipe
- 22 3525A102 1 Pipe
- 23 3525A103 1 Pipe
- 24 3525A104 1 Pipe
- 25 2481Y011 2 Clip
- 26 2481Y012 1 Clip
- 27 2646E019 1 Clip

! This is a component of an assembly

Not serviced, order

(X) Qty per tractors sold (aa.bbb.ccc.ddd) (aa) for 1,(bbb) 2-10 (ccc) 11-25 (ddd) 26-50

T-A Replacement

Engine

C-MAX Tier 3 (2008-) - RS22 - 105

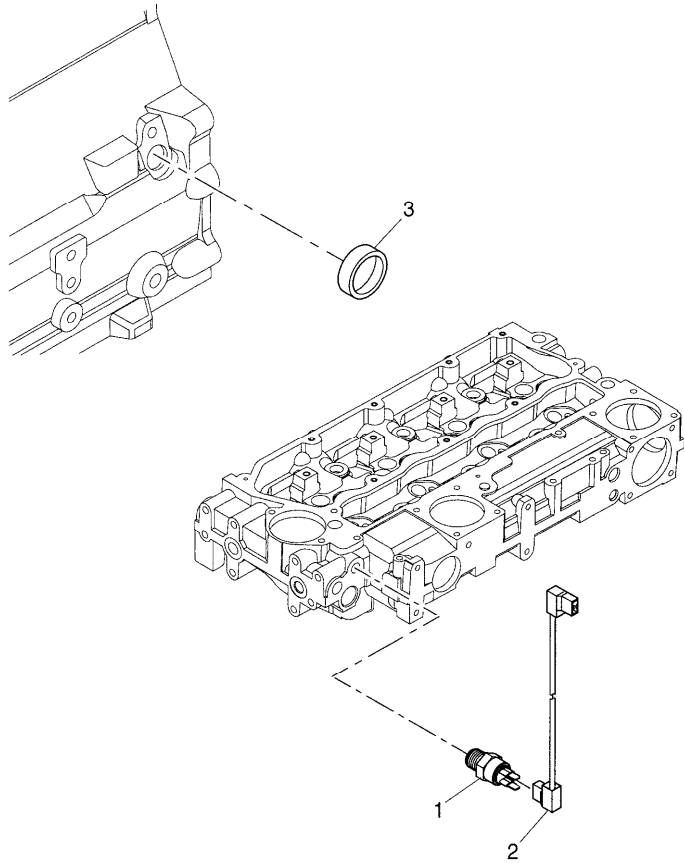
RS22\000020530.png

A-05
10



A0510

Sensor pickup



- 1 2848A127 T-A 0:50
 - 2 3161C017
 - 3 2485A109
- T-A Replacement

Inglese

- 1 Sensor
- 1 Cable
- 1 Plug

Engine

C-MAX Tier 3 (2008-) - RS22 - 105

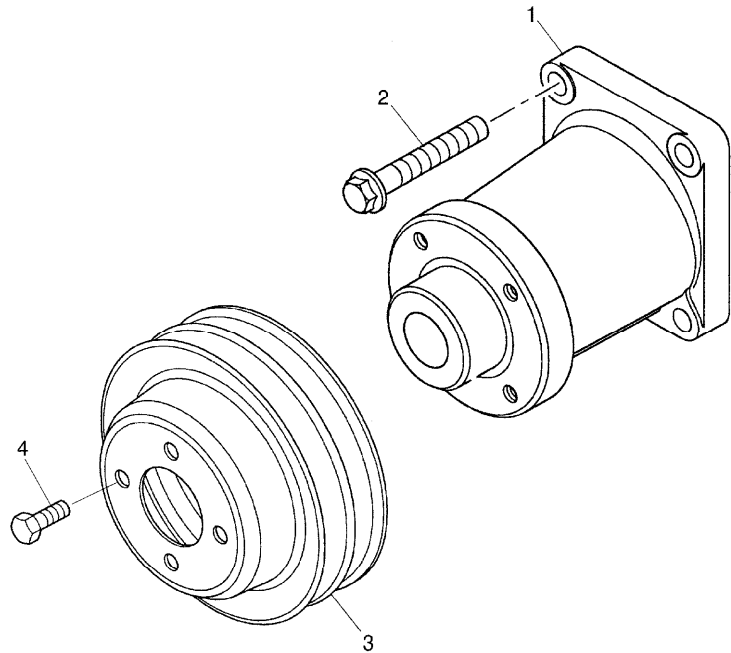
RS22\000015079.png

A-05
11



A0511

Fan-type pulley



- 1 4113K005 T-A 1:75
 - 2 2314J005
 - 3 3115C161
 - 4 2314C044
- T-A Replacement

Inglese

- 1 Housing
- 4 Screw
- 1 Pulley
- 4 Screw

Engine

C-MAX Tier 3 (2008-) - RS22 - 105

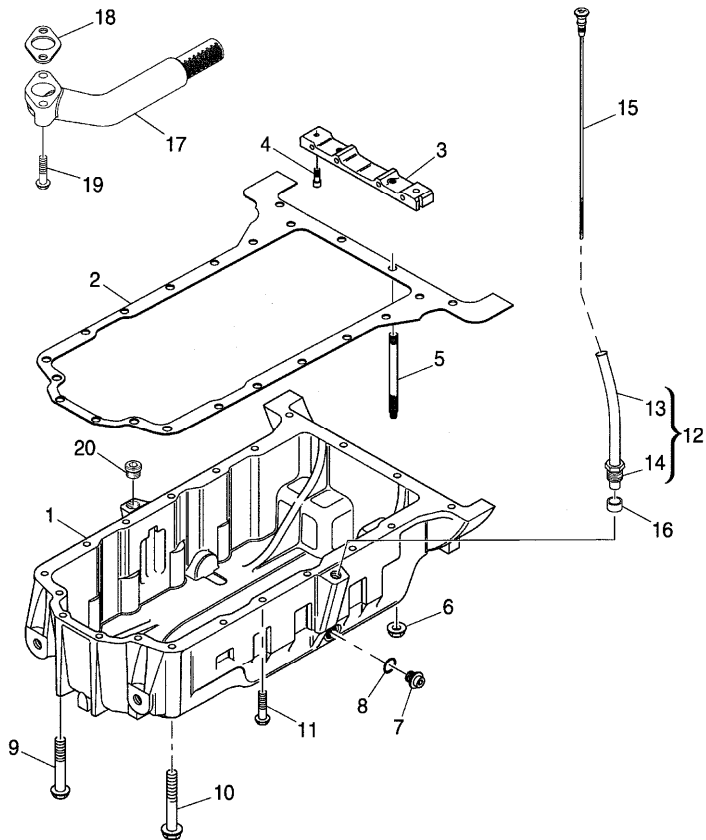
RS22\000014129.png

A-05
12



A0512

Lubricating oil sump



1	3717E271			
2	3681K036	(X)	1.2.5.	
		T-A	1:50	
3	3627P041	T-A	1:50	
4	2311D039			
5	3211P013			
6	2318A603			
7	32186405	T-A	0:25	
8	2415715	T-A	0:25	
9	2314H023			
10	2314H022	●	2314H052(1)	
11	2314H015			
12	3577A125	T-A	0:25	
13		!	12	
		▶	Ref.n.12	
14	3353D005	!	12	
15	3178C081	T-A	0:25	
16	33812116			
17	3765A091	T-A	1:75	
18	36832137	T-A	1:75	
19	2314H006			
20	2431A016			

Inglese

1	Crankcase
1	Gasket
1	Crosspiece
2	Screw
2	Stud
2	Nut
2	Plug
2	Ring
5	Screw
1	Screw
12	Screw
1	Pipe
1	Pipe
1	Nut
1	Rod
1	Olive
1	Pipe
1	Gasket
2	Screw
1	Plug

- ! This is a component of an assembly
- ▶ Not serviced, order
- Replacement

Engine

C-MAX Tier 3 (2008-) - RS22 - 105

A-05
12

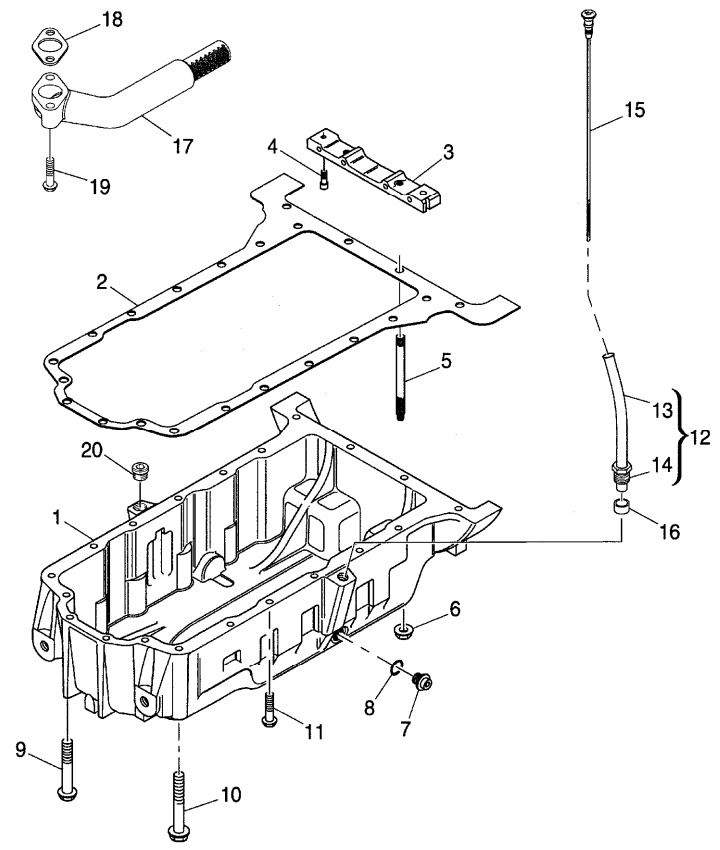


A0512

Lubricating oil sump

RS22\000014129.png

(X) Qty per tractors sold (aa.bbb.ccc.ddd) (aa) for 1,(bbb) 2-10 (ccc) 11-25 (ddd) 26-50
T-A Replacement



Engine

C-MAX Tier 3 (2008-) - RS22 - 105

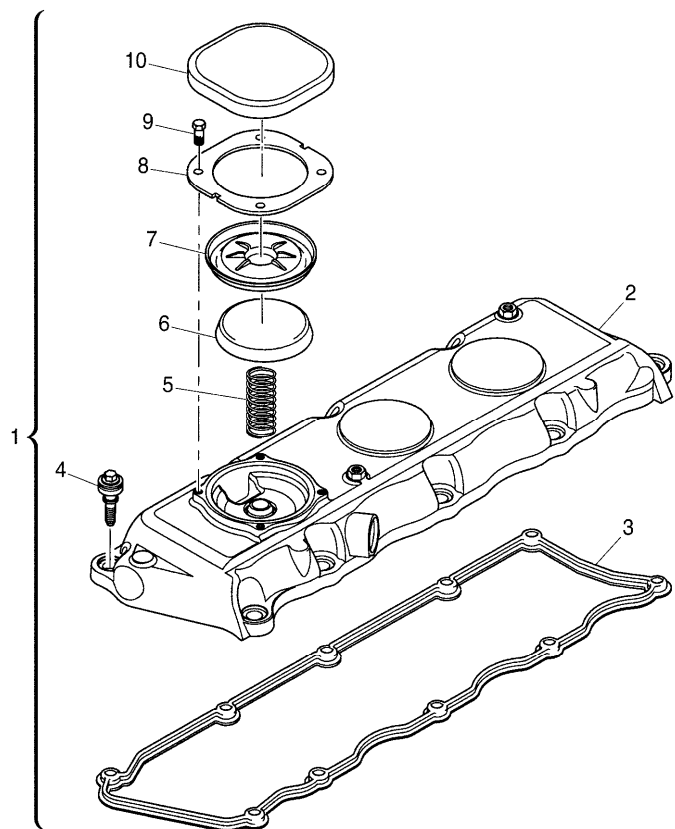
RS22\000020533.png

A-05
13



A0513

Cylinder head cover



		Inglese	
1	4142X325	● T417478(1)	1 Coperch.
2		! 1	1 Cover
3	3681A055	▣ Ref.n.1	1 Gasket
		(X) 1.2.5.	
		T-A 1:0	
4		! 1	10 Screw
		▣ Ref. n.1	
5	3174A017	! 1	1 Spring
		T-A 0:25	
6	3788A002	! 1	1 Cap
		T-A 0:25	
7	3789A001	! 1	1 Diaphragm
		T-A 0:25	
8	3615A009	! 1	1 Plate
		T-A 0:25	
9	2151A001	! 1	4 Screw
10	3788A003	! 1	1 Cap
		T-A 0:25	
	!	This is a component of an assembly	
	▣	Not serviced, order	
	●	Replacement	
	(X)	Qty per tractors sold (aa.bbb.ccc.ddd) (aa) for 1,(bbb) 2-10 (ccc) 11-25 (ddd) 26-50	
	T-A	Replacement	

Engine

C-MAX Tier 3 (2008-) - RS22 - 105

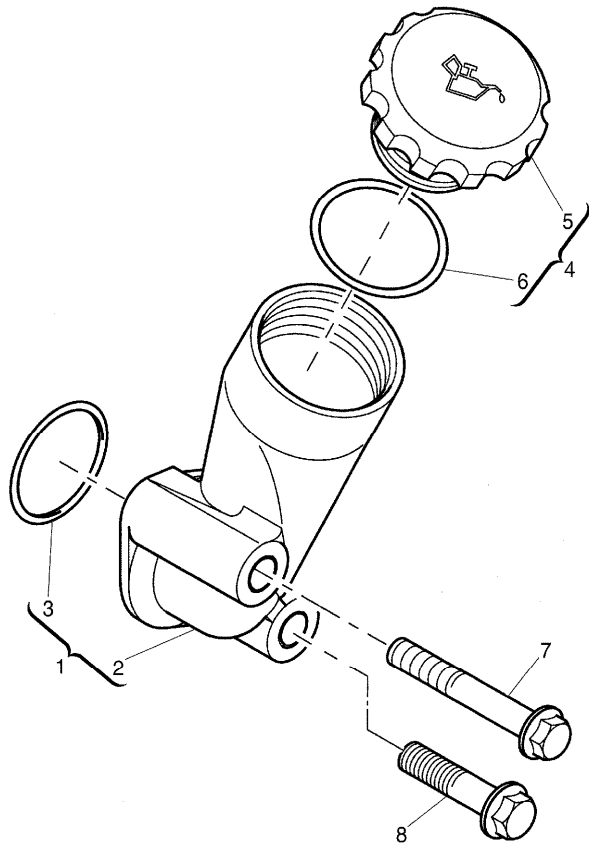
RS22\000020589.png

A-05
14



A0514

Filler



		Inglese	
1	4134C019	● N.L.S.(1) T-A 0:25	1 Filler
2		! 1 ➡ Ref.n.1	1 Body
3	2415B121	! 1 T-A 0:25	1 O ring
4	4142X098	! 1 T-A 0:25	1 Plug
5		! 4 ➡ Ref.n.4	1 Plug
6	2415633	! 4 T-A 0:25	1 O ring
7	2314K161		1 Screw
8	2314H008		1 Screw
		! This is a component of an assembly	
		➡ Not serviced, order	
		● Replacement	
		T-A Replacement	



Suggest:

For more complete manuals. Please go to the home page.

<https://www.ebooklibonline.com>

If the above button click is invalid. Please download this document first, and then click the above link to download the complete manual.

Thank you so much for reading

Engine

C-MAX Tier 3 (2008-) - RS22 - 105

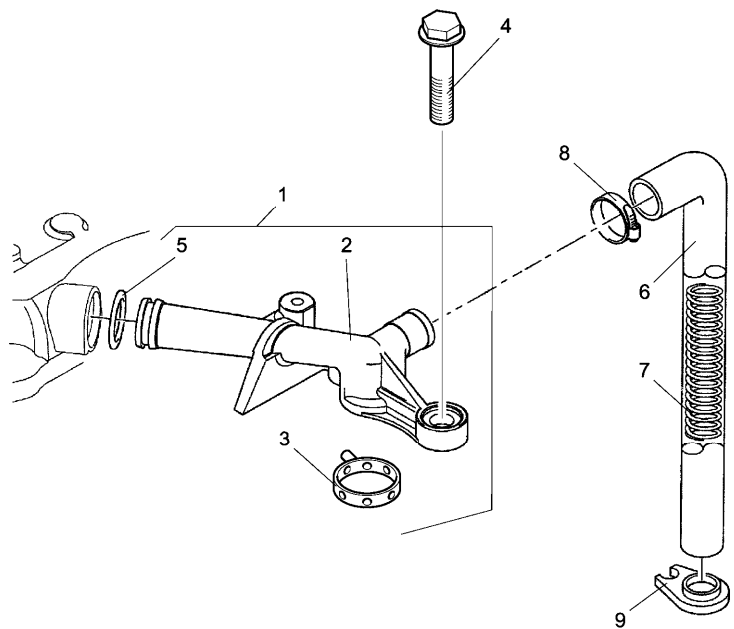
A-05
15



A0515

Breather

RS22\000014130.png



- | | | | | |
|-----|------------------------------------|-----|---------|--|
| 1 | 4134K022 | | | |
| 2 | | ! | 1 | |
| | | ➡ | Ref.n.1 | |
| 3 | 2415H701 | ! | 1 | |
| 4 | 2314F005 | | | |
| 5 | 2415A068 | ! | 1 | |
| | | T-A | 0:50 | |
| 6 | 33872632 | T-A | 0:25 | |
| 7 | 3175P003 | | | |
| 8 | 2481877 | | | |
| 9 | 36241123 | T-A | 0:25 | |
| ! | This is a component of an assembly | | | |
| ➡ | Not serviced, order | | | |
| T-A | Replacement | | | |

Inglese

- 1 Pipe
- 1 Pipe
- 1 Ring
- 2 Screw
- 1 Ring
- 1 Pipe
- 1 Nut
- 1 Clamp
- 1 Support

Engine

C-MAX Tier 3 (2008-) - RS22 - 105

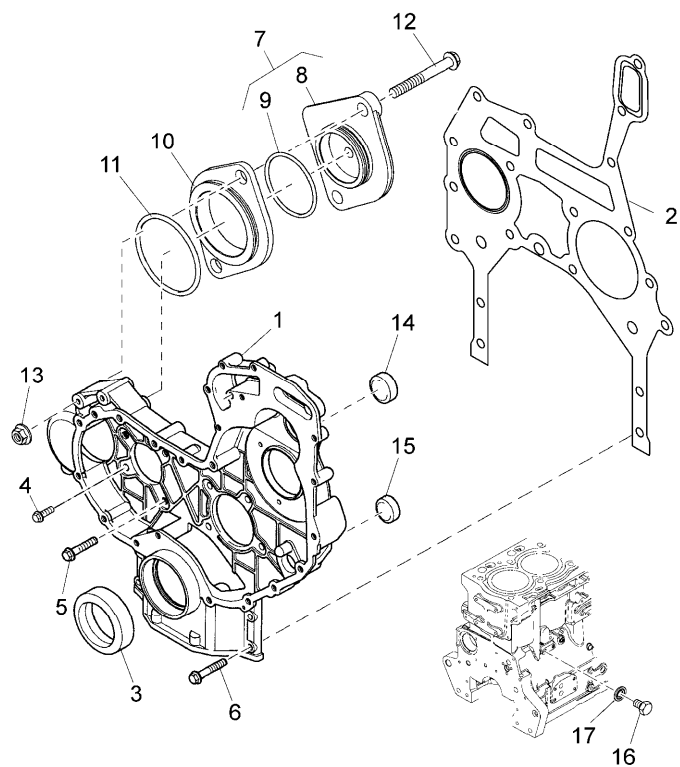
**A-05
16**



A0516

Gasket sets

RS22\000015081.png



		Inglese
1	3716C581	1 Housing
2	3681P053	1 Gasket
3	2418F437	1 Seal
4	2314H003	6 Screw
5	2314H006	2 Screw
6	2314H034	4 Screw
7	4148K012	1 Plate
8	! 7	1 Plate
	➡ Ref.n.7	
9	2415H515	1 Ring
10	3617A021	1 Disc
11	2415H516	1 O ring
12	2314J014	2 Screw
13	2318A604	2 Nut
14	2485A124	1 Plug
15	2485A124	1 Plug
16	2314C049	1 Screw
17	2415D053	1 Washer
!	This is a component of an assembly	
➡	Not serviced, order	
T-A	Replacement	

<https://www.ebooklibonline.com>

Hello dear friend!

Thank you very much for reading.

Enter the link into your browser.

The full manual is available for immediate download.

<https://www.ebooklibonline.com>