

Engine

C-MAX Tier 3 (2008- ) - RS22 - 90

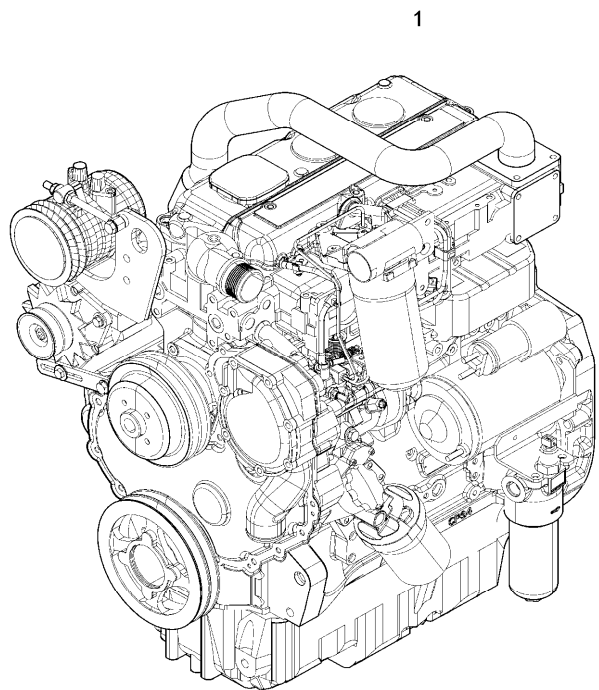
RS22\00005170.png

A-05  
01



A0501

Engine assembly



		Inglese	
1	3695284M91	"perkins - nl38967	1 Engine 60 kw
1	6510946M91	"perkins - nl51688	1 Engine 60 kw
		A	
1	6512086M91	"perkins - nl81888	1 Engine 60 kw
		B	
		C	
1	6512332M91	"perkins - nl70859	1 Engine 60 kw
		B	
		D	
A	Tier 3b		
B	Flexibility engine		
C	Cee		
D	Nao		

Engine

C-MAX Tier 3 (2008- ) - RS22 - 90

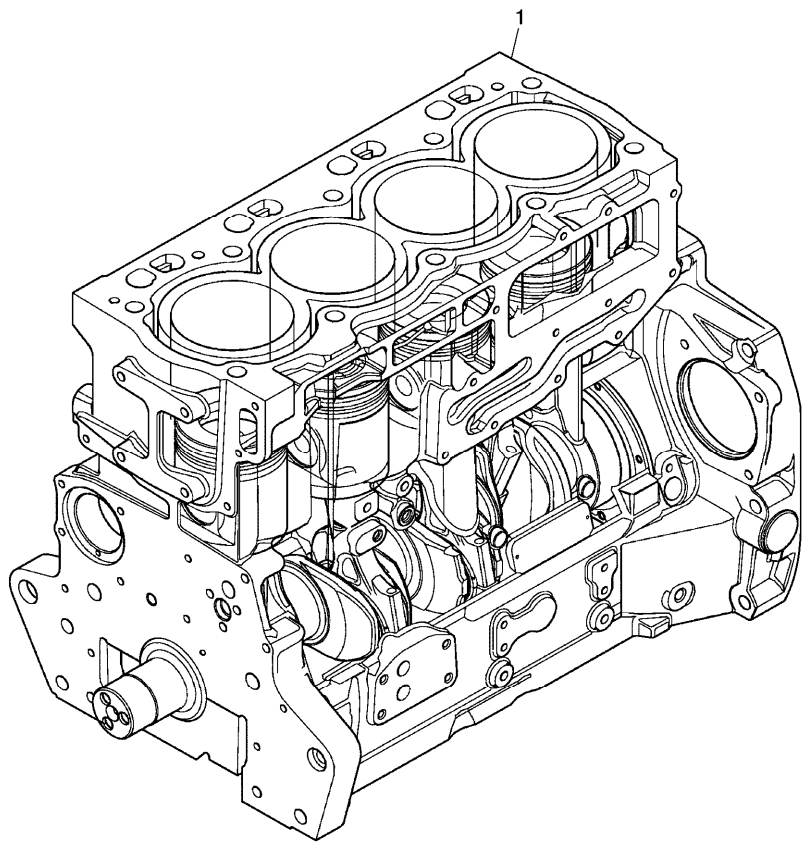
RS22\000015070.png

A-05  
02









A0502

Short engine



Inglese

- 1 NM40008  U056074 t 1 Short engine
-  3115A141(1),  
32186146(3), NM4
- 1 NM40019  U056075 t 1 Short engine

-  From serial or engine number
-  Up to serial or engine number
-  Replacement

Engine

C-MAX Tier 3 (2008- ) - RS22 - 90

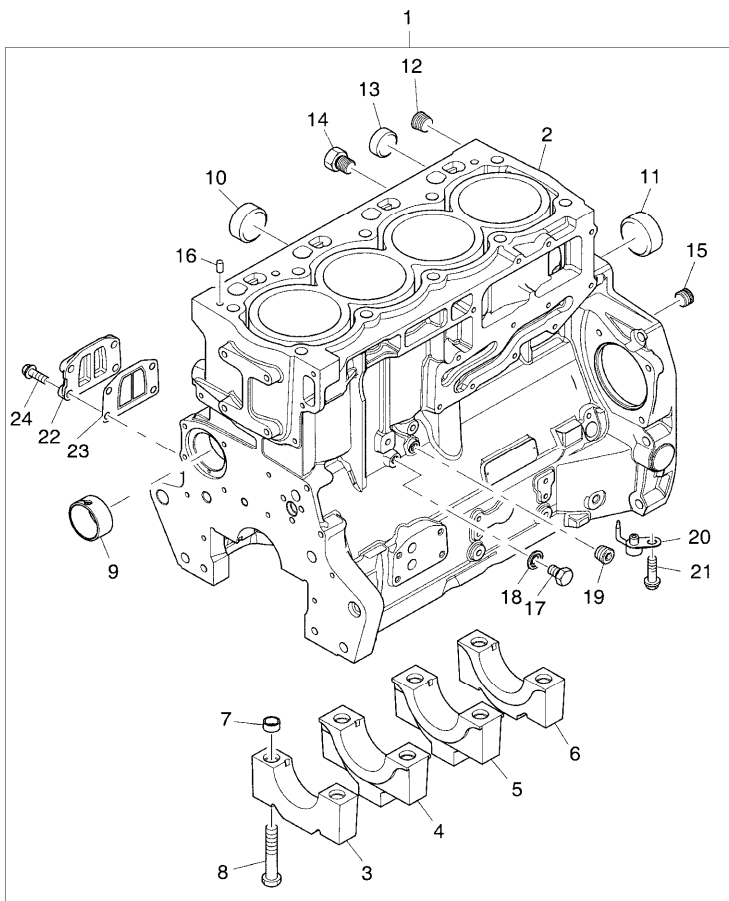
**A-05  
03**



A0503

Cylinder block

RS22\000015072.png



			Inglese
1	👁	A-05 02 01	1 Kit
2	!	1	1 Cylinder block
3	➡	Ref.n.1	1 Bearing
4	!	1	2 Bearing
5	➡	Ref.n.1	1 Bearing
6	!	1	1 Bearing
7	➡	Ref.n.1	10 Manicott
8	!	1	10 Screw
9	!	1	1 Bush
	●	3112D075(1)	
10	!	1	2 Plug
11	!	1	1 Plug
12	!	1	1 Plug
13	!	1	1 Plug
14	!	1	1 Plug
15	!	1	1 Plug
16	!	1	2 Dowel
17	!	1	1 Screw
18	!	1	1 Washer
19	!	1	1 Plug

**<https://www.ebooklibonline.com>**

Hello dear friend!

Thank you very much for reading.

Enter the link into your browser.

The full manual is available for immediate download.

**<https://www.ebooklibonline.com>**

Engine

C-MAX Tier 3 (2008- ) - RS22 - 90

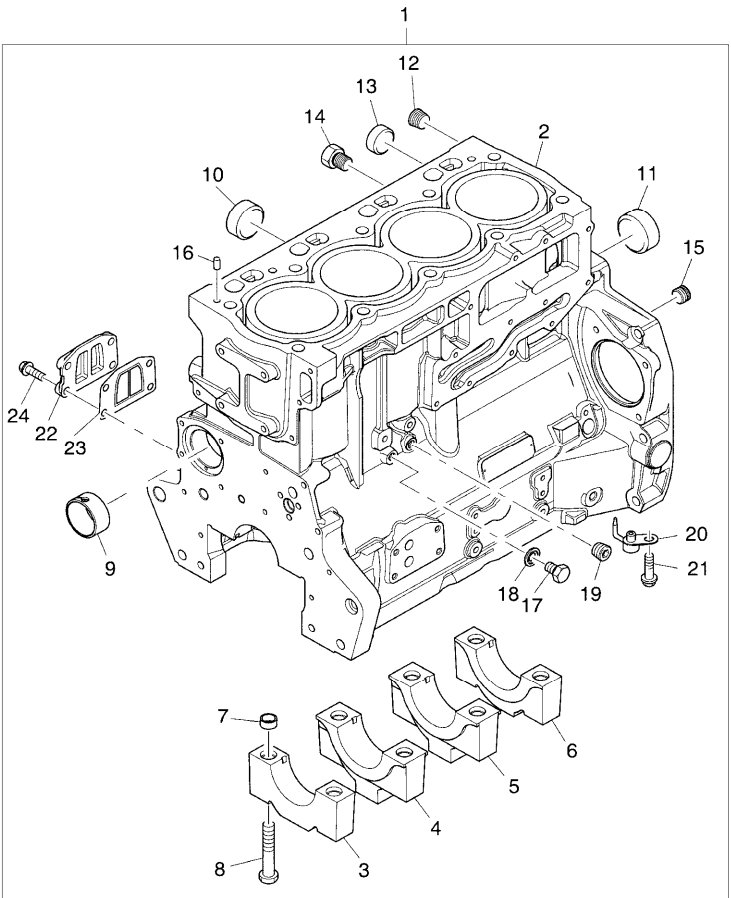
A-05  
03



A0503

Cylinder block

RS22\000015072.png



		Inglese			
20	2113A003	!	1	4	Atomiser
21	2314F001	!	1	4	Screw
22	3753A071	!	1	1	Coperch.
23	3688A041	!	1	1	Ring
24	2314H034	!	1	4	Screw

- ! This is a component of an assembly
- 👁 See page - reference number
- 🔧 Not serviced, order
- Replacement

Engine

C-MAX Tier 3 (2008- ) - RS22 - 90

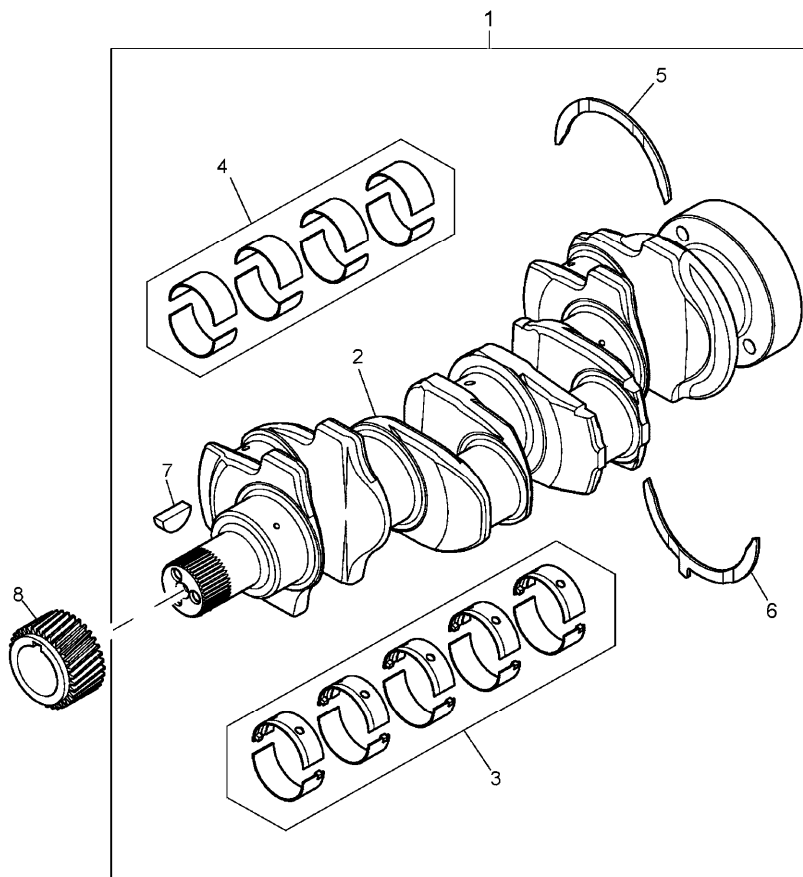
A-05  
04



A0504

Camshaft

RS22\000015073.png



		Inglese	
1	ZZ90222	➔ U056074 t	1 Kit
		● ZZ90239(1)	
1	ZZ90237	➔ U056075 t	1 Shaft
2		! 1	1 Shaft
		➔ Ref.n.1	
3	U5MB0018	! 1	1 Kit
		➔ U056074 t	
		● U5MB0033(1)	
		T-A 15:0	
3	U5MB0018A	! 1	1 Kit
		⚡ 0.010"	
		➔ U056074 t	
		● U5MB0033A(1)	
		T-A 15:0	
3	U5MB0018B	! 1	1 Kit
		⚡ 0.020"	
		➔ U056074 t	
		● U5MB0033B(1)	
		T-A 15:0	
3	U5MB0018C	! 1	1 Kit
		⚡ 0.030"	
		➔ U056074 t	
		● N.L.A.(1)	
		T-A 15:0	
3	U5MB0033	! 1	1 Kit
		➔ U056075 t	

Engine

C-MAX Tier 3 (2008- ) - RS22 - 90

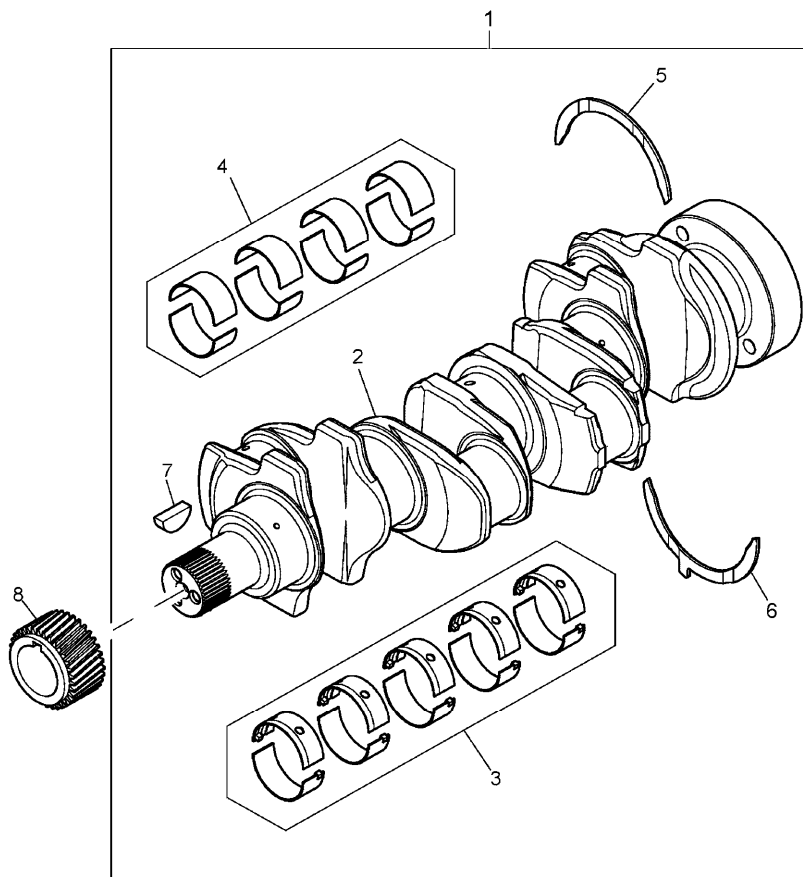
RS22\000015073.png

A-05  
04



A0504

Camshaft



		Inglese	
3	U5MB0033A	! 1	1 Kit
		⚡ -0,25mm	
		➡ U056075 t	
3	U5MB0033B	! 1	1 Kit
		⚡ -0,50mm	
		➡ U056075 t	
3	U5MB0033C	! 1	1 Kit
		⚡ -0,75mm	
		➡ U056075 t	
		● N.L.A.(1)	
4	T400002	! 1	1 Kit
		➡ U056075 t	
		● T410927(1)	
4	U5ME0026	! 1	1 Kit
		➡ U056074 t	
		● U5ME0034(1)	
4	U5ME0026A	! 1	1 Kit
		⚡ 0.25mm	
		➡ U056074 t	
		● U5ME0034A(1)	
4	U5ME0026B	! 1	1 Kit
		⚡ 0.50mm	
		➡ U056074 t	
		● U5ME0034B(1)	

Engine

C-MAX Tier 3 (2008- ) - RS22 - 90

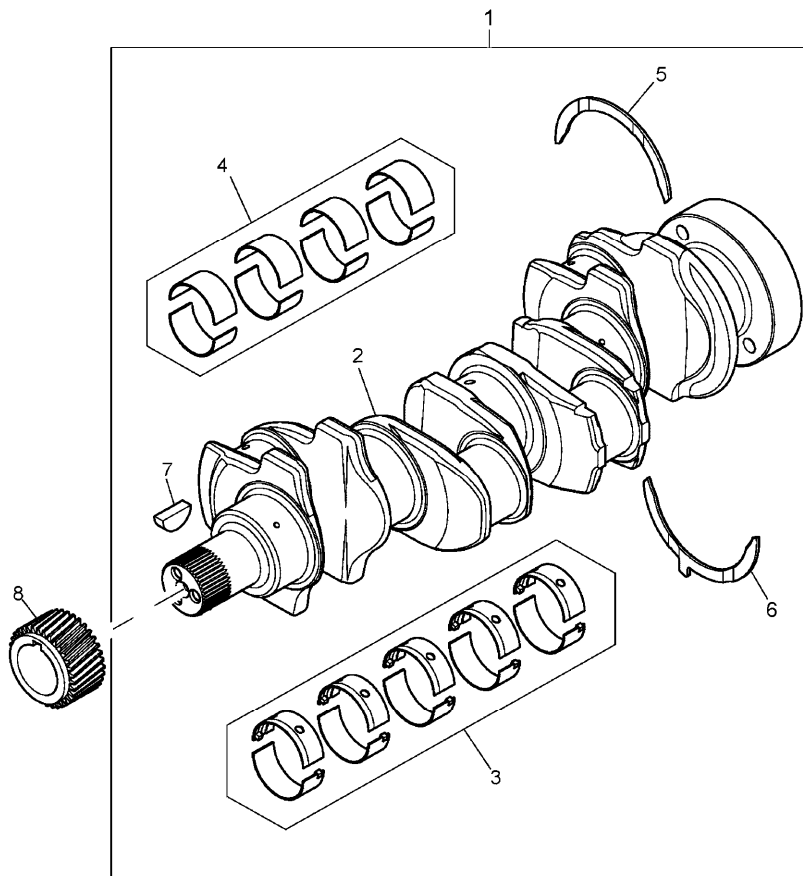
RS22\000015073.png

A-05  
04



A0504

Camshaft



		Inglese	
4	U5ME0026C	! 1	1 Kit
		✂ 0.75mm	
		➔ U056074 t	
		● U5ME0034C(1)	
5	31137312	! 1	2 Ring
		✂ 0.007"	
		T-A 15:0	
5	31137551	! 1	2 Washer
		T-A 15:0	
6	31137322	! 1	2 Ring
		✂ 0.007"	
		T-A 15:0	
6	31137561	! 1	2 Washer
		T-A 15:0	
7	0500012	! 1	1 Key
		T-A 10:0	
8	3117C221	T-A 10:0	1 Gear
		! This is a component of an assembly	
		➔ From serial or engine number	
		➔ Up to serial or engine number	
		🛠 Not serviced, order	
		✂ Shim	
		● Replacement	
		T-A Replacement	

Engine

C-MAX Tier 3 (2008- ) - RS22 - 90

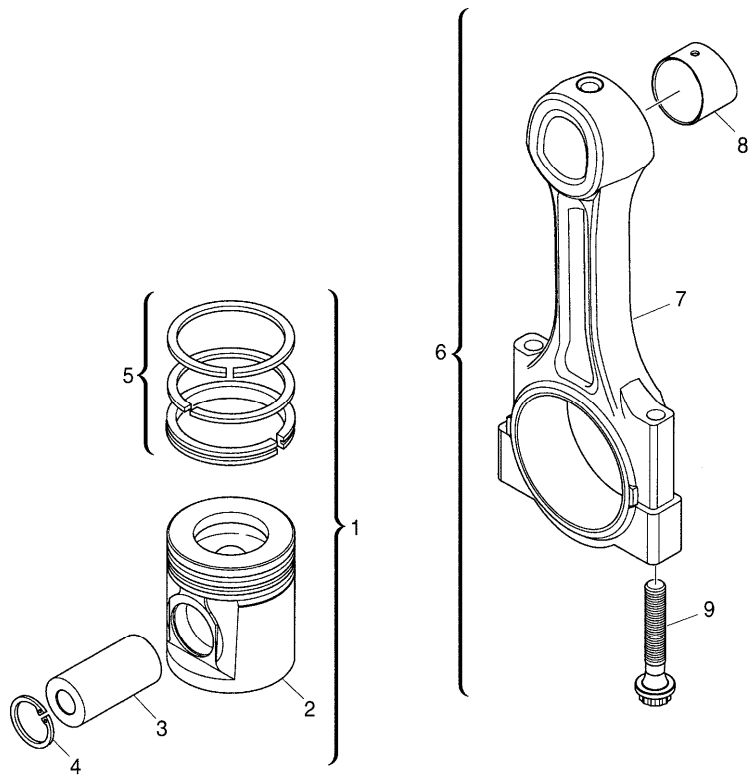
RS22\000020525.png

A-05  
05



A0505

Pistons and connecting rods



		Inglese
1	U5PR0063	4 Kit
2	! 1	1 Piston
	➡ Ref.n.1	
3	! 1	1 Pin
	➡ Ref.n.1	
4	2721332 ! 1	2 Ring
5	UPRK0003 ! 1	1 Kit
	(X) 0.2.5.	
	T-A 11:25	
6	4115C311 ➡ U056074 t	4 Kit
	A	
	T-A 14:0	
6	4115C312 ➡ U056074 t	4 Kit
	B	
	T-A 14:0	
6	4115C313 ➡ U056074 t	4 Kit
	C	
	T-A 14:0	
6	4115C314 ➡ U056074 t	4 Kit
	D	
	T-A 14:0	
6	4115C315 ➡ U056074 t	4 Kit
	E	
	T-A 14:0	

Engine

C-MAX Tier 3 (2008- ) - RS22 - 90

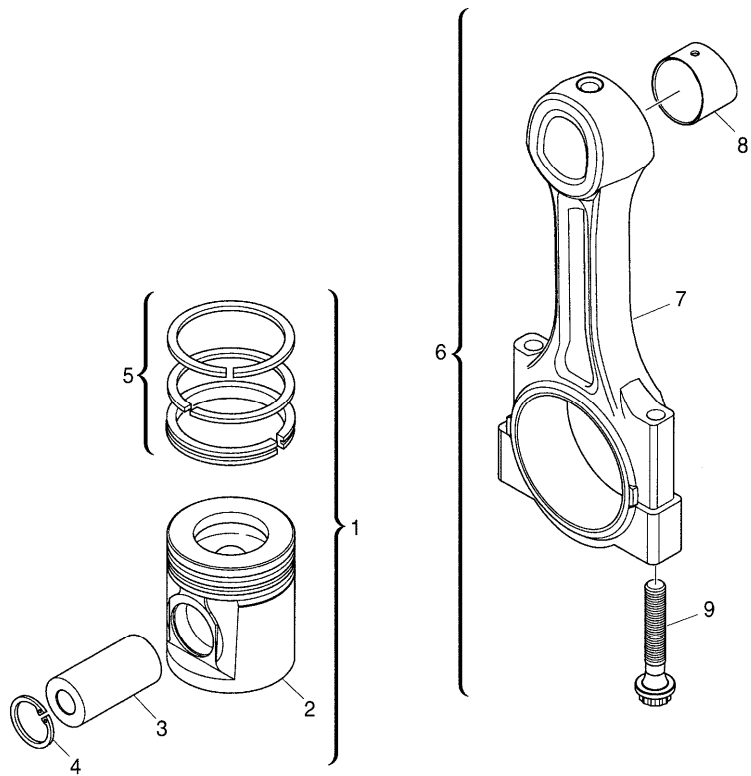
RS22\000020525.png

A-05  
05



A0505

Pistons and connecting rods



		Inglese	
6	4115C316	➡ U056074 t F T-A 14:0	4 Kit
6	4115C361	➡ U056075 t A	4 Conrod
6	4115C362	➡ U056075 t B	4 Conrod
6	4115C363	➡ U056075 t C	4 Conrod
6	4115C364	➡ U056075 t D	4 Conrod
6	4115C365	➡ U056075 t E	4 Conrod
6	4115C366	➡ U056075 t F	4 Conrod
7		! 6 ➡ Ref.n.6	1 Conrod
8	3112A005	! 6 T-A 14:0	1 Bush
9	3212V003	! 6 ➡ U056074 t	2 Screw
9	T400001	! 6 ➡ U056075 t	2 Screw

- ! This is a component of an assembly
- ➡ From serial or engine number
- ➡ Up to serial or engine number
- ➡ Not serviced, order

Engine

C-MAX Tier 3 (2008- ) - RS22 - 90

RS22\000020525.png

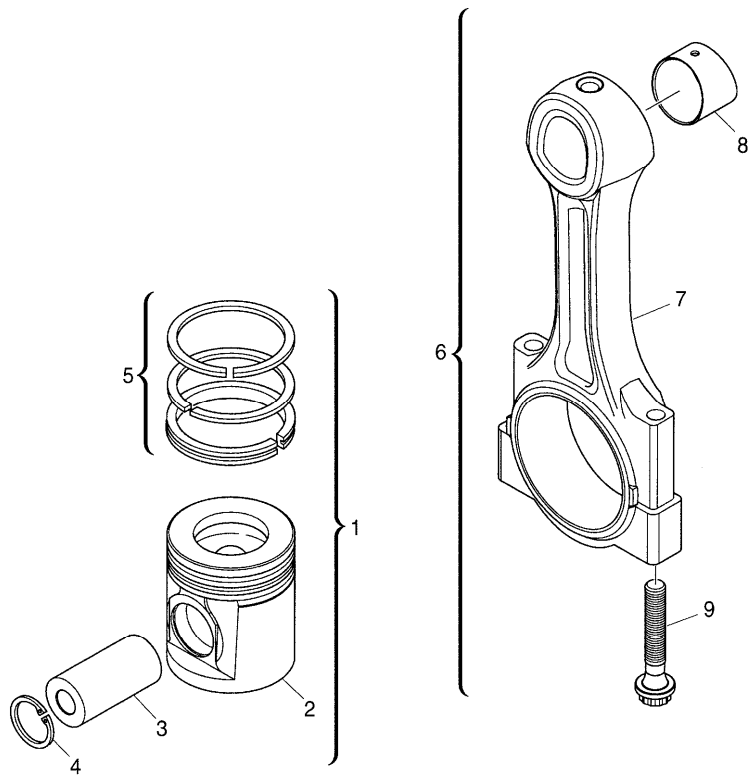
**A-05**  
**05**



A0505

Pistons and connecting rods

- (X) Qty per tractors sold (aa.bbb.ccc.ddd) (aa) for 1,(bbb) 2-10 (ccc) 11-25 (ddd) 26-50
- T-A Replacement
- A Red
- B Orange
- C White
- D Green
- E Purple
- F Blue



Engine

C-MAX Tier 3 (2008- ) - RS22 - 90

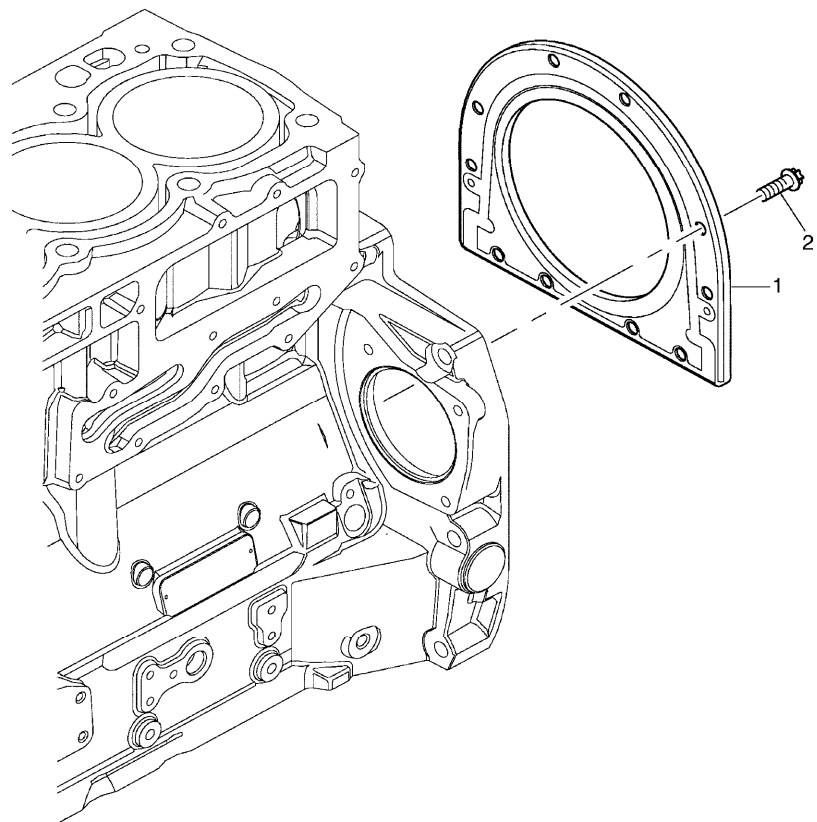
RS22\000015074.png

A-05  
06



A0506

End cover



1 2418F704 T-A 9:0

2 3211C002

T-A Replacement

Inglese

1 Housing

10 Screw

Engine

C-MAX Tier 3 (2008- ) - RS22 - 90

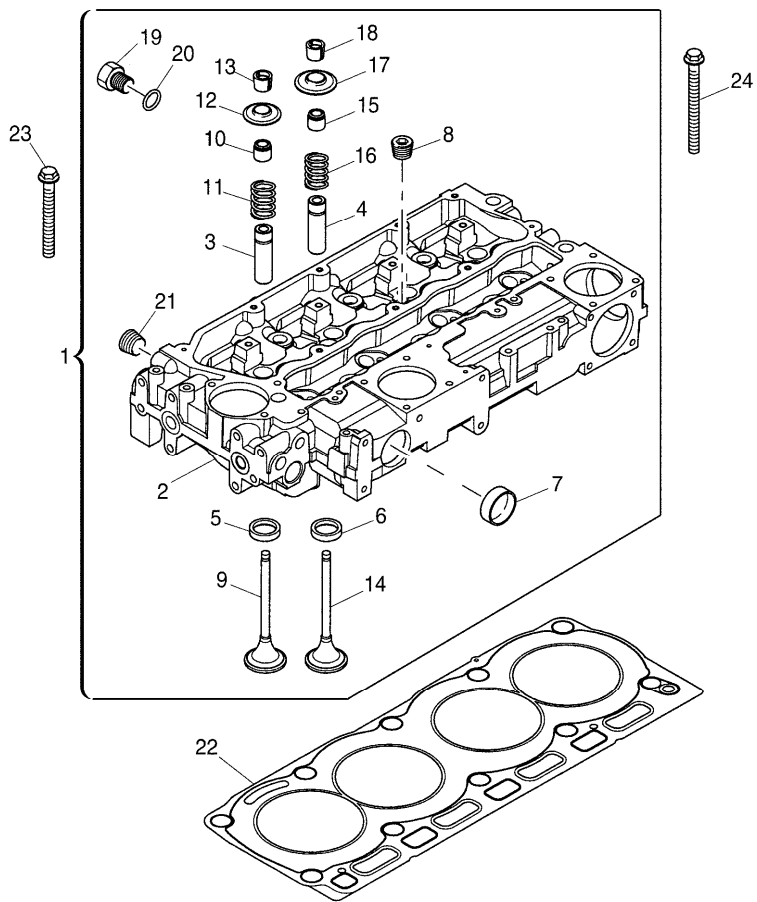
**A-05  
07**



A0507

Cylinder head

RS22\000020527.png



1 ZZ80279

2 ! 1

➡ Ref.n.1

3 3313A012 ! 1

4 3313A012 ! 1

5 3314A221 ! 1

6 3314A231 ! 1

7 32416117 ! 1

8 0650588 ! 1

9 3142H101 ! 1

10 2418M519 ! 1

A

11 3174A031 ! 1

● T417479(4)

12 3342A021 ! 1

13 2714A002 ! 1

14 3142A171 ! 1

15 2418M517 ! 1

B

16 3174A031 ! 1

● T417479(4)

17 3342A021 ! 1

18 2714A002 ! 1

19 3278A006 ! 1

20 2415H003 ! 1

**Inglese**

1 Cylinder head

1 Kit

4 Insert

4 Insert

4 Insert

4 Insert

2 Plug

4 Plug

4 Valve

4 Ring

4 Spring

4 Coperch.

8 Collar

4 Valve

4 Ring

4 Spring

4 Coperch.

8 Collar

1 Plug

1 Ring

Engine

C-MAX Tier 3 (2008- ) - RS22 - 90

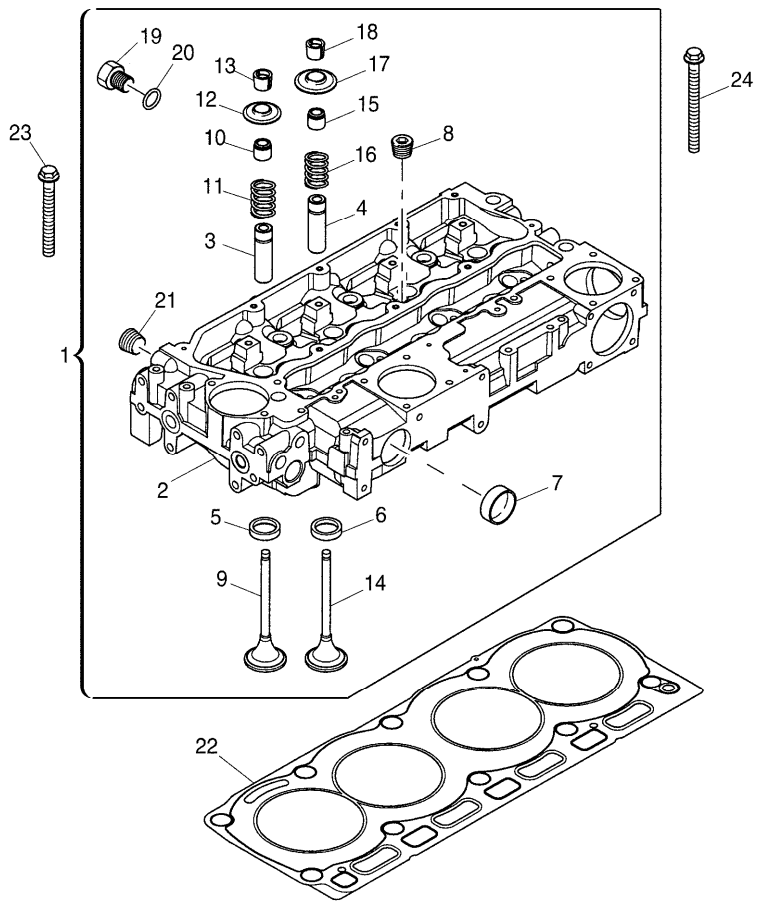
A-05  
07



A0507

Cylinder head

RS22\000020527.png



21 2431154 ! 1

22 3681E051

23 3218A011

24 3218A012

! This is a component of an assembly

Not serviced, order

Replacement

A Green

B Brown

Inglese

2 Plug

1 Gasket

7 Screw

3 Screw

Engine

C-MAX Tier 3 (2008- ) - RS22 - 90

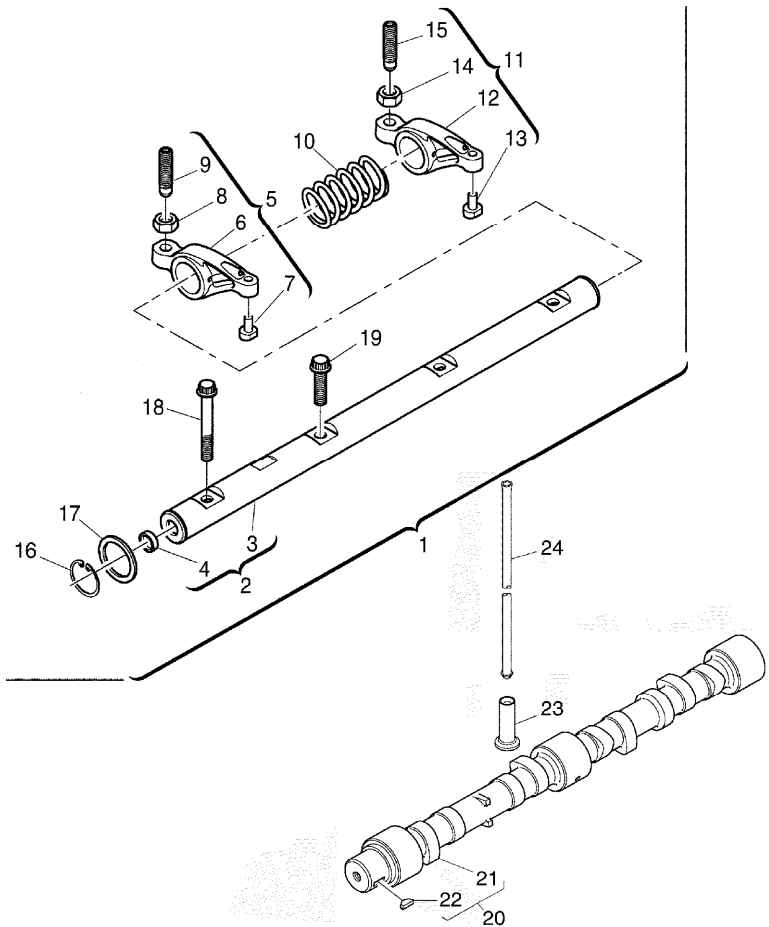
RS22\000015075.png

A-05  
08



A0508

Rocker shaft



		Inglese
1	4115R613	1 Axle
2	4115R703	1 Shaft
	T-A 4:0	
3	!	1 Axle
	➡ Ref.n.2	
4	2485A104	2 Plug
5	4115R319	4 Lever
6	!	1 Rocker
	➡ Ref.n.5	
7	!	1 Pad
	➡ Ref.n.5	
8	3331A006	1 Nut
9	3211C004	1 Screw
10	3174A015	3 Spring
	T-A 4:0	
11	4115R318	4 Lever
12	!	1 Rocker
	➡ Ref.n.11	
13	!	1 Pad
	➡ Ref.n.11	
14	3331A006	1 Nut
15	3211C004	1 Screw
16	2722A022	2 Ring
17	2134A502	2 Washer
18	2316A901	1 Screw

Engine

C-MAX Tier 3 (2008- ) - RS22 - 90

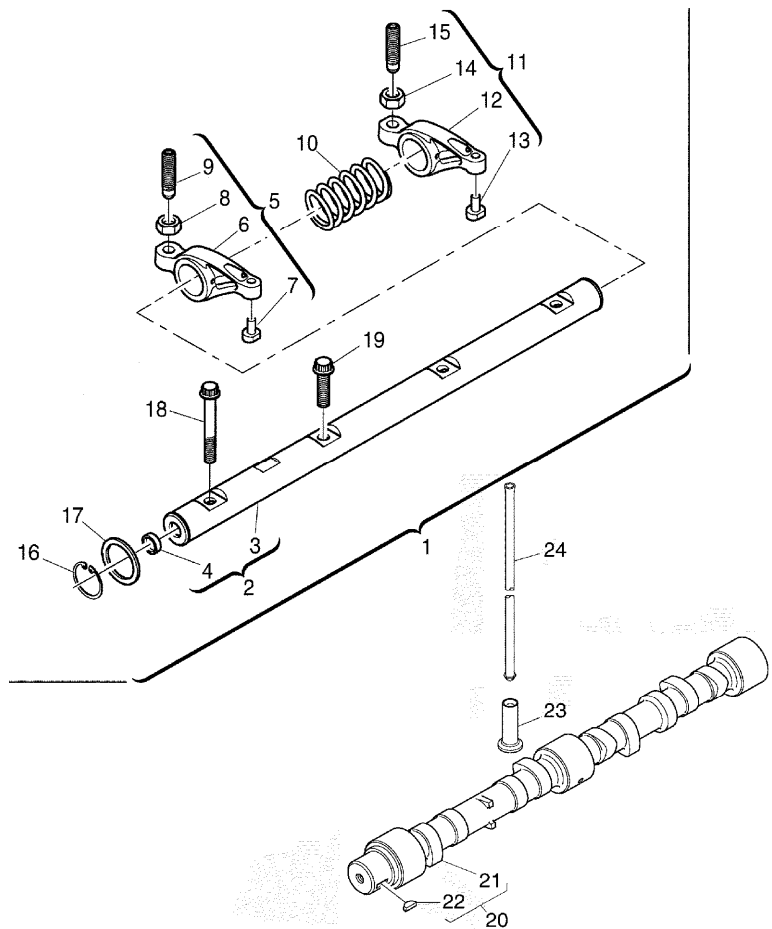
RS22\000015075.png

A-05  
08



A0508

Rocker shaft



Inglese

19	2316A902	!	1	3	Screw
20	4112K075	●	4112K077(1)	1	Shaft
21		!	20	1	Shaft
		➡	Ref.n.20		
22	0500012	!	20	1	Key
23	3142U061			8	Tappet
24	3142V011			8	Rod

- ! This is a component of an assembly
- ➡ Not serviced, order
- Replacement
- T-A Replacement

Engine

C-MAX Tier 3 (2008- ) - RS22 - 90

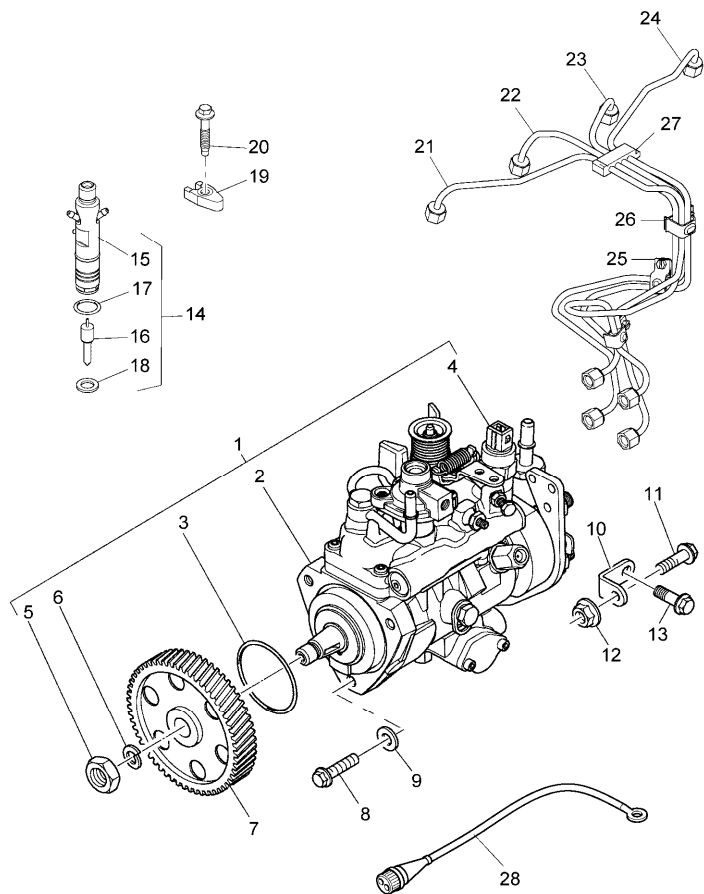
A-05  
09



A0509

Fuel injection equipment (diesel)

RS22\000015077.png



		Inglese
1	2644C342/22	1 Pump
2	!	1 Pump
	➡ Ref.n.1	
3	26420318	1 Ring
	T-A 4:50	
4	26420469	1 Solenoid
	12v	
	(X) 1.2.5.	
	T-A 0:25	
5	2318A108	1 Nut
6	K134AF01	1 Washer
7	3117L261	1 Gear
8	2314H004	3 Screw
9	2411D008	3 Washer
10	3641A007	1 Stirrup
11	2314H003	1 Screw
12	2318A603	1 Nut
13	2314J002	1 Screw
14	2645K025	4 Nozzle
15	!	14 Support
	➡ Ref.n.14	
16	!	14 Nozzle
	➡ Ref.n.14	
17	26460064	1 Ring
18	L311FF02	1 Washer

Engine

C-MAX Tier 3 (2008- ) - RS22 - 90

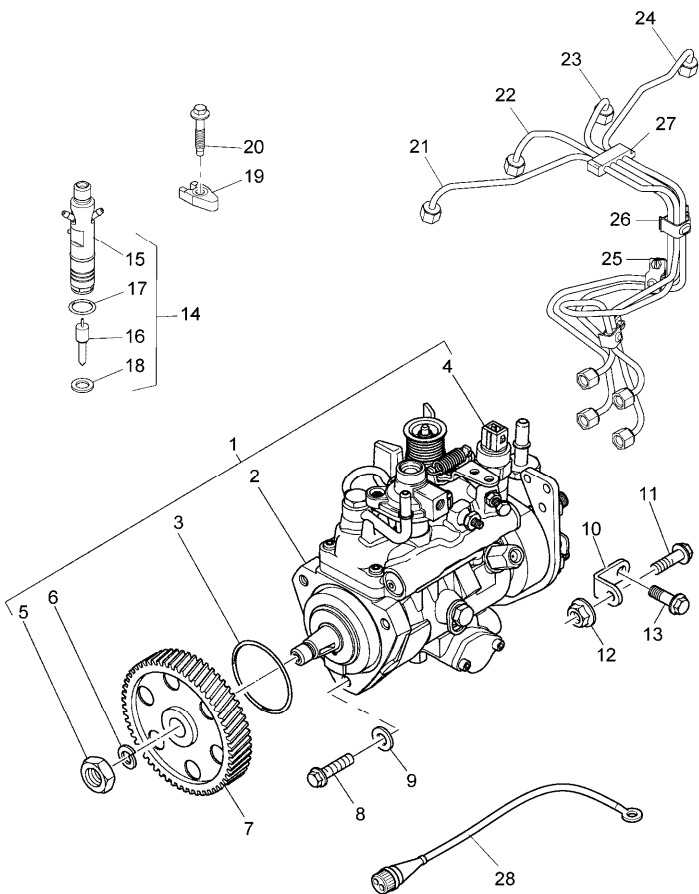
A-05  
09



A0509

Fuel injection equipment (diesel)

RS22\000015077.png



Inglese

- 19 3751A241
- 20 2314W009
- 21 3525A101
- 22 3525A102
- 23 3525A103
- 24 3525A104
- 25 2481Y011
- 26 2481Y012
- 27 2646E019
- 28 3673286M91 "bosch"

- 4 Clamp
- 4 Screw
- 1 Pipe
- 1 Pipe
- 1 Pipe
- 1 Pipe
- 2 Clip
- 1 Clip
- 1 Clip
- 1 Harness

! This is a component of an assembly

Not serviced, order

(X) Qty per tractors sold (aa.bbb.ccc.ddd) (aa) for 1,(bbb) 2-10 (ccc) 11-25 (ddd) 26-50

T-A Replacement

Engine

C-MAX Tier 3 (2008- ) - RS22 - 90

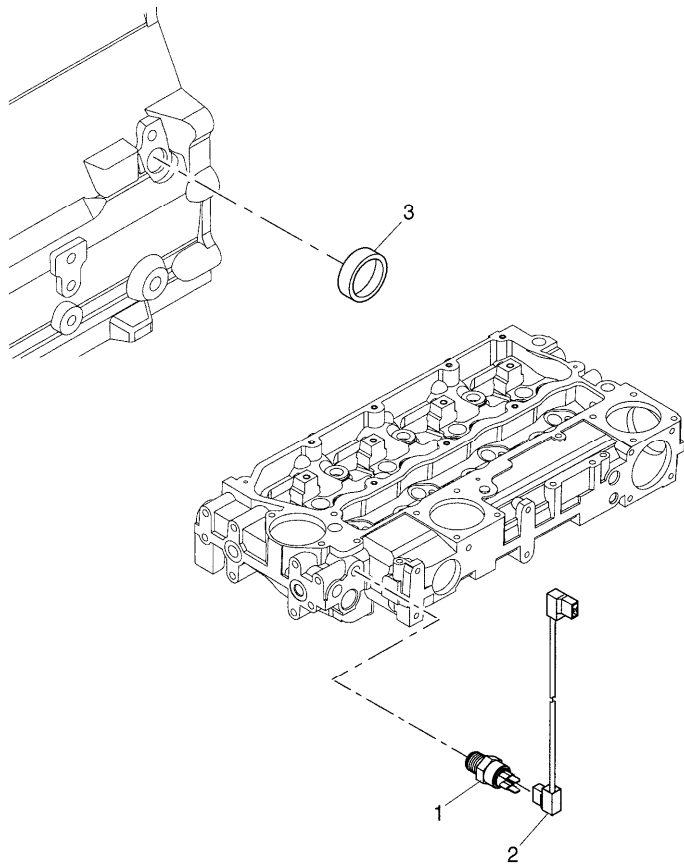
RS22\000020530.png

**A-05**  
**10**



A0510

Sensor pickup



- 1 2848A123 T-A 0:50
  - 2 3161C017
  - 3 2485A109
- T-A Replacement

**Inglese**

- 1 Sensor
- 1 Cable
- 1 Plug

Engine

C-MAX Tier 3 (2008- ) - RS22 - 90

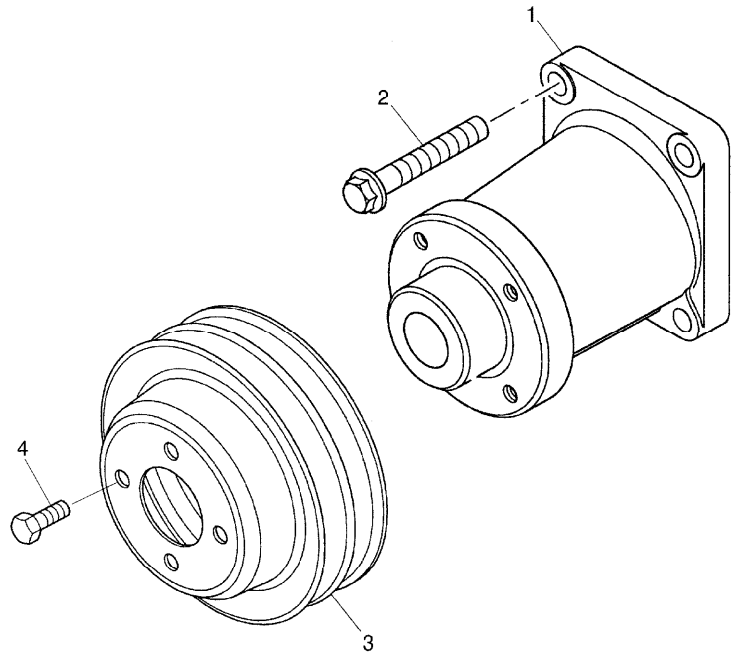
RS22\000015079.png

**A-05**  
**11**



A0511

Fan-type pulley



- 1 4113K005 T-A 1:75
  - 2 2314J005
  - 3 3115C113 T-A 1:50
  - 4 2314C044
- T-A Replacement

**Inglese**

- 1 Housing
- 4 Screw
- 1 Pulley
- 4 Screw

Engine

C-MAX Tier 3 (2008- ) - RS22 - 90

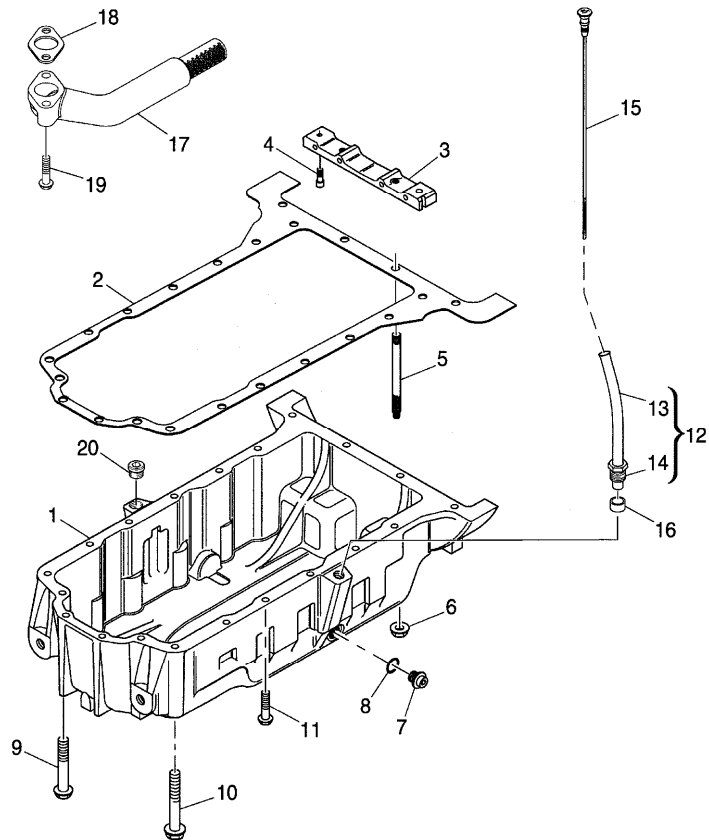
RS22\000014129.png

A-05  
12



A0512

Lubricating oil sump



- |    |          |               |  |
|----|----------|---------------|--|
| 1  | 3717E271 |               |  |
| 2  | 3681K036 | (X) 1.2.5.    |  |
|    |          | T-A 1:50      |  |
| 3  | 3627P041 | T-A 1:50      |  |
| 4  | 2311D039 |               |  |
| 5  | 3211P013 |               |  |
| 6  | 2318A603 |               |  |
| 7  | 32186405 | T-A 0:25      |  |
| 8  | 2415715  | T-A 0:25      |  |
| 9  | 2314H023 |               |  |
| 10 | 2314H022 | ● 2314H052(1) |  |
| 11 | 2314H015 |               |  |
| 12 | 3577A125 | T-A 0:25      |  |
| 13 |          | ! 12          |  |
|    |          | ➡ Ref.n.12    |  |
| 14 | 3353D005 | ! 12          |  |
| 15 | 3178C081 | T-A 0:25      |  |
| 16 | 33812116 |               |  |
| 17 | 3765A091 | T-A 1:75      |  |
| 18 | 36832137 | T-A 1:75      |  |
| 19 | 2314H006 |               |  |
| 20 | 2431A016 |               |  |

Inglese

- |    |            |
|----|------------|
| 1  | Crankcase  |
| 1  | Gasket     |
| 1  | Crosspiece |
| 2  | Screw      |
| 2  | Stud       |
| 2  | Nut        |
| 2  | Plug       |
| 2  | Ring       |
| 5  | Screw      |
| 1  | Screw      |
| 12 | Screw      |
| 1  | Pipe       |
| 1  | Pipe       |
| 1  | Nut        |
| 1  | Rod        |
| 1  | Olive      |
| 1  | Pipe       |
| 1  | Gasket     |
| 2  | Screw      |
| 1  | Plug       |

- ! This is a component of an assembly
- ➡ Not serviced, order
- Replacement

Engine

C-MAX Tier 3 (2008- ) - RS22 - 90

RS22\000014129.png

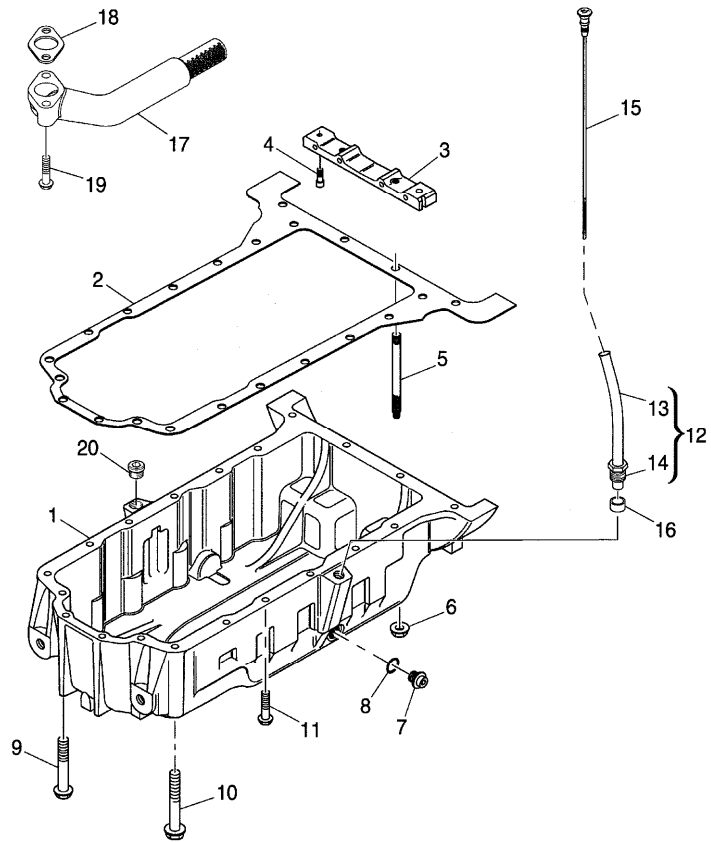
A-05  
12



A0512

Lubricating oil sump

(X) Qty per tractors sold (aa.bbb.ccc.ddd) (aa) for 1,(bbb) 2-10 (ccc) 11-25 (ddd) 26-50  
T-A Replacement



Engine

C-MAX Tier 3 (2008- ) - RS22 - 90

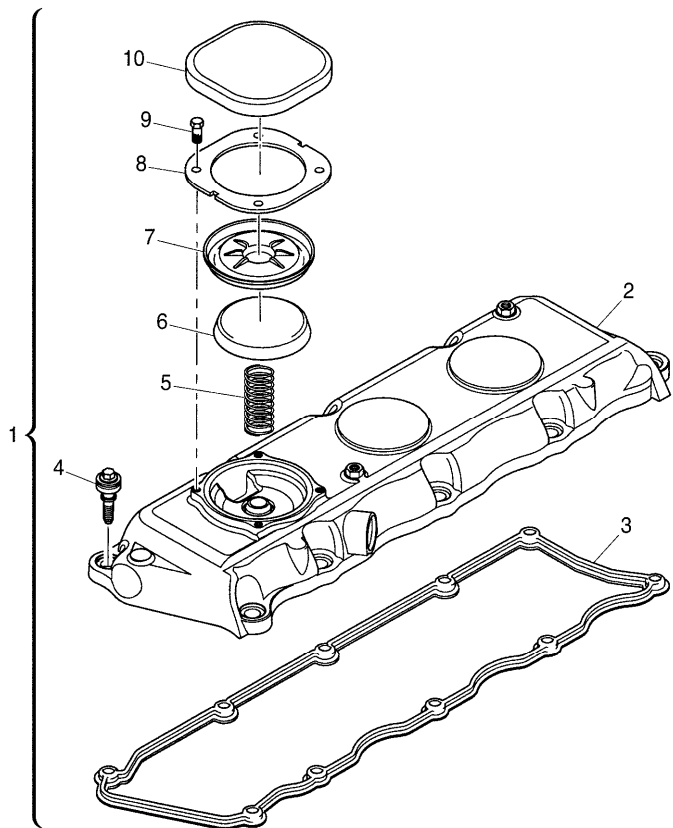
RS22\000020533.png

A-05  
13



A0513

Cylinder head cover



		Inglese	
1	4142X325	● T417478(1)	1 Coperch.
2		! 1	1 Cover
3	3681A055	▣ Ref.n.1	1 Gasket
		(X) 1.2.5.	
		T-A 1:0	
4	2161A013	! 1	10 Screw
5	3174A017	! 1	1 Spring
		T-A 0:25	
6	3788A002	! 1	1 Cap
		T-A 0:25	
7	3789A001	! 1	1 Diaphragm
		T-A 0:25	
8	3615A009	! 1	1 Plate
		T-A 0:25	
9	2151A001	! 1	4 Screw
10	3788A003	! 1	1 Cap
		T-A 0:25	
	!	This is a component of an assembly	
	▣	Not serviced, order	
	●	Replacement	
	(X)	Qty per tractors sold (aa.bbb.ccc.ddd) (aa) for 1,(bbb) 2-10 (ccc) 11-25 (ddd) 26-50	
	T-A	Replacement	

Engine

C-MAX Tier 3 (2008- ) - RS22 - 90

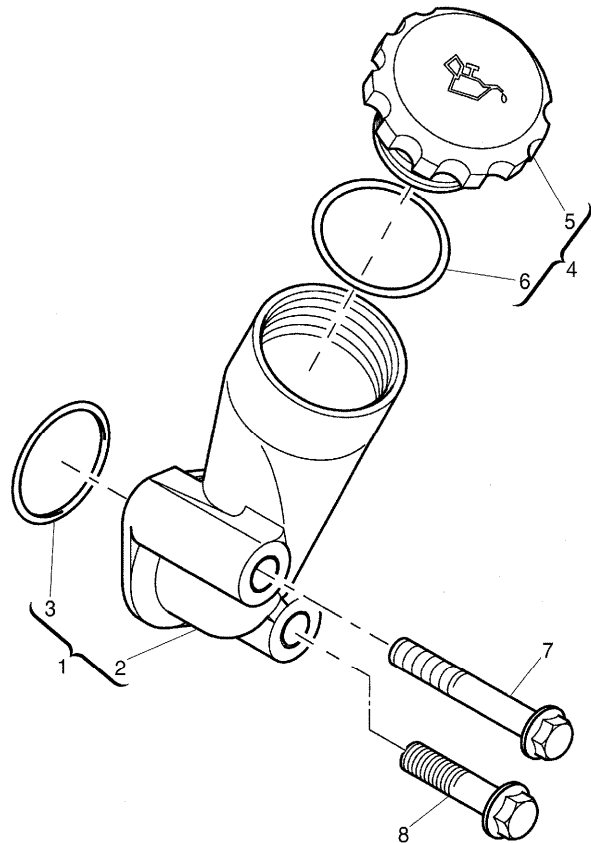
RS22\000020589.png

A-05  
14



A0514

Filler



				Inglese
1	4134C073	T-A 0:25		1 Filler
2		! 1		1 Body
		➡ Ref.n.1		
3	2415H651	! 1		1 O ring
		T-A 0:25		
4	4142X098	! 1		1 Plug
		T-A 0:25		
5		! 4		1 Plug
		➡ Ref.n.4		
6	2415633	! 4		1 O ring
		T-A 0:25		
7	2314K161			1 Screw
8	2314H008			1 Screw
!	This is a component of an assembly			
➡	Not serviced, order			
T-A	Replacement			

Engine

C-MAX Tier 3 (2008- ) - RS22 - 90

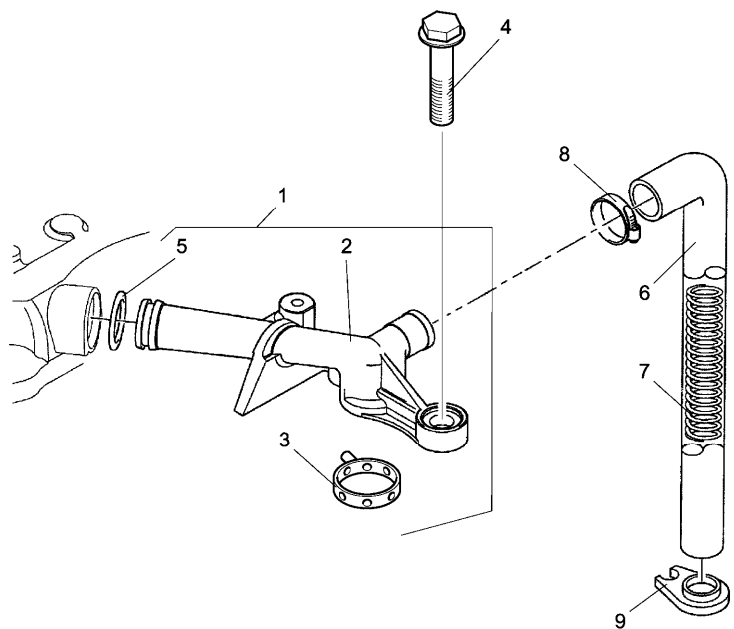
RS22\000014130.png

A-05  
15



A0515

Breather



- 1 4134K022
  - 2 ! 1
  - 3 2415H701 ! 1
  - 4 2314F005
  - 5 2415A068 ! 1
  - 6 33872632 T-A 0:50
  - 7 3175P003 T-A 0:25
  - 8 2481877
  - 9 36241123 T-A 0:25
- ! This is a component of an assembly  
 ➡ Not serviced, order  
 T-A Replacement

Inglese

- 1 Pipe
- 1 Pipe
- 1 Ring
- 2 Screw
- 1 Ring
- 1 Pipe
- 1 Nut
- 1 Clamp
- 1 Support

Engine

C-MAX Tier 3 (2008- ) - RS22 - 90

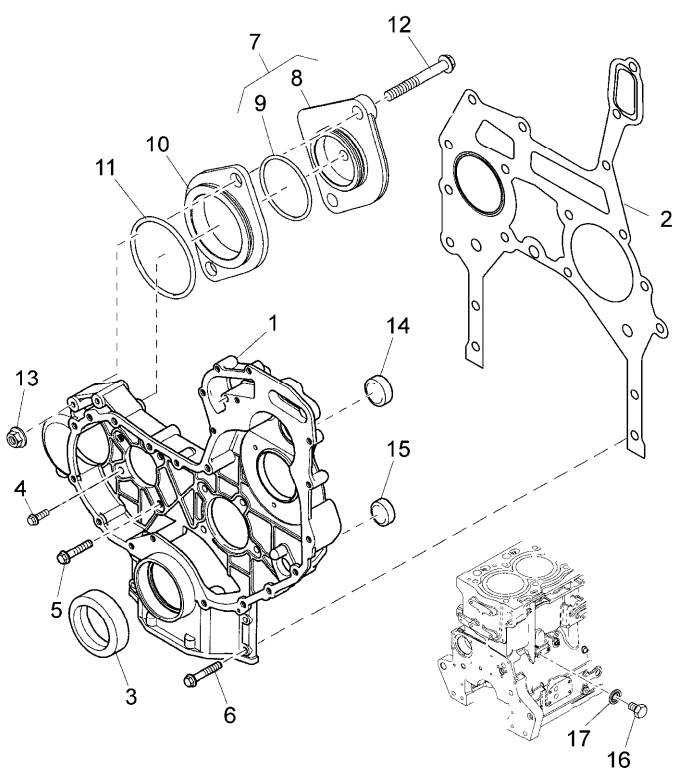
RS22\000015081.png

**A-05  
16**



A0516

Gasket sets



		Inglese
1	3716C581	1 Housing
2	3681P053	1 Gasket
3	2418F437	1 Seal
4	2314H003	6 Screw
5	2314H006	2 Screw
6	2314H034	4 Screw
7	4148K012	1 Plate
8	! 7	1 Plate
	➡ Ref.n.7	
9	2415H515	1 Ring
10	3617a044	1 Disc
11	2415H516	1 O ring
12	2314J014	2 Screw
13	2318A604	2 Nut
14	2485A124	1 Plug
15	2485A124	1 Plug
16	2314C049	1 Screw
17	2415D053	1 Washer
!	This is a component of an assembly	
➡	Not serviced, order	
T-A	Replacement	



**Suggest:**

**For more complete manuals. Please go to the home page.**

**<https://www.ebooklibonline.com>**

**If the above button click is invalid. Please download this document first, and then click the above link to download the complete manual.**

**Thank you so much for reading**

Engine

C-MAX Tier 3 (2008- ) - RS22 - 90

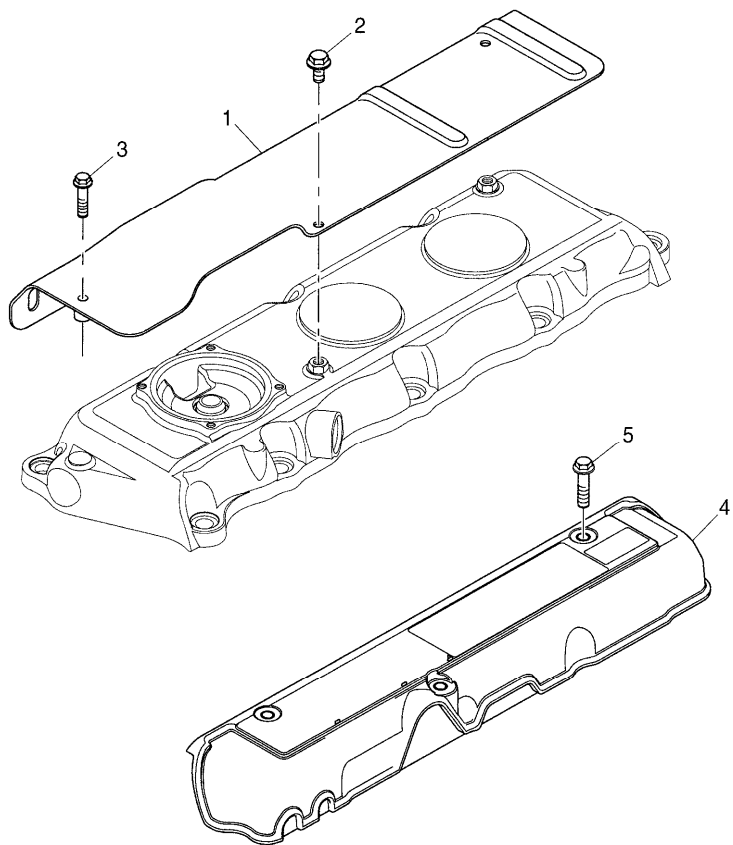
RS22\000020537.png

A-05  
17



A0517

Cylinder head cover



- 1 3812A026 T-A 0:25
  - 2 2314F001
  - 3 2314F006
  - 4 3788N003
  - 5 2314F003
- T-A Replacement

Inglese

- 1 Heatshield
- 2 Screw
- 1 Screw
- 1 Cover
- 3 Screw

Engine

C-MAX Tier 3 (2008- ) - RS22 - 90

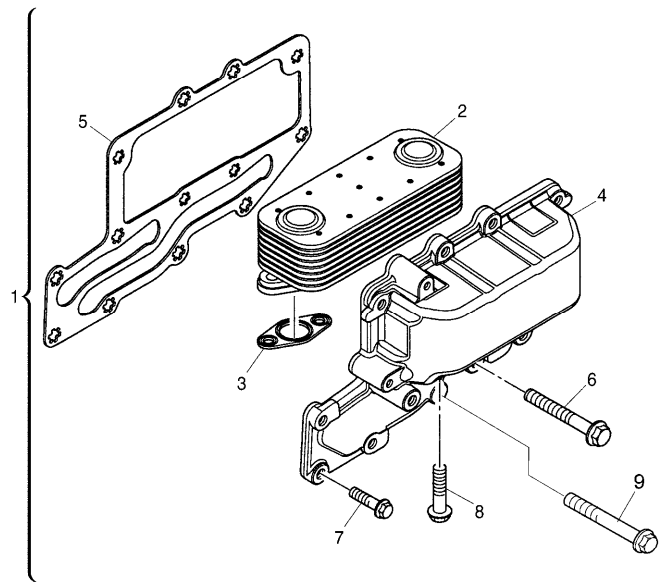
RS22\000015031.png

A-05  
18



A0518

Oil radiator



		Inglese	
1	4134W021	● 4134W025(1)	1 Radiator
2	2486A217	! 1	1 Radiator
		T-A 1:0	
3	3685A025	! 1	2 Ring
		T-A 1:0	
4		! 1	1 Cooler
		➡ Ref.n.1	
5	3685A033	! 1	1 Gasket
6	2314K161	! 1	3 Screw
7	2314H004	! 1	8 Screw
8	2314H006	! 1	4 Screw
9	2311D060	! 1	2 Screw

- ! This is a component of an assembly
- ➡ Not serviced, order
- Replacement
- T-A Replacement

**<https://www.ebooklibonline.com>**

Hello dear friend!

Thank you very much for reading.

Enter the link into your browser.

The full manual is available for immediate download.

**<https://www.ebooklibonline.com>**