

Engine

C-MAX Tier 3 (2008- ) - RS22 - 80

RS22\000020625.png

A-05  
01



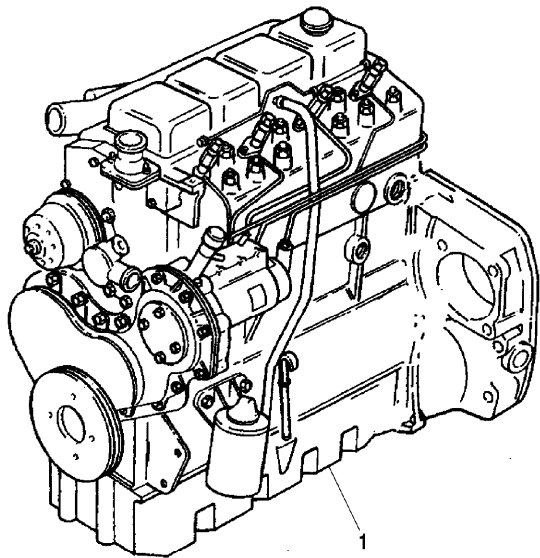
A0501

Engine assembly

Inglese

1 3693232M92

"perkins - nk3885€ 1 Engine  
55.5 kw



Engine

C-MAX Tier 3 (2008- ) - RS22 - 80

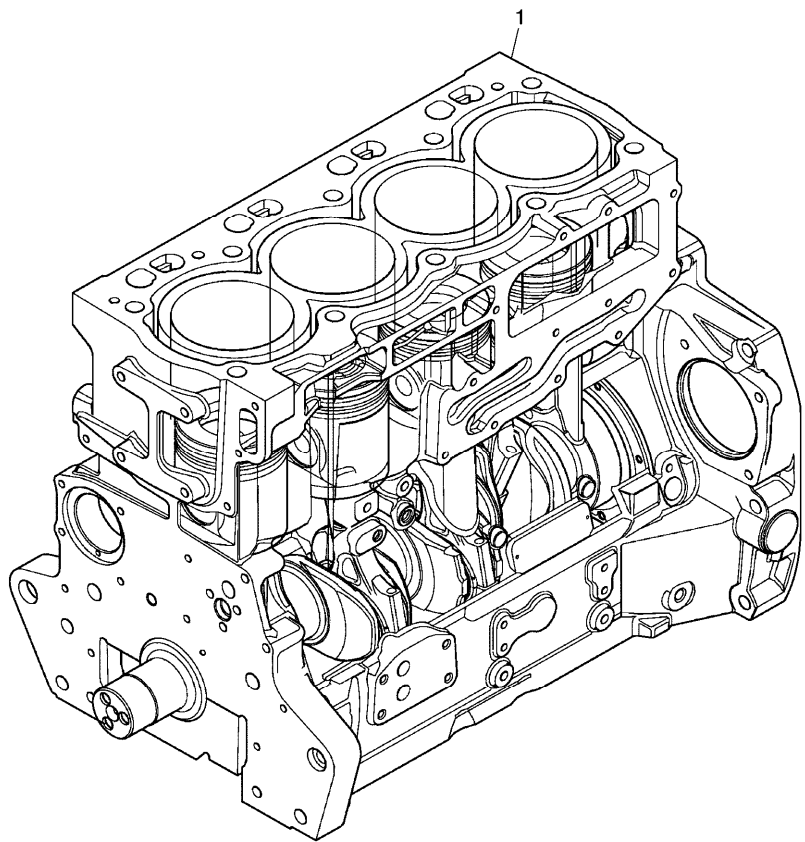
RS22\000015070.png

A-05  
02



A0502

Short engine



Inglese

- |   |         |  |                                  |   |                |
|---|---------|--|----------------------------------|---|----------------|
| 1 | NK40010 |  | U056074 t                        | 1 | Cylinder block |
|   |         |  | 3115A141(1),<br>32186146(3), NK4 |   |                |
| 1 | NK40017 |  | U056075 t                        | 1 | Cylinder block |

- From serial or engine number
- Up to serial or engine number
- Replacement

Engine

C-MAX Tier 3 (2008- ) - RS22 - 80

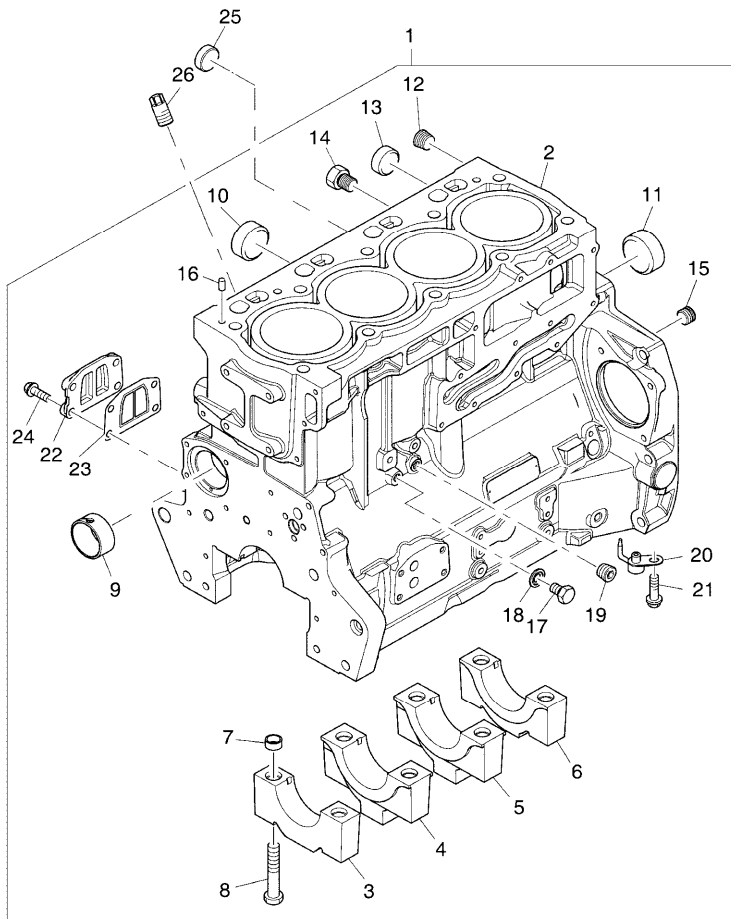
RS22\000015071.png

**A-05  
03**



A0503

Cylinder block



			Inglese
1	👁	A-05 02 01	1 Kit
2	!	1	1 Cylinder block
3	➡	Ref.n.1	1 Bearing
4	!	1	2 Bearing
5	➡	Ref.n.1	1 Bearing
6	!	1	1 Bearing
7	!	33142111	10 Manicott
8	!	32166329	10 Screw
9	!	3112D071	1 Bush
	●	3112D075(1)	
10		3241A011	2 Plug
11		3241A012	1 Plug
12	!	0650588	1 Plug
13	!	0650710	1 Plug
14		32141316	1 Plug
15		3212P008	1 Plug
16		3244A009	2 Dowel
17	!	2314C049	1 Screw
18	!	2415D053	1 Washer
19	!	0650594	1 Plug

**<https://www.ebooklibonline.com>**

Hello dear friend!

Thank you very much for reading.

Enter the link into your browser.

The full manual is available for immediate download.

**<https://www.ebooklibonline.com>**

Engine

C-MAX Tier 3 (2008- ) - RS22 - 80

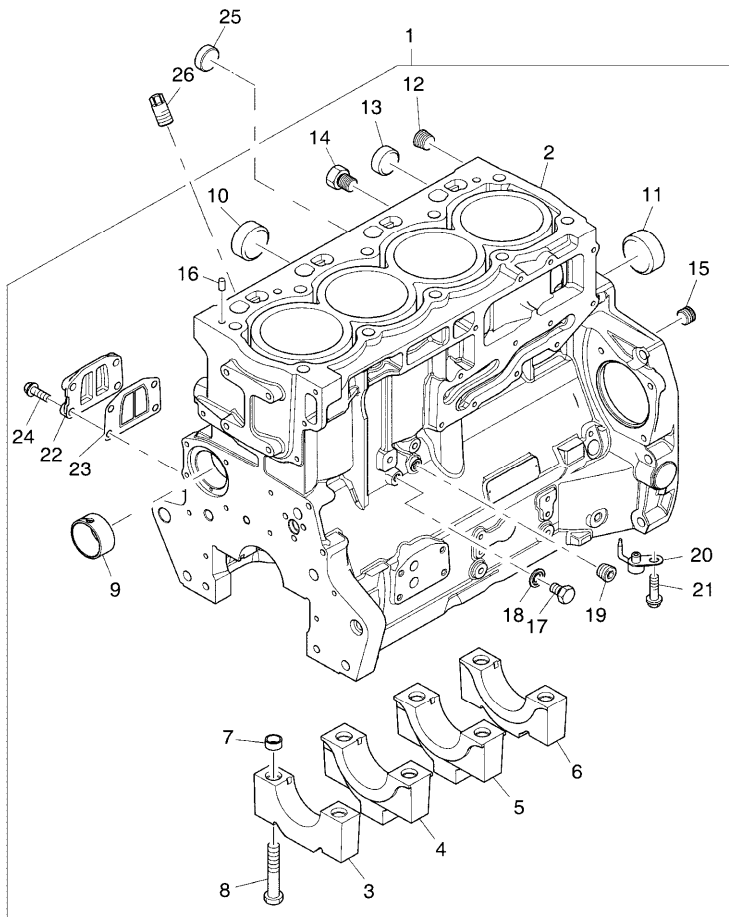
**A-05  
03**



A0503

Cylinder block

RS22\000015071.png



**Inglese**

- 20 2113A003
- 21 2314F001
- 22 3753A071
- 23 3688A041
- 24 2314H034
- 25 2485A108
- 26 3212V006
- 4 Atomiser
- 4 Screw
- 1 Coperch.
- 1 Ring
- 4 Screw
- 1 Plug
- 1 Plug

- ! This is a component of an assembly
- 👁 See page - reference number
- 🔧 Not serviced, order
- 🔩 Replacement

Engine

C-MAX Tier 3 (2008- ) - RS22 - 80

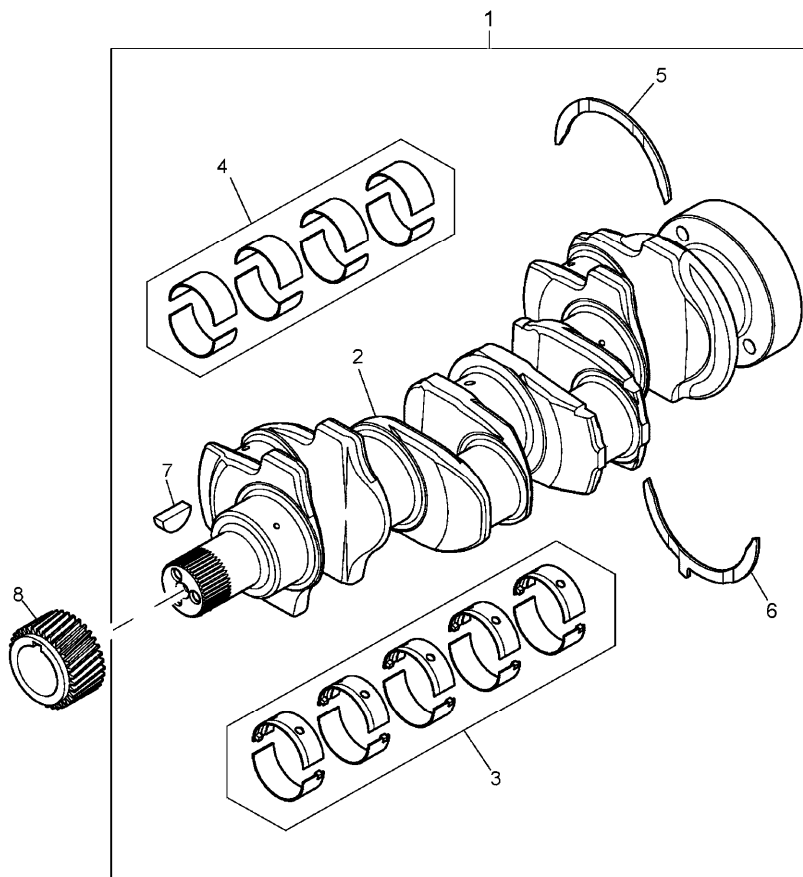
RS22\000015073.png

A-05  
04



A0504

Camshaft



		Inglese	
1	ZZ90222	➔ U056074 t	1 Kit
		● ZZ90239(1)	
1	ZZ90237	➔ U056075 t	1 Shaft
2		! 1	1 Shaft
		➔ Ref.n.1	
3	U5MB0018	! 1	1 Kit
		➔ U056074 t	
		● U5MB0033(1)	
		T-A 15:0	
3	U5MB0018A	! 1	1 Kit
		⚡ 0.010"	
		➔ U056074 t	
		● U5MB0033A(1)	
		T-A 15:0	
3	U5MB0018B	! 1	1 Kit
		⚡ 0.020"	
		➔ U056074 t	
		● U5MB0033B(1)	
		T-A 15:0	
3	U5MB0018C	! 1	1 Kit
		⚡ 0.030"	
		➔ U056074 t	
		● N.L.A.(1)	
		T-A 15:0	
3	U5MB0033	! 1	1 Kit
		➔ U056075 t	

Engine

C-MAX Tier 3 (2008- ) - RS22 - 80

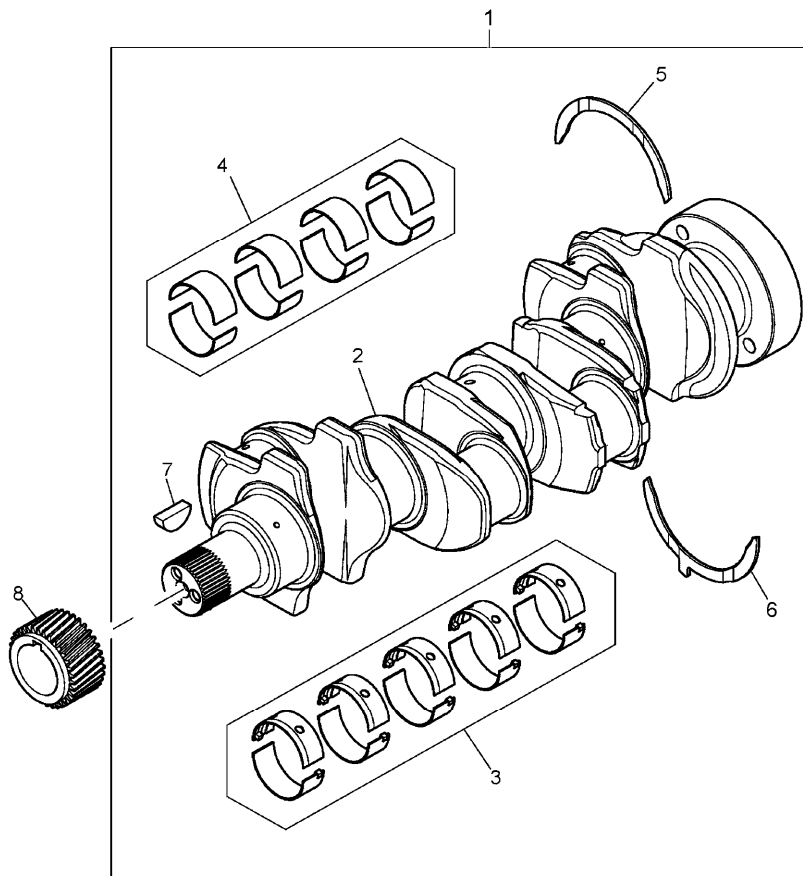
A-05  
04



A0504

Camshaft

RS22\000015073.png



Inglese

3	U5MB0033A	!	1	1 Kit
		⚡	-0,25mm	
		➔	U056075 t	
3	U5MB0033B	!	1	1 Kit
		⚡	-0,50mm	
		➔	U056075 t	
3	U5MB0033C	!	1	1 Kit
		⚡	-0,75mm	
		➔	U056075 t	
		●	N.L.A.(1)	
4	T400002	!	1	1 Kit
		➔	U056075 t	
		●	T410927(1)	
4	U5ME0026	!	1	1 Kit
		➔	U056074 t	
		●	U5ME0034(1)	
4	U5ME0026A	!	1	1 Kit
		⚡	0.25mm	
		➔	U056074 t	
		●	U5ME0034A(1)	
4	U5ME0026B	!	1	1 Kit
		⚡	0.50mm	
		➔	U056074 t	
		●	U5ME0034B(1)	

Engine

C-MAX Tier 3 (2008- ) - RS22 - 80

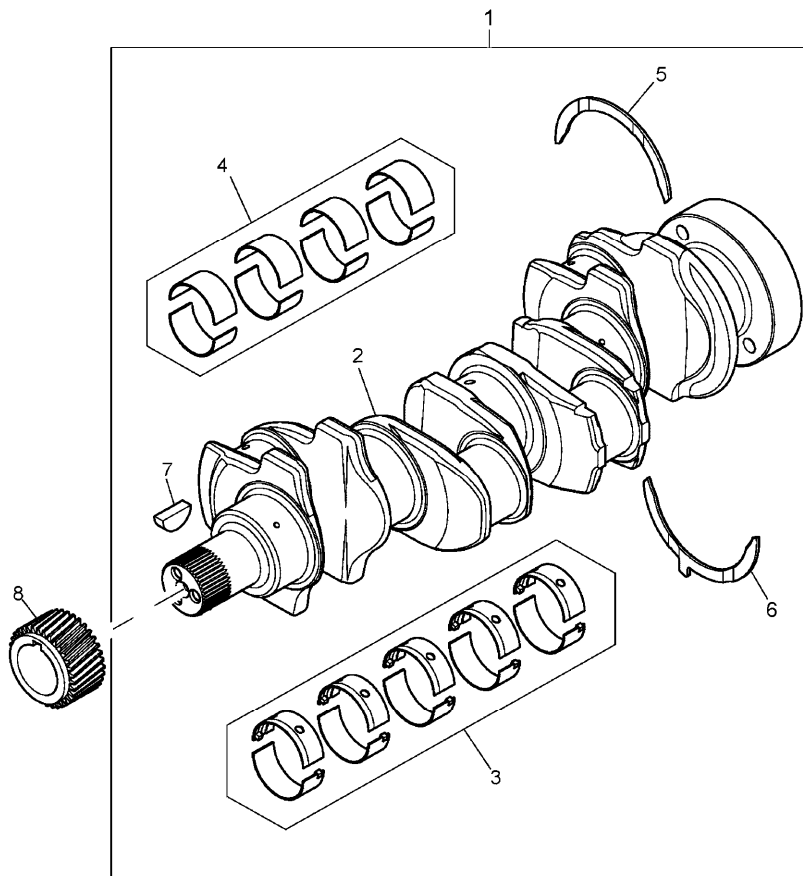
RS22\000015073.png

A-05  
04



A0504

Camshaft



		Inglese	
4	U5ME0026C	! 1	1 Kit
		✂ 0.75mm	
		➔ U056074 t	
		● U5ME0034C(1)	
5	31137312	! 1	2 Ring
		✂ 0.007"	
		T-A 15:0	
5	31137551	! 1	2 Washer
		T-A 15:0	
6	31137322	! 1	2 Ring
		✂ 0.007"	
		T-A 15:0	
6	31137561	! 1	2 Washer
		T-A 15:0	
7	0500012	! 1	1 Key
		T-A 10:0	
8	3117C221	T-A 10:0	1 Gear
!	This is a component of an assembly		
➔	From serial or engine number		
➔	Up to serial or engine number		
🛠	Not serviced, order		
✂	Shim		
●	Replacement		
T-A	Replacement		

Engine

C-MAX Tier 3 (2008- ) - RS22 - 80

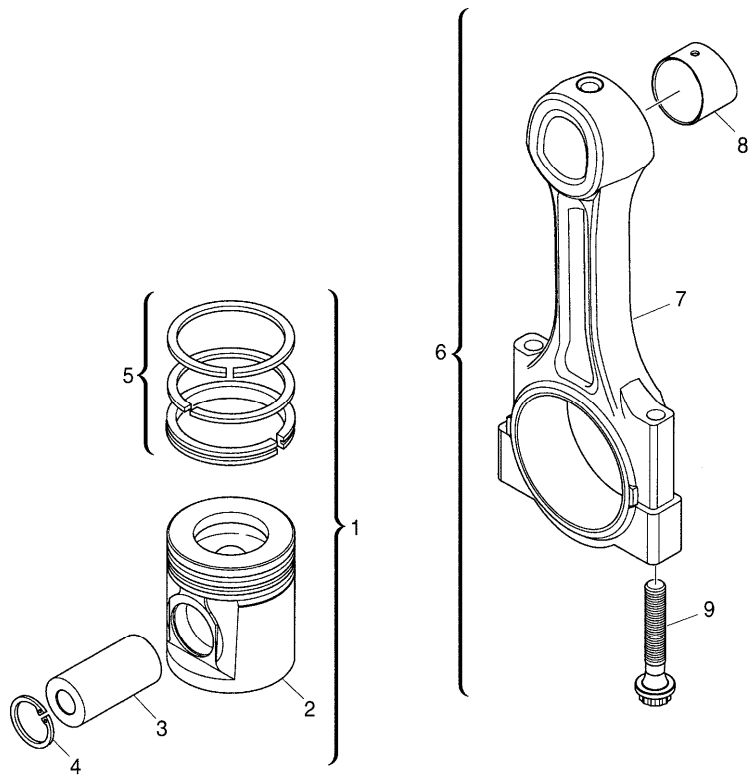
RS22\000020525.png

A-05  
05



A0505

Pistons and connecting rods



		Inglese
1	U5PR0063	4 Kit
2	! 1	1 Piston
	➡ Ref.n.1	
3	! 1	1 Pin
	➡ Ref.n.1	
4	2721332 ! 1	2 Ring
5	UPRK0003 ! 1	1 Kit
	(X) 0.2.5.	
	T-A 11:25	
6	4115C311 ➡ U056074 t	4 Kit
	A	
	T-A 14:0	
6	4115C312 ➡ U056074 t	4 Kit
	B	
	T-A 14:0	
6	4115C313 ➡ U056074 t	4 Kit
	C	
	T-A 14:0	
6	4115C314 ➡ U056074 t	4 Kit
	D	
	T-A 14:0	
6	4115C315 ➡ U056074 t	4 Kit
	E	
	T-A 14:0	

Engine

C-MAX Tier 3 (2008- ) - RS22 - 80

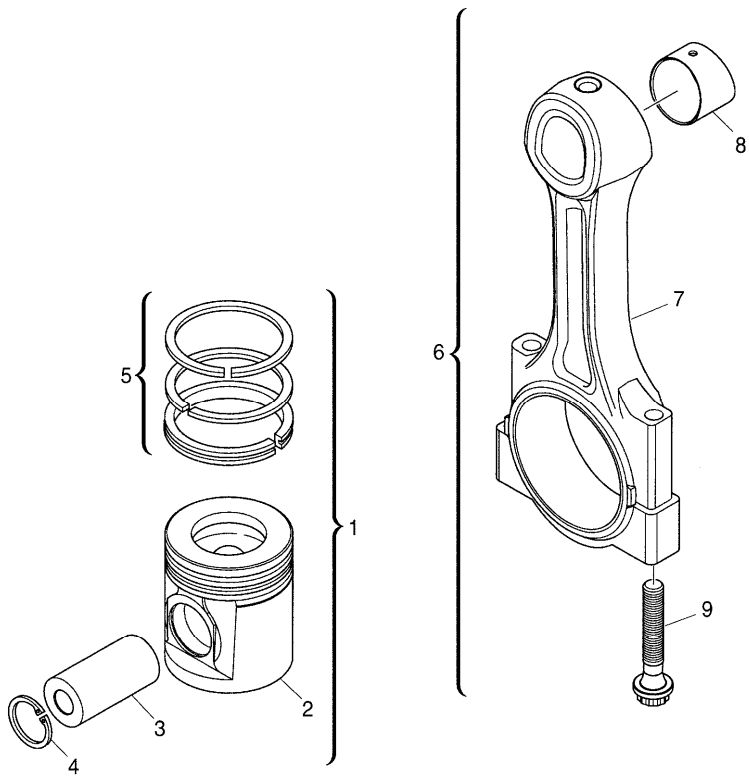
RS22\000020525.png

A-05  
05



A0505

Pistons and connecting rods



		Inglese	
6	4115C316	➡ U056074 t F T-A 14:0	4 Kit
6	4115C361	➡ U056075 t A	4 Conrod
6	4115C362	➡ U056075 t B	4 Conrod
6	4115C363	➡ U056075 t C	4 Conrod
6	4115C364	➡ U056075 t D	4 Conrod
6	4115C365	➡ U056075 t E	4 Conrod
6	4115C366	➡ U056075 t F	4 Conrod
7		! 6 ➡ Ref.n.6	1 Conrod
8	3112A005	! 6 T-A 14:0	1 Bush
9	3212V003	! 6 ➡ U056074 t	2 Screw
9	T400001	! 6 ➡ U056075 t	2 Screw

- ! This is a component of an assembly
- ➡ From serial or engine number
- ➡ Up to serial or engine number
- ➡ Not serviced, order

Engine

C-MAX Tier 3 (2008- ) - RS22 - 80

RS22\000020525.png

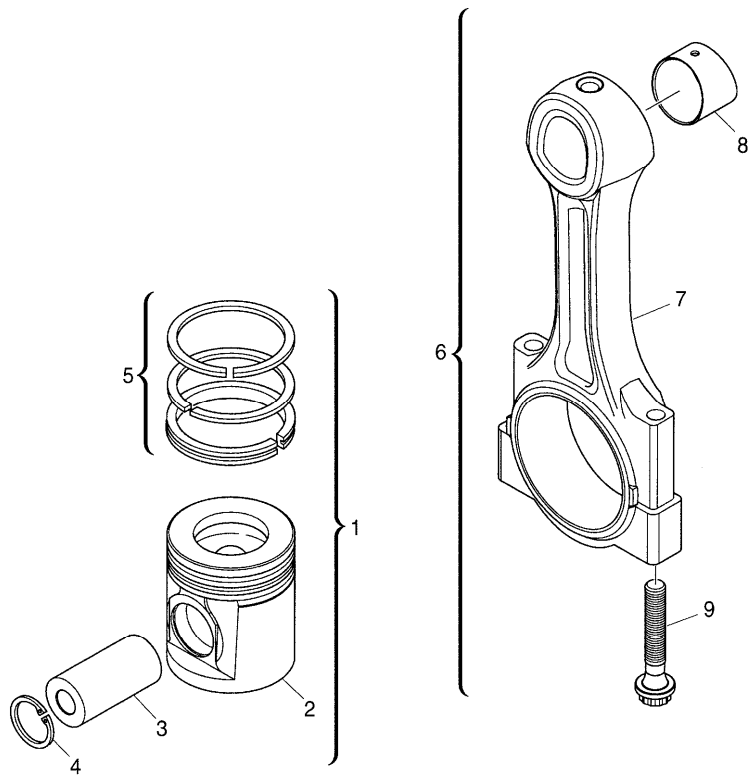
A-05  
05



A0505

Pistons and connecting rods

- (X) Qty per tractors sold (aa.bbb.ccc.ddd) (aa) for 1,(bbb) 2-10 (ccc) 11-25 (ddd) 26-50
- T-A Replacement
- A Red
- B Orange
- C White
- D Green
- E Purple
- F Blue



Engine

C-MAX Tier 3 (2008- ) - RS22 - 80

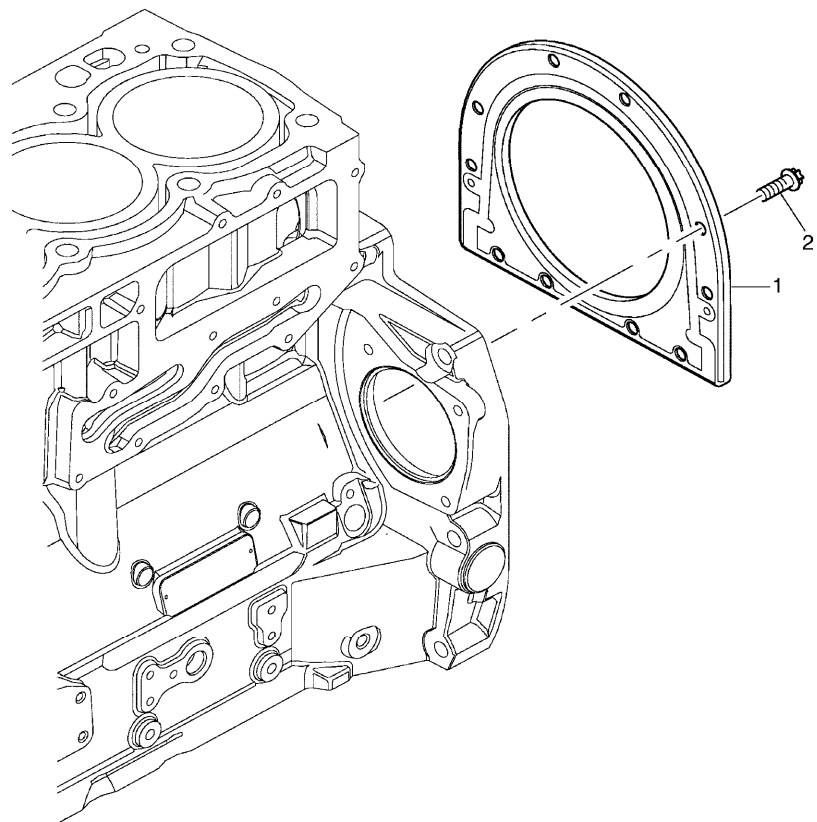
RS22\000015074.png

A-05  
06



A0506

End cover



1 2418F704 T-A 9:0

2 3211C002

T-A Replacement

Inglese

1 Housing

6 Screw

Engine

C-MAX Tier 3 (2008- ) - RS22 - 80

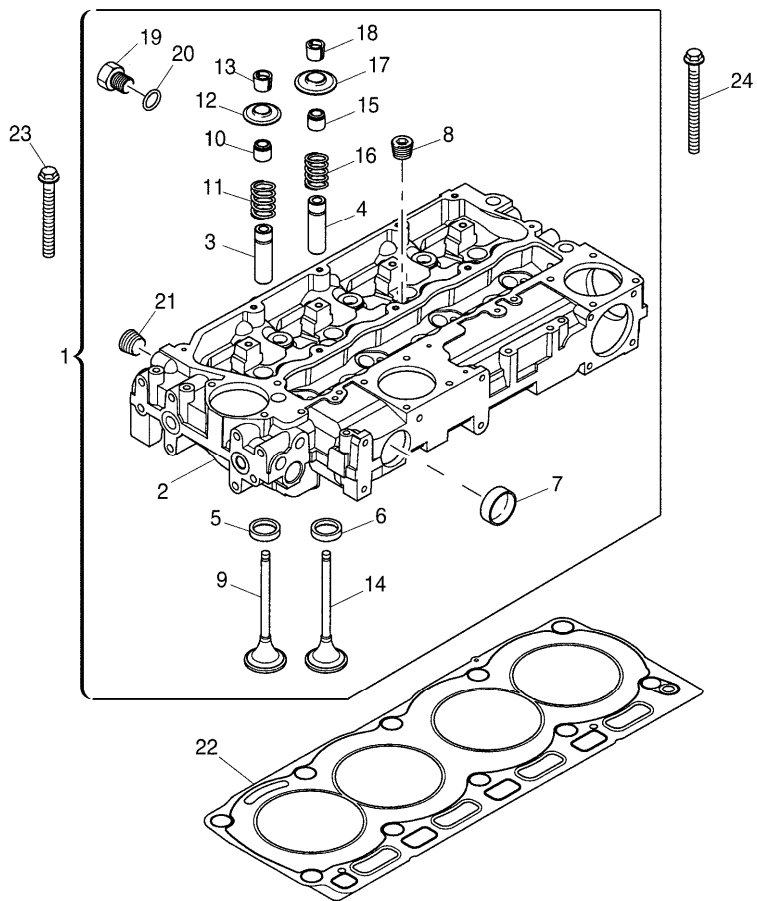
**A-05  
07**



A0507

Cylinder head

RS22\000020527.png



			Inglese
1	ZZ80281		1 Cylinder head
2		! 1	1 Head
3	3313A012	! 1 ➡ Ref.n.1	4 Insert
4	3313E021	T-A 7:50 ! 1	4 Guide
		● 3313A012(4) T-A 7:50	
5	3314A221	! 1	4 Insert
6	3314A231	! 1	4 Insert
7	32416117	! 1	2 Plug
8	0650588	! 1	4 Plug
9	3142H101	! 1	4 Valve
10	2418M519	! 1	4 Ring
		A	
11	3174A031	! 1	4 Spring
		● T417479(4)	
12	3342A021	! 1	4 Coperch.
13	2714A002	! 1	8 Collar
14	3142A171	! 1	4 Valve
15	2418M517	! 1	4 Ring
		B	
16	3174A031	! 1	4 Spring
		● T417479(4)	
17	3342A021	! 1	4 Coperch.



Engine

C-MAX Tier 3 (2008- ) - RS22 - 80

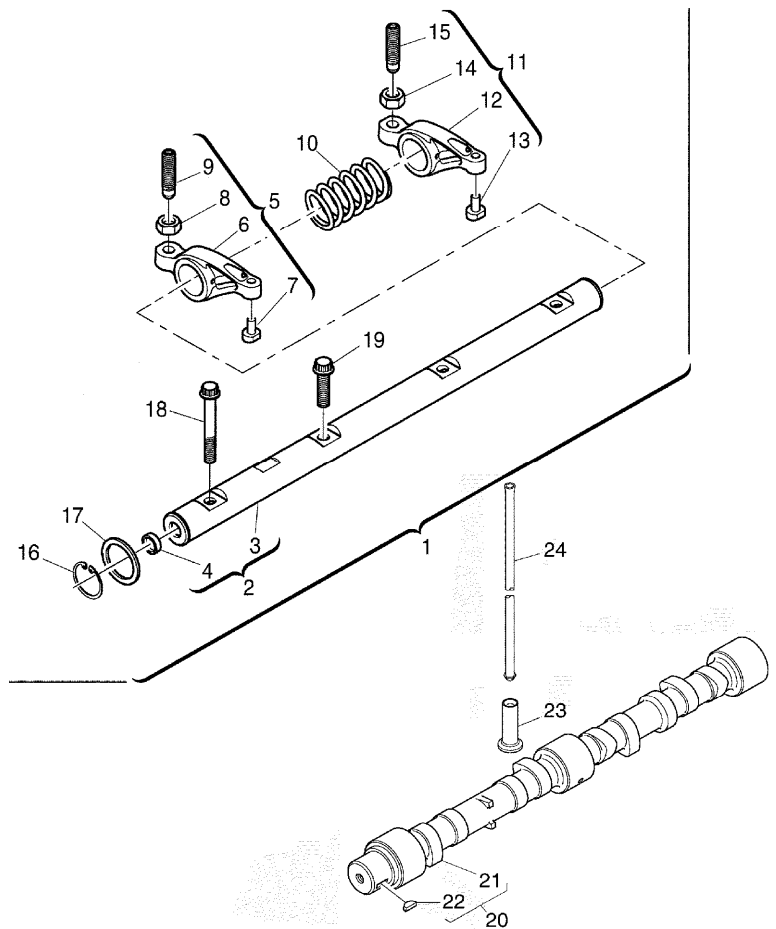
RS22\000015075.png

A-05  
08



A0508

Rocker shaft



			Inglese
1	4115R613		1 Axle
2	4115R703	! 1	1 Shaft
		T-A 4:0	
3		! 2	1 Shaft
		➡ Ref.n.2	
4	2485A104	! 2	2 Plug
5	4115R319	! 1	4 Lever
6		! 5	1 Rocker
		➡ Ref.n.5	
7		! 5	1 Pad
		➡ Ref.n.5	
8	3331A006	! 5	1 Nut
9	3211C004	! 5	1 Screw
10	3174A015	! 1	3 Spring
		T-A 4:0	
11	4115R318	! 1	4 Lever
12		! 11	1 Rocker
		➡ Ref.n.11	
13		! 11	1 Pad
		➡ Ref.n.11	
14	3331A006	! 11	1 Nut
15	3211C004	! 11	1 Screw
16	2722A022	! 1	2 Ring
17	2134A502	! 1	2 Washer
18	2316A901	! 1	1 Screw

Engine

C-MAX Tier 3 (2008- ) - RS22 - 80

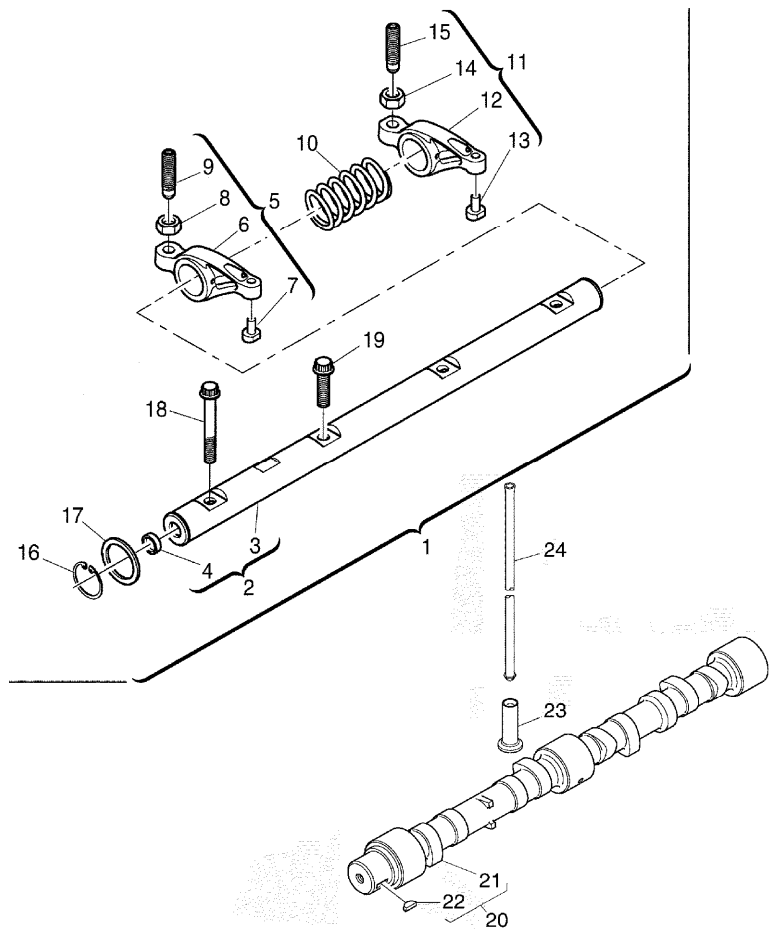
RS22\000015075.png

A-05  
08



A0508

Rocker shaft



- 19 2316A902 ! 1
- 20 4112K074
- 21 ! 20
- ! Ref.n.20
- 22 0500012 ! 20
- 23 3142U061
- 24 3142V011
- ! This is a component of an assembly
- Not serviced, order
- T-A Replacement

Inglese

- 3 Screw
- 1 Shaft
- 1 Shaft
- 1 Key
- 8 Tappet
- 8 Rod

Engine

C-MAX Tier 3 (2008- ) - RS22 - 80

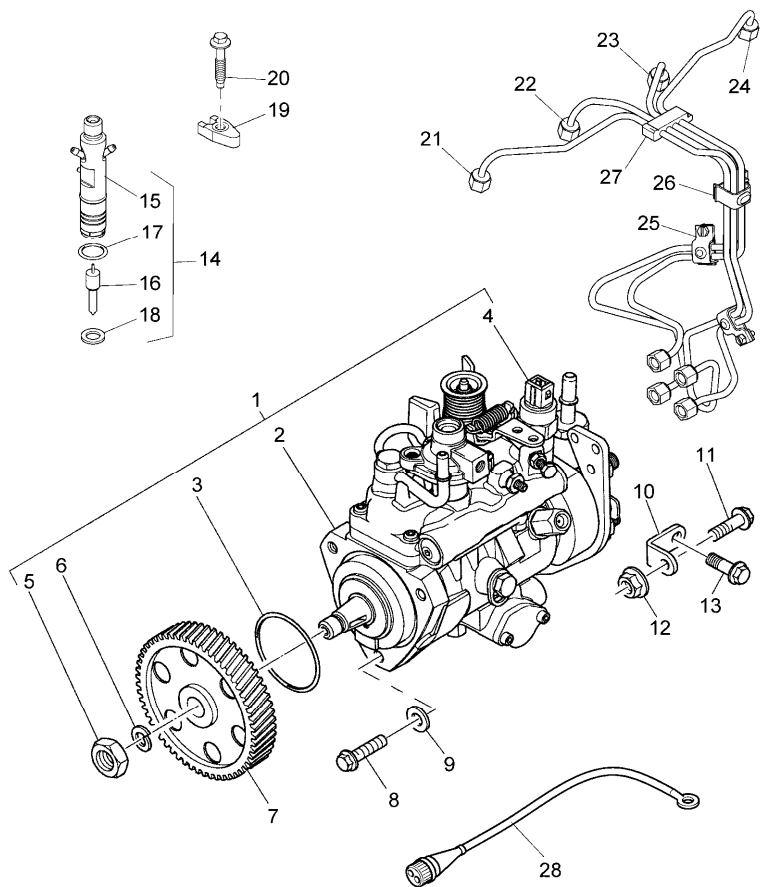
A-05  
09



A0509

Fuel injection equipment (diesel)

RS22\000015076.png



		Inglese
1	2644C319/22	1 Pump
2	! 1	1 Pump
	➡ Ref.n.1	
3	26420318 ! 1	1 Ring
4	26420469 ! 1	1 Solenoid
	12v	
5	2318A108 ! 1	1 Nut
6	K134AF01 ! 1	1 Washer
7	3117L261	1 Gear
8	2314H004	3 Screw
9	2411D008	6 Washer
10	3641A007	1 Stirrup
11	2314H003	1 Screw
12	2318A603	1 Nut
13	2314J002	1 Screw
14	2645K027	1 Nozzle
15	! 14	1 Support
	➡ Ref.n.14	
16	! 14	1 Nozzle
	➡ Ref.n.14	
17	26460064 ! 14	1 Ring
18	L311FF02 ! 14	1 Washer
19	3751A241	4 Clamp
20	2314W009	4 Screw
21	3525A101	1 Pipe

Engine

C-MAX Tier 3 (2008- ) - RS22 - 80

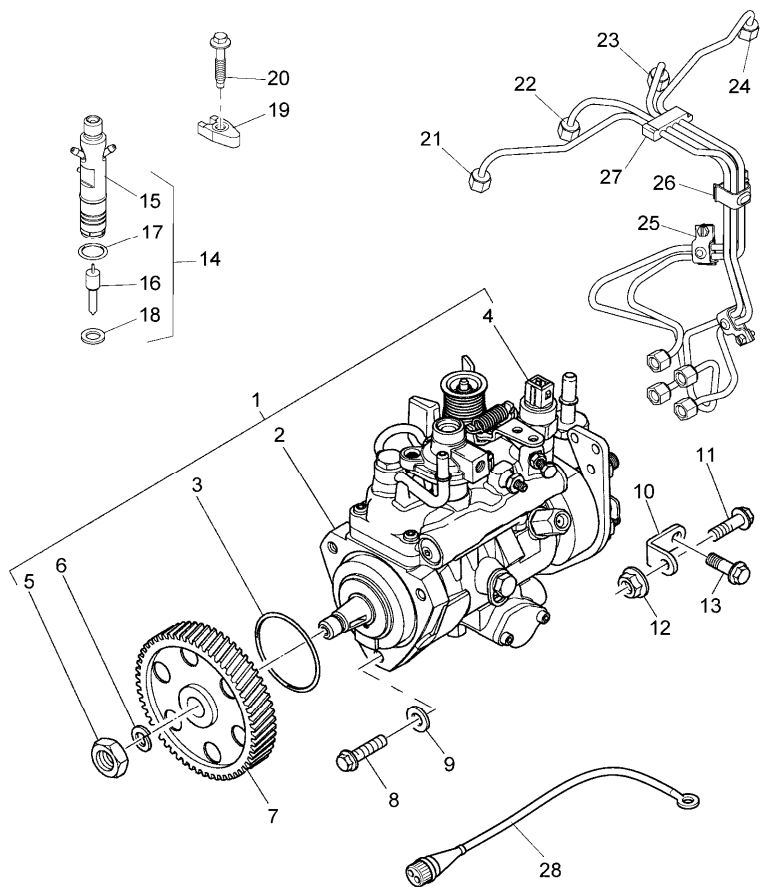
A-05  
09



A0509

Fuel injection equipment (diesel)

RS22\000015076.png



Inglese

- 22 3525A102 1 Pipe
- 23 3525A103 1 Pipe
- 24 3525A104 1 Pipe
- 25 2481Y011 2 Clip
- 26 2481Y012 1 Clip
- 27 2646E019 1 Clip
- 28 3673286M91 "bosch" 1 Harness

- ! This is a component of an assembly
- 🔪 Not serviced, order

Engine

C-MAX Tier 3 (2008- ) - RS22 - 80

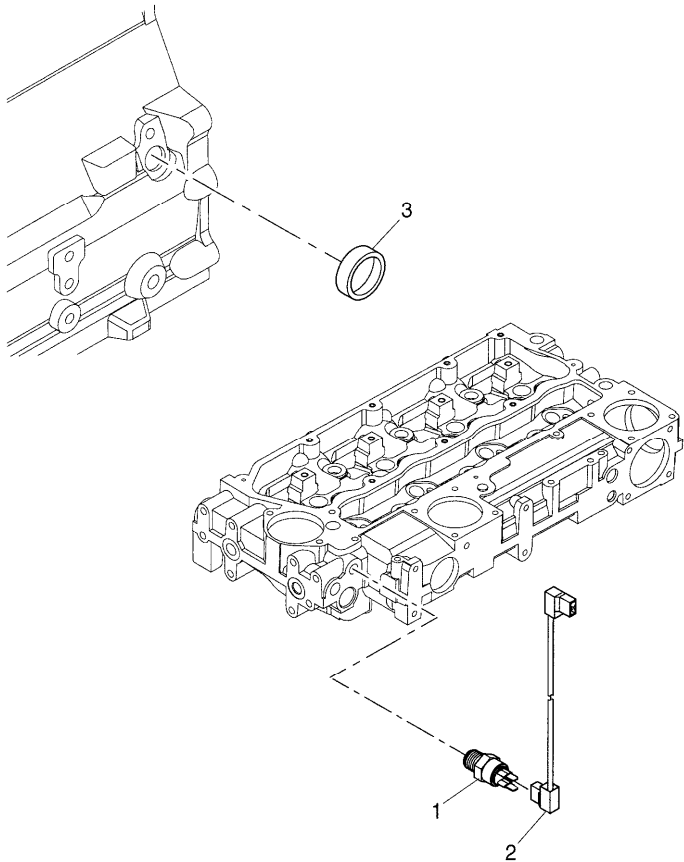
RS22\000020530.png

A-05  
10



A0510

Sensor pickup



1 2848A123 A  
T-A 0:50

2 3161C017  
3 2485A109

T-A Replacement  
A Water temperature

Inglese

1 Sensor

1 Cable

1 Plug

Engine

C-MAX Tier 3 (2008- ) - RS22 - 80

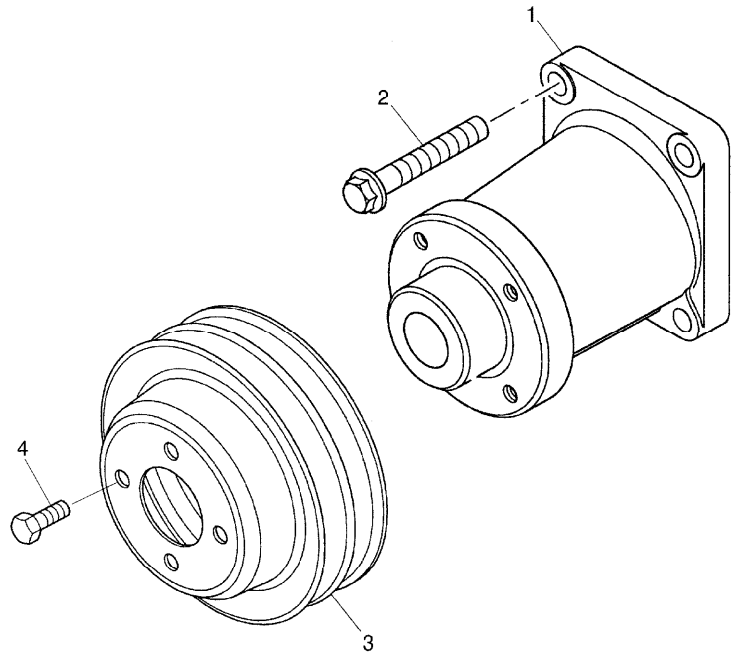
RS22\000015079.png

**A-05**  
**11**



A0511

Fan-type pulley



- 1 4113K005 T-A 1:75
  - 2 2314J005
  - 3 3115C113
  - 4 2314C044
- T-A Replacement

**Inglese**

- 1 Housing
- 4 Screw
- 1 Pulley
- 4 Screw

Engine

C-MAX Tier 3 (2008- ) - RS22 - 80

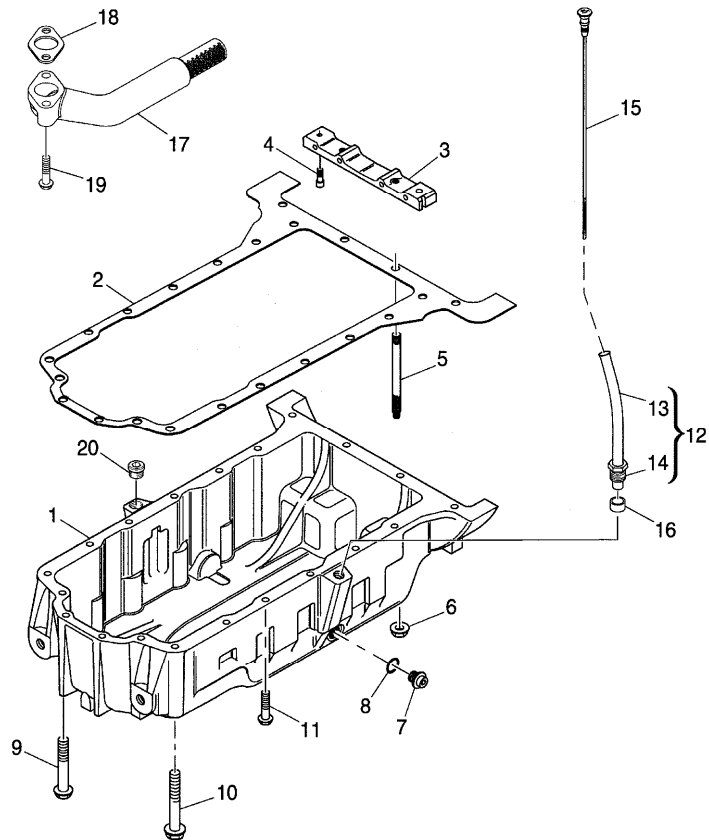
RS22\000014129.png

A-05  
12



A0512

Lubricating oil sump



1	3717E271			
2	3681K036	(X)	1.2.5.	
		T-A	1:50	
3	3627P041	T-A	1:50	
4	2311D039			
5	3211P013			
6	2318A603			
7	32186405	T-A	0:25	
8	2415715	T-A	0:25	
9	2314H023			
10	2314H022	●	2314H052(1)	
11	2314H015			
12	3577A125	T-A	0:25	
13		!	12	
		▶	Ref.n.12	
14	3353D005	!	12	
15	3178C081	T-A	0:25	
16	33812116			
17	3765A091	T-A	1:75	
18	36832137	T-A	1:75	
19	2314H006			
20	2431A016			

Inglese

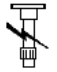
1	Crankcase
1	Gasket
1	Crosspiece
2	Screw
2	Stud
2	Nut
2	Plug
2	Ring
5	Screw
1	Screw
12	Screw
1	Pipe
1	Pipe
1	Nut
1	Rod
1	Olive
1	Pipe
1	Gasket
2	Screw
1	Plug

- ! This is a component of an assembly
- ▶ Not serviced, order
- Replacement

Engine

C-MAX Tier 3 (2008- ) - RS22 - 80

**A-05**  
**12**

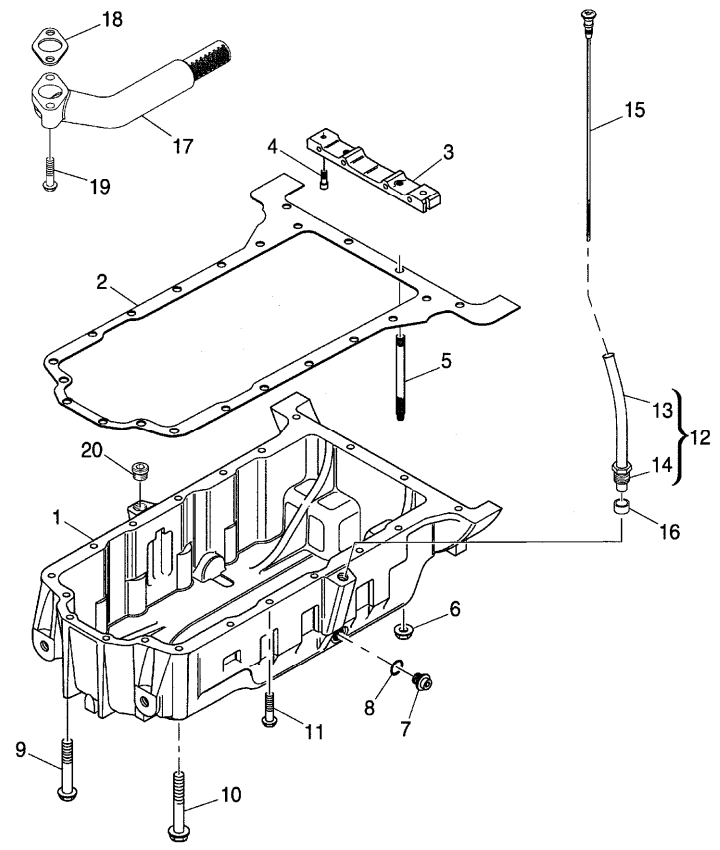


A0512

Lubricating oil sump

RS22\000014129.png

(X) Qty per tractors sold (aa.bbb.ccc.ddd) (aa) for 1,(bbb) 2-10 (ccc) 11-25 (ddd) 26-50  
T-A Replacement



Engine

C-MAX Tier 3 (2008- ) - RS22 - 80

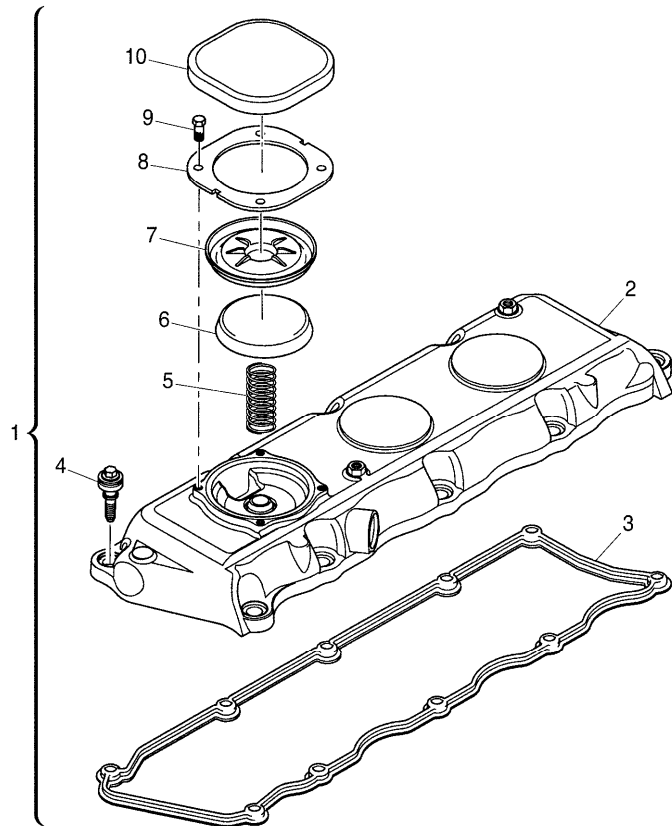
A-05  
13



A0513

Cylinder head cover

RS22\000020533.png



		Inglese	
1	4142X325	● T417478(1)	1 Coperch.
2		! 1	1 Cover
3	3681A055	▣ Ref.n.1	1 Gasket
		(X) 1.2.5.	
		T-A 1:0	
4	2161A013	! 1	10 Screw
5	3174A017	! 1	1 Spring
		T-A 0:25	
6	3788A002	! 1	1 Cap
		T-A 0:25	
7	3789A001	! 1	1 Diaphragm
		T-A 0:25	
8	3615A009	! 1	1 Plate
		T-A 0:25	
9	2151A001	! 1	4 Screw
10	3788A003	! 1	1 Cap
		T-A 0:25	
	!	This is a component of an assembly	
	▣	Not serviced, order	
	●	Replacement	
	(X)	Qty per tractors sold (aa.bbb.ccc.ddd) (aa) for 1,(bbb) 2-10 (ccc) 11-25 (ddd) 26-50	
	T-A	Replacement	

Engine

C-MAX Tier 3 (2008- ) - RS22 - 80

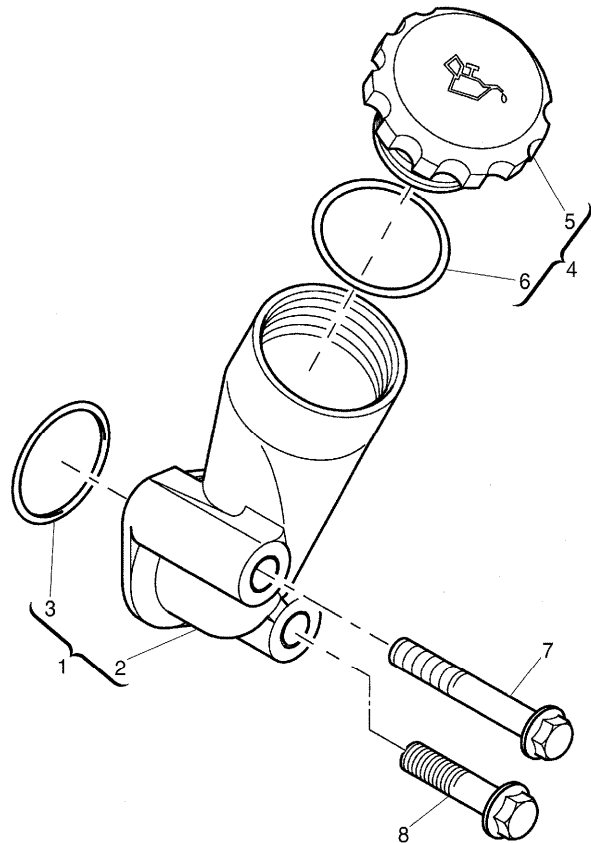
RS22\000020589.png

**A-05  
14**



A0514

Filler



**Inglese**

1	4134C073	T-A 0:25	1	Filler
2		! 1	1	Body
		➡ Ref.n.1		
3	2415H651	! 1	1	O ring
		T-A 0:25		
4	4142X098	! 1	1	Plug
		(X) 1.3.5.1		
		T-A 0:25		
5		! 4	1	Plug
		➡ Ref.n.4		
6	2415633	! 4	1	O ring
		T-A 0:25		
7	2314K161		1	Screw
8	2314H008		1	Screw
		! This is a component of an assembly		
		➡ Not serviced, order		
		(X) Qty per tractors sold (aa.bbb.ccc.ddd) (aa) for 1,(bbb) 2-10 (ccc) 11-25 (ddd) 26-50		
		T-A Replacement		

Engine

C-MAX Tier 3 (2008- ) - RS22 - 80

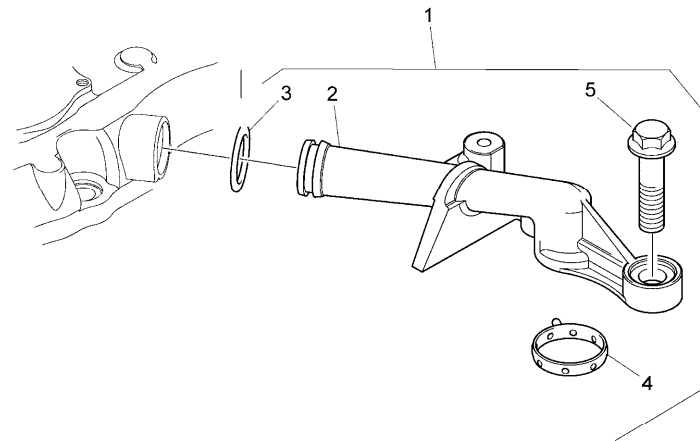
RS22\000015080.png

**A-05  
15**



A0515

Breather



		Inglese	
1	4134K021	1	Pipe
2	!	1	Pipe
	➡ Ref.n.1		
3	2415A068	1	Ring
4	2415H701	1	Ring
5	2314F005	2	Screw
!	This is a component of an assembly		
➡	Not serviced, order		



**Suggest:**

**For more complete manuals. Please go to the home page.**

**<https://www.ebooklibonline.com>**

**If the above button click is invalid. Please download this document first, and then click the above link to download the complete manual.**

**Thank you so much for reading**

Engine

C-MAX Tier 3 (2008- ) - RS22 - 80

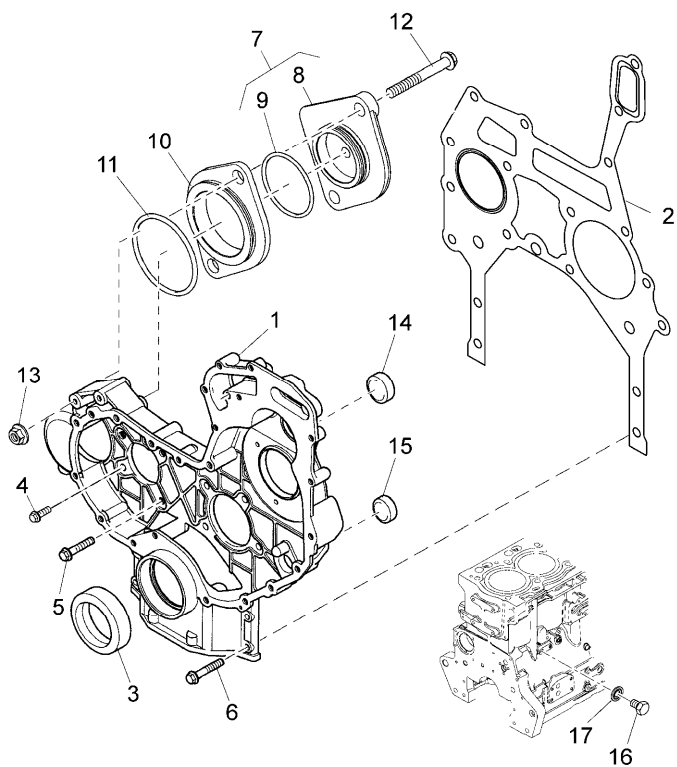
A-05  
16



A0516

Gasket sets

RS22\000015081.png



		Inglese
1	3716C581	1 Housing
2	3681P053	1 Gasket
3	2418F437	1 Seal
4	2314H003	6 Screw
5	2314H006	2 Screw
6	2314H034	4 Screw
7	4148K012	1 Plate
8	!	7
	➡	Ref.n.7
9	2415H515	1 Ring
10	3617A021	1 Disc
11	2415H516	1 O ring
12	2314J014	2 Screw
13	2318A604	2 Nut
14	2485A124	1 Plug
15	2485A124	1 Plug
16	2314C049	1 Screw
17	2415D053	1 Washer
!	This is a component of an assembly	
➡	Not serviced, order	
T-A	Replacement	

Engine

C-MAX Tier 3 (2008- ) - RS22 - 80

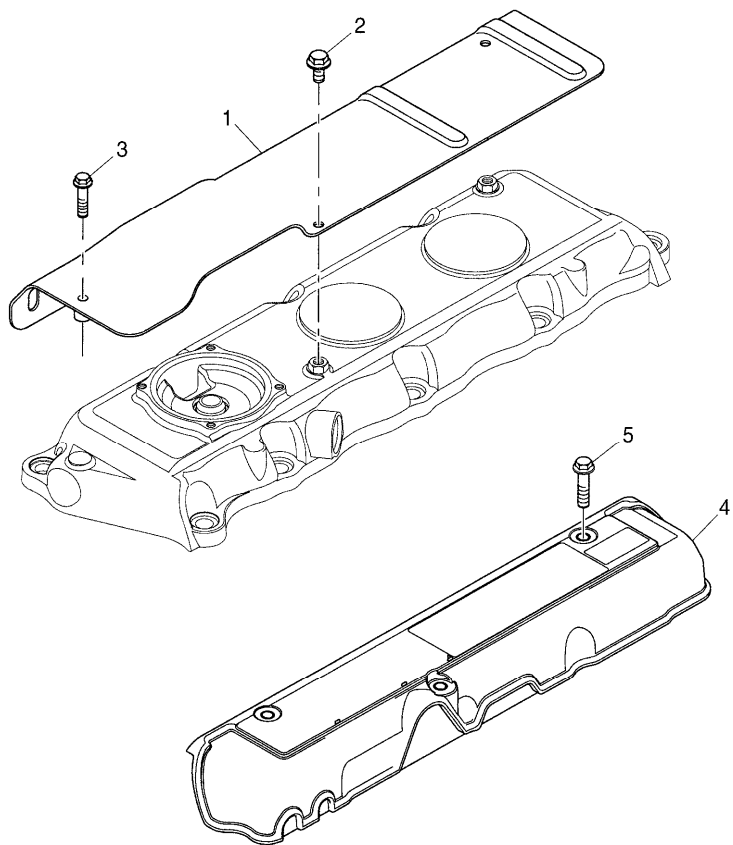
RS22\000020537.png

A-05  
17



A0517

Cylinder head cover



- 1 3812A026 T-A 0:25
  - 2 2314F001
  - 3 2314F006
  - 4 3788N003
  - 5 2314F003
- T-A Replacement

Inglese

- 1 Heatshield
- 2 Screw
- 1 Screw
- 1 Cover
- 3 Screw

**<https://www.ebooklibonline.com>**

Hello dear friend!

Thank you very much for reading.

Enter the link into your browser.

The full manual is available for immediate download.

**<https://www.ebooklibonline.com>**