

Engine

C-MAX Tier 3 (2008-) - RS22 - 75

RS22\000020625.png

A-05
01

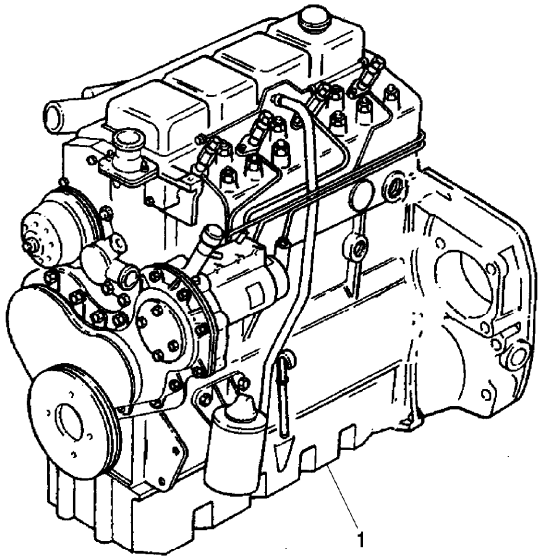


A0501

Engine assembly

1 3692625M92

Inglese
1 Engine



Engine

C-MAX Tier 3 (2008-) - RS22 - 75

RS22\000015152.png

A-05
02



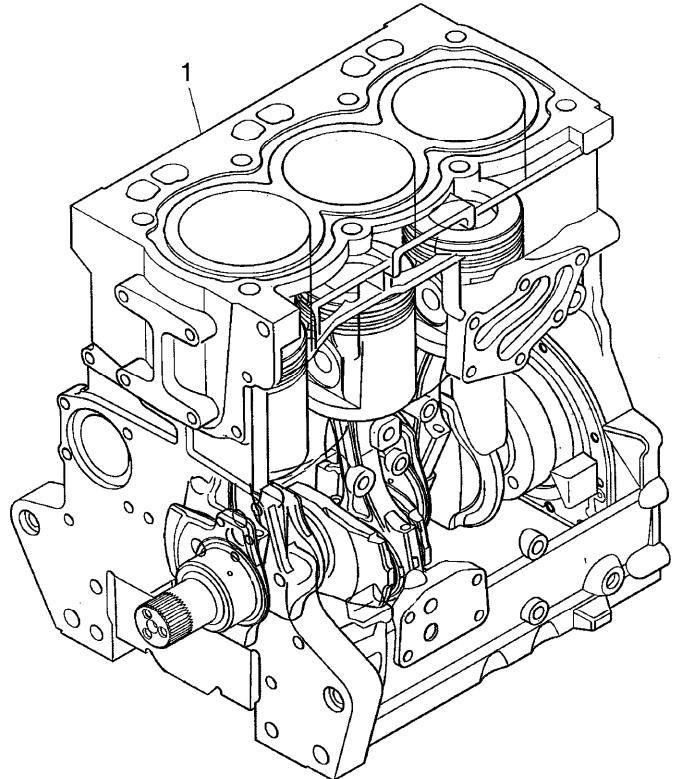
A0502

Short engine

1 XM40012

Inglese

1 Cylinder block



Engine

C-MAX Tier 3 (2008-) - RS22 - 75

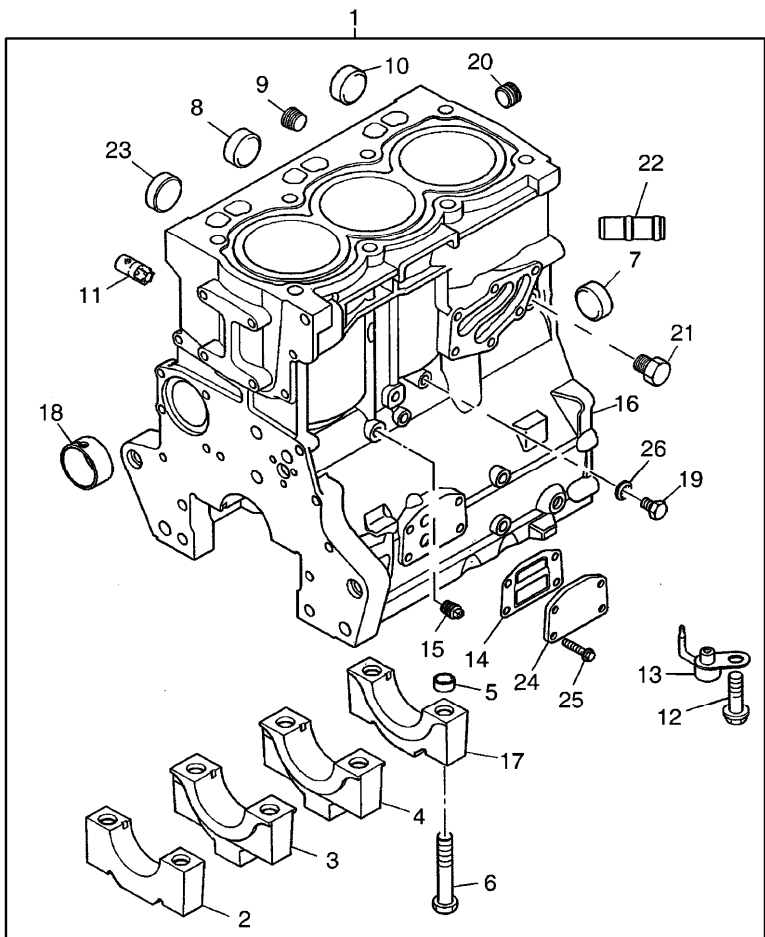
A-05
03



A0503

Cylinder block

RS22\000015153.png



1	4181V016	T-A	27:0
2		!	1
		➡	Ref.n.1
3		!	1
		➡	Ref.n.1
4		!	1
		➡	Ref.n.1
5	33142111	!	1
6	32166329	!	1
7	3241A012	!	1
8	3241A011	!	1
9	0650588	!	1
		T-A	0:25
10	0650710	!	1
		T-A	0:25
11	3212V006	!	1
12	2314F001	!	1
13	2113A003	!	1
14	3688A039	!	1
15	0650594	!	1
16		!	1
		➡	Ref. n. 1
17		!	1
		➡	Ref. n. 1

Inglese

1	Cylinder block
1	Bearing
1	Bearing
1	Bearing
8	Manicott
8	Screw
1	Plug
2	Plug
1	Plug
1	Plug
1	Plug
3	Screw
3	Atomiser
2	Gasket
1	Plug
1	Cylinder
1	Bearing

<https://www.ebooklibonline.com>

Hello dear friend!

Thank you very much for reading.

Enter the link into your browser.

The full manual is available for immediate download.

<https://www.ebooklibonline.com>

Engine

C-MAX Tier 3 (2008-) - RS22 - 75

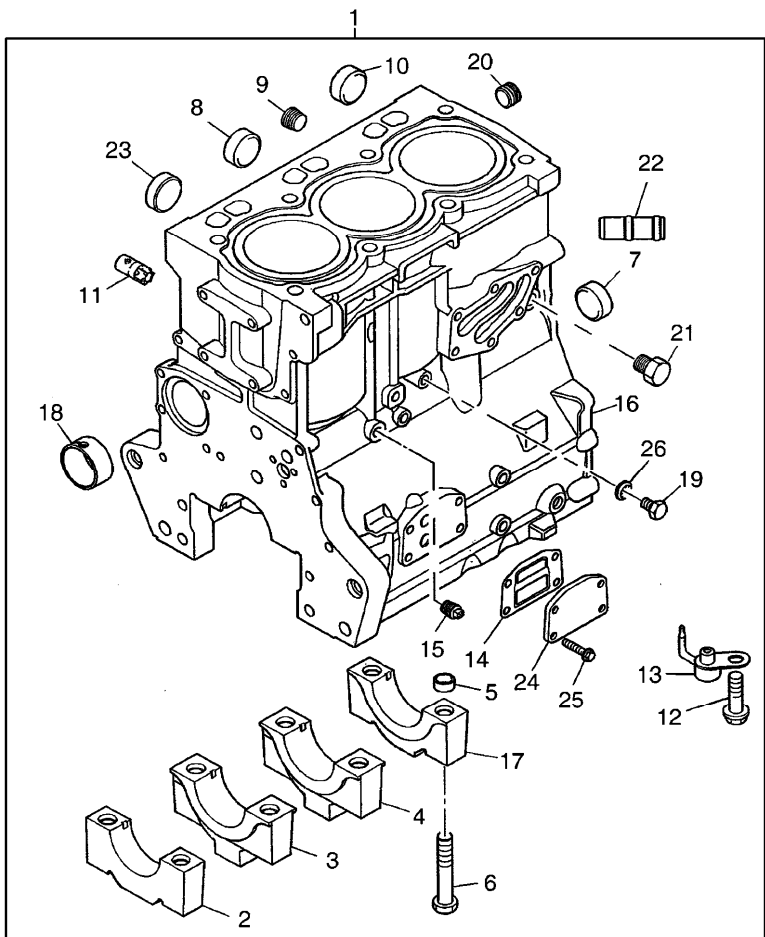
A-05
03



A0503

Cylinder block

RS22\000015153.png



18	3112D071	!	1
		●	3112D075(1)
19	2314C049	!	1
20	3212P008	!	1
21	32141316	!	1
22	3313A022	!	1
23	2485A108	!	1
24	3623A009	!	1
25	2314H033	!	1
26	2415D053		1

Inglese

1	Bush
1	Screw
1	Plug
1	Plug
1	Pipe
1	Plug
2	Plate
8	Screw
1	Washer

- ! This is a component of an assembly
- ▣ Not serviced, order
- Replacement
- T-A Replacement

Engine

C-MAX Tier 3 (2008-) - RS22 - 75

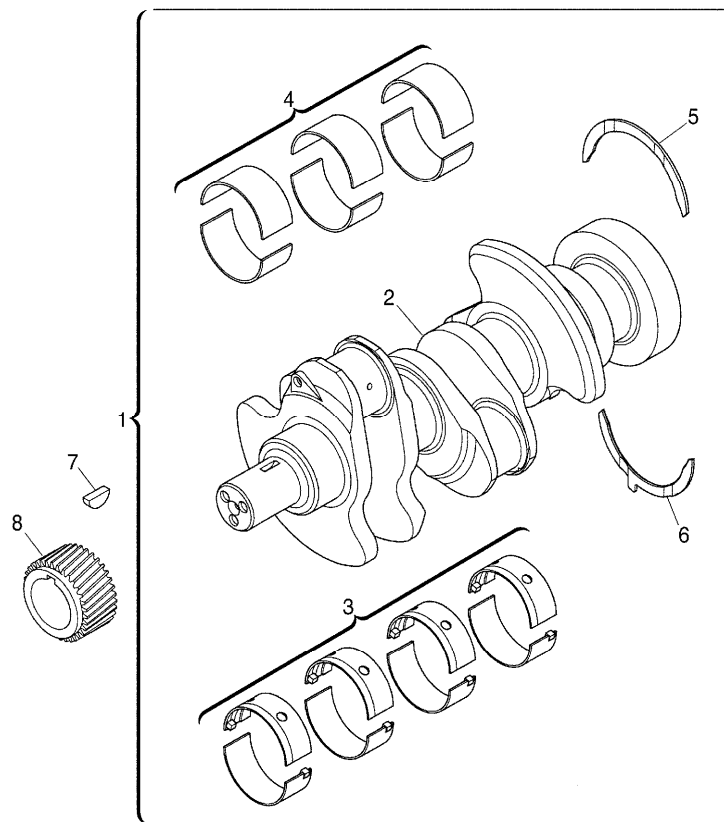
A-05
04



A0504

Camshaft

RS22\000020599.png



Inglese

1	4181V017	T-A	15:0	1	Shaft
2		!	1	1	Shaft
3	U5MB0019	➡	Ref.n.1	1	Kit
		!	1	1	Kit
		●	U5MB0037(1)		
		T-A	15:0		
4	U5ME0027	!	1	1	Kit
		●	U5ME0033(1)		
5	31137312	⚡	0.007"	2	Ring
		!	1		
		T-A	15:0		
5	31137551	!	1	2	Washer
		T-A	15:0		
6	31137322	!	1	2	Ring
		⚡	0.007"		
		T-A	15:0		
6	31137561	!	1	2	Washer
		T-A	15:0		
7	3117C221	T-A	10:0	1	Gear
8	0500012	T-A	10:0	1	Key

- ! This is a component of an assembly
- ➡ Not serviced, order
- ⚡ Shim
- Replacement
- T-A Replacement

Engine

C-MAX Tier 3 (2008-) - RS22 - 75

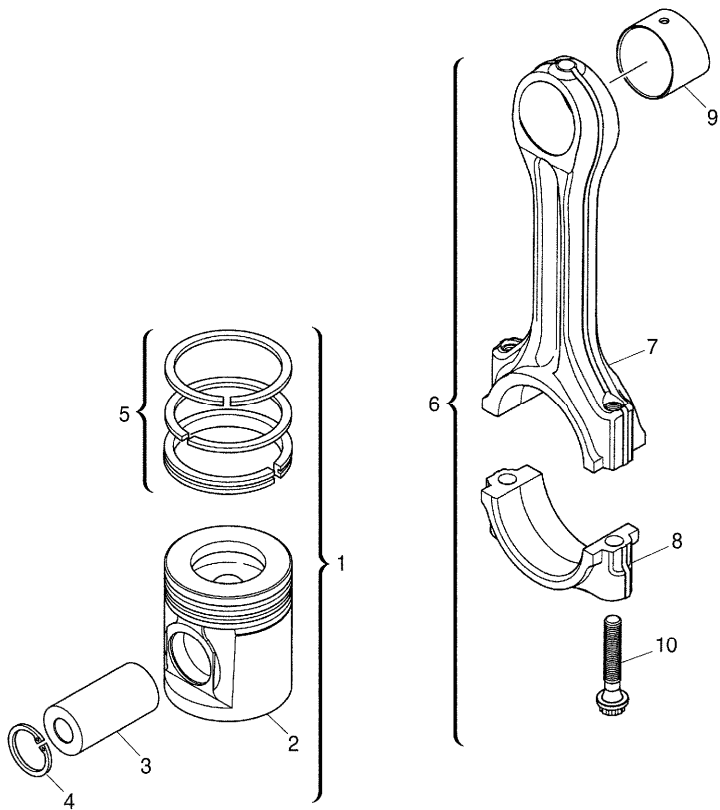
RS22\000020600.png

A-05
05



A0505

Pistons and connecting rods



		Inglese
1	U5PR0064	3 Kit
2	!	1 Piston
	➡ Ref.n.1	
3	!	1 Bush
	➡ Ref.n.1	
4	2721332	2 Ring
5	UPRK0003	1 Kit
6	4115C311	3 Kit
	➡ U491477 t	
	B	
	T-A 14:0	
6	4115C312	3 Kit
	➡ U491477 t	
	C	
	T-A 14:0	
6	4115C313	3 Kit
	➡ U491477 t	
	D	
	T-A 14:0	
6	4115C314	3 Kit
	➡ U491477 t	
	E	
	T-A 14:0	
6	4115C315	3 Kit
	➡ U491477 t	
	F	
	T-A 14:0	
6	4115C316	3 Kit
	➡ U491477 t	
	G	
	T-A 14:0	

Engine

C-MAX Tier 3 (2008-) - RS22 - 75

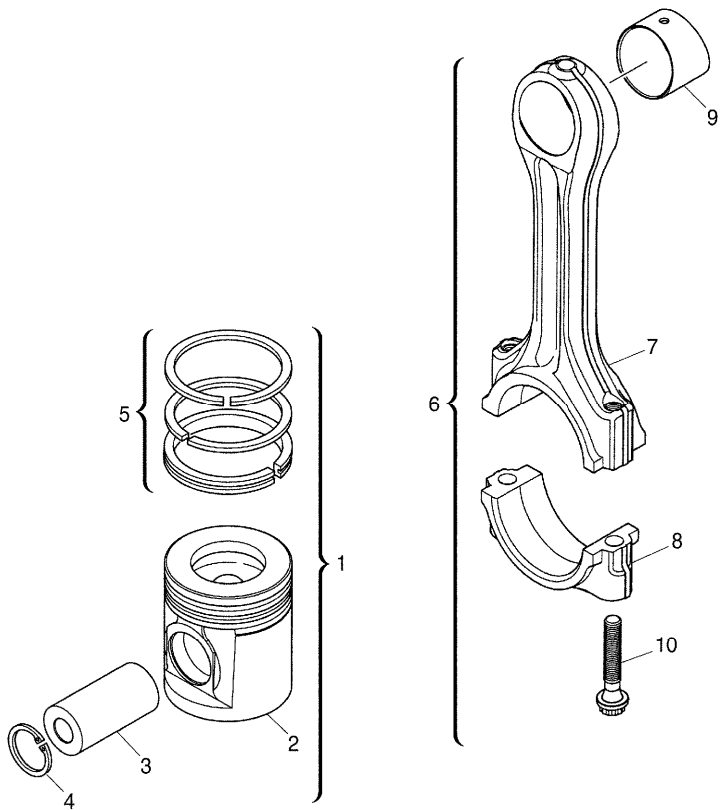
RS22\000020600.png

A-05
05



A0505

Pistons and connecting rods



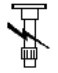
		Inglese	
6	4115C361	➡ U491478 t	3 Conrod
		B	
6	4115C362	➡ U491478 t	3 Conrod
		C	
6	4115C363	➡ U491478 t	3 Conrod
		D	
6	4115C364	➡ U491478 t	3 Conrod
		E	
6	4115C365	➡ U491478 t	3 Conrod
		F	
6	4115C366	➡ U491478 t	3 Conrod
		G	
7	!	6	1 Conrod
		➡ Ref.n.6	
8	!	6	1 Cap
		➡ Ref.n.6	
9	3112A005	!	6
		T-A 14:0	
10	3212V003	!	6
		A	

- ! This is a component of an assembly
- ➡ From serial or engine number
- ➡ Up to serial or engine number
- ➡ Not serviced, order
- T-A Replacement
- A Do not reuse once it has been removed
- B Red

Engine

C-MAX Tier 3 (2008-) - RS22 - 75

A-05
05

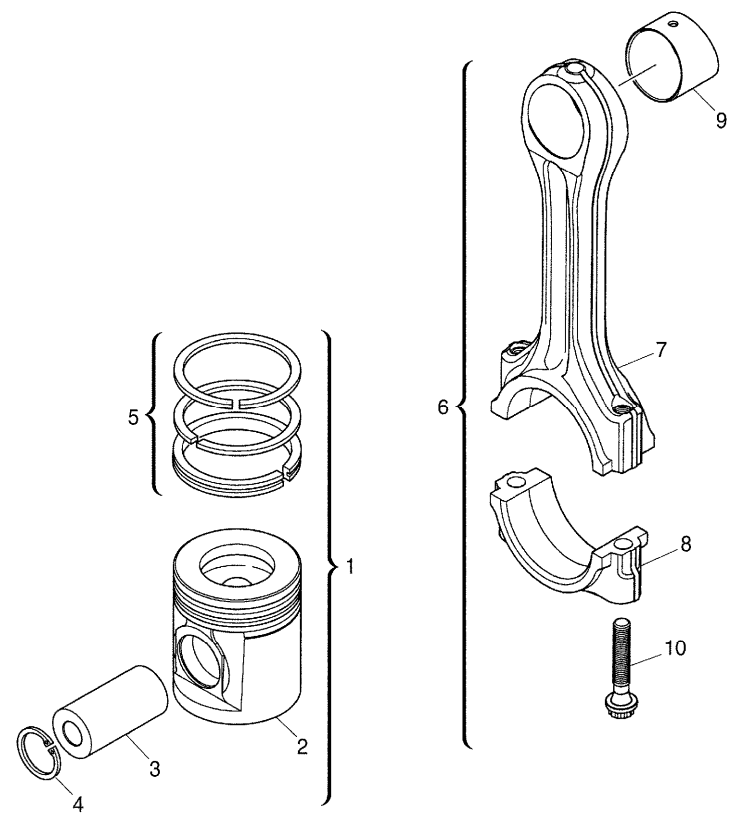


A0505

Pistons and connecting rods

RS22\000020600.png

- C Orange
- D White
- E Green
- F Purple
- G Blue



Engine

C-MAX Tier 3 (2008-) - RS22 - 75

RS22\000020598.png

A-05
06



A0506

End cover

1 2418F704 T-A 9:0

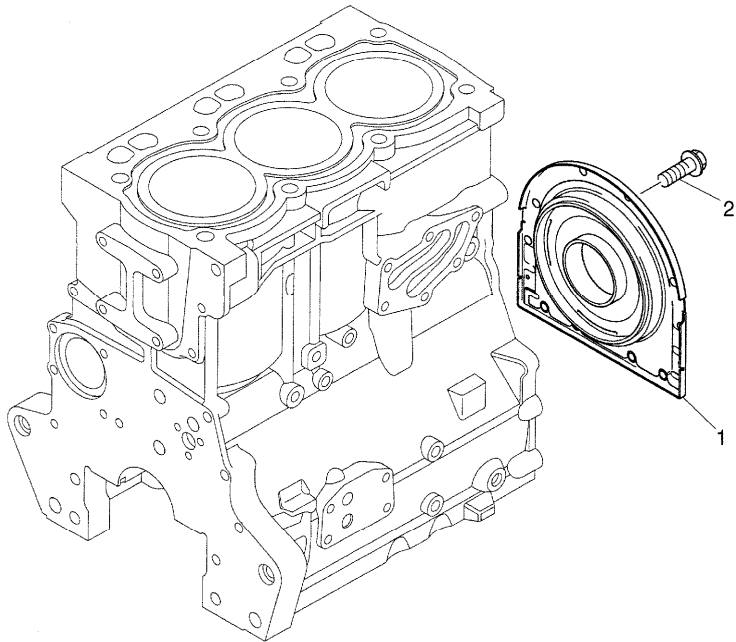
2 3211C002

T-A Replacement

Inglese

1 Housing

10 Screw



Engine

C-MAX Tier 3 (2008-) - RS22 - 75

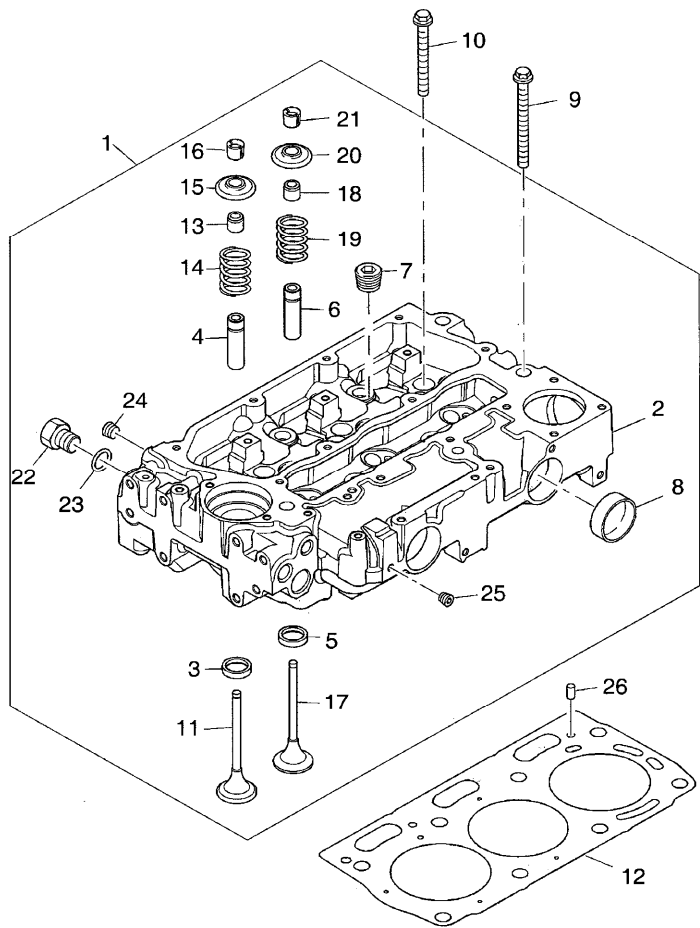
**A-05
07**



A0507

Cylinder head

RS22\000015154.png



1	ZZ80282		
2		!	1
3	3314A241	!	1
4	3313A012	!	1
5	3314A231	!	1
6	3313A012	!	1
7	0650588	!	1
8	32416117	!	1
9	3218A012		
10	3218A011		
11	3142H111	!	1
12	3681E049		
13	2418M519	!	1
	A		
14	3174A031	!	1
	● T417479(3)		
15	3342A021	!	1
16	2714A002	!	1
17	3142A171	!	1
18	2418M517	!	1
	B		
19	3174A031	!	1
	● T417479(3)		
20	3342A021	!	1

Inglese

1	Cylinder head
1	Cylinder head
3	Insert
3	Insert
3	Insert
3	Insert
3	Plug
3	Plug
3	Screw
5	Screw
3	Valve
1	Gasket
3	Ring
3	Spring
3	Coperch.
6	Collar
3	Valve
3	Ring
3	Spring
3	Coperch.

Engine

C-MAX Tier 3 (2008-) - RS22 - 75

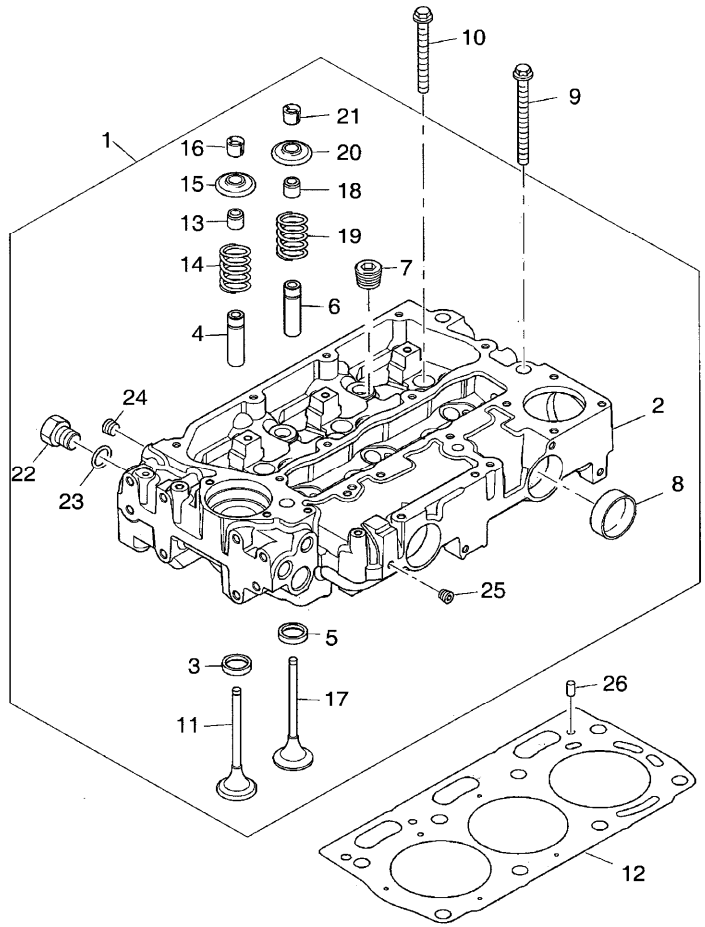
RS22\000015154.png

A-05
07



A0507

Cylinder head



- 21 2714A002 ! 1
- 22 3278A006 ! 1
- 23 2415H003 ! 1
- 24 2431154 ! 1
- 25 2431154 ! 1
- 26 3244A009 2

Inglese

- 6 Collar
- 1 Plug
- 1 Ring
- 1 Plug
- 1 Plug
- 2 Dowel

- ! This is a component of an assembly
- Not serviced, order
- Replacement
- A Green
- B Brown

Engine

C-MAX Tier 3 (2008-) - RS22 - 75

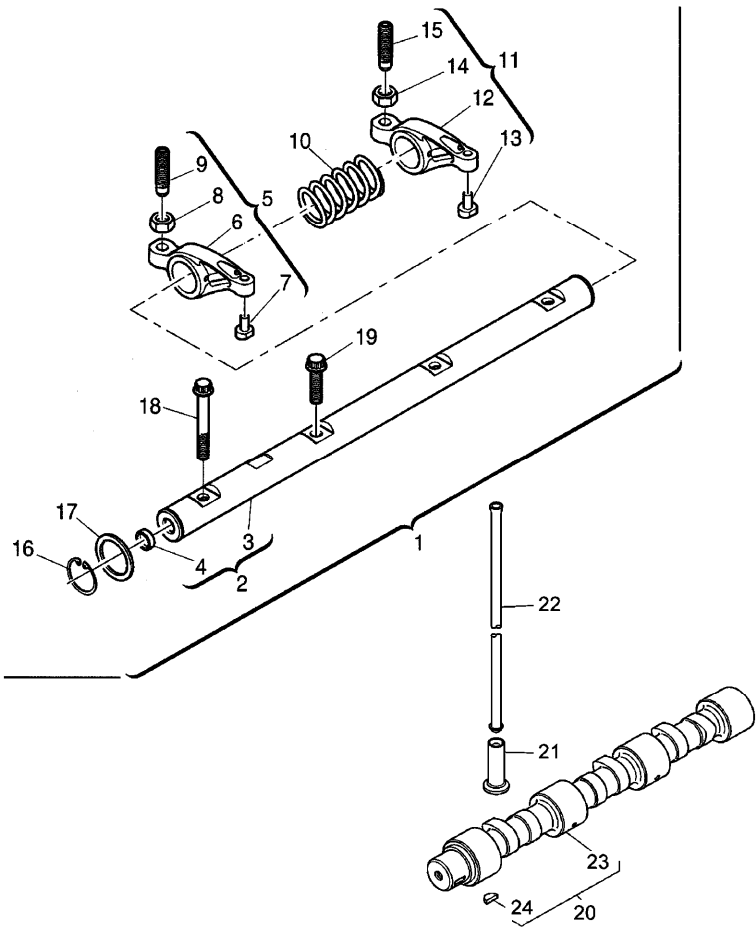
RS22\000015155.png

A-05
08



A0508

Rocker shaft



		Inglese
1	4115R614	1 Rocker
2	4115R702	1 Shaft
	T-A 4:0	
3		1 Rockerarm
	➡ Ref.n.2	
4	2485A104	2 Plug
5	4115R319	3 Lever
6		1 Rocker
	➡ Ref.n.5	
7		1 Pad
	➡ Ref.n.5	
8	3331A006	1 Nut
9	3211C004	1 Screw
10	3174A015	2 Spring
	T-A 4:0	
11	4115R318	3 Lever
12		1 Rocker
	➡ Ref.n.11	
13		1 Pad
	➡ Ref.n.11	
14	3331A006	1 Nut
15	3211C004	1 Screw
16	2722A022	2 Ring
17	2134A502	2 Washer
18	2316A901	1 Screw

Engine

C-MAX Tier 3 (2008-) - RS22 - 75

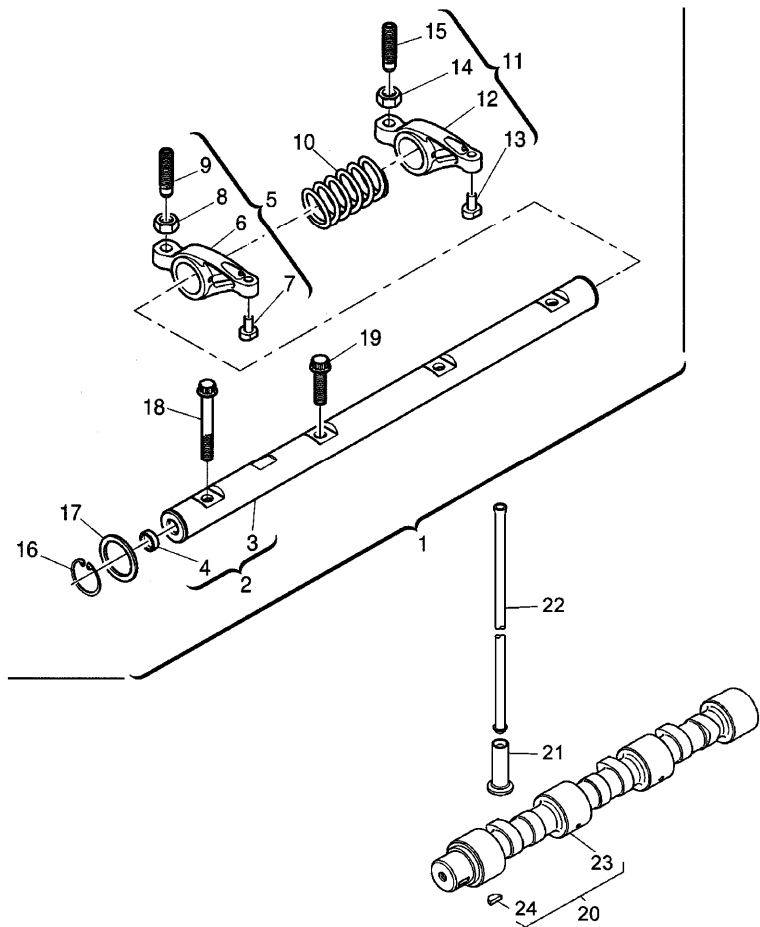
RS22\000015155.png

A-05
08



A0508

Rocker shaft



Inglese

19	2316A902	!	1	2	Screw
20	4112K034			1	Shaft
21	3142U061			6	Tappet
22	3142V011			6	Rod
23		!	20	1	Shaft
		➡	Ref. n.20		
24	0500012	!	20	1	Key

! This is a component of an assembly
 ➡ Not serviced, order
 T-A Replacement

Engine

C-MAX Tier 3 (2008-) - RS22 - 75

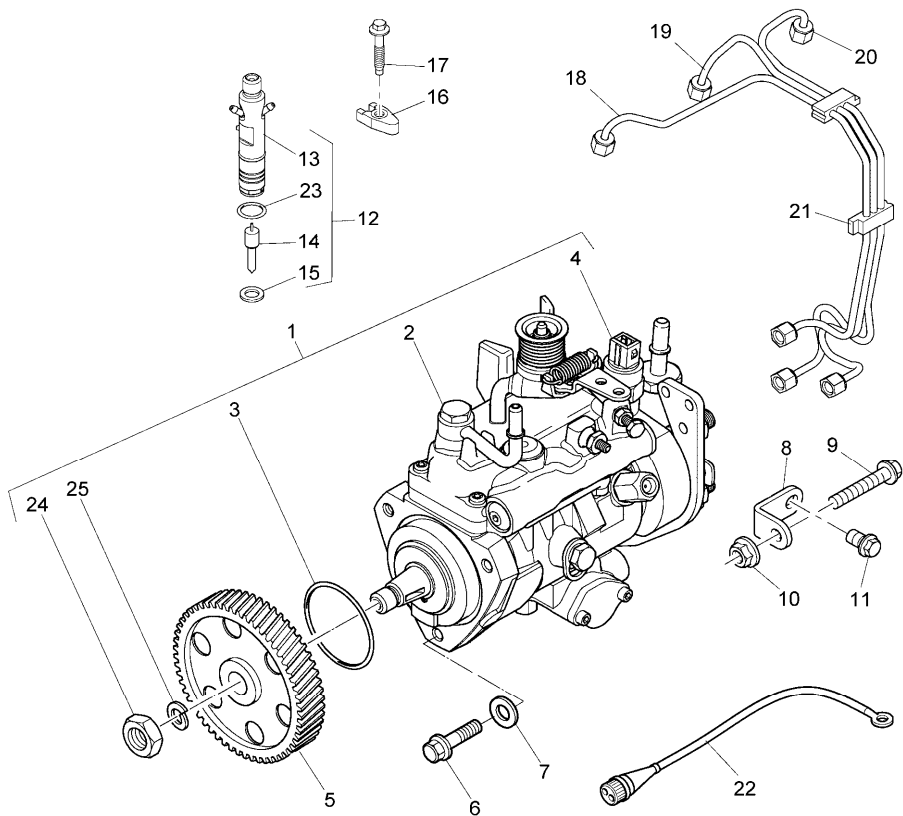
RS22\000015156.png

A-05
09



A0509

Fuel injection equipment (diesel)



		Inglese
1	2643B345/22	1 Pump
2	! 1	1 Pump
	➡ Ref.n.1	
3	26420318 ! 1	1 Ring
	T-A 4:50	
4	26420469 ! 1	1 Solenoid
	(X) 1.2.5.	
	T-A 0:25	
	T-A 4:50	
5	3117L261	1 Gear
6	2314H004	3 Screw
7	2411D008	3 Washer
8	3641A007	1 Stirrup
9	2314H003	1 Screw
9	2314H004	1 Screw
10	2318A603	1 Nut
11	2314J002	1 Screw
12	2645K016 T-A 2:0	3 Atomiser
12	2645K031	3 Nozzle
13	! 12	1 Atomiser
	➡ Ref.n.12	
14	! 12	1 Nozzle
	➡ Ref. n.12	
15	L311FF02 ! 12	1 Washer
	T-A 2:0	

Engine

C-MAX Tier 3 (2008-) - RS22 - 75

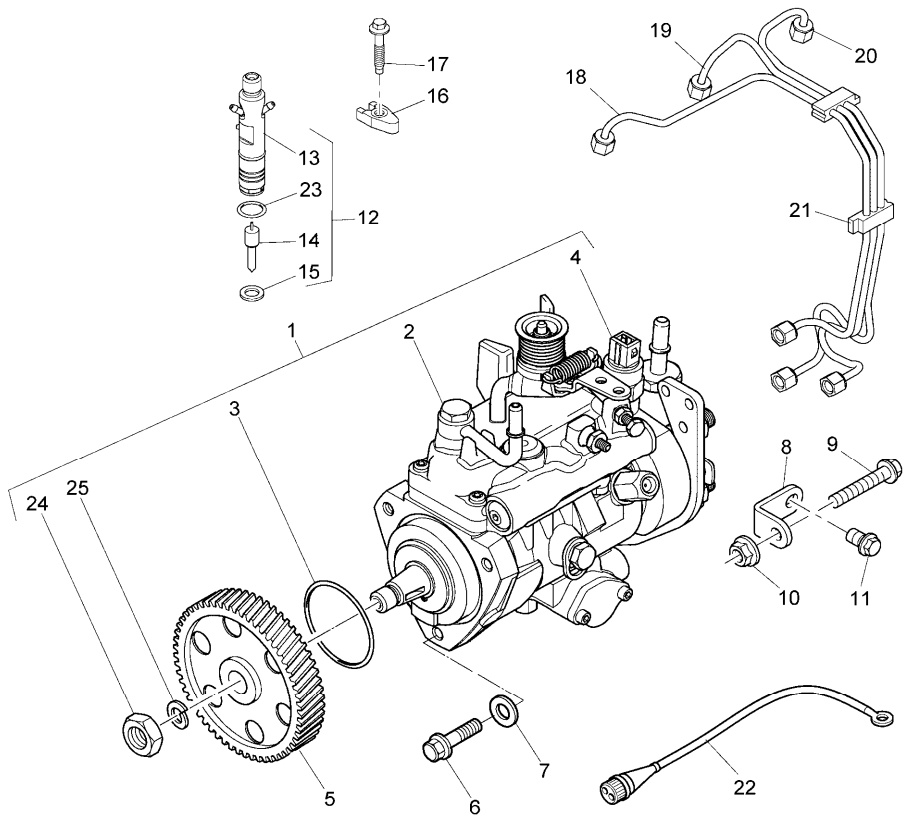
RS22\000015156.png

A-05
09



A0509

Fuel injection equipment (diesel)



				Inglese
16	3751A241	(X)	1.4.8.1	3 Clamp
			T-A 2:0	
17	2314W009			3 Screw
18	3525A114			1 Pipe
19	3525A115			1 Pipe
20	3525A116			1 Pipe
21	2646E018			2 Clip
22	3673286M91		"bosch"	1 Cable
23	26460064	!	12	1 Ring
24	2318A108	!	1	1 Nut
25	K134AF01	!	1	1 Washer

! This is a component of an assembly

▣ Not serviced, order

(X) Qty per tractors sold (aa.bbb.ccc.ddd) (aa) for 1,(bbb) 2-10 (ccc) 11-25 (ddd) 26-50

T-A Replacement

Engine

C-MAX Tier 3 (2008-) - RS22 - 75

RS22\000015170.png

A-05
10



A0510

Sensor pickup

1 2848A127 T-A 0:50

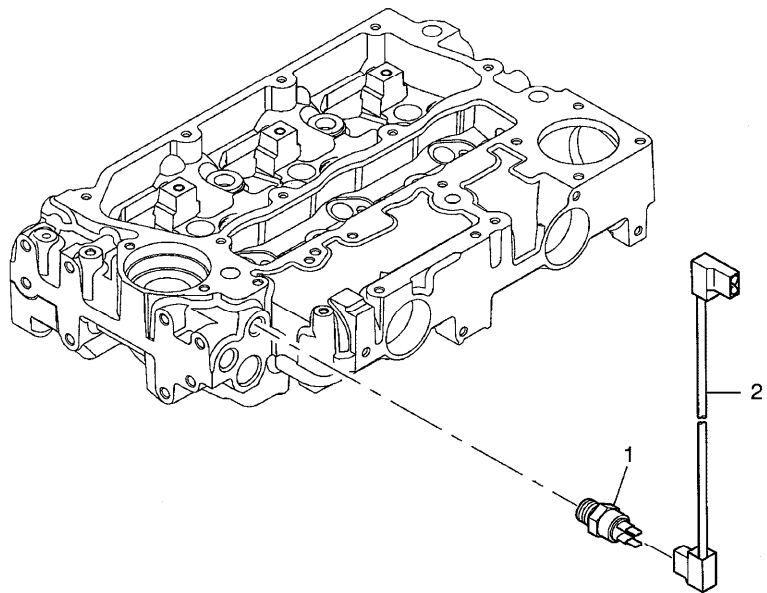
2 3161C017 T-A 0:50

T-A Replacement

Inglese

1 Sensor

1 Cable



Engine

C-MAX Tier 3 (2008-) - RS22 - 75

RS22\000020531.png

A-05
11



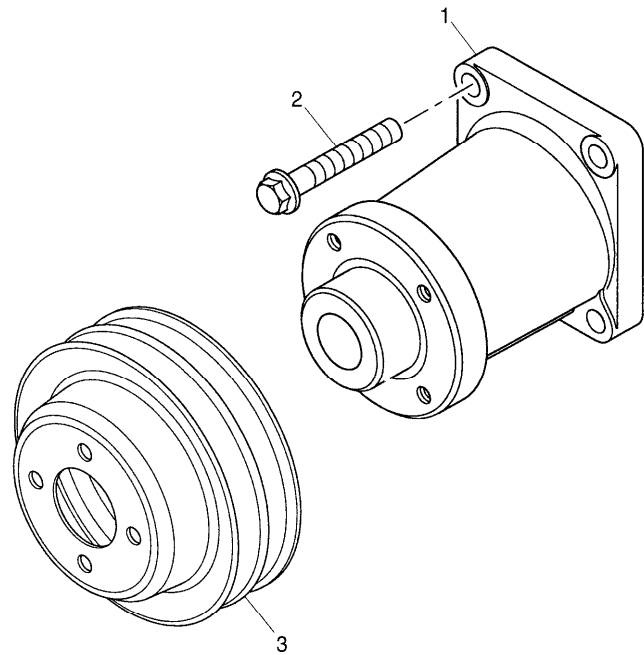
A0511

Fan-type pulley

Inglese

- 1 4113K005 T-A 1:75
 - 2 2314J005
 - 3 3115C161 T-A 1:50
- T-A Replacement

- 1 Housing
- 4 Screw
- 1 Pulley



Engine

C-MAX Tier 3 (2008-) - RS22 - 75

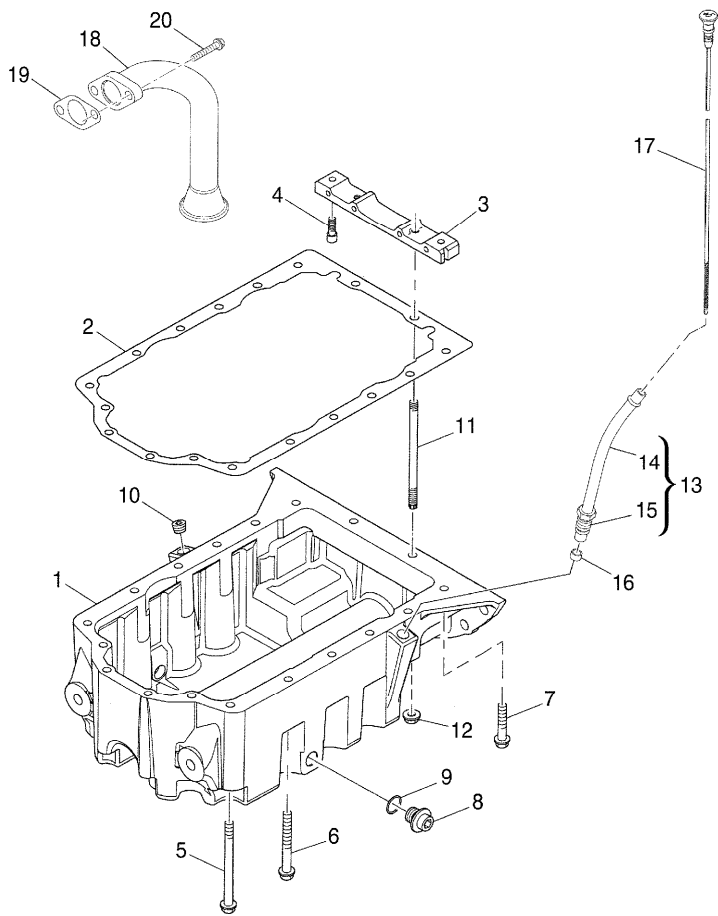
RS22\000020608.png

A-05
12



A0512

Lubricating oil sump



1	3717C142		
2	3681K038	(X) 1.5.8.1	
		T-A 1:50	
3	3627P041	T-A 1:50	
4	2311D039		
5	2314H022	● 2314H052(6)	
6	2314H015		
7	2314K159		
8	32186405	T-A 0:25	
9	2415715	T-A 0:25	
10	2431A016		
11	3211P022		
12	2318A603		
13	3577A125	T-A 0:25	
14		! 13	
		➡ Ref.n.13	
15		! 13	
		➡ Ref. n.13	
16	33812116		
17	3178C182	➡ 01/02/08	
		A	
		B	
18	3575A064	T-A 1:50	
19	36832137	T-A 1:50	
20	2314H004		

Inglese

1	Sump
1	Gasket
1	Crosspiece
2	Screw
6	Screw
8	Screw
2	Screw
2	Plug
2	Ring
1	Plug
2	Stud
2	Nut
1	Pipe
1	Pipe
1	Nut
1	Olive
1	Rod
1	Pipe
1	Gasket
2	Screw

Engine

C-MAX Tier 3 (2008-) - RS22 - 75

RS22\000020608.png

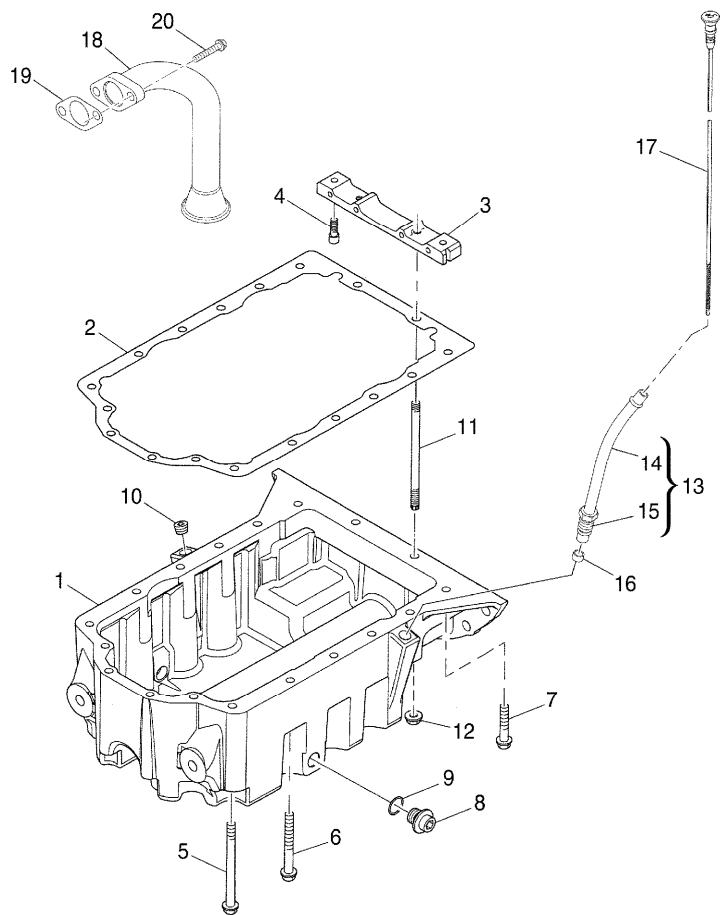
A-05
12



A0512

Lubricating oil sump

- ! This is a component of an assembly
- ➔ From serial or engine number
- 🔧 Not serviced, order
- Replacement
- (X) Qty per tractors sold (aa.bbb.ccc.ddd) (aa) for 1,(bbb) 2-10 (ccc) 11-25 (ddd) 26-50
- T-A Replacement
- A For market "ue"
- B For market "epa"



Engine

C-MAX Tier 3 (2008-) - RS22 - 75

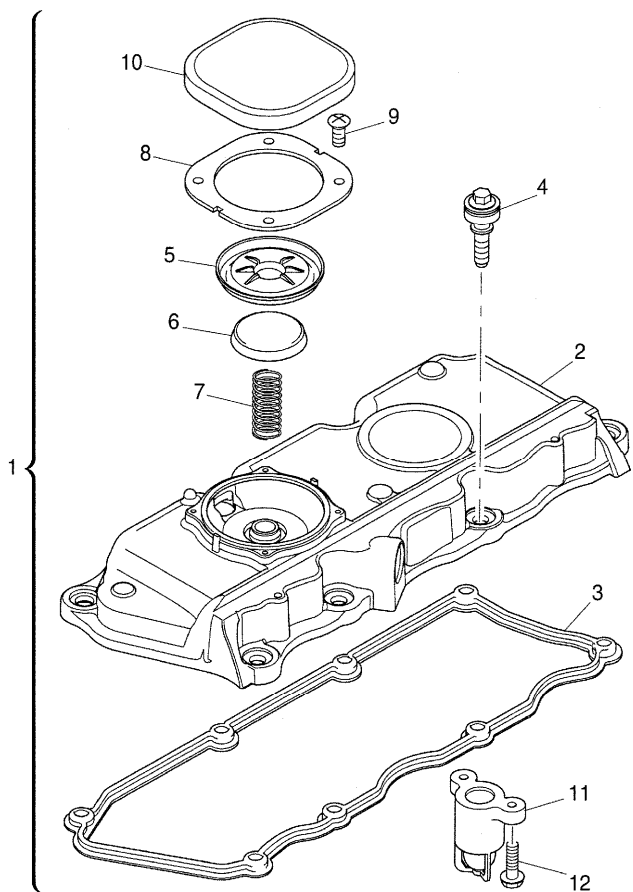
**A-05
13**



A0513

Cylinder head cover

RS22\000020609.png



		Inglese
1	4142X392	1 Coperch.
2	!	1 Cover
	➡ Ref.n.1	
3	3681A057	1 Gasket
	(X) 1.2.5.1	
	T-A 1:0	
4	!	8 Screw
	➡ Ref. n.1	
5	3789A001	1 Diaphragm
	T-A 0:25	
6	3788A002	1 Cap
	T-A 0:25	
7	3174A017	1 Spring
	T-A 0:25	
8	3615A009	1 Plate
	T-A 0:25	
9	2152A034	4 Screw
10	3788A003	1 Cap
	T-A 0:25	
11	2652A019	1 Valve
	T-A 1:0	
12	2314D106	2 Screw
	!	This is a component of an assembly
	➡	Not serviced, order
	(X)	Qty per tractors sold (aa.bbb.ccc.ddd) (aa) for 1,(bbb) 2-10 (ccc) 11-25 (ddd) 26-50
	T-A	Replacement

Engine

C-MAX Tier 3 (2008-) - RS22 - 75

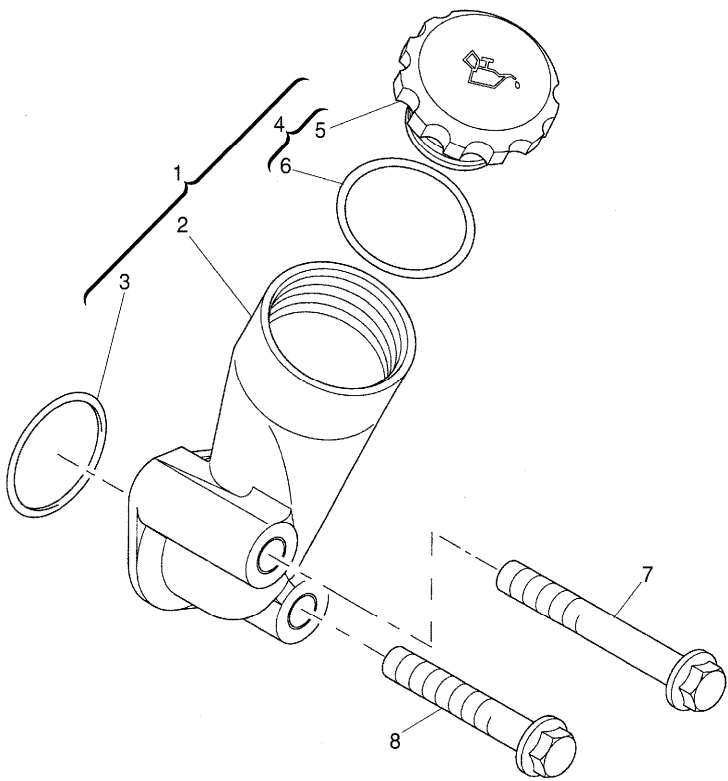
RS22\000020610.png

A-05
14



A0514

Filler



		Inglese	
1	4134C019	● N.L.S.(1) T-A 0:25	1 Filler
2		! 1	1 Body
3	2415B121	➡ Ref.n.1 ! 1 T-A 0:25	1 O ring
4	4142X098	! 1 T-A 0:25	1 Plug
5		! 4 ➡ Ref.n.4	1 Plug
6	2415633	! 4 T-A 0:25	1 O ring
7	2314K161		1 Screw
8	2314H008		1 Screw
!		This is a component of an assembly	
➡		Not serviced, order	
●		Replacement	
T-A		Replacement	

Engine

C-MAX Tier 3 (2008-) - RS22 - 75

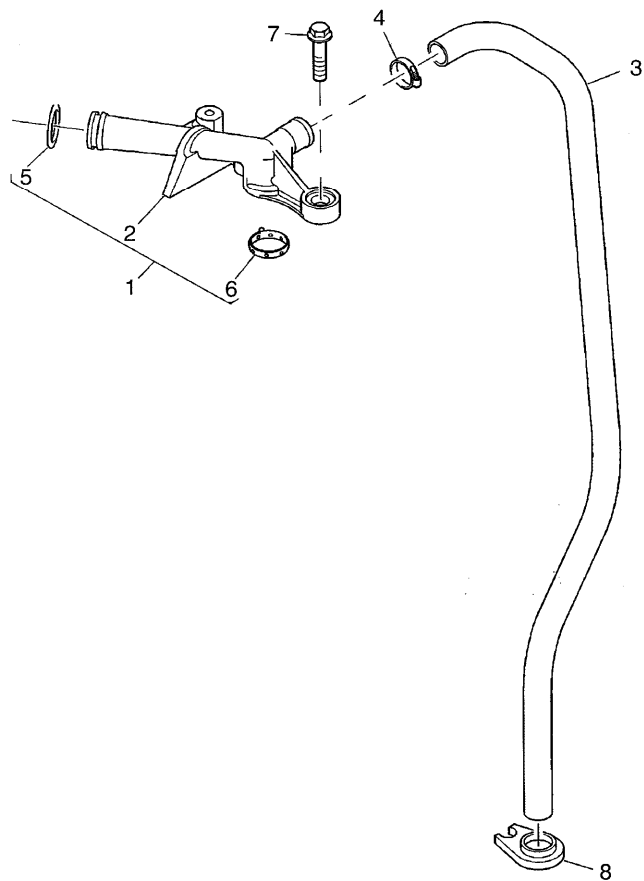
RS22\000015157.png

A-05
15



A0515

Breather



		Inglese
1	4134K022	1 Pipe
2	! 1	1 Pipe
	➡ Ref.n.1	
3	3482V094	1 Pipe
4	2481863 ● 21825195(1)	1 Clamp
5	2415A068 ! 1	1 Ring
	T-A 0:50	
6	2415H701 ! 1	1 Ring
	➡ 01/02/08	
	A	
	B	
7	2314F005 ➡ 01/02/08	2 Screw
	A	
	B	
8	36241123	1 Support
!	This is a component of an assembly	
➡	From serial or engine number	
➡	Not serviced, order	
●	Replacement	
T-A	Replacement	
A	For market "ue"	
B	For market "epa"	

Engine

C-MAX Tier 3 (2008-) - RS22 - 75

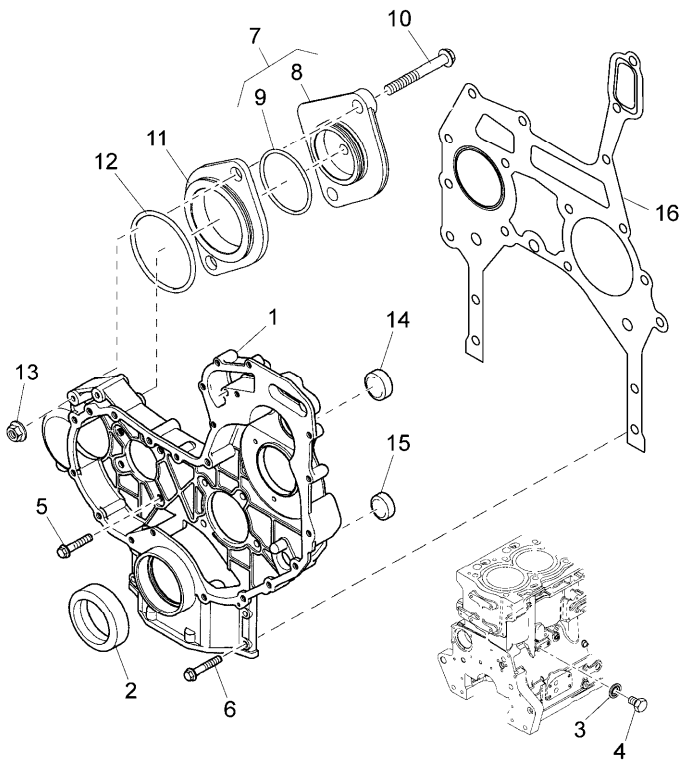
RS22\000015158.png

**A-05
16**



A0516

Gasket sets



		Inglese
1	3716C581	1 Housing
2	2418F437	1 Seal
3	2415D053	1 Washer
4	2314C049	1 Screw
5	2314H003	8 Screw
6	2314H034	4 Screw
7	4148K012	1 Plate
8	!	7
	➡	Ref.n.7
9	2415H515	! 7
10	2314J014	2 Screw
11	3617A021	T-A 4:75
12	2415H516	1 Disc
13	2318A604	1 O ring
14	2485A124	2 Nut
15	2485A124	T-A 4:75
16	3681P053	1 Plug
17	3681P053	1 Gasket
18	2314C049	1 Gasket
19	2415D053	1 Screw
	!	1 Washer
	!	This is a component of an assembly
	➡	Not serviced, order
	T-A	Replacement

Engine

C-MAX Tier 3 (2008-) - RS22 - 75

RS22\000020612.png

A-05
17



A0517

Cylinder head cover

1 3788N004 T-A 0:50

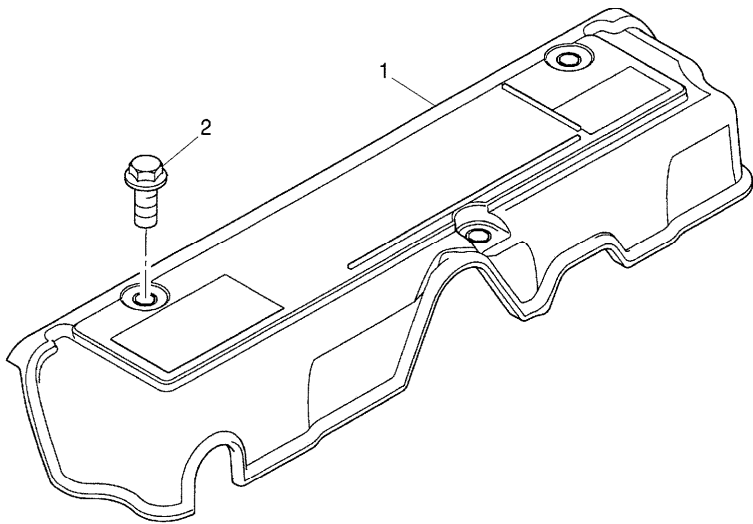
2 2314F003

T-A Replacement

Inglese

1 Guard

3 Screw



Engine

C-MAX Tier 3 (2008-) - RS22 - 75

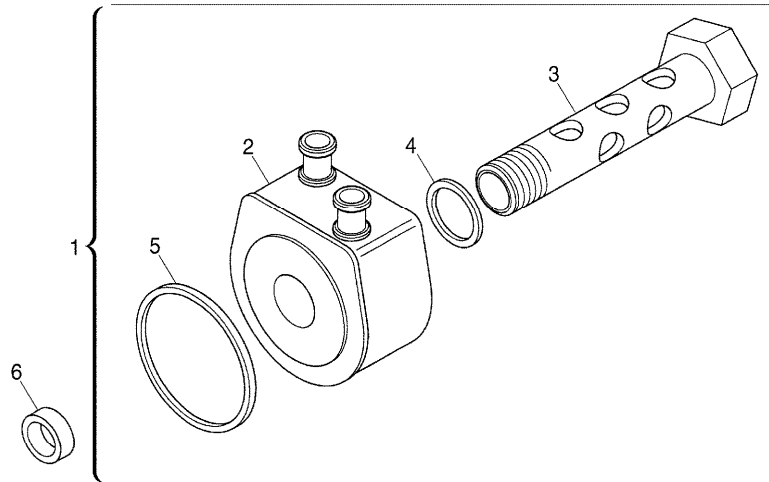
RS22\000020613.png

A-05
18



A0518

Oil radiator



		Inglese	
1	2486A221	● 2486A241(1) T-A 1:0	1 Cooler
2		! 1	1 Cooler
		➡ Ref.n.1	
3	2486A224	! 1 T-A 1:0	1 Adaptor
4	2411A524	! 1	1 Gasket
		● 2411A525(1)	
5	2486A223	! 1 (X) 1.2.5. T-A 1:0	1 Gasket
6	3311A042		1 Seal
	!	This is a component of an assembly	
	➡	Not serviced, order	
	●	Replacement	
	(X)	Qty per tractors sold (aa.bbb.ccc.ddd) (aa) for 1,(bbb) 2-10 (ccc) 11-25 (ddd) 26-50	
	T-A	Replacement	

Engine

C-MAX Tier 3 (2008-) - RS22 - 75

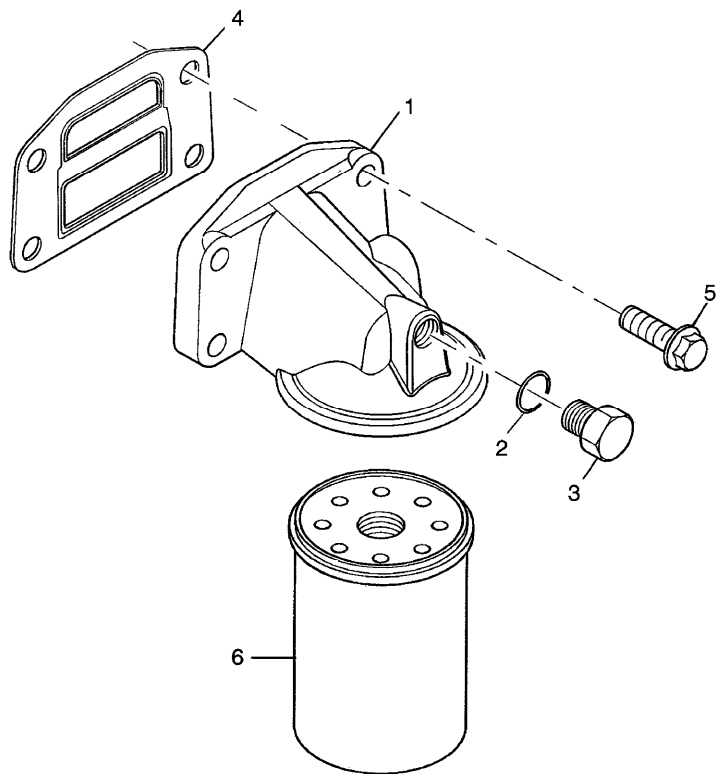
A-05
19



A0519

Lubricating oil filter

RS22\000015159.png



Inglese

- | | | | | | |
|---|----------|-----|------------|---|--------|
| 1 | 3773A061 | | | 1 | Head |
| 2 | 2415H009 | | | 1 | O ring |
| 3 | 3278A007 | | | 1 | Plug |
| 4 | 3688A039 | (X) | 2.5.8.1 | 1 | Gasket |
| | | | T-A 0:50 | | |
| 5 | 2314H034 | | | 4 | Screw |
| 6 | | ◊ | A-05 20 01 | 1 | Filter |

◊ See page - reference number

(X) Qty per tractors sold (aa.bbb.ccc.ddd) (aa) for 1,(bbb) 2-10 (ccc) 11-25 (ddd) 26-50

T-A Replacement



Suggest:

For more complete manuals. Please go to the home page.

<https://www.ebooklibonline.com>

If the above button click is invalid. Please download this document first, and then click the above link to download the complete manual.

Thank you so much for reading

Engine

C-MAX Tier 3 (2008-) - RS22 - 75

RS22\000015160.png

A-05
20

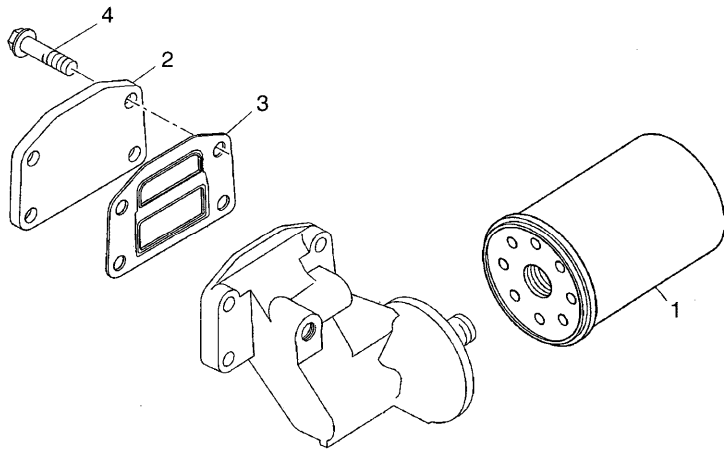


A0520

Closing plate

Inglese

1	2654403	(X)	1.3.5.1	1	Filter
			T-A 0:25		
2	3623A009	T-A	0:50	1	Plate
3	3688A039	T-A	0:50	1	Gasket
4	2314H033			4	Screw
(X)	Qty per tractors sold (aa.bbb.ccc.ddd) (aa) for 1,(bbb) 2-10 (ccc) 11-25 (ddd) 26-50				
T-A	Replacement				



Engine

C-MAX Tier 3 (2008-) - RS22 - 75

RS22\000014134.png

A-05
21



A0521

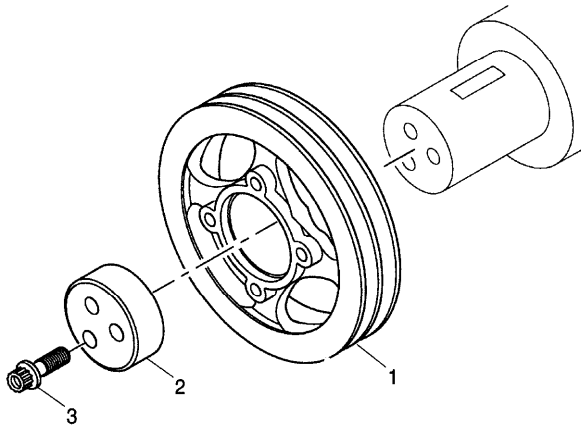
Front end drive input - auxiliary drive

- 1 3115T051 T-A 1:50
- 2 3241N001 T-A 1:50
- 3 32186137

T-A Replacement

Inglese

- 1 Pulley
- 1 Block
- 3 Screw



<https://www.ebooklibonline.com>

Hello dear friend!

Thank you very much for reading.

Enter the link into your browser.

The full manual is available for immediate download.

<https://www.ebooklibonline.com>